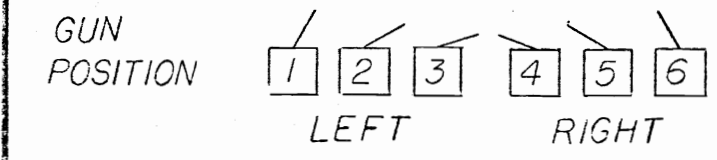
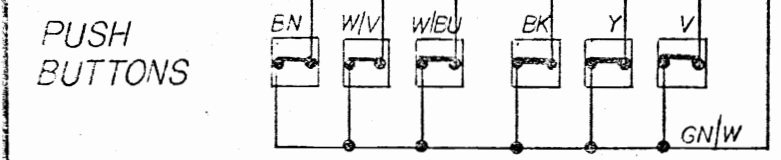
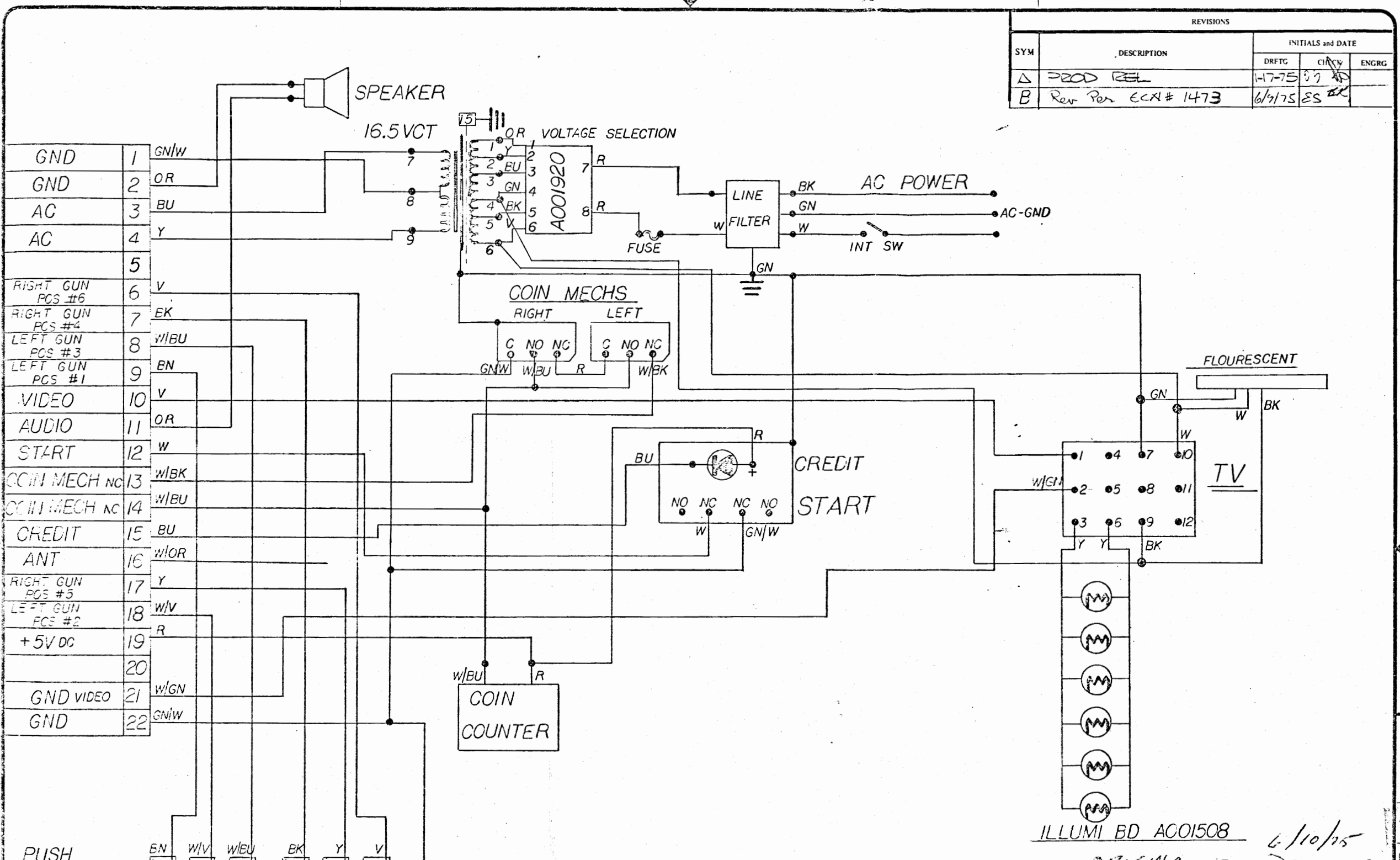


REVISIONS			
SYM	DESCRIPTION	INITIALS and DATE	
		DRFTG	ENGRG
A	PROD REL	1-17-75	ES
B	Rev Per ECA# 1473	6/9/75	ES



NOTICE TO ALL PERSONS RECEIVING THIS DRAWING
 CONFIDENTIAL: Reproduction Forbidden without the specific written permission of Atari Inc., Los Gatos, California. This drawing is only conditionally issued, and neither receipt nor possession thereof confers or transfers any right in, or license to use, the subject matter of the drawing or any design or technical information shown thereon, nor any right to reproduce this drawing or any part thereof, except for manufacture by vendors for Atari Incorporated and for manufacture under the corporation's written license, no right to reproduce this drawing is granted or the subject matter thereof unless by written agreement with or written permission from the corporation.

APPLICATION	ANTI-AIRCRAFT
NEXT ASSY	USED ON

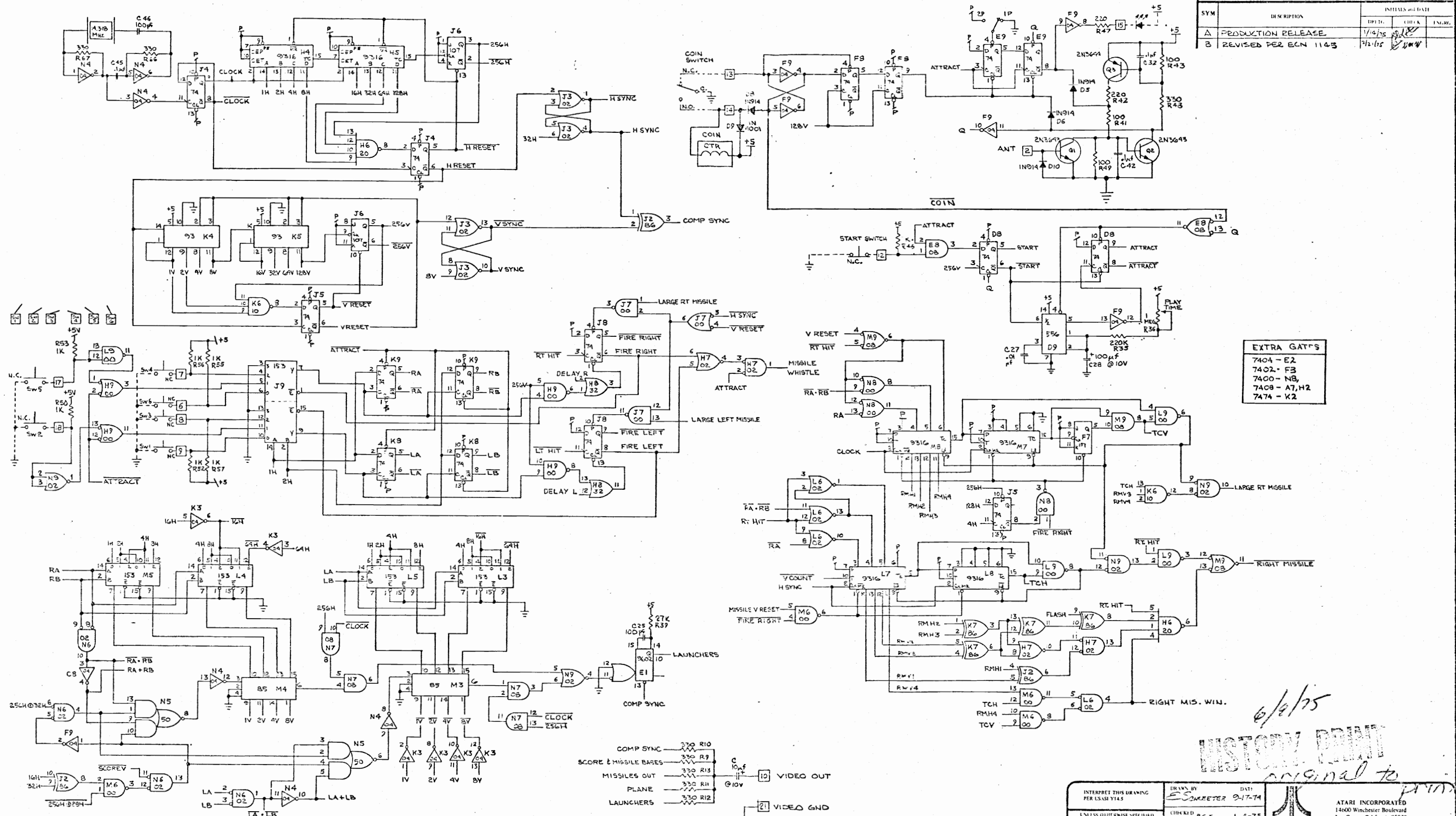
ILLUMI BD ACO1508
 ORIGINAL TO PRINTER
 6/10/75

INTERPRET THIS DRAWING PER USA1 Y14.5	DRAWN BY ELI	DATE 12/26/74	 ATARI INCORPORATED 14600 Winchester Boulevard Los Gatos, California 95030
UNLESS OTHERWISE SPECIFIED DIMENSIONS ARE IN INCHES TOLERANCES ON:	CHECKED	DESIGN ENGINEER <i>[Signature]</i>	
FRACTIONS = ±1/16 .x = ±.1	PROJECT ENGINEER	DOCUMENT CONTROL	TITLE ANTI-AIRCRAFT ELECTRIC DWG
ANGLES = ±1° .xx = ±.03	APPROVED <i>[Signature]</i>	SIZE C	DRAWING NO. 003001
SURFACE FINISH ✓.xxx = ±.010	MATERIAL:	SCALE	REV B
			SHEET 1 OF 1

D
 C
 B
 A

DRAWING NO
003001
 REV B

LABORATORY PRINT



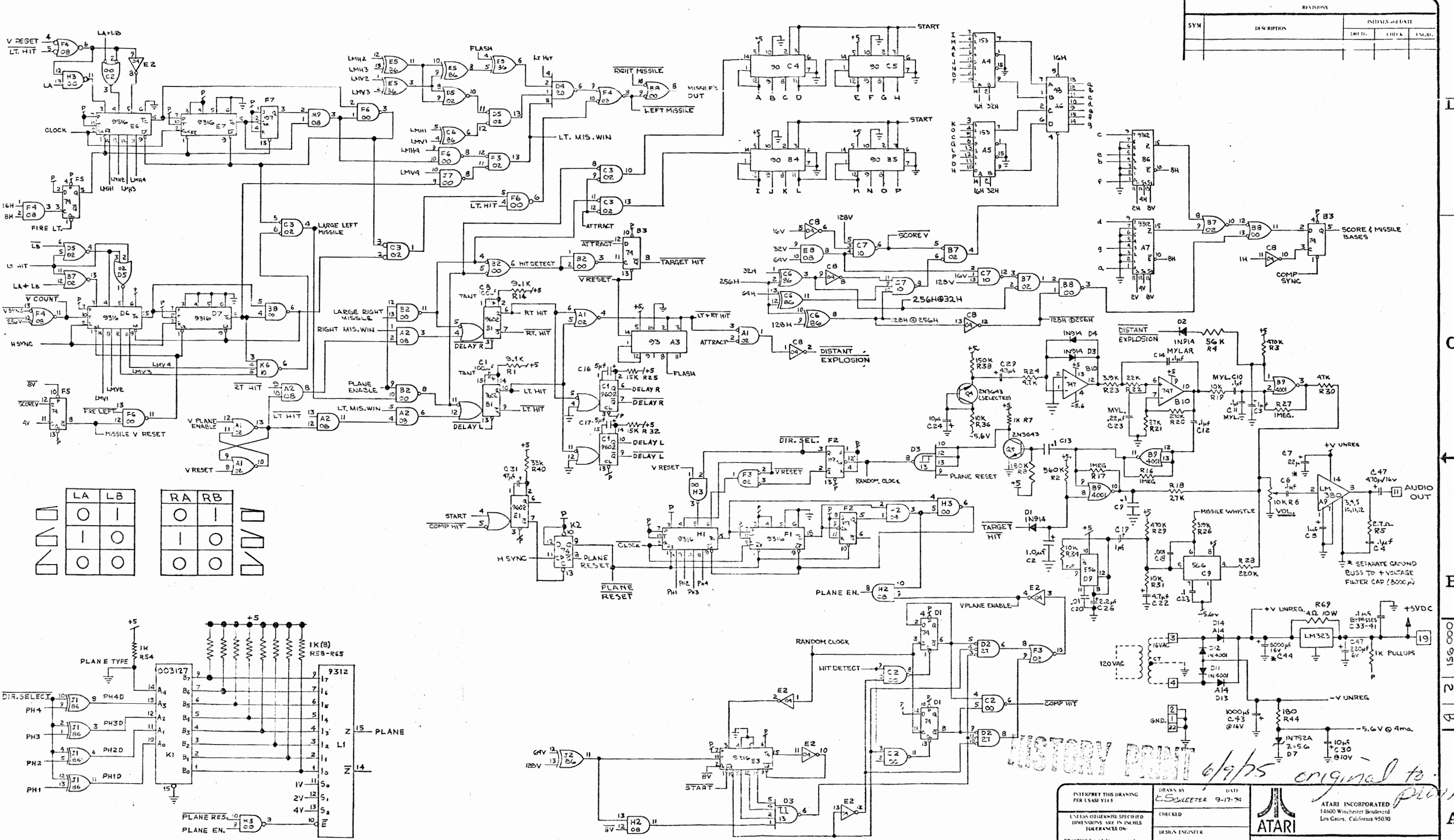
EXTRA GAT'S
 7404 - E2
 7402 - F3
 7400 - N8,
 7408 - A7, H2
 7474 - K2

6/8/75
 HISTORY PRINT
 original to printer

REVISIONS			INITIALS and DATE		
SYM	DESCRIPTION	DATE	CHK'D	ENGR.	
A	PRODUCTION RELEASE	1/14/75			
B	REVISED PER ECN 1143	1/21/75			

INTERPRET THIS DRAWING PER LSAS 1145 UNLESS OTHERWISE SPECIFIED DIMENSIONS ARE IN INCHES TOLERANCES ON FRACTIONS - +.016 .0003 ANGLES - 1/8° .0003 SURFACE FINISH - .0005 A .010 MATERIAL:	DRAWN BY E. S. SWEETER 9-17-74	DATE 1-6-75	ATARI INCORPORATED 14600 Winchester Boulevard Los Gatos, California 95030		
	DESIGN ENGINEER [Signature]	PROJECT ENGINEER [Signature]		TITLE SCHEMATIC DIAGRAM ANTI-AIRCRAFT - II	
	APPROVED [Signature]	SIZE D		DRAWING NO. 000 951	REV B
	NOTICE TO ALL PERSONS RECEIVING THIS DRAWING CONFIDENTIAL - Reproduction without the specific written permission of Atari, Inc. is prohibited. The drawing is the property of Atari, Inc. and neither it nor the information contained herein is to be disclosed to any third party without the prior written consent of Atari, Inc. The design or technical information shown herein is the property of Atari, Inc. and is to be held in confidence. It is to be used only for the purposes intended by Atari, Inc. and is not to be reproduced, in whole or in part, for any other purpose without the prior written consent of Atari, Inc.			SHEET 1	OF 2

DRAWING NO. 000 951 SHEET 1 OF 2



REVISIONS		
SYM	DESCRIPTION	INITIALS and DATE

INTERPRET THIS DRAWING PER ASSY 1145 UNLESS OTHERWISE SPECIFIED DIMENSIONS ARE IN INCHES TOLERANCES ON:	DRAWN BY C. SWEETER 9-17-74	ATARI INCORPORATED 14600 Winchester Boulevard Los Gatos, California 95030
	CHECKED DESIGN ENGINEER	
FRACTIONS - 1/16 1/8 1/4 1/2 3/4 ANGLES - 15 30 45 60 90 SURFACE FINISH - XXX - 010	PROJECT ENGINEER DOCUMENT CONTROL	SIZE D 000 951
MATERIAL	APPROVED	SHEET 2 OF 2

NOTICE TO ALL PERSONS REFERENCING THIS DRAWING: CONFIDENTIAL. Reproduction, transmission, or disclosure of this drawing without the written permission of Atari, Inc., is prohibited. This drawing is the property of Atari, Inc., and it is to be used only for the purposes for which it was prepared. All other uses are prohibited. The user of this drawing is to be held responsible for any errors or omissions. The user is to be held responsible for any damage or injury resulting from the use of this drawing. The user is to be held responsible for any loss of profit or other damages resulting from the use of this drawing. The user is to be held responsible for any other consequences resulting from the use of this drawing.

HISTORY PRINT
 original to printer

D
 C
 B
 A