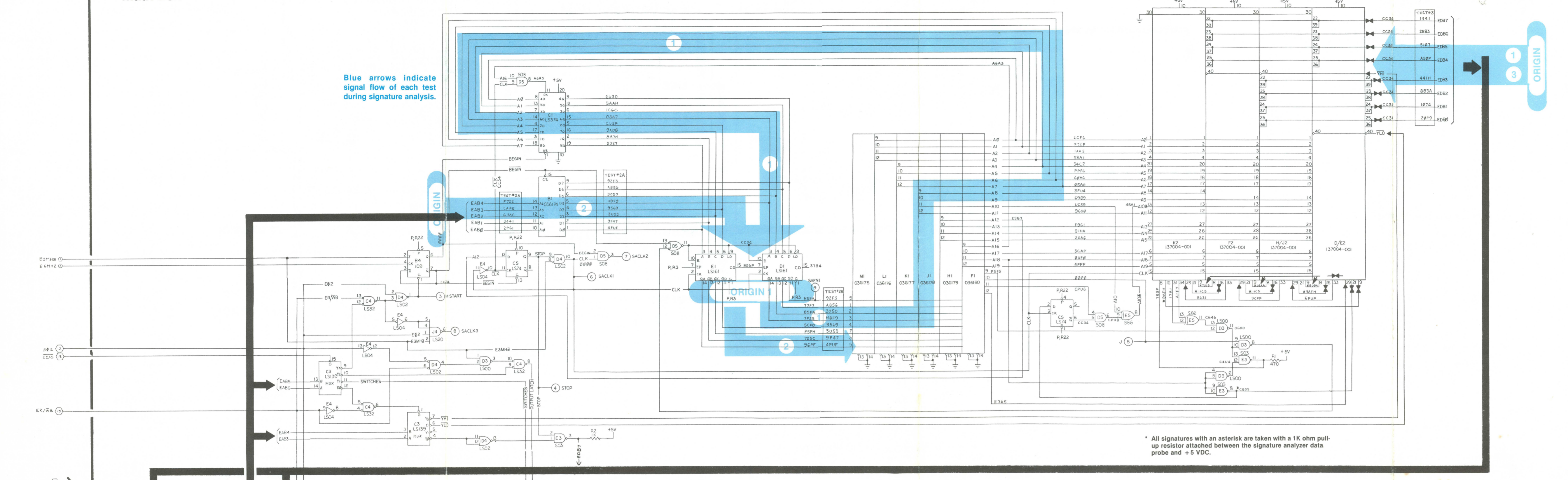
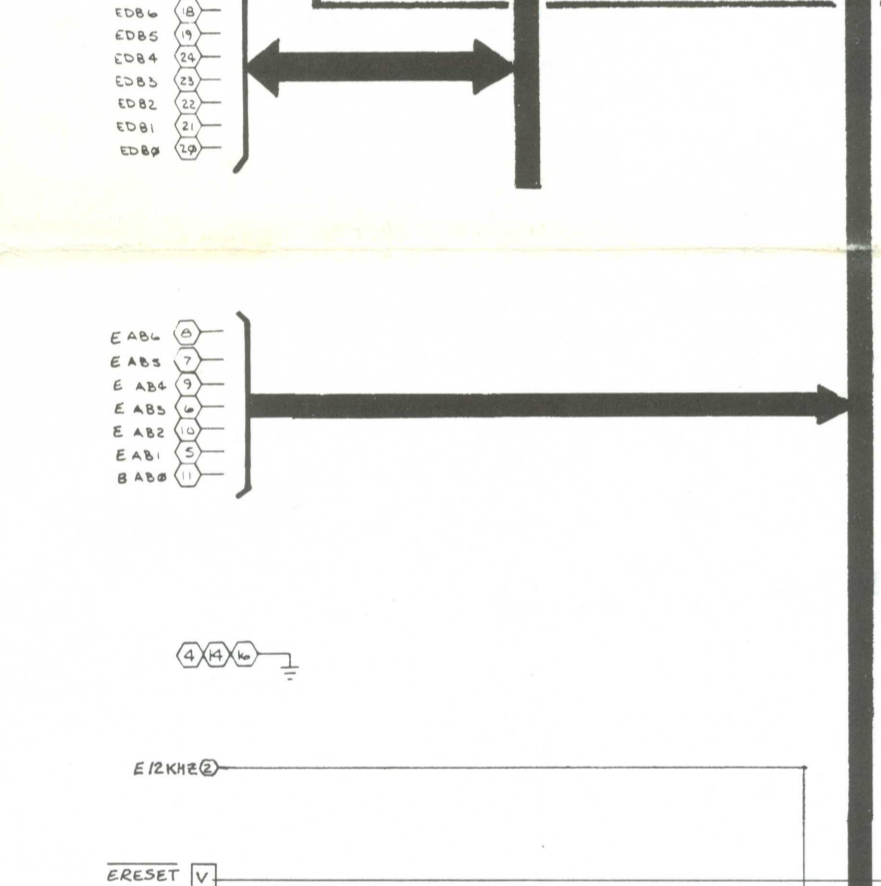


Math Box

Blue arrows indicate signal flow of each test during signature analysis.

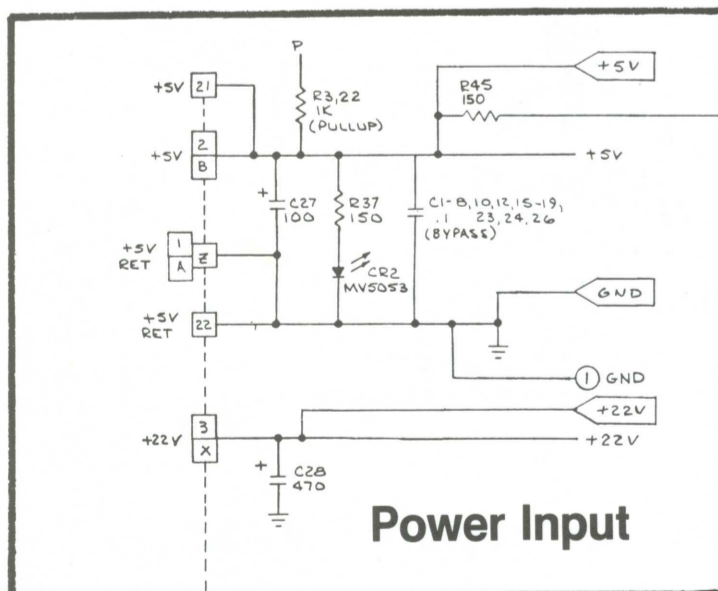


* All signatures with an asterisk are taken with a 1K ohm pull-up resistor attached between the signature analyzer data probe and +5 VDC.



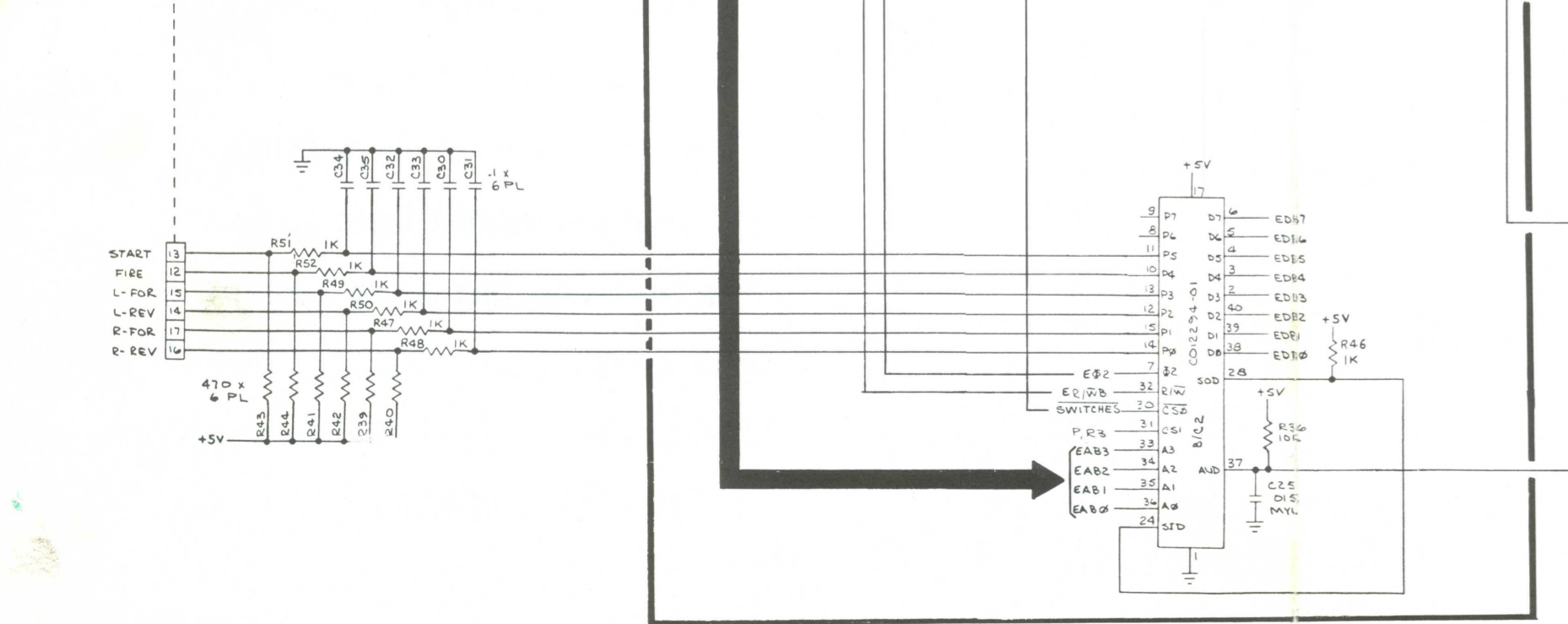
Output Latch

Audio Output

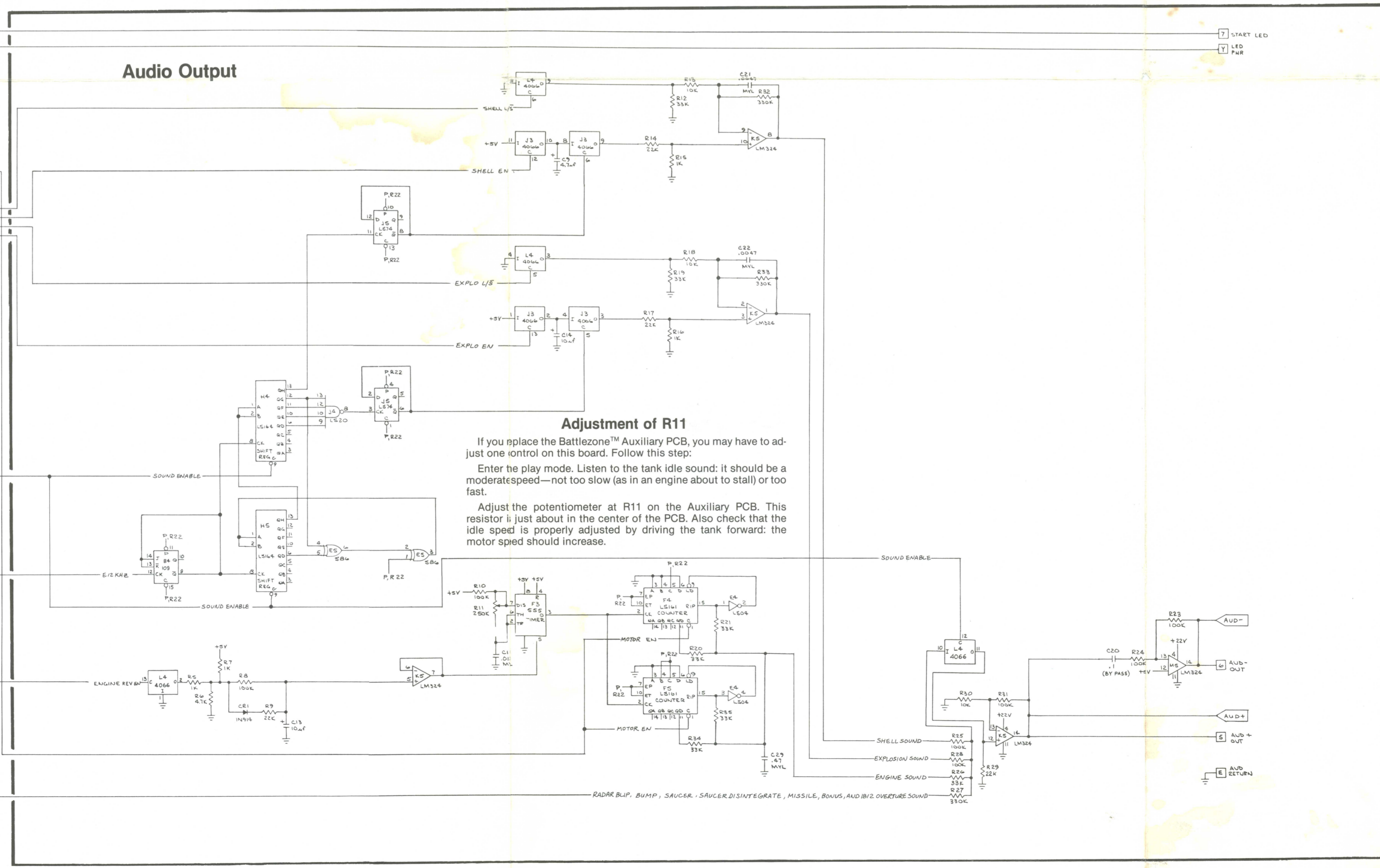


Power Input

Control Panel Inputs and Audio Generator



Adjustment of R11
 If you replace the Battlezone™ Auxiliary PCB, you may have to adjust one control on this board. Follow this step:
 Enter the play mode. Listen to the tank idle sound; it should be a moderate speed—not too slow (as in an engine about to stall) or too fast.
 Adjust the potentiometer at R11 on the Auxiliary PCB. This resistor is just about in the center of the PCB. Also check that the idle speed is properly adjusted by driving the tank forward: the motor speed should increase.



NOTE
 □ Indicates edge connector
 ○ Indicates interconnect connector
 ◀ Indicates test point
 Four-digit alphanumeric numbers are signatures of Math Box test points.
 Unboxed signatures are taken during Test #1.



Sheet 3, Side B
BATTLEZONE™

Auxiliary PCB
 Audio Output
 Control Panel Inputs
 Math Box
 Section of 035678-01 B

NOTICE TO ALL PERSONS RECEIVING THIS DRAWING
 CONFIDENTIAL. Reproduction forbidden without the specific written permission of Atari, Inc., Sunnyvale, CA. This drawing is only conditionally issued, and neither receipt nor possession thereof confers or transfers any right in or license to use the subject matter of the drawing or any design or technical information shown thereon nor any right to reproduce this drawing or any part thereof. Except for manufacture by vendors of Atari, Inc. and for manufacture under the corporation's written license, no right to reproduce this drawing is granted or the subject matter thereof unless by written agreement with or written permission from the corporation.