

IC CHART

TYPE	VOLTAGE / PIN NO.							UNUSED GATES
	GND	+5V	+5V DAC	+12V	+15V	-5V	-5V	
74S00	7	14						
74S02	7	14						
74LS02	7	14						
74S04	7	14						P5, P5, P5,
74LS04	7	14						
74LS06	7	14						
74LS08	7	14						
74LS12	7	14						K4
74LS11	7	14						
74LS14	7	14						
74LS20	7	14						M5
74LS27	7	14						
74LS32	7	14						L2
74LS42	8	16						
74S74	7	14						
74LS74	7	14						
74S86	7	14						B7
74LS86	7	14						
74LS129	8	16						
74LS139	8	16						
74LS157	8	16						
74LS161	8	16						
74LS164	7	14						
74LS174	8	16						
74LS175	8	16						
74LS191	8	16						
74193	8	16						
74LS193	8	16						
74LS194	8	16						
74LS244	10	20						
74LS245	10	20						
74S260	7	14						
74LS273	10	20						
74LS367	8	16						
74LS393	7	14						
74LS670	8	16						
2114 (RAM)	9	18						
8316E (ROM)	12	24, 24		19				
2708 (ROM)	12	24					21	
825129 (PROM)	8	16						
6502A (MICROPROCESSOR)	1, 21	8						
AM6012	13		20			17		
MC3410	2		14			1		
DAC-08			13			3		
LM319	3, 2				11	6		
TLOB2					8	4		
TLOB4					4	11		
LF13201	5				13	4		
14050	8	1						
7404	7	14						H11, H11, H11, H11
74LS399	8	16						

MEMORY MAP

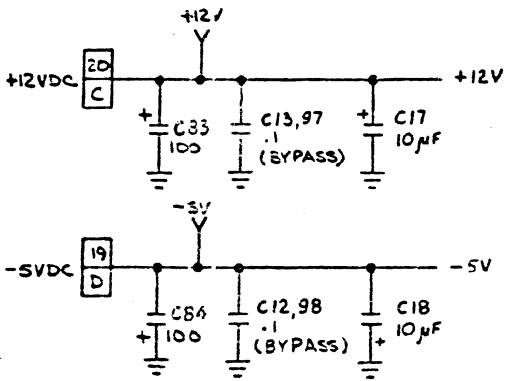
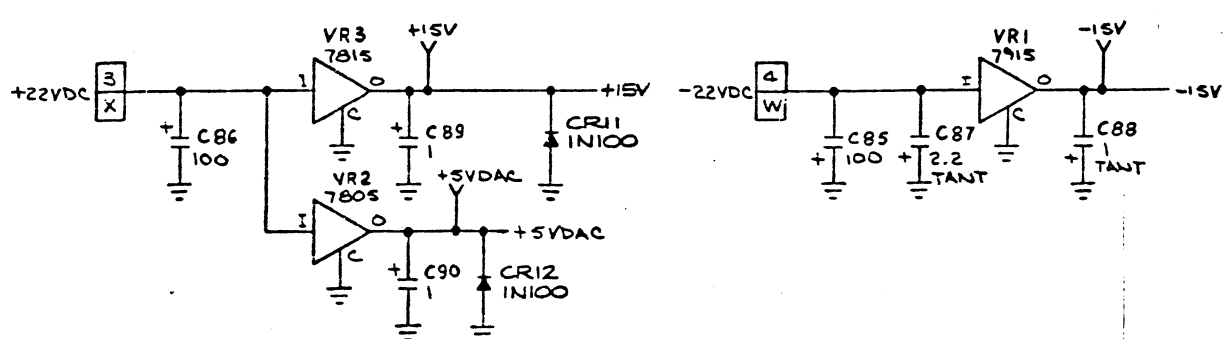
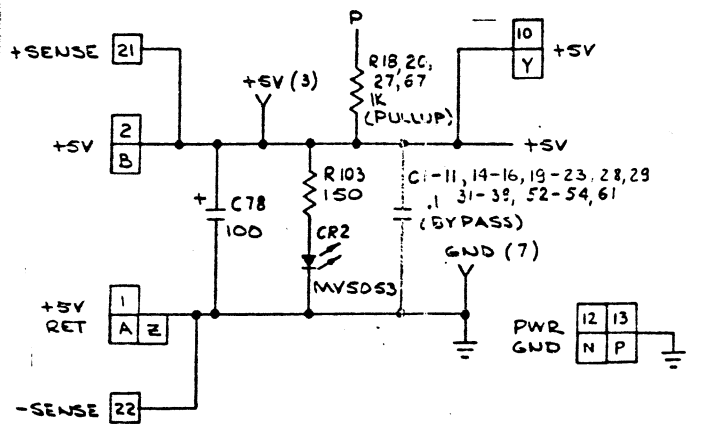
ADDRESS	DATA	FUNCTION
0000-00FF	XXXXXXXXXXXXXXXXXXXX	PROGRAM RAM (1K)
0800-08FF	XXXXXXXXXXXXXXXXXXXX	RIGHT COIN
	XXXXXXXXXXXXXXXXXXXX	CENTER COIN
	XXXXXXXXXXXXXXXXXXXX	LEFT COIN
	XXXXXXXXXXXXXXXXXXXX	SLAM SW
	XXXXXXXXXXXXXXXXXXXX	SELF TEST SW
	XXXXXXXXXXXXXXXXXXXX	DIAG. STEP SW
	XXXXXXXXXXXXXXXXXXXX	HALT
	XXXXXXXXXXXXXXXXXXXX	3RME
2000-20FF	XXXXXXXXXXXXXXXXXXXX	OPTIONS 0
2000-20FF	XXXXXXXXXXXXXXXXXXXX	OPTIONS 1
1000-10FF	XXXXXXXXXXXXXXXXXXXX	COIN COUNTER RIGHT
	XXXXXXXXXXXXXXXXXXXX	COIN COUNTER CENTER
	XXXXXXXXXXXXXXXXXXXX	COIN COUNTER LEFT
	XXXXXXXXXXXXXXXXXXXX	VIDEO INVERT X
	XXXXXXXXXXXXXXXXXXXX	VIDEO INVERT Y
1200-12FF	XXXXXXXXXXXXXXXXXXXX	VECTOR GENERATOR G0
1400-14FF	XXXXXXXXXXXXXXXXXXXX	WATCHDOG CLEAR
1600-16FF	XXXXXXXXXXXXXXXXXXXX	VECTOR GENERATOR RESET
0000-00FF	XXXXXXXXXXXXXXXXXXXX	I/O FOR AUX BD
2000-20FF	XXXXXXXXXXXXXXXXXXXX	VECTOR RAM (2K)
2200-22FF	XXXXXXXXXXXXXXXXXXXX	VECTOR RAM/VECTOR ROM (2K)
2400-24FF	XXXXXXXXXXXXXXXXXXXX	VECTOR ROM (4K)
2600-26FF	XXXXXXXXXXXXXXXXXXXX	PROGRAM ROM (4K)
2800-28FF	XXXXXXXXXXXXXXXXXXXX	PROGRAM ROM (8K)

REFERENCE DESIG

HIGHEST	NOT USED
CR12	
Q9	
VR3	
SW4	
RP2	
R133	
C106	

REVISIONS					
SYM	DESCRIPTION	DATE	INCRP	CHECK	APPROVED
2	PROTOTYPE & UPDATE	4-1-80			
3	PRE-PROD. REL.	6-22-80	EM		JM 7/20
A	PROD. REL.	7/3/80	EM		JM 7/20
B	REV ECU 8:66, 8:75, 8:84, 8:211, 8:231, 8:237, 8:240, 8:251	10/14/80	Dull		JM 11/20

- NOTES:
- DENOTES J20 CONNECTOR
 - " TEST "
 - ◇ " J19 "

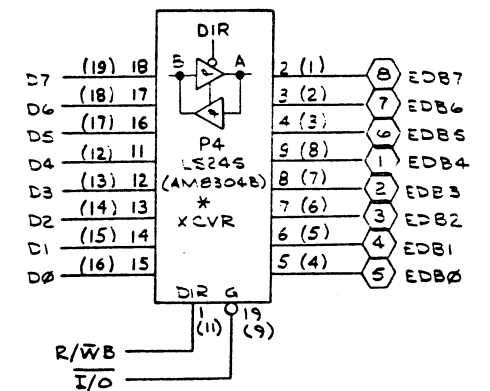
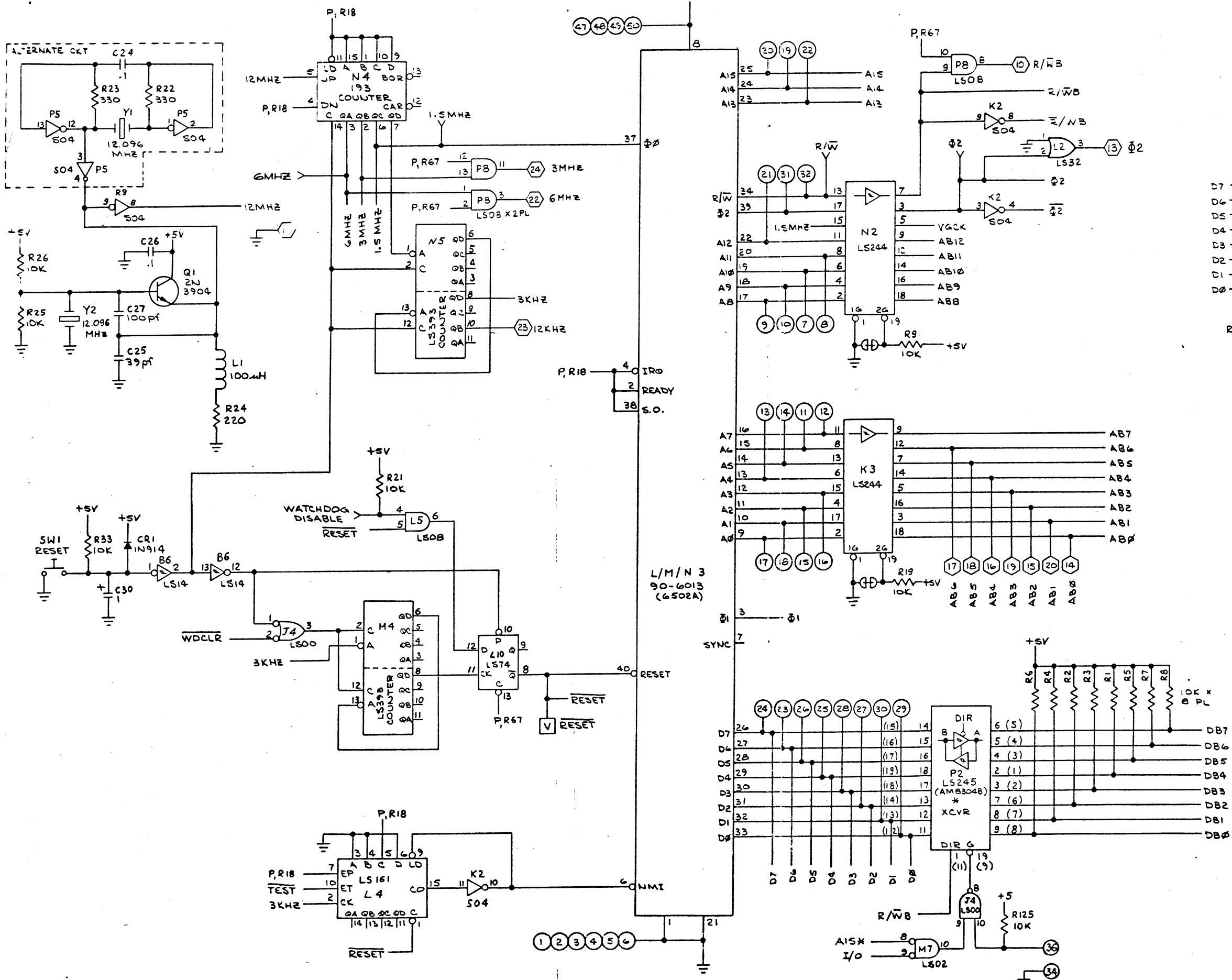


HISTORY PRINT

-01 = MC3410 DAC
-02 = AM6012 ADC

AD35742	DO NOT SCALE DRAWING	DRAWN BY: <i>F. Taha</i> DATE: 4-1-80	<p>Atari, Inc. 1285 Borregas Avenue Sunnyvale, Calif. 94086</p>
NEXT ASSY	FIRST USED ON	CHECKED BY: DATE:	
GUTSTANDING ECNS		ENGR. MECH DATE:	TITLE SCHEMATIC, 6502A ANALOG VECTOR GENERATOR P.C. BD.
UNLESS OTHERWISE SPECIFIED DIMENSIONS ARE IN INCHES TOLERANCES ON:		ENGR. ELECT DATE:	
MATERIAL:		INDUSTRIAL DESIGN DATE:	
FINISH:		HARNES DESIGN DATE:	
NOTICE TO ALL PERSONS RECEIVING THIS DRAWING: CONFIDENTIAL. Reproduction forbidden without the specific written permission of Atari, Inc., Sunnyvale, California. This drawing is only conditionally issued and neither receipt nor possession thereof confers or transfers any right in or license to use the subject matter of the drawing or any design or technical information shown thereon, nor any right to reproduce this drawing or any part thereof, except for manufacture by vendors of Atari incorporated and for manufacture under the corporation's written license. No right to reproduce this drawing is granted or the subject matter thereof unless by written agreement with or written permission from the corporation.		PROJECT ENGR DATE: 7-1-80	SIZE: D DRAWING NO: 035742-XX REV: B
		MFG ENGR DATE:	SCALE: SHEET 1 OF 7

REVISIONS					
SYM	DESCRIPTION	DATE	INCRP	CHECK	APPROVED
-	SEE SHEET ONE				



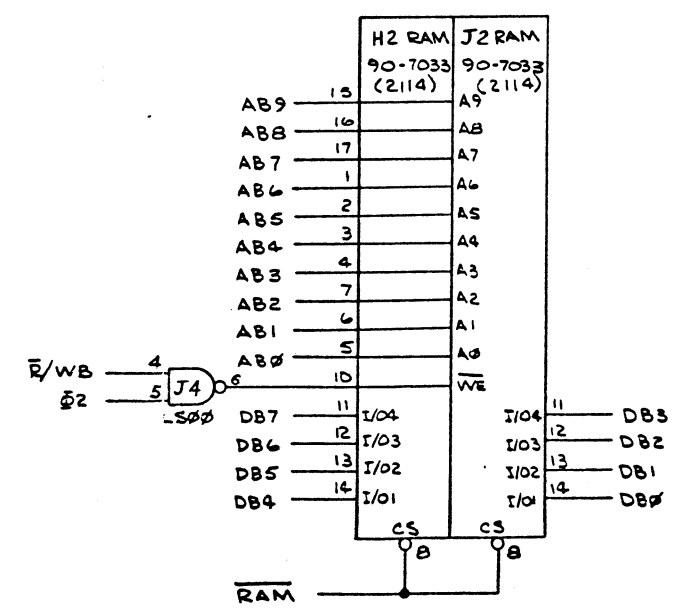
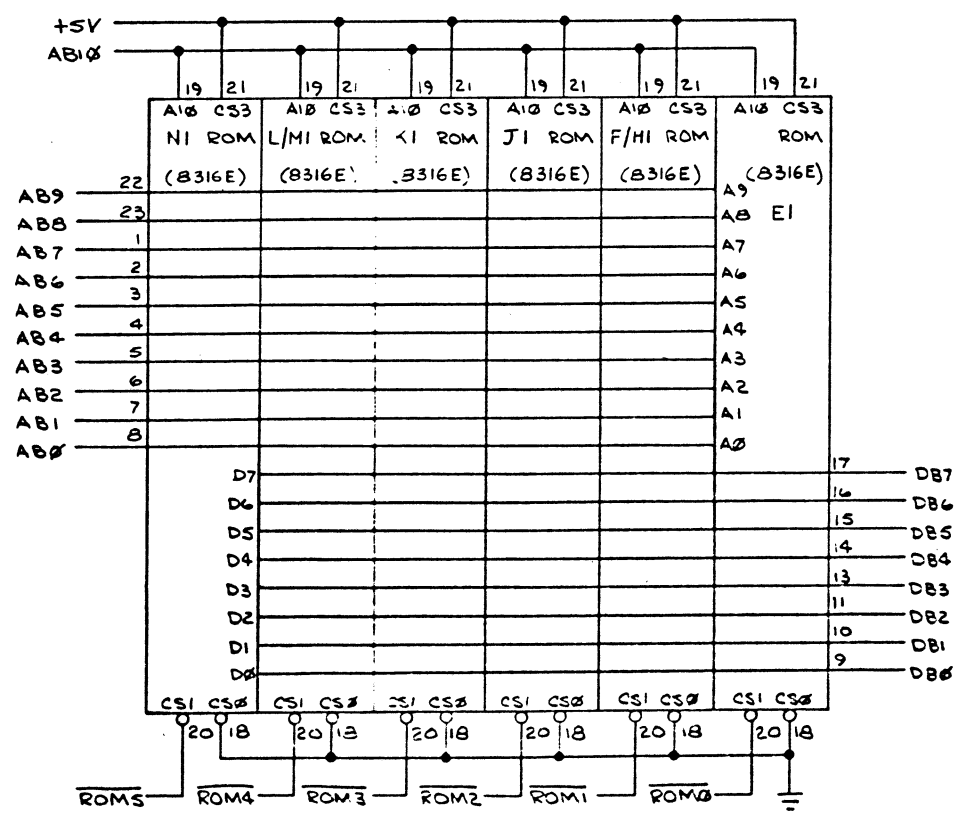
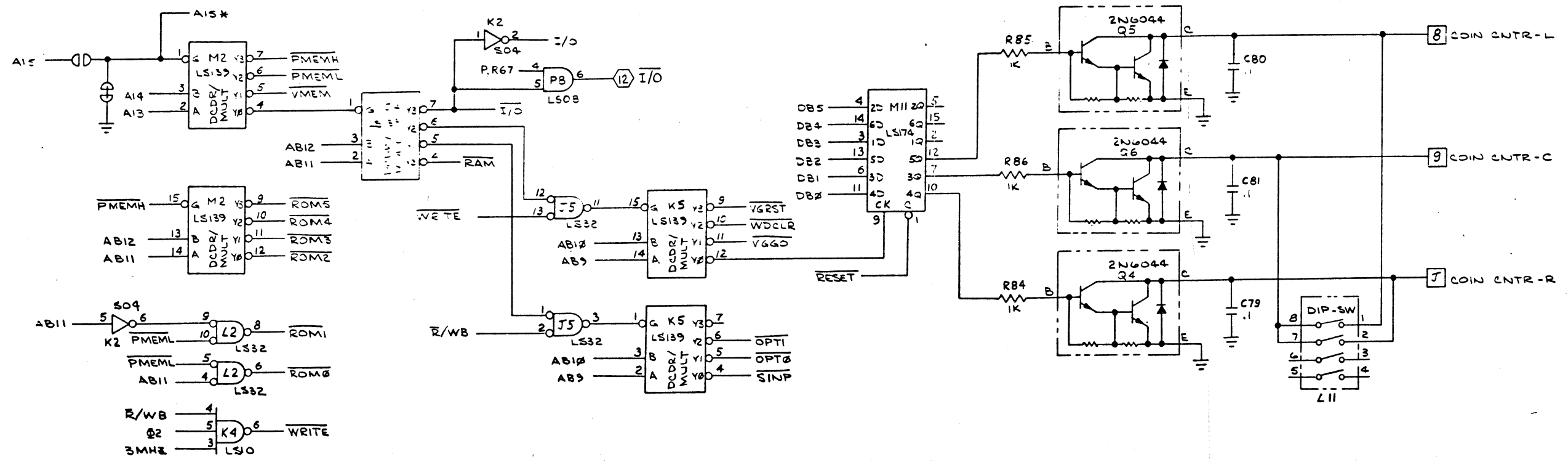
NOTE:
 * USE NUMBERS IN PARENTHESES IF BOARD CONTAINS AMB304B INSTEAD OF 74LS245, 2 PLACES THIS PAGE.

HISTORY PRINT

SYNC, RESET, MICROPROCESSOR

		Atari, Inc. 1265 Borregas Avenue Sunnyvale, Calif. 94095
TITLE SCHEMATIC, 6502A ANALOG VECTOR GENERATOR P.C. BD		
SIZE D	DRAWING NO. 035742-XX	REV B
SCALE -	SHEET 2 OF 7	

REVISIONS				
SYM	DESCRIPTION	DATE	INCORP	APPROVED
-	SEE SHEET ONE			



PHOTOCOPIED
REPRINT

DECODE, COIN DRIVER, MEMORY

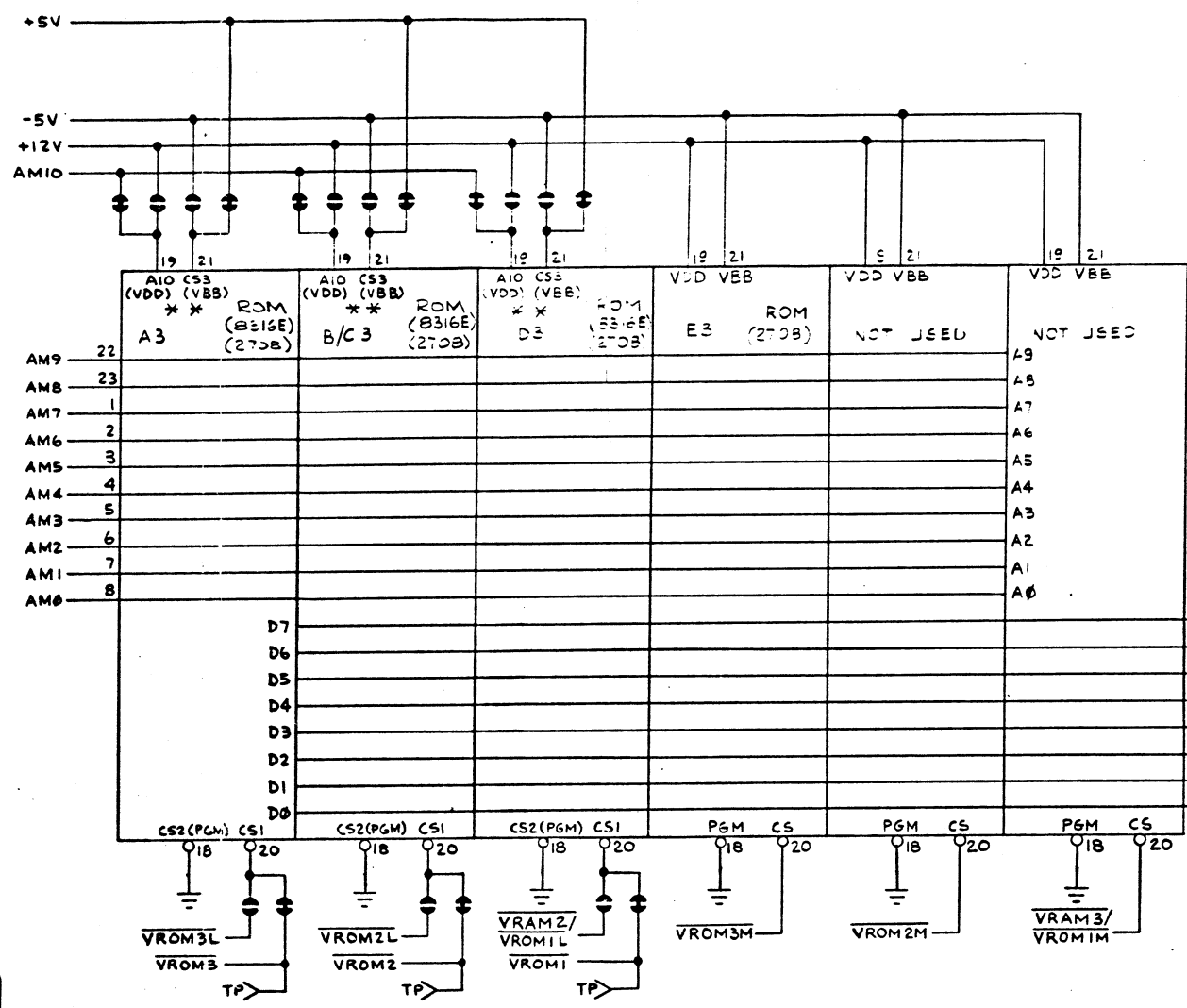
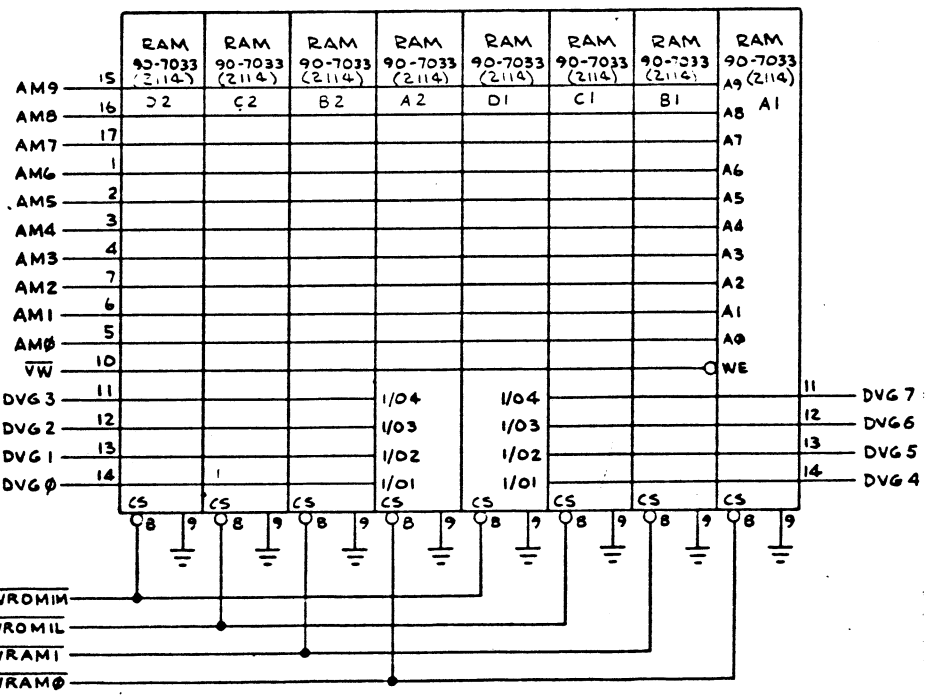
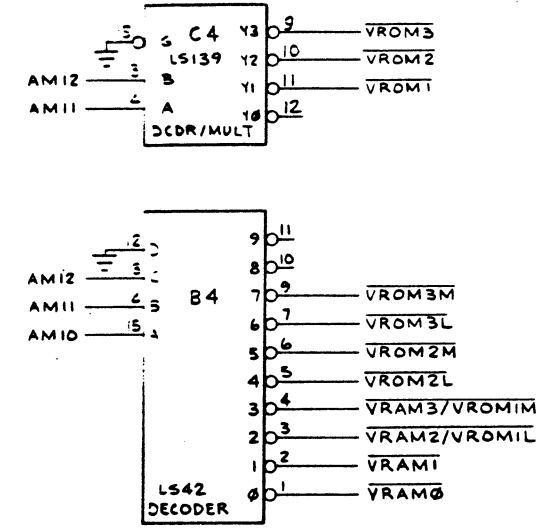
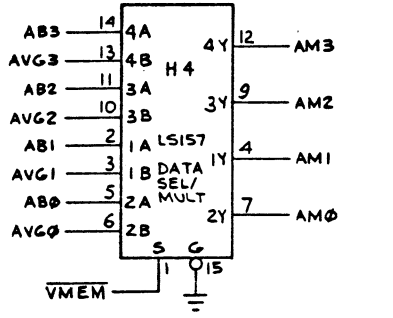
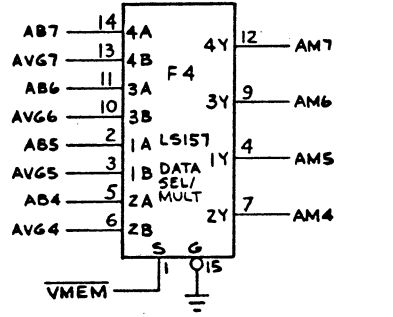
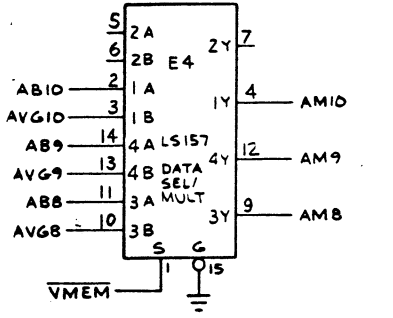
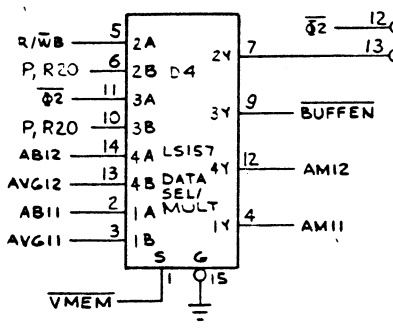
ATARI
Atari, Inc.
1265 Borregas Avenue
Sunnyvale, Calif. 94086

TITLE: SCHEMATIC,
6502A ANALOG VECTOR
GENERATOR P.C. BD

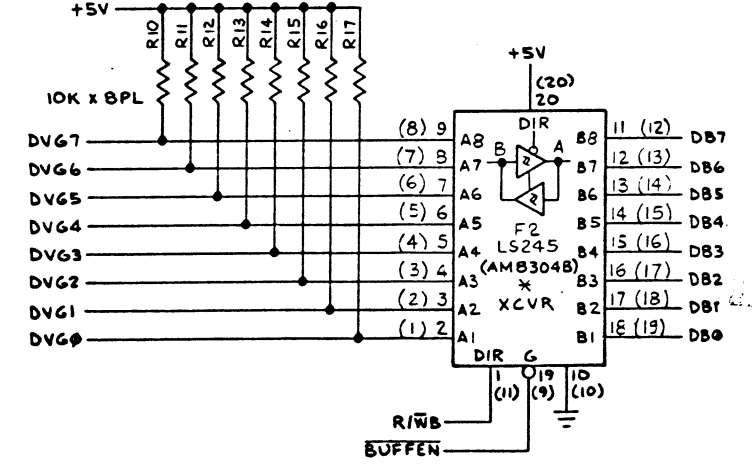
SIZE	DRAWING NO.	REV
D	035742-XX	B

SCALE: — SHEET 3 OF 7

REVISIONS				
SYM	DESCRIPTION	DATE	INCORP	APPROVED
-	SEE SHEET 1			



NOTE:
 ** SPLIT PAD CONNECTIONS APPLICABLE TO USE OF 8316E'S. USE OF 2708'S REQUIRE BRIDGING OF OPEN PADS AND CUTTING OF CONNECTED PADS, 3 PLACES, THIS PAGE



NOTE: * USE NUMBERS IN PARENTHESES IF BOARD CONTAINS AM8304B INSTEAD OF 74LS245

VECTOR MUX, VECTOR MEM

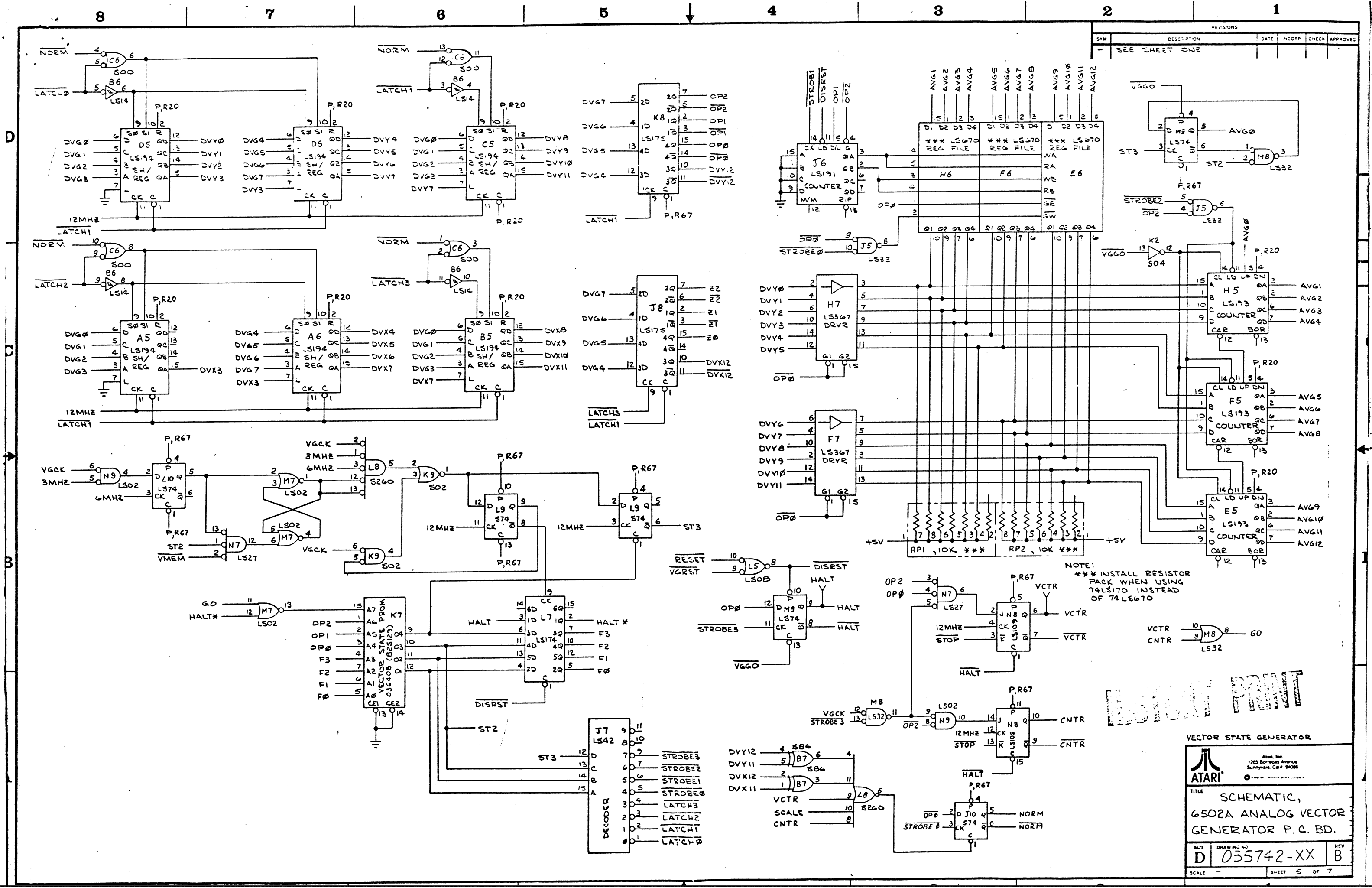
ATARI
 1265 Borregas Avenue
 Sunnyvale, Calif. 94088

TITLE
 SCHEMATIC,
 6502A ANALOG VECTOR
 GENERATOR P.C. BD.

SIZE D DRAWING NO 035742-XX REV B

SCALE SHEET 2 OF 7

REVISIONS				
SYM	DESCRIPTION	DATE	IN CORP	APPROVED
-	SEE SHEET ONE			



NOTE:
 *** INSTALL RESISTOR
 PACK WHEN USING
 74LS170 INSTEAD
 OF 74LS670

PRINT

VECTOR STATE GENERATOR

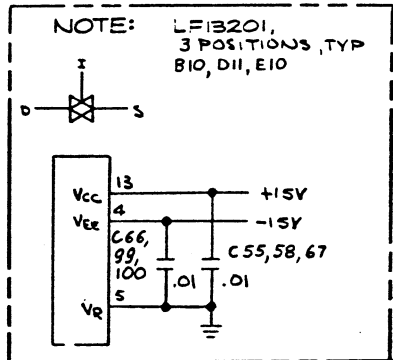
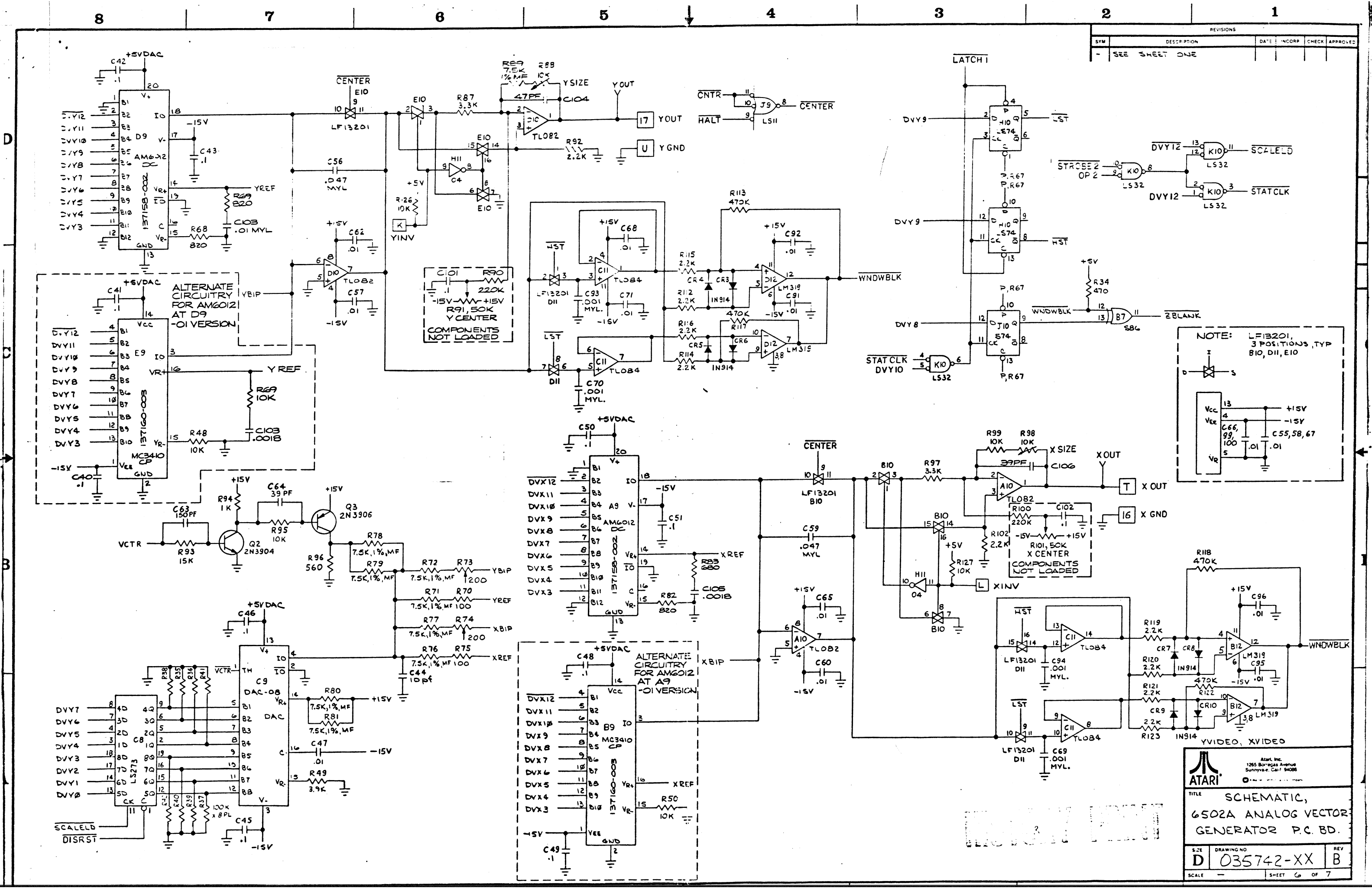
Atari, Inc.
 1265 Borregas Avenue
 Sunnyvale, Calif 94088

TITLE: SCHEMATIC,
 6502A ANALOG VECTOR
 GENERATOR P.C. BD.

SIZE: D
 DRAWING NO: 035742-XX
 REV: B

SCALE: - SHEET 5 OF 7

REVISIONS				
SYM	DESCRIPTION	DATE	INCORP	CHECK APPROVED
-	SEE SHEET ONE			



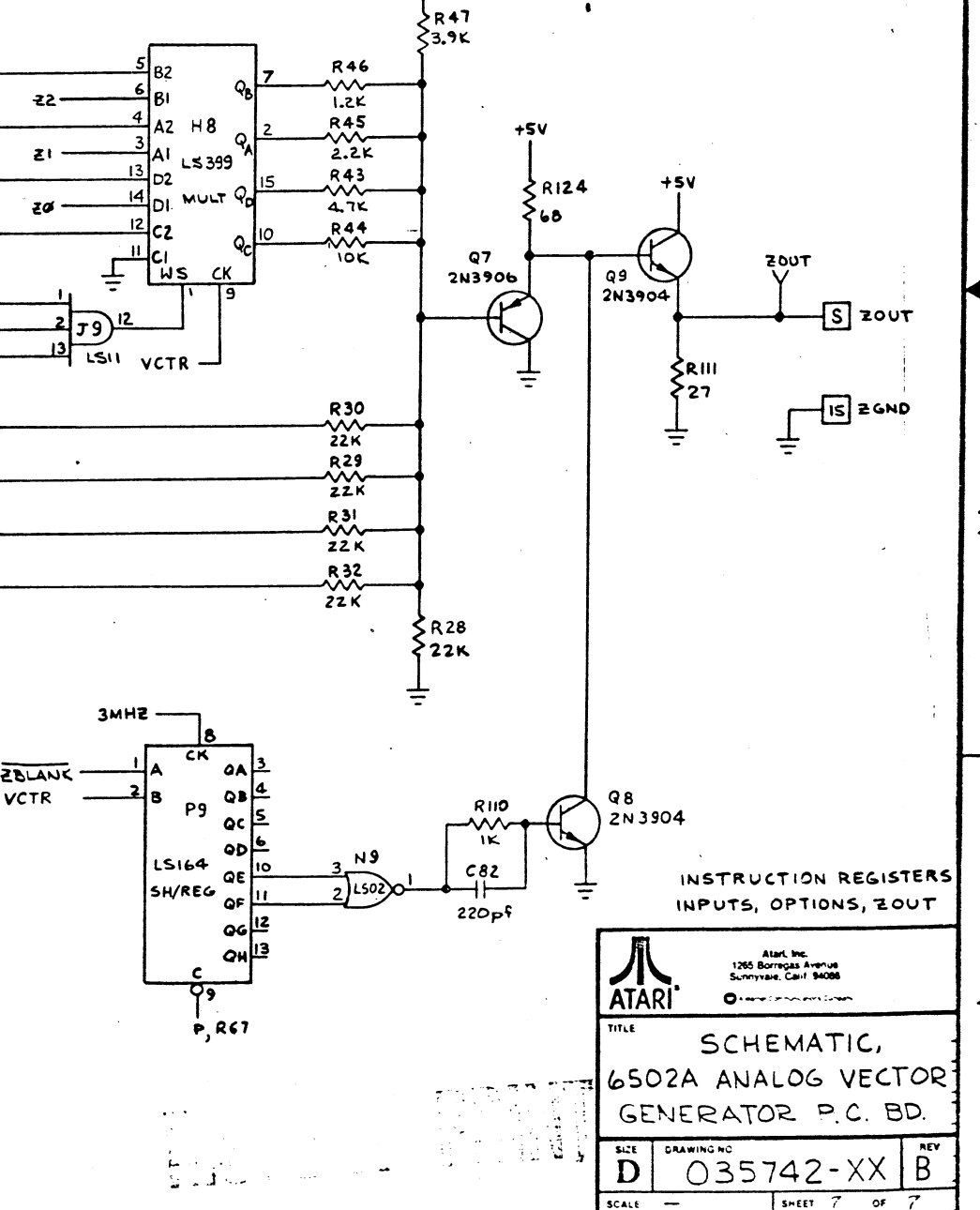
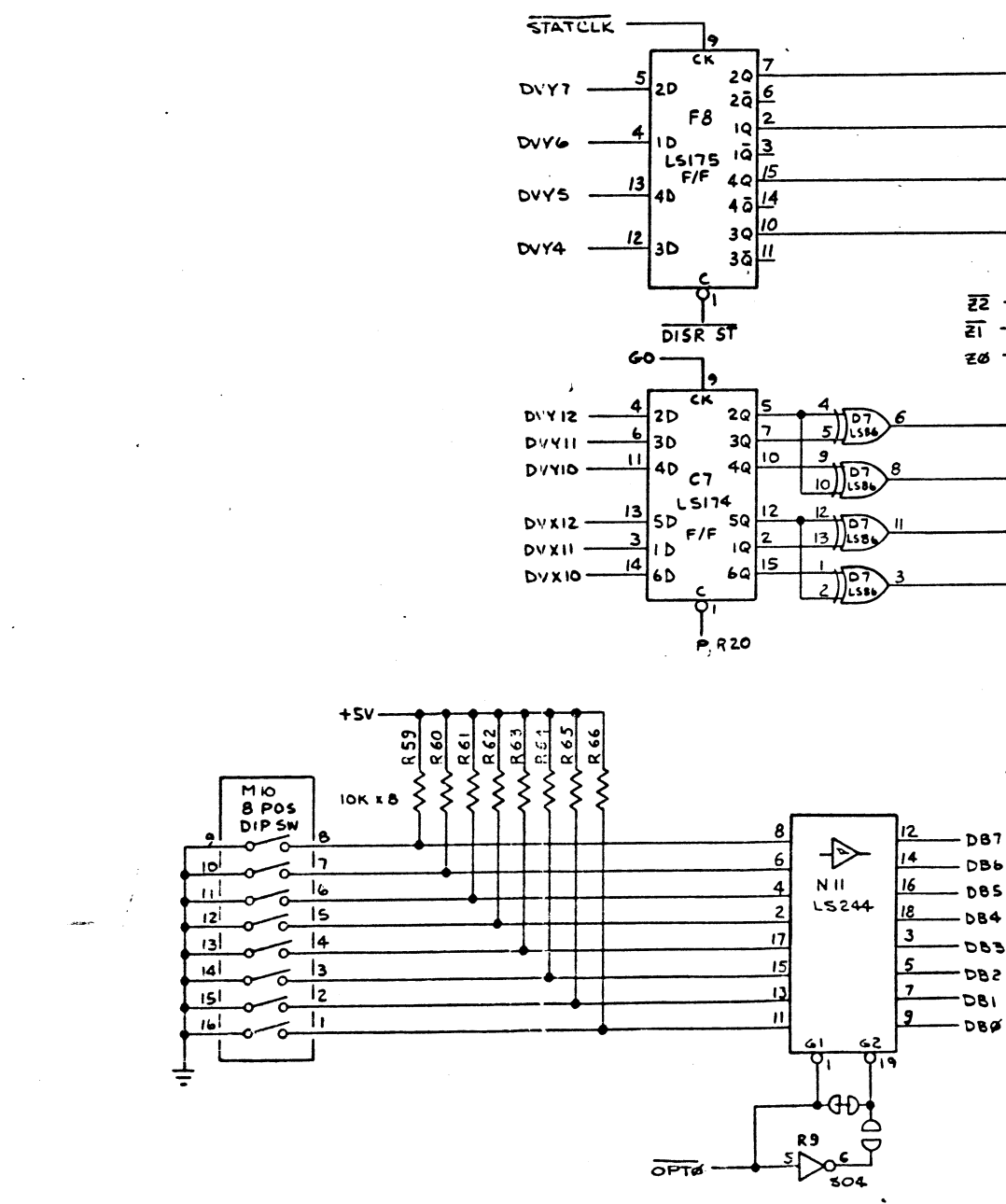
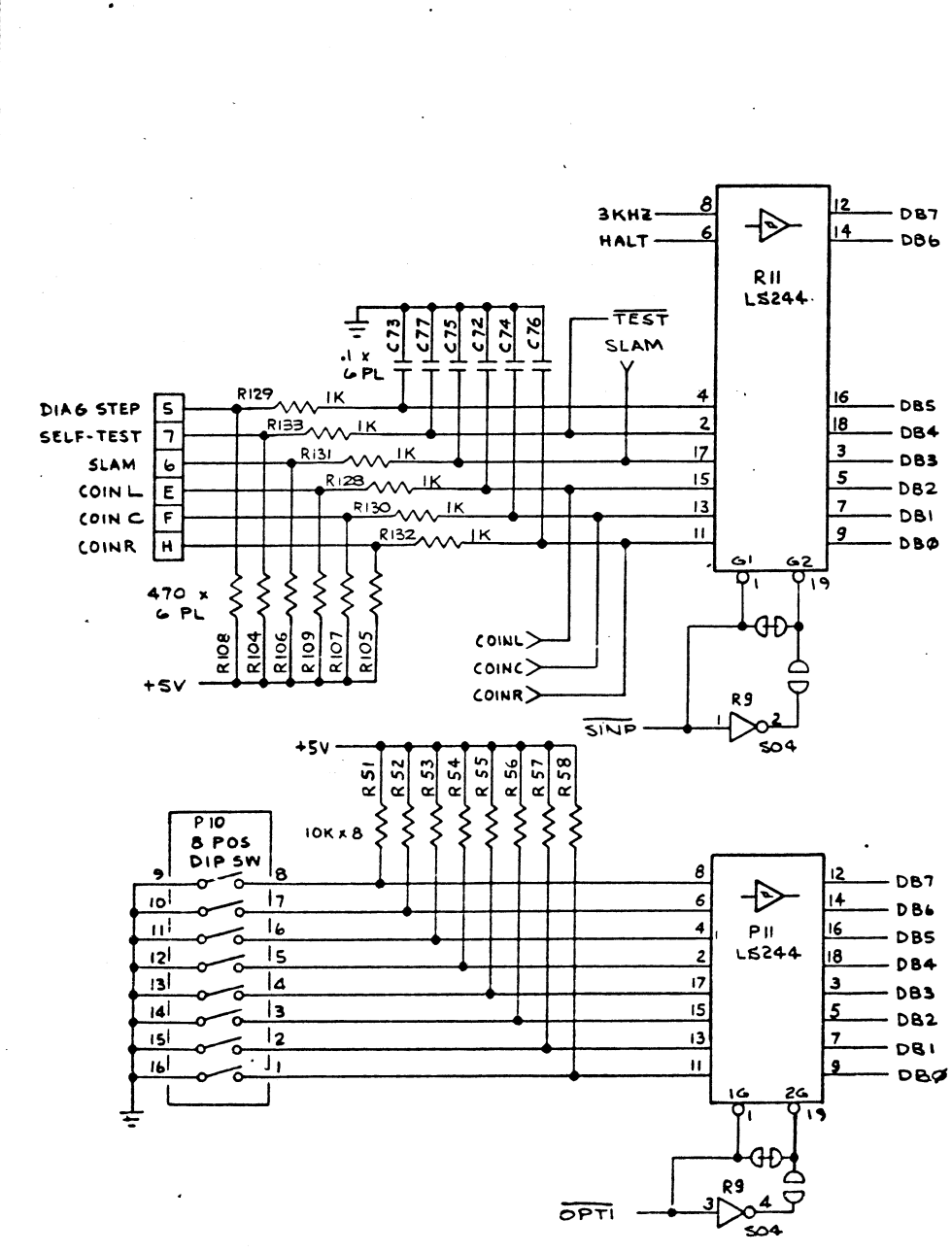
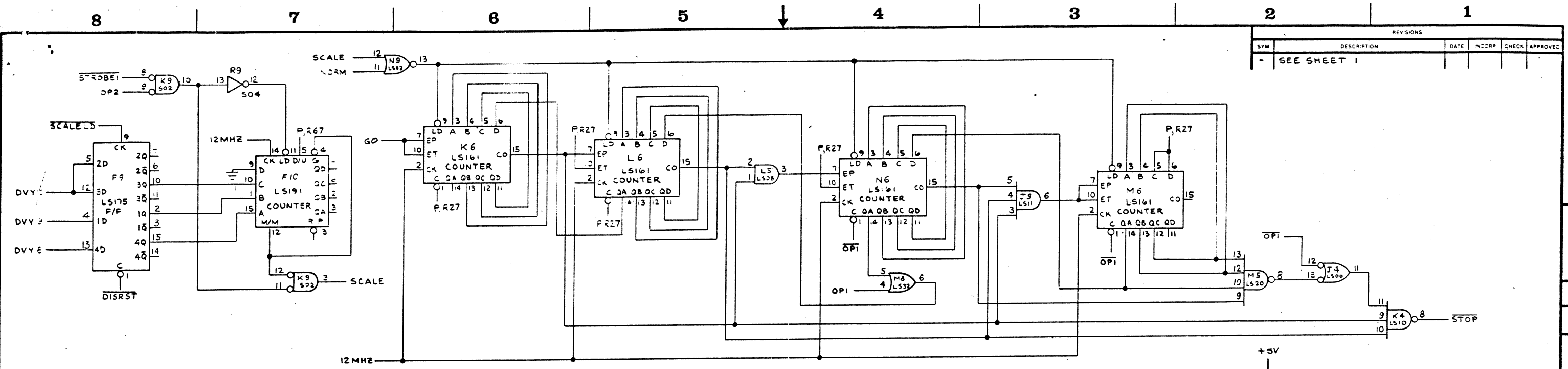
ATARI
 1265 Borregas Avenue
 Sunnyvale, Calif. 94086

TITLE: SCHEMATIC, 6502A ANALOG VECTOR GENERATOR P.C. BD.

S2E DRAWING NO. **D** 035742-XX REV **B**

SCALE: SHEET 6 OF 7

REVISIONS				
SYM	DESCRIPTION	DATE	INCRP	APPROVED
-	SEE SHEET 1			



Atari, Inc.
1265 Borregas Avenue
Sunnyvale, Calif. 94088

ATARI

TITLE
**SCHEMATIC,
6502A ANALOG VECTOR
GENERATOR P.C. BD.**

SIZE **D** DRAWING NO. **035742-XX** REV **B**

SCALE - SHEET 7 OF 7

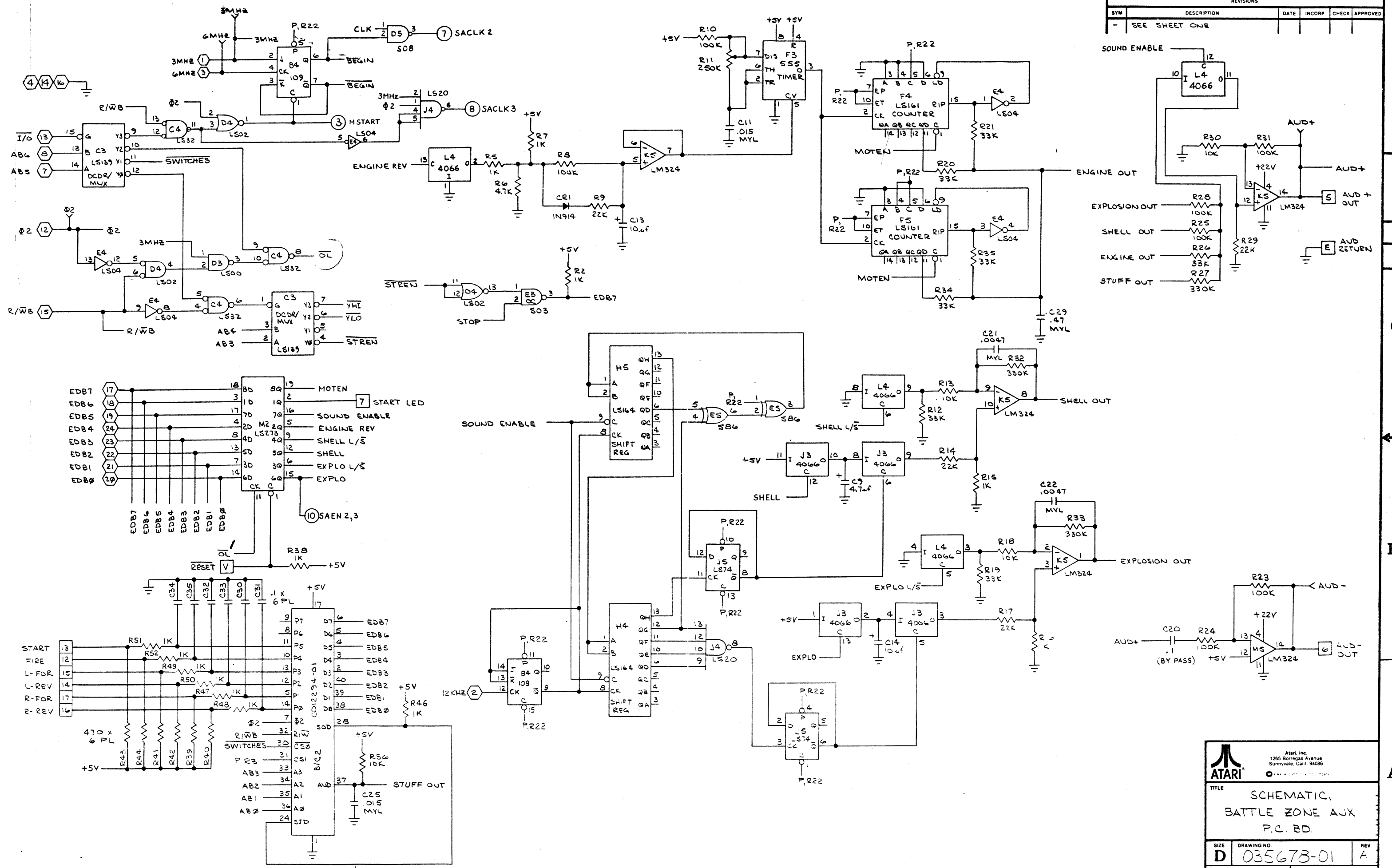
REVISIONS				
SYM	DESCRIPTION	DATE	INCORP	CHECK APPROVED
-	SEE SHEET ONE			

D

C

B

A



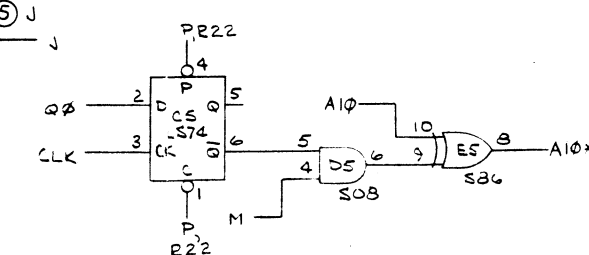
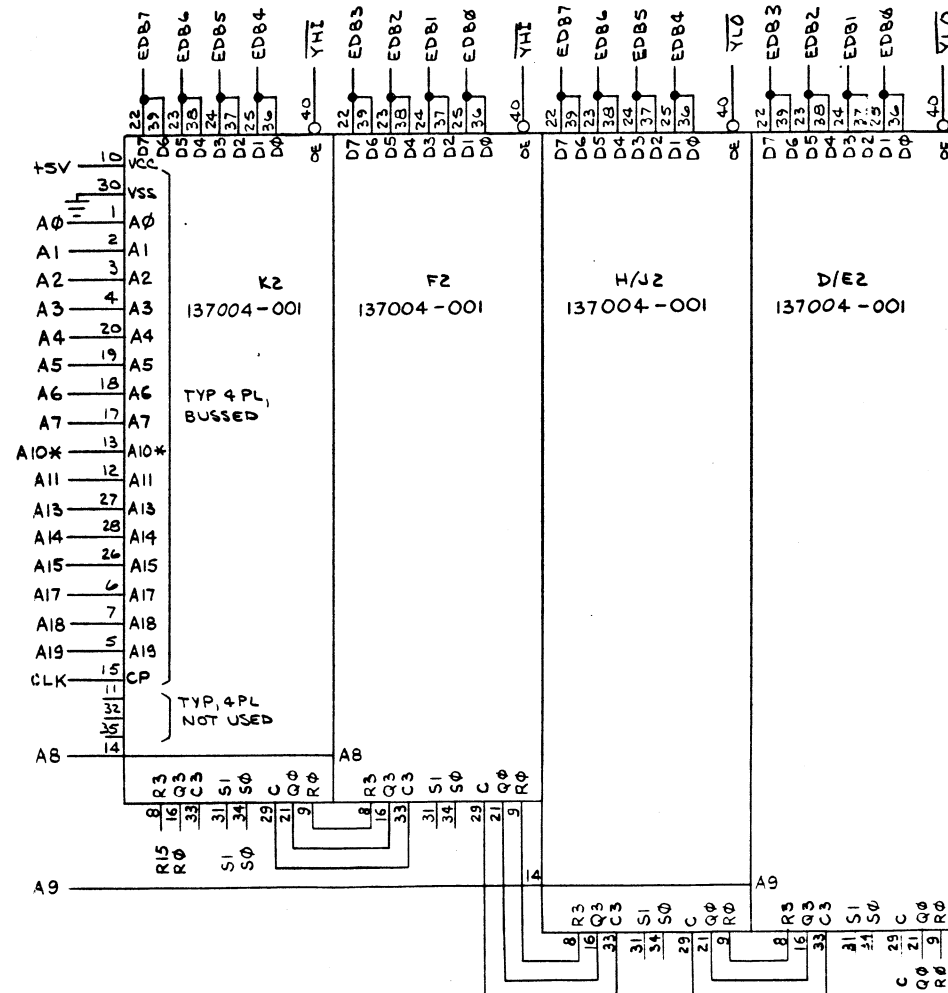
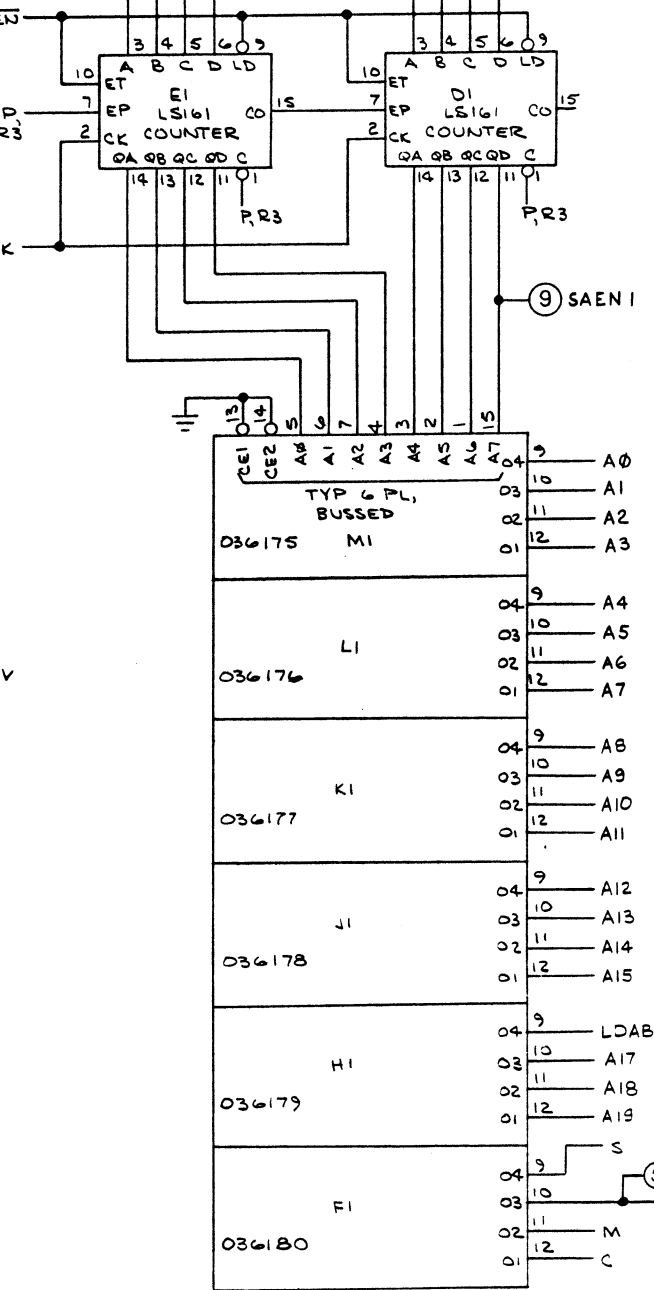
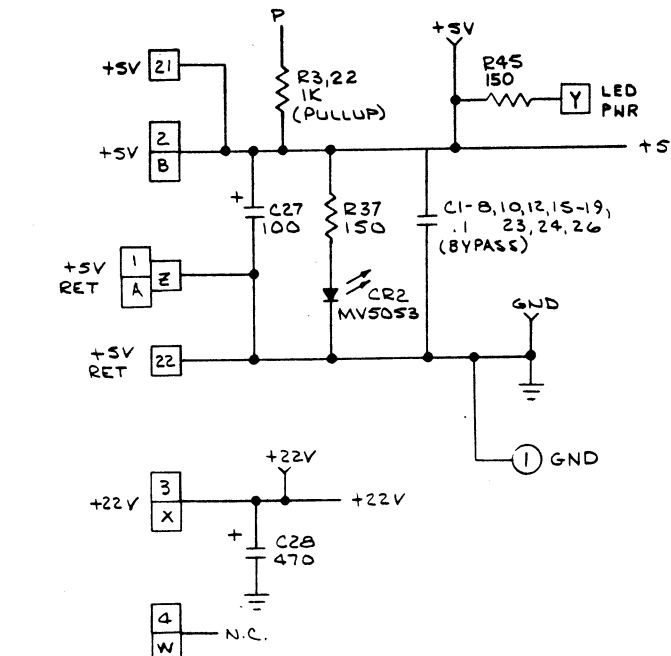
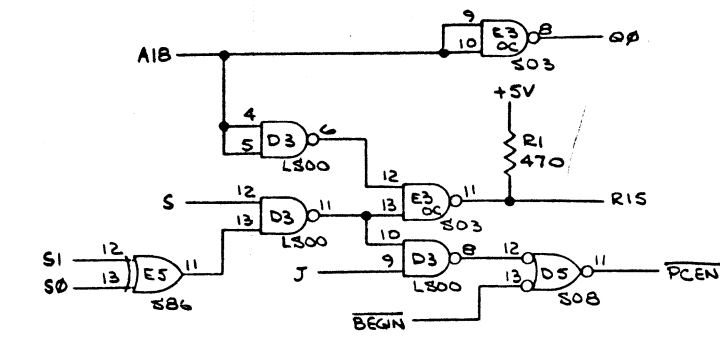
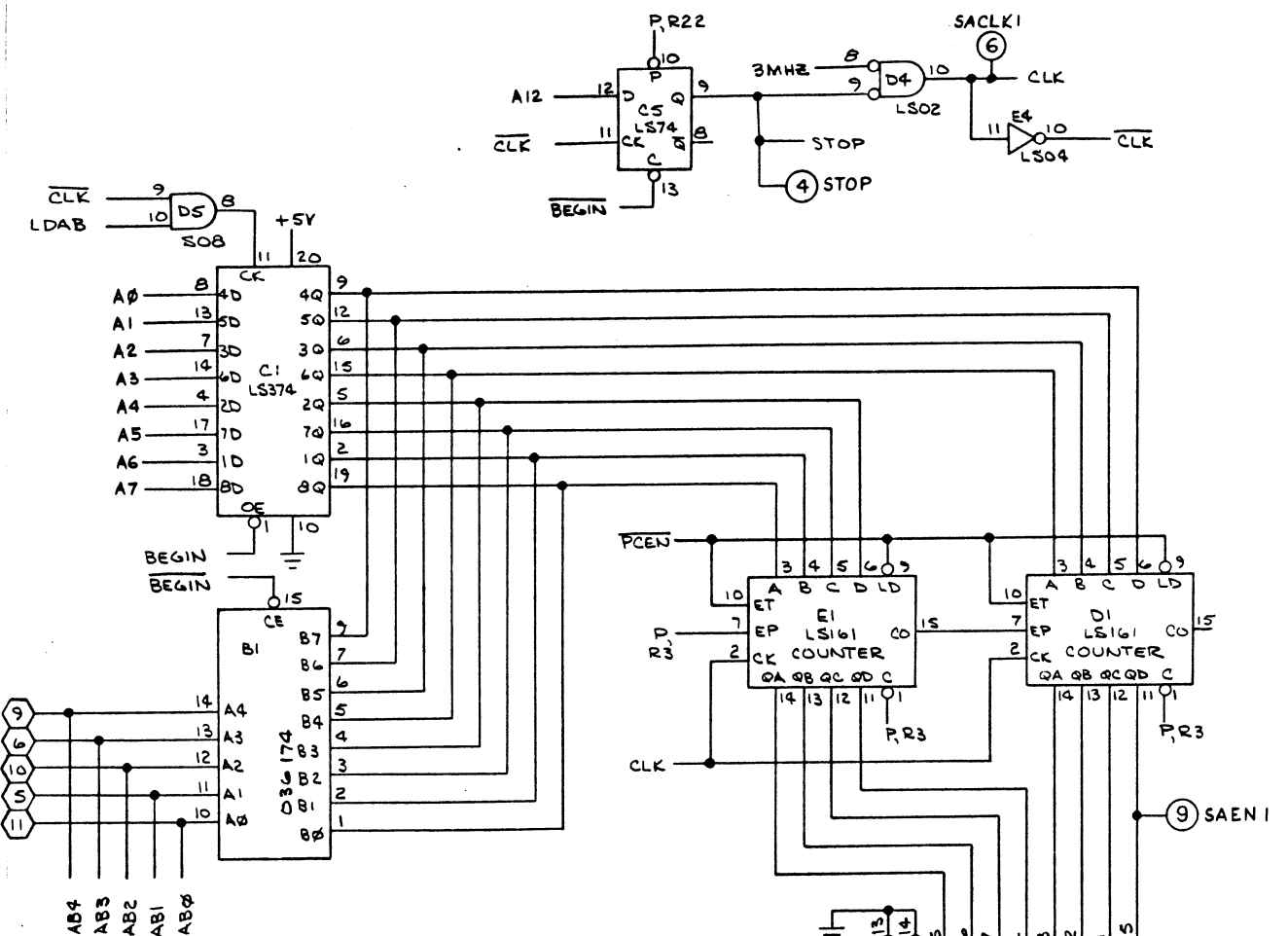
ATARI Atari, Inc.
1265 Borregas Avenue
Sunnyvale, Calif. 94086

TITLE: SCHEMATIC, BATTLE ZONE AUX P.C. BD

SIZE: D DRAWING NO. 035678-01 REV. A

SCALE: — SHEET 3 of 3

REVISIONS				
SYM	DESCRIPTION	DATE	INCRP	CHECK APPROVED
-	SEE SHEET ONE			



AD35678	BATTLE ZONE	DO NOT SCALE DRAWING	DRAWN BY <i>Z. L...</i> DATE 10/17/79	 Atari, Inc. 1265 Borregas Avenue Sunnyvale, Calif. 94086 An International Company
NEXT ASSY	FIRST USED ON		CHECKED BY DATE	
OUTSTANDING ECNS		UNLESS OTHERWISE SPECIFIED DIMENSIONS ARE IN INCHES TOLERANCES ON:	ENGR. MECH DATE	TITLE
		ANGLES: 30° 45° 60° 90° 120° 135° 150° 180° SURFACE FINISH: AS SHOWN	ENGR. ELECT DATE	SCHEMATIC, BATTLE ZONE AUX PC. 2D.
		MATERIAL:	INDUSTRIAL DESIGN DATE	
		FINISH:	HARNES DESIGN DATE	
NOTICE TO ALL PERSONS RECEIVING THIS DRAWING: CONFIDENTIAL. Reproduction forbidden without the specific written permission of Atari, Inc., Sunnyvale, California. This drawing is only conditionally issued, and neither receipt nor possession thereof confers or transfers any right in, or license to use, the subject matter of the drawing or any design or technical information shown thereon, nor any right to reproduce this drawing or any part thereof, except for manufacture by vendors of Atari, Incorporated and for manufacture under the corporation's written license, no right to reproduce this drawing is granted or the subject matter thereof unless by written agreement with or written permission from the corporation.				PROJECT ENGR DATE
MFG ENGR DATE				SIZE D DRAWING NO. 035678-01 REV A
SCALE				SHEET 2 OF 3


IC CHART								UNUSED GATES
TYPE	VOLTAGE / PIN NO.							
	GND	+5V	+22V	+12V	+15V	-15V	-5V	
74LS00	7	14						
74LS02	7	14						
74LS03	7	14						E3
74LS04	7	14						
7407	7	14						
74S08	7	14						
74LS20	7	14						
74LS32	7	14						C4
74LS74	7	14						
74S86	7	14						
74109	8	16						
74LS139	8	16						
74LS161	8	16						
74LS164	7	14						
74LS273	10	20						
74LS374	10	20						
LM324	11		4					M5, M5, M5
555	1	8						
4066	7	14						
CO12294 - O1	1	17						
137004 - 001	30	10						
82S123 (PROM)	8	16						
82S129 (PROM)	8	16						

MEMORY MAP											
HEX/DECIMAL	ADDRESS	DATA	FUNCTION								
	0000	XXXXXXXXXX	BOARD NOT ENABLED								
	0001	XXXXXXXXXX	MBOX STATUS								
	0002	XXXXXXXXXX	MBOX READ LOW								
	0003	XXXXXXXXXX	MBOX READ HI								
	0004	XXXXXXXXXX	SWITCHES								
	0005	XXXXXXXXXX	MOTOR SOUND								
	0006	XXXXXXXXXX	START LED								
	0007	XXXXXXXXXX	SOUND ENABLE								
	0008	XXXXXXXXXX	ENGINE REV.								
	0009	XXXXXXXXXX	SHELL LOUDNESS								
	000A	XXXXXXXXXX	SHELL SOUND								
	000B	XXXXXXXXXX	EXPLOSION LOUDNESS								
	000C	XXXXXXXXXX	EXPLOSION SOUND								
	000D	XXXXXXXXXX	MBOX START								

REVISIONS				
SYM	DESCRIPTION	DATE	INCORP	CHECK APPROVED
3	PRE - PROD. RELEASE	6/18/80	EM	
A	PROD REL.	7/4/80	EM	

REFERENCE DESIG	
HIGHEST	NOT USED
R 52	R 4
C 35	
CR 2	

- NOTES:
- 44 PIN EDGE CONNECTOR
 - 24 PIN STRIP CONNECTOR
 - 12 PIN TEST CONNECTOR

A035678	BATTLE ZONE	DO NOT SCALE DRAWING	DRAWN BY E M DATE 6/12/80	 Atari, Inc. 1265 Borregas Avenue Sunnyvale, Calif. 94086
NEXT ASSY	FIRST USED ON	UNLESS OTHERWISE SPECIFIED DIMENSIONS ARE IN INCHES TOLERANCES ON:	CHECKED BY DATE	
OUTSTANDING ECNS		ANGLES ±1° ±.2°	ENGR. MECH DATE	TITLE SCHEMATIC, BATTLE ZONE AUX. P.C. BD.
		SURFACE FINISH ±.010 ±.015	ENGR. ELECT DATE 6/20/80	
NOTICE TO ALL PERSONS RECEIVING THIS DRAWING CONFIDENTIAL: Reproduction forbidden without the specific written permission of Atari, Inc., Sunnyvale, California. This drawing is only conditionally issued, and neither receipt nor possession thereof confers or transfers any right in, or license to use, the subject matter of the drawing or any design or technical information shown thereon, nor any right to reproduce this drawing or any part thereof, except for manufacture by vendors of Atari, Incorporated and for manufacture under the corporation's written license, no right to reproduce this drawing is granted or the subject matter thereof unless by written agreement with or written permission from the corporation.		MATERIAL:	INDUSTRIAL DESIGN DATE	SIZE DRAWING NO. D 035678 - 01
		FINISH:	HARNES DESIGN DATE	
			PROJECT ENGR DATE 6/30/80	REV A
			MFG ENGR DATE 7/1/80	SCALE - SHEET 1 OF 3

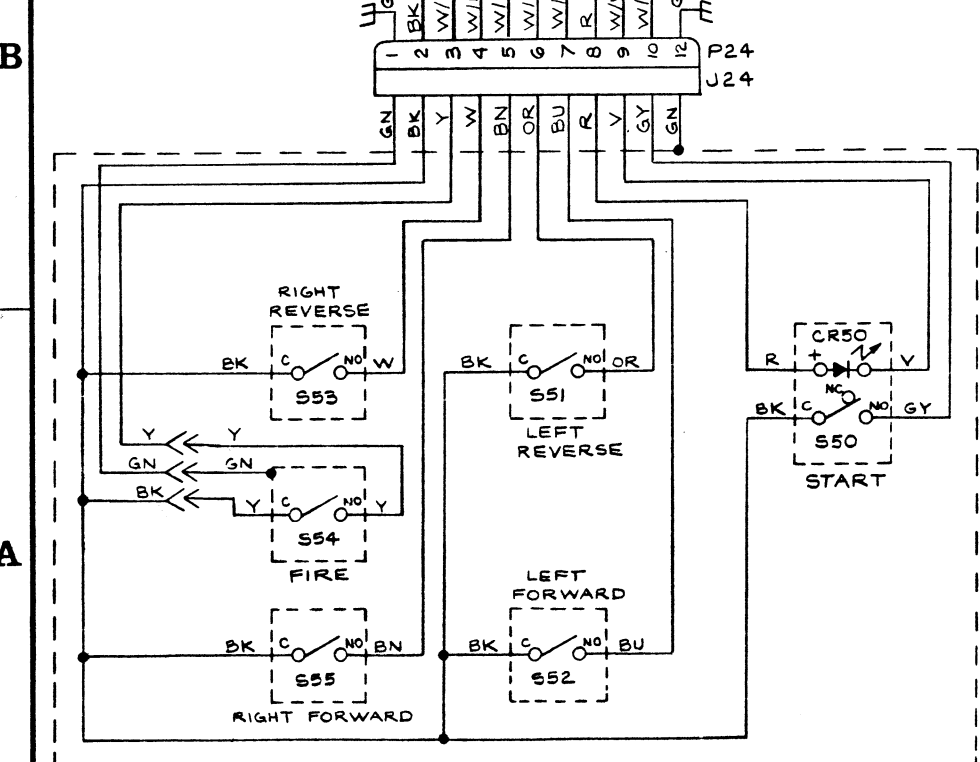
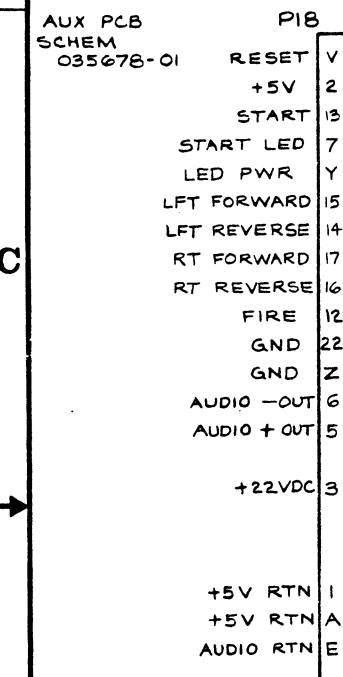
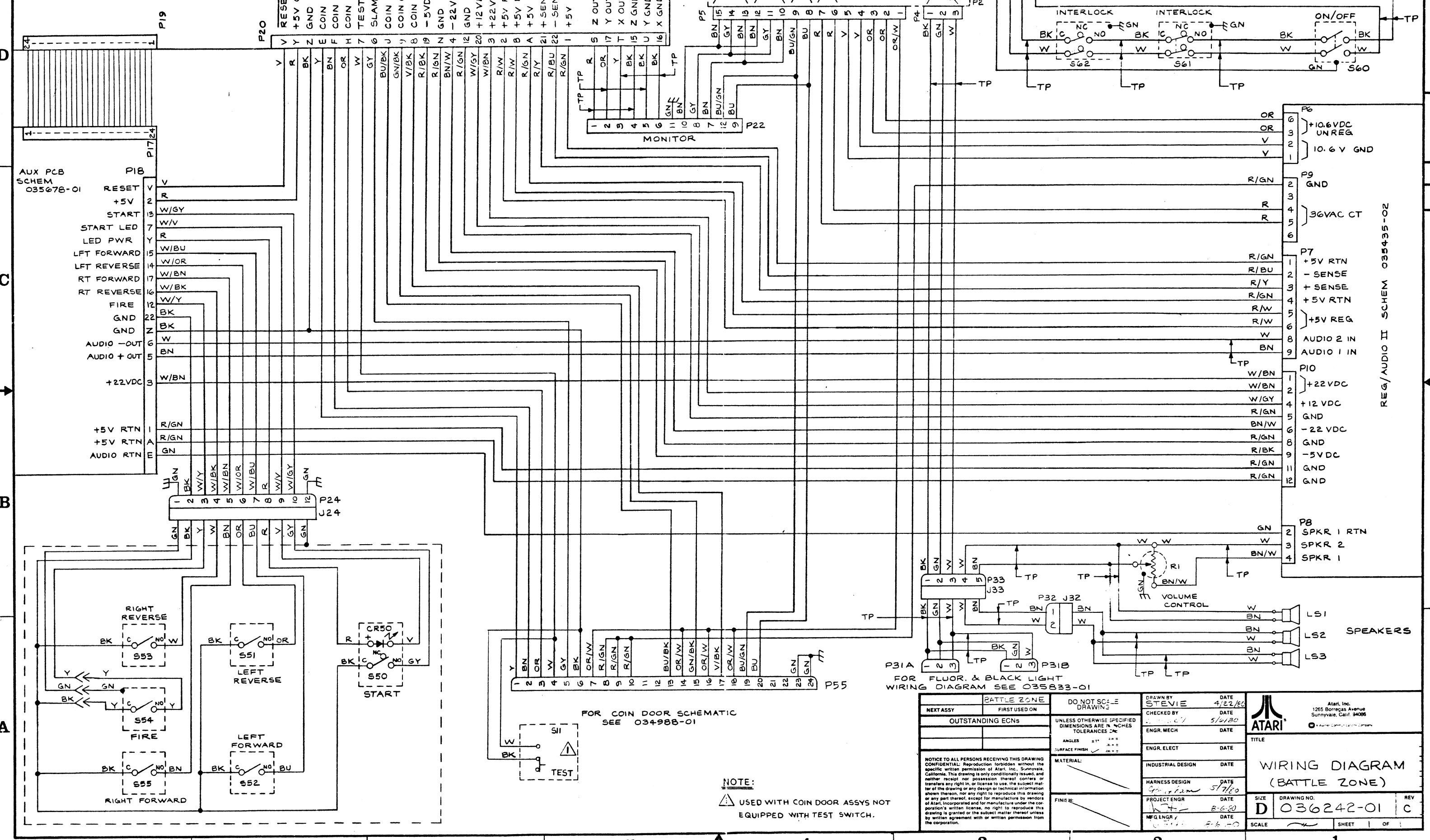
VECTOR GENERATOR PCB
SCHEM 035742-XX

- RESET
- +5V OUT
- GND
- COIN L
- COIN C
- COIN R
- TEST
- SLAM
- COIN CNTR R
- COIN CNTR C
- COIN CNTR L
- 5VDC
- GND
- 22VDC
- GND
- +12VDC
- +22VDC
- +5V REG
- +5V RTN
- +5V RTN
- +5V RTN
- SENSE
- +5V RTN
- Z OUT
- Y OUT
- X OUT
- Z GND
- Y GND
- X GND

POWER SUPPLY SCHEM. 035887-01

- 60 VAC CT
- 60 VAC CT
- 6.1 VAC
- 36 VAC CT
- GND
- GND
- 10.6 VDC
- 10.6 VDC
- 10.6 VDC
- 120 VAC OUT
- AC OUT
- AC
- ZC
- GND

REVISIONS				
SYM	DESCRIPTION	DATE	INCRP	CHECK APPROVED
1	PRE-PROD REL	5/7/80		
A	PROD REL	8/19/80		
B	REV PER ECN 8155	11/15/80		
C	REV PER ECN 8221	11/15/80		



FOR COIN DOOR SCHEMATIC
SEE 034988-01

NOTE:
USED WITH COIN DOOR ASSYS NOT
EQUIPPED WITH TEST SWITCH.

FOR FLUOR. & BLACK LIGHT
WIRING DIAGRAM SEE 035833-01

BATTLE ZONE	DO NOT SCALE DRAWING	DRAWN BY STEVIE	DATE 4/22/80	ATARI Atari, Inc. 1265 Borregas Avenue Sunnyvale, Calif. 94089 An American Corporation	
NEXT ASSY	FIRST USED ON	CHECKED BY	DATE 5/6/80		
OUTSTANDING ECNS	UNLESS OTHERWISE SPECIFIED DIMENSIONS ARE IN INCHES TOLERANCES ARE:	ENGR. MECH	DATE	TITLE WIRING DIAGRAM (BATTLE ZONE)	
	ANGLES ±1° ±5°	ENGR. ELECT	DATE		
	SURFACE FINISH ✓ ±.02	INDUSTRIAL DESIGN	DATE		
	MATERIAL	HARNESS DESIGN	DATE 5/1/80		
	FINISH	PROJECT ENGR	DATE 8-6-80	SIZE D DRAWING NO. 036242-01 REV C	
		MFG ENGR	DATE 8-6-80		
NOTICE TO ALL PERSONS RECEIVING THIS DRAWING CONFIDENTIAL: Reproduction forbidden without the specific written permission of Atari, Inc., Sunnyvale, California. This drawing is only conditionally issued, and neither receipt nor possession thereof confers or transfers any right in, or license to use, the subject matter of the drawing or any design or technical information shown thereon, nor any right to reproduce this drawing or any part thereof, except for manufacture by vendors of Atari, Incorporated and for manufacture under the corporation's written license, no right to reproduce this drawing is granted or the subject matter thereof unless by written agreement with or written permission from the corporation.				SCALE	SHEET 1 OF 1