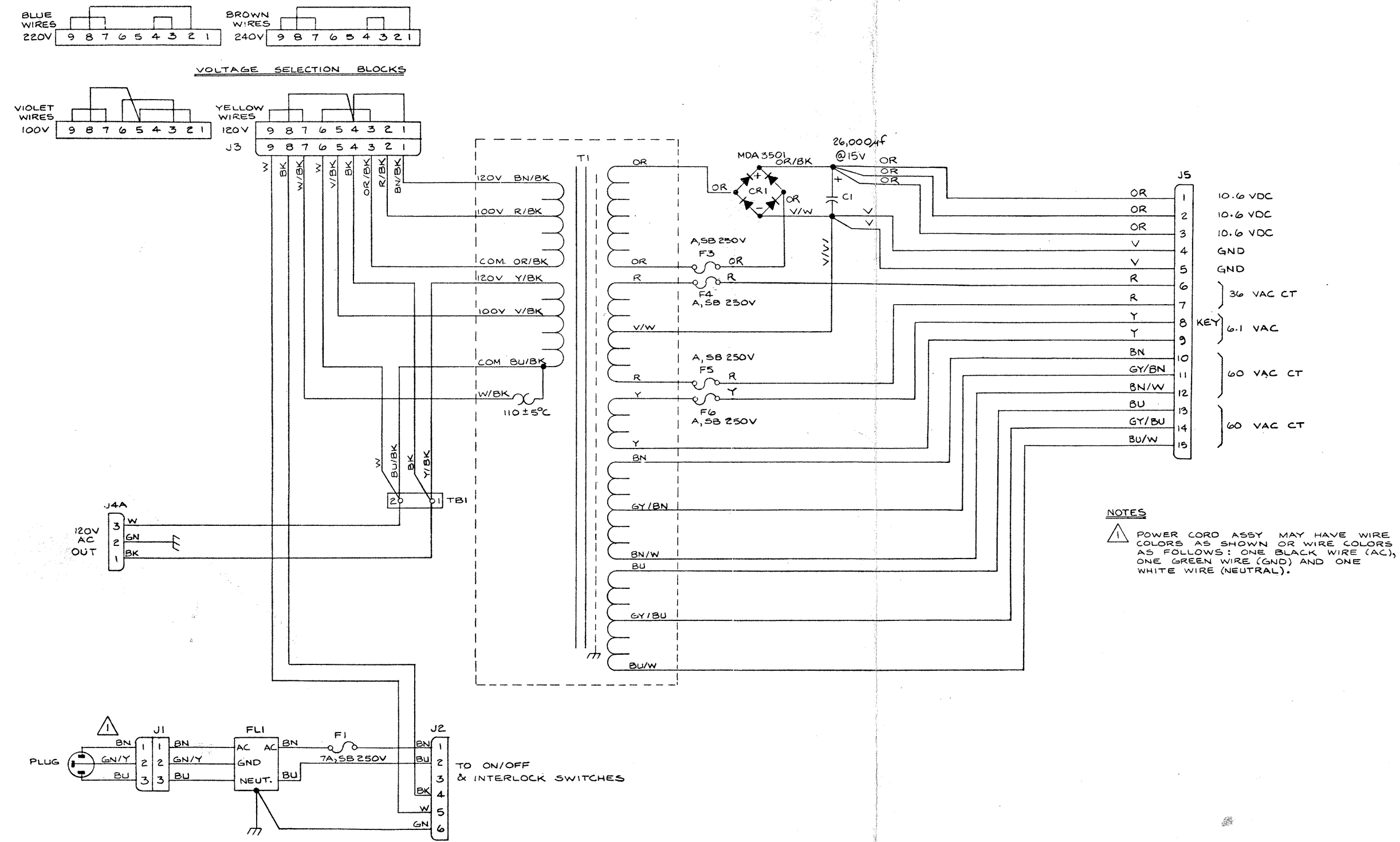


Power Supply Schematic (037669-01 A)



Regulator Audio II PCB Schematic (035435-02 E)

Regulator/Audio II PCB

The Regulator/Audio II PCB has the dual functions of regulating the +5 VDC logic power to the game PCB and amplifying the audio from the game PCB.

Regulator Circuit

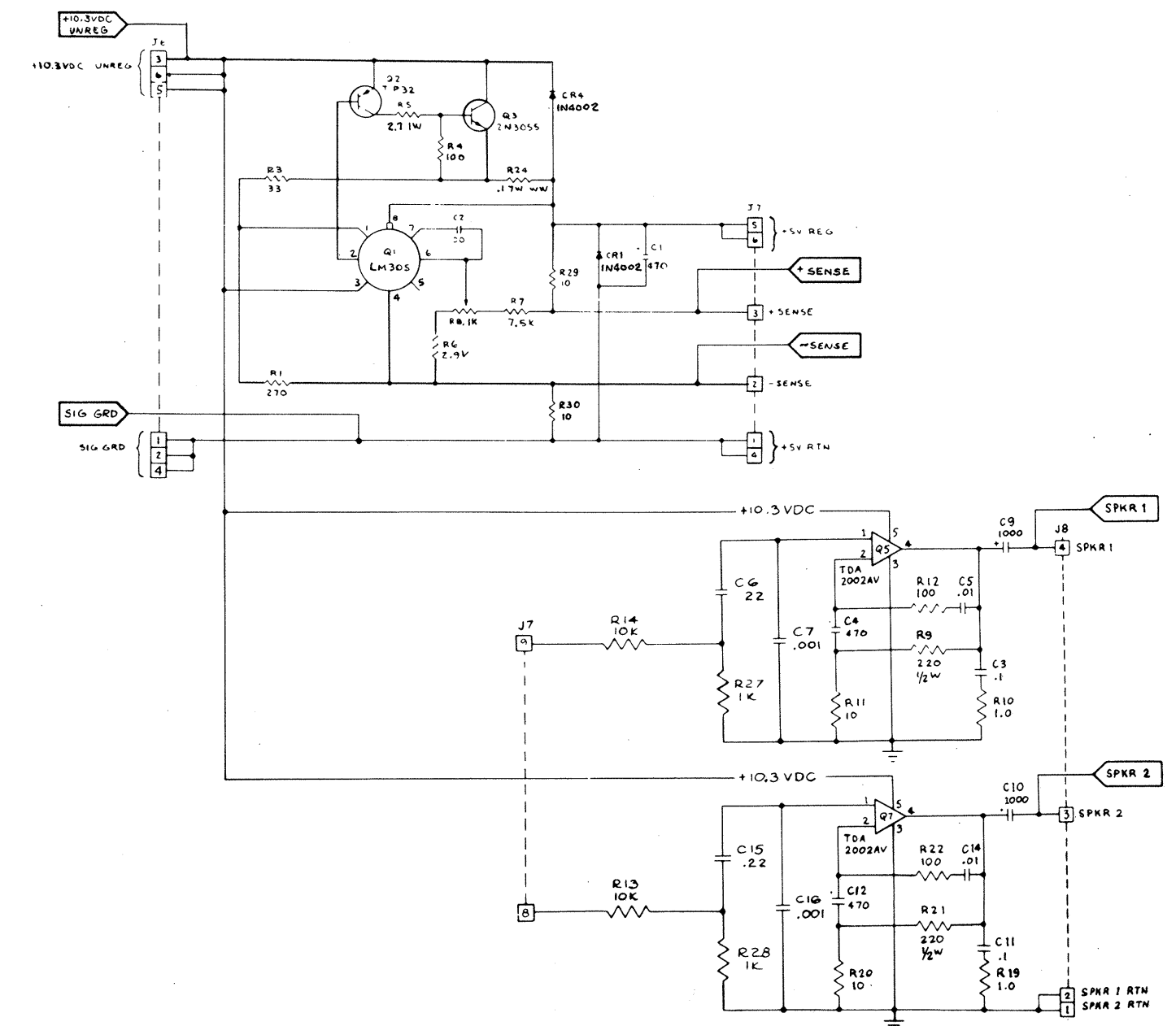
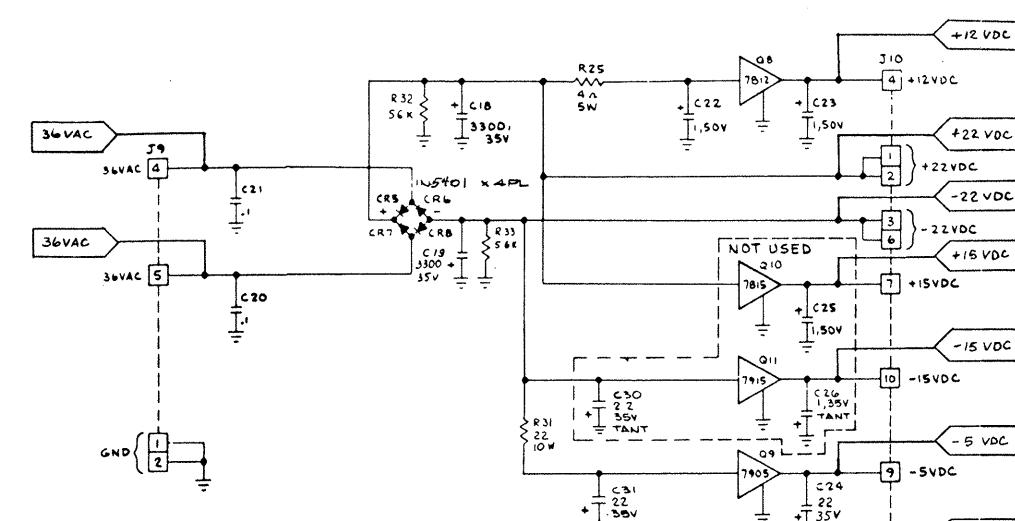
The regulator consists of voltage regulator Q1, power pass transistor Q3 and Q3's driver transistor Q2. The regulator accurately regulates the logic power input to the game PCB by monitoring the voltage through high-impedance inputs + SENSE and - SENSE. The inputs are directly from the +5 VDC and ground inputs to the game PCB. Therefore, the regulator regulates the voltage on the game PCB. This eliminates a reduced voltage due to IR loss in the wire harness between the regulator and the game PCB. Variable resistor R8 is adjusted for the +5 VDC on the game PCB. Once adjusted, the voltage at the input of the game PCB will remain constant at this voltage.

Regulator Adjustment

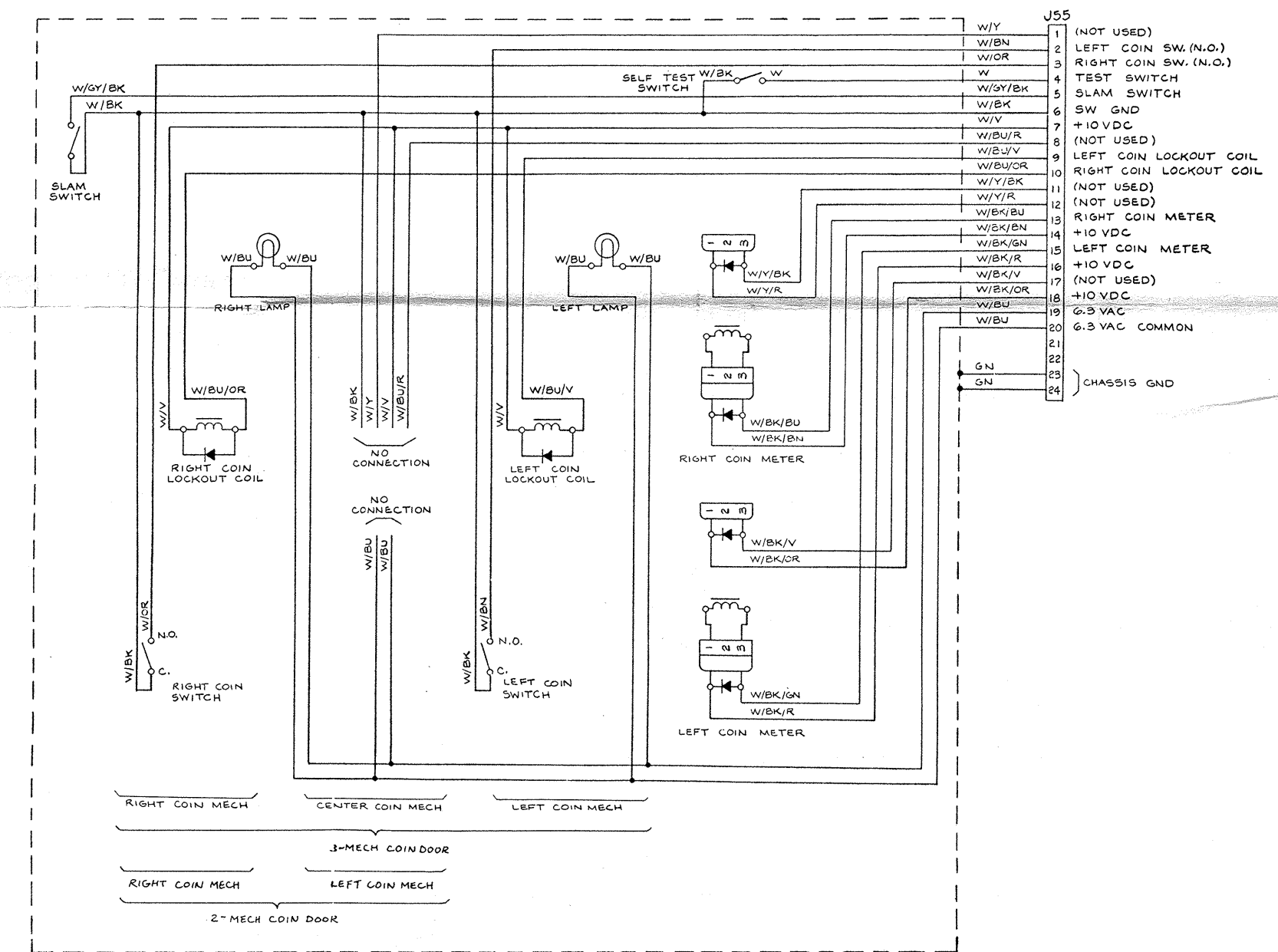
1. Connect a voltmeter between +5 V and GND test points of the game PCB.
2. Adjust variable resistor R8 on the Regulator/Audio II PCB for +5 VDC reading on the voltmeter.
3. Connect a voltmeter between +5 V REG and GND on the Regulator/Audio II PCB. Voltage reading must be greater than +5.5 VDC. If greater, try cleaning edge connectors on both the game PCB and the Regulator/Audio II PCB.
4. If cleaning PCB edge connectors doesn't decrease voltage difference, connect minus lead of voltmeter to GND test point of Regulator/Audio II PCB and plus lead to GND test point of game PCB. Note the voltage. Now connect minus lead of voltmeter to +5 REG test point on Regulator/Audio II PCB and plus lead to +5 V test point on game PCB. From this you can see which harness circuit is dropping the voltage. Troubleshoot the appropriate harness wire or harness connector.

Audio Circuit

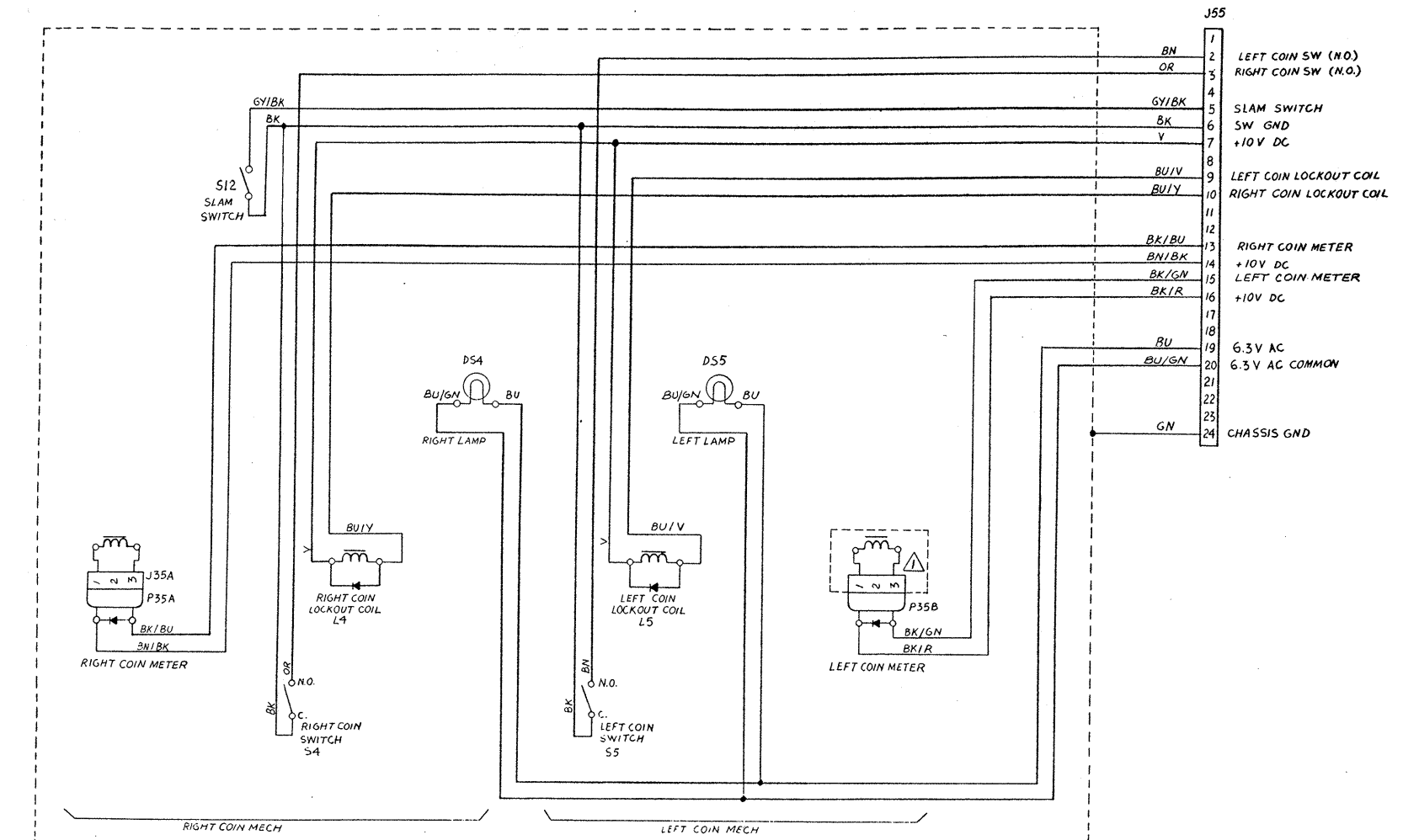
The audio circuit contains two independent audio amplifiers. Each amplifier consists of a TDA2002AV amplifier with an effective gain of 2.2.



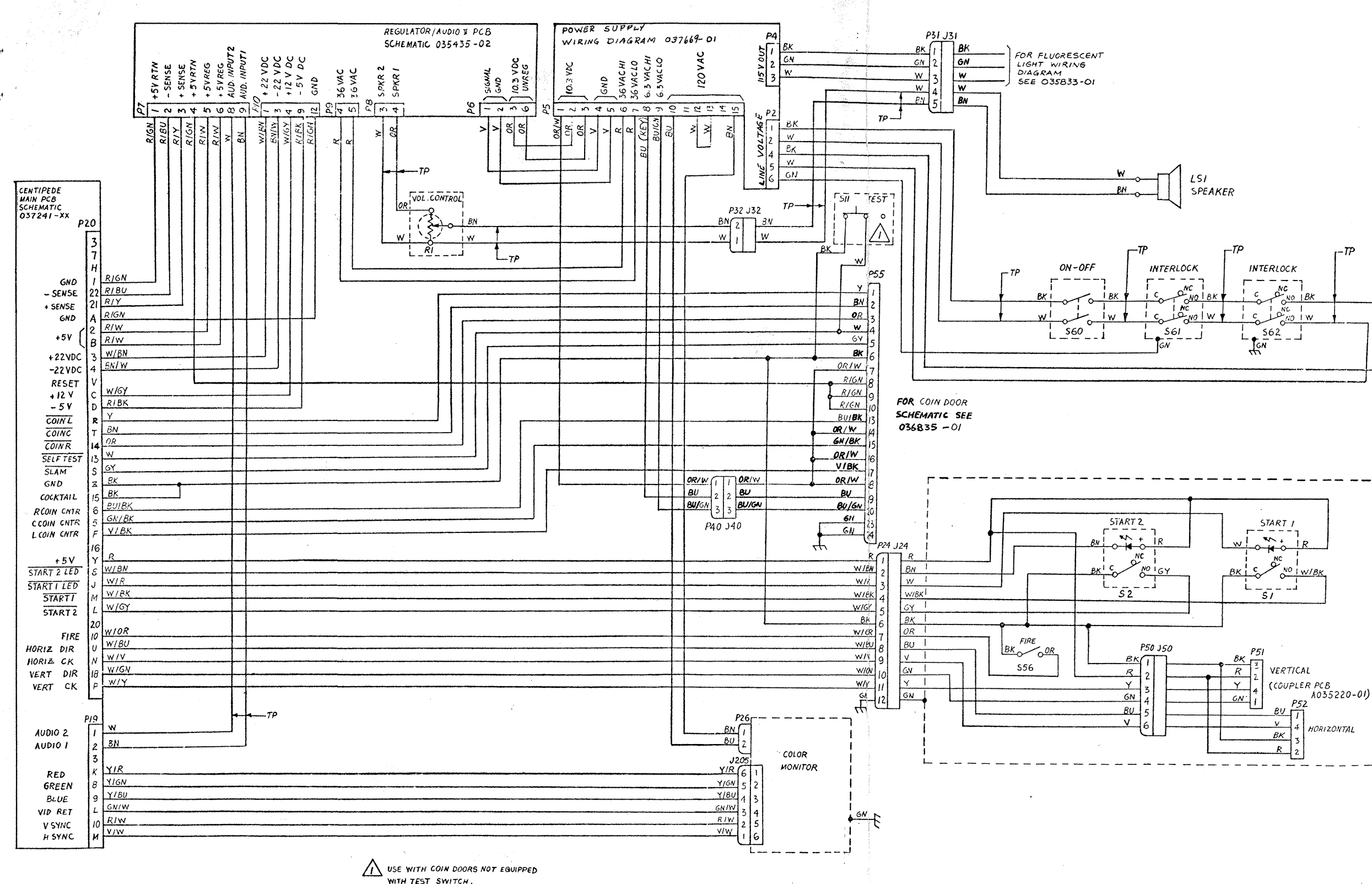
American-Made Coin Door Schematic (036835-01 A)



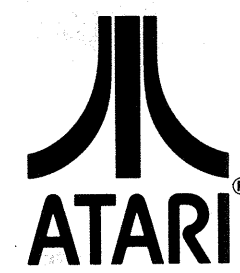
British-Made Coin Door Schematic (037050-01 A)



Centipede Wiring Diagram (037432-01 C)



NOTICE TO ALL PERSONS RECEIVING THIS DRAWING
CONFIDENTIAL: Reproduction forbidden without the specific written permission of Atari, Inc., Sunnyvale, CA. This drawing is only conditionally issued, and neither receipt nor possession thereof confers or transfers any right in, or license to use, the subject matter of the drawing or any design or technical information shown thereon, nor any right to reproduce this drawing or any part thereof. Except for manufacture by vendors of Atari, Inc., and for manufacture under the corporation's written license, no right to reproduce this drawing is granted or the subject matter thereof unless by written agreement with or written permission from the corporation.



Drawing Package Supplement

to

Centipede™

Operation, Maintenance and Service Manual

Contents of this Drawing Package

- Game Wiring Diagram, and Coin Door, Regulator/Audio II PCB, and Power Supply Schematics Sheet 1, Side A
- Microprocessor, Sync Generator, CAT Box Set-Up and Power Inputs Sheet 1, Side B
- Playfield Address Selector, Playfield Memory and Playfield Code Multiplexer Sheet 2, Side A
- Coin Counter Input Circuitry, Switch Inputs, Video Outputs and Mini-Trak Ball™ Circuitry Sheet 2, Side B