

CRYSTAL CASTLES

Operators Manual

With Illustrated Parts Lists





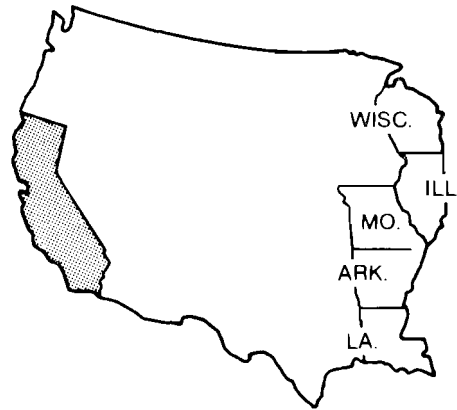
If reading through this manual does not lead to solving a certain maintenance problem, call TELEHELP® at the Atari Customer Service office in your geographical area, as shown below.

WEST and CENTRAL U.S.A.

Parts and Service

Atari, Inc.
California Customer Service Office
1105 N. Fair Oaks Avenue
P. O. Box 427, Sunnyvale, CA 94086
Telex 17-1103
(Monday–Friday, 7:30–4:00 pm Pacific Time)



-  From California, Alaska, or Hawaii
(408) 745-2900
-  Service from anywhere in the area shown in white
toll-free (800) 538-1611

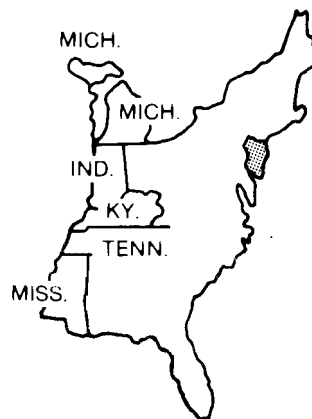


EAST U.S.A.

Service only

Atari, Inc.
New Jersey Customer Service Office
12A World's Fair Drive, Somerset, NJ 08873
Telex 37-9347
(Monday–Friday, 7:30–4:00 pm Eastern time)


-  From New Jersey
(201) 469-5993
-  From anywhere else in this area
toll-free (800) 526-3849

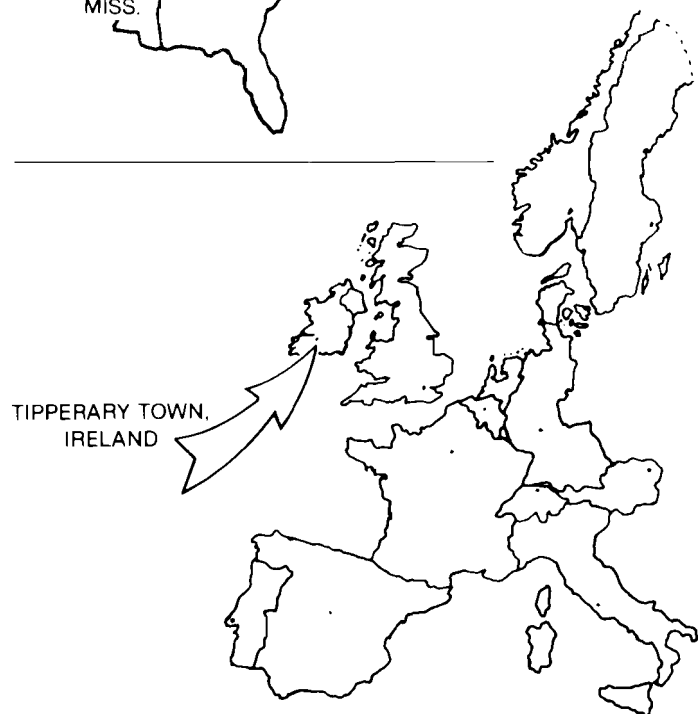


EUROPE

Parts and Service

Atari Ireland Limited
European Customer Service Office
Tipperary Town, Ireland
Telex 28-165
(Monday–Friday, 9:00–6:00 pm GMT)

-  062-52155



CRYSTAL CASTLES™

Operators Manual

With Illustrated Parts List



© 1983 by Atari, Inc.

All rights reserved.

No part of this publication may be reproduced by any mechanical, photographic, or electronic process, or in the form of a phonographic recording, nor may it be stored in a retrieval system, transmitted, or otherwise copied for public or private use, without permission from the publisher.

The game play, all graphic designs, this technical manual, its accompanying schematic diagrams, and the display manual are protected by the U.S. Copyright Act of 1976.

This Act provides for increased penalties for violating federal copyright laws. Courts *can impound* infringing articles while legal action is pending. If infringers are convicted, courts can *order destruction* of the infringing articles.

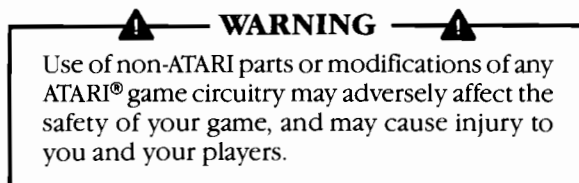
In addition, the Act provides for payment of statutory damages of up to \$250,000 in certain cases. Infringers may also have to pay costs and attorneys' fees and face an imprisonment of up to five years.

Atari will aggressively enforce its copyrights against any infringers. *We will use all legal means* to immediately halt any manufacture, distribution, or operation of a copy of video games made by us. Anyone who purchases such copies risks forfeiting such a game.

Published by: ATARI, INC.
790 Sycamore Drive
P.O. Box 906
Milpitas, California 95035

Printed in the U.S.A. **7M**

Notice Regarding Non-ATARI Parts



You may void the game warranty (printed on the inside back cover of this manual) if you do any of the following:

- Substitute non-ATARI parts in the game.
- Modify or alter any circuits in the game by using kits or parts *not* supplied by Atari.

NOTE

This equipment generates, uses, and can radiate radio frequency energy and if not installed and used in accordance with the instruction manual, may cause interference to radio communications. It has been tested and found to comply with the limits for a Class A computing device pursuant to Subpart J of Part 15 of Federal Communications Commission (FCC) Rules, which are designed to provide reasonable protection against such interference when operated in a commercial environment. Operation of this equipment in a residential area or modification to this equipment is likely to cause interference in which case the user, at his own expense, will be required to take whatever measures may be required to correct the interference. If you suspect interference from an ATARI® game at your location, check the following:

- All green ground wires in the game are properly connected as shown in the game wiring diagram.
- The power cord is properly plugged into a grounded three-wire outlet.
- The game printed-circuit boards (PCB) are properly installed within the Electromagnetic Interference (EMI) cage.
- The EMI Shield PCB is properly installed and connected in series with the game PCB harness.
- All filter capacitors required on the EMI Shield PCB are properly soldered in place.

If you are still unable to solve the interference problem, please contact ATARI Customer Service. See the inside front cover of this manual for service in your area.

Table of Contents

| | | |
|----------|--|-----|
| 1 | Set-Up | |
| | How to Use This Manual | 1-1 |
| | Game Overview | 1-3 |
| | Installation Specifications | 1-3 |
| | Inspecting the Game | 1-3 |
| | Voltage-Plug Selection and Fuses | 1-4 |
| | Switch Locations | 1-5 |
| | Selecting the Coin, Credit, and Game Options | 1-5 |
| | Game Play | 1-6 |
| | Power-Up Self-Test Mode | 1-6 |
| | Attract Mode | 1-6 |
| | Ready-to-Play Mode | 1-7 |
| | Play Mode | 1-7 |
| | | |
| 2 | Self-Test | |
| | Entering Self-Test | 2-2 |
| | Self-Test Main Menu | 2-3 |
| | | |
| 3 | Troubleshooting | |
| | Troubleshooting Aids | 3-2 |
| | Troubleshooting Techniques | 3-2 |
| | | |
| 4 | Maintenance | |
| | Cleaning Requirements | 4-2 |
| | Opening the Control Panel | 4-2 |
| | Pushbutton Leaf Switches | 4-2 |
| | Lighted Midi Trak-Ball Assembly | 4-2 |
| | Video Display Shield | 4-4 |
| | Speaker Grille Assembly | 4-4 |
| | Removing the ATARI CRT Assembly | 4-6 |
| | | |
| 5 | Illustrated Parts Lists | |
| | For complete list of all illustrations, see following page | |

Glossary of Terms

Glossary of Terms begins on page *GL-1*

List of Illustrations

| | | |
|-------------|---|-----|
| Figure 1-1 | Game Overview | 1-2 |
| Figure 1-2 | Voltage-Selection Plug and Fuse Locations | 1-4 |
| Figure 1-3 | Switch Locations | 1-5 |
| Figure 1-4 | Opponents of Castle 3, Level 7 | 1-8 |
| Figure 2-1 | Test Passes Video Display | 2-2 |
| Figure 2-2 | EEROM Failure Video Display | 2-2 |
| Figure 2-3 | ROM Failure Video Display | 2-2 |
| Figure 2-4 | Self-Test Main Menu Video Display | 2-3 |
| Figure 2-5 | Grid Video Display | 2-3 |
| Figure 2-6 | Accounting Video Display | 2-3 |
| Figure 2-7 | Clear Accounting Video Display | 2-4 |
| Figure 2-8 | Game Options Video Display | 2-4 |
| Figure 2-9 | EEROM Test OK Video Display | 2-5 |
| Figure 2-10 | Switch Test Video Display | 2-5 |
| Figure 4-1 | Midi Trak-Ball™ Assembly and Lubrication | 4-3 |
| Figure 4-2 | Excessive Shaft Wear | 4-4 |
| Figure 4-3 | Speaker Grille Removal | 4-5 |
| Figure 4-4 | Speaker Removal | 4-5 |
| Figure 4-5 | CRT Removal | 4-6 |

Illustrated Parts Lists

| | | |
|-------------|--|------|
| Figure 5-1A | Cabinet-Mounted Assemblies, US-Built Cabinet | 5-2 |
| Figure 5-2 | Control Panel Assembly | 5-5 |
| Figure 5-3 | Lighted Midi Trak-Ball™ Assembly | 5-6 |
| Figure 5-4 | Fluorescent Tube and Attraction Panel Assembly | 5-8 |
| Figure 5-5 | Speaker Assembly | 5-9 |
| Figure 5-6 | Utility Panel Assembly | 5-10 |
| Figure 5-7 | Vertically Mounted Coin Door | 5-11 |
| Figure 5-8 | American-Made Coin-Door Assembly | 5-14 |
| Figure 5-9 | EMI Cage Assemblies and PCB Mounting Hardware | 5-18 |
| Figure 5-10 | EMI Shield PCB Assembly | 5-20 |
| Figure 5-11 | Crystal Castles™ PCB Assembly | 5-22 |
| Figure 5-12 | Regulator/Audio II PCB Assembly | 5-29 |
| Figure 5-13 | Power Supply Assembly | 5-32 |

List of Tables

| | | |
|-----------|-------------------------------------|-----|
| Table 1-1 | Installation Requirements | 1-3 |
| Table 2-1 | RAM Failure Tone Sequence | 2-2 |

Safety Summary

The following safety precautions apply to all game operators and service personnel. Specific warnings and cautions will be found throughout this manual where they apply.

⚠ WARNINGS ⚠

Properly Ground the Game. Players may receive an electrical shock if this game is not properly grounded! To avoid electrical shock, do not plug in the game until it has been inspected and properly grounded. This game should only be plugged into a grounded 3-wire outlet. If you have only a 2-wire outlet, we recommend you hire a licensed electrician to install a grounded outlet. Players may receive an electrical shock if the control panel is not properly grounded! After servicing any parts on the panel, check that the grounding clip is firmly secured to the metal tab on the inside of the control panel. Only then should you lock up the game.

AC Power Connection. Before connecting the game to the AC power source, verify that the proper voltage-selection plug is installed on the game's power supply.

Disconnect Power During Repairs. To avoid electrical shock, disconnect the game from the AC power source before removing or repairing any part of the game. When removing or repairing the video display, extra precautions must be taken to avoid electrical shock because high voltages may exist within the display circuitry and cathode-ray tube (CRT) even after power has been disconnected. Do not touch internal parts of the display with your hands or metal objects! Always discharge the high voltage from the CRT before servicing this area of the game. To discharge the CRT: Attach one end of a large, well-insulated, 20-kV jumper to ground. Momentarily touch the free end of the grounded jumper to the anode by sliding it under the anode cap. Wait two minutes and discharge the anode again.

Use Only ATARI Parts. To maintain the safety integrity of your ATARI game, do not use non-ATARI parts when repairing the game. Use of non-ATARI parts or other modifications to the game circuitry may adversely affect the safety of your game, and injure you or your players.

Handle Fluorescent Tube and CRT With Care. If you drop a fluorescent tube or CRT and it breaks, it may implode! Shattered glass can fly six feet or more from the implosion.

Use the Proper Fuses. To avoid electrical shock, use replacement fuses which are specified in the parts list for this game. Replacement fuses must match those replaced in fuse type, voltage rating, and current rating. In addition, the fuse cover must be in place during game operation.

CAUTION

Properly Attach All Connectors. Make sure that the connectors on each printed-circuit board (PCB) are properly plugged in. Note that they are keyed to fit only one way. If they do not slip on easily, do not force them. A reversed connector may damage your game and void the warranty.

Set-Up

How to Use This Manual

This manual, written for game operators and service technicians, describes your new ATARI game.

Chapter 1 contains a game overview, game specifications, inspection procedures, voltage plug and fuse information, switch locations, and option information.

Chapter 2 contains self-test procedures.

Chapter 3 contains troubleshooting procedures.

Chapter 4 contains maintenance and repair procedures.

Chapter 5 contains illustrated parts lists. Notes in this chapter refer you to other places in the manual for more detailed information.

Schematic diagrams of the game circuitry are included as a supplement to this manual.



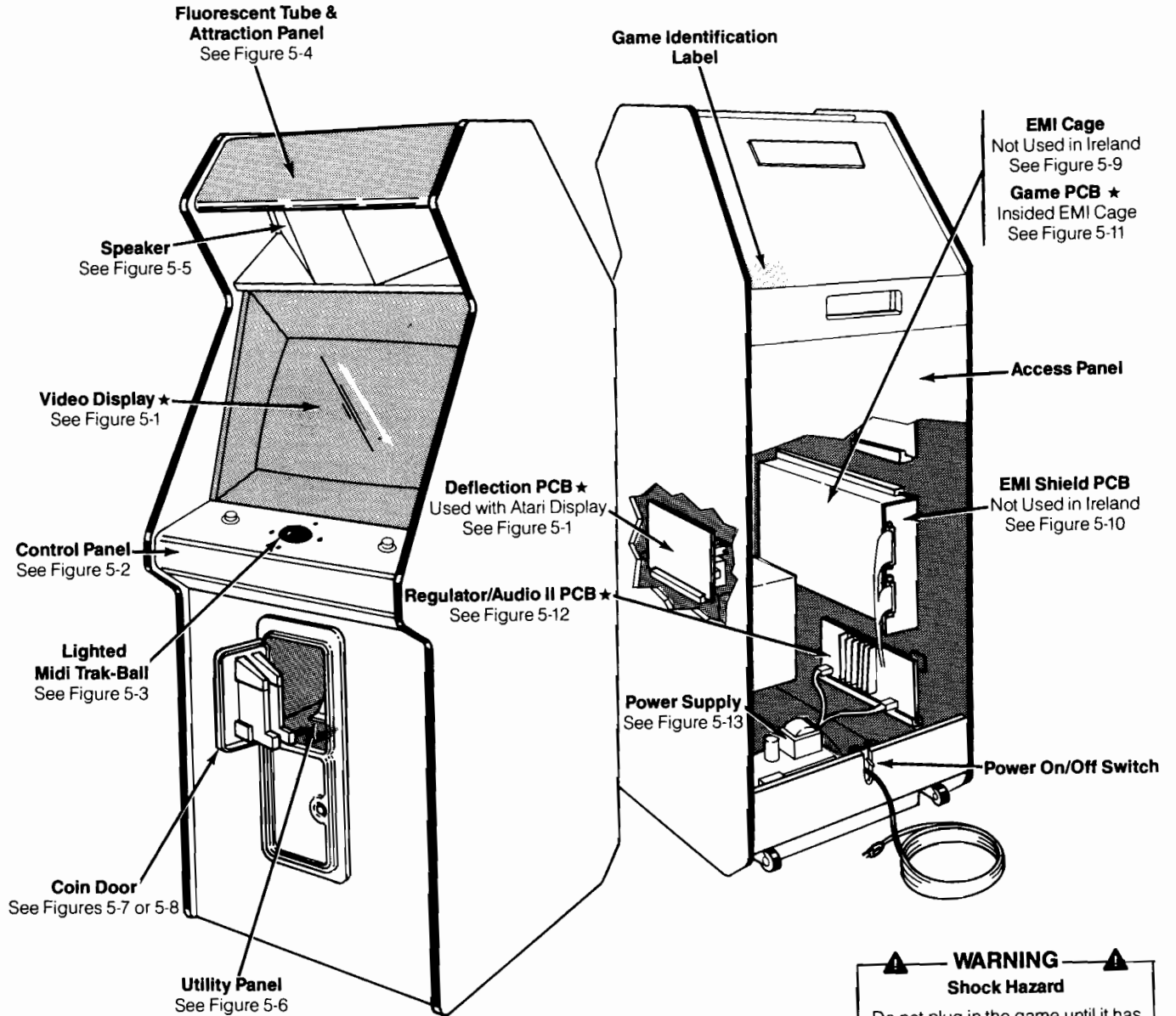
⚠ WARNING ⚠

Shock Hazard

To avoid electrical shock, do not plug in the game until it has been inspected and properly set up for the line voltage in your area.

Do not touch internal parts of the display with your hands or metal objects!

Chapter 1



★ Item with a serial number label

WARNING
Shock Hazard

Do not plug in the game until it has been inspected. This game should only be connected to a grounded 3-wire outlet. If you have only a 2-wire outlet, we recommend you hire a licensed electrician to install a grounded outlet. Players may receive an electrical shock if this game is not properly grounded!

Figure 1-1 Game Overview

Game Overview

Crystal Castles is a merry chase into a mythical land of incredible creatures that thrill at every turn of game play. Its hero, Bentley Bear, collects gemstones as he moves around 16 different playfields, including a castle, fortress, palace, and even a dungeon. Scary creatures, such as nasty trees, gem eaters, a swarm of bees, and Berthilda the witch, chase Bentley Bear as he explores tunnels, elevators that take him from one plateau to another, and sometimes a secret ramp.

Crystal Castles has three new features. Even if you are familiar with Atari games, you should note these important differences:

Lighted Midi Trak-Ball™. The Midi Trak-Ball on the control panel of this game is translucent. A small lamp controlled by the game PCB shines through the ball. The result is a glowing Trak-Ball. During game play, the lamp flashes on and off creating a spectacular effect.

Game Playfield Color Changes. You may notice that the castles and gems occasionally change colors. This is a feature, not problems with the color display. After each one hundred paid games, the color schemes of the castles change colors.

All major parts of the cabinet are illustrated in Figure 1-1.

Installation Specifications

Table 1-1 describes the physical, electrical, and environmental specifications of the game.

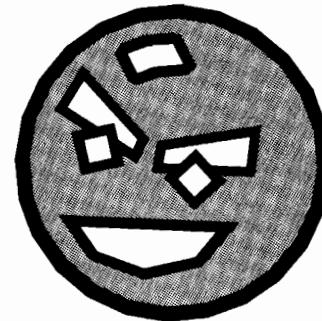
Table 1-1 Installation Requirements

| Characteristic | Requirement |
|-------------------|------------------------------|
| Power Consumption | 120 W |
| Temperature | 0° to +32°C (+32° to +100°F) |
| Humidity | Not to exceed 95% relative |
| Line Voltage | 100 to 240 VAC |
| Width | 65.4 cm (25.75 in.) |
| Depth | 78.7 cm (31 in.) |
| Height | 182.9 cm (72 in.) |

Inspecting the Game

Please inspect your game carefully to ensure that it was delivered to you in good condition.

1. Examine the exterior of the game cabinet for dents, chips, or broken parts.
2. Remove the screws from the rear access panel. Unlock and open this panel and the coin door. Inspect the interior of the game as follows:
 - a. Ensure that all plug-in connectors (on the game harnesses) are firmly plugged in. Replug any connectors found unplugged. Do not force connectors together. The connectors are keyed so they only fit in the proper orientation. *A reversed edge connector may damage a printed-circuit board (PCB) and will void your warranty.*
 - b. Ensure that all plug-in integrated circuits on each PCB are firmly plugged into their sockets.
 - c. Unhook the power cord from the top of the game cabinet. Inspect the power cord for any cuts or dents in the insulation. Repair or replace it as required.
 - d. Inspect the power supply. Make sure the fuse block is mounted in place. Check that the green ground wires are connected.
 - e. Inspect other major subassemblies, such as the control panel, video display, EMI cage, and each PCB. Make sure they are mounted securely and that the green ground wires are connected.



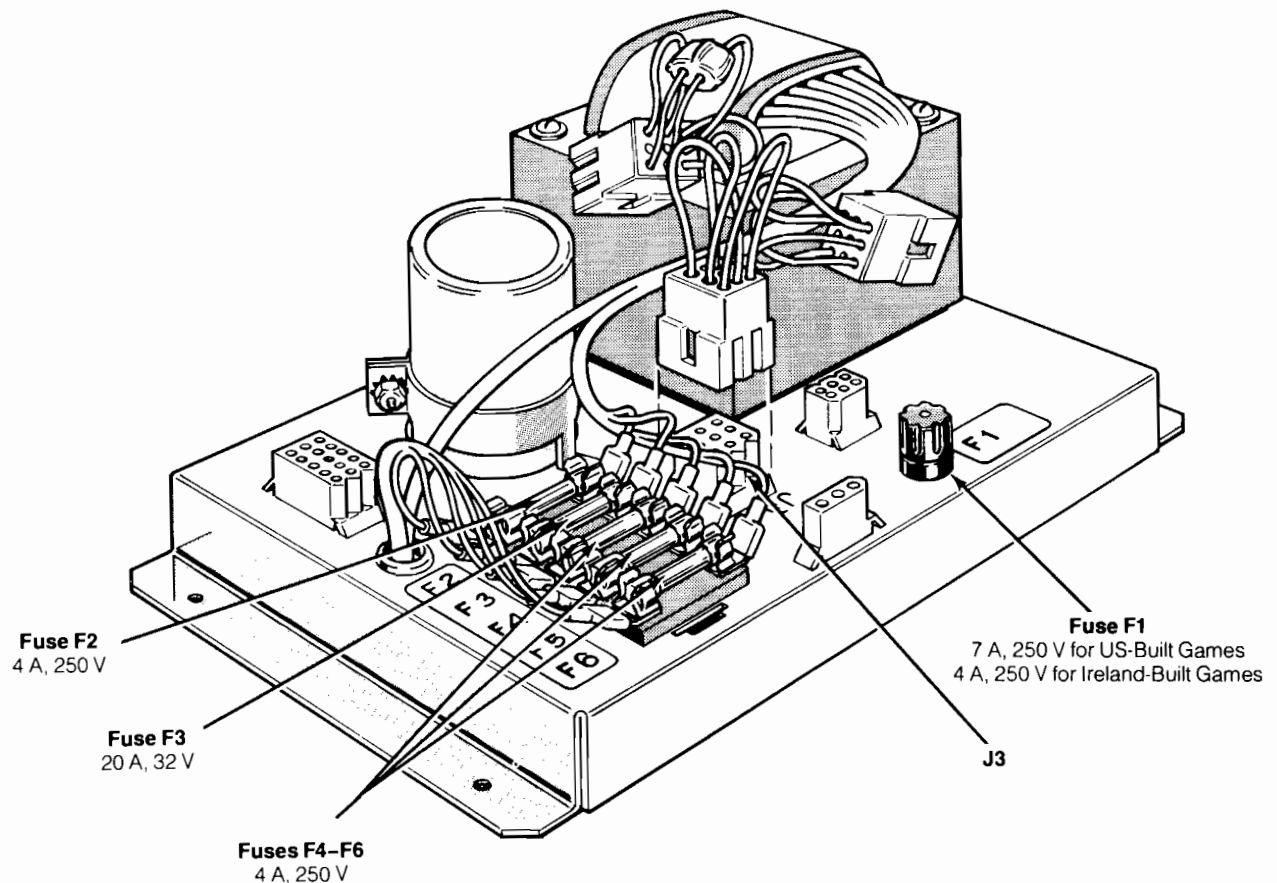
Voltage-Plug Selection and Fuses

The power supply in your game contains six fuses. When you replace a fuse, use the identical type fuse with the same electrical rating (see Figure 1-2).

This power supply operates on the line voltage of many countries. The power supply comes with either one, two, or three voltage-selection plugs. Plug voltages and wire colors are 100 VAC (violet wire color), 120 VAC (yellow wire color), 220 VAC (blue wire color), and 240 VAC (brown wire color).

See Figure 1-2 for placement of the voltage-selection plug. Before plugging in your game, check your line voltage. Next, check the wire color on the voltage-selection plug. Make sure the voltage-selection plug is correct for the line voltage of your location.

Now plug the game into a **grounded 3-wire** outlet.



Fuse cover is shown in Figure 5-13.

Figure 1-2 Voltage-Selection Plug and Fuse Locations

Switch Locations

Power On/Off Switch

The power on/off switch is located on the back of the cabinet on the lower left side (see Figure 1-1).

Utility Panel Switches

The volume control, coin counter(s), self-test switch, and auxiliary coin switch are on the utility panel. The utility panel is located inside the upper coin door (see Figure 1-2). The volume control adjusts the level of sound produced by the game. The coin counter(s) records the number of coins entered into the game. The self-test switch initiates the self-test mode. The auxiliary coin switch credits the game without activating a coin counter. See Figures 1-3 and 5-6 for details of these switches.

Option Switch

Figure 1-3 shows the location of the dual-inline-package (DIP) switch at R8 on the game printed-circuit board (PCB). This option switch controls whether coins are counted on 1 or 2 coin counters.

Setting the Coin Counter Switch

Toggle 1 of this option switch is the only switch that is used. When set to the ON position, the left and right coin counter outputs of the game PCB are paralleled together.

Therefore, any coin received from the right or left coin inputs will be counted on one counter connected to either the left or right coin-counter output. The US-built games have one coin counter. Therefore, on US-built games, toggle 1 of the switch should be set to ON.

When toggle 1 is set to OFF, a second coin counter must be connected to the unconnected coin counter output. For Ireland-built games, the second coin counter is standard. Therefore, on Ireland-built games, toggle 1 of the switch should be set to OFF.

Selecting the Coin, Credit, and Game Options

Setting the coin, credit, and game options is done with the player controls during the Self-Test mode of operation. Therefore, you should never need to remove the game PCB from the electromagnetic interference (EMI) cage unless the PCB is in need of repair. All selected options are retained in a special integrated circuit (IC) on the PCB. Even when the power is turned off, the selected options are saved in this IC.

To select the coin, credit, and game options, see Chapter 2, Self-Test Procedures.

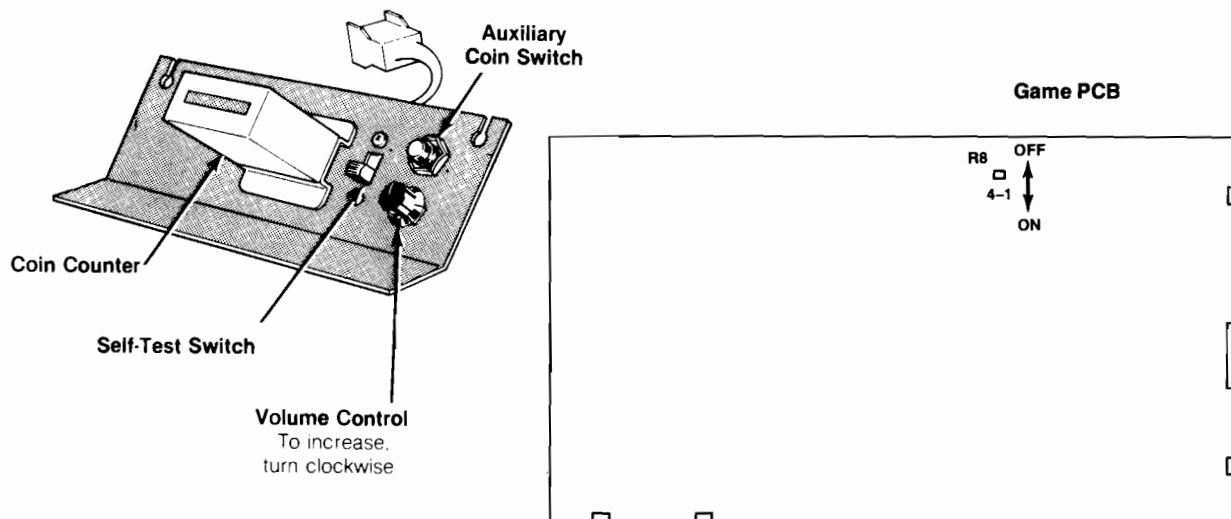


Figure 1-3 Switch Locations

Game Play

Crystal Castles is a fast-action, 1- or 2-player, third-person adventure game. By using the Lighted Midi Trak-Ball, the player moves Bentley Bear about the castle walkways and walls to collect gems. To avoid being overpowered by gem eaters, nasty trees, or bee swarms, use the left- or right-hand jump buttons.

Crystal Castles has 6 modes of operation: the power-up self-test mode, the attract mode, the ready-to-play mode, the play mode, the hall-of-fame entry mode, and the self-test mode.

Power-Up Self-Test Mode

The power-up self-test mode begins when power is applied to the game. The power-up self-test checks the random-access memory (RAM), the electrically erasable read-only memory (EEROM), and the read-only memory (ROM) of the game PCB. If any of these tests fail, a message on the display or tones from the game speakers identify the failing component(s). If the tests pass, the game program advances to the attract mode. Refer to Chapter 2 for a description of the menu-driven self-test mode selected by the self-test switch located on the utility panel.

Attract Mode

The attract mode consists of 4 displays: the coin message display, the game demonstration display, the hall-of-fame display, and the hints display.

The coin message display begins after the power-up self-test, after the play mode, or after the hall-of-fame entry mode. This display lasts for about 10 seconds and is only interrupted by depositing a coin or by entering the self-test mode. The coin message display starts with a three-dimensional painting of the game playfield and the first-level, first-wave castle. At the top left of the display is a box that, during game play, contains the player(s) score(s). During the attract mode, the score(s) are displayed only if the player(s) of the previous game didn't get a high enough score to enter their initials into the hall-of-fame table.

At the top right of the display, the coin message appears in a large box. In this box, the message *INSERT COINS* appears and disappears. Immediately below the insert coins message is the message *0 CREDITS*. If the previous player reached castle 2 of level 2 (or beyond), the highest score of the hall-of-fame table appears immediately above the insert coins message. The initials entered for the highest score of the hall-of-fame table appear carved into the roof of the castle.

The game demonstration display begins immediately after the coin message display. This display lasts about 10 seconds and is only interrupted by depositing a coin or by entering the self-test mode. The game demonstration display is similar to the coin message display except that Bentley Bear, three opponent crystal balls, and the gems are now displayed. The gems are on the walkways and walls of the castle. In the top right message box are the messages *CRYSTAL CASTLES* and *COPYRIGHT ATARI 1983 ALL RIGHTS RESERVED*. Soon after the beginning of this display, Bentley Bear moves about the castle walkway collecting gems. Point values appear in the top left box for each gem collected by Bentley Bear. Bentley Bear jumps a few times before coming in contact with one of the opponent balls. When Bentley Bear comes in contact with the ball, the cartoon caption #!?! comes from the mouth of Bentley Bear. Next, Bentley Bear "flies to heaven."

The hall-of-fame display begins immediately after the game demonstration display. This display lasts about 10 seconds and is only interrupted by depositing a coin or by entering the self-test mode. At the top of the display is the message *CRYSTAL CASTLES HALL OF FAME*. Below this is a two-column listing of the 32 highest scores. If this list is cleared in the self-test mode, the scores range from a low of 27,000 to a high of 30,000 points.

The hints display begins immediately after the hall-of-fame display, or immediately following a game mode in which the player(s) did not reach a score level sufficient for entering initials in the hall-of-fame entry mode. This display has the word *HINTS* across the top of the display, followed by four game hints.

The first hint is about the magic hat that Bentley Bear can wear to make himself invincible. Both the hat and Bentley Bear are shown on the screen with the message *MAGIC HAT MAKES YOU INVINCIBLE. WEAR IT AND YOU CAN KILL BERTHILDA*.

The second hint shows two gem eaters. One is eating gems and the other is shown moving from side to side. With these is the message *CATCH GEM EATERS WHEN THEY ARE EATING. STAY AWAY WHEN THEY ARE MOVING FROM GEM TO GEM*.

The third hint shows the bee swarm with the message *TAKE TOO MUCH TIME AND THE SWARM RETURNS*.

The fourth hint show the trees with the message *JUMP OVER TREES TO STUN THEM*.



Ready-to-Play Mode

The ready-to-play mode begins when a coin is accepted by one of the two game coin mechanisms. This mode lasts until enough coins are received for a 1- or 2-player game and the 1-player or 2-player button is pressed. This mode is identical to the coin message display of the attract mode, except the coin message shows the number of credits, from a possible ½ credit to a maximum of 18 credits, resulting from coin(s) deposited into the game coin mechanism.

Play Mode

The play mode begins when enough coins have been deposited in the game coin mechanism and the 1-player or 2-player start button is pressed. This mode ends after the last life has been lost during game play.

The player's objective is to collect all the gems from the castle walkways and walls by moving Bentley Bear about the castle with the Trak-Ball controller. Bentley Bear must collect all the gems without being killed by any of the 8 possible computer-controlled opponents—crystal balls, trees, a swarm of bees, gem eaters, Berthilda the witch, a ghost, a skeleton, or a dust devil. In the lower levels of game play, this feat is easily learned by new players. In higher levels, experience, skill, and luck help the player to accomplish the objective.

When game play begins, Bentley Bear is at the lower right corner of the castle walkway. Immediately after the player's control is enabled for moving Bentley Bear, the opponents are displayed about the castle walkways and walls. The player may move Bentley Bear either up or down the stairs or the elevators to get the gems. When Bentley Bear passes over a gem, the gem disappears. Points are scored for each gem collected by Bentley Bear and shown in the score display area. If Bentley Bear collects all the gems from the castle, the player receives bonus points. The initial bonus is 1,000 points for the first castle of the first level. The bonus is increased by 100 points for each subsequent castle (i.e., the bonus for castle 2 of level 1 is 1,200 points; castle 1 of level 2 is 1,400 points; etc.).

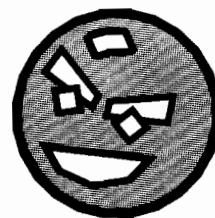
When a start button is pressed, the gems and Bentley Bear appear on the castle walkway and the game tune begins. Soon afterward, three crystal balls (the only opponents of this wave) drop from above and land at the far right corner of the castle walkway. These three balls begin a slow pursuit of Bentley Bear. As the Trak-Ball is rotated, Bentley Bear moves about the walkway. As he passes over a gem, the gem disappears and a score value is added to the score in the window at the top left of the display. If Bentley Bear gets all the gems, the three balls rise out of sight above the castle. Then Bentley Bear also disappears. If Bentley Bear gets the last gem, the message *YOU GOT THE LAST GEM. BONUS 1000* appears across the castle. If the opponents get the last gem, the message *THEY GOT THE LAST GEM. NO BONUS* appears across the the castle.

Crystal Castles consists of 37 castle mazes that are laid out with a walkway between each castle. The castles are arranged in ten levels with four castles on each level, except for level 10, which has only one castle. As Bentley Bear advances to the next castle on each level, the difficulty in collecting all the gems increases. Each level also increases in complexity. The result is a nice variety of mazes, from the easy first castle of level 1 to the extremely difficult castles in the higher levels. At the beginning of play at each castle, a message appears in the window at the top right of the display. This message identifies the level being played. Other messages, such as next bonus point level, also appear in this window.

A message may appear in the message window to identify the activation of a warp. For example, if a player reaches castle 2 of level 2 (or beyond), a door appears in the first castle of level 1. If Bentley Bear enters into this door and the player presses the jump button, Bentley Bear will warp (advance) to the first castle of the third level. Some secret warps also exist.

In this printing of the manual, we will tell you of two secret warps. One is located at the rear corner of the first castle of level 1. To use this warp, the player must move Bentley Bear to this spot and press the jump button. Bentley Bear will advance to the first castle of level 3. The second secret warp is in the rear corner of the hidden ramp of the first castle of level 3. However, Bentley Bear must be wearing the hat when he jumps at this location. When this warp is used, Bentley Bear will advance to the first castle of level 5. Future printings of this manual will include other secret warps.

Bentley Bear has eight opponents: crystal balls, trees, a swarm of bees, gem eaters, Berthilda the witch, a ghost, a skeleton, and a caldron. Figure 1-4 shows six of these opponents, which are encountered during game play. If Bentley Bear touches a gem eater while it is in the process of eating a gem, the gem eater dies and 500 points are awarded the player. However, if the gem eater is not eating a gem when Bentley Bear touches it, Bentley Bear dies. When Bentley Bear is wearing his magic red hat, he is invincible. When he is wearing the hat he has the power to kill Berthilda the witch when he touches her. However, the magic of the hat only lasts about 5 seconds.



Each of the opponents has its own characteristic. The swarm of bees appears near the honey approximately every five seconds. However if Bentley Bear takes the honey, he collects 1,000 points for the honey, and the bees will appear less frequently. The gem eaters are relatively stupid creatures. The only thing they are interested in is eating gems. However, if gems are not in their area, the gem eaters will rush around randomly looking for gems. The crystal balls and trees act much the same. They will go

directly for Bentley Bear. However, if Bentley keeps obstacles between him and either of these opponents, he is relatively safe from attack. The skeleton and the ghost usually stay within their immediate areas, move about randomly, but not very fast. They guard their area well. Berthilda the witch flies around on her broom in one small area in the lower levels of game play. However, in the higher levels she boldly flies about the castles.

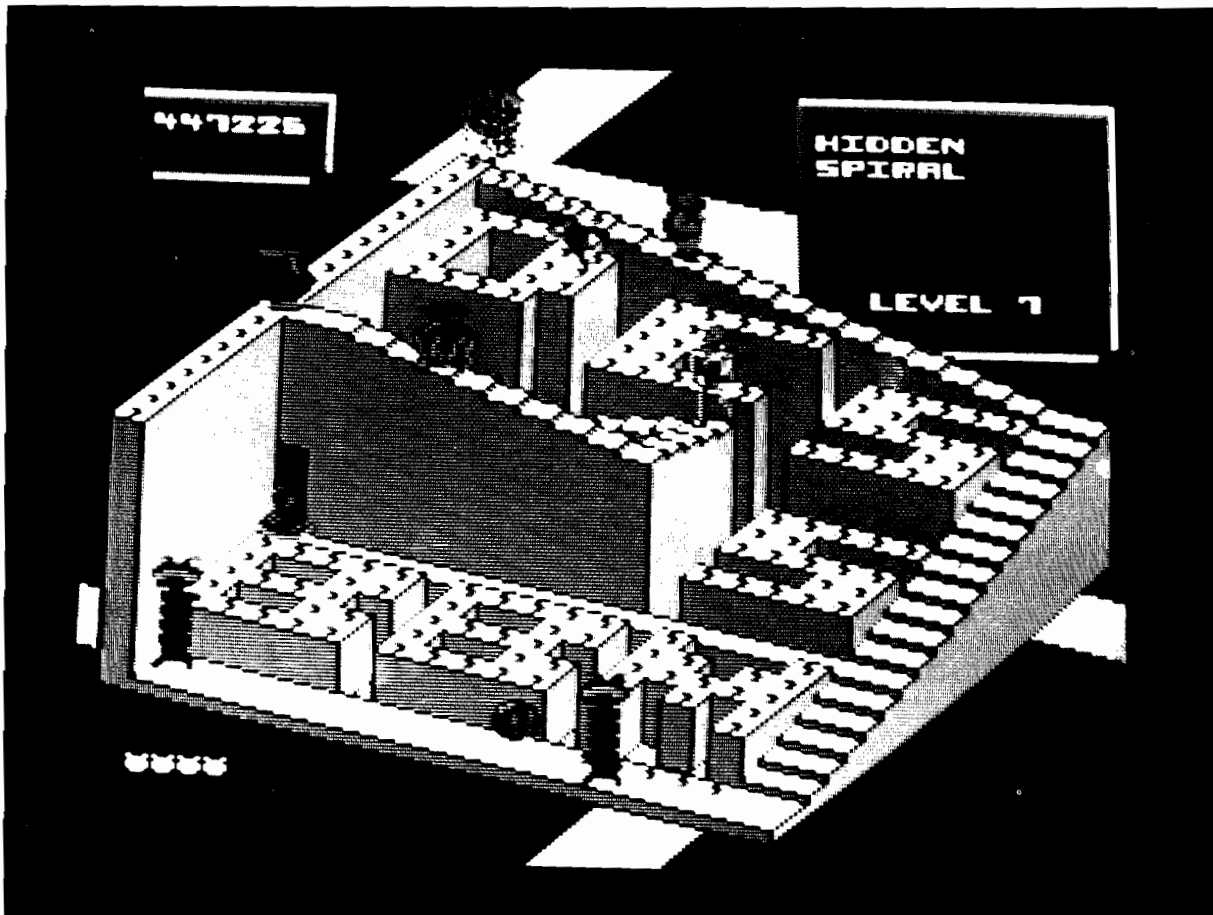
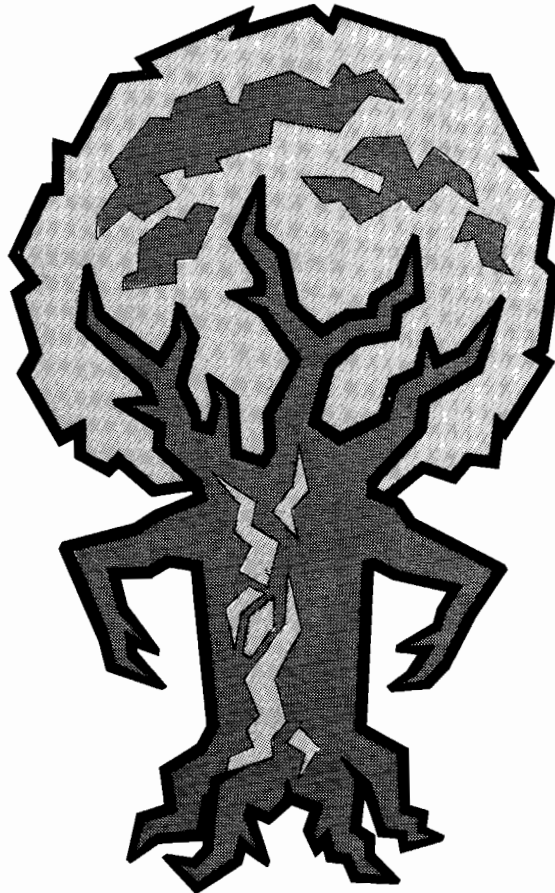


Figure 1-4 Opponents of Castle 3, Level 7

Self-Test

This game will test itself and provide data to show that the game circuitry and controls are operating properly. Self-test data is presented visually on the video display and audibly through the speakers. No additional equipment is required.

We suggest you perform a self-test when you first set up, each time you collect money, change the game options, or suspect game failure.



Entering Self-Test

To enter the self-test mode, set the self-test switch on the utility panel to the ON (up) position (see Figure 1-3 for the location of this switch). The game tests the custom Input/Output (I/O) integrated circuits (ICs), the random-access memory (RAM), the bit-mode circuitry, the electronically erasable read-only memory (EEROM), and the read-only memory (ROM). Figure 2-1 shows the resulting video display if these tests pass. The custom I/O test is the only test not shown on the video display. If this test passes, you will hear sounds that range from a low frequency to a high frequency.

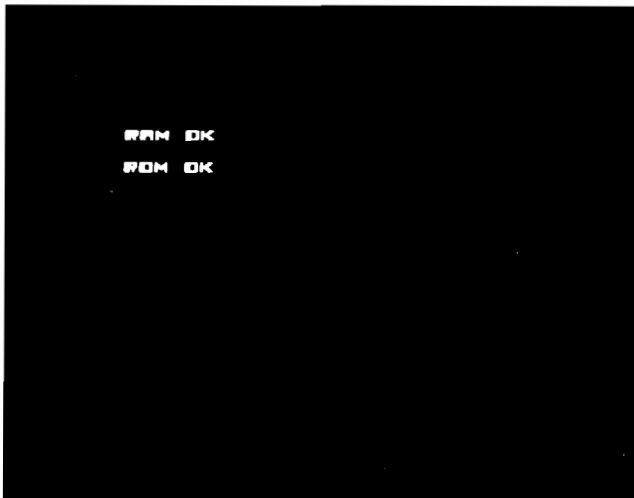


Figure 2-1 Test Passes Video Display

If the RAM fails, a sequence of seven “beep” sounds will be emitted from the game speakers, followed by a pause, then the sounds will be repeated. Table 2-1 identifies the failing RAM for the emitted sounds. In this table, the “High” indicates high tones from the game speaker and the “Low” indicates low tones.

If the bit-mode circuitry fails, a sequence of “beep” sounds will be emitted as follows: High, low, high, low, low, low, low.

If the EEROM fails, the video display will identify the failed IC as shown in Figure 2-2. The display will indicate a failed IC at either location 4A or 4B.

If a ROM fails, the video display will be as shown in Figure 2-3. In this figure, integrated circuit 1L has failed. The correct checksums are as follows: checksum 01 for 1K, 02 for 1L, 03 for 1N, 04 for 1H, and 05 for 1F. Checksums of any other value indicate a failure for that IC.

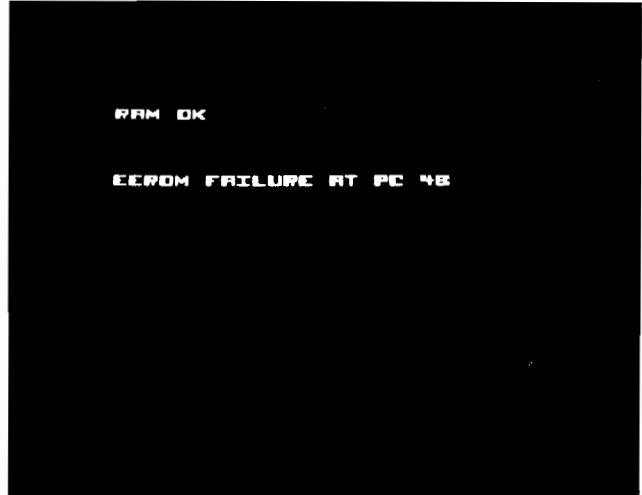


Figure 2-2 EEROM Failure Video Display

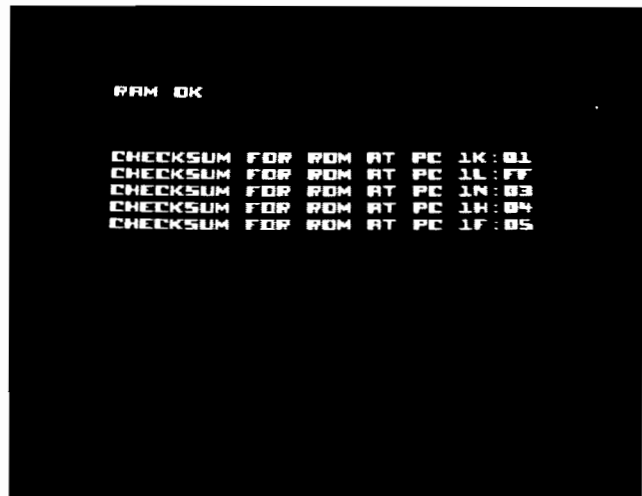


Figure 2-3 ROM Failure Video Display

Table 2-1 RAM Failure Tone Sequence

| Tone Sequence | | | | | | | PCB Location |
|---------------|------|------|------|------|------|-----|--------------|
| 1 | 2 | 3 | 4 | 5 | 6 | 7 | |
| High | Low | Low | Low | Low | Low | Low | RAM at 4E |
| High | High | Low | Low | Low | Low | Low | RAM at 4F |
| High | High | High | Low | Low | Low | Low | RAM at 4H |
| High | High | High | High | Low | Low | Low | RAM at 4J |
| High | High | High | High | High | Low | Low | RAM at 6B |
| High | High | High | High | High | High | Low | RAM at 6D |

Self-Test Main Menu

If all initial self-tests pass, the main menu will be displayed as shown in Figure 2-4. This menu allows you to select from seven different items. As indicated at the bottom of the display, set the self-test switch to off (down) to exit from self-test.

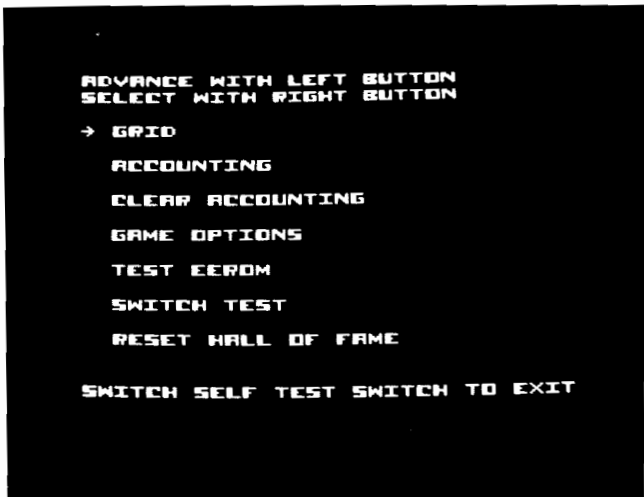


Figure 2-4 Self-Test Main Menu Video Display

Grid Display

The grid display shown in Figure 2-5 is used for adjusting the video display. When properly adjusted, the grid should be white on a black background. The corners of the grid should just barely go off the corners of the display.

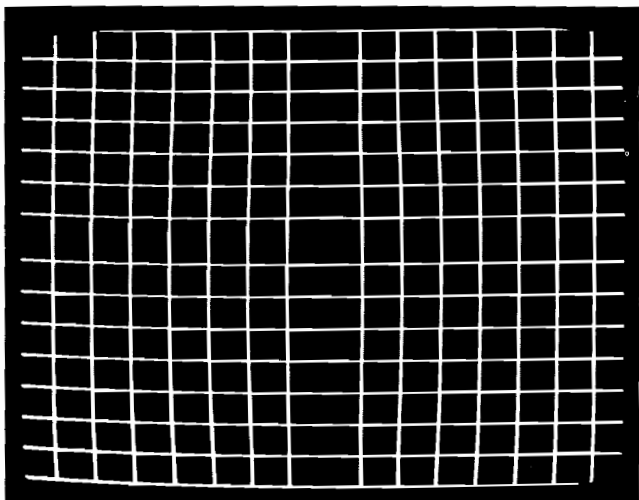


Figure 2-5 Grid Video Display

Accounting Display

The accounting display shown in Figure 2-6 is used for displaying historical information about the game. The photograph shown in Figure 2-6 was taken of an engineering prototype game. Therefore, in our example, no coins are shown for the left mechanism and only two coins for the right mechanism; but 46 coin credits are shown for the auxiliary coin switch. Ordinarily, the coin information is never cleared unless the EEROM are changed or damaged. Thus, this information may be compared with the information from the mechanical coin counter(s) for determining the accuracy of the mechanical coin counters.

The most important information shown on the accounting display is the average game time. This time should be *between 2 and 3 minutes*. The display in Figure 2-6 is a good example of optimum game time. A histogram of game time is shown at the bottom of the screen.

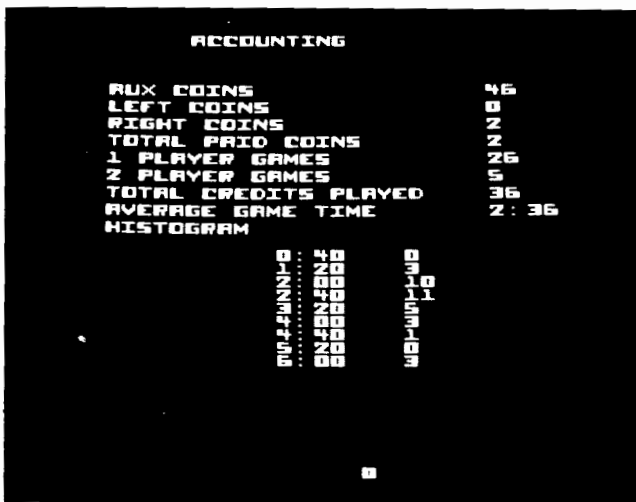


Figure 2-6 Accounting Video Display



Clear Accounting Display

The clear accounting video display is shown in Figure 2-7. Note that the coin information is never cleared.

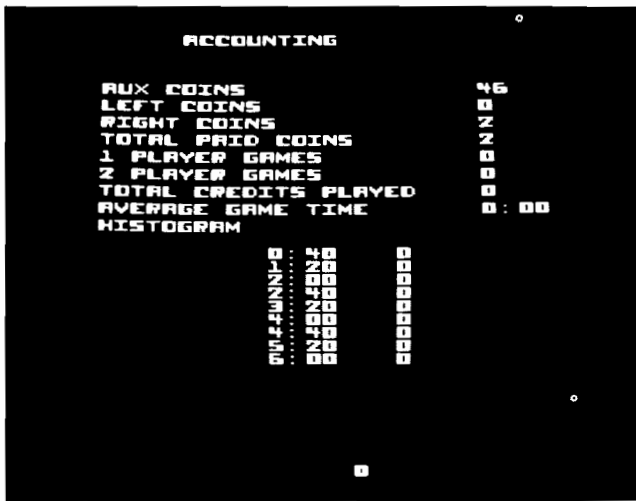


Figure 2-7 Clear Accounting Video Display

Game Options Menu

The manufacturer's recommended game options are shown in Figure 2-8. To move the arrow that points to each selectable option, press the left JUMP button. To change the option, press the right JUMP button. All available options are as follows:

COIN VALUE. The coin-value option determines the number of coins entering the left or right coin mechanisms, required to play one game. The values available are ½, 1, or 2. For game demonstrations, the FREE PLAY option is also available.

LEFT MECH VALUE. The available left mechanism values are 1 or 2. The chosen value multiplies the coins received in this mechanism by that value. When set to 1, a coin dropped into the left coin mechanism of the coin door has the value of 1 coin. When set to 2, a coin dropped into this mechanism has the value of 2.

RIGHT MECH VALUE. The available right mechanism values are 1, 4, 5, or 6. The chosen value multiplies the coins received in this mechanism by that value. This option makes it possible to receive coins with a higher denomination than the left mechanism.

GAME DIFFICULTY. This option allows you to increase or decrease the difficulty of the game, thus increasing or decreasing the average game time. When used with the accounting display, you may tune the game for the optimum game time of 2 minutes and 30 seconds by setting this option to EASY, MEDIUM, HARD, or HARDEST.

STARTING LIVES. This option allows you to increase the number of lives per game from 3 to 5. The available options are 3, 4, and 5. Using this option along with the accounting display will allow you to tune the game for an optimum average game time of 2 minutes and 30 seconds.

EXTRA LIVES. This option allows you to award bonus lives for every 70,000 points scored. The available options are YES and NO. Using this option along with the accounting display will allow you to tune the game for the optimum average game time of 2 minutes and 30 seconds.

RESTORE FACTORY OPTIONS. This option allows you to restore the options to those retained in the game program memory. These factory-recommended options are shown in Figure 2-8.

EXIT. This is not an option, but the way back to the main menu.

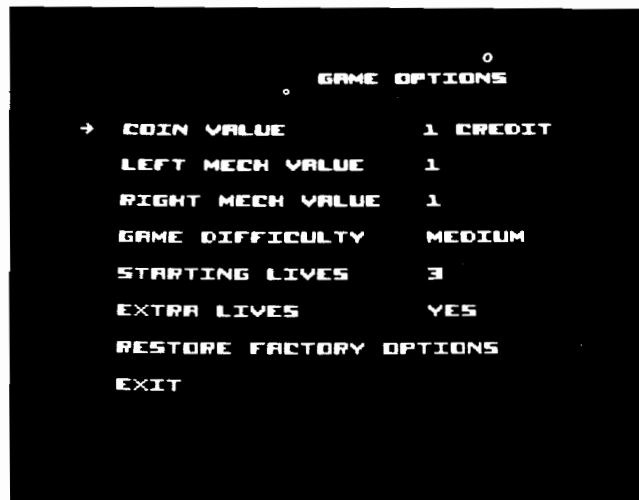


Figure 2-8 Game Options Video Display



Test EEROM Display

If the EEROM test passes, the results of the test are shown in Figure 2-9. If either EEROM integrated circuit 4A or 4B fails, the failed IC will be displayed as shown in Figure 2-2. However, the message RAM OK will not be displayed.



Figure 2-9 EEROM Test OK Video Display

Switch Test Display

In the switch test, the left, right, and auxiliary coin switches; the left and right JUMP switches; and the Midi Trak-Ball are tested. When each switch is activated, the location of that switch appears on the display. In Figure 2-10 all switches are activated. When the left JUMP switch is pressed, the motion-object pictures change from one group to another. When the right JUMP switch is pressed, the motion-object pictures change within that group of pictures.

The Midi Trak-Ball is tested by rotating the ball vertically and horizontally. The hexadecimal numbers by the words HOR and VERT increase from 00 through FF, or decrease from FF through 00, as the ball is rotated. Likewise, the numbers beside the words GREEN and BLUE increase from 0 to 7. The GREEN numbers increase or decrease with a horizontal motion of the Midi Trak-Ball. The BLUE numbers increase or decrease with a vertical movement of the control. Also, the colors of the color bar at the bottom of the display change shades of green when the ball is rotated horizontally and shades of blue when moved vertically.

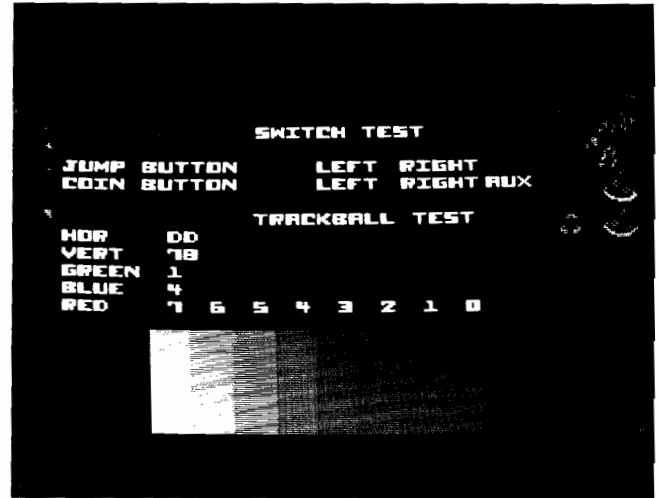
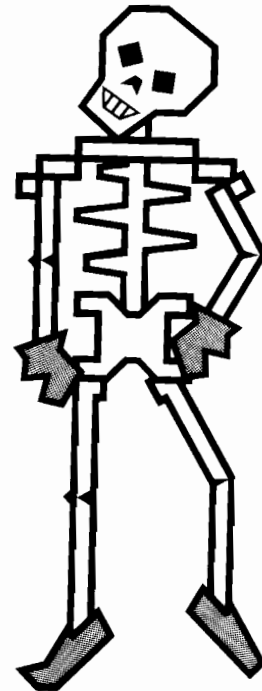


Figure 2-10 Switch Test Video Display

Reset Hall-of-Fame

When you select this from the main menu, the entire hall-of-fame table is reset to initials and scores that are within the program memory. The scores in this table range from 27,000 to 30,000 points. We suggest you reset these after any changes are made to the options that may affect the average game time.



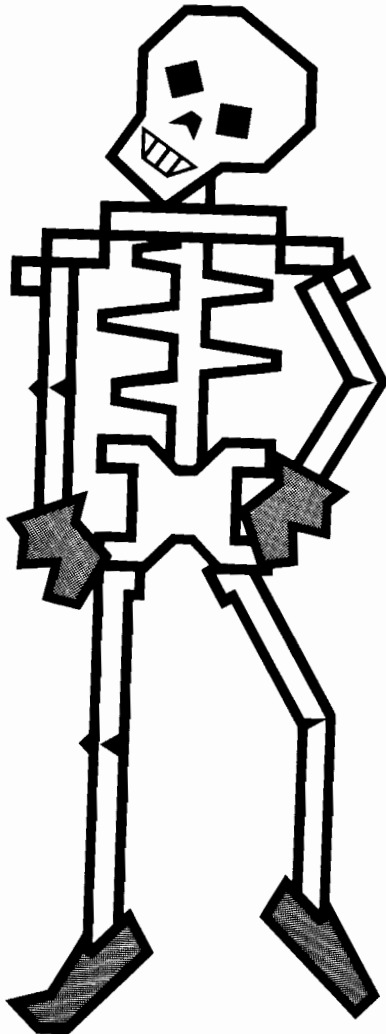
Troubleshooting

This chapter contains a discussion of troubleshooting aids and techniques to assist the service technician when a trouble is suspected in this game. Most troubles can be located quickly by following the information in this chapter. However, if problems persist, contact your nearest Atari Customer Service office listed on the inside front cover of this manual for assistance.

A thorough knowledge of game operation is desirable for effective troubleshooting. In addition to the operation and service information in the Schematic Package Supplement included with this manual, refer to *The Book, A Guide To Electronic Game Operation and Servicing*, available from Atari, Inc., for more information on coin-operated electronic games.

NOTE

We recommend that troubleshooting and repair procedures be performed by a qualified electronic technician.



Troubleshooting Aids

Troubleshooting aids are provided throughout this manual and the Schematic Package Supplement. The following information is intended to acquaint the service technician with the portions of these documents that contain useful troubleshooting and repair information.

Assembly and Component Locations

The illustrated parts lists in Chapter 5 illustrate the locations of assemblies and components. Printed-circuit board (PCB) illustrations aid in rapidly locating components contained on the corresponding schematic diagram(s).

Schematic Diagrams

Complete schematic diagrams are provided in the Schematic Package Supplement. Component designations and their electrical values are included on the schematic diagrams. A memory map and a key to the schematic reference designators and symbols are also included in the Schematic Package Supplement.

Troubleshooting Procedures

This game will test itself and provide data to aid in localizing troubles to a major circuit. Self-test procedures are provided in Chapter 2. Refer to the following section on Troubleshooting Techniques for a suggested troubleshooting sequence that uses the self-test procedures. Detailed troubleshooting procedures for locating defective components are provided in the Schematic Package Supplement. These procedures use the ATARI CAT Box to troubleshoot the game PCB.

Troubleshooting Techniques

The following troubleshooting steps are arranged in a sequence recommended for locating a defective component. The procedure begins with a check of the simple trouble possibilities and progresses to more extensive procedures for localizing the trouble to an assembly or major circuit, and then to a defective component.

Check Switch Settings

Incorrect switch settings can sometimes indicate a problem that does not exist. Refer to Chapter 1 Set-Up, to verify that the game has been installed properly and that the switches are set to their correct positions. Check for proper operation in all game-play modes.

Check Fuses

Check for open fuses. Refer to the Power Supply Assembly Parts List in Chapter 5, Illustrated Parts Lists, and to the

Display Manual, for the location and rating of each fuse used in this game. Make sure that replacement fuses are the proper type and rating.

Check Power-Supply Voltages

Improper operation of all circuits usually indicates a power supply problem. Check that the proper line voltage is available to the power supply.

Localize Trouble

Determine the trouble symptom. Use the wiring diagrams in the Schematic Package Supplement to determine which assemblies or major circuits could cause the trouble. Perform the self-test procedure provided in Chapter 2.

Visual Check

Visually check for obvious problems in the portion of the game where a trouble is suspected. For example, check for loose or defective solder connections, integrated circuits loose in their sockets, loose cable connections, broken wires, damaged printed-circuit boards or components.

Check Individual Components

⚠ WARNING ⚠

To avoid electrical shock, turn the game off before removing or replacing components.

CAUTION

Transistors and integrated circuits soldered in place are difficult to remove without damaging the printed circuit board or component. Be extremely careful when removing these components.

Check soldered-in components by disconnecting one end to isolate the measurement from the affects of the surrounding circuitry. Often, direct substitution is the most practical way to determine if a component is faulty. However, eliminate the possibility of some other circuit problem existing which could damage the substitute component.

Repair the Assembly

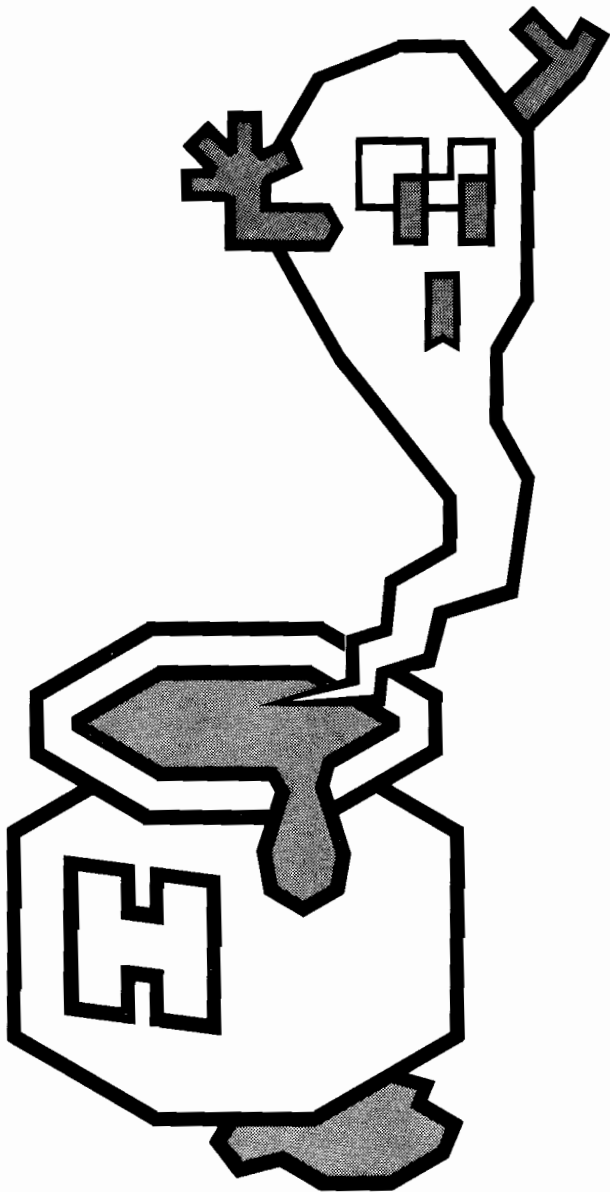
Repair or replace the defective part. Refer to Chapter 4, Maintenance and Repair for special repair and replacement procedures. Check for proper operation of any repaired circuit.

Maintenance

The maintenance procedures provided in this chapter are for those items which are subject to the most severe use. To assure the maximum trouble-free operation from this game, Atari recommends that periodic routine maintenance be performed on the game components described in the following procedures. How often routine maintenance is performed depends upon the game environment and frequency of play.

▲ WARNING ▲

To avoid possible electrical shock hazard, unplug the game prior to performing any maintenance.



Cleaning Requirements

The game cabinet and display shield may be cleaned with any non-abrasive household cleaner. The coin mechanism should be cleaned periodically with hot or boiling water and a mild detergent. A toothbrush may be used to remove any stubborn build-up of residue in the coin path. After cleaning the coin mechanism, flush thoroughly with hot or boiling water and blow out all the water with compressed air. Compressed air is also recommended for cleaning dust from the interior of the cabinet.

Opening the Control Panel

1. Unlock and open the coin door. Reach up through the opening to the top of the control panel and release the two spring-draw latches.
2. Close the coin door.
3. Lift the control panel at the top edge and tilt it toward you. The control panel has foam tape on it. Make sure the tape is in good condition.

Pushbutton Leaf Switches

1. With the control panel open, adjust the leaf switch contacts for a narrow gap. When a pushbutton is depressed, the resulting wiping action of the cross-bar contacts provides a self-cleaning feature. *Don't burnish the contacts.* To clean them, use electrical contact cleaner.
2. To replace a leaf switch, remove the screw with a Phillips-head screwdriver.
3. To replace the switch pushbutton, turn the stamped nut with a wrench in a counterclockwise direction, as seen from the inside of the control panel. The ring on the outside of the control panel should not spin.
4. Reinstall the pushbutton switch. Reconnect the harness wires to the switch terminals.

Lighted Midi Trak-Ball Assembly

Routine maintenance of the Midi Trak-Ball assembly consists primarily of inspecting the roller shafts for excessive wear and periodically lubricating the bearings.

Removing the Midi Trak-Ball

1. Open the control panel as previously described and disconnect the wires from the Midi Trak-Ball lamp socket. Disconnect the harness at the six-pin connector.
2. Remove the four nuts and carriage bolts that secure the Midi Trak-Ball assembly to the control panel (see Figure 4-1).

Disassembling the Midi Trak-Ball

To disassemble the Midi Trak-Ball after it has been removed from the control panel, remove the six screws that secure the upper and lower frames (see Figure 4-1). Lift off the upper frame. The Midi Trak-Ball can now be disassembled.

Inspecting the Midi Trak-Ball

1. With the Midi Trak-Ball disassembled, inspect the roller shafts and the idler shaft for excessive wear (see Figure 4-2). If the wear band exceeds $\frac{3}{8}$ inch, replace the roller shaft as described in steps 2-6 or replace the idler shaft as described in steps 7-10.
2. To replace a roller shaft, first remove the roller shaft from the lower frame.
3. Remove the metal encoding wheel by loosening the socket-head screw, flat washer, and split-lock washer. Remove the encoding wheel and bearings.
4. Remount the bearings and encoding wheel on a new roller shaft.
5. Tighten the encoding wheel by inserting a $\frac{1}{8}$ -inch diameter pin or screwdriver through the hole in the shaft. Tighten the socket-head screw with an Allen wrench.
6. Reinstall the roller shaft in the lower frame.
7. To replace the idler shaft, first remove the idler shaft from the lower frame.
8. Remove the bearings from the ends of the idler shaft.
9. Remount the bearings on a new idler shaft.
10. Reinstall the idler shaft in the lower frame.

Lubricating the Midi Trak-Ball

Lubrication of the Midi Trak-Ball assembly should be performed every three months or 6,000 credits (as counted on the coin counter). To lubricate, place two drops of a light-duty oil, such as 3-In-One oil, on each of the six ball bearings shown in Figure 4-1.

Replacing the Coupler PCB

1. To remove the Coupler PCB, first disassemble the Midi Trak-Ball. Lift the PCB out of its slot. Carefully disconnect the red connector and remove the PCB.
2. To reinstall the Coupler PCB, place the PCB in the slot in the lower frame and reconnect the red connector.

NOTE

When you reinstall the Coupler PCB, make sure that the metal encoding wheel is not bent or damaged. Be sure the encoding wheel turns freely between the two halves of the radial optical coupler.

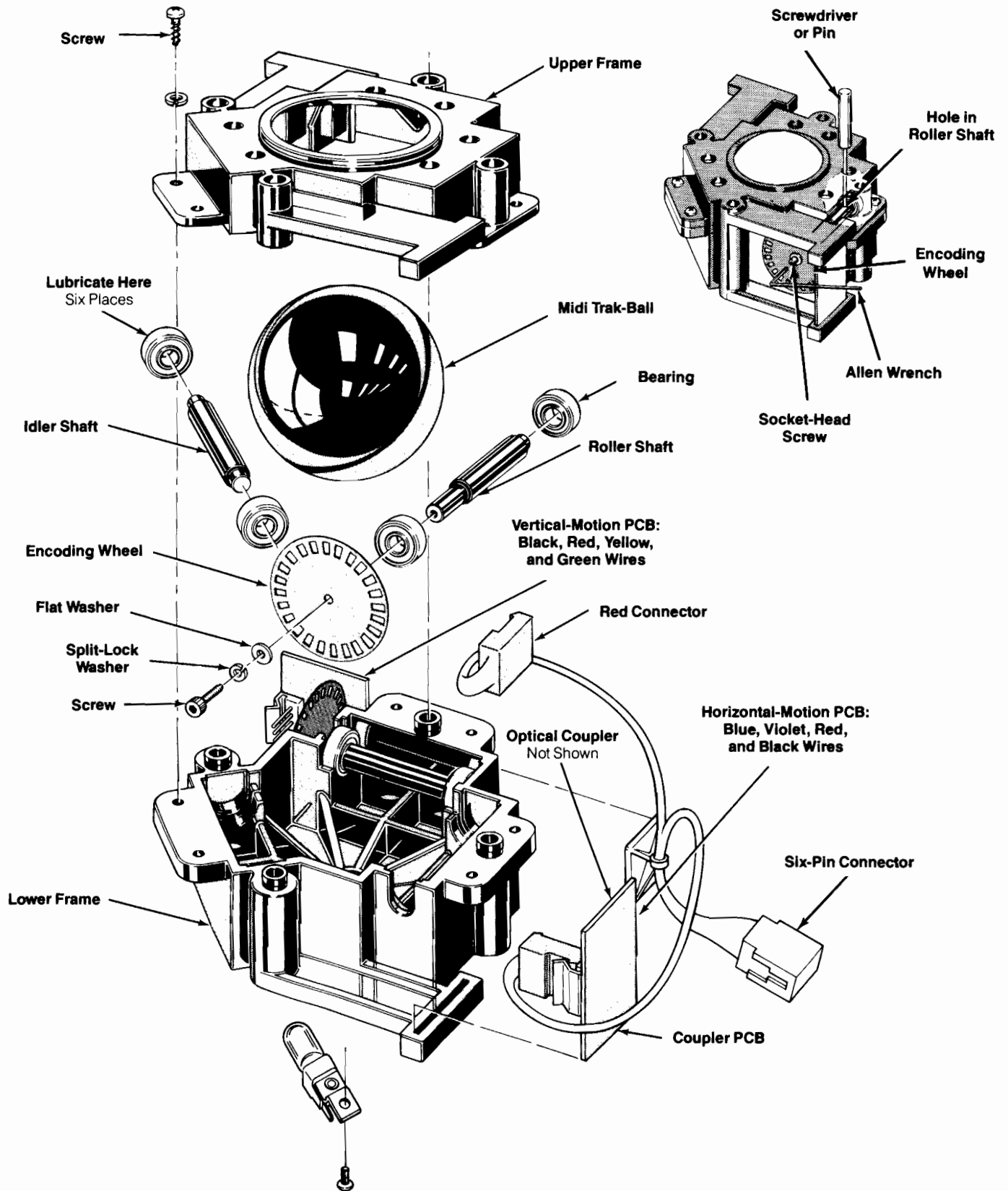


Figure 4-1 Midi Trak-Ball™ Assembly and Lubrication

Reassembling the Midi Trak-Ball

1. Install the upper frame of the Midi Trak-Ball over the assembly. Be sure that each Coupler PCB is engaged in the slots of the upper frame.
2. Replace the six screws that secure the upper and lower frames together.
3. Remount the Midi Trak-Ball assembly to the control panel using the four nuts and carriage bolts.
4. Reconnect the six-pin connector of the harness.
5. Reconnect the wires to the lamp.

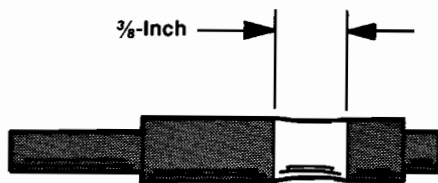


Figure 4-2 Excessive Shaft Wear

Video Display Shield

To remove the video display shield, first open the control panel as previously described. Then, grasp the lower edge of the shield and slide it down into the cut-out area of the cabinet below the display. Tip the upper edge of the shield forward. Lift the shield up and out of the cabinet.

To replace the video display shield, set the bottom edge of the shield into the cut-out area of the cabinet below the display. Tip the shield back into the cabinet. Grasp the lower edge of the shield and slide it up until the upper edge engages the retaining slot. Push the shield against the bezel.

Speaker Grille Assembly

To replace either of the audio speakers in this game, you must first remove the speaker grille assembly from the game cabinet.

Removing the Speaker Grille Assembly

1. Remove the 3 socket-head screws and 6 flat washers that secure the attraction panel assembly to the cabinet (see Figure 4-3). Lift the attraction panel assembly up and out of the cabinet.

2. Disconnect the fluorescent light harness at the 3-pin connector (see Figure 4-3).
3. Remove the 2 Phillips-head screws that secure the attraction/speaker shield (see Figure 4-3). Slide the shield out of the cabinet.
4. Disconnect the speaker wires.
5. Remove the video display panel as previously described.
6. Remove the display bezel from the cabinet by removing the loose cross cleat with attached display bezel.
7. Remove the bolt and washers that secure the speaker grille assembly to the game cabinet.
8. Carefully slide the speaker grille assembly out of the cabinet.

Speaker Replacement

1. With the speaker grille assembly out of the game cabinet, remove the 4 nut/washer assemblies, washers, and carriage bolts securing each speaker to the speaker grille assembly (see Figure 4-4).
2. Mount the new speaker to the speaker grille assembly with the 4 nuts and carriage bolts. Be sure to position the speaker with its connections toward the center of the speaker grille assembly.

Reinstalling the Speaker Grille Assembly

1. Carefully reinstall the speaker grille assembly into the cabinet.
2. Secure the speaker grille assembly to the cabinet with the bolt and washer (see Figure 4-3). Align the front grille surface parallel with the leading edge of the shield retaining panel.
3. Slide the top edge of the video display bezel into the retaining slot. Lift the display bezel and position its bottom cleat into the cabinet cut-outs.
4. Replace the video display shield as previously described.
5. Reconnect the speaker wires as shown in Figure 4-4.
6. Position the attraction/speaker shield with its cut-out toward the front of the cabinet and its textured side facing down. Replace the 2 Phillips-head screws that secure the attraction/speaker panel to the cabinet.
7. Reconnect the 3-pin connector on the fluorescent light harness.
8. Reinstall the attraction panel by pushing down and forward across the top of the panel until the mounting bracket engages with the bracket on the speaker grille.
9. Replace the 3 socket-head screws and 6 flat washers.

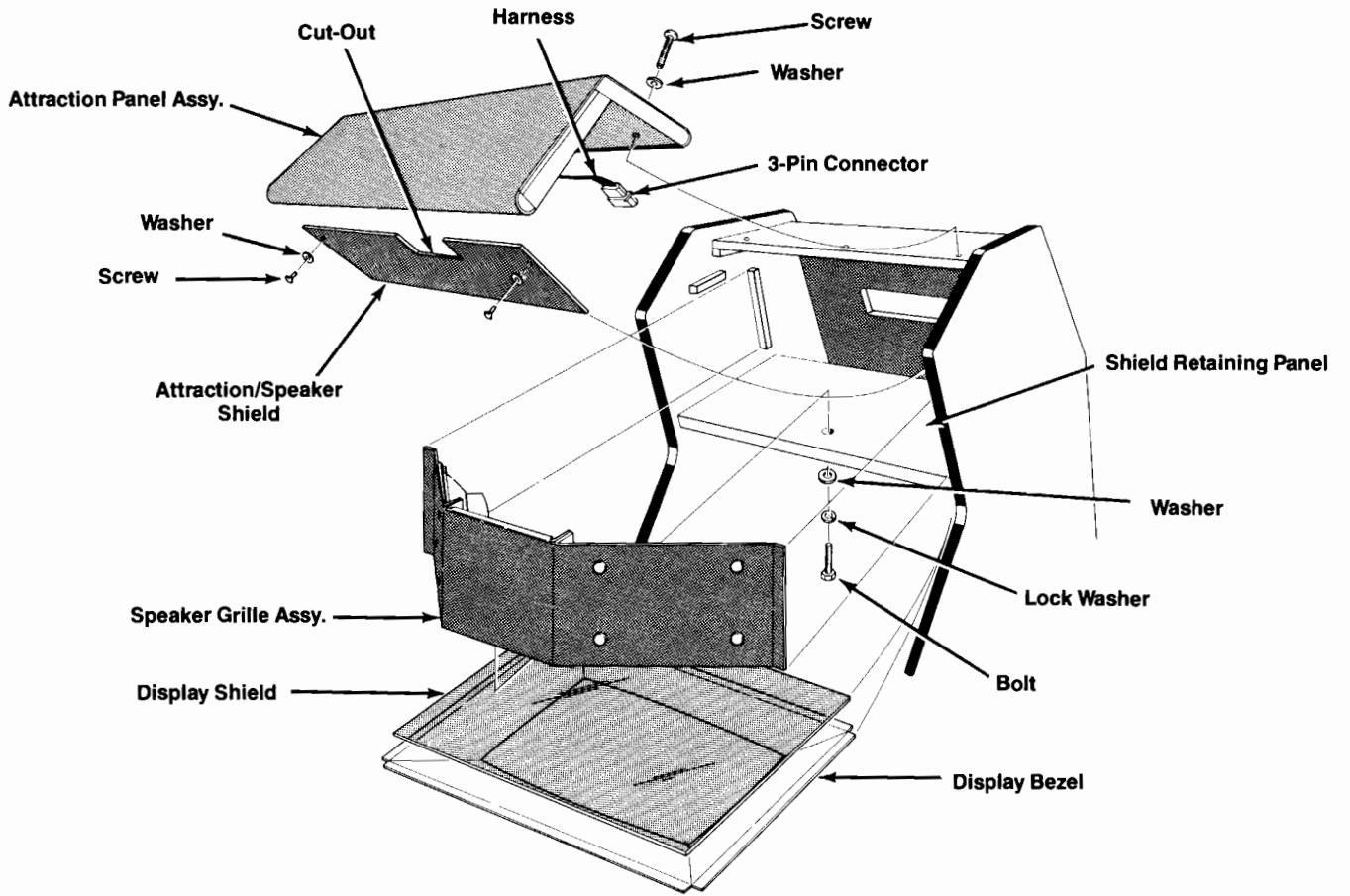


Figure 4-3 Speaker Grille Removal

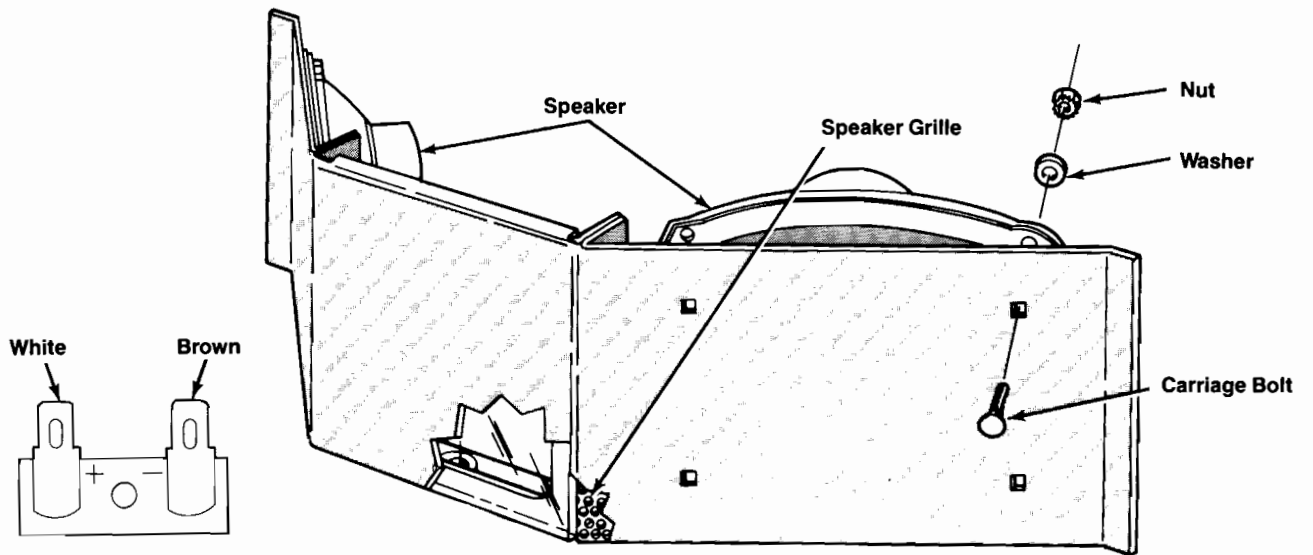


Figure 4-4 Speaker Removal

Removing the ATARI CRT Assembly

WARNING

The cathode-ray tube (CRT) assembly may implode if struck or dropped. Shattered glass can cause personal injury within a 6-foot radius. To reduce the risks of injury to people or of damage to the game components, we recommend that two people perform the following removal procedures.

1. Remove the rear access panel from the cabinet.
2. Discharge the high-voltage from the CRT before proceeding. The video display contains a circuit for discharging the CRT high voltage to ground when power is removed. However, to make certain, always discharge the CRT as follows:
 - a. Attach one end of a large, well-insulated, 18-gauge jumper wire to ground.
 - b. Momentarily touch the free end of the grounded jumper to the anode by sliding it under the anode cap.
 - c. Wait two minutes and repeat part b.
3. Disconnect the following wiring (see Figure 4-5):
 - Disconnect the anode lead from the CRT.
 - Disconnect the degaussing coil connector from the Deflection PCB.
 - Disconnect the yoke connector from the Deflection PCB.
 - Disconnect the DAG spring connector from the Deflection PCB and the Neck PCB.
 - Disconnect the focus connector.
4. Carefully remove the Neck PCB from the CRT neck pins.
5. Remove the video display shield as previously described.
6. Remove the display bezel from the cabinet by sliding its lower edge and attached wood cleat out of the cabinet cut-out.
7. Carefully remove the 4 nut/washer assemblies that secure the CRT to the cabinet (see Figure 4-5).
8. Carefully lift the CRT from the front of the cabinet and remove the CRT.
9. Replace the CRT assembly in the reverse order of this procedure.

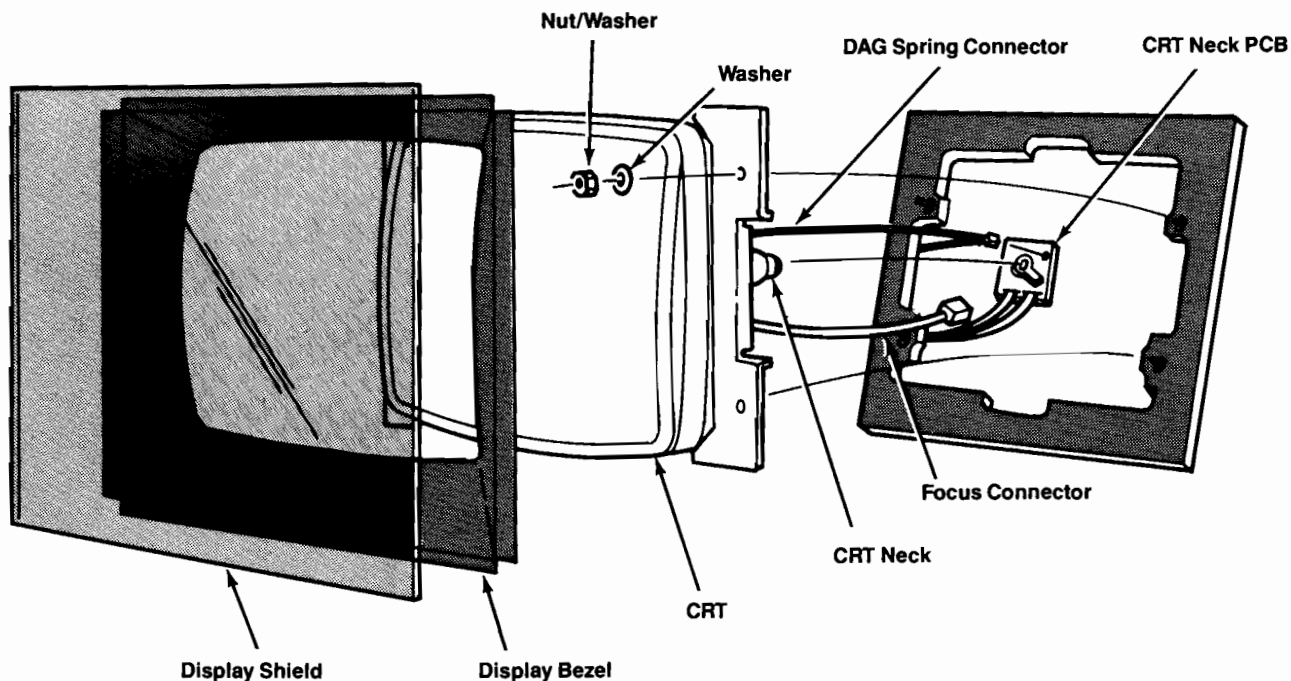


Figure 4-5 CRT Removal

Illustrated Parts Lists

This chapter provides information you need to order parts for your game. Common hardware (screws, nuts, washers, etc.) has been deleted from most of the parts lists. However, a parts list is included for the hardware to mount the printed-circuit boards (PCB) to the cabinet.

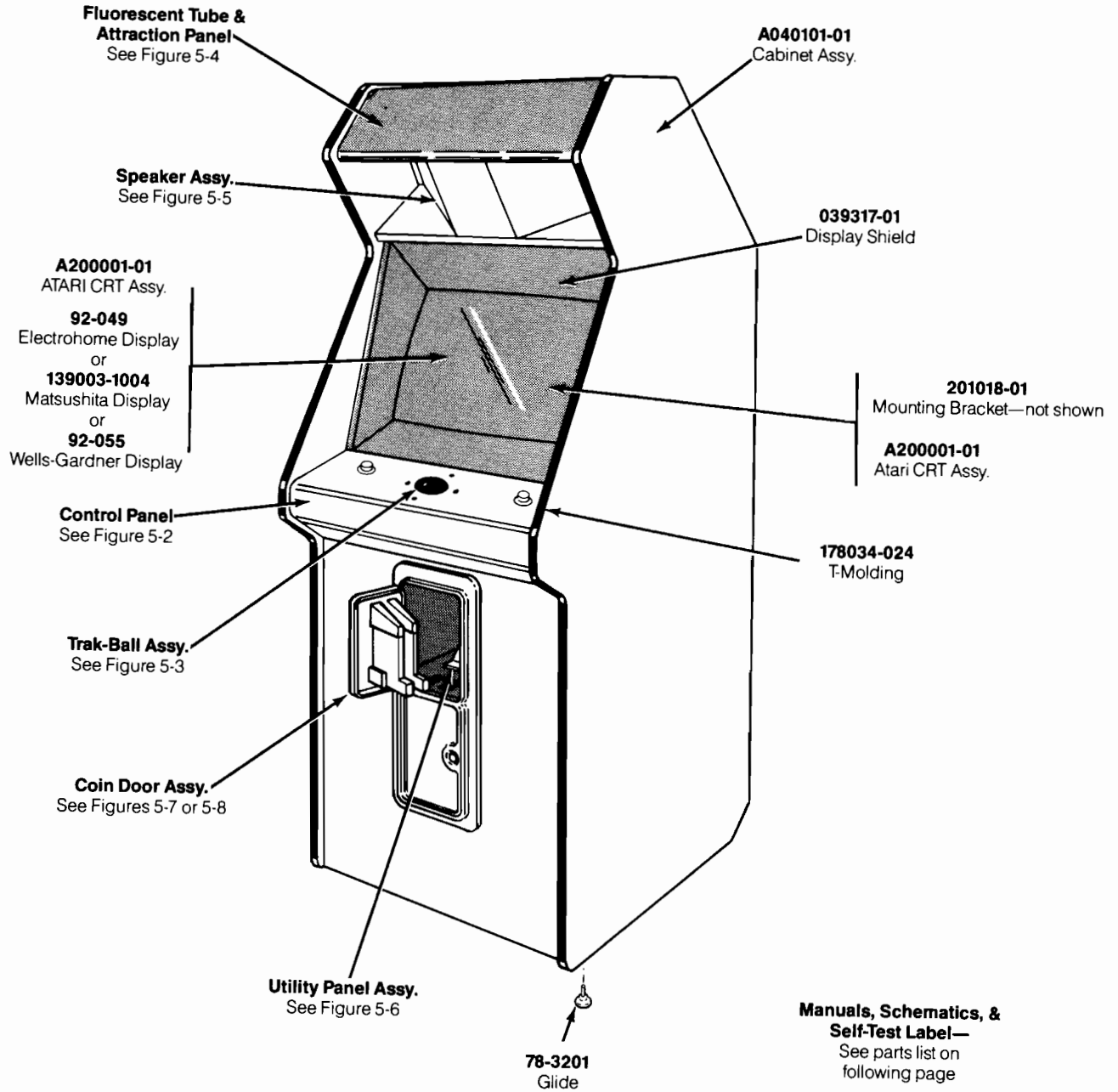
The PCB parts lists are arranged in alphabetical order by component. Each component subsection is arranged alphanumerically by reference designator.

Other parts lists are arranged alphanumerically by Atari part number. In these parts lists, all A-prefix numbers come first. Following these are numbers in sequence evaluated up to the hyphen, namely 00- through 99; then 000598- through approximately 201000.

When ordering parts, please give the part number, part name, number of this manual, and serial number of your game. This will aid in filling your order rapidly and correctly. We hope the results will be less downtime and more profit from your game.

Atari Customer Service numbers are listed on the inside front cover of this manual.





**Figure 5-1A Cabinet-Mounted Assemblies
US-Built Cabinet A040100-01 A**

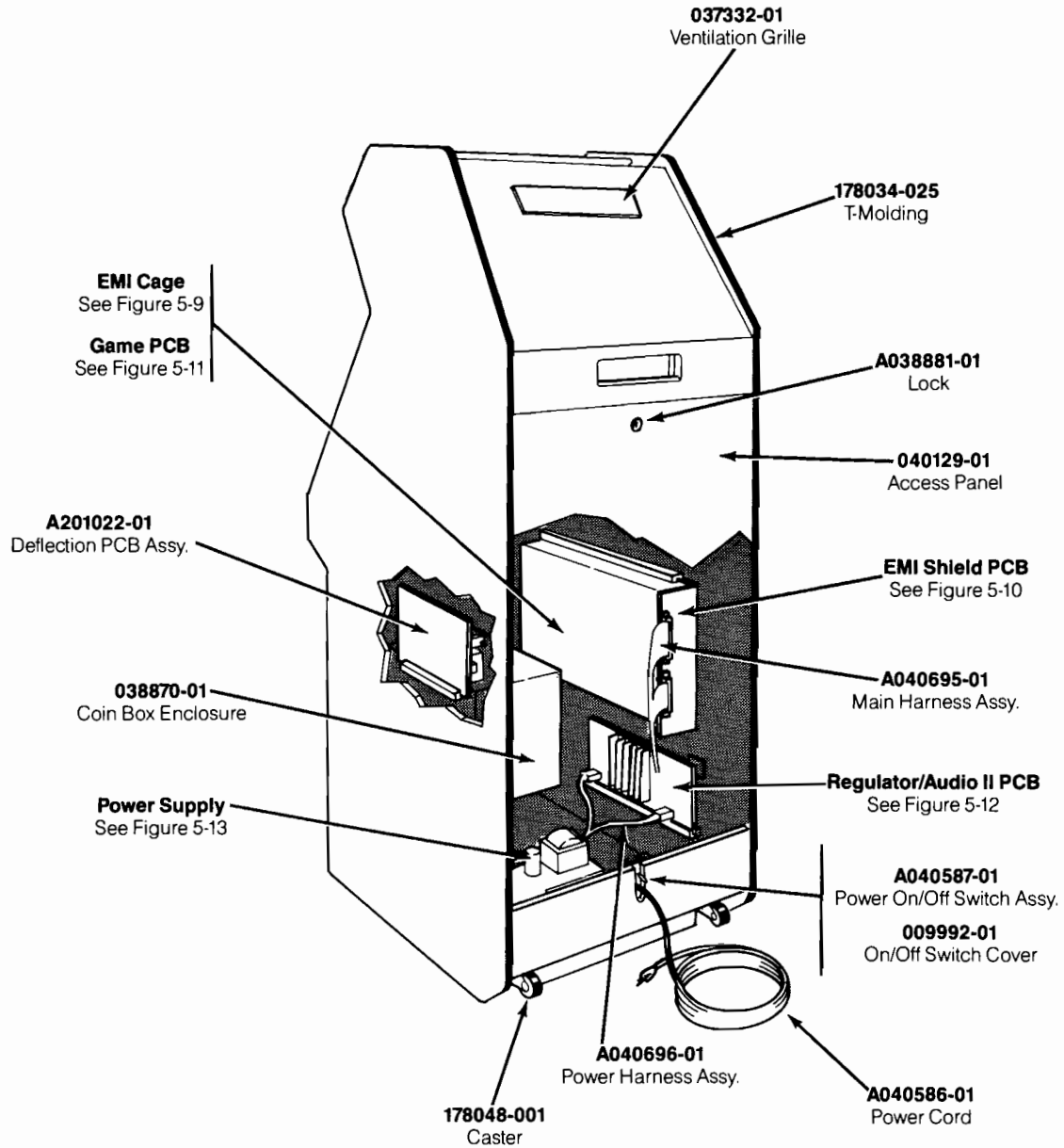
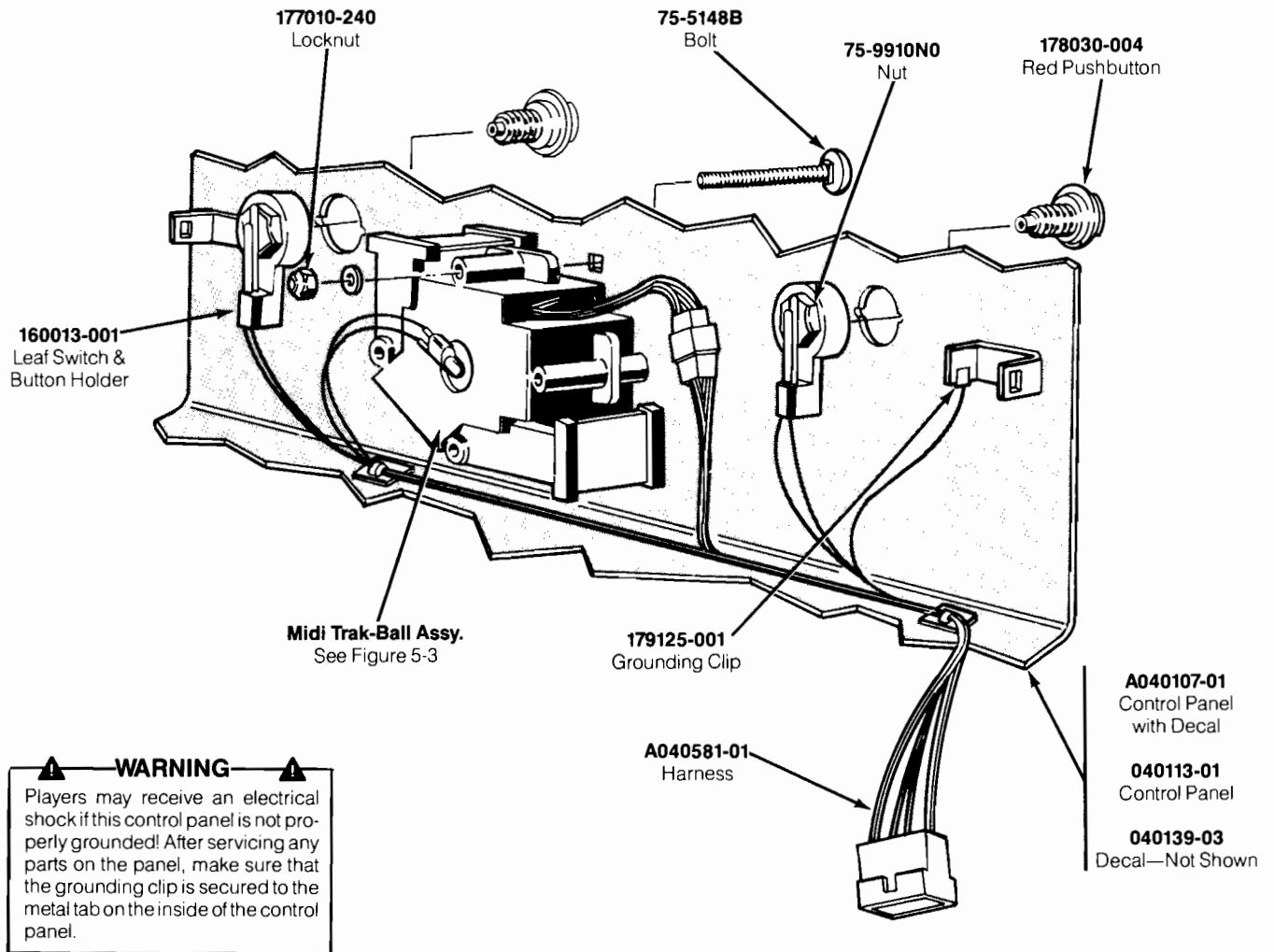


Figure 5-1A Cabinet-Mounted Assemblies, continued
US-Built Cabinet A040100-01 A

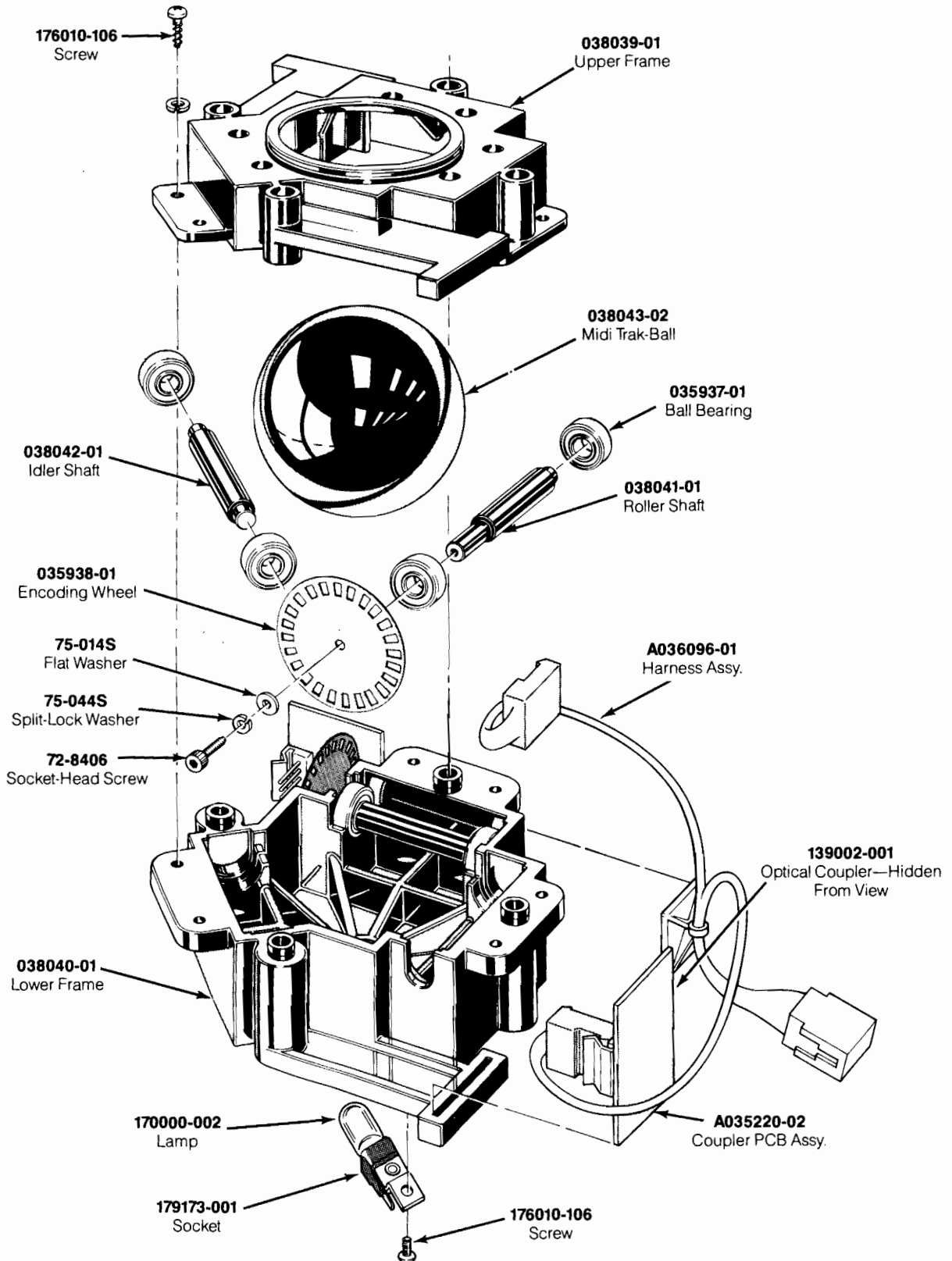
Cabinet-Mounted Assemblies US-Built Cabinet Parts List

| Part No. | Description |
|--|--|
| A200001-01 | 19-Inch ATARI Color Raster-Scan Cathode-Ray Tube (CRT) Assembly—includes: |
| A201020-01 | Neck PCB Assembly |
| A201022-01 | Deflection PCB Assembly |
| A201024-01 | Color Raster Harness Assembly |
| A201092-01 | CRT Assembly |
| A038881-01 | Lock Assembly (for rear access panel) Acceptable substitute is part no. A038881-03 |
| A040101-01 | Cabinet Assembly (includes glides and PCB retainers, but not the rear access panel) |
| A040586-01 | Strain-Relief Power Cord (U.S. and Canada) |
| A040587-01 | Power On/Off Switch and Mounting Plate Assembly |
| A040695-01 | Main Harness Assembly |
| A040696-01 | Power Harness Assembly |
| <i>The following seven items are technical information supplements to this game:</i> | |
| SP-241 | Crystal Castles Schematic Package |
| ST-241-01 | Crystal Castles Label with Self-Test Procedure and Option Switch Settings |
| TM-241 | Crystal Castles Operators Manual with Illustrated Parts List |
| <i>One of the following manuals will apply to the video display in your game:</i> | |
| TM-199 | Service Manual for 19-Inch Atari Color-Raster Display (use with part no. A039650-01) or |
| TM-160 | Service Manual for 19-Inch Electrohome Color-Raster Display (use with part no. 92-049) or |
| TM-201 | Service Manual for 19-Inch Wells-Gardner Color-Raster Display (use with part no. 92-055) or |
| TM-220 | Service Manual for 19-Inch Matshushita Color-Raster Display (use with part no. 139003-1004) |
| 78-3201 | Adjustable Glide |
| 009992-01 | Power On/Off Switch Cover |
| 037332-01 | Ventilation Grille |
| 038091-01 | Molded Coin Box |
| 038870-01 | Coin Box Enclosure |
| 039317-01 | Video Display Shield |
| 040129-01 | Rear Access Panel (does not include lock) |
| 178013-001 | Spring Draw Latch |
| 178034-024 | 3/4-Inch Black Plastic T-Molding |
| 178034-026 | 1/2-Inch Black Plastic T-Molding |
| 178048-001 | 2-Inch Rigid Caster |
| 201018-01 | Mounting Bracket (for ATARI display only, not shown) |



**Figure 5-2 Control Panel Assembly
A040106-01 A
Parts List**

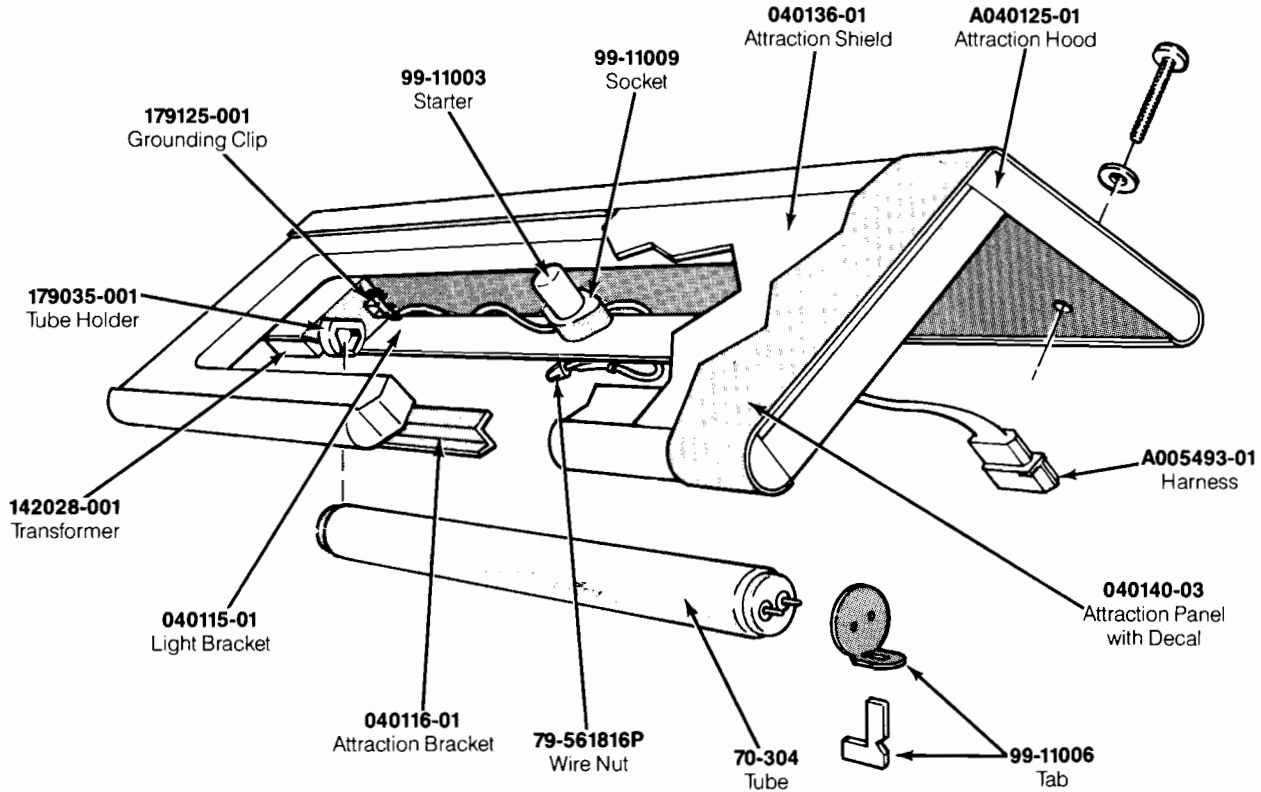
| Part No. | Description |
|------------|--|
| A38038-01 | Lighted Midi Trak-Ball™ Assembly |
| A040107-01 | Control Panel with Decal |
| A040581-01 | Control Panel Harness Assembly |
| 75-5148B | #10-24 Black Carriage Bolt |
| 75-9910N0 | 5/8-Inch x 11 Stamped Nut |
| 78-6900402 | Vinyl Foam Single-Coated Adhesive Tape, 1/4-Inch Wide x 5/8-Inch Thick (24 inches required, not shown) |
| 040113-01 | Control Panel |
| 040139-03 | Control Panel Decal (not shown) |
| 160013-001 | Leaf Switch and Button Holder (leaf switch only is part no. 160012-001) |
| 177010-240 | #10-24 Hex Locknut |
| 178030-004 | Red Pushbutton Assembly |
| 179125-001 | Grounding Clip (Acceptable substitute is part no. 179074-010) |



**Figure 5-3 Lighted Trak-Ball™ Assembly
A038038-02 B**

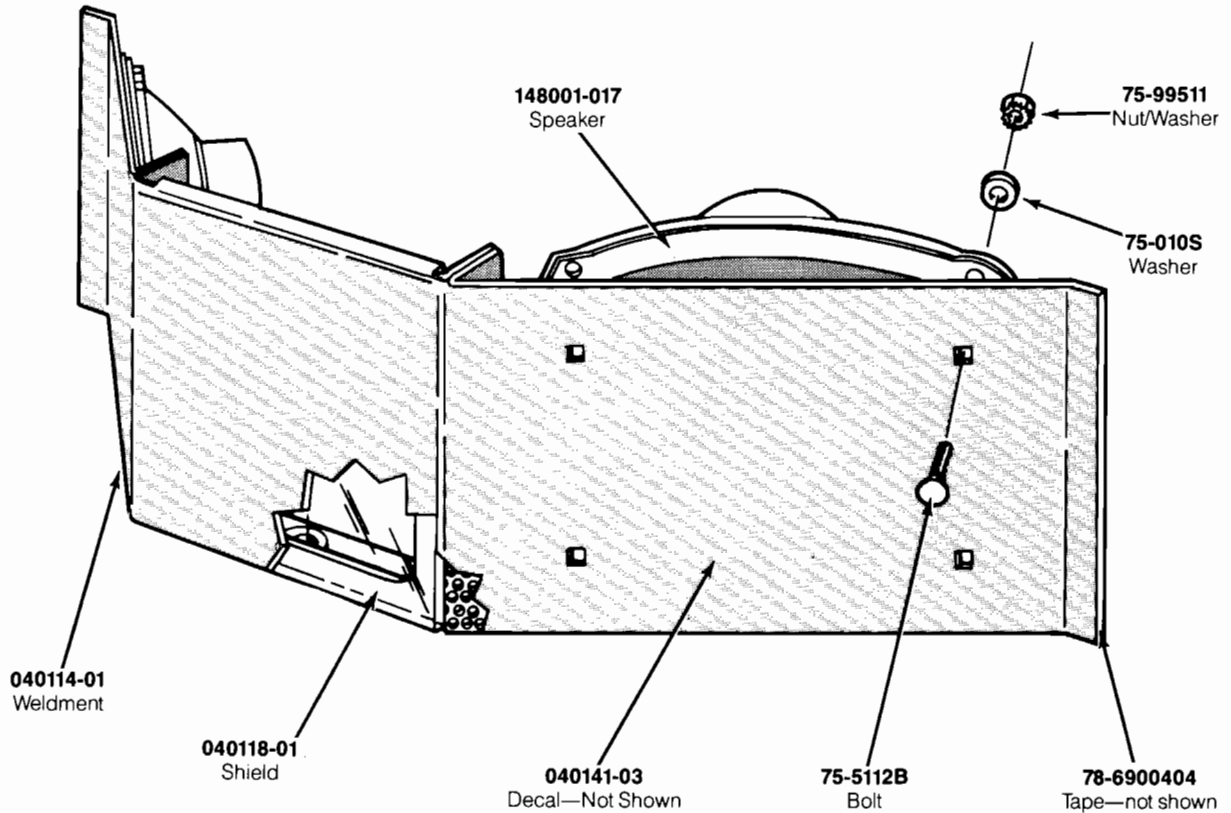
Lighted Trak-Ball™ Assembly Parts List

| Part No. | Description |
|------------|--|
| A036096-01 | Harness Assembly |
| A035220-02 | Coupler PCB Assembly (includes Radial Optical Coupler) |
| 72-8406 | #4-40 x $\frac{3}{8}$ -Inch, Hex Socket-Head Steel Machine Screw |
| 75-014S | #4 Flat SAE-Standard, Zinc-Plated Steel Washer |
| 75-044S | #4 Split-Lock, Zinc-Plated Steel Washer |
| 035937-01 | Ball Bearing (6 per assembly) |
| 035938-01 | Etched Encoding Wheel |
| 038039-01 | Upper Black Plastic Frame |
| 038040-01 | Lower Black Plastic Frame |
| 038041-01 | Roller Shaft |
| 038042-01 | Idler Shaft |
| 038043-02 | Midi-Trak-ball (3-inch diameter) |
| 170000-002 | Wedge-Base 6.3 V Lamp |
| 176010-106 | #8 x $\frac{3}{8}$ -Inch Cross-Recessed, Pan-Head, Zinc-Plated Steel Screw |
| 179173-001 | Wedge-Base Lamp Socket |



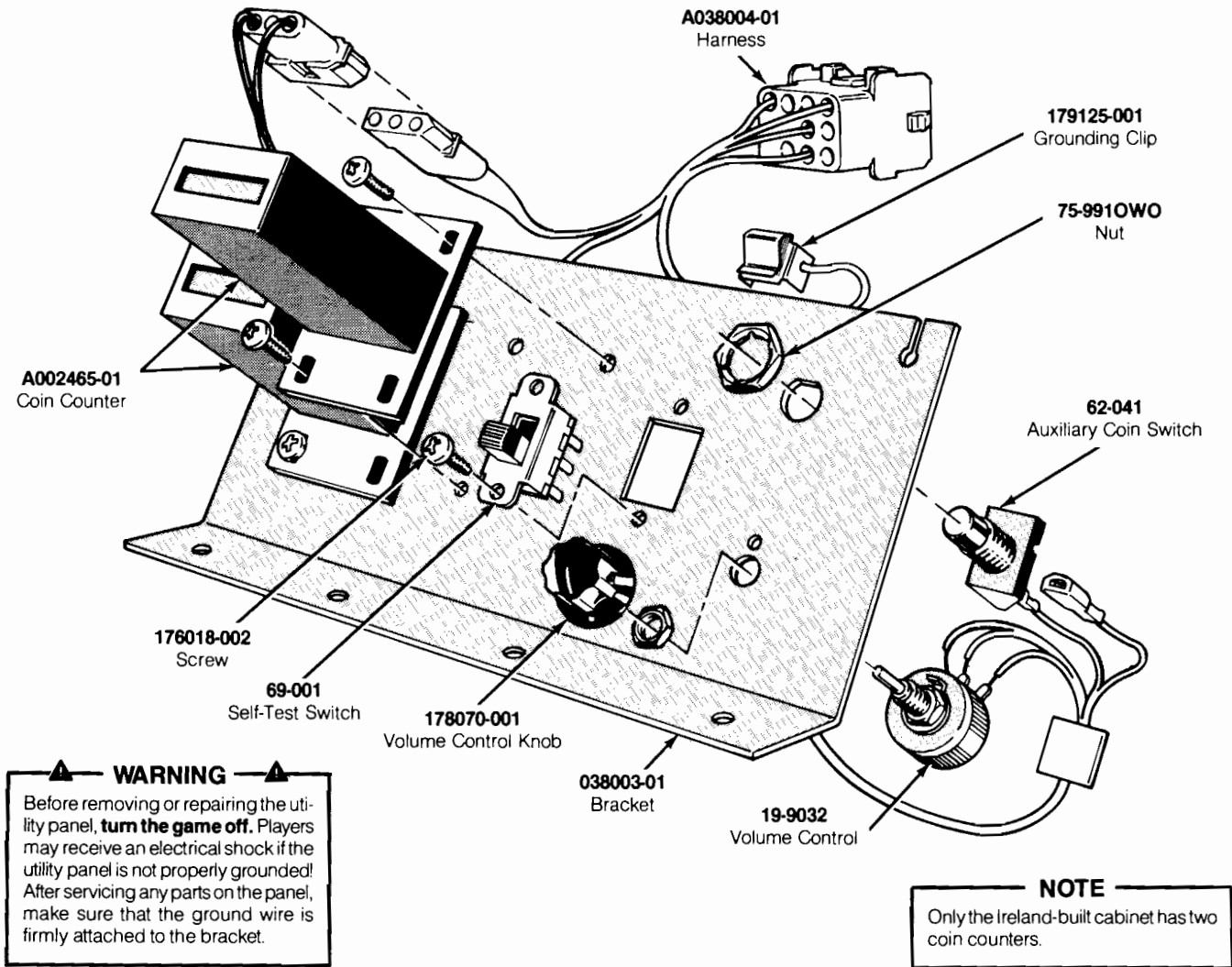
**Figure 5-4 Fluorescent Tube and Attraction Panel Assembly
A040105-01 A
Parts List**

| Part No. | Description |
|------------|--|
| A005493-01 | Fluorescent Light Harness Assembly |
| A037540-01 | Ground Wire with Ring Lug (not shown) |
| A040125-01 | Attraction Hood Assembly |
| 70-304 | 18-Inch, 15-Watt, Cool White Fluorescent Tube |
| 78-6900404 | Vinyl Foam Single-Coated Adhesive Tape, ¼-Inch Wide x ¼-Inch Thick (24 inches required, not shown) |
| 79-561816P | Spring-Connector Wire Nut for 16- to 18-Gauge Wires |
| 99-11006 | Fluorescent Tube Locking Tab (consists of two pieces) |
| 99-11003 | Fluorescent Tube Starter |
| 99-11009 | Starter Socket |
| 040115-01 | Fluorescent Light Mounting Bracket |
| 040116-01 | Attraction Panel Mounting Bracket |
| 040136-01 | Attraction Panel Shield |
| 040140-03 | Attraction Panel with Decal |
| 142028-001 | 60 Hz, 118 V, Ballast Transformer |
| 176015-110 | #10 x ⅝-Inch, Cross-Recessed Pan-Head Screw |
| 179035-001 | 2-Pin Fluorescent Tube Holder |
| 179125-001 | Grounding Clip (Acceptable substitute is part no. 179074-010) |



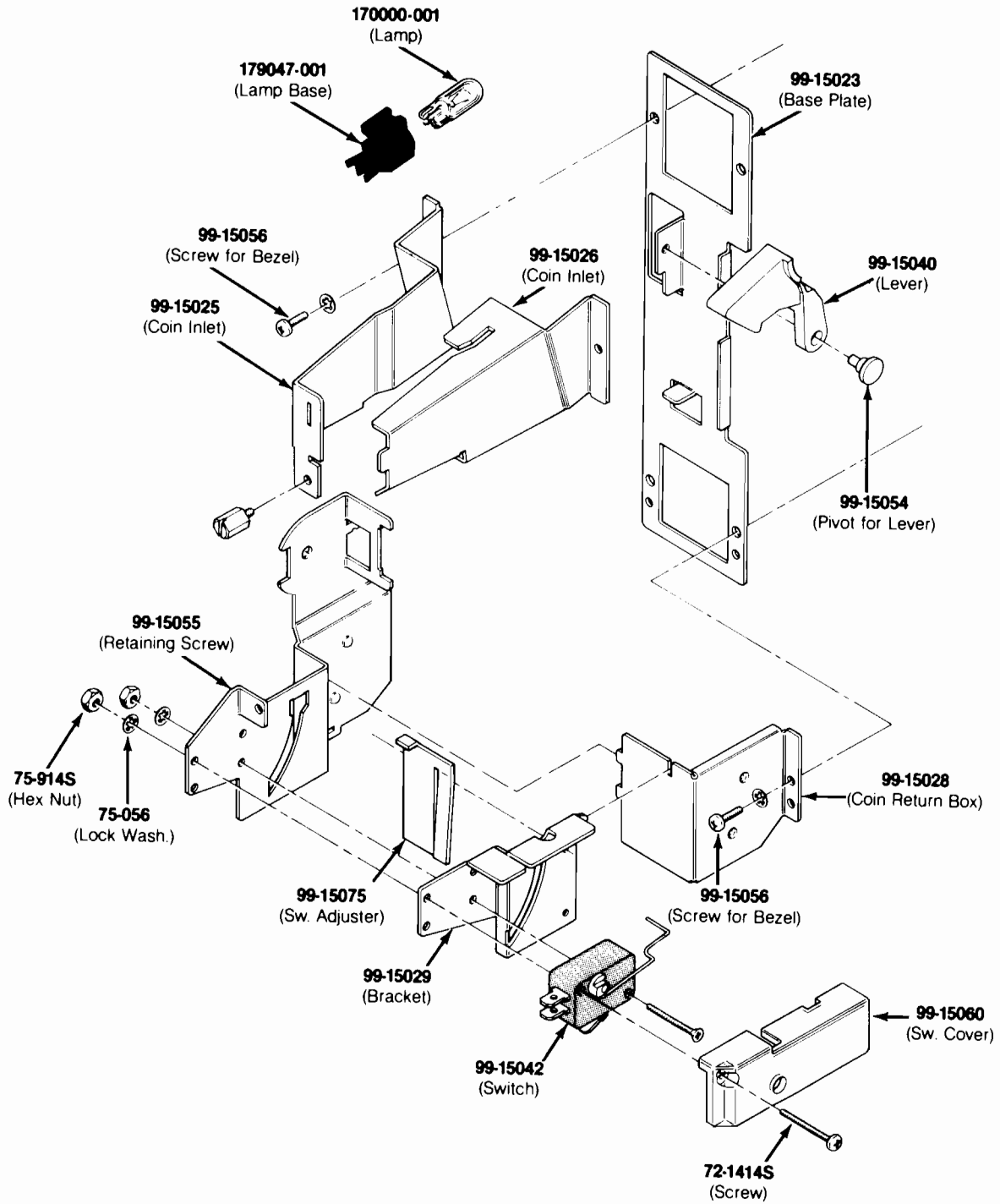
**Figure 5-5 Speaker Assembly
A040108-01 A
Parts List**

| Part No. | Description |
|-----------------|--|
| 040114-01 | Speaker Grille Weldment |
| 040118-01 | Glass Shield for Decal |
| 040141-03 | Decal (not shown) |
| 75-010S | #10 Flat Washer |
| 75-5112B | #10-24 x 0.75-Inch Black Carriage Bolt |
| 75-99511 | #10-24 Nut/Washer |
| 78-6900404 | Vinyl Foam Single-Coated Adhesive Tape, ¼-Inch Wide x ¼-Inch Thick (13 inches required, not shown) |
| 148001-017 | 6 x 9-Inch Oval, 8 Ω, 6-Ounce, Shielded High-Fidelity Speaker |

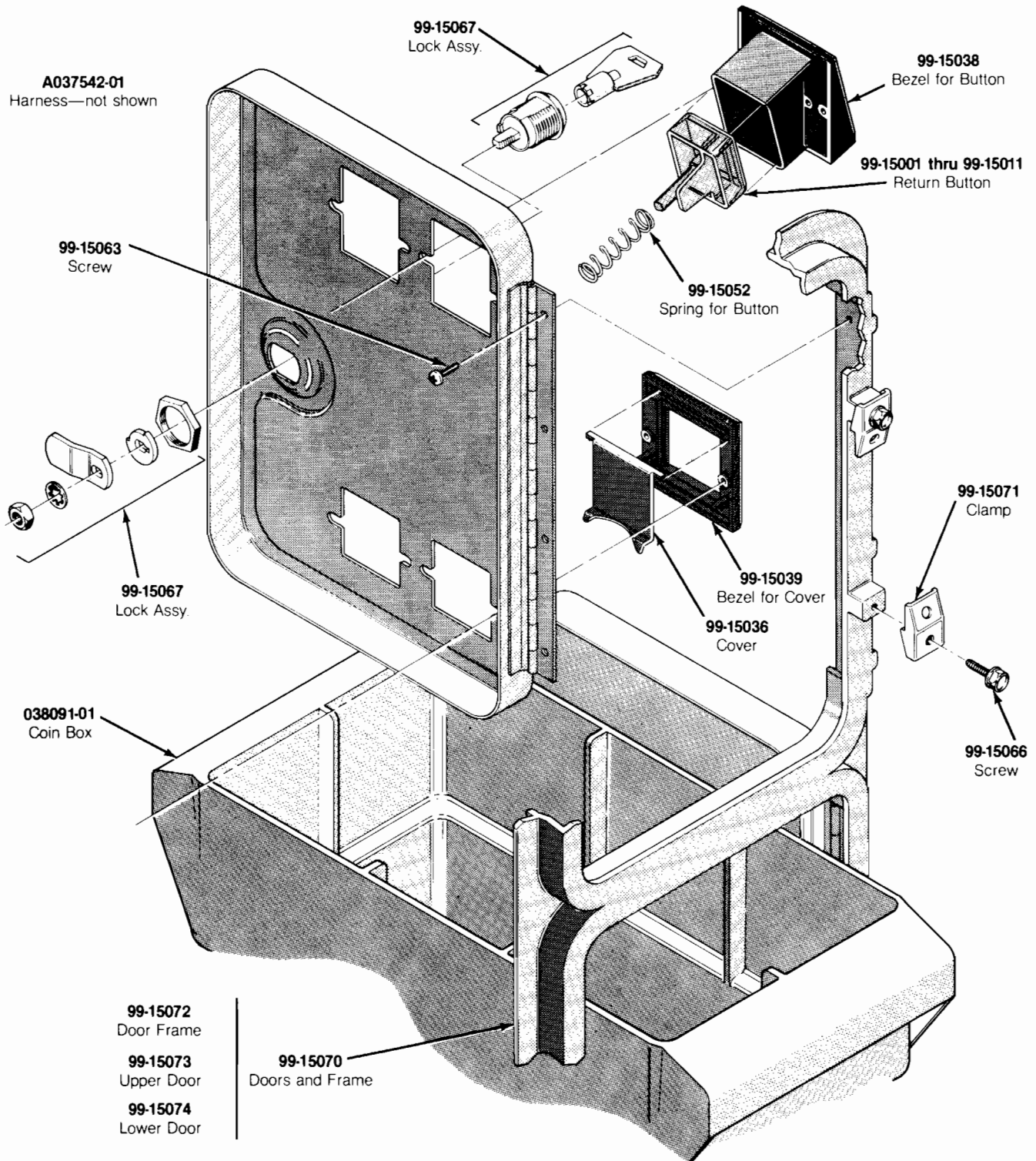


**Figure 5-6 Utility Panel Assembly
A038002-01 H
Parts List**

| Part No. | Description |
|------------|--|
| A002465-01 | 6 V Coin Counter |
| A037779-03 | Weldment Enclosure Assembly (not shown) |
| A038004-01 | Utility Panel Harness |
| 19-9032 | Volume Control |
| 62-041 | SPDT Momentary-Contact Pushbutton Auxiliary Coin Switch with Black Cap |
| 69-001 | DPDT Self-Test Switch |
| 75-915S | #6-32 Hexagon Machine Nut |
| 75-9910W0 | 1/2-Inch Stamped Nut |
| 038003-01 | Utility Panel |
| 038781-01 | Weldment (not shown) |
| 176018-002 | #6-32 x 1/2-Inch Thread-Forming Pan-Head Screw |
| 178070-001 | Volume Control Knob |
| 179125-001 | Grounding Clip |



**Figure 5-7 Vertically Mounted Coin Door
171034-xxx A**



171034-001 — U.S. 25¢/25¢ Coin Door
 171034-003 — Canadian 25¢/25¢ Coin Door
 171034-005 — U.K. 10 P/50 P Coin Door

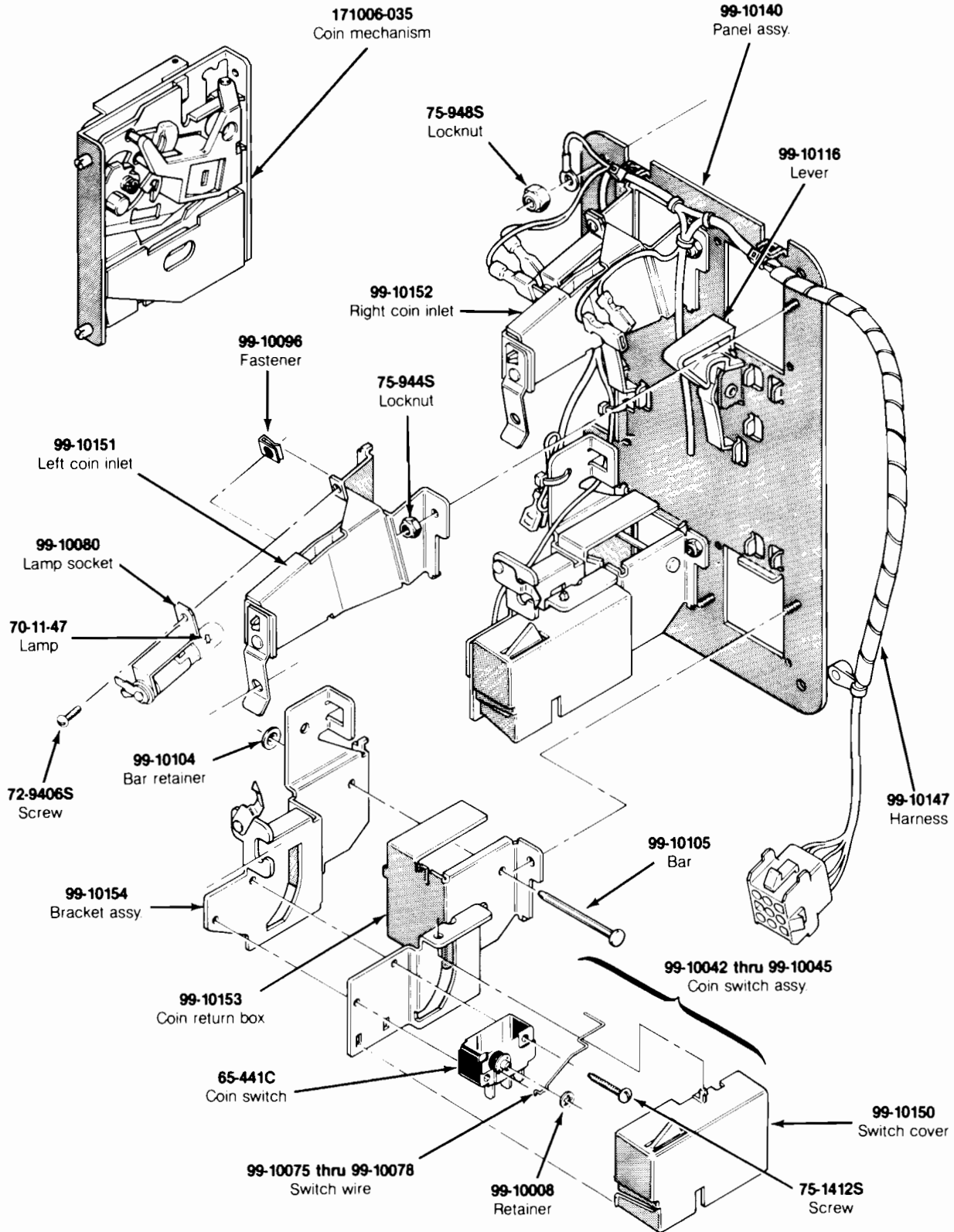
171034-006 — U.K. 20 P/50 P Coin Door
 171034-009 — German 2 DM/1 DM Coin Door
 171034-010 — German 2 DM/5 DM Coin Door

171034-011 — German 1 DM/5 DM Coin Door
 171034-015 — French 2 Fr/1 Fr Coin Door

Figure 5-7 Vertically Mounted Coin Door, continued
171034-xxx A

Vertically Mounted Coin Door Parts List

| <i>Part No.</i> | <i>Description</i> |
|-----------------|---|
| A037542-01 | Harness Assembly |
| 72-1412S | #4-40 × 7/8-Inch Cross-Recessed Pan-Head Steel Machine Screw |
| 75-056 | #6 Internal-Tooth Zinc-Plated Steel Lock Washer |
| 75-914S | #4-40 Steel Machine Hex Nut |
| 75-3414S | #4-40 × 7/8-Inch 82° Cross-Recessed Flat-Head Steel Machine Screw |
| 99-15001 | Coin Return Button with U.S. 25¢ Price Plate |
| 99-15002 | Coin Return Button with U.S. \$1 Price Plate |
| 99-15003 | Coin Return Button with German 1 DM Price Plate |
| 99-15004 | Coin Return Button with German 2 DM Price Plate |
| 99-15005 | Coin Return Button with German 5 DM Price Plate |
| 99-15006 | Coin Return Button with Belgian 5 Fr Price Plate |
| 99-15007 | Coin Return Button with French 1 Fr Price Plate |
| 99-15008 | Coin Return Button with Japanese 100 Yen Price Plate |
| 99-15009 | Coin Return Button with British 10 Pence Price Plate |
| 99-15010 | Coin Return Button with Australian 20¢ Price Plate |
| 99-15011 | Coin Return Button with Italian 100 Lire Price Plate |
| 99-15023 | Base Plate |
| 99-15025 | Left Half of Coin Inlet |
| 99-15026 | Right Half of Coin Inlet |
| 99-15027 | Side Plate of Coin Return Box |
| 99-15028 | Base Plate of Coin Return Box |
| 99-15029 | Switch Bracket |
| 99-15036 | Metal Coin Return Cover |
| 99-15038 | Bezel for Coin Return Button |
| 99-15039 | Metal Bezel for Coin Return Cover |
| 99-15040 | Coin Return Lever |
| 99-15042 | Coin Switch for U.S. 25¢ |
| 99-15052 | Spring for Coin Return Button |
| 99-15054 | Pivot for Coin Return Lever |
| 99-15055 | Retaining Screw |
| 99-15056 | #4-40 × 5/16-Inch Cross-Recessed Pan-Head Steel Machine Screw |
| 99-15060 | Switch Cover |
| 99-15063 | Screw for Hinge |
| 99-15066 | Screw for Clamp |
| 99-15067 | Lock Assembly |
| 99-15070 | Doors and Frame |
| 99-15071 | Clamp for Frame |
| 99-15072 | Door Frame |
| 99-15073 | Upper Door |
| 99-15074 | Lower Door |
| 99-15075 | Switch Adjuster |
| 038091-01 | Coin Box (Not included in assembly—Acceptable substitute is part number A037491-01) |
| 170000-001 | 6.3 V Miniature Wedge-Base Incandescent Lamp |
| 171006-035 | Metal Coin Mechanism |
| 179047-001 | Lamp Base |



**Figure 5-8 American-Made Coin-Door Assembly
171027-001 A**

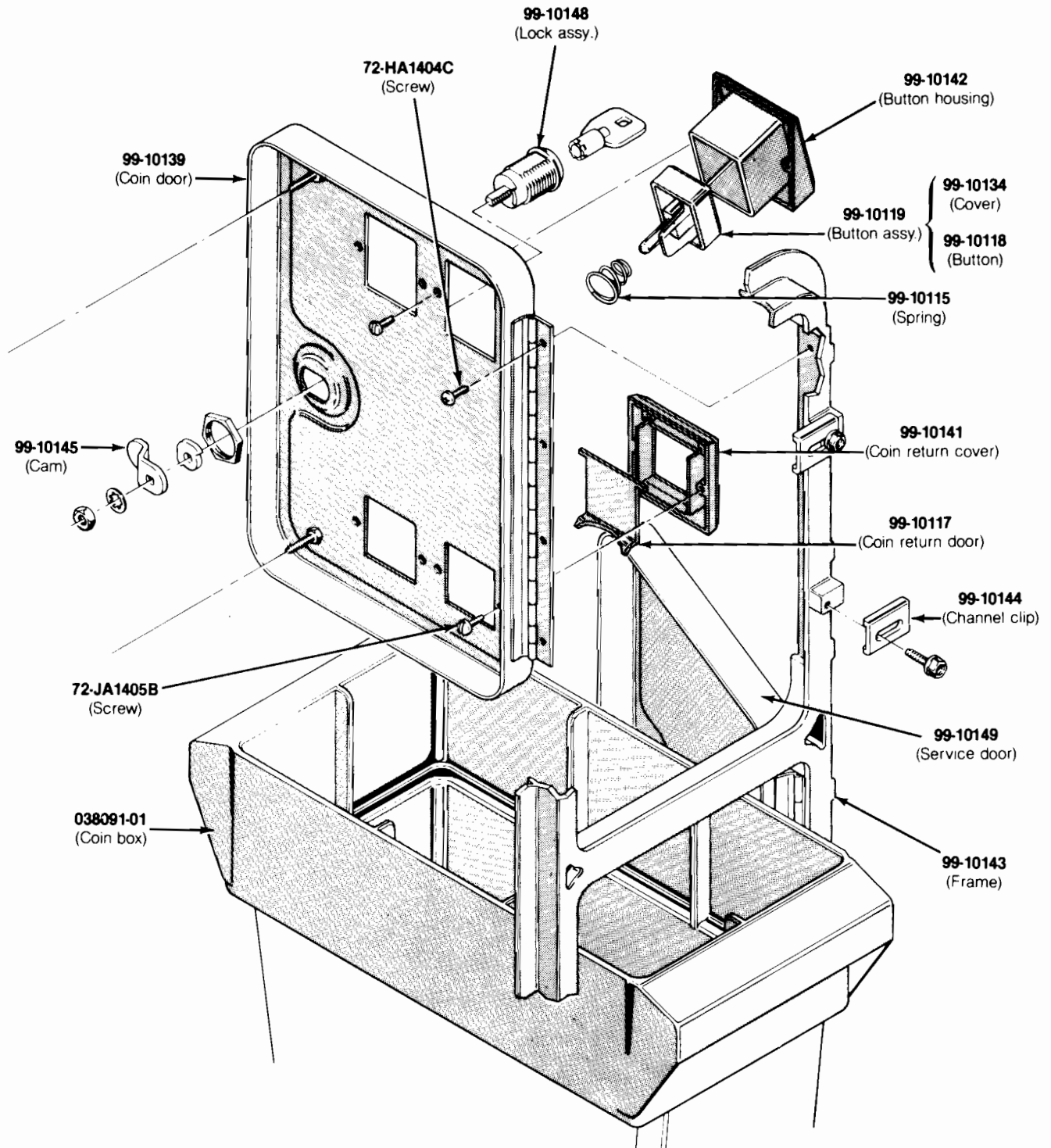


Figure 5-8 American-Made Coin-Door Assembly, continued
171027-001 A

American-Made Coin-Door Assembly Parts List

| Part No. | Description |
|------------|--|
| 171006-035 | Metal Coin Mechanism for U.S. \$.25 |
| 65-441C | Coin Switch |
| 70-11-47 | Miniature Bayonet Lamp |
| 72-9406S | #4-40 x $\frac{3}{8}$ -Inch Truss-Head Screw |
| 72-HA1404C | #4-40 x $\frac{1}{4}$ -Inch Pan-Head Screw |
| 72-JA1405B | #4-40 x .31-Inch Pan-Head Screw |
| 75-1412S | #4-40 x $\frac{3}{4}$ -Inch Pan-Head Screw |
| 75-944S | #4-40 Lock Nut |
| 99-10008 | Retainer |
| 99-10042 | Coin Switch Assembly for Belgium 5 Fr and U.S. \$.25 |
| 99-10043 | Coin Switch Assembly for German 1 DM, Japanese 100 Yen, Swiss 1 Fr |
| 99-10044 | Coin Switch Assembly for German 2 DM, Italian 100 L, U.S. \$1.00 |
| 99-10045 | Coin Switch Assembly for Australian \$.20, German 5 DM, British 10 P |
| 99-10068 | Coin Return Chute |
| 99-10075 | Switch wire (included in coin switch assembly) |
| 99-10076 | Switch wire (included in coin switch assembly) |
| 99-10077 | Switch wire (included in coin switch assembly) |
| 99-10078 | Switch wire (included in coin switch assembly) |
| 99-10080 | Lamp socket |
| 99-10081 | Key holder |
| 99-10096 | Fastener |
| 99-10104 | Bar retainer |
| 99-10105 | Bar |
| 99-10115 | Spring |
| 99-10116 | Plastic Coin Return Lever |
| 99-10117 | Steel Coin Return Door |
| 99-10118 | Amber Coin Return Button |
| 99-10119 | Amber Coin Button for U.S. \$.25 |
| 99-10134 | Coin Button Cover |
| 99-10139 | Coin Door |
| 99-10140 | Coin Door Inner-Panel Assembly |
| 99-10141 | Diecast Coin Return Cover |
| 99-10142 | Diecast Button Housing |
| 99-10143 | Coin Door Frame |
| 99-10144 | Coin Door Channel Clip |
| 99-10145 | Offset Cam |
| 99-10146 | Coin Inlet Chute Assembly |
| 99-10147 | American-Made Coin Door Harness |
| 99-10148 | Lock Assembly |
| 99-10149 | Service Door |
| 99-10150 | Switch Cover |
| 99-10151 | Left Coin Inlet |
| 99-10152 | Right Coin Inlet |
| 99-10153 | Coin Return Box |
| 99-10154 | Bracket Assembly |

NOTE
 The Federal Communications Commission requires that the game PCB be housed in the EMI cage with the EMI Shield PCB attached.

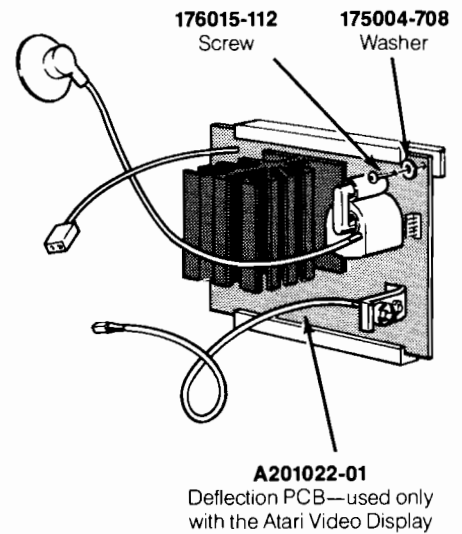
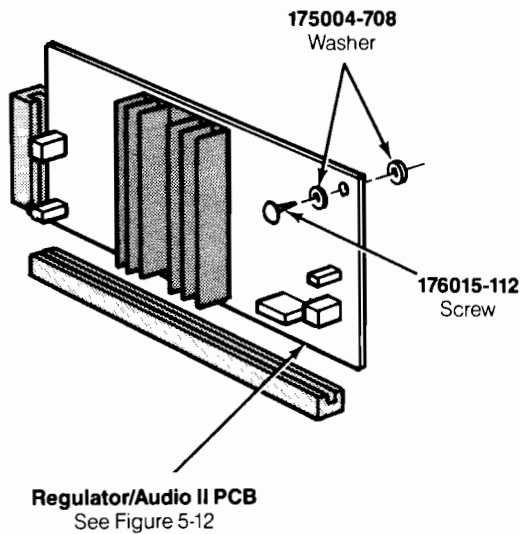
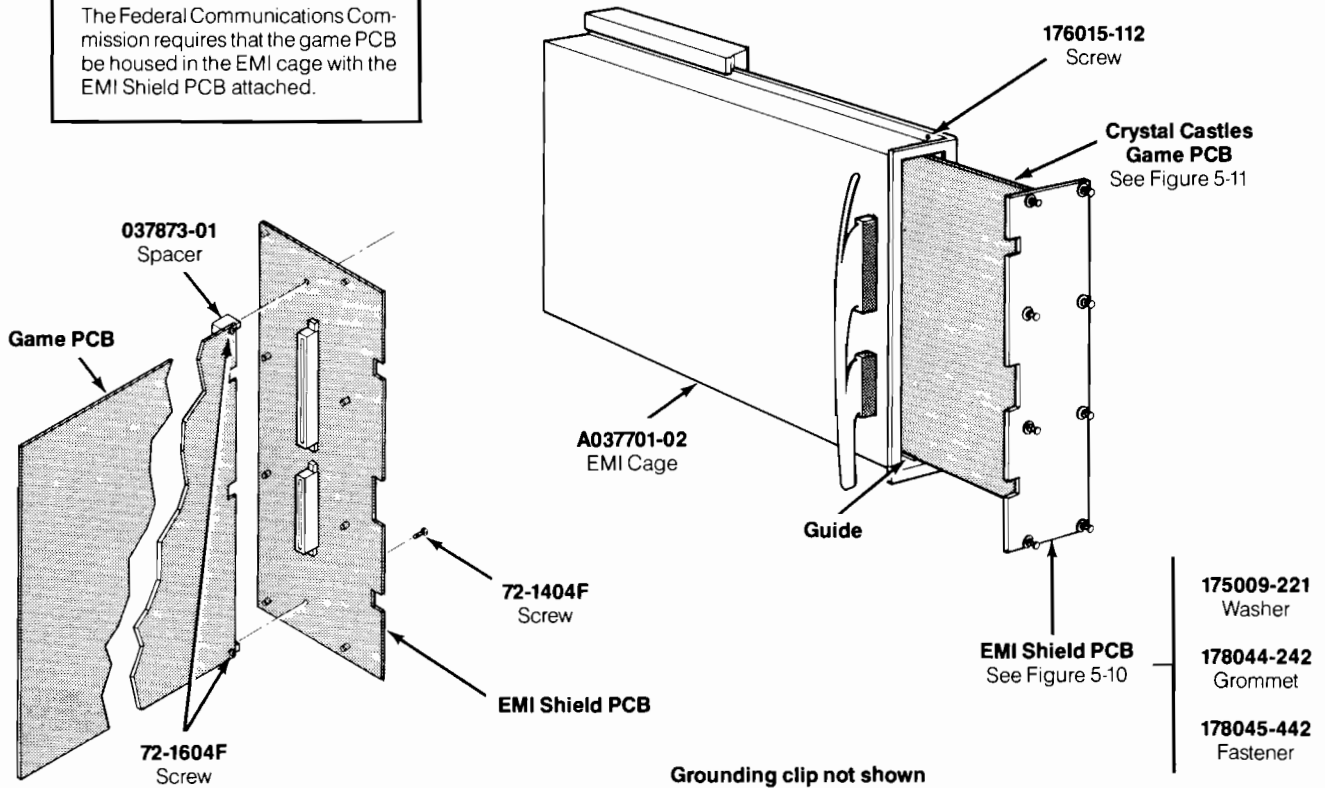


Figure 5-9 Electromagnetic Interference (EMI) Cage Assemblies and PCB Mounting Hardware

EMI Cage Assemblies and PCB Mounting Hardware Parts List

| Part No. | Description |
|------------|---|
| A201022-01 | Deflection PCB—used only with the Atari Video Display |
| A035435-01 | Regulator/Audio II PCB (Acceptable substitute is part no. A035435-02) |
| A037701-02 | EMI Cage (includes guide) |
| A037430-06 | EMI Shield PCB—includes: |
| 72-1404F | #4-40 x ¼-Inch Cross-Recessed Steel Screw |
| 037873-01 | Spacer |
| 175009-221 | Plastic Washer |
| 178044-242 | Grommet |
| 178045-442 | Snap-In Fastener |
| A039574-21 | Crystal Castles Game PCB |
| 72-1604F | #6-32 x ¼-Inch Cross-Recessed Pan-Head Screw |
| 175004-708 | #8 Flat Fiber Washer |
| 176015-112 | #10 x ¾-Inch Cross-Recessed Pan-Head Screw |

NOTICE TO ALL PERSONS RECEIVING THIS DRAWING
CONFIDENTIAL: Reproduction forbidden without the specific written permission of Atari, Inc., Sunnyvale, CA. This drawing is only conditionally issued, and neither receipt nor possession thereof confers or transfers any right in, or license to use, the subject matter of the drawing or any design or technical information shown thereon, nor any right to reproduce this drawing or any part thereof. Except for manufacture by vendors of Atari, Inc., and for manufacture under the corporation's written license, no right is granted to reproduce this drawing or the subject matter thereof, unless by written agreement with or written permission from the corporation.

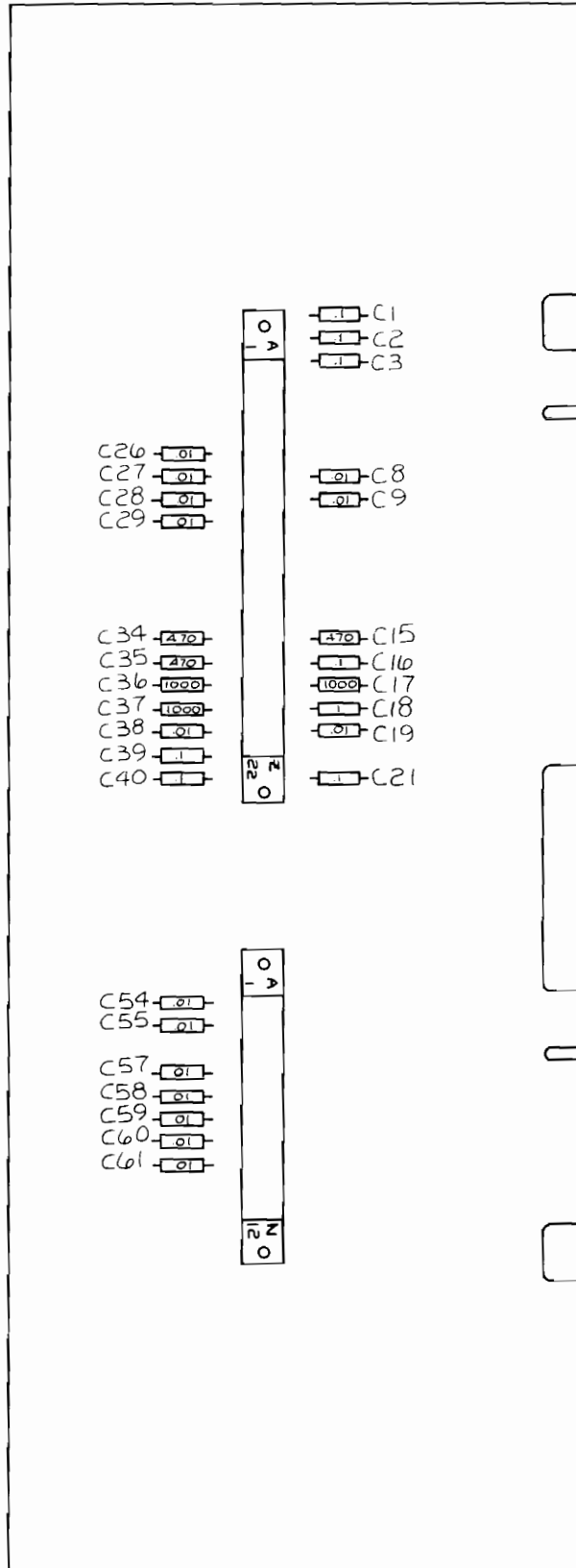
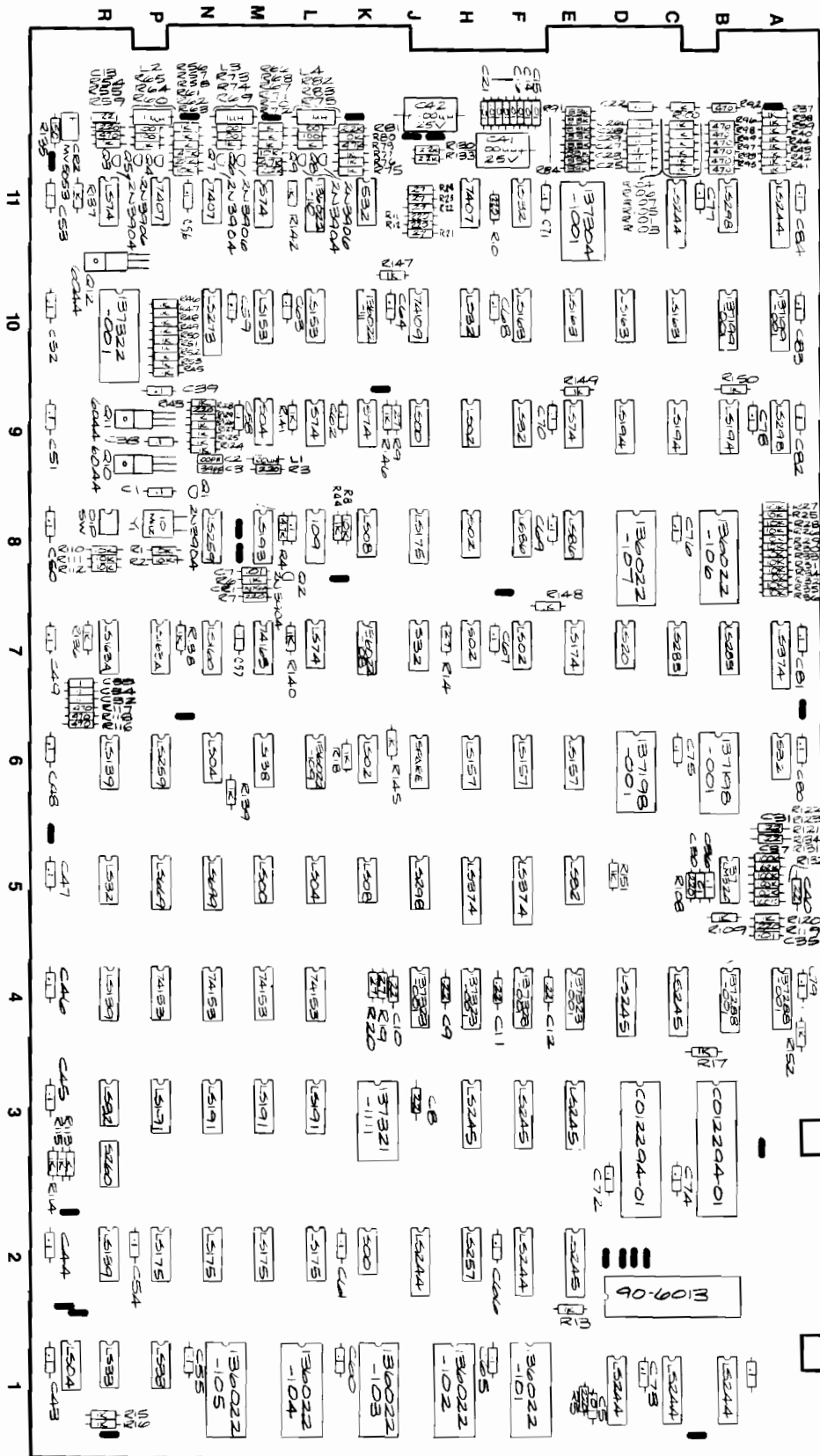


Figure 5-10 EMI Shield PCB Assembly
A037430-06 A

Electromagnetic Interference Shield PCB Parts List

| Designator | Description | Part No. |
|----------------------|--|------------|
| Capacitors | | |
| C1-C3 | 0.1 μ F, +80%, -20%, 50 V Ceramic Capacitor | 122002-104 |
| C8,C9 | 0.01 μ F, +80%, -20%, 25 V Minimum, Axial-Lead Ceramic Capacitor | 122005-103 |
| C15 | 470 pF, 100 V Ceramic Capacitor (Acceptable substitute is part no. 122013-471) | 122016-471 |
| C16 | 0.1 μ F, +80%, -20%, 50 V Ceramic Capacitor | 122002-104 |
| C17 | 1000 pF, \pm 5%, 100 V Axial-Lead Ceramic Capacitor (Acceptable substitute is part no. 122002-102) | 122016-102 |
| C18 | 0.1 μ F, +80%, -20%, 50 V Ceramic Capacitor | 122002-104 |
| C19 | 0.01 μ F, +80%, -20%, 25 V Minimum, Axial-Lead Ceramic Capacitor | 122005-103 |
| C21 | 0.1 μ F, +80%, -20%, 50 V Ceramic Capacitor | 122002-104 |
| C26-C29 | 0.01 μ F, +80%, -20%, 25 V Minimum, Axial-Lead Ceramic Capacitor | 122005-103 |
| C34, C35 | 470 pF, 100 V Ceramic Capacitor (Acceptable substitute is part no. 122013-471) | 122016-471 |
| C36, C37 | 1000 pF, \pm 5%, 100 V Axial-Lead Ceramic Capacitor (Acceptable substitute is part no. 122002-102) | 122016-102 |
| C38 | 0.01 μ F, +80%, -20%, 25 V Minimum, Axial-Lead Ceramic Capacitor | 122005-103 |
| C39,C40 | 0.1 μ F, +80%, -20%, 50 V Ceramic Capacitor | 122002-104 |
| C43-C48 | 0.01 μ F, +80%, -20%, 25 V Minimum, Axial-Lead Ceramic Capacitor | 122005-103 |
| C50 | 0.01 μ F, +80%, -20%, 25 V Minimum, Axial-Lead Ceramic Capacitor | 122005-103 |
| C54,C55 | 0.01 μ F, +80%, -20%, 25 V Minimum, Axial-Lead Ceramic Capacitor | 122005-103 |
| C57-C61 | 0.01 μ F, +80%, -20%, 25 V Minimum, Axial-Lead Ceramic Capacitor | 122005-103 |
| Connectors | | |
| P19 | 24-Pin Connector | 179073-024 |
| P20 | 44-Pin Connector (Acceptable substitute is part no. 179046-044) | 179073-044 |
| Miscellaneous | | |
| | Spacer | 037873-01 |
| | #4-40 x 1/4 -Inch Cross-Recessed, Pan-Head Steel Machine Screw | 72-1404F |
| | Plastic Washer | 175009-221 |
| | Grommet | 178044-242 |
| | Snap-In Fastener | 178045-442 |

NOTICE TO ALL PERSONS RECEIVING THIS DRAWING
CONFIDENTIAL: Reproduction forbidden without the specific written permission of Atari, Inc., Sunnyvale, CA. This drawing is only conditionally issued, and neither receipt nor possession thereof confers or transfers any right in, or license to use, the subject matter of the drawing or any design or technical information shown thereon, nor any right to reproduce this drawing or any part thereof. Except for manufacture by vendors of Atari, Inc. and for manufacture under the corporations' written license, no right is granted to reproduce this drawing or the subject matter thereof, unless by written agreement with or written permission from the corporation.



**Figure 5-11 Crystal Castles PCB Assembly
A039574-21 A**

Crystal Castles PCB Assembly Parts List

| Designator | Description | Part No. |
|----------------------------|--|------------|
| Capacitors | | |
| C1 | 0.1 μ F, +80%, -20%, 50 V, Ceramic Capacitor | 122002-104 |
| C2 | 100 pF, 100 V, Dipped Fixed Mica Capacitor | 128002-101 |
| C3 | 39 pF, 100 V, Dipped Fixed Mica Capacitor | 128002-390 |
| C4 | 0.1 μ F, +80%, -20%, 50 V, Ceramic Capacitor | 122002-104 |
| C5 | 0.01 μ F, +80%, -20%, 25 V Minimum, Axial-Lead Ceramic Capacitor | 122005-103 |
| C7 | 0.01 μ F, +80%, -20%, 25 V Minimum, Axial-Lead Ceramic Capacitor | 122005-103 |
| C8-C13 | 0.22 μ F, \pm 20%, 25 V Axial-Lead Ceramic Capacitor | 122004-224 |
| C14-C21 | 0.01 μ F, +80%, -20%, 25 V Minimum, Axial-Lead Ceramic Capacitor | 122005-103 |
| C22, C23 | 0.1 μ F, +80%, -20%, 50 V, Ceramic Capacitor | 122002-104 |
| C25-C29 | 0.1 μ F, +80%, -20%, 50 V, Ceramic Capacitor | 122002-104 |
| C30 | 0.01 μ F, +80%, -20%, 25 V Minimum, Axial-Lead Ceramic Capacitor | 122005-103 |
| C31 | 0.22 μ F, \pm 20%, 25 V, Axial-Lead Ceramic Capacitor | 122004-224 |
| C32-C34 | 0.1 μ F, +80%, -20%, 50 V, Ceramic Capacitor | 122002-104 |
| C35 | 0.01 μ F, +80%, -20%, 25 V Minimum, Axial-Lead Ceramic Capacitor | 122005-103 |
| C36 | 0.1 μ F, +80%, -20%, 50 V, Ceramic Capacitor | 122002-104 |
| C37 | 0.22 μ F, \pm 20%, 25 V, Axial-Lead Ceramic Capacitor | 122004-224 |
| C38, C39 | 0.1 μ F, +80%, -20%, 50 V, Ceramic Capacitor | 122002-104 |
| C40 | 0.22 μ F, 25 V, \pm 20%, Axial-Lead Ceramic Capacitor | 122004-224 |
| C41, C42 | 100 μ F, 25 V, Axial-Lead Aluminum Electrolytic Capacitor | 24-250107 |
| C43-C85 | 0.1 μ F, +80%, -20%, 50 V, Ceramic Capacitor | 122002-104 |
| Diodes | | |
| CR1 | 500 mW, \pm 5%, 8.2 V, Zener Diode | 32-1N756A |
| CR2 | Red Light-Emitting Diode | 38-MV5053 |
| Integrated Circuits | | |
| 1B | Line Driver/Receiver Integrated Circuit | 37-74LS244 |
| 1C | Line Driver/Receiver Integrated Circuit | 37-74LS244 |
| 1D | Line Driver/Receiver Integrated Circuit | 37-74LS244 |
| 1F | ROM Integrated Circuit | 136022-XXX |
| 1J | ROM Integrated Circuit | 136022-XXX |
| 1K | ROM Integrated Circuit | 136022-XXX |
| 1L | ROM Integrated Circuit | 136022-XXX |
| 1N | ROM Integrated Circuit | 136022-XXX |
| 1P | 74LS33 Integrated Circuit | 137239-001 |
| 1R | 74LS33 Integrated Circuit | 137239-001 |
| 1S | Hex Inverter Integrated Circuit | 37-74LS04 |
| 2D | Microprocessor Integrated Circuit | 90-6013 |
| 2E | Tri-State Octal Bus Transceiver Integrated Circuit | 37-74LS245 |
| 2F | Line Driver/Receiver Integrated Circuit | 37-74LS244 |
| 2H | Quad Data Selector/Multiplexer Integrated Circuit | 37-74LS257 |
| 2J | Line Driver/Receiver Integrated Circuit | 37-74LS244 |
| 2K | Quad 2-Input NAND Gate Integrated Circuit | 37-74S00 |
| 2L | Quad Data Selector/Multiplexer Integrated Circuit | 37-74LS157 |
| 2M | Quad Data Selector/Multiplexer Integrated Circuit | 37-74LS157 |
| 2N | Quad Data Selector/Multiplexer Integrated Circuit | 37-74LS157 |

(continued on next page)

Crystal Castles PCB Assembly Parts List, continued

| Designator | Description | Part No. |
|------------|--|-------------|
| 2P | Quad Data Selector/Multiplexer Integrated Circuit | 37-74LS157 |
| 2R | Dual 2-4 Decoder/Multiplexer Integrated Circuit | 37-74LS139 |
| 3D | Custom Audio Integrated Circuit | C012294-01 |
| 3E | Tri-State Octal Bus Transceiver Integrated Circuit | 37-74LS245 |
| 3F | Tri-State Octal Bus Transceiver Integrated Circuit | 37-74LS245 |
| 3H | Tri-State Octal Bus Transceiver Integrated Circuit | 37-74LS245 |
| 3K | Vertical Scroll Integrated Circuit | 137321-1111 |
| 3L | Up/Down Counter Integrated Circuit | 37-74LS191 |
| 3M | Up/Down Counter Integrated Circuit | 37-74LS191 |
| 3N | Up/Down Counter Integrated Circuit | 37-74LS191 |
| 3P | Up/Down Counter Integrated Circuit | 37-74LS191 |
| 3R | Quad 2-Input OR Gate Integrated Circuit | 37-74LS32 |
| 4C | Tri-State Octal Bus Transceiver Integrated Circuit | 37-74LS245 |
| 4D | Tri-State Octal Bus Transceiver Integrated Circuit | 37-74LS245 |
| 4E | 16K X 4 RAM Integrated Circuit | 137323-001 |
| 4F | 16K X 4 RAM Integrated Circuit | 137323-001 |
| 4H | 16K X 4 RAM Integrated Circuit | 137323-001 |
| 4J | 16K X 4 RAM Integrated Circuit | 137323-001 |
| 4L | Dual Data Selector/Multiplexer Integrated Circuit | 37-74153 |
| 4M | Dual Data Selector/Multiplexer Integrated Circuit | 37-74153 |
| 4N | Dual Data Selector/Multiplexer Integrated Circuit | 37-74153 |
| 4P | Dual Data Selector/Multiplexer Integrated Circuit | 37-74153 |
| 4R | Dual 2-4 Decoder/Multiplexer Integrated Circuit | 37-74LS139 |
| 5B | Quad Op-Amp Integrated Circuit | 37-LM324 |
| 5E | Quad 2-Input OR Gate Integrated Circuit | 37-74LS32 |
| 5F | Octal D-Type Flip-Flop Integrated Circuit | 37-74LS374 |
| 5H | Octal D-Type Flip-Flop Integrated Circuit | 37-74LS374 |
| 5J | Quad 2-Input, With Storage Multiplexer Integrated Circuit | 137201-001 |
| 5K | Quad 2-Input AND Gate Integrated Circuit | 37-74LS08 |
| 5L | Hex Inverter Integrated Circuit | 37-74LS04 |
| 5M | Quad 2-Input NAND Gate Integrated Circuit | 37-74LS00 |
| 5N | Up/Down Binary, Synchronous 4-Bit Counter Integrated Circuit | 137109-001 |
| 5P | Up/Down Binary, Synchronous 4-Bit Counter Integrated Circuit | 137109-001 |
| 5R | Quad 2-Input OR Gate Integrated Circuit | 37-74LS32 |
| 6A | Quad 2-Input OR Gate Integrated Circuit | 37-74S32 |
| 6B | 200 ns Tri-State Static RAM Integrated Circuit | 137198-001 |
| 6D | 200 ns Tri-State Static RAM Integrated Circuit | 137198-001 |
| 6E | Quad Data Selector/Multiplexer Integrated Circuit | 37-74LS157 |
| 6F | Quad Data Selector/Multiplexer Integrated Circuit | 37-74LS157 |
| 6H | Quad Data Selector/Multiplexer Integrated Circuit | 37-74LS157 |
| 6K | Quad 2-Input NOR Gate Integrated Circuit | 37-74LS02 |
| 6L | Bus PROM Integrated Circuit | 136022-109 |
| 6M | 3-8 Line Decoder/Multiplexer Integrated Circuit | 137177-001 |
| 6N | Hex Inverter Integrated Circuit | 37-74LS04 |
| 6P | 8-Bit Latch Integrated Circuit | 37-74LS259 |
| 6R | Dual 2-4 Decoder/Multiplexer Integrated Circuit | 37-74LS139 |
| 7A | Octal D-Type Flip-Flop Integrated Circuit | 37-74LS374 |
| 7B | 4-Bit Binary, Full Adder Integrated Circuit | 137204-001 |

(continued on next page)

Crystal Castles PCB Assembly Parts List, continued

| Designator | Description | Part No. |
|------------|---|-------------|
| 7C | 4-Bit Binary, Full Adder Integrated Circuit | 137204-001 |
| 7D | Dual 4-Input NAND Gate Integrated Circuit | 37-74LS20 |
| 7E | Hex D-Type Flip-Flop Integrated Circuit | 37-74LS174 |
| 7F | Hex Inverter Integrated Circuit | 37-74LS04 |
| 7H | Quad 2-Input NOR Gate Integrated Circuit | 37-74S02 |
| 7J | Quad 2-Input OR Gate Integrated Circuit | 37-74S32 |
| 7K | Synchronous PROM Integrated Circuit | 136022-108 |
| 7L | Dual D-Type Flip-Flop Integrated Circuit | 37-74LS74 |
| 7M | 4-Bit Decade Counter Integrated Circuit | 37-74163 |
| 7N | 4-Bit Decade Counter Integrated Circuit | 37-74LS160 |
| 7P | 4-Bit Synchronous Counter Integrated Circuit | 37-74LS163A |
| 7R | 4-Bit Synchronous Counter Integrated Circuit | 37-74LS163A |
| 8B | ROM Integrated Circuit | 136022-XXX |
| 8D | ROM Integrated Circuit | 136022-XXX |
| 8E | Quad 2-Input Exclusive OR Gate Integrated Circuit | 37-74LS86 |
| 8F | Quad 2-Input Exclusive OR Gate Integrated Circuit | 37-74LS86 |
| 8H | Quad 2-Input NOR Gate Integrated Circuit | 37-74S02 |
| 8J | Quad D-Type Flip-Flop Integrated Circuit | 37-74LS175 |
| 8K | Quad 2-Input AND Gate Integrated Circuit | 37-74LS08 |
| 8L | Dual J-K Flip-Flop Integrated Circuit | 37-74109 |
| 8M | Up/Down Counter Integrated Circuit | 37-74LS193 |
| 8N | 8-Bit Latch Integrated Circuit | 37-74LS259 |
| 9A | Quad 2-Input, with Storage Multiplexer Integrated Circuit | 137201-001 |
| 9B | Shift Register Integrated Circuit | 37-74LS194 |
| 9C | Shift Register Integrated Circuit | 37-74LS194 |
| 9D | Shift Register Integrated Circuit | 37-74LS194 |
| 9E | Dual D-Type Flip-Flop Integrated Circuit | 37-74LS74 |
| 9F | Quad 2-Input OR Gate Integrated Circuit | 37-74LS32 |
| 9H | Quad 2-Input NOR Gate Integrated Circuit | 37-74LS02 |
| 9J | Quad 2-Input NAND Gate Integrated Circuit | 37-74LS00 |
| 9K | Dual D-Type Flip-Flop Integrated Circuit | 37-74S74 |
| 9L | Dual D-Type Flip-Flop Integrated Circuit | 37-74S74 |
| 9M | Hex Inverter Integrated Circuit | 37-74S04 |
| 10A | 55 ns Tri-State Static RAM Integrated Circuit | 137199-001 |
| 10B | 55 ns Tri-State Static RAM Integrated Circuit | 137199-001 |
| 10C | 4-Bit Synchronous Counter Integrated Circuit | 37-74LS163A |
| 10D | 4-Bit Synchronous Counter Integrated Circuit | 37-74LS163A |
| 10E | 4-Bit Synchronous Counter Integrated Circuit | 37-74LS163A |
| 10F | 4-Bit Synchronous Counter Integrated Circuit | 37-74LS163A |
| 10H | Quad 2-Input OR Gate Integrated Circuit | 37-74LS32 |
| 10J | Dual J-K Flip-Flop Integrated Circuit | 37-74109 |
| 10K | Color PROM Integrated Circuit | 136022-111 |
| 10L | 4 to 1 Data Selector/Multiplexer Integrated Circuit | 37-74LS153 |
| 10M | 4 to 1 Data Selector/Multiplexer Integrated Circuit | 37-74LS153 |

(continued on next page)

Crystal Castles PCB Assembly Parts List, continued

| Designator | Description | Part No. |
|------------------|---|-------------|
| 10N | Octal D-Type Flip-Flop Integrated Circuit | 37-74LS273 |
| 10R | 64 x 9 RAM Integrated Circuit | 137322-001 |
| 11A | Line Driver/Receiver Integrated Circuit | 37-74LS244 |
| 11B | Quad 2-Input, with Storage Multiplexer Integrated Circuit | 137201-001 |
| 11C | Line Driver/Receiver Integrated Circuit | 37-74LS244 |
| 11E | Trak-Ball Interface Integrated Circuit | 137304-1001 |
| 11F | Quad 2-Input OR Gate Integrated Circuit | 37-74LS32 |
| 11H | Hex Buffer/Driver Integrated Circuit | 37-7407 |
| 11K | Quad 2-Input OR Gate Integrated Circuit | 37-74S32 |
| 11L | Write PROM Integrated Circuit | 136022-110 |
| 11M | Dual D-Type Flip-Flop Integrated Circuit | 37-74S74 |
| 11N | Hex Buffer/Driver Integrated Circuit | 37-7407 |
| 11P | Hex Buffer/Driver Integrated Circuit | 37-7407 |
| 11R | Dual D-Type Flip-Flop Integrated Circuit | 37-74LS74 |
| 3/8 R | Dual 5-Input NOR Gate Integrated Circuit | 37-74S260 |
| Resistors | | |
| R1, R2 | 10 k Ω , $\pm 5\%$, 1/4 W Resistor | 110000-103 |
| R3 | 220 Ω , $\pm 5\%$, 1/4 W Resistor | 110000-221 |
| R4 | 4.7 k Ω , $\pm 5\%$, 1/4 W Resistor | 110000-472 |
| R5 | 220 Ω , $\pm 5\%$, 1/4 W Resistor | 110000-221 |
| R6 | 1 k Ω , $\pm 5\%$, 1/4 W Resistor | 110000-102 |
| R7 | 220 Ω , $\pm 5\%$, 1/4 W Resistor | 110000-221 |
| R8 | 10 k Ω , $\pm 5\%$, 1/4 W Resistor | 110000-103 |
| R9 | 27 Ω , $\pm 5\%$, 1/4 W Resistor | 110000-270 |
| R10-R12 | 220 Ω , $\pm 5\%$, 1/4 W Resistor | 110000-221 |
| R13 | 1 k Ω , $\pm 5\%$, 1/4 W Resistor | 110000-102 |
| R14 | 27 Ω , $\pm 5\%$, 1/4 W Resistor | 110000-270 |
| R15-R18 | 1 k Ω , $\pm 5\%$, 1/4 W Resistor | 110000-102 |
| R19-R24 | 27 Ω , $\pm 5\%$, 1/4 W Resistor | 110000-270 |
| R25-R36 | 10 k Ω , $\pm 5\%$, 1/4 W Resistor | 110000-103 |
| R37-R53 | 1 k Ω , $\pm 5\%$, 1/4 W Resistor | 110000-102 |
| R54 | 220 Ω , $\pm 5\%$, 1/4 W Resistor | 110000-221 |
| R55 | 1.2 k Ω , $\pm 5\%$, 1/4 W Resistor | 110000-122 |
| R56-R60 | 1 k Ω , $\pm 5\%$, 1/4 W Resistor | 110000-102 |
| R61 | 4.7 k Ω , $\pm 5\%$, 1/4 W Resistor | 110000-472 |
| R62 | 22 k Ω , $\pm 5\%$, 1/4 W Resistor | 110000-223 |
| R63 | 10 k Ω , $\pm 5\%$, 1/4 W Resistor | 110000-103 |
| R64 | 100 Ω , $\pm 5\%$, 1/4 W Resistor | 110000-101 |
| R65 | 100 Ω , $\pm 5\%$, 1/4 W Resistor | 110000-101 |
| R66-R69 | 1 k Ω , $\pm 5\%$, 1/4 W Resistor | 110000-102 |
| R70 | 4.7 k Ω , $\pm 5\%$, 1/4 W Resistor | 110000-472 |
| R71 | 10 k Ω , $\pm 5\%$, 1/4 W Resistor | 110000-103 |
| R72 | 22 k Ω , $\pm 5\%$, 1/4 W Resistor | 110000-223 |
| R73-R74 | 100 Ω , $\pm 5\%$, 1/4 W Resistor | 110000-101 |

(continued on next page)

Crystal Castles PCB Assembly Parts List, continued

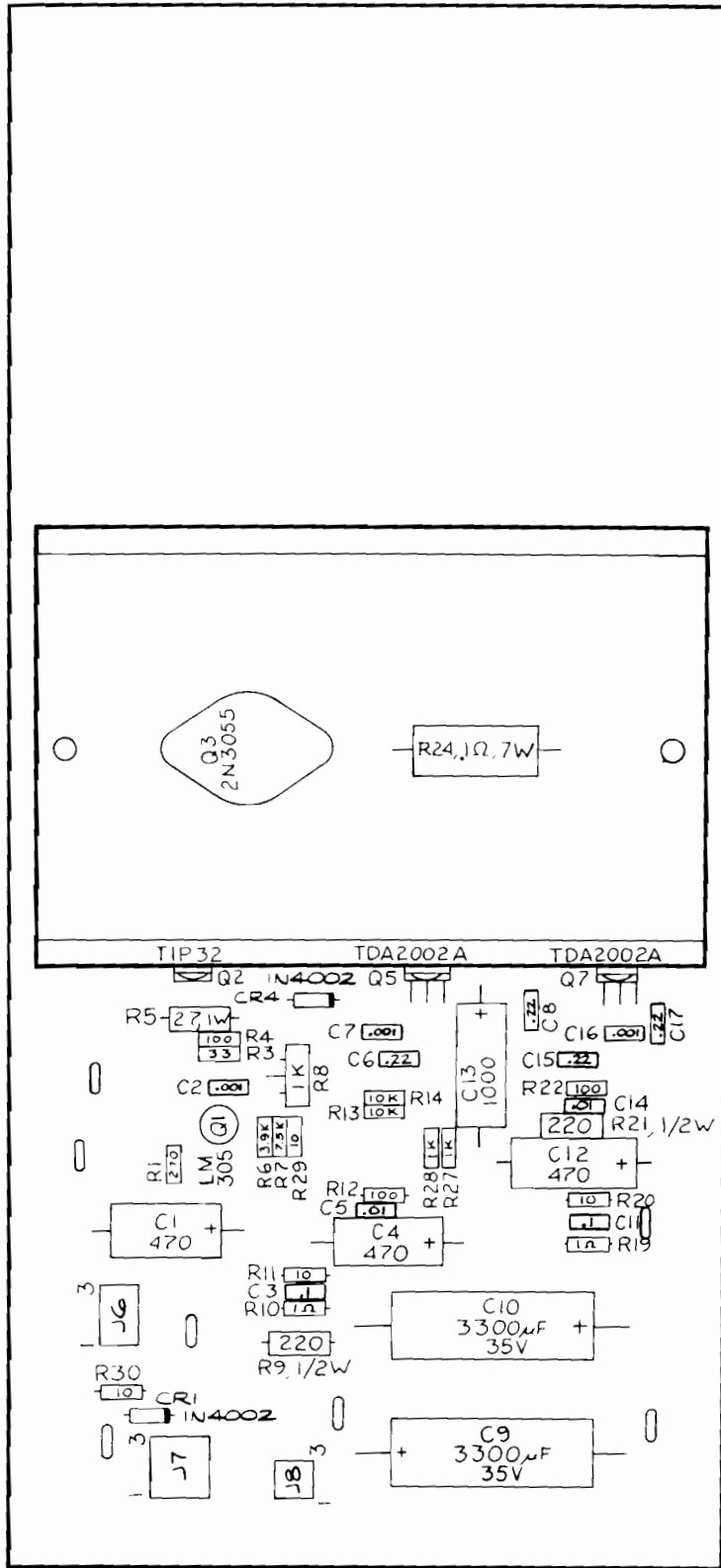
| Designator | Description | Part No. |
|----------------|--|------------|
| R75-R78 | 1 k Ω , $\pm 5\%$, ¼ W Resistor | 110000-102 |
| R79 | 4.7 k Ω , $\pm 5\%$, ¼ W Resistor | 110000-472 |
| R80 | 10 k Ω , $\pm 5\%$, ¼ W Resistor | 110000-103 |
| R81 | 22 k Ω , $\pm 5\%$, ¼ W Resistor | 110000-223 |
| R82, R83 | 100 Ω , $\pm 5\%$, ¼ W Resistor | 110000-101 |
| R84-R91 | 3.3 k Ω , $\pm 5\%$, ¼ W Resistor | 110000-332 |
| R92, R93 | 470 Ω , $\pm 5\%$, ¼ W Resistor | 110000-471 |
| R95-R99 | 470 Ω , $\pm 5\%$, ¼ W Resistor | 110000-471 |
| R100, R101 | 1 k Ω , $\pm 5\%$, ¼ W Resistor | 110000-102 |
| R103-R107 | 1 k Ω , $\pm 5\%$, ¼ W Resistor | 110000-102 |
| R108 | 220 Ω , $\pm 5\%$, ¼ W Resistor | 110000-221 |
| R109 | 1 k Ω , $\pm 5\%$, ¼ W Resistor | 110000-102 |
| R110-R112 | 10 k Ω , $\pm 5\%$, ¼ W Resistor | 110000-103 |
| R113-R115 | 1 k Ω , $\pm 5\%$, ¼ W Resistor | 110000-102 |
| R116-R118 | 470 Ω , $\pm 5\%$, ¼ W Resistor | 110000-471 |
| R119 | 220 Ω , $\pm 5\%$, ¼ W Resistor | 110000-221 |
| R120 | 1 k Ω , $\pm 5\%$, ¼ W Resistor | 110000-102 |
| R121, R122 | 100 k Ω , $\pm 5\%$, ¼ W Resistor | 110000-104 |
| R123 | 62 k Ω , $\pm 5\%$, ¼ W Resistor | 110000-623 |
| R124-R127 | 1 k Ω , $\pm 5\%$, ¼ W Resistor | 110000-102 |
| R128 | 220 Ω , $\pm 5\%$, ¼ W Resistor | 110000-221 |
| R129 | 1 k Ω , $\pm 5\%$, ¼ W Resistor | 110000-102 |
| R130 | 2.2 k Ω , $\pm 5\%$, ¼ W Resistor | 110000-222 |
| R131, R132 | 100 k Ω , $\pm 5\%$, ¼ W Resistor | 110000-104 |
| R133 | 2.2 k Ω , $\pm 5\%$, ¼ W Resistor | 110000-222 |
| R134 | 100 k Ω , $\pm 5\%$, ¼ W Resistor | 110000-104 |
| R135 | 150 Ω , $\pm 5\%$, ¼ W Resistor | 110000-151 |
| R136-R152 | 1 k Ω , $\pm 5\%$, ¼ W Resistor | 110000-102 |
| Sockets | | |
| 1F | 28 Contact, Medium-Insertion-Force IC Socket | 79-42C28 |
| 1J | 28 Contact, Medium-Insertion-Force IC Socket | 79-42C28 |
| 1K | 28 Contact, Medium-Insertion-Force IC Socket | 79-42C28 |
| 1L | 28 Contact, Medium-Insertion-Force IC Socket | 79-42C28 |
| 1N | 28 Contact, Medium-Insertion-Force IC Socket | 79-42C28 |
| 2D | 40 Contact, Medium-Insertion-Force IC Socket | 79-42C40 |
| 3B | 40 Contact, Medium-Insertion-Force IC Socket | 79-42C40 |
| 3D | 40 Contact, Medium-Insertion-Force IC Socket | 79-42C40 |
| 4A | 18 Contact, Medium-Insertion-Force IC Socket | 79-42C18 |
| 4B | 18 Contact, Medium-Insertion-Force IC Socket | 79-42C18 |
| 8B | 28 Contact, Medium-Insertion-Force IC Socket | 79-42C28 |
| 8D | 28 Contact, Medium-Insertion-Force IC Socket | 79-42C28 |
| 10R | 28 Contact, Medium-Insertion-Force IC Socket | 79-42C28 |

(Continued on next page)

Crystal Castles PCB Assembly Parts List, continued

| Designator | Description | Part No. |
|----------------------|--|------------|
| Transistors | | |
| Q1-Q3 | 350 mW, 60 V, Switching NPN Transistor | 34-2N3904 |
| Q4 | 1 W, 40 V, PNP Transistor | 33-2N3906 |
| Q5 | 350 mW, 60 V, Switching NPN Transistor | 33-2N3904 |
| Q6 | 1 W, 40 V, PNP Transistor | 33-2N3906 |
| Q7 | 350 mW, 60 V, Switching NPN Transistor | 34-2N3904 |
| Q8 | 1 W, 40 V, PNP Transistor | 33-2N3906 |
| Q9 | 350 mW, 60 V, Switching NPN Transistor | 34-2N3904 |
| Q10-Q12 | 8A, 80 V, Darlington, NPN Transistor | 34-2N6044 |
| Miscellaneous | | |
| | Test Points (Acceptable substitute part number 020670-01) | 179051-002 |
| | Nylon Snap-In Fastener | 81-4302 |
| Y1 | 10-MHz Crystal | 90-123 |
| 8R | 4-Toggle DIP Switch | 66-114PIT |
| L1 | 100 μ H, \pm 10% Inductor | 141002-001 |
| L2-L4 | 0.29 Ω , 1.0 μ H, \pm 10% Peaking Coil Inductor | 141007-001 |

NOTICE TO ALL PERSONS RECEIVING THIS DRAWING
CONFIDENTIAL: Reproduction forbidden without the specific written permission of Alan, Inc., Sunnyvale, CA. This drawing is only conditionally issued, and neither receipt nor possession thereof confers or transfers any right in, or license to use, the subject matter of the drawing or any design or technical information shown thereon, nor any right to reproduce this drawing or any part thereof. Except for manufacture by vendors of Alan, Inc., and for manufacture under the corporation's written license, no right is granted to reproduce this drawing or the subject matter thereof, unless by written agreement with or written permission from the corporation.



**Figure 5-12 Regulator/Audio II PCB Assembly
A035435-01 G**

Regulator/Audio II PCB Assembly Parts List

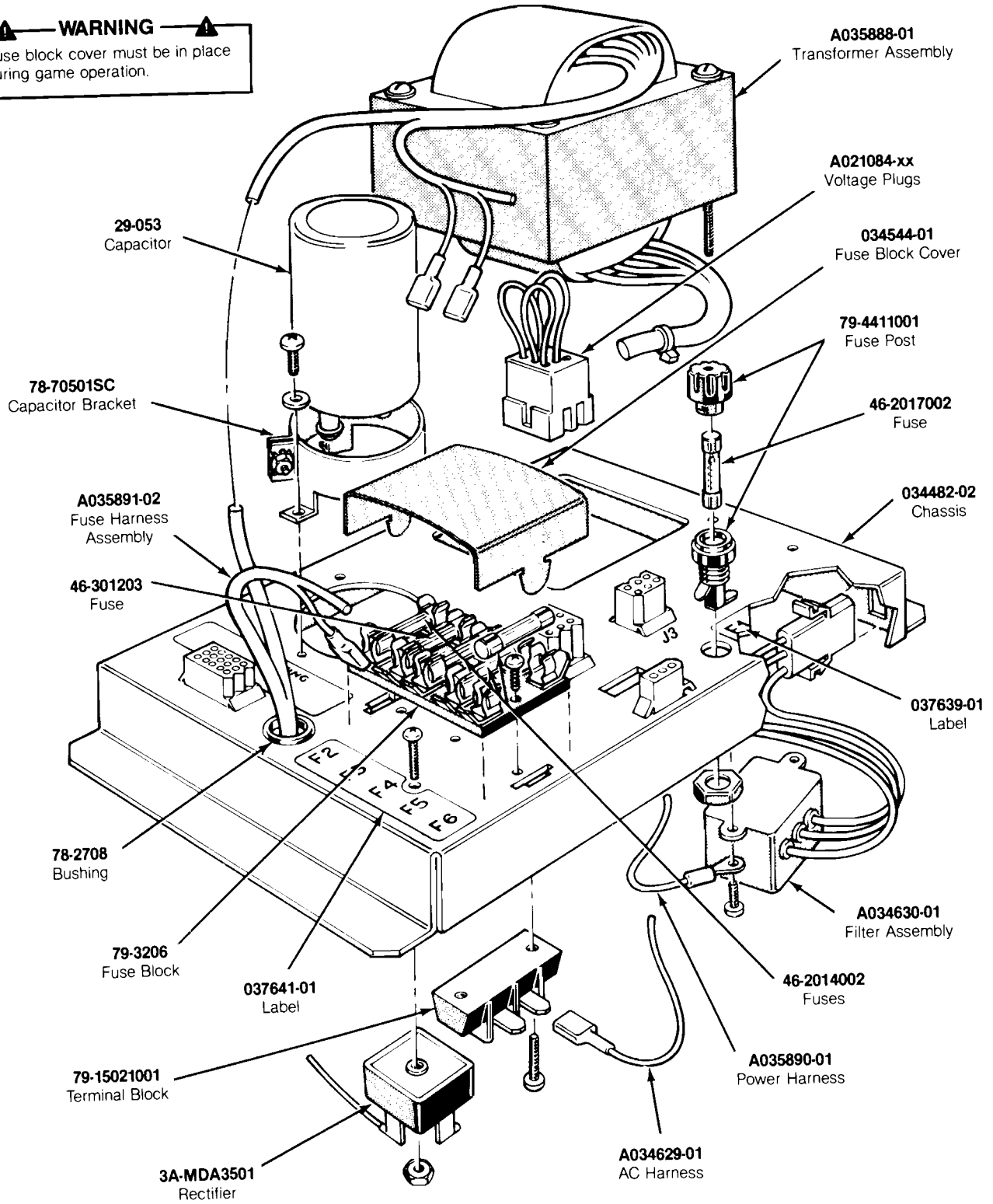
| Designator | Description | Part No. |
|-------------------|--|-------------|
| Capacitors | | |
| C1 | 470 μ F, 25 V, Aluminum Electrolytic Fixed Axial-Lead Capacitor | 24-250477 |
| C2 | 0.001 μ F, 35 V, Ceramic-Disc Axial-Lead Capacitor | 122002-102 |
| C3 | 0.1 μ F, 25 V, Ceramic-Disc Axial-Lead Capacitor | 29-088 |
| C4 | 470 μ F, 25 V, Aluminum Electrolytic Fixed Axial-Lead Capacitor | 24-250477 |
| C5 | .01 μ F, 25 V Ceramic-Disc Axial-Lead Capacitor (Acceptable substitute is part no. 122005-103) | 100015-103 |
| C6 | 0.22 μ F, 25 V, Ceramic-Disc Axial-Lead Capacitor | 122004-224 |
| C7 | 0.001 μ F, 35 V, Ceramic-Disc Axial-Lead Capacitor | 122002-102 |
| C8 | 0.22 μ F, 25 V, Ceramic-Disc Axial-Lead Capacitor | 122004-224 |
| C9, C10 | 3300 μ F, 35 V, Aluminum Electrolytic Fixed Axial-Lead Capacitor | 24-350338 |
| C11 | 0.1 μ F, 25 V, Ceramic-Disc Axial-Lead Capacitor | 29-088 |
| C12 | 470 μ F, 25 V, Aluminum Electrolytic Fixed Axial-Lead Capacitor | 24-250477 |
| C13 | 1000 μ F, 25 V, Aluminum Electrolytic Fixed Axial-Lead Capacitor | 24-250108 |
| C14 | .01 μ F, 25 V Ceramic-Disc Axial-Lead Capacitor (Acceptable substitute is part no. 122005-103) | 100015-103 |
| C15 | 0.22 μ F, 25 V, Ceramic-Disc Axial-Lead Capacitor | 122004-224 |
| C16 | 0.001 μ F, 35 V, Ceramic-Disc Axial-Lead Capacitor | 122002-102 |
| C17 | 0.22 μ F, 25 V, Ceramic-Disc Axial-Lead Capacitor | 122004-224 |
| Diodes | | |
| CR1, CR4 | Type-1N4002, 1 A, 100 V Silicon Rectifier Diode | 31-1N4002 |
| Resistors | | |
| R1 | 270 Ω , $\pm 5\%$, $\frac{1}{4}$ W Resistor | 110000-271 |
| R3 | 33 Ω , $\pm 5\%$, $\frac{1}{4}$ W Resistor | 110000-330 |
| R4 | 100 Ω , $\pm 5\%$, $\frac{1}{4}$ W Resistor | 110000-101 |
| R5 | 2.7 Ω , $\pm 5\%$, 1 W Resistor | 110009-027 |
| R6 | 3.9 k Ω , $\pm 5\%$, $\frac{1}{4}$ W Resistor | 110000-392 |
| R7 | 7.5 k Ω , $\pm 5\%$, $\frac{1}{4}$ W Resistor | 110000-752 |
| R8 | 1 k Ω Vertical PCB-Mounting Cermet Potentiometer (Acceptable substitute is part no. 119002-102) | 19-315102 |
| R9 | 220 Ω , $\pm 5\%$, $\frac{1}{2}$ W Resistor | 110001-221 |
| R10 | 1 Ω , $\pm 5\%$, $\frac{1}{4}$ W Resistor | 110000-010 |
| R11 | 10 Ω , $\pm 5\%$, $\frac{1}{4}$ W Resistor | 110000-100 |
| R12 | 100 Ω , $\pm 5\%$, $\frac{1}{4}$ W Resistor | 110000-101 |
| R13, R14 | 10 k Ω , $\pm 5\%$, $\frac{1}{4}$ W Resistor | 110000-103 |
| R19 | 1 Ω , $\pm 5\%$, $\frac{1}{4}$ W Resistor | 110000-010 |
| R20 | 10 Ω , $\pm 5\%$, $\frac{1}{4}$ W Resistor | 110000-100 |
| R21 | 220 Ω , $\pm 5\%$, $\frac{1}{2}$ W Resistor | 110001-221 |
| R22 | 100 Ω , $\pm 5\%$, $\frac{1}{4}$ W Resistor | 110000-101 |
| R24 | 0.1 Ω , $\pm 3\%$, 7 W Wirewound Resistor | 19-100P1015 |
| R27, R28 | 1 k Ω , $\pm 5\%$, $\frac{1}{4}$ W Resistor | 110000-102 |
| R29, R30 | 10 Ω , $\pm 5\%$, $\frac{1}{4}$ W Resistor | 110000-100 |

(Continued on next page)

Regulator/Audio II PCB Assembly Parts List, continued

| Designator | Description | Part No. |
|----------------------|--|------------|
| Transistors | | |
| Q2 | Type-TIP32 PNP Power Transistor | 33-TIP32 |
| Q3 | Type-2N3055 NPN Silicon Transistor | 34-2N3055 |
| Miscellaneous | | |
| J6 | 6-Position Connector Receptacle | 79-58306 |
| J7 | 9-Position Connector Receptacle | 79-58308 |
| J8 | 4-Position Connector Receptacle | 79-58354 |
| Q2 | Thermally Conductive Silicon Insulator | 78-16014 |
| Q3 | Thermally Conductive Silicon Insulator | 78-16008 |
| | Heat Sink | 034531-01 |
| | Test Point (Acceptable substitute is part no. 020670-01) | 179051-001 |

WARNING
 Fuse block cover must be in place during game operation.



**Figure 5-13 Power Supply Assembly
 A037671-01 J**

Power Supply Assembly Parts List

| Designator | Description | Part No. |
|------------|--|-------------|
| C1 | 27,000 μ F, 15 VDC Electrolytic Capacitor | 29-053 |
| C1 | 2-Inch Diameter Capacitor Mounting Bracket | 78-70501SC |
| CR1 | Type-MDA 3501 Bridge Rectifier | 3A-MDA3501 |
| F1 | Panel-Mounting Non-Indicating 3AG Cartridge-Type Fuse Post | 79-4411001 |
| F1 | 7 A, 250 V, 3AG Slow-Blow Glass Cartridge-Type Fuse | 46-2017002 |
| F1 | Label for Fuse Value | 037639-01 |
| F2 | 4 A, 250 V, 3AG Slow-Blow Glass Cartridge-Type Fuse | 46-2014002 |
| F2-F6 | 5-Position 3AG Fuse Block with $\frac{1}{4}$ -Inch Quick-Disconnect Terminals | 79-3206 |
| F2-F6 | Fuse Harness Assembly | A035891-02 |
| F2-F6 | Fuse Block Cover | 034544-01 |
| F2-F6 | Label for Fuse Values | 037641-01 |
| F3 | 20 A, 32 V, 3AG Slow-Blow Glass Cartridge-Type Fuse | 46-301203 |
| F4 | 2-Circuit Single-Row Terminal Block (located under F4) | 79-15021001 |
| F4-F6 | 4 A, 250 V, 3AG Slow-Blow Glass Cartridge-Type Fuse | 46-2014002 |
| FL1 | RFI Filter Assembly (designation not marked) | A034630-01 |
| J2 | Power Harness Assembly | A035890-01 |
| J3 | Voltage Plug for 120 V (105-135 VAC. Yellow wire color—plugs into J3 .) | A021084-02 |
| J4A | AC Harness Assembly | A034629-01 |
| T1 | Transformer Assembly (designation covered. Acceptable substitute is part no. A035888-02.) | A035888-01 |
| | Nylon Type 6/6 Hole Bushing with $\frac{3}{8}$ -Inch Inside Diameter x $\frac{5}{16}$ -Inch Outside Diameter x $\frac{1}{4}$ -Inch Thick | 78-2708 |
| | Power Supply Chassis Base | 034482-02 |
| | Metal Base Plate (not shown in illustration) | 037243-01 |

Glossary

AC

Alternating current; from zero it rises to a maximum positive level, then passes through zero again to a maximum negative level.

ACTIVE STATE

The true state of a signal. For example: The active state for START is low.

ADDRESS

A value that identifies a specific location of data in memory; normally expressed in hexadecimal notation.

ANALOG

Measurable in an absolute quantity (as opposed to on or off). Analog devices are volume controls, light dimmers, stereo amplifiers, etc.

ANODE

The positive (arrow) end of a diode.

AMPLIFIER

A device used to increase the strength of an applied signal.

AMPLITUDE

The maximum instantaneous value of a waveform pulse from zero.

ASTABLE

Having no normal state. An astable device will free-run or oscillate as long as operating voltage is applied. The oscillation frequency is usually controlled by external circuitry.

AUXILIARY COIN SWITCH

A momentary-contact pushbutton switch with a black cap located on the utility panel. The auxiliary coin switch adds credits to the game without activating the coin counter.

BEZEL

A cut, formed, or machined retention device, such as the conical device used to mount a pushbutton switch to a control panel, or the formed device used to frame the video display screen.

BIDIRECTIONAL

Able to send or receive data on the same line (e.g., the data bus of a microprocessor).

BINARY

A number system that expresses all values by using two digits (0 and 1).

BIT

A binary digit; expressed as a 1 or a 0.

BLANKING

Turning off the beam on a cathode-ray tube during retrace.

BLOCK DIAGRAM

A drawing in which functional circuitry units are represented by blocks. Very useful during initial troubleshooting.

BUFFER

1. An isolating circuit designed to eliminate the reaction of a driven circuit on the circuits driving it (e.g., a buffer amplifier).

2. A device used to supply additional drive capability.

BUS

An electrical path over which information is transferred from any of several sources to any of several destinations.

CAPACITOR

A device capable of storing electrical energy. A capacitor blocks the flow of DC current while allowing AC current to pass.

CATHODE

The negative end of a diode.

CHIP

An integrated circuit comprising many circuits on a single wafer slice.

CLOCK

A repetitive timing signal for synchronizing system functions.

COINCIDENCE

Occurring at the same time.

COIN COUNTER

A 6-digit electro-mechanical device that counts the coins inserted in the coin mechanism(s).

COIN MECHANISM

A device on the inside of the coin door that inspects the coin to determine if the correct coin has been inserted.

COMPLEMENTARY

Having opposite states, such as the outputs of a flip-flop.

COMPOSITE SYNC

Horizontal and vertical synchronization pulses that are bused together into a single signal. This signal provides the timing necessary to keep the display in synchronization with the game circuitry.

COMPOSITE VIDEO

Complete video signal from the game system to drive the display circuitry, usually comprising H SYNC, V SYNC, and the video.

CREDIT

One play for one person based on the game switch settings.

CRT

Cathode-ray tube.

DATA

General term for the numbers, letters, and symbols that serve as input for device processing.

DARLINGTON

A two-transistor amplifier that provides extremely high gain.

DC

Direct current, meaning current flowing in one direction and of a fixed value.

DEFLECTION YOKE

Electro-magnetic coils around the neck of a cathode-ray tube. One set of coils deflects the electron beam horizontally and the other set deflects the beam vertically.

DIAGNOSTICS

A programmed routine for checking circuitry. For example: the self-test is a diagnostic routine.

DIODE

A semiconductor device that conducts in only one direction.

DISCRETE

Non-integrated components, such as resistors, capacitors, and transistors.

DMA

Direct memory access. DMA is a process of accessing memory that bypasses the microprocessor logic. DMA is normally used for transferring data between the input/output ports and memory.

DOWN TIME

The period during which a game is malfunctioning or not operating correctly due to machine failure.

EAROM

Electrically alterable read-only memory (see ROM). The EAROM is a memory that can be changed by the application of high voltage.

FLYBACK

A step-up transformer used in a display to provide the high voltage.

GATE

1. A circuit with one output that responds when and only when a certain combination of pulses is present at the inputs.

2. A circuit in which one signal switches another signal on and off.

3. To control the passage of a pulse or signal.

HARNES

A prefabricated assembly of insulated wires and terminals ready to be attached to a piece of equipment.

HEXADECIMAL

A number system using the equivalent of the decimal number 16 as a base. The symbols 0–9 and A–F are usually used.

IMPLODE

To burst inward; the inward collapse of a vacuum tube.

I/O

Input/Output.

IRQ

Interrupt request. IRQ is a control signal to the microprocessor that is generated by external logic. This signal tells the microprocessor that external logic needs attention. Depending on the program, the processor may or may not respond.

LED

The abbreviation for a light-emitting diode.

LOCKOUT COIL

Directs coins into the coin return box when there is no power to the game.

LOGIC STATE

The binary (1 or 0) value at the node of a logic element or integrated circuit during a particular time. Also called the logic level. The list below shows the voltage levels corresponding to the logic states (levels) in a TTL system.

Logic 0, Low = 0 VDC to +0.8 VDC

Grey Area (Tri-State Level) =

+0.8 VDC to +2.4 VDC

Logic 1, High =

+2.4 VDC to +5 VDC

MULTIPLEXER

A device that takes several low-speed inputs and combines them into one high-speed data stream for simultaneous transmission on a single line.

NMI

Non-maskable interrupt. NMI is a request for service by the microprocessor from external logic. The microprocessor cannot ignore this interrupt request.

PAGE

A subsection of memory. A read-only memory device (see ROM) is broken into discrete blocks of data. These blocks are called pages. Each block has X number of bytes.

PCB

The abbreviation for a printed-circuit board.

PHOTOTRANSISTOR

A transistor that is activated by an external light source.

POTENTIOMETER

1. A resistor that has a continuously moving contact which is generally mounted on a moving shaft. Used chiefly as a voltage divider. Also called a *pot* (slang).

2. An instrument for measuring a voltage by balancing it against a known voltage.

RAM

Random-access memory. A device for the temporary storage of data.

RASTER-SCAN DISPLAY

A display system whereby images are displayed by continuously scanning the cathode-ray tube horizontally and vertically with an electron beam. The display system controls the intensity of the electron beam.

RETRACE

In a raster-scan display, retrace is the time during which the cathode-ray tube electron beam is resetting either from right to left or from bottom to top.

RESISTOR

A device designed to have a definite amount of resistance. Used in circuits to limit current flow or to provide a voltage drop.

ROM

Read-only memory. A device for the permanent storage of data.

SIGNATURE ANALYSIS

A process of isolating digital logic faults at the component level by means of special test equipment called signature analyzers. Basically, signature analyzers (e.g., the ATARI® CAT Box) convert lengthy bit streams into four-digit hexadecimal signatures. The signature read by the analyzer at each circuit node is then compared with the known good signature for that node. This process continues until a fault is located.

TROUBLESHOOT

The process of locating and repairing a fault.

VECTOR

A line segment drawn between specific X and Y coordinates on a cathode-ray tube.

WATCHDOG

A counter circuit designed to protect the microprocessor from self-destruction if a program malfunction occurs. If

a malfunction does occur, the counter applies continuous pulses to the reset line of the microprocessor, which causes the microprocessor to keep re-setting.

X-Y DISPLAY

A display system whereby images are displayed with vectors.

ZENER DIODE

A special diode used as a regulator. Its main characteristic is breaking down at a specified reverse-bias (Zener) voltage.

YOUR COMMENTS, PLEASE!

Your comments will assist Atari in improving our publications. The comments are an important part of preparing for revisions of game manuals. Please write in the space below. No postage stamp is necessary if mailed in the U.S.A.

If you have any technical questions about certain ATARI games products, or are requesting additional publications, we will immediately forward your note to the appropriate person.

Page: Comments:

Fill in if you wish a reply:

Name _____

Firm _____

Address _____

City _____ State _____ Zip _____

Area Code _____ Phone _____

Distributor

Operator

Other _____

First Fold



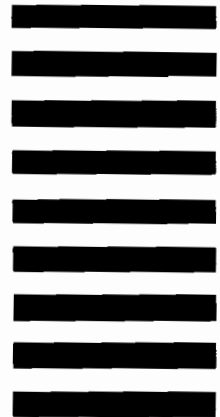
No postage
necessary if
mailed in the
United States

BUSINESS REPLY MAIL

FIRST CLASS PERMIT NO. 1004 SUNNYVALE, CA

POSTAGE WILL BE PAID BY ADDRESSEE

Atari, Inc.
Attn.: Field Service/Coin-Op Division
P.O. Box 427
Sunnyvale, California 94086



Second Fold

_____ From:

Tape this edge

YOUR COMMENTS, PLEASE!

Your comments will assist Atari in improving our publications. The comments are an important part of preparing for revisions of game manuals. Please write in the space below.

If you have any technical questions about certain ATARI games products, or are requesting additional publications, we will immediately forward your note to the appropriate person.

Page: Comments:

Fill in if you wish a reply:

Name _____

Firm _____

Address _____

City _____ Country _____

Phone: Country Code _____ Local Number _____

Distributor

Operator

Other _____

First Fold



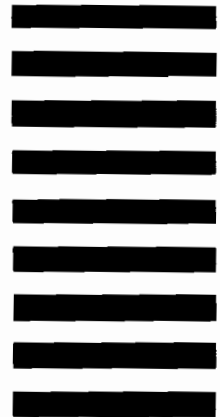
No postage
necessary if
mailed in the
United States

BUSINESS REPLY MAIL

FIRST CLASS PERMIT NO. 1004 SUNNYVALE, CA

POSTAGE WILL BE PAID BY ADDRESSEE

Atari, Inc.
Attn.: Field Service/Coin-Op Division
P.O. Box 427
Sunnyvale, California 94086



Second Fold

From:

Tape this edge



Warranty

Seller warrants that its printed-circuit boards and parts thereon are free from defects in material and workmanship under normal use and service for a period of ninety (90) days from date of shipment. Seller warrants that its video displays (in games supplied with displays) are free from defects in material and workmanship under normal use and service for a period of thirty (30) days from date of shipment. None of the Seller's other products or parts thereof are warranted.

If the products described in this manual fail to conform to this warranty, Seller's sole liability shall be, at its option, to repair, replace, or credit Buyer's account for such products which are returned to Seller during said warranty period, provided:

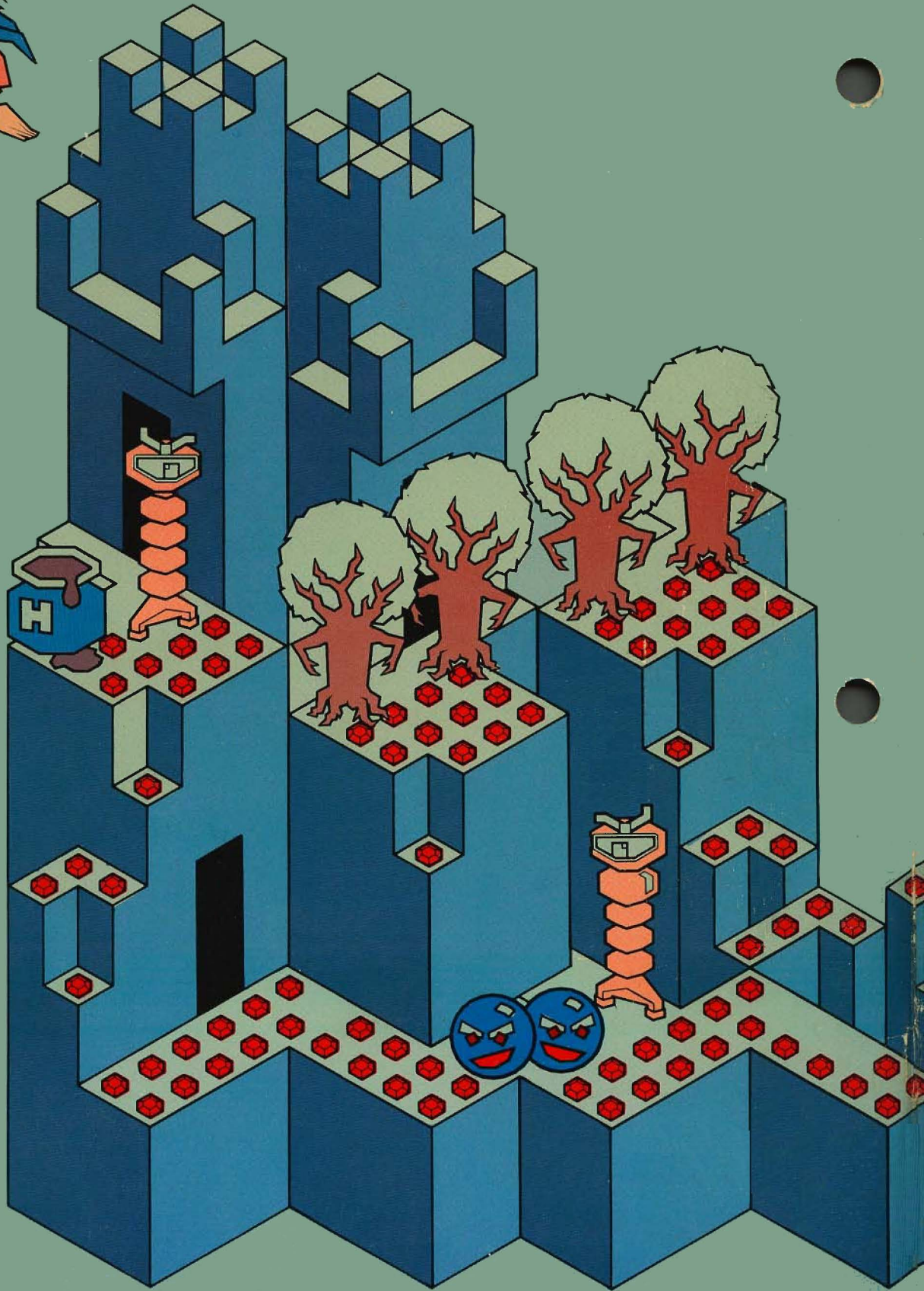
- (a) Seller is promptly notified in writing upon discovery by Buyer that said products are defective;
- (b) Such products are returned prepaid to Seller's plant; and
- (c) Seller's examination of said products discloses to Seller's satisfaction that such alleged defects existed and were not caused by accident, misuse, neglect, alteration, improper repair, installation, or improper testing.

In no event shall Seller be liable for loss of profits, loss of use, incidental or consequential damages.

Except for any express warranty set forth in a written contract between Seller and Buyer which contract supersedes the terms herein, this warranty is expressed in lieu of all other warranties expressed or implied, including the implied warranties of merchantability and fitness for a particular purpose, and of all other obligations or liabilities on the Seller's part, and it neither assumes nor authorizes any other person to assume for the Seller any other liabilities in connection with the sale of products by Seller.

The use of any non-Atari parts may void your warranty, according to the terms of the warranty. The use of any non-Atari parts may also adversely affect the safety of your game and cause injury to you and others. Be very cautious in using non-Atari-supplied components with our games, in order to insure your safety.

Atari distributors are independent, being privately owned and operated. In their judgment they may sell parts or accessories other than Atari parts or accessories. Atari cannot be responsible for the quality, suitability or safety of any non-Atari part or any modification including labor which is performed by such distributor.



ATARI, INC.
790 SYCAMORE DRIVE
P.O. BOX 906
MILPITAS, CALIFORNIA 95035
408/942-3100 • TELEX 35-7488