

# Table of Contents

Sheet 1A	Table of Contents
Sheet 1B	Food Fight Main Wiring Diagram—US (039908-01 A)
Sheet 2A	Food Fight Main Wiring Diagram—Ireland (039998-01 A)
Sheet 2B	Regulator/Audio II PCB Schematic Diagram (035435-01 G), Color Raster Power Supply Wiring Diagram (037669-01 E)
Sheet 3A	Coin Door Wiring Diagram (A037542-01 D), Utility Panel Wiring Diagram (A038004-01 E), Fluorescent Light Wiring Diagram (035833-01 A)
Sheet 3B	EMI Shield Schematic Diagram (037430-04 A)
Sheet 4A	Memory Map
<i>Game PCB Schematics, Sheets 4B–10B</i>	
Sheet 4B	Food Fight Power/Ground and CPU Schematic Diagram
Sheet 5A	Food Fight Reset and Digital I/O Schematic Diagram
Sheet 5B	Food Fight Address Decoder Schematic Diagram
Sheet 6A	Food Fight Memory Schematic Diagram
Sheet 6B	Food Fight Sync Schematic Diagram
Sheet 7A	Food Fight Playfield RAM/ROM Schematic Diagram
Sheet 7B	Food Fight Motion Object RAM Schematic Diagram
Sheet 8A	Food Fight Vertical Position Schematic Diagram
Sheet 8B	Food Fight Motion Object ROM Schematic Diagram
Sheet 9A	Food Fight Line Buffers Schematic Diagram
Sheet 9B	Food Fight Color RAM Schematic Diagram
Sheet 10A	Food Fight Sound Schematic Diagram
Sheet 10B	Food Fight Analog Inputs
<i>Display Schematics, Sheets 11A–11B</i>	
Sheet 11A	Electrohome Display Schematic Diagram (92-049)
Sheet 11B	Matsushita Display Schematic Diagram (139003-1004)



## NOTE

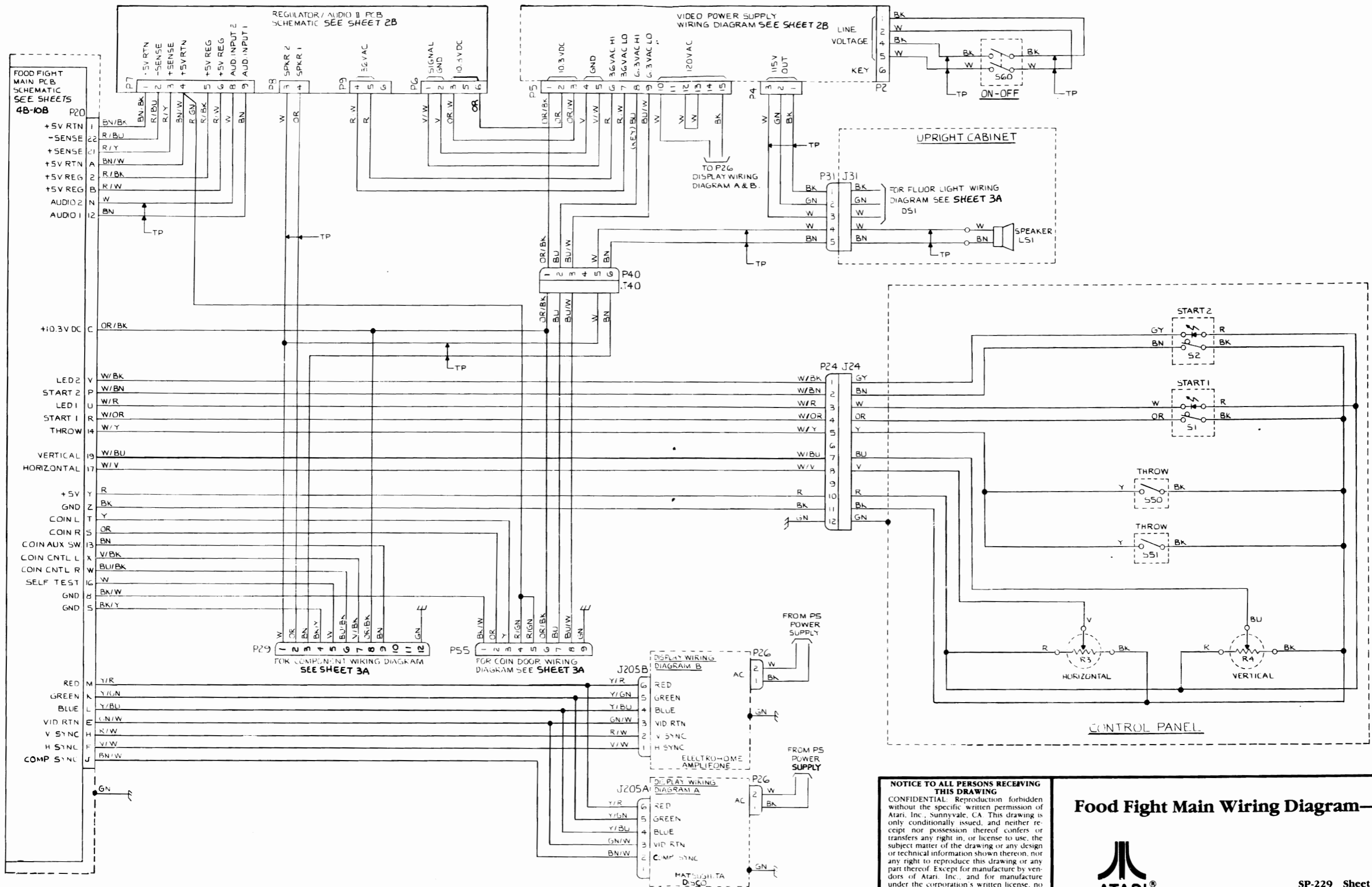
This staple temporarily holds the schematic package together. Remove the staple before using these schematics.

## Schematic Package Supplement to

*Charley Chuck's*  
**FOOD FIGHT™**

## Operators Manual

4M



**NOTICE TO ALL PERSONS RECEIVING THIS DRAWING**  
 CONFIDENTIAL: Reproduction forbidden without the specific written permission of Atari, Inc., Sunnyvale, CA. This drawing is only conditionally issued, and neither receipt nor possession thereof confers or transfers any right in, or license to use, the subject matter of the drawing or any design or technical information shown thereon, nor any right to reproduce this drawing or any part thereof. Except for manufacture by vendors of Atari, Inc., and for manufacture under the corporation's written license, no right is granted to reproduce this drawing or the subject matter thereof, unless by written agreement with or written permission from the corporation.

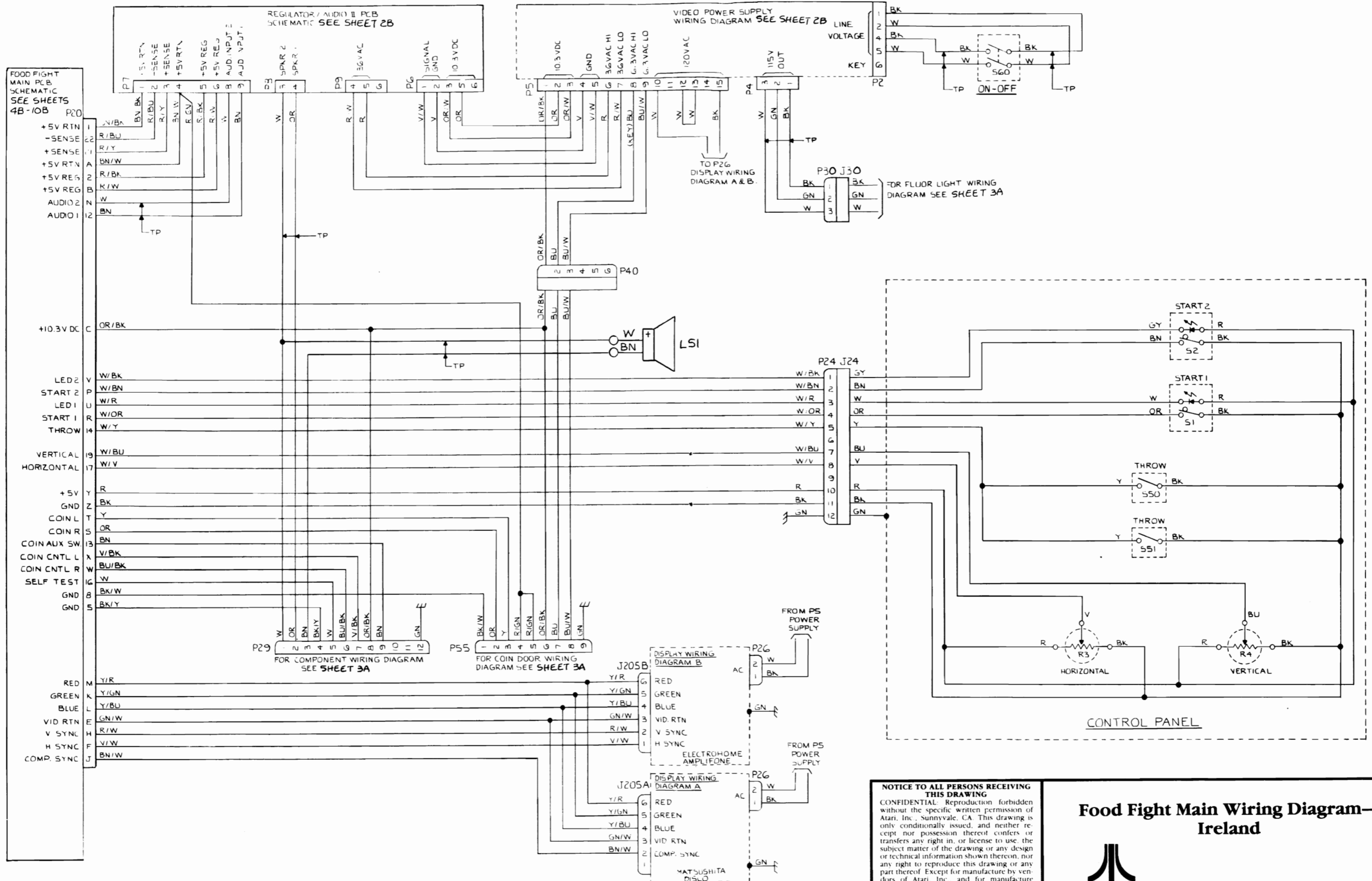
**Food Fight Main Wiring Diagram—US**



© ATARI INC. 1985

SP-229 Sheet 1B  
 2nd printing

A Warner Communications Company



FOOD FIGHT MAIN PCB SCHEMATIC SEE SHEETS 4B-10B

P20	1	+5V RTN
	22	-SENSE
	1	+SENSE
	A	+5V RTN
	2	+5V REG
	B	+5V REG
	12	AUDIO 2
	12	AUDIO 1
	C	+10.3V DC
	V	LED 2
	P	START 2
	U	LED 1
	R	START 1
	14	THROW
	19	VERTICAL
	17	HORIZONTAL
	Y	+5V
	Z	GND
	T	COIN L
	S	COIN R
	13	COIN AUX SW
	X	COIN CNTL L
	W	COIN CNTL R
	16	SELF TEST
	8	GND
	5	GND
	M	RED
	K	GREEN
	L	BLUE
	E	VID RTN
	H	V SYNC
	F	H SYNC
	J	COMP. SYNC

**NOTICE TO ALL PERSONS RECEIVING THIS DRAWING**  
 CONFIDENTIAL: Reproduction forbidden without the specific written permission of Atari, Inc., Sunnyvale, CA. This drawing is only conditionally issued, and neither receipt nor possession thereof confers or transfers any right in, or license to use, the subject matter of the drawing or any design or technical information shown thereon, nor any right to reproduce this drawing or any part thereof. Except for manufacture by vendors of Atari, Inc. and for manufacture under the corporation's written license, no right is granted to reproduce this drawing or the subject matter thereof, unless by written agreement with or written permission from the corporation.

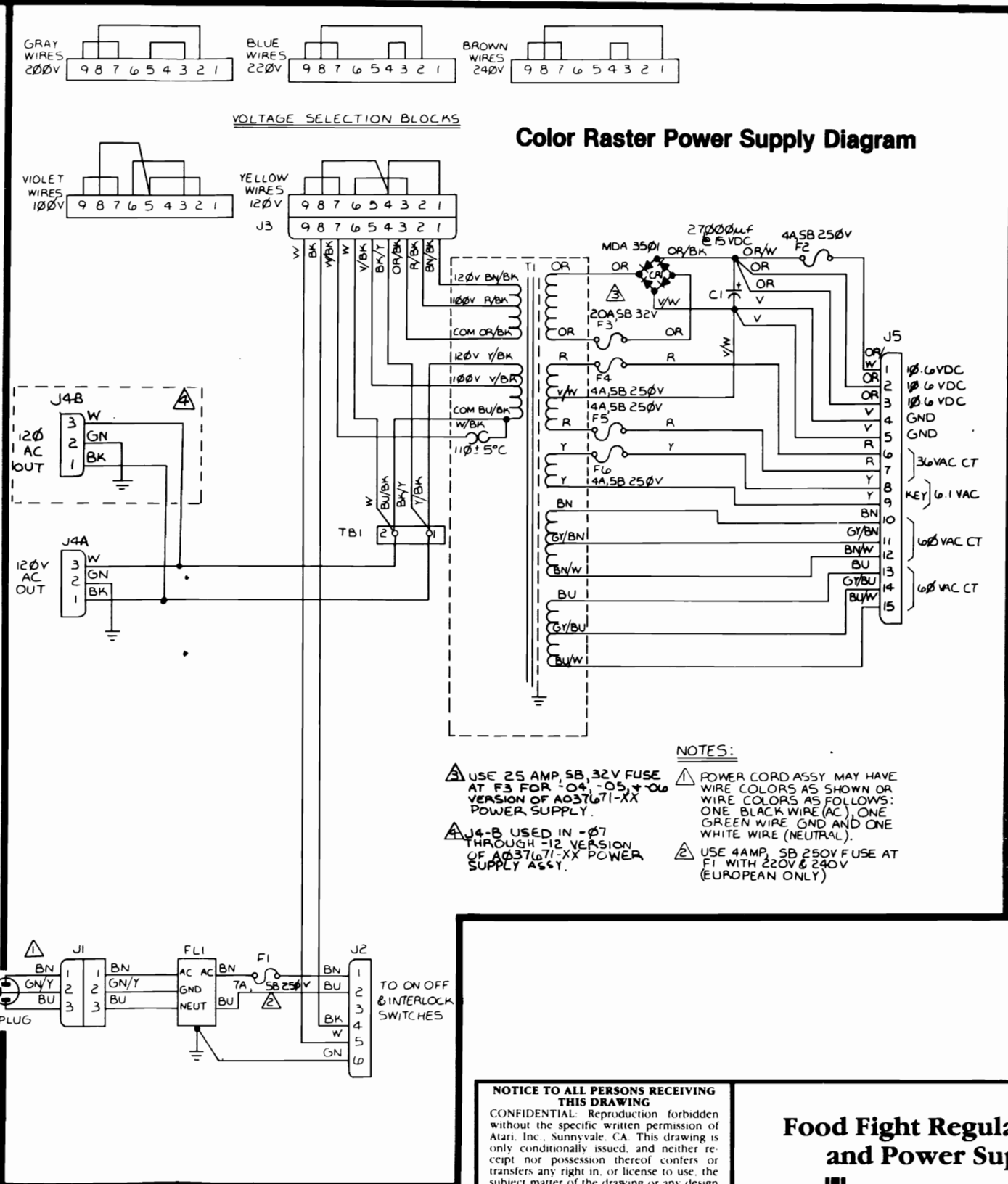
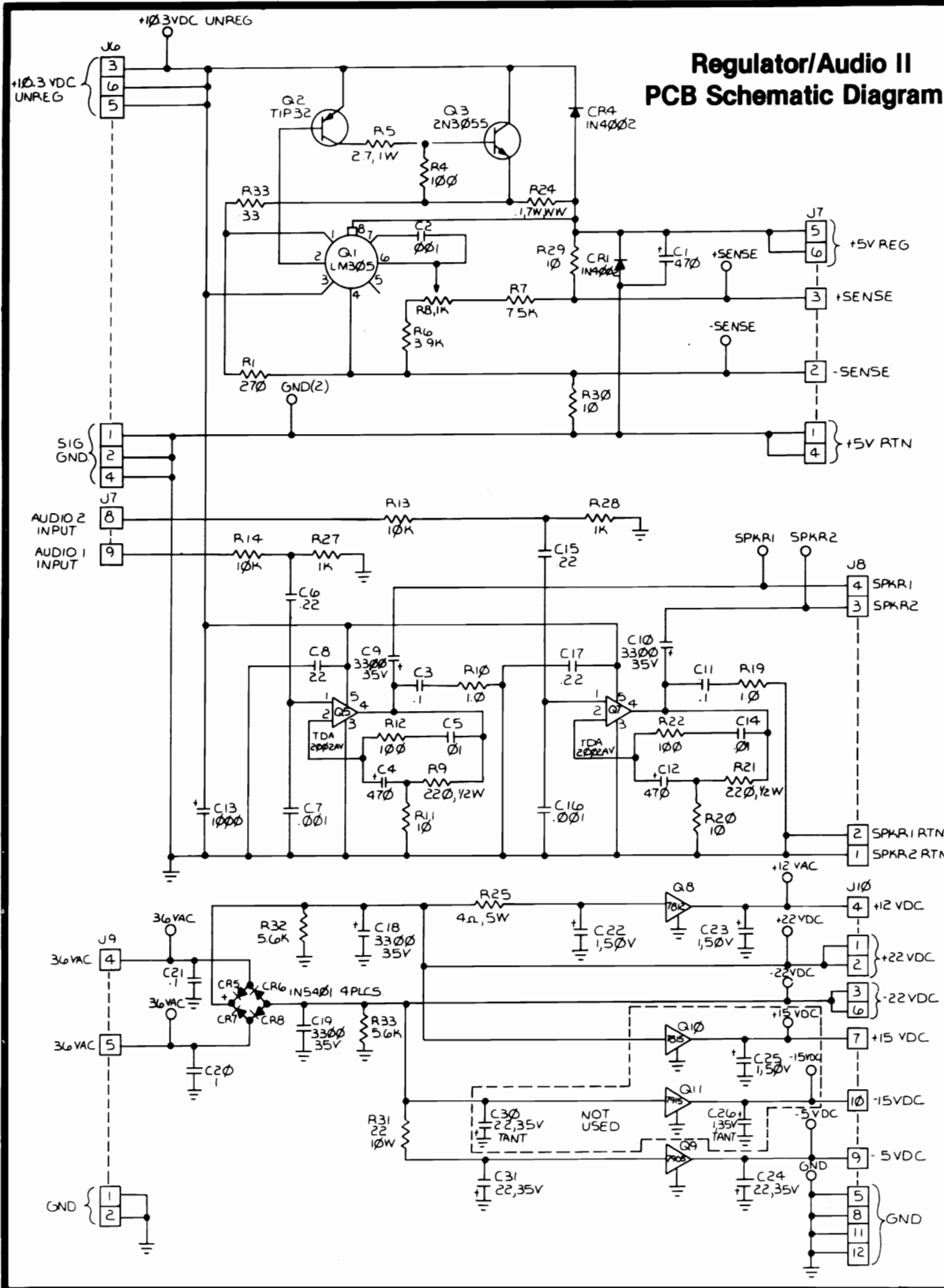
### Food Fight Main Wiring Diagram— Ireland



© ATARI INC. 1983

SP-229 Sheet 2A  
2nd printing

Warner Communications Company



## Food Fight Regulator/Audio II PCB and Power Supply Diagrams

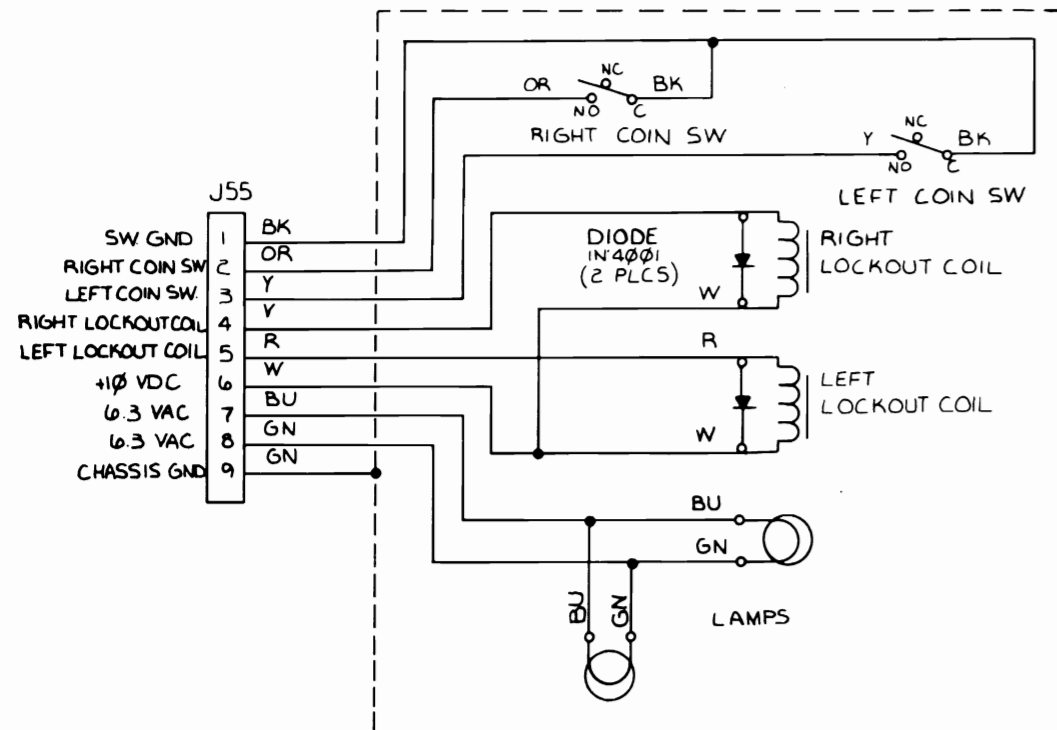


© ATARI INC. 1983

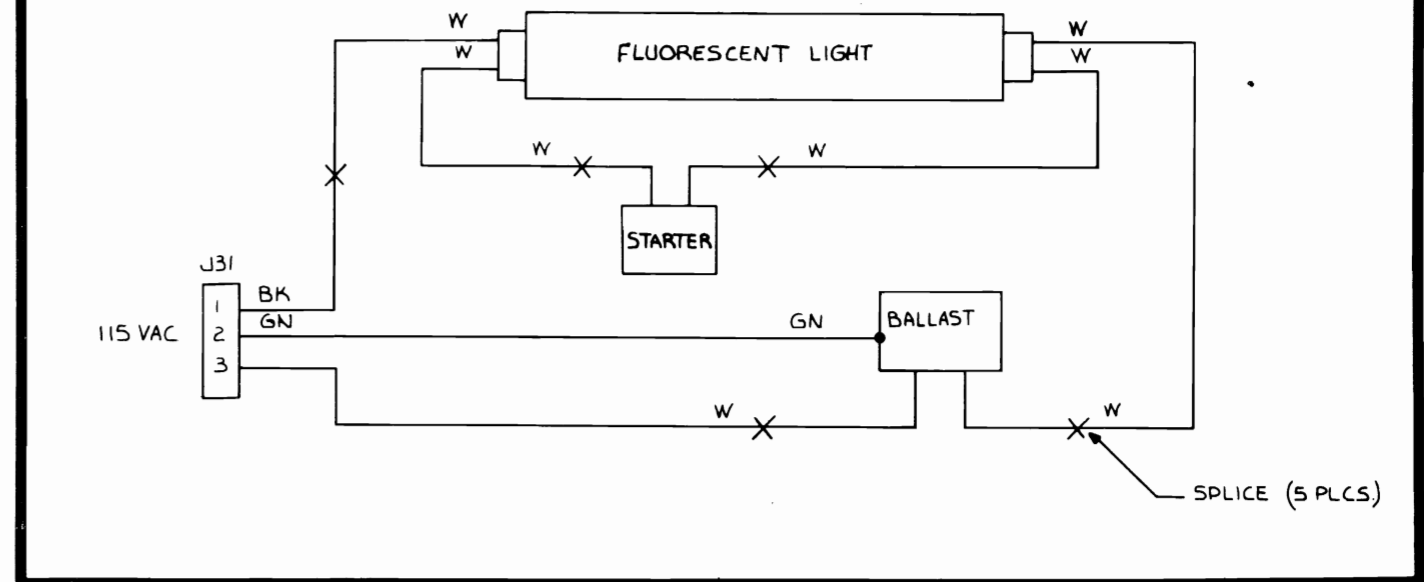
SP-229 Sheet 2B  
2nd printing

A Warner Communications Company

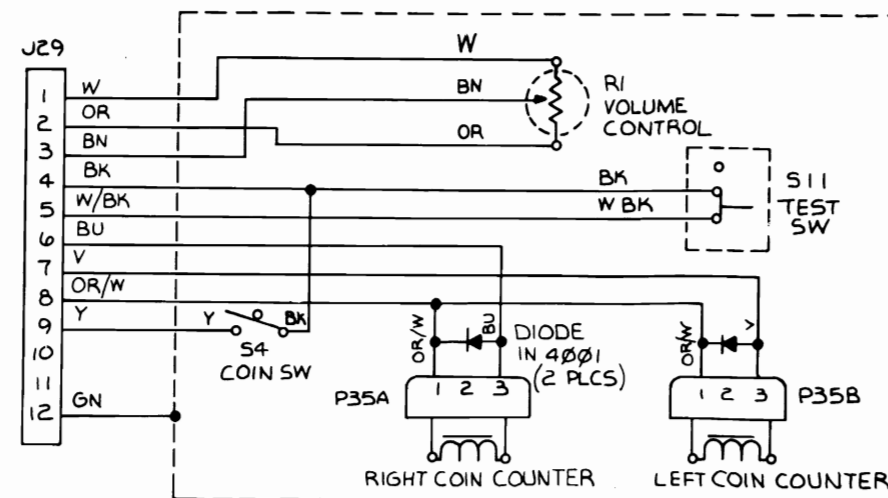
### Coin-Door Wiring Diagram



### Fluorescent Light Wiring Diagram



### Utility Panel Wiring Diagram



**NOTICE TO ALL PERSONS RECEIVING THIS DRAWING**  
 CONFIDENTIAL. Reproduction forbidden without the specific written permission of Atari, Inc., Sunnyvale, CA. This drawing is only conditionally issued, and neither receipt nor possession thereof confers or transfers any right in, or license to use, the subject matter of the drawing or any design or technical information shown thereon, nor any right to reproduce this drawing or any part thereof. Except for manufacture by vendors of Atari, Inc., and for manufacture under the corporation's written license, no right is granted to reproduce this drawing or the subject matter thereof, unless by written agreement with or written permission from the corporation.

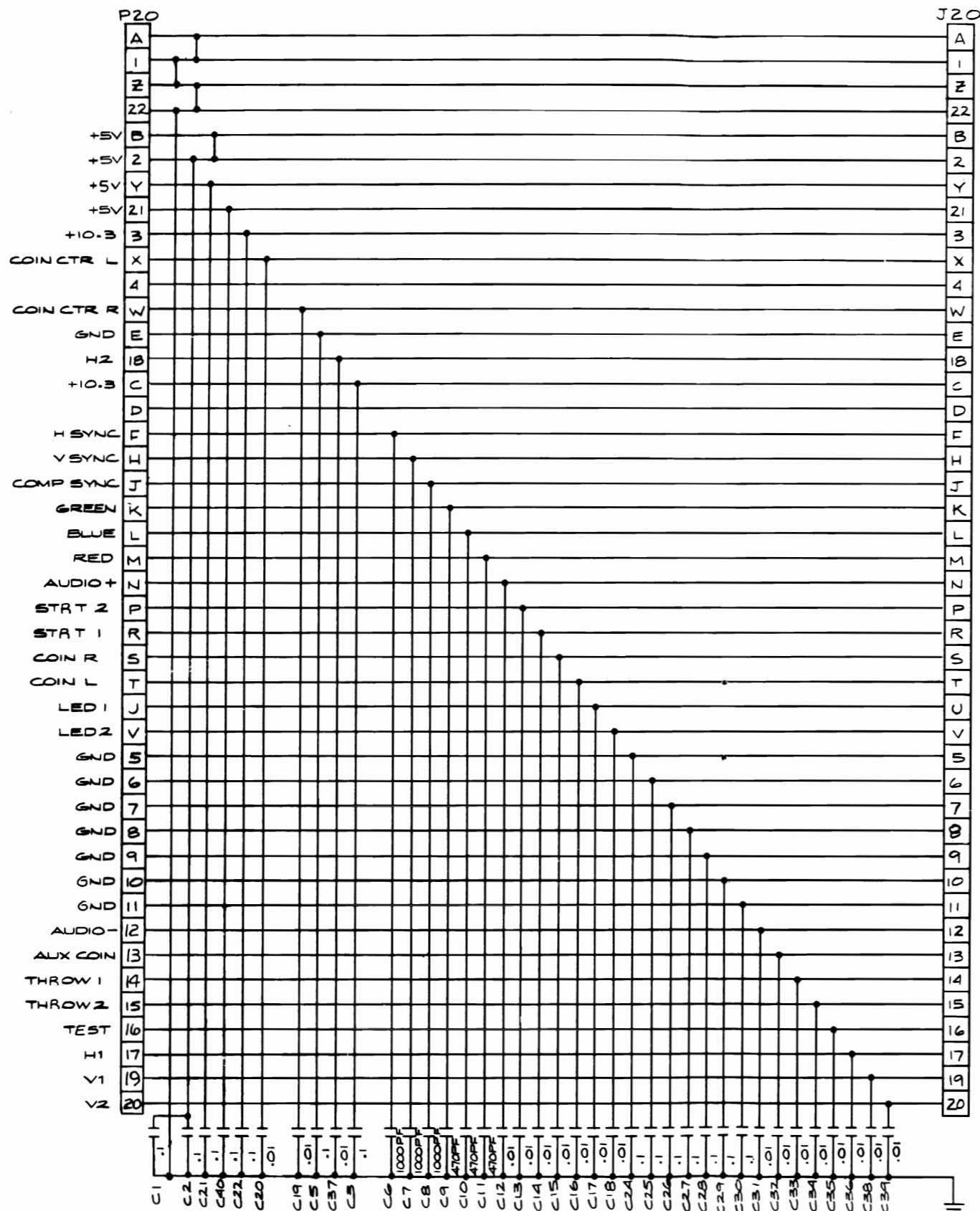
### Food Fight Game Wiring Interfaces



A Warner Communications Company

© ATARI INC. 1983

SP-229 Sheet 3A  
 2nd printing



**NOTICE TO ALL PERSONS RECEIVING THIS DRAWING**  
 CONFIDENTIAL: Reproduction forbidden without the specific written permission of Atari, Inc., Sunnyvale, CA. This drawing is only conditionally issued, and neither receipt nor possession thereof confers or transfers any right in, or license to use, the subject matter of the drawing or any design or technical information shown thereon, nor any right to reproduce this drawing or any part thereof. Except for manufacture by vendors of Atari, Inc., and for manufacture under the corporation's written license, no right is granted to reproduce this drawing or the subject matter thereof, unless by written agreement with or written permission from the corporation.

**EMI Shield Schematic Diagram**

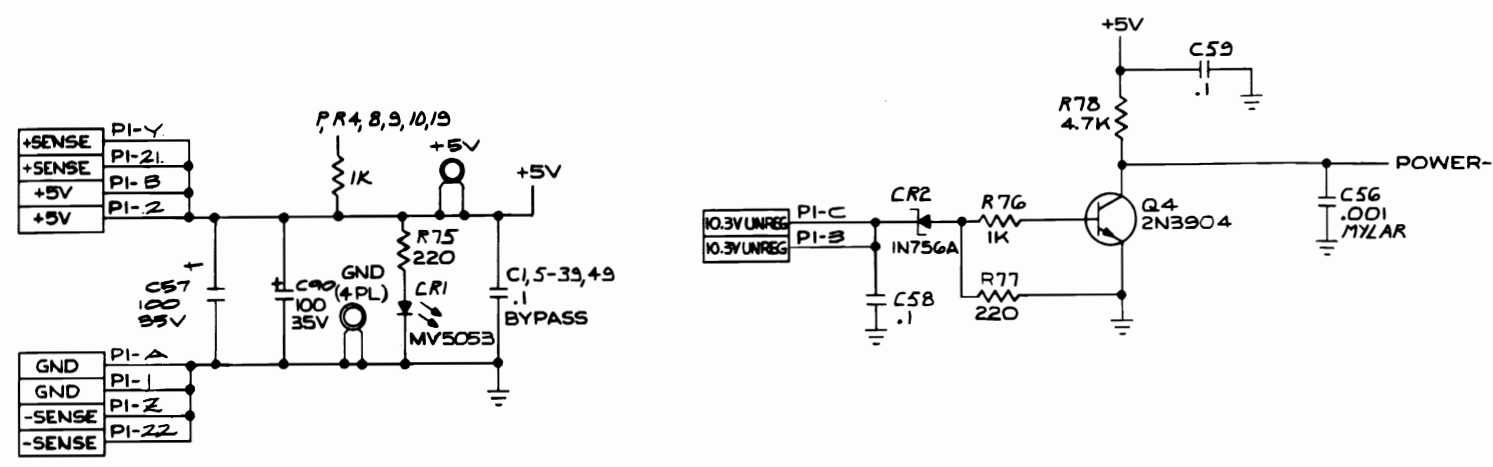
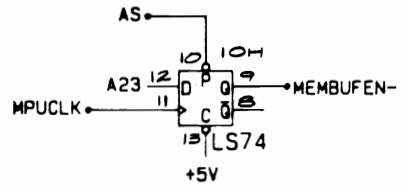
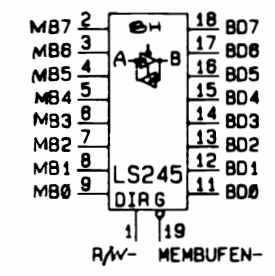
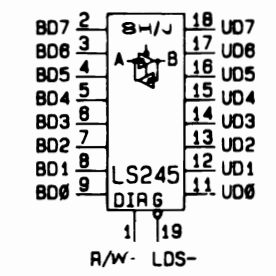
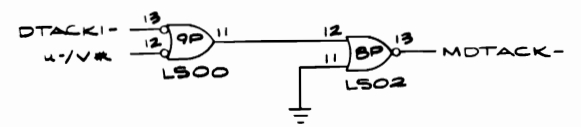
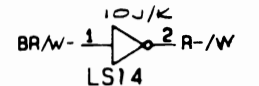
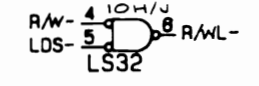
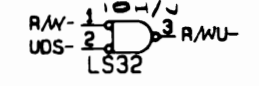
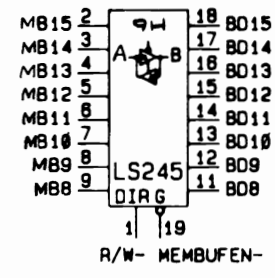
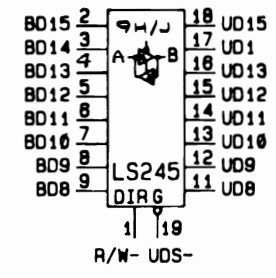
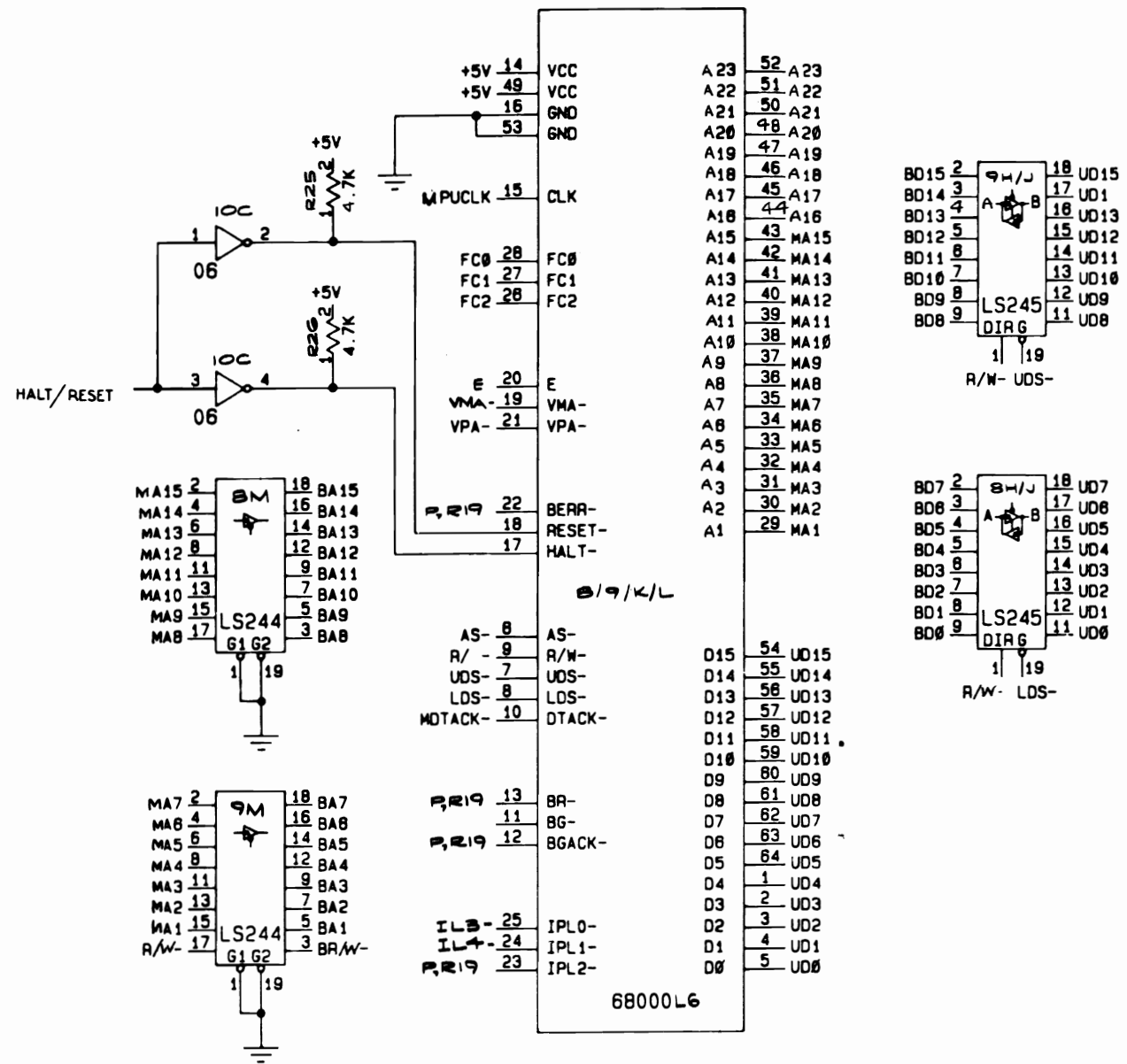


© ATARI INC. 1983

SP-229 Sheet 3B  
 2nd printing

A Warner Communications Company





**NOTICE TO ALL PERSONS RECEIVING THIS DRAWING**  
 CONFIDENTIAL: Reproduction forbidden without the specific written permission of Atari, Inc., Sunnyvale, CA. This drawing is only conditionally issued, and neither receipt nor possession thereof confers or transfers any right in, or license to use, the subject matter of the drawing or any design or technical information shown thereon, nor any right to reproduce this drawing or any part thereof. Except for manufacture by vendors of Atari, Inc. and for manufacture under the corporation's written license, no right is granted to reproduce this drawing or the subject matter thereof, unless by written agreement with or written permission from the corporation.

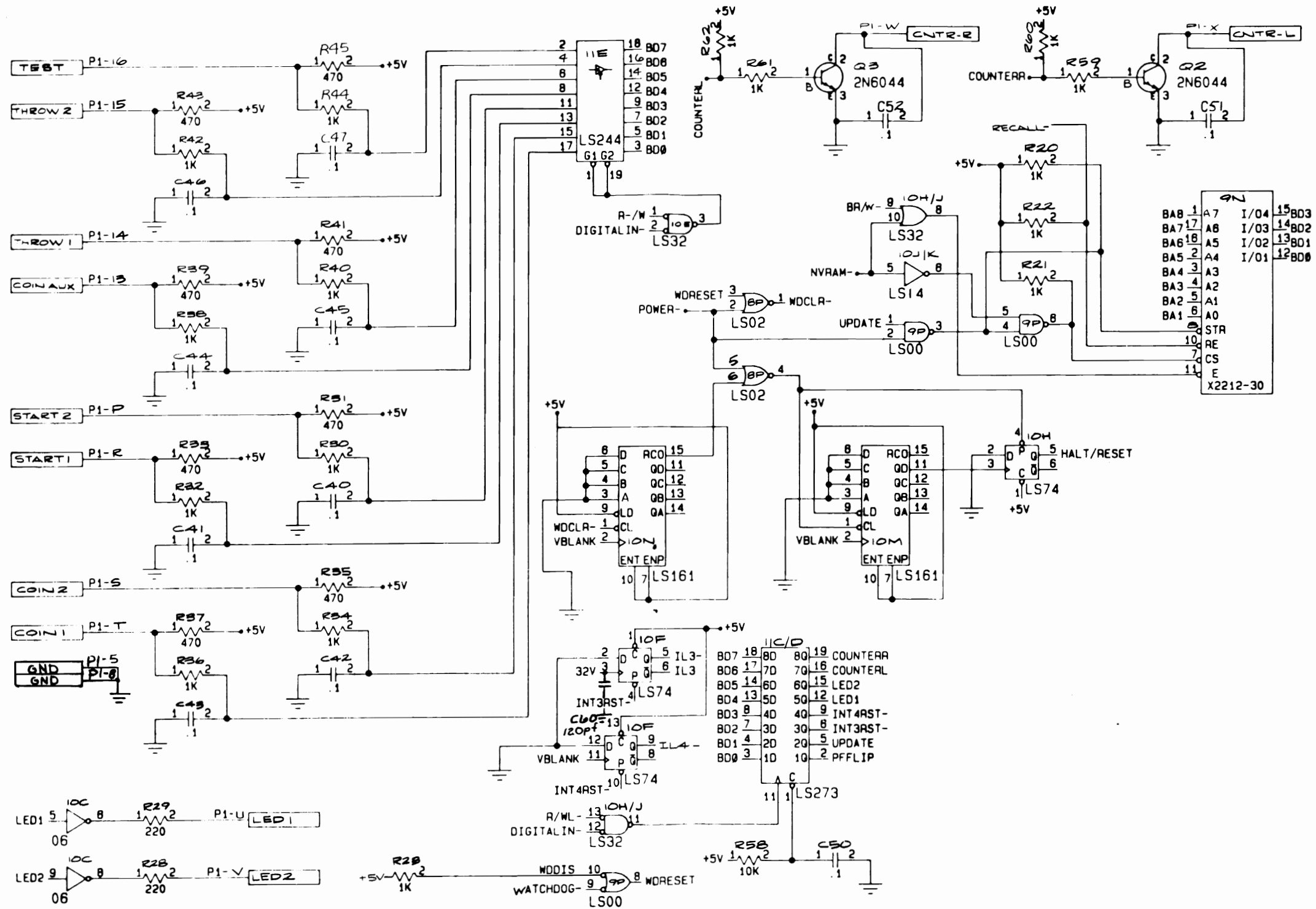
**Food Fight Power/Ground and CPU Schematic Diagram**

**ATARI**  
 A Warner Communications Company

© ATARI INC. 1983

SP-229 Sheet 4B  
 2nd printing





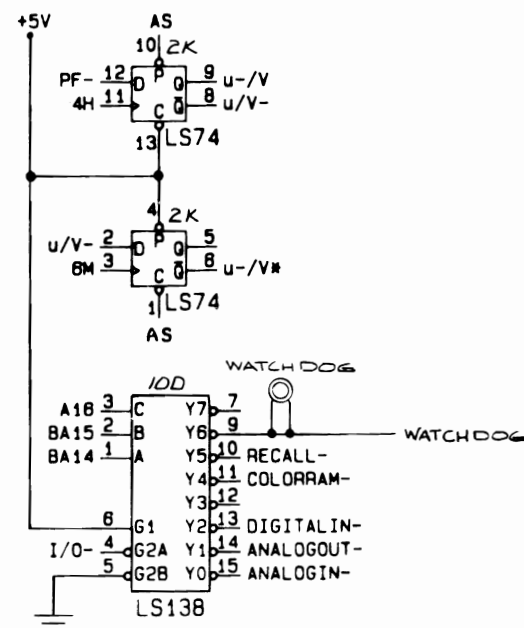
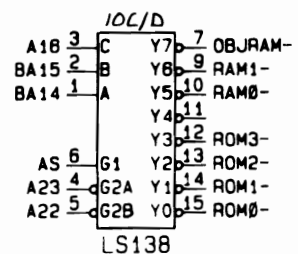
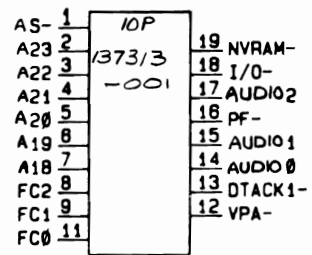
**NOTICE TO ALL PERSONS RECEIVING THIS DRAWING**  
 CONFIDENTIAL - Reproduction forbidden without the specific written permission of Atari, Inc., Sunnyvale, CA. This drawing is only conditionally issued, and neither receipt nor possession thereof confers or transfers any right in, or license to use, the subject matter of the drawing or any design or technical information shown thereon, nor any right to reproduce this drawing or any part thereof. Except for manufacture by vendors of Atari, Inc., and for manufacture under the corporation's written license, no right is granted to reproduce this drawing or the subject matter thereof, unless by written agreement with or written permission from the corporation.

### Food Fight Reset and Digital I/O Schematic Diagram



ATARI INC. 1983

SP-229 Sheet 5A  
2nd printing



**NOTICE TO ALL PERSONS RECEIVING THIS DRAWING**

CONFIDENTIAL - Reproduction forbidden without the specific written permission of Atari, Inc., Sunnyvale, CA. This drawing is only conditionally issued, and neither receipt nor possession thereof confers or transfers any right in, or license to use, the subject matter of the drawing or any design or technical information shown thereon, nor any right to reproduce this drawing or any part thereof. Except for manufacture by vendors of Atari, Inc., and for manufacture under the corporation's written license, no right is granted to reproduce this drawing or the subject matter thereof, unless by written agreement with or written permission from the corporation.

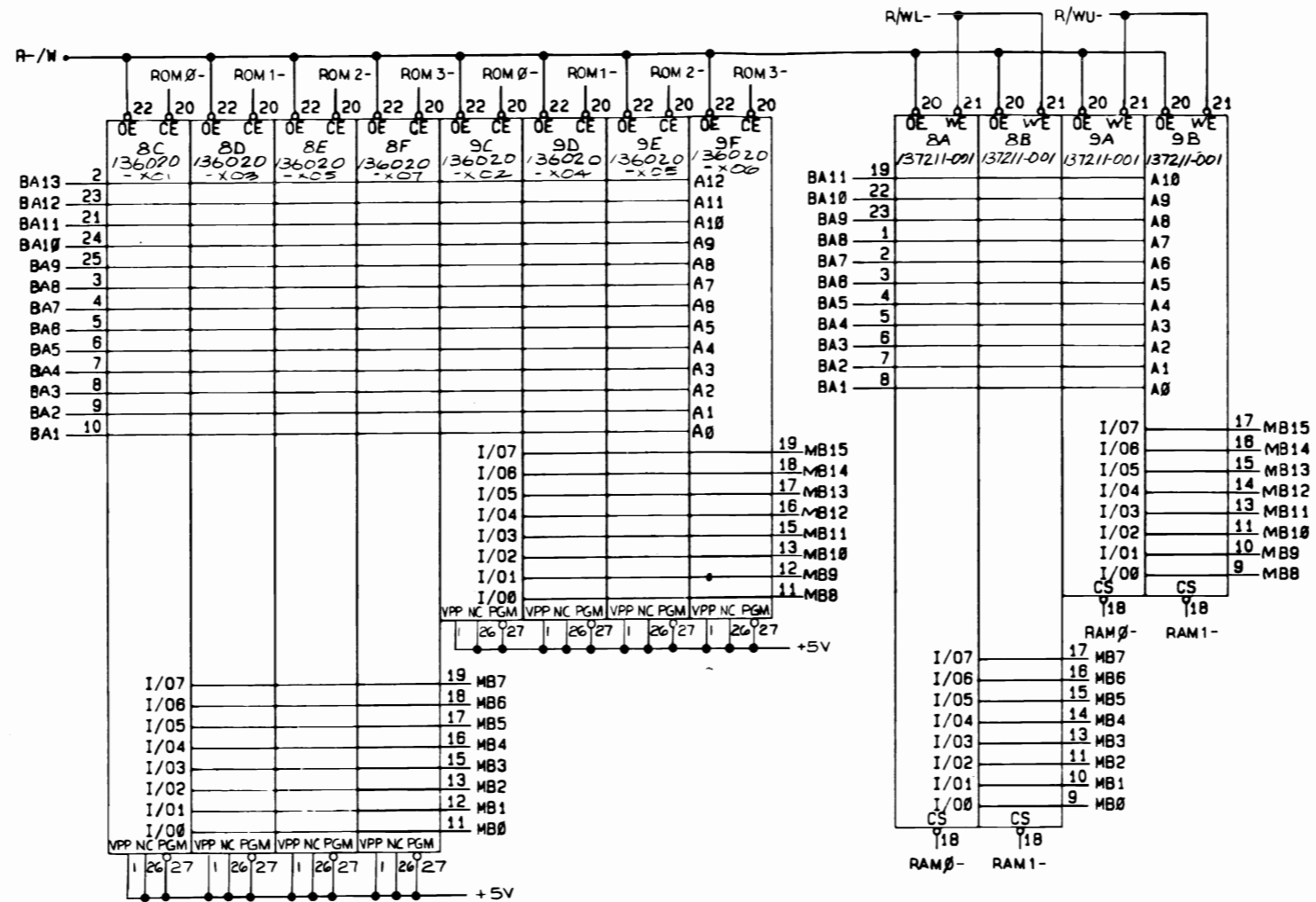
**Food Fight Address Decoder Schematic Diagram**



A Warner Communications Company

© ATARI INC., 1983

SP-229 Sheet 5B  
2nd printing



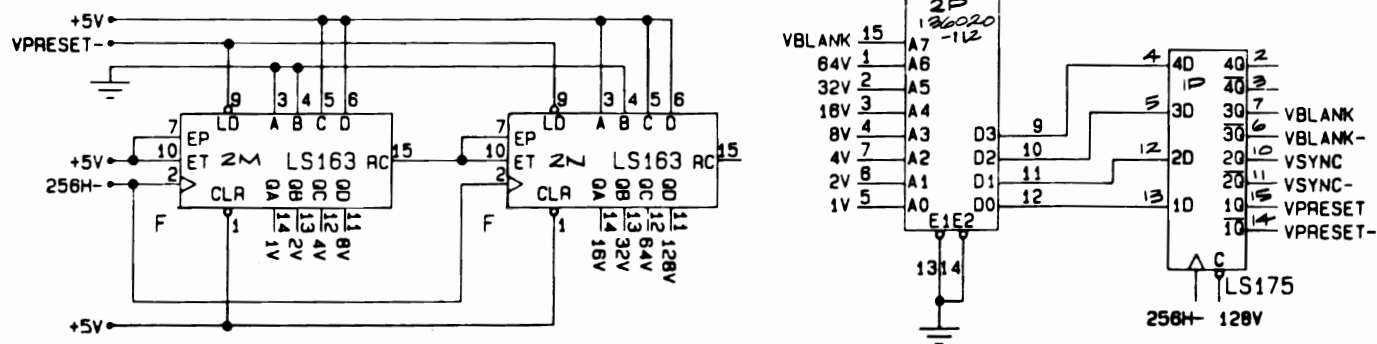
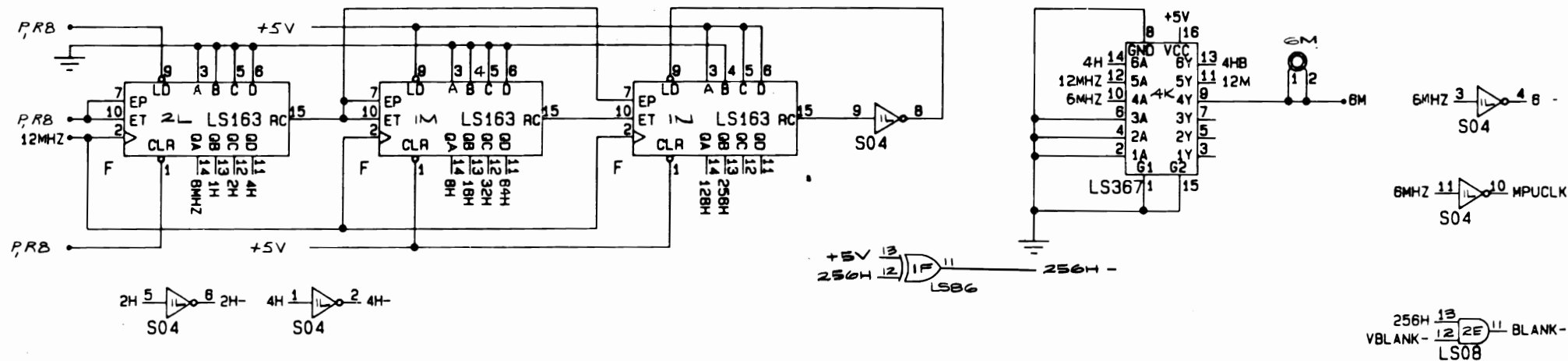
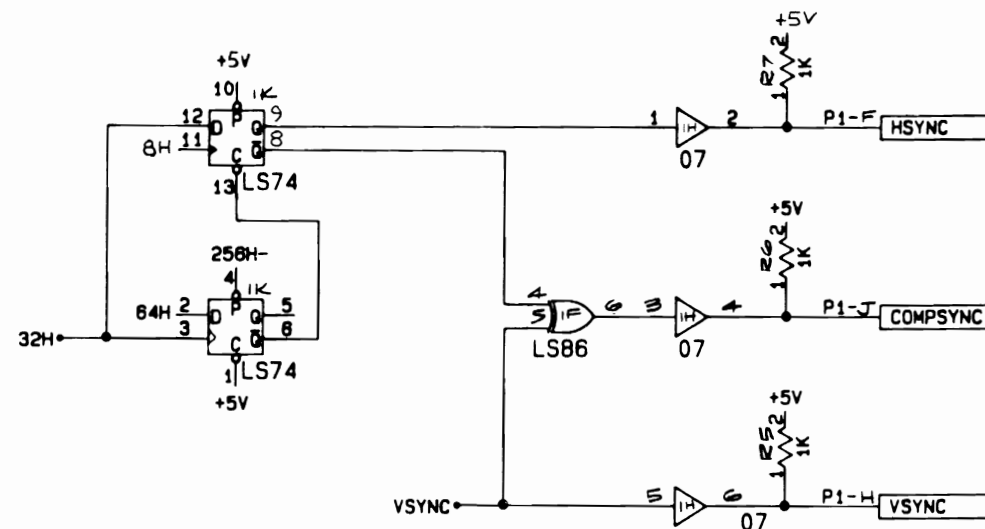
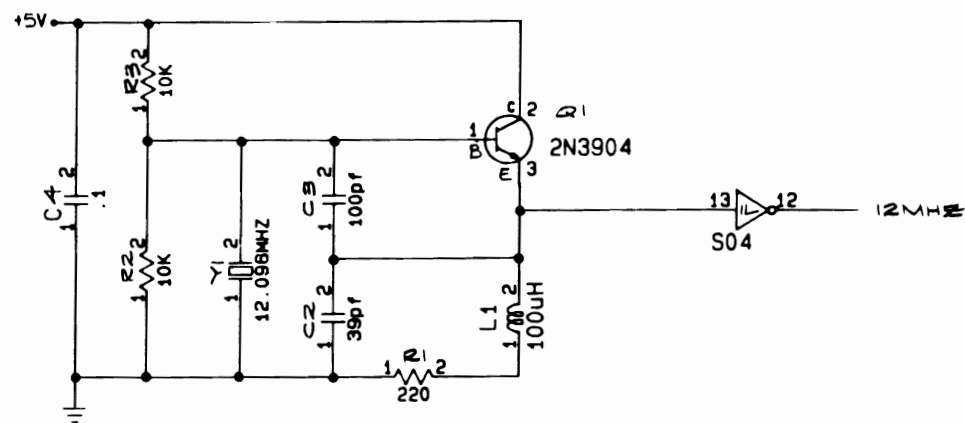
**NOTICE TO ALL PERSONS RECEIVING THIS DRAWING**  
 CONFIDENTIAL. Reproduction forbidden without the specific written permission of Atari, Inc., Sunnyvale, CA. This drawing is only conditionally issued, and neither receipt nor possession thereof confers or transfers any right in, or license to use, the subject matter of the drawing or any design or technical information shown thereon, nor any right to reproduce this drawing or any part thereof. Except for manufacture by vendors of Atari, Inc., and for manufacture under the corporation's written license, no right is granted to reproduce this drawing or the subject matter thereof, unless by written agreement with or written permission from the corporation.

### Food Fight Memory Schematic Diagram



© ATARI INC. 1983

SP-229 Sheet 6A  
 2nd printing



**NOTICE TO ALL PERSONS RECEIVING THIS DRAWING**  
 CONFIDENTIAL: Reproduction forbidden without the specific written permission of Atari, Inc., Sunnyvale, CA. This drawing is only conditionally issued, and neither receipt nor possession thereof confers or transfers any right in, or license to use, the subject matter of the drawing or any design or technical information shown thereon, nor any right to reproduce this drawing or any part thereof. Except for manufacture by vendors of Atari, Inc., and for manufacture under the corporation's written license, no right is granted to reproduce this drawing or the subject matter thereof, unless by written agreement with or written permission from the corporation.

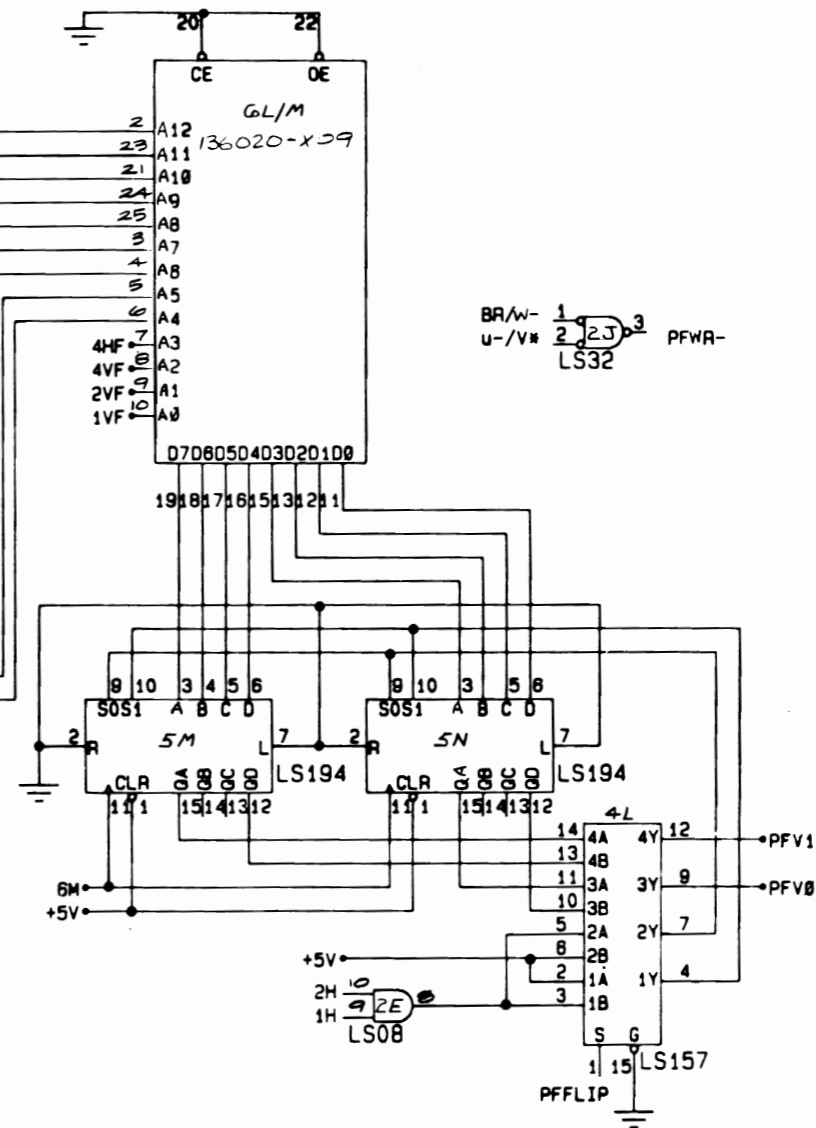
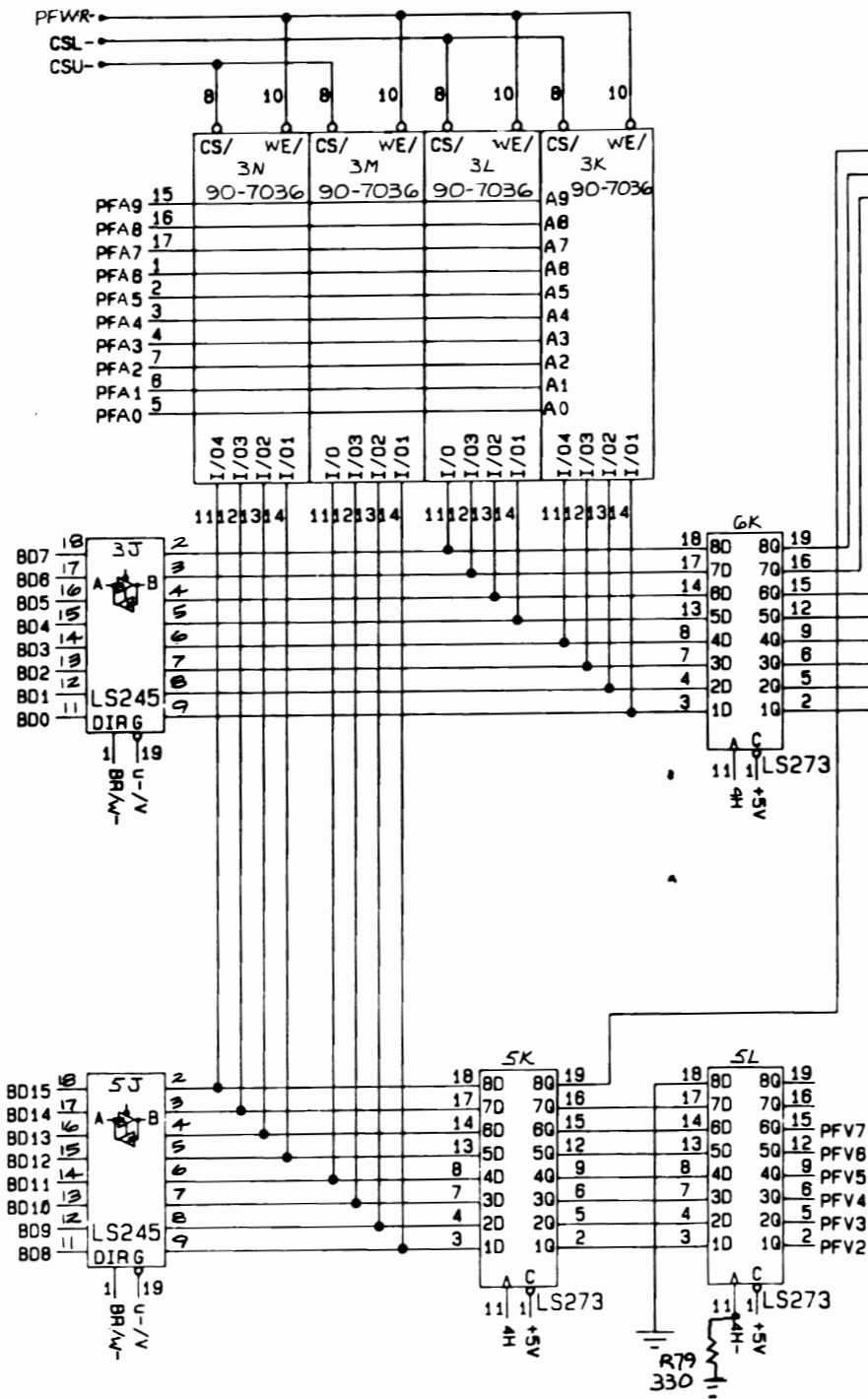
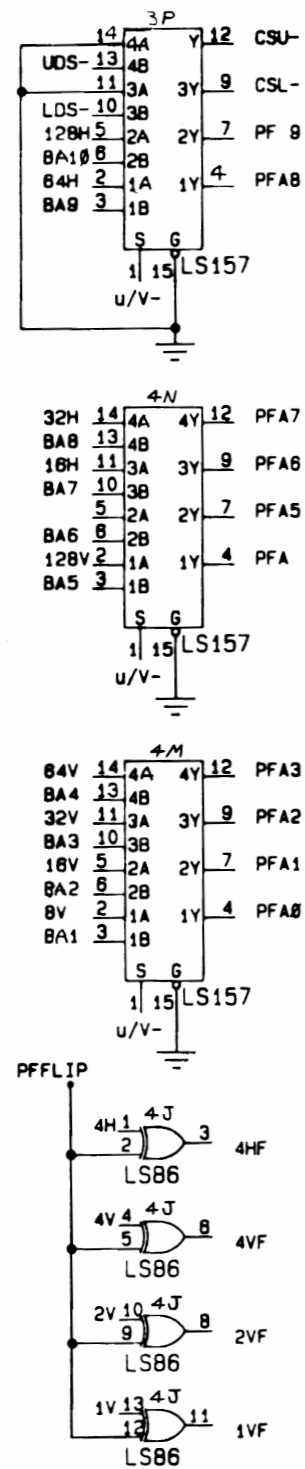
### Food Fight Sync Schematic Diagram



A Warner Communications Company

© ATARI INC. 1983

SP-229 Sheet 6B  
 2nd printing



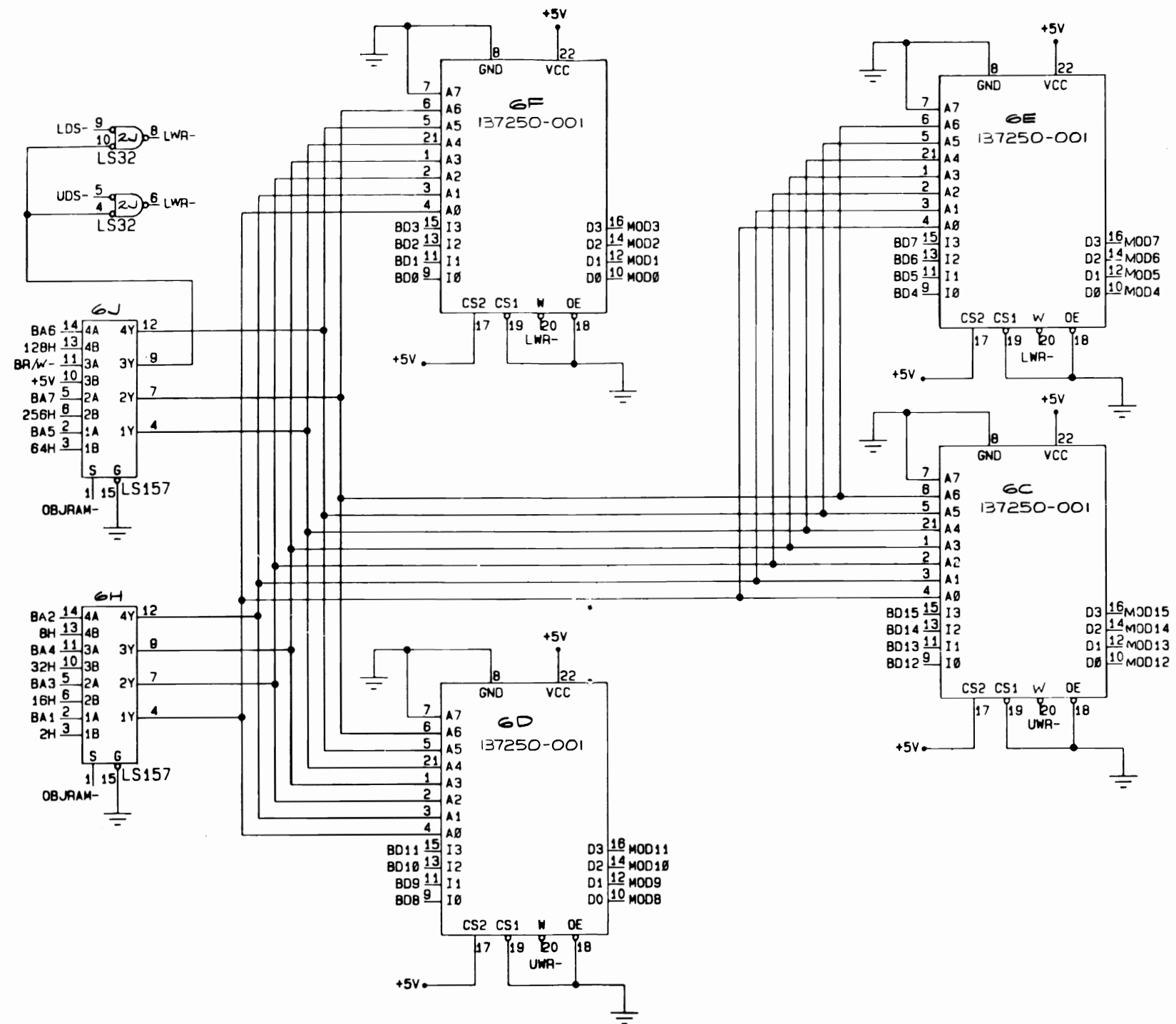
**NOTICE TO ALL PERSONS RECEIVING THIS DRAWING**  
 CONFIDENTIAL. Reproduction forbidden without the specific written permission of Atari, Inc., Sunnyvale, CA. This drawing is only conditionally issued, and neither receipt nor possession thereof confers or transfers any right in, or license to use, the subject matter of the drawing or any design or technical information shown thereon, nor any right to reproduce this drawing or any part thereof. Except for manufacture by vendors of Atari, Inc., and for manufacture under the corporation's written license, no right is granted to reproduce this drawing or the subject matter thereof, unless by written agreement with or written permission from the corporation.

### Food Fight Playfield RAM/ROM Schematic Diagram



© ATARI INC. 1983

SP-229 Sheet 7A  
 2nd printing



**NOTICE TO ALL PERSONS RECEIVING THIS DRAWING**  
 CONFIDENTIAL. Reproduction forbidden without the specific written permission of Atari, Inc., Sunnyvale, CA. This drawing is only conditionally issued, and neither receipt nor possession thereof confers or transfers any right in, or license to use, the subject matter of the drawing or any design or technical information shown thereon, nor any right to reproduce this drawing or any part thereof. Except for manufacture by vendors of Atari, Inc., and for manufacture under the corporation's written license, no right is granted to reproduce this drawing or the subject matter thereof, unless by written agreement with or written permission from the corporation.

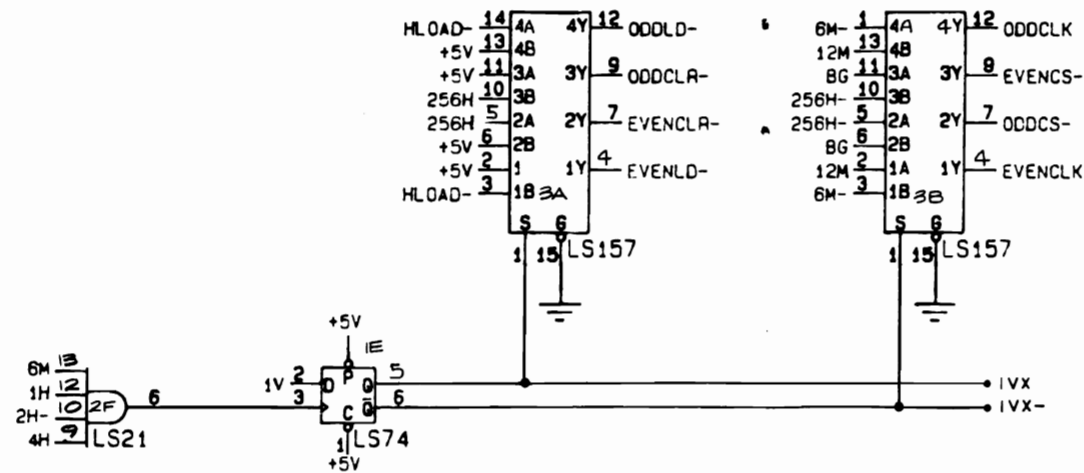
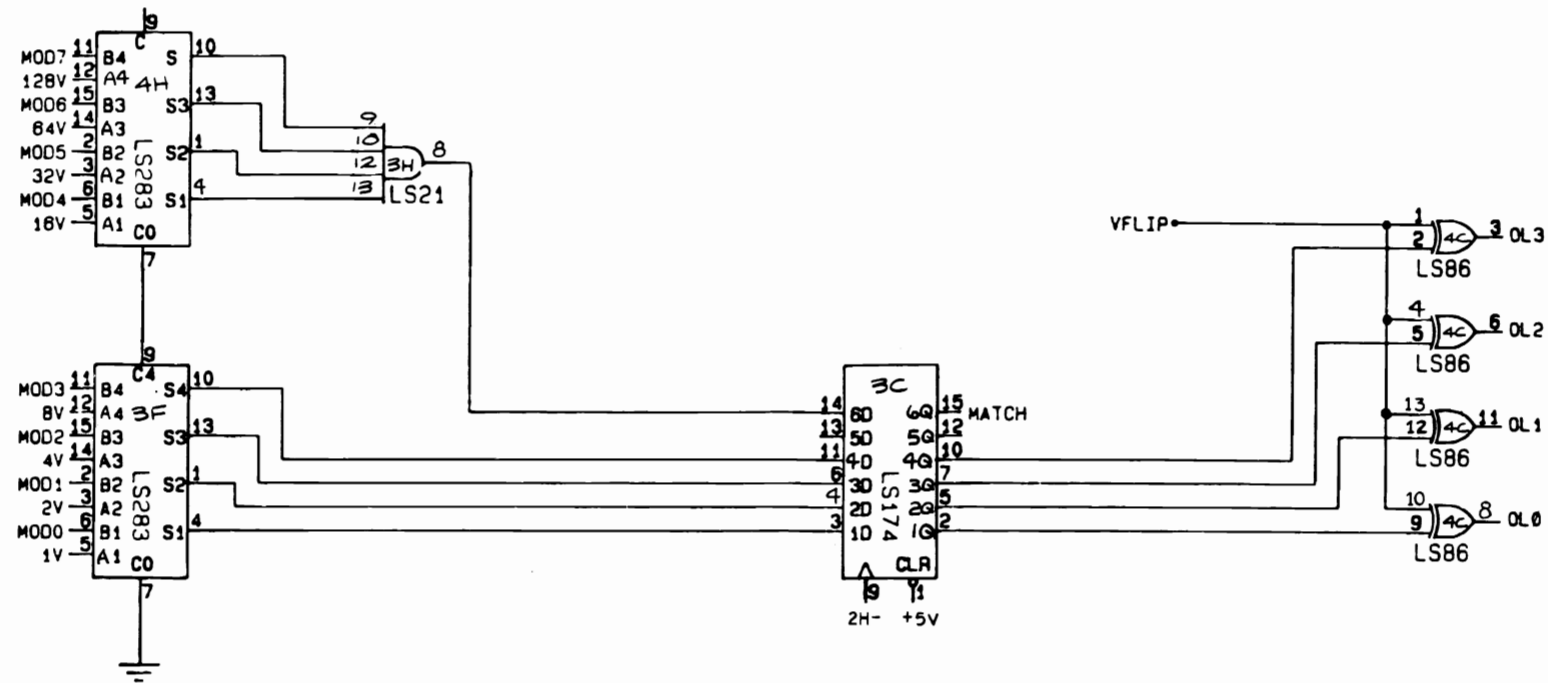
**Food Fight Motion Object RAM Schematic Diagram**



© ATARI INC. 1983

SP-229 Sheet 7B  
 2nd printing

A Warner Communications Company



**NOTICE TO ALL PERSONS RECEIVING THIS DRAWING**  
 CONFIDENTIAL: Reproduction forbidden without the specific written permission of Atari, Inc., Sunnyvale, CA. This drawing is only conditionally issued, and neither receipt nor possession thereof confers or transfers any right in, or license to use, the subject matter of the drawing or any design or technical information shown thereon, nor any right to reproduce this drawing or any part thereof. Except for manufacture by vendors of Atari, Inc., and for manufacture under the corporation's written license, no right is granted to reproduce this drawing or the subject matter thereof, unless by written agreement with or written permission from the corporation.

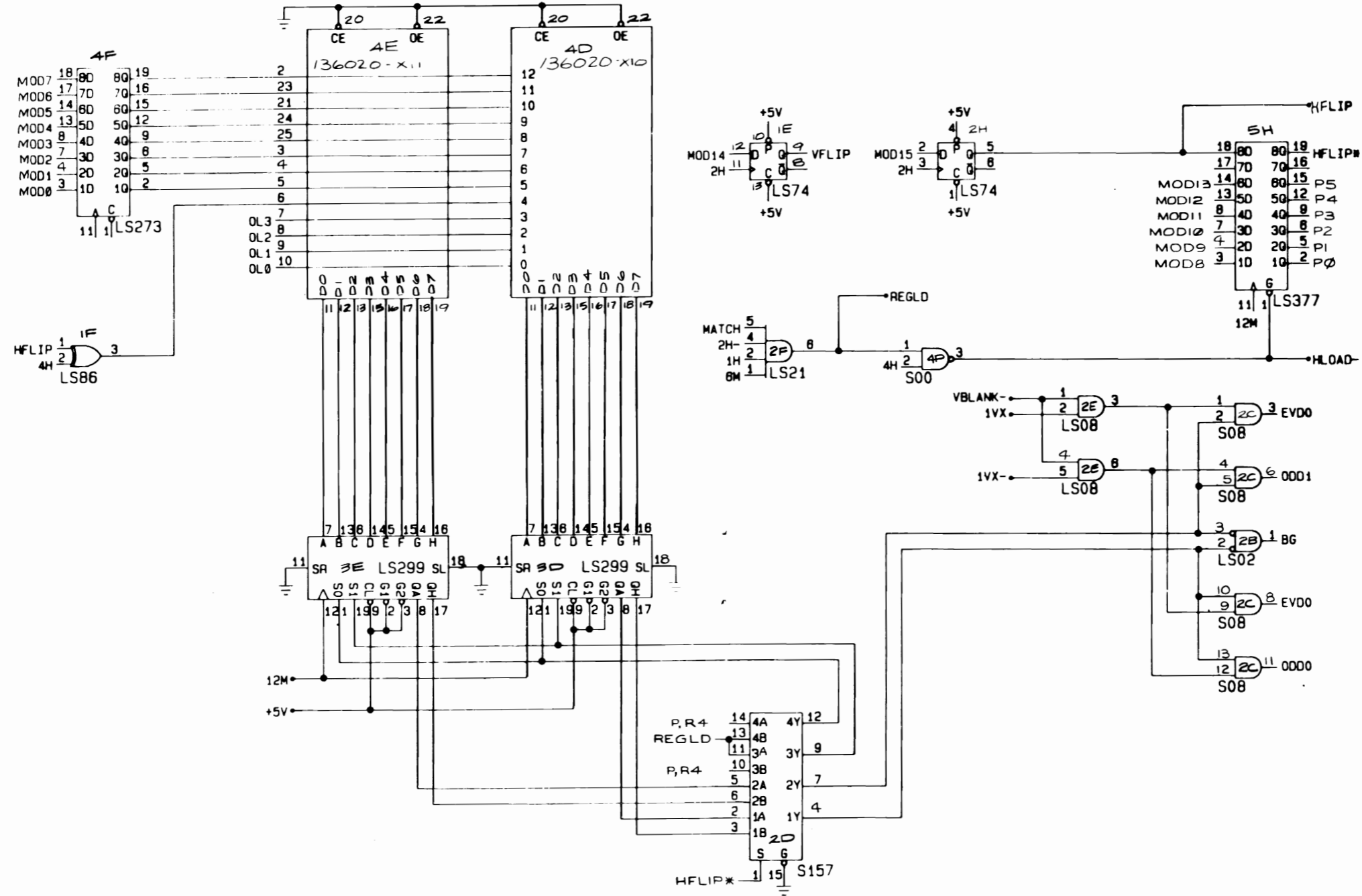
### Food Fight Vertical Position Schematic Diagram



A Warner Communications Company

© ATARI INC. 1983

SP-229 Sheet 8A  
 2nd printing



**NOTICE TO ALL PERSONS RECEIVING THIS DRAWING**  
 CONFIDENTIAL. Reproduction forbidden without the specific written permission of Atari, Inc., Sunnyvale, CA. This drawing is only conditionally issued, and neither receipt nor possession thereof confers or transfers any right in, or license to use, the subject matter of the drawing or any design or technical information shown thereon, nor any right to reproduce this drawing or any part thereof, except for manufacture by vendors of Atari, Inc., and for manufacture under the corporation's written license; no right is granted to reproduce this drawing or the subject matter thereof, unless by written agreement with or written permission from the corporation.

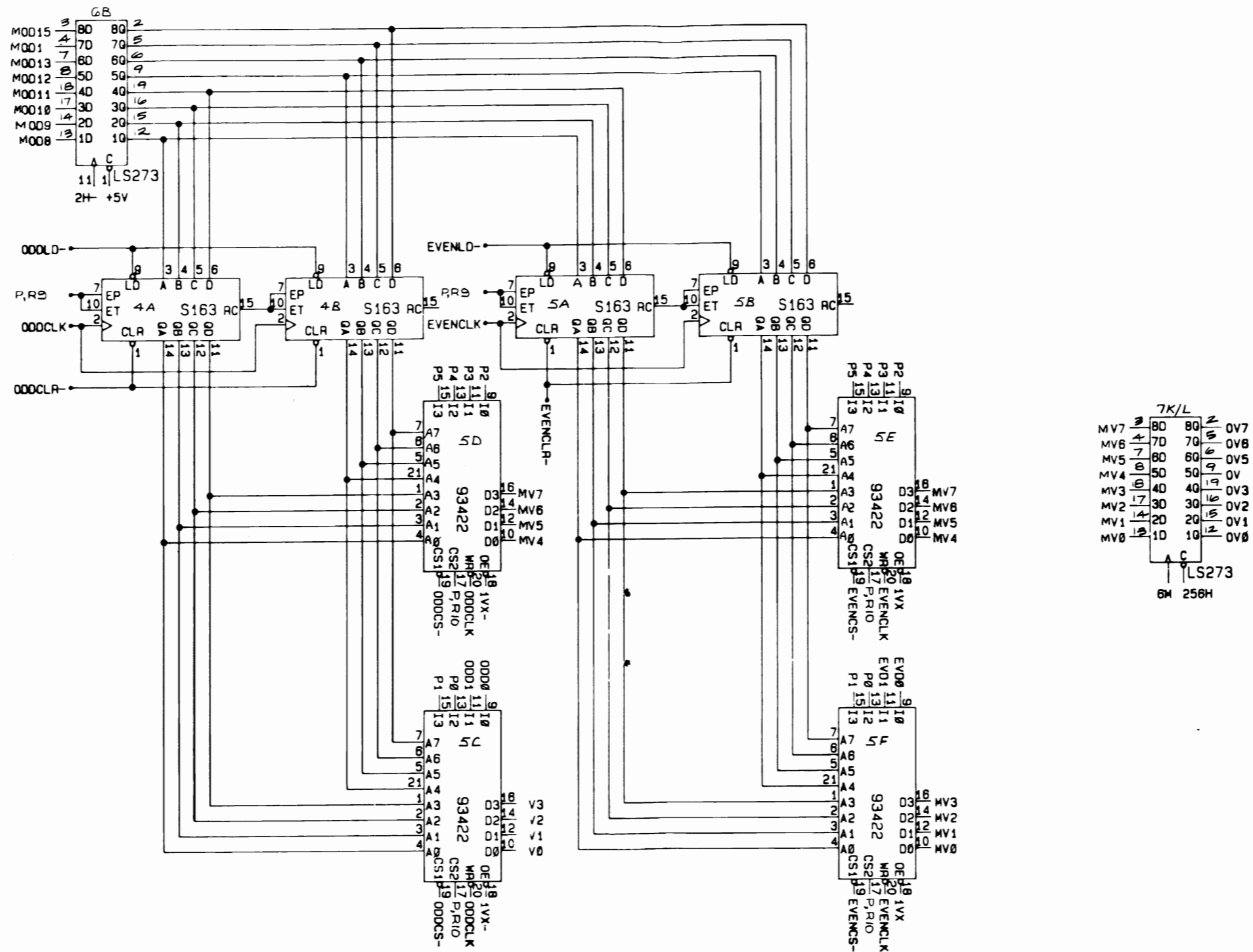
**Food Fight Motion-Object ROM Schematic Diagram**



© ATARI INC. 1983

SP-229 Sheet 8B  
 2nd printing





**NOTICE TO ALL PERSONS RECEIVING THIS DRAWING**  
 CONFIDENTIAL. Reproduction forbidden without the specific written permission of Atari, Inc., Sunnyvale, CA. This drawing is only conditionally issued, and neither receipt nor possession thereof confers or transfers any right in, or license to use, the subject matter of the drawing or any design or technical information shown thereon, nor any right to reproduce this drawing or any part thereof. Except for manufacture by vendors of Atari, Inc., and for manufacture under the corporation's written license, no right is granted to reproduce this drawing or the subject matter thereof, unless by written agreement with or written permission from the corporation.

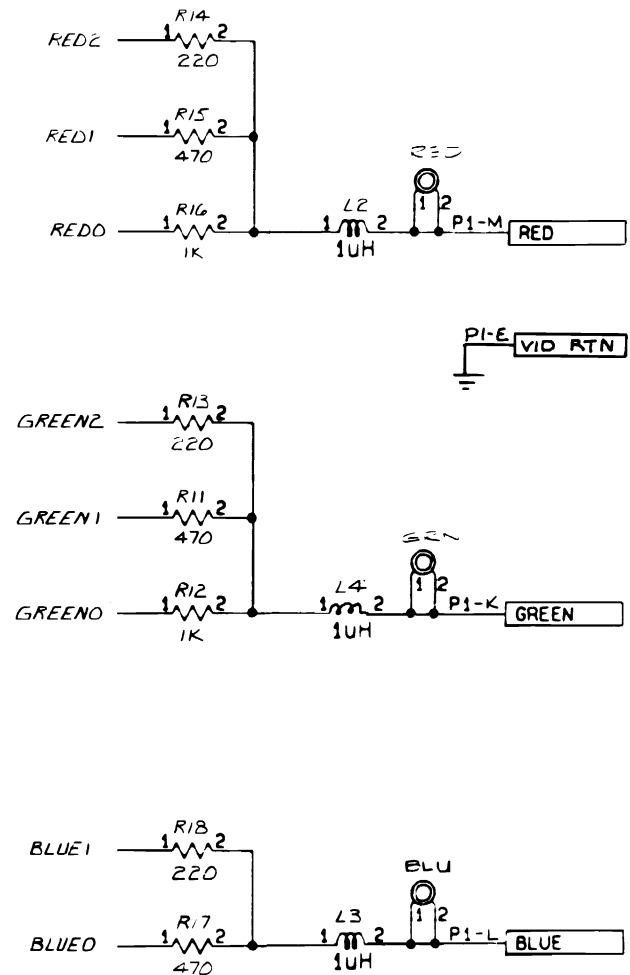
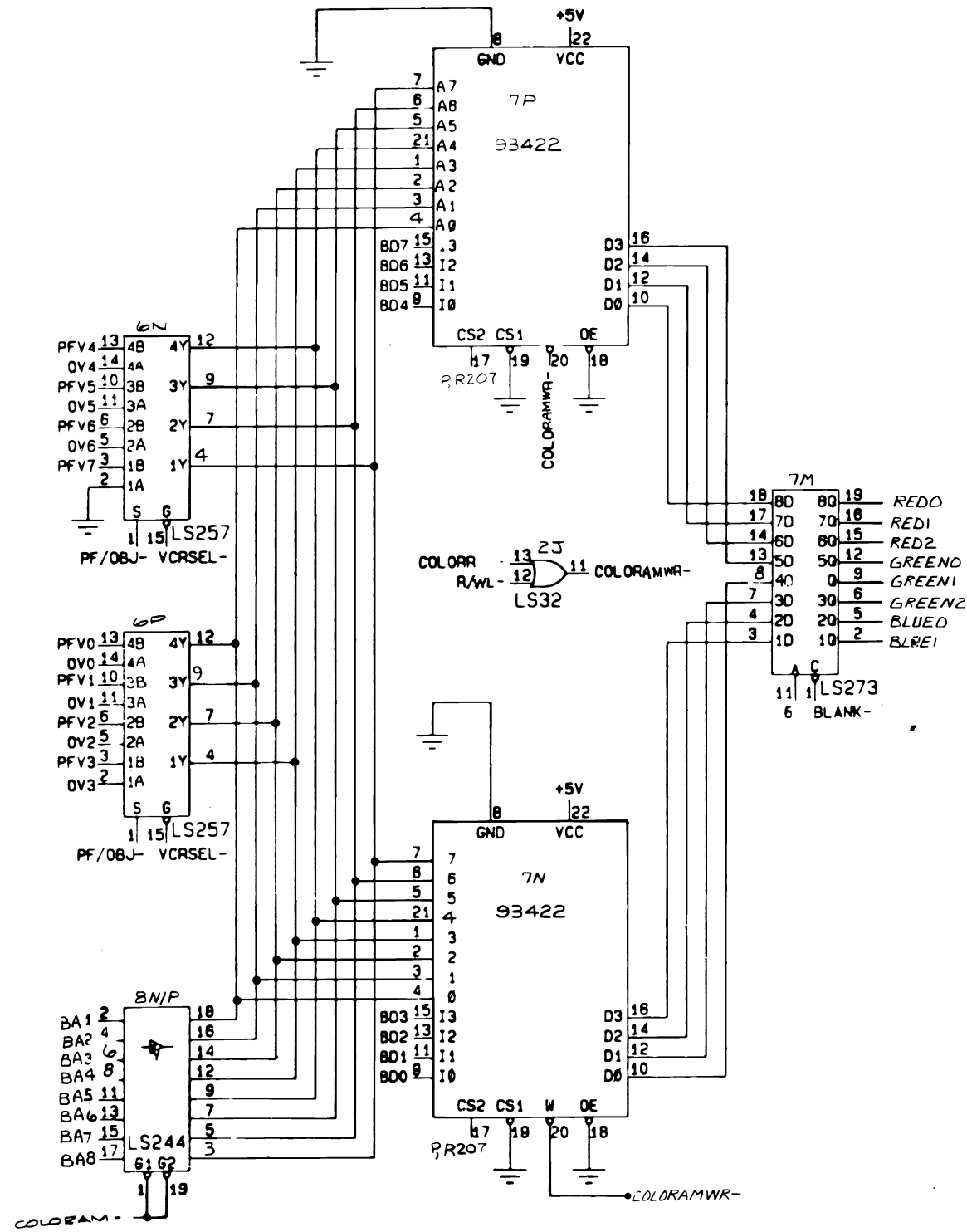
**Food Fight Line Buffers Schematic Diagram**



© ATARI INC. 1983

SP-229 Sheet 9A  
 2nd printing

A Warner Communications Company

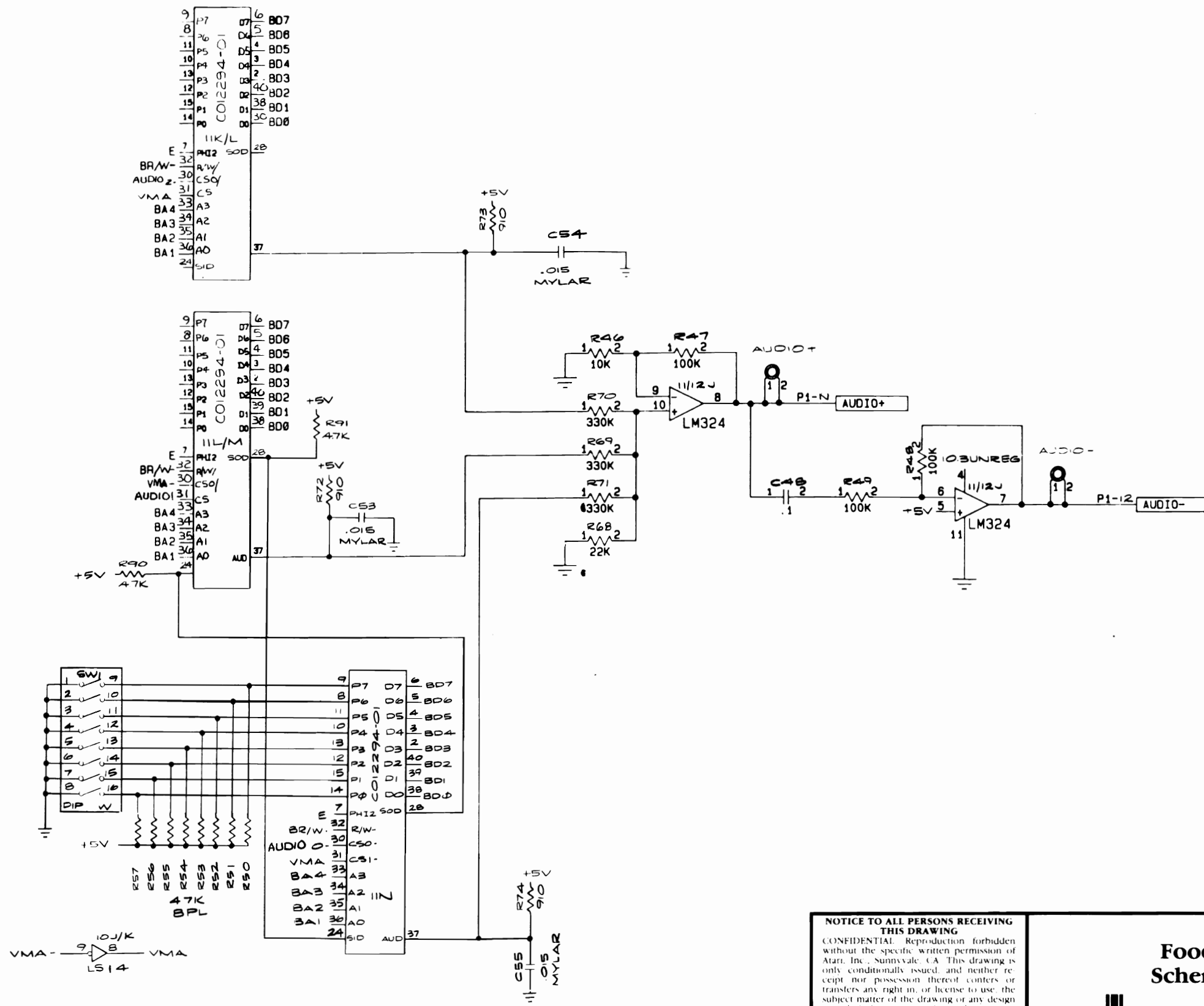


**NOTICE TO ALL PERSONS RECEIVING THIS DRAWING**  
 CONFIDENTIAL. Reproduction forbidden without the specific written permission of Atari, Inc., Sunnyvale, CA. This drawing is only conditionally issued, and neither receipt nor possession thereof confers or transfers any right in, or license to use, the subject matter of the drawing or any design or technical information shown thereon, nor any right to reproduce this drawing or any part thereof. Except for manufacture by vendors of Atari, Inc., and for manufacture under the corporation's written license, no right is granted to reproduce this drawing or the subject matter thereof, unless by written agreement with or written permission from the corporation.

**Food Fight Color RAM Schematic Diagram**

© ATARI INC. 1983

SP-229 Sheet 9B  
2nd printing



**NOTICE TO ALL PERSONS RECEIVING THIS DRAWING**  
 CONFIDENTIAL. Reproduction forbidden without the specific written permission of Atari, Inc., Sunnyvale, CA. This drawing is only conditionally issued, and neither receipt nor possession thereof confers or transfers any right in, or license to use, the subject matter of the drawing or any design or technical information shown thereon, nor any right to reproduce this drawing or any part thereof. Except for manufacture by vendors of Atari, Inc., and for manufacture under the corporation's written license, no right is granted to reproduce this drawing or the subject matter thereof, unless by written agreement with or written permission from the corporation.

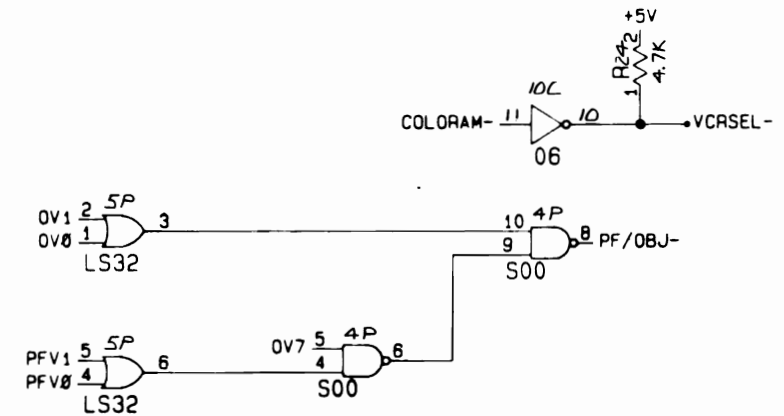
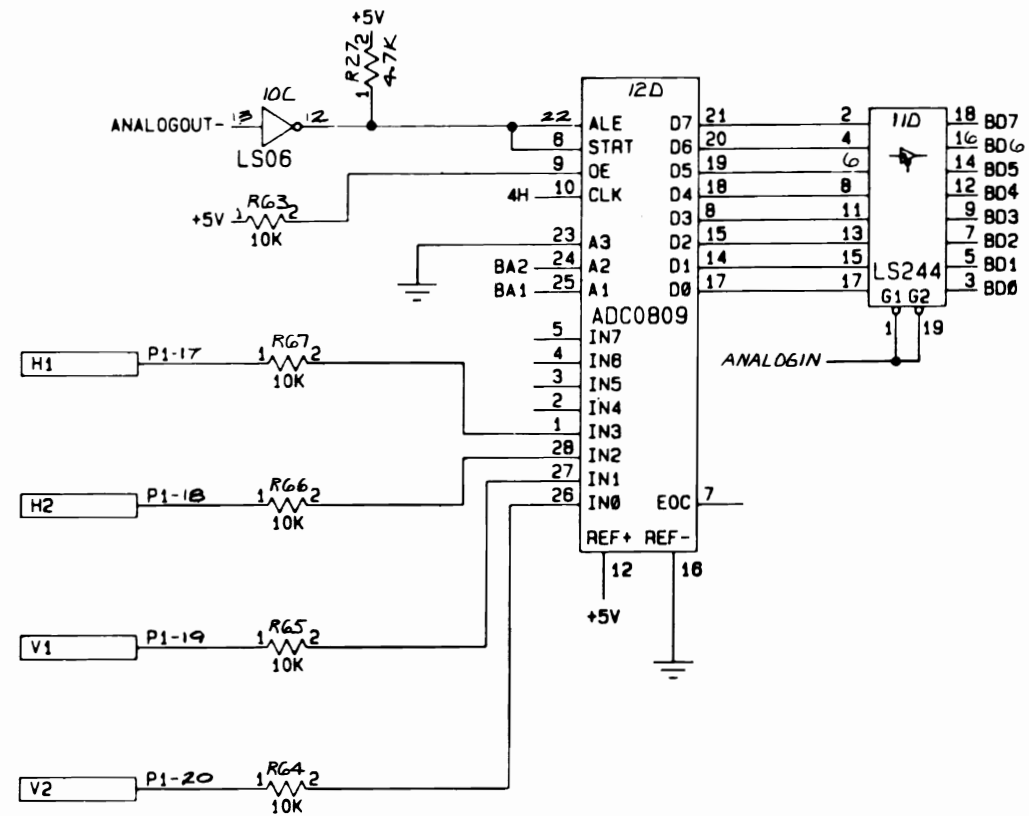
**Food Fight Sound Schematic Diagram**



© ATARI INC. 1983

SP-229 Sheet 10A  
2nd printing

A Warner Communications Company



**NOTICE TO ALL PERSONS RECEIVING THIS DRAWING**  
 CONFIDENTIAL - Reproduction forbidden without the specific written permission of Atari, Inc., Sunnyvale, CA. This drawing is only conditionally issued, and neither receipt nor possession thereof confers or transfers any right in, or license to use, the subject matter of the drawing or any design or technical information shown thereon, nor any right to reproduce this drawing or any part thereof. Except for manufacture by vendors of Atari, Inc., and for manufacture under the corporation's written license, no right is granted to reproduce this drawing or the subject matter thereof, unless by written agreement with or written permission from the corporation.

### Food Fight Analog Inputs Schematic Diagram



A Warner Communications Company

© ATARI INC. 1983

SP-229 Sheet 10B  
 2nd printing

**Schematic Notes**

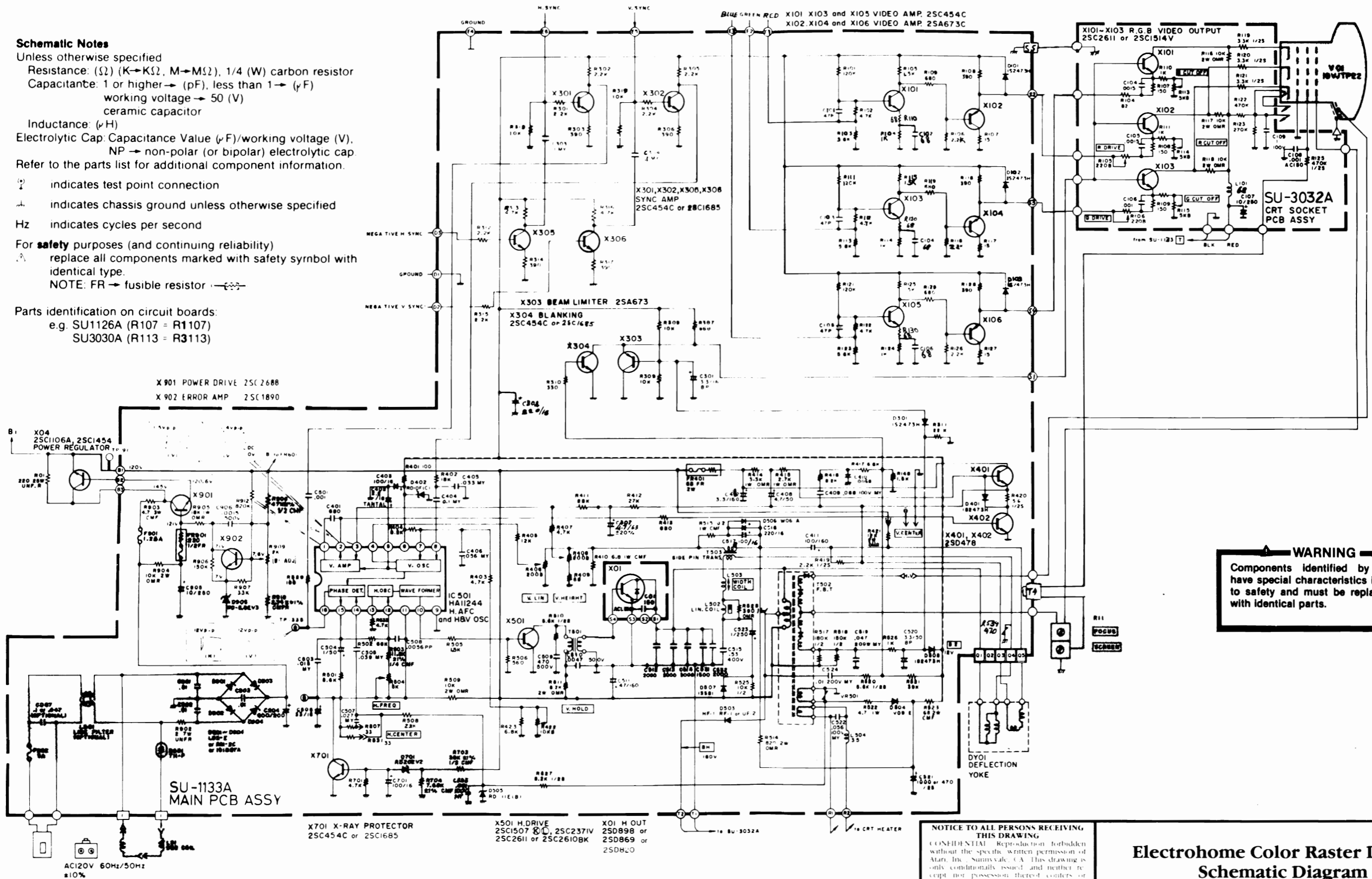
Unless otherwise specified  
 Resistance: (Ω) (K→KΩ, M→MΩ), 1/4 (W) carbon resistor  
 Capacitance: 1 or higher → (pF), less than 1 → (μF)  
 working voltage → 50 (V)  
 ceramic capacitor

Inductance: (μH)  
 Electrolytic Cap: Capacitance Value (μF)/working voltage (V),  
 NP → non-polar (or bipolar) electrolytic cap  
 Refer to the parts list for additional component information.

⊕ indicates test point connection  
 ⊕ indicates chassis ground unless otherwise specified  
 Hz indicates cycles per second

For **safety** purposes (and continuing reliability)  
 replace all components marked with safety symbol with  
 identical type.  
 NOTE: FR → fusible resistor

Parts identification on circuit boards:  
 e.g. SU1126A (R107 = R1107)  
 SU3030A (R113 = R3113)



**WARNING**  
 Components identified by shading  
 have special characteristics important  
 to safety and must be replaced only  
 with identical parts.

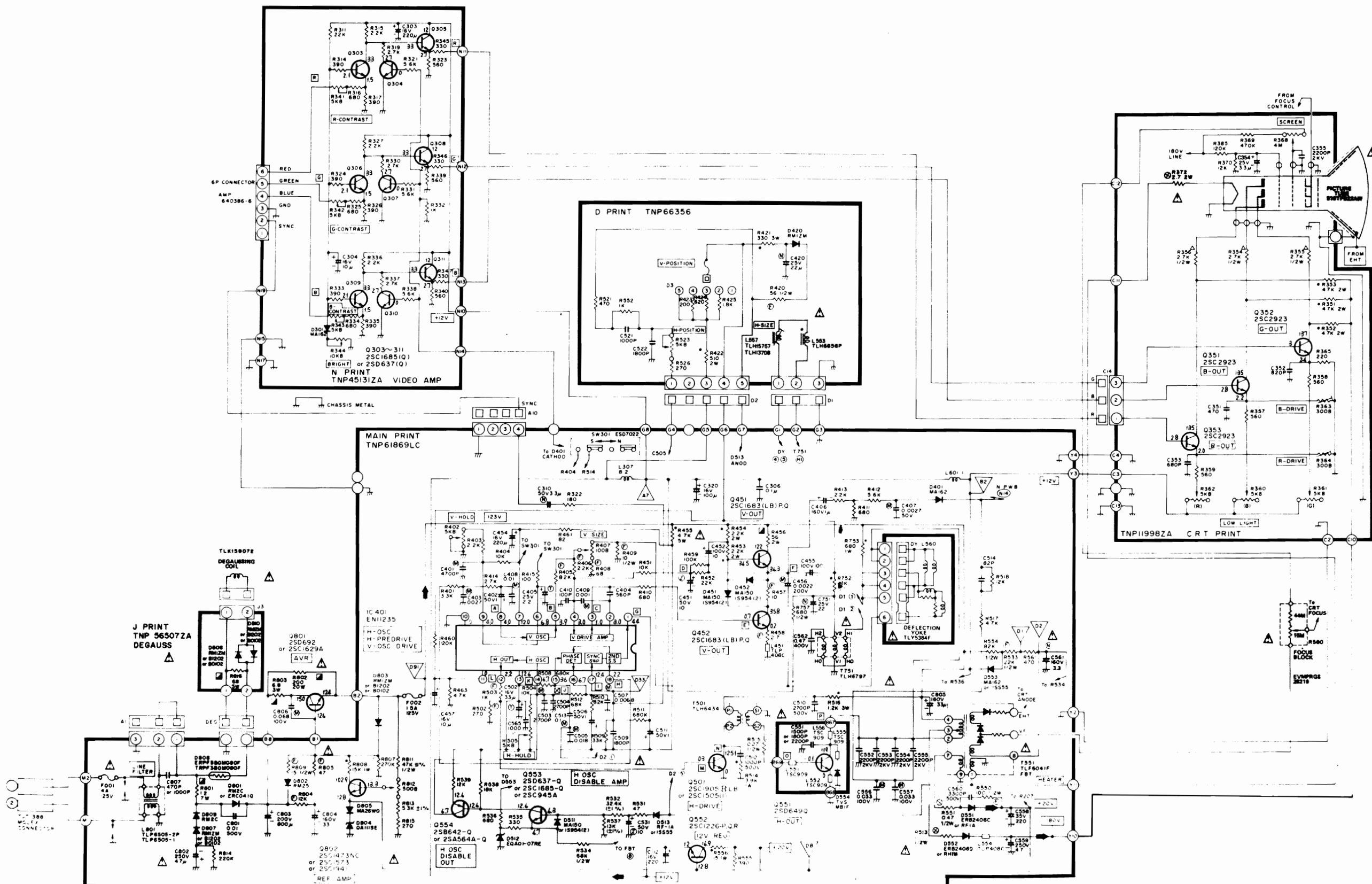
**NOTICE TO ALL PERSONS RECEIVING THIS DRAWING**  
 CONFIDENTIAL: Reproduction forbidden without the specific written permission of Atari, Inc., Sunnyvale, CA. This drawing is only conditionally issued and neither receipt nor possession thereof confers or transfers any right in or license to use the subject matter of the drawing or any design or technical information shown thereon, nor any right to reproduce this drawing or any part thereof. Except for manufacture by vendors of Atari, Inc., and for manufacture under the corporation's written license, no right is granted to reproduce this drawing or the subject matter thereof, unless by written agreement with or written permission from the corporation.

**Electrohome Color Raster Display Schematic Diagram**

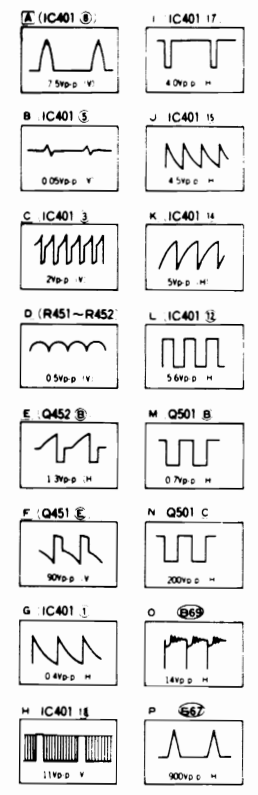
ATARI

SP-229 Sheet 11A  
 2nd printing

ATARI INC. 1983



**Waveform**



**NOTE**

- RESISTOR**  
All resistors are carbon film resistors unless otherwise noted. The following are:  
  - Wire Wound
  - Solder
  - △ Non-Flammable
  - ◇ Cement
- CAPACITOR**  
All capacitors are ceramic 50% leak test unless otherwise noted. The following are:  
  - Electronic
  - Paper
  - △ Tantalum
  - ◇ Polyester
  - ◇ Temp. Compensator
  - ◇ Polyester
- COIL**  
Units of inductance in μH
- TEST POINT**  
T Test point location

**WARNING**

Components identified by shading have special characteristics important to safety and must be replaced only with identical parts.

**NOTICE TO ALL PERSONS RECEIVING THIS DRAWING**

CONFIDENTIAL - Reproduction forbidden without the specific written permission of Atari, Inc. Summary: A. This drawing is only conditionally issued, and neither receipt nor possession thereof confers or transfers any right in, or license to use, the subject matter of the drawing or any design or technical information shown thereon, nor any right to reproduce this drawing or any part thereof. Except for manufacture by vendors of Atari, Inc. and for manufacture under the corporation's written license, no right is granted to reproduce this drawing or the subject matter thereof, unless by written agreement with or written permission from the corporation.

**Matsushita Color Raster Display Schematic Diagram**

ATARI

SP-229 Sheet 11B  
2nd printing

ATARI, INC. 1985