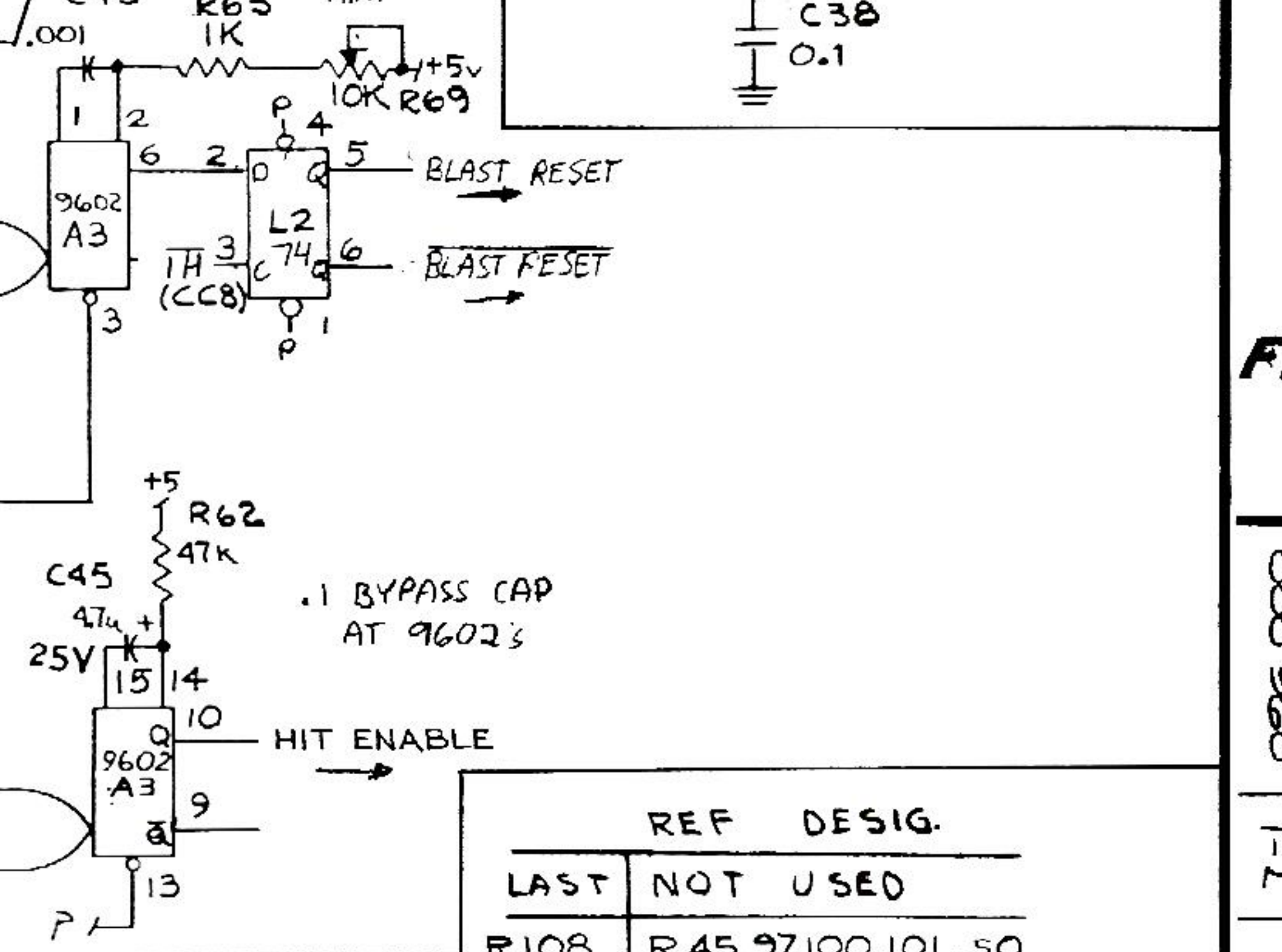
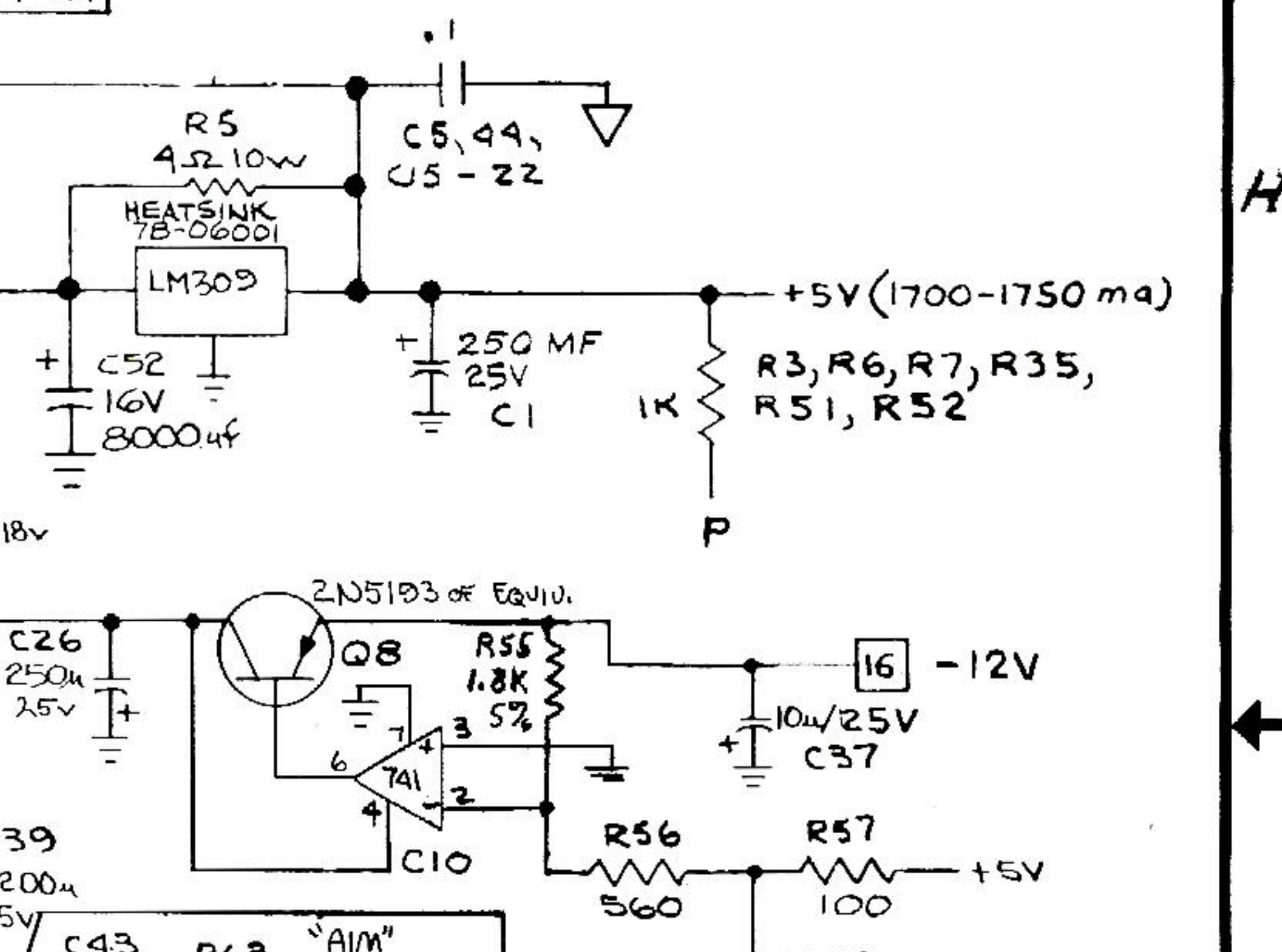
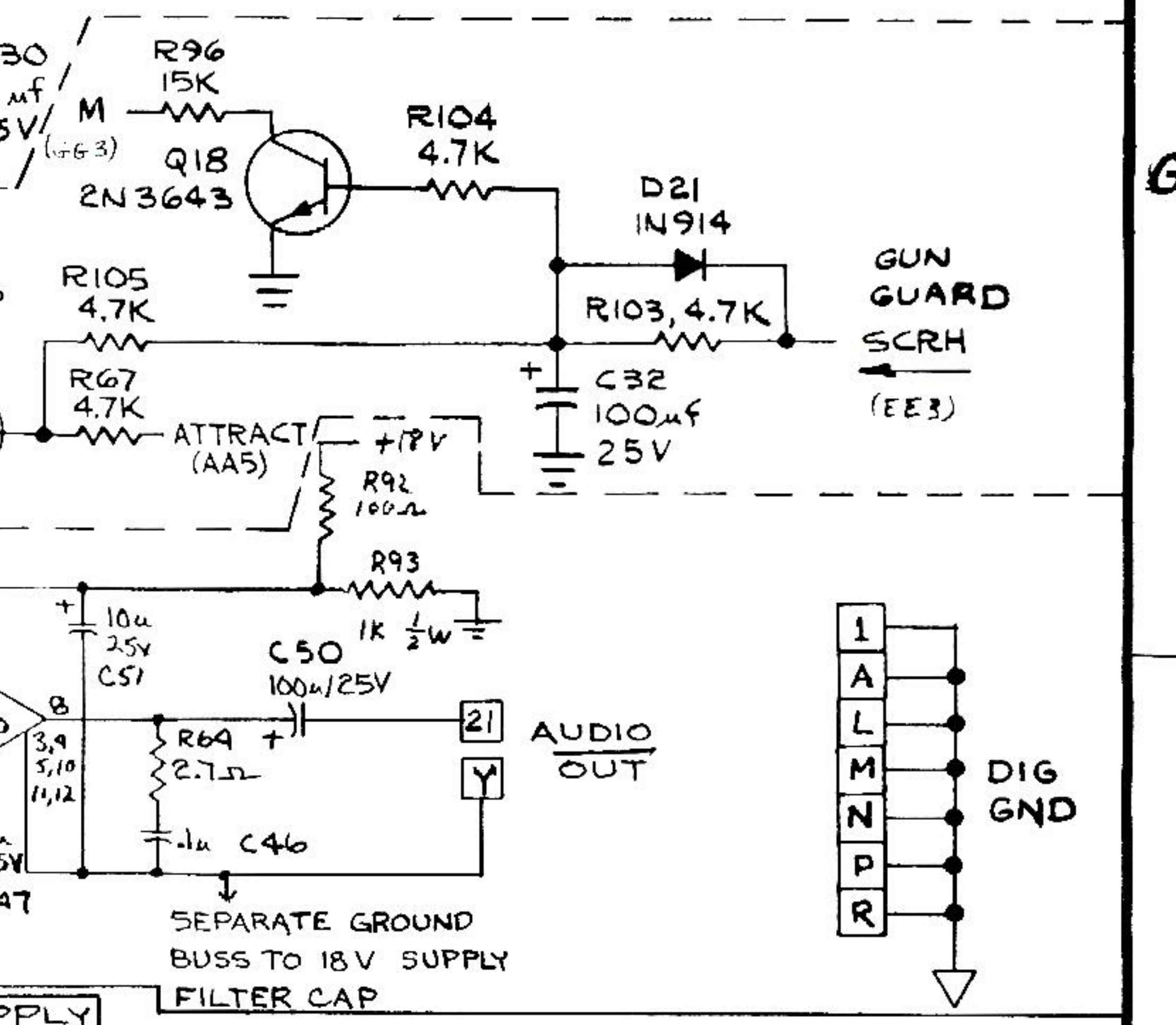


REVISIONS		
SYM	DESCRIPTION	INITIALS and DATE
D	PRODUCTION RELEASE	1/12/76



REF DESIG.	
LAST	NOT USED
R108	R 45, 97, 100, 101, 50
C54	C 36, 34, 41, 42, 10
D21	
Q18	
Y1	

EXTRA GATES	
04 - M1, M1, M1, B4	
00 - F7	
20 - N5	
86 - M5	
107 - F3	
14 - M8, M8	

INTERPRET THIS DRAWING PER LSASI 1145	DRAWN BY DATE 11-19-75
UNLESS OTHERWISE SPECIFIED DIMENSIONS ARE IN INCHES TOLERANCES ON:	CHECKED
FRACTIONS = ±.16 X = ±.1	DESIGN ENGINEER
ANGLES = ±1°	PROJECT ENGINEER 12/14/75
SURFACE FINISH = XXX = ±.03	DOCUMENT CONTROL
MATERIAL:	APPROVED 1-27-76

ATARI INCORPORATED 14600 Winchester Boulevard Los Gatos, California 95030	
TITLE SCHEMATIC DIAGRAM OUTLAW	
SIZE D	DRAWING NO. 003213
SCALE	SHEET 1 OF 2

NOTICE TO ALL PERSONS RECEIVING THIS DRAWING
CONFIDENTIAL. Reproduction Forbidden without the specific written permission of Atari Inc., Los Gatos, California. This drawing is only conditionally issued and neither receipt nor possession thereof confers or transfers any right in, or license to use, the subject matter of the drawing or any design or technical information shown thereon, nor any right to reproduce this drawing or any part thereof, except for manufacture by vendor for Atari Incorporated and for manufacture under the corporation's written license, no right to reproduce this drawing is granted or the subject matter thereof unless by written agreement with or written permission from the corporation.

GG

GG

HH

HH

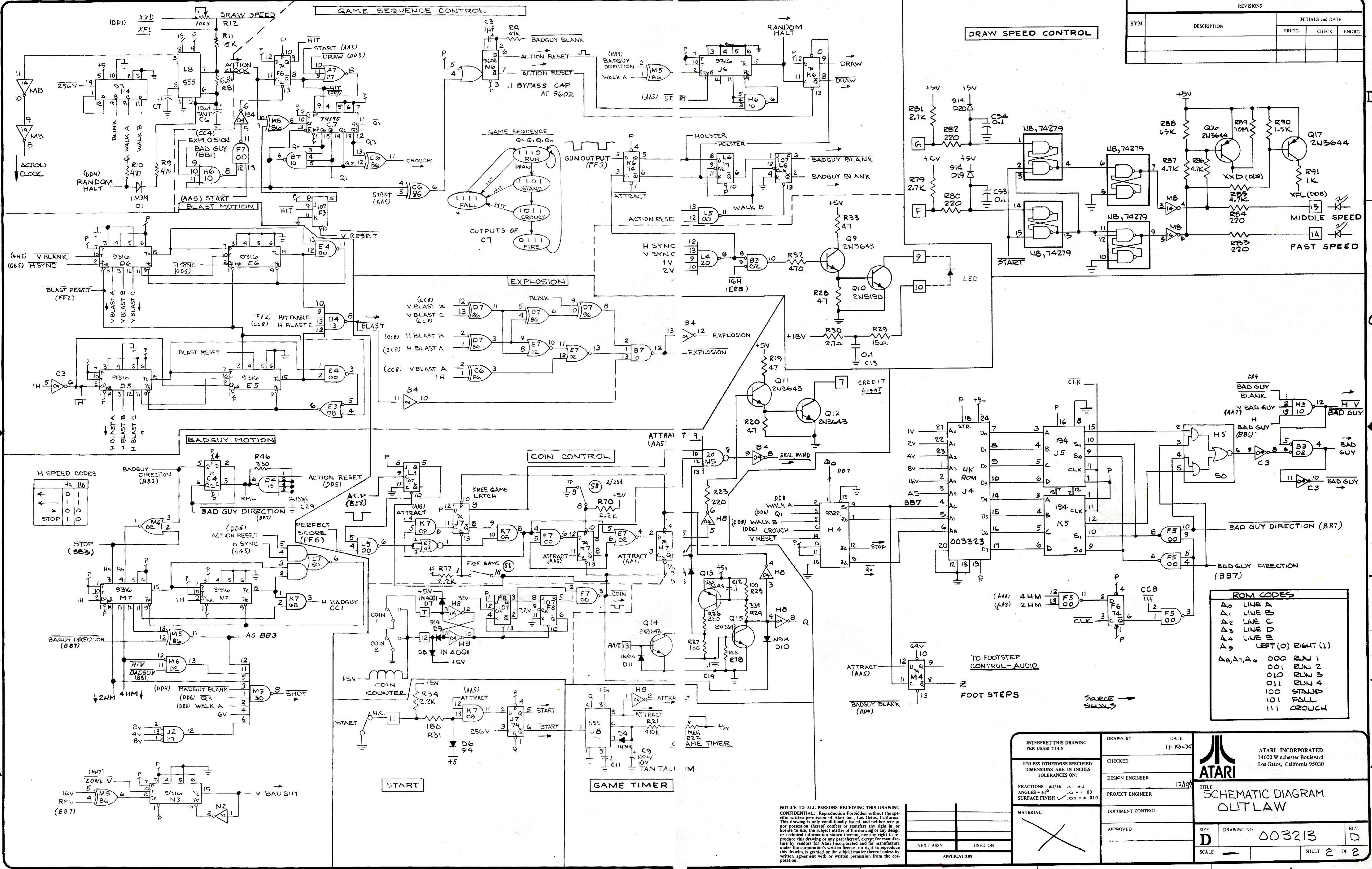
FF

FF

EE

EE

REVISIONS				
SYM	DESCRIPTION	INITIALS and DATE		
		DRFTG	CHECK	ENGRG



NOTICE TO ALL PERSONS RECEIVING THIS DRAWING
 CONFIDENTIAL: Reproduction Forbidden without the specific written permission of Atari Inc., Los Gatos, California. This drawing is only conditionally issued, and neither receipt nor possession thereof confers or transfers any right in, or license to use, the subject matter of the drawing or any design or technical information shown therein, nor any right to reproduce this drawing or any part thereof, except for manufacture by vendors for Atari Incorporated and for manufacture under the corporation's written license, no right to reproduce this drawing is granted or the subject matter thereof unless by written agreement with or written permission from the corporation.

INTERPRET THIS DRAWING PER USAS 114.5	DRAWN BY	DATE	 ATARI INCORPORATED 14600 Winchester Boulevard Los Gatos, California 95030
UNLESS OTHERWISE SPECIFIED DIMENSIONS ARE IN INCHES TOLERANCES ON:	CHECKED	11-19-79	
FRACTIONS = 1/16 .x = .1 ANGLES = 1/4 .xx = .03 SURFACE FINISH = .010	DESIGN ENGINEER	12/10/79	TITLE
MATERIAL:	PROJECT ENGINEER		SCHMATIC DIAGRAM OUTLAW
	DOCUMENT CONTROL		SIZE
	APPROVED		D
NEXT ASSY			DRAWING NO.
			003213
APPLICATION			REV
			D
			SHEET 2 OF 2