



Table of Contents

STUN Runner™ Main Wiring Diagram Page 1

STUN Runner™ Multisync Game PCB Page 2-11

STUN Runner™ SA Audio II PCB Page 12-13

Power Supply and Coin Door Wiring Diagrams and
Schematic Diagram for the Hitron Power Supply Page 14

STUN Runner™ Memory Map Page 15

STUN. RUNNER™

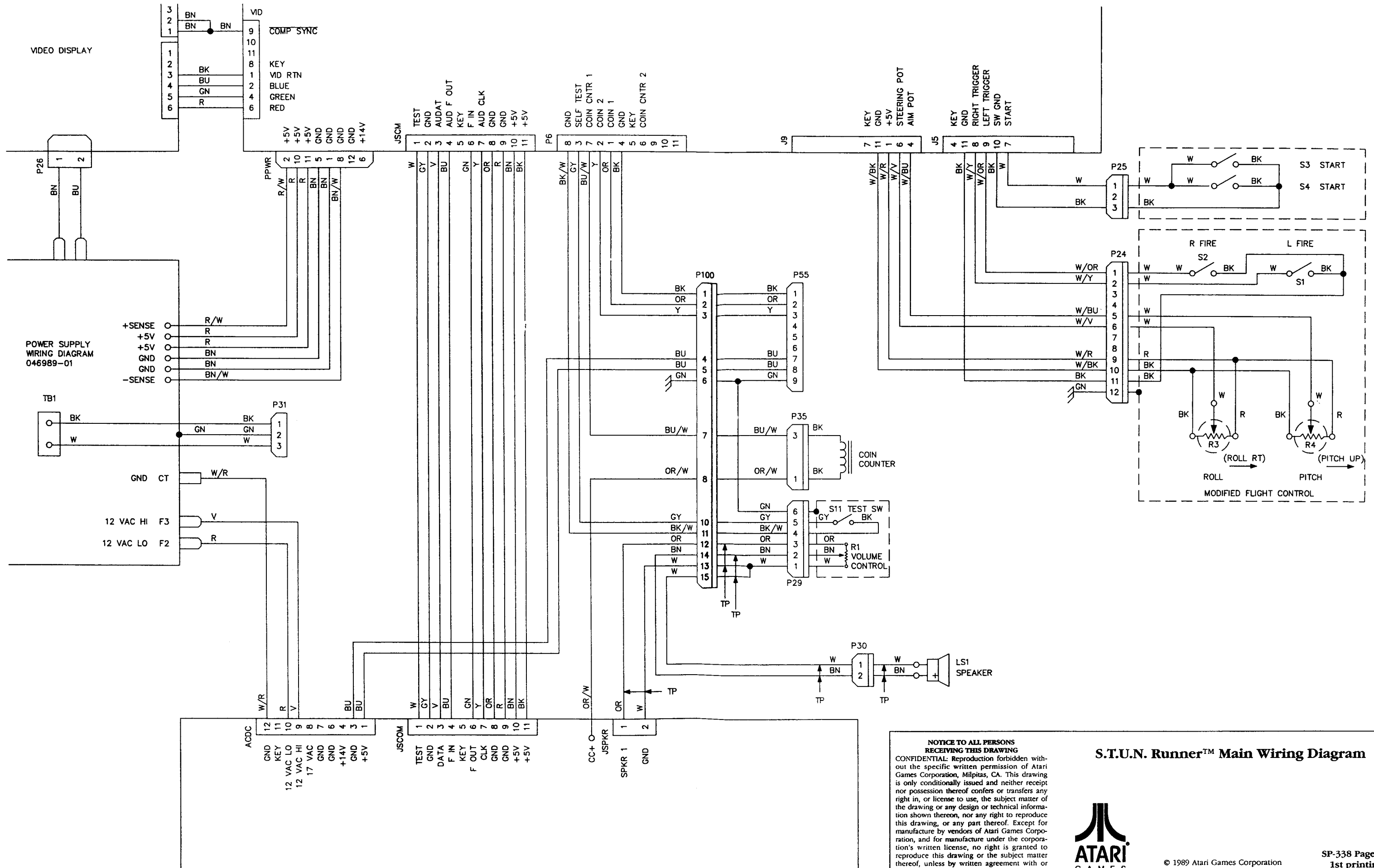
Schematic Package

Supplement to Operator's Manual

NOTE

This staple temporarily holds the schematic package together. Remove the staple before using these schematics.





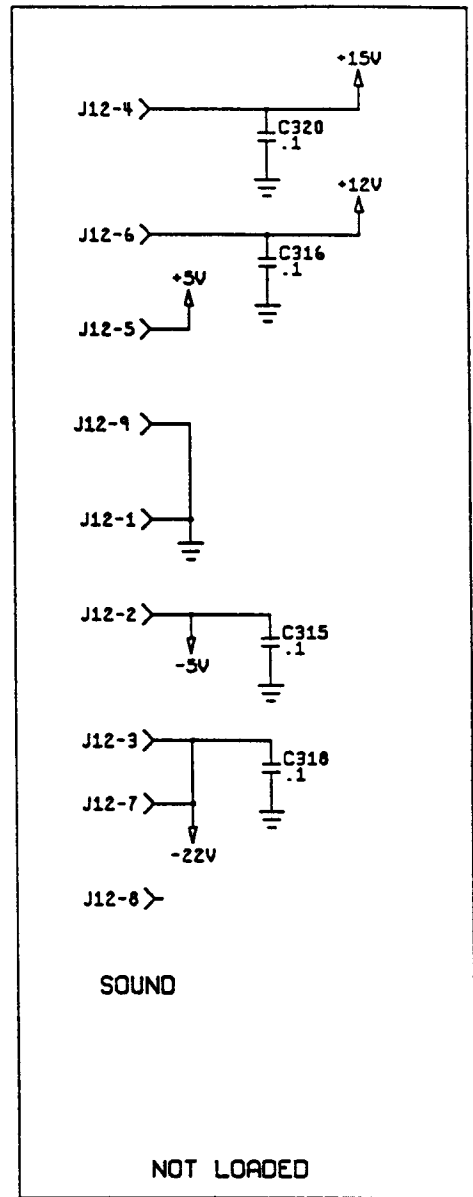
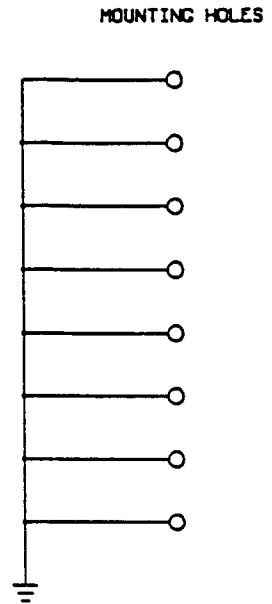
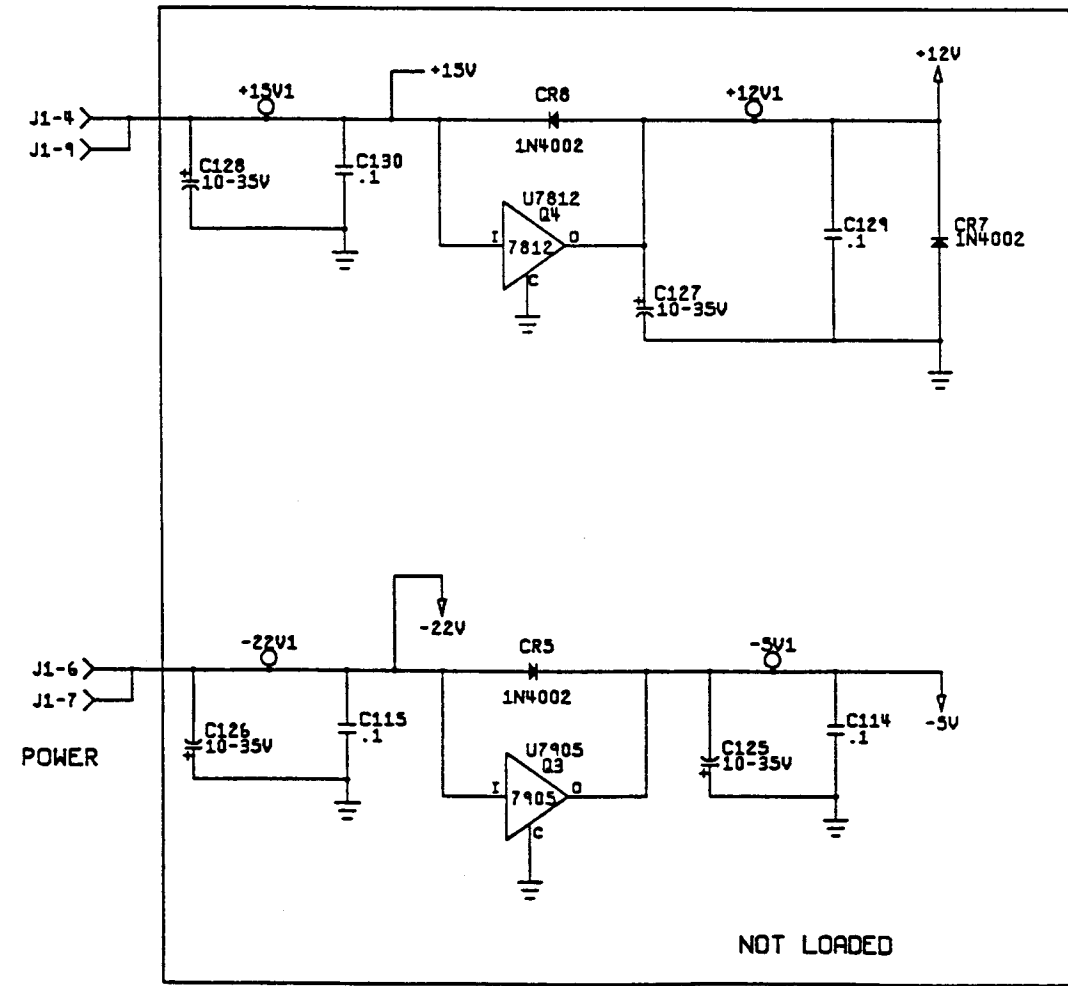
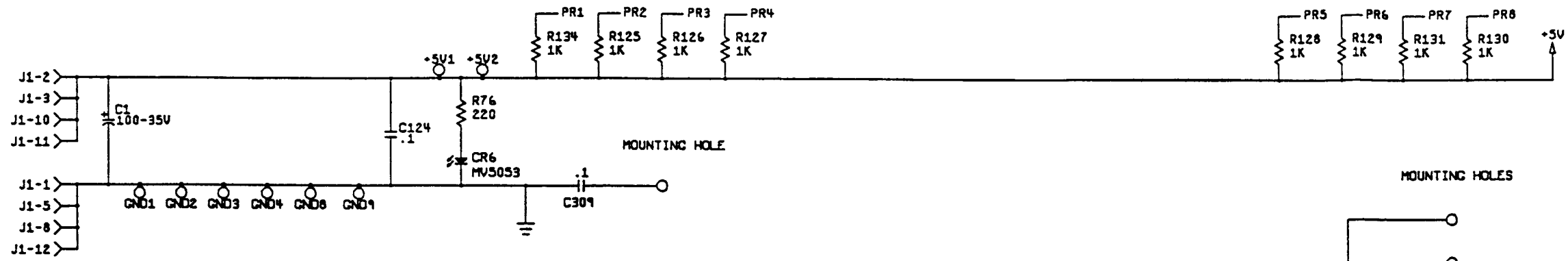
NOTICE TO ALL PERSONS RECEIVING THIS DRAWING
 CONFIDENTIAL: Reproduction forbidden without the specific written permission of Atari Games Corporation, Milpitas, CA. This drawing is only conditionally issued and neither receipt nor possession thereof confers or transfers any right in, or license to use, the subject matter of the drawing or any design or technical information shown thereon, nor any right to reproduce this drawing, or any part thereof. Except for manufacture by vendors of Atari Games Corporation, and for manufacture under the corporation's written license, no right is granted to reproduce this drawing or the subject matter thereof, unless by written agreement with or written permission from the corporation.

S.T.U.N. Runner™ Main Wiring Diagram

ATARI GAMES


© 1989 Atari Games Corporation
047321-01 A

SP-338 Page 1
1st printing



NOTICE TO ALL PERSONS RECEIVING THIS DRAWING

CONFIDENTIAL: Reproduction forbidden without the specific written permission of Atari Games Corporation, Milpitas, CA. This drawing is only conditionally issued and neither receipt nor possession thereof confers or transfers any right in, or license to use, the subject matter of the drawing or any design or technical information shown thereon, nor any right to reproduce this drawing, or any part thereof. Except for manufacture by vendors of Atari Games Corporation, and for manufacture under the corporation's written license, no right is granted to reproduce this drawing or the subject matter thereof, unless by written agreement with or written permission from the corporation.

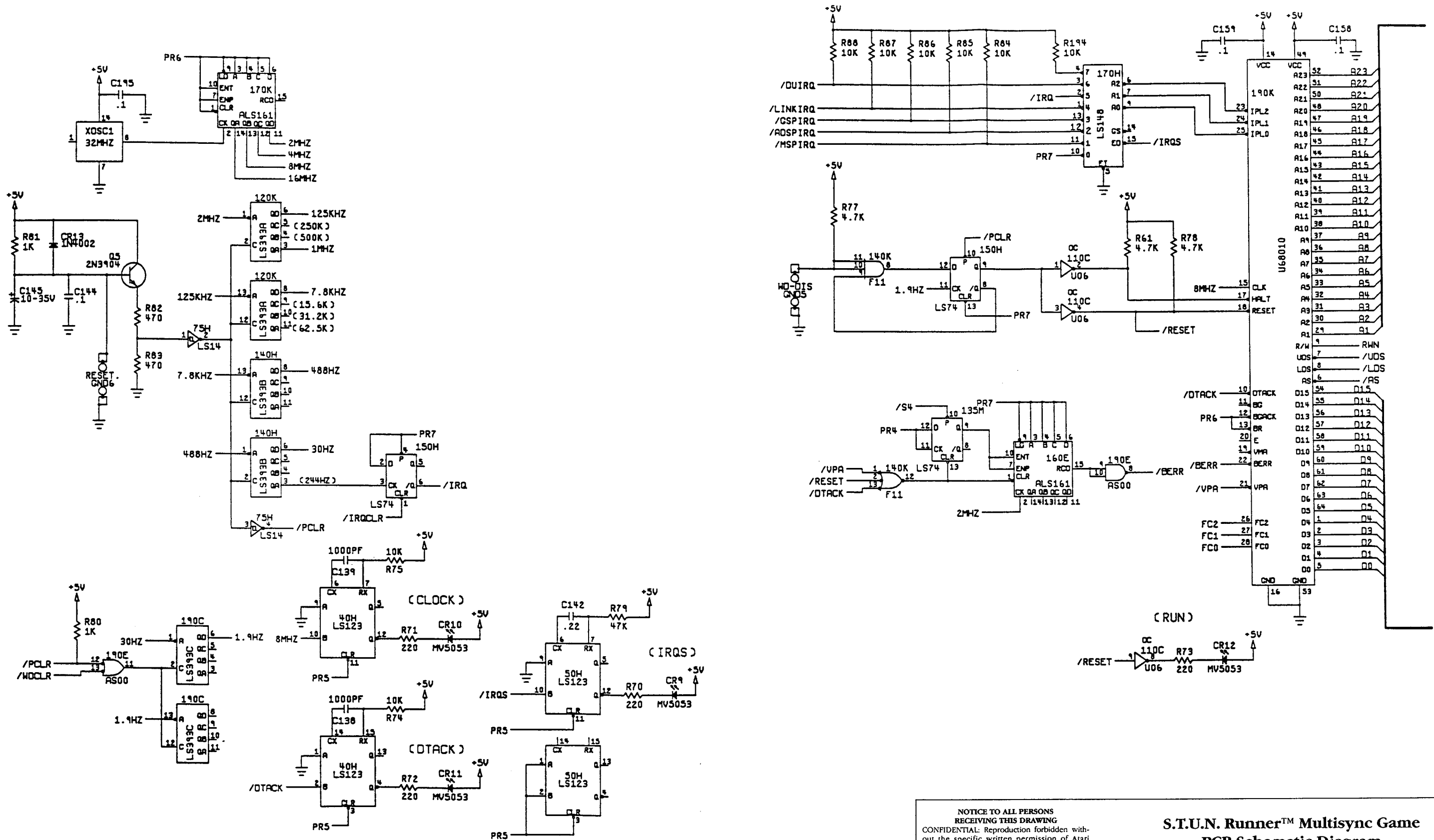


ATARI
GAMES

**S.T.U.N. Runner™ Multisync Game
PCB Schematic Diagram**

© 1989 Atari Games Corporation
044998-11 B

SP-338 Page 2
1st printing

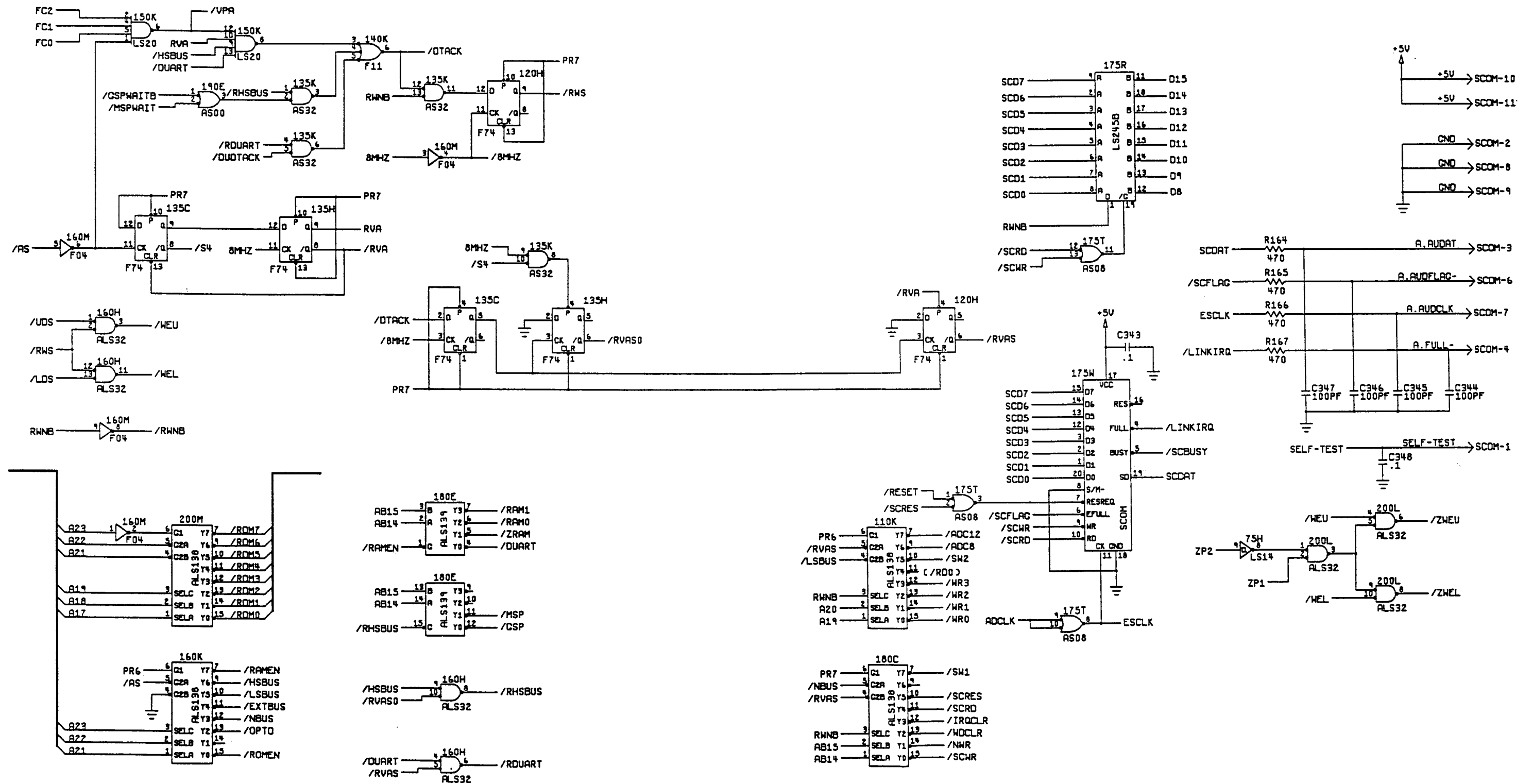


NOTICE TO ALL PERSONS RECEIVING THIS DRAWING
 CONFIDENTIAL: Reproduction forbidden without the specific written permission of Atari Games Corporation, Milpitas, CA. This drawing is only conditionally issued and neither receipt nor possession thereof confers or transfers any right in, or license to use, the subject matter of the drawing or any design or technical information shown thereon, nor any right to reproduce this drawing, or any part thereof. Except for manufacture by vendors of Atari Games Corporation, and for manufacture under the corporation's written license, no right is granted to reproduce this drawing or the subject matter thereof, unless by written agreement with or written permission from the corporation.

**S.T.U.N. Runner™ Multisync Game
 PCB Schematic Diagram**



 © 1989 Atari Games Corporation
 04498-11 B

SP-338 Page 3
 1st printing



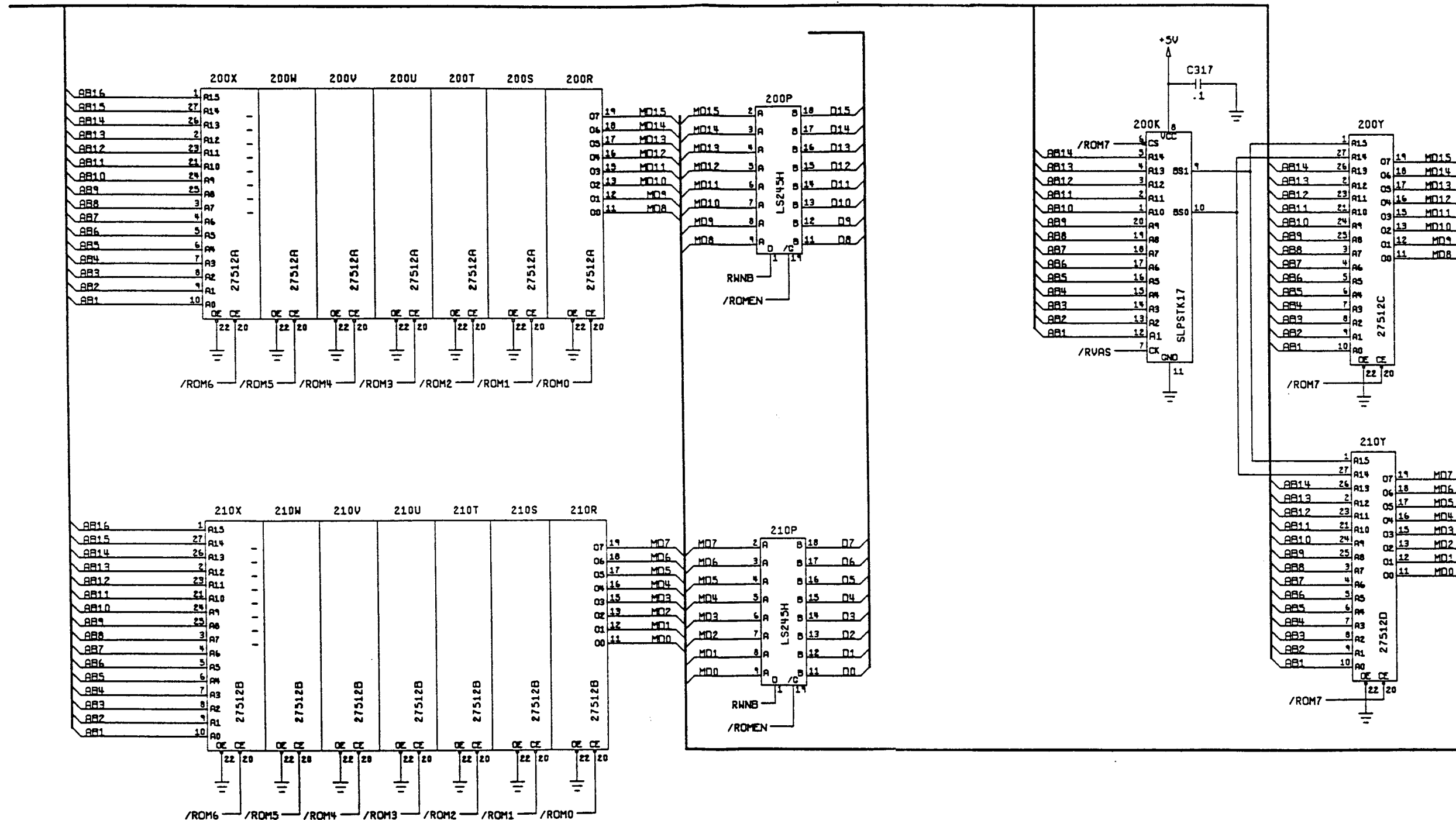
NOTICE TO ALL PERSONS RECEIVING THIS DRAWING
 CONFIDENTIAL: Reproduction forbidden without the specific written permission of Atari Games Corporation, Milpitas, CA. This drawing is only conditionally issued and neither receipt nor possession thereof confers or transfers any right in, or license to use, the subject matter of the drawing or any design or technical information shown thereon, nor any right to reproduce this drawing, or any part thereof. Except for manufacture by vendors of Atari Games Corporation, and for manufacture under the corporation's written license, no right is granted to reproduce this drawing or the subject matter thereof, unless by written agreement with or written permission from the corporation.

**S.T.U.N. Runner™ Multisync Game
 PCB Schematic Diagram**



© 1989 Atari Games Corporation
 04998-11 B

SP-338 Page 4
 1st printing



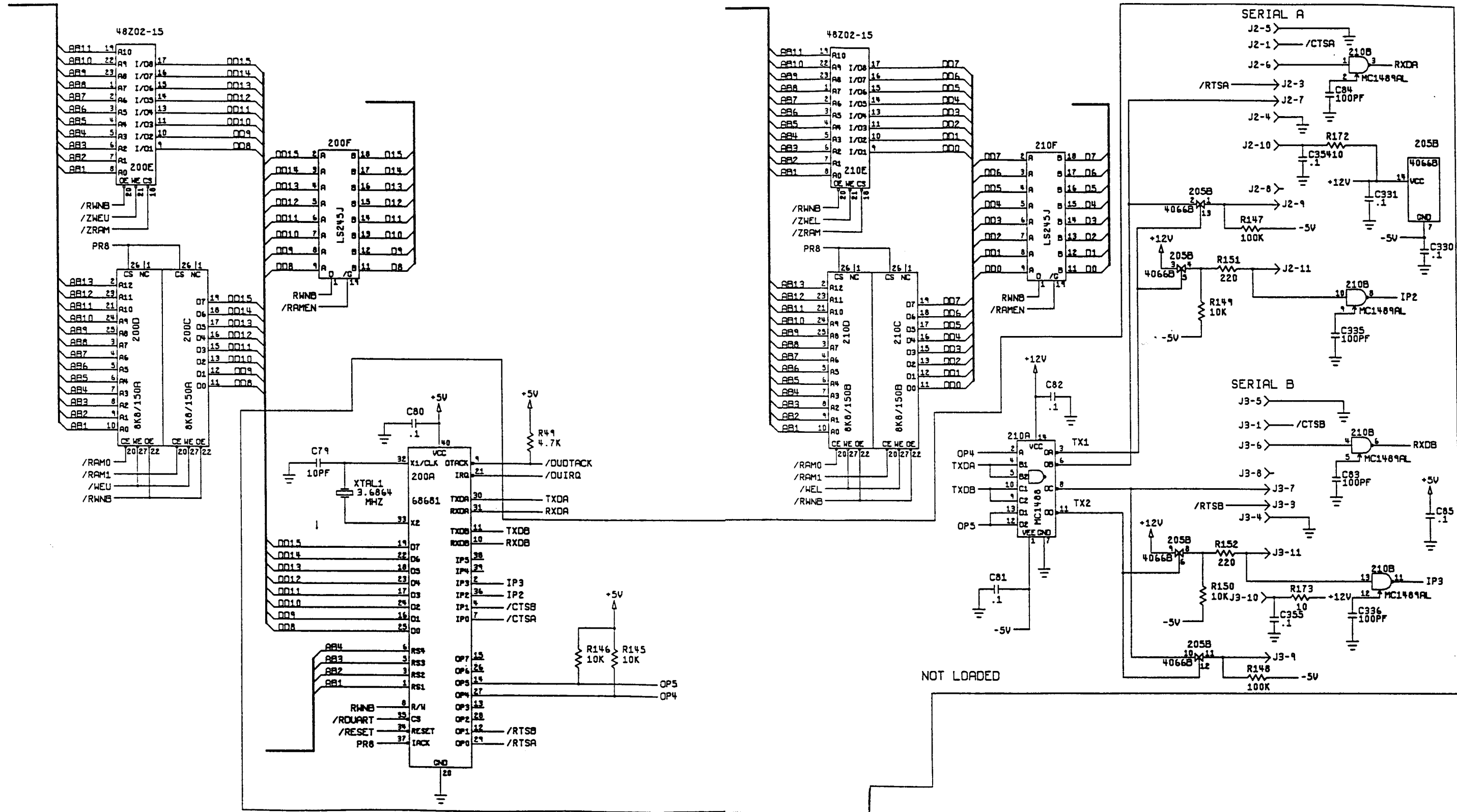
NOTICE TO ALL PERSONS RECEIVING THIS DRAWING
 CONFIDENTIAL: Reproduction forbidden without the specific written permission of Atari Games Corporation, Milpitas, CA. This drawing is only conditionally issued and neither receipt nor possession thereof confers or transfers any right in, or license to use, the subject matter of the drawing or any design or technical information shown thereon, nor any right to reproduce this drawing, or any part thereof. Except for manufacture by vendors of Atari Games Corporation, and for manufacture under the corporation's written license, no right is granted to reproduce this drawing or the subject matter thereof, unless by written agreement with or written permission from the corporation.

**S.T.U.N. Runner™ Multisync Game
 PCB Schematic Diagram**

**ATARI
 GAMES**

© 1989 Atari Games Corporation
 044998-11 B

SP-338 Page 5
 1st printing

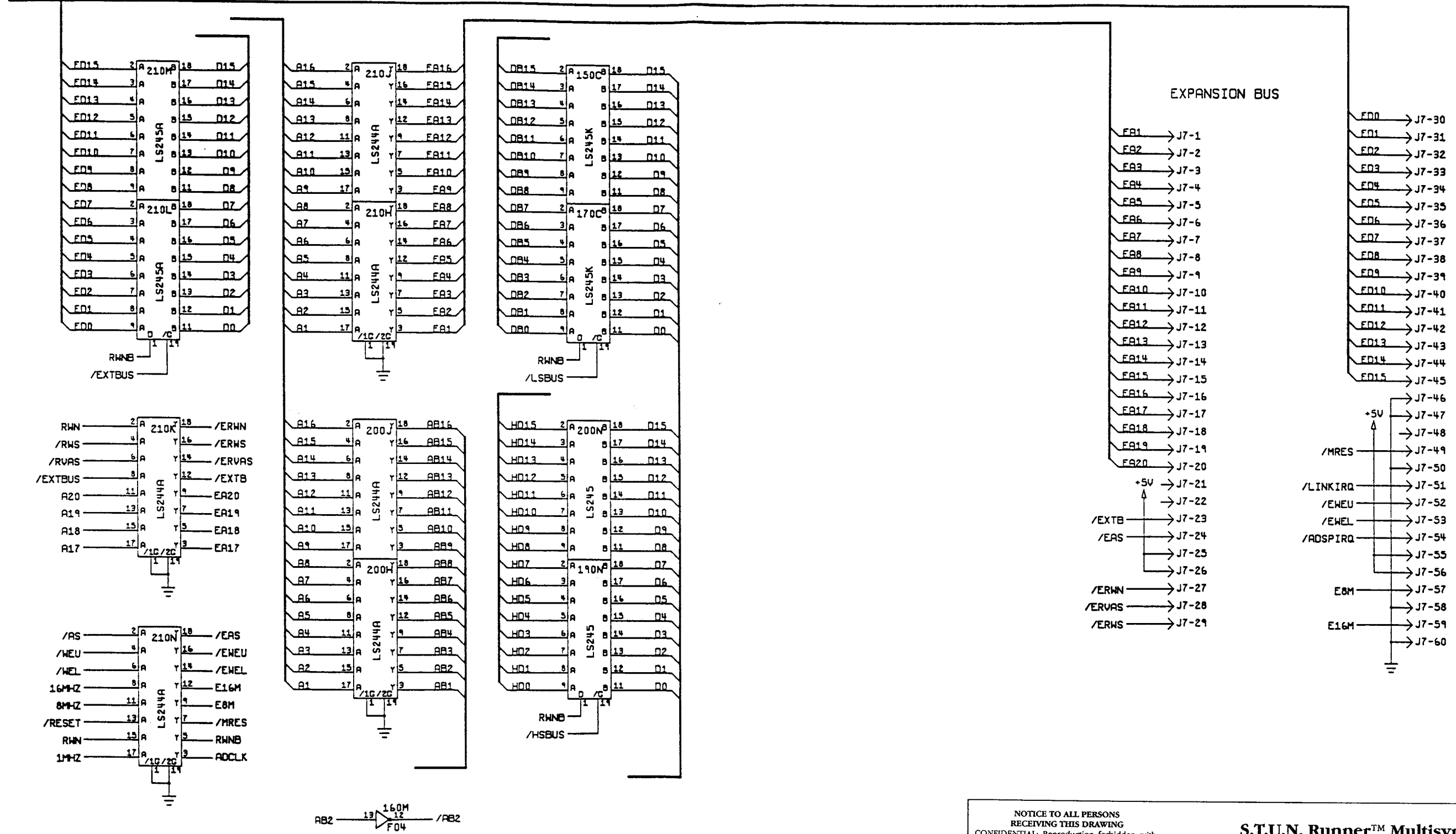


NOTICE TO ALL PERSONS RECEIVING THIS DRAWING
 CONFIDENTIAL: Reproduction forbidden without the specific written permission of Atari Games Corporation, Milpitas, CA. This drawing is only conditionally issued and neither receipt nor possession thereof confers or transfers any right in, or license to use, the subject matter of the drawing or any design or technical information shown thereon, nor any right to reproduce this drawing, or any part thereof. Except for manufacture by vendors of Atari Games Corporation, and for manufacture under the corporation's written license, no right is granted to reproduce this drawing or the subject matter thereof, unless by written agreement with or written permission from the corporation.

**S.T.U.N. Runner™ Multisync Game
 PCB Schematic Diagram**

© 1989 Atari Games Corporation
 04498-11 B

SP-338 Page 6
 1st printing



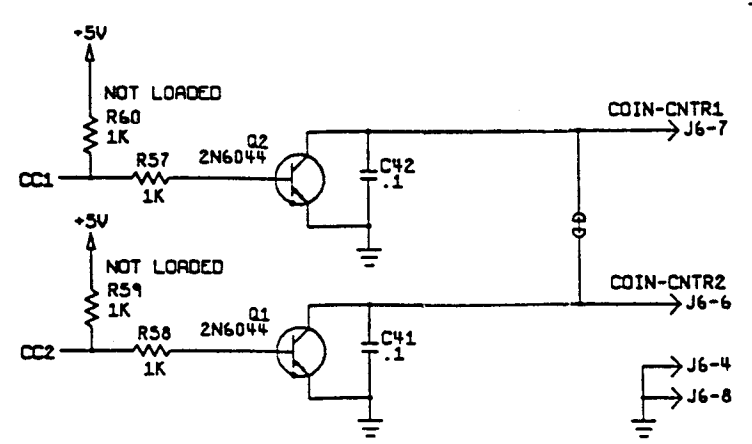
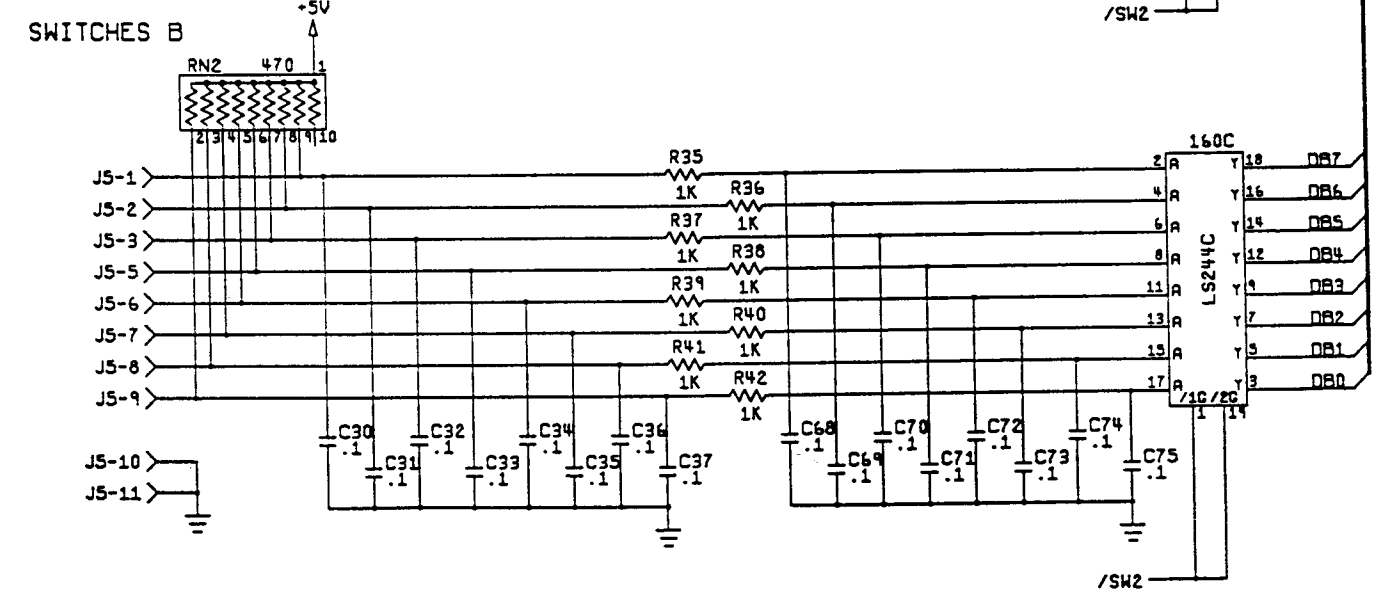
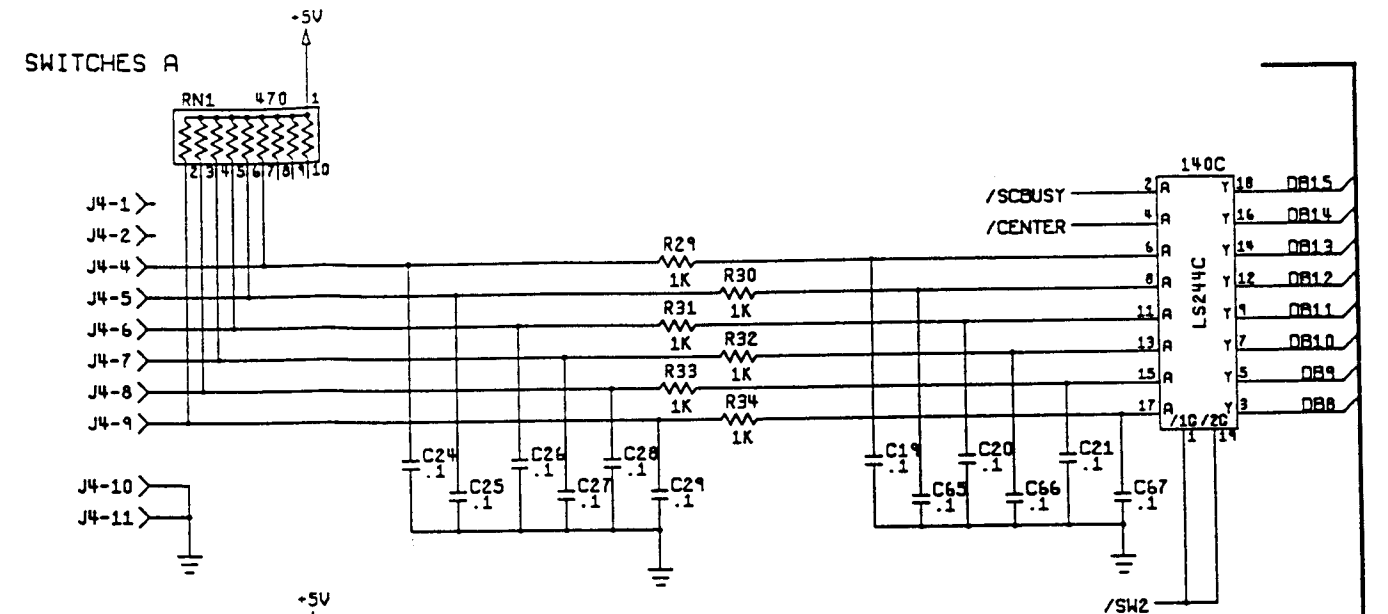
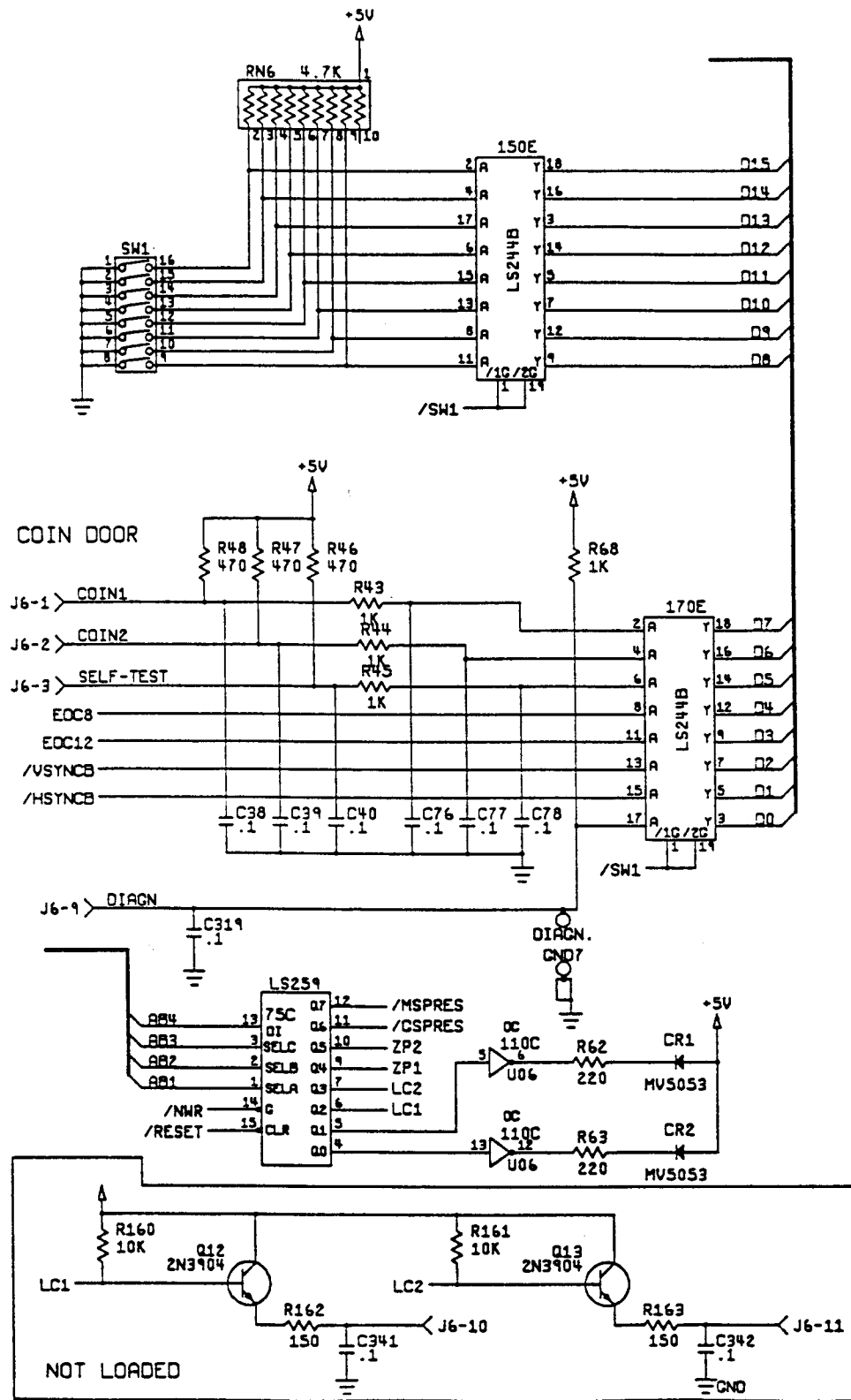
NOTICE TO ALL PERSONS RECEIVING THIS DRAWING
 CONFIDENTIAL: Reproduction forbidden without the specific written permission of Atari Games Corporation, Milpitas, CA. This drawing is only conditionally issued and neither receipt nor possession thereof confers or transfers any right in, or license to use, the subject matter of the drawing or any design or technical information shown thereon, nor any right to reproduce this drawing, or any part thereof. Except for manufacture by vendors of Atari Games Corporation, and for manufacture under the corporation's written license, no right is granted to reproduce this drawing or the subject matter thereof, unless by written agreement with or written permission from the corporation.

**S.T.U.N. Runner™ Multisync Game
 PCB Schematic Diagram**

**ATARI
 GAMES**

© 1989 Atari Games Corporation
 044998-11 B

SP-338 Page 7
 1st printing



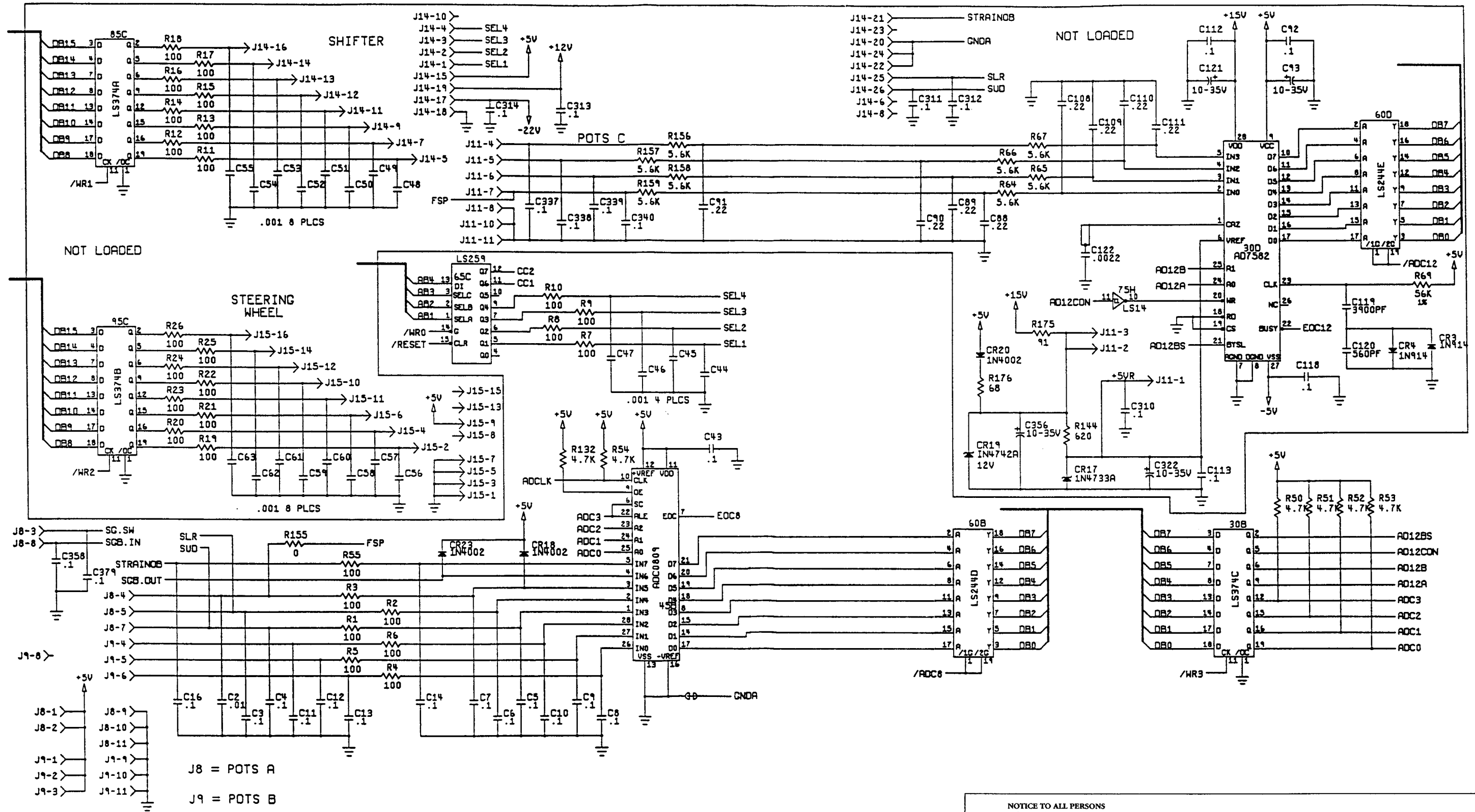
NOTICE TO ALL PERSONS RECEIVING THIS DRAWING
 CONFIDENTIAL: Reproduction forbidden without the specific written permission of Atari Games Corporation, Milpitas, CA. This drawing is only conditionally issued and neither receipt nor possession thereof confers or transfers any right in, or license to use, the subject matter of the drawing or any design or technical information shown thereon, nor any right to reproduce this drawing, or any part thereof. Except for manufacture by vendors of Atari Games Corporation, and for manufacture under the corporation's written license, no right is granted to reproduce this drawing or the subject matter thereof, unless by written agreement with or written permission from the corporation.

**S.T.U.N. Runner™ Multisync Game
 PCB Schematic Diagram**

**ATARI
 GAMES**

© 1989 Atari Games Corporation
 04498-11 B

SP-338 Page 8
 1st printing



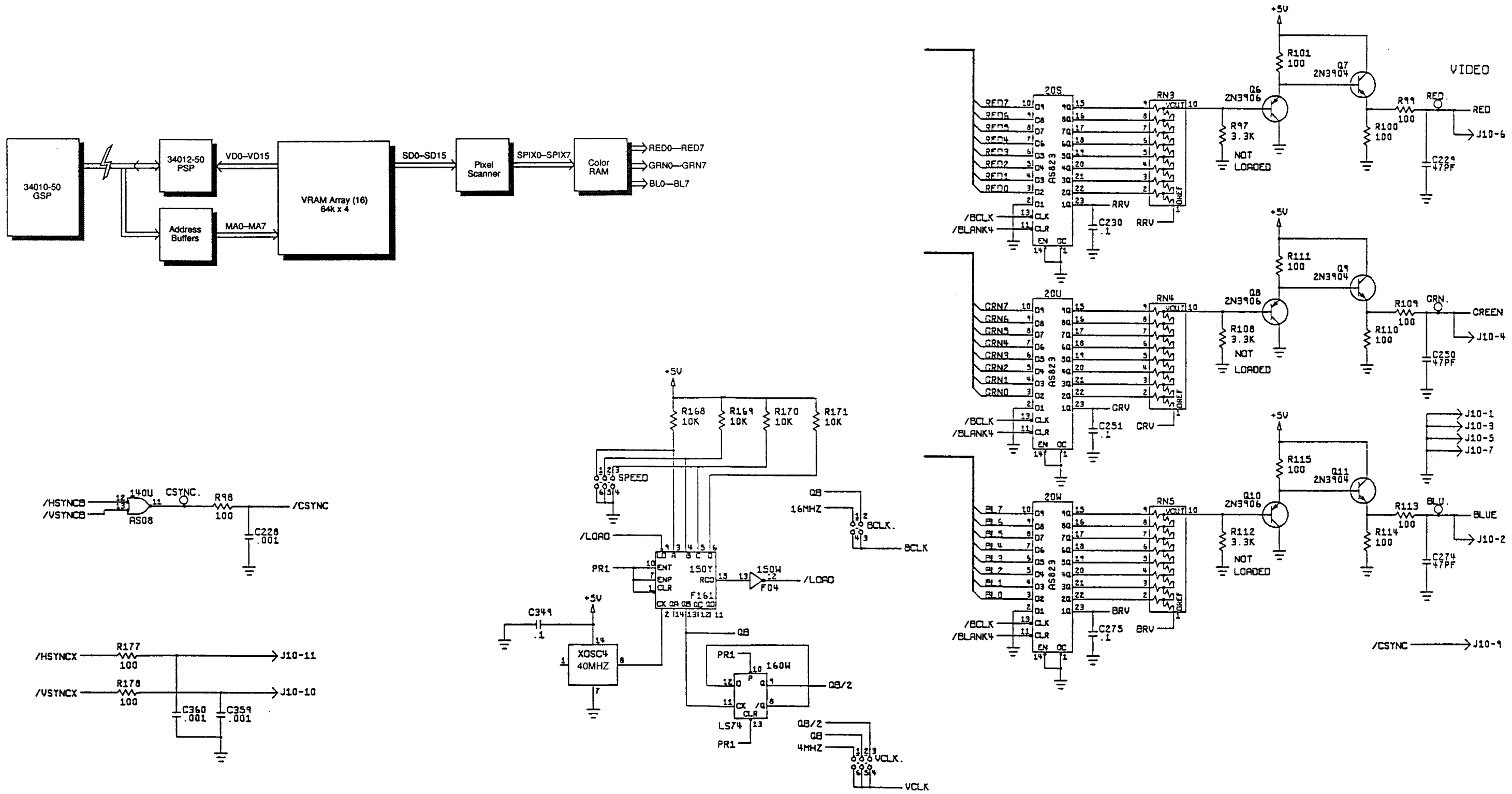
NOTICE TO ALL PERSONS RECEIVING THIS DRAWING
 CONFIDENTIAL: Reproduction forbidden without the specific written permission of Atari Games Corporation, Milpitas, CA. This drawing is only conditionally issued and neither receipt nor possession thereof confers or transfers any right in, or license to use, the subject matter of the drawing or any design or technical information shown thereon, nor any right to reproduce this drawing, or any part thereof. Except for manufacture by vendors of Atari Games Corporation, and for manufacture under the corporation's written license, no right is granted to reproduce this drawing or the subject matter thereof, unless by written agreement with or written permission from the corporation.

**S.T.U.N. Runner™ Multisync Game
 PCB Schematic Diagram**



© 1989 Atari Games Corporation
 04498-11 B

SP-338 Page 9
 1st printing



Correct Jumper Settings for S.T.U.N. RUNNER

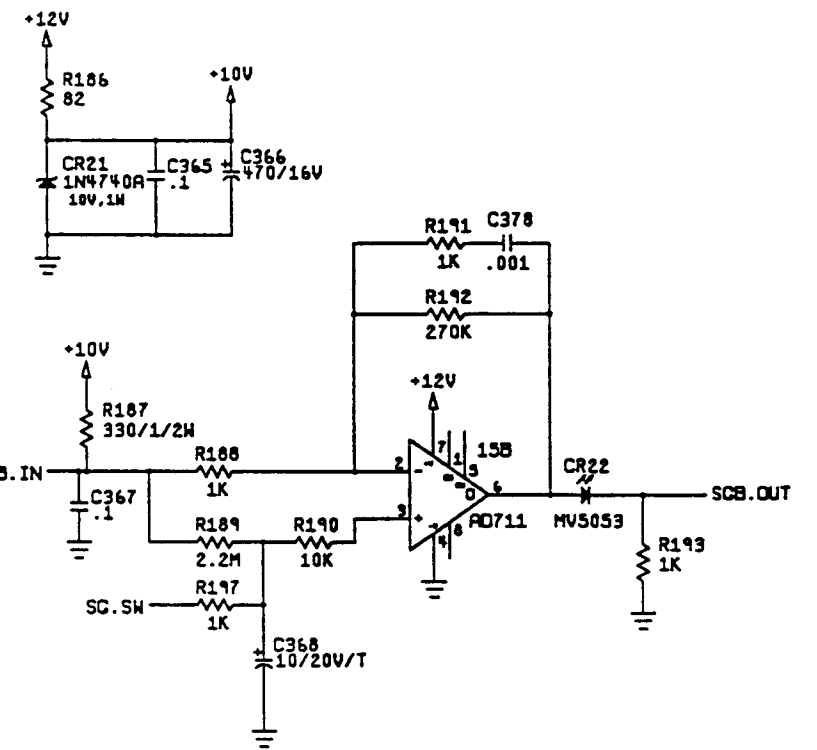
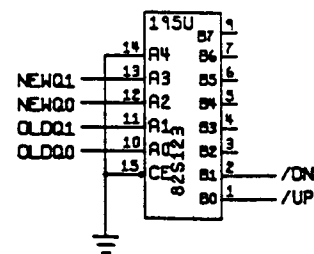
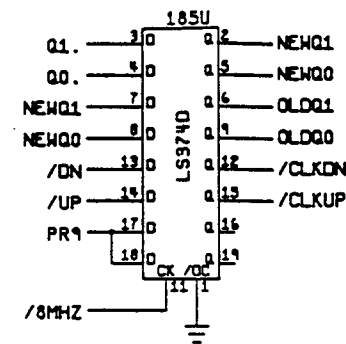
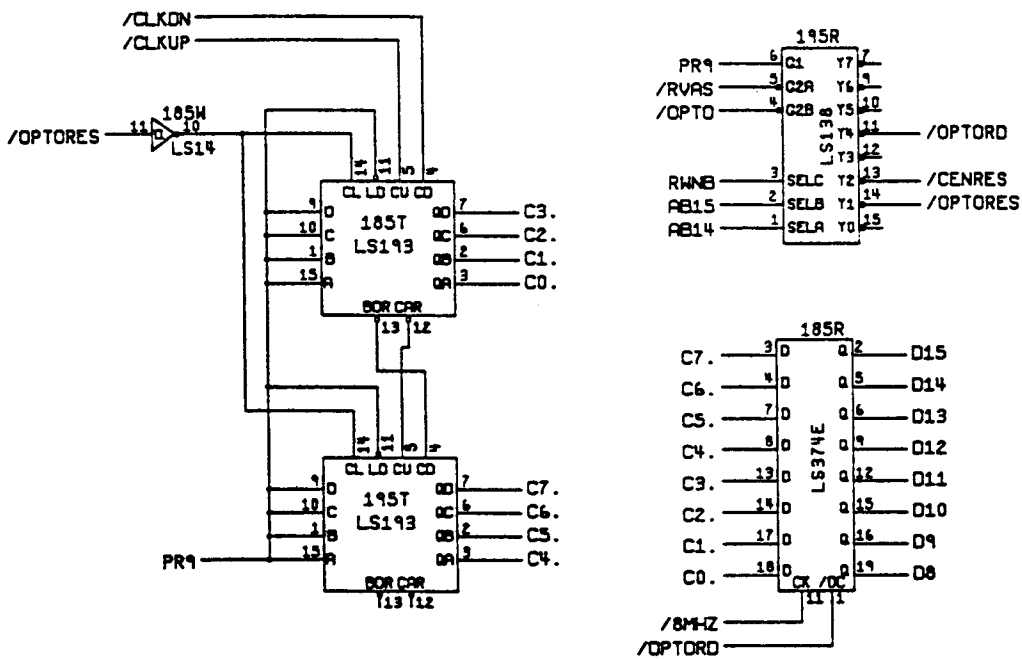
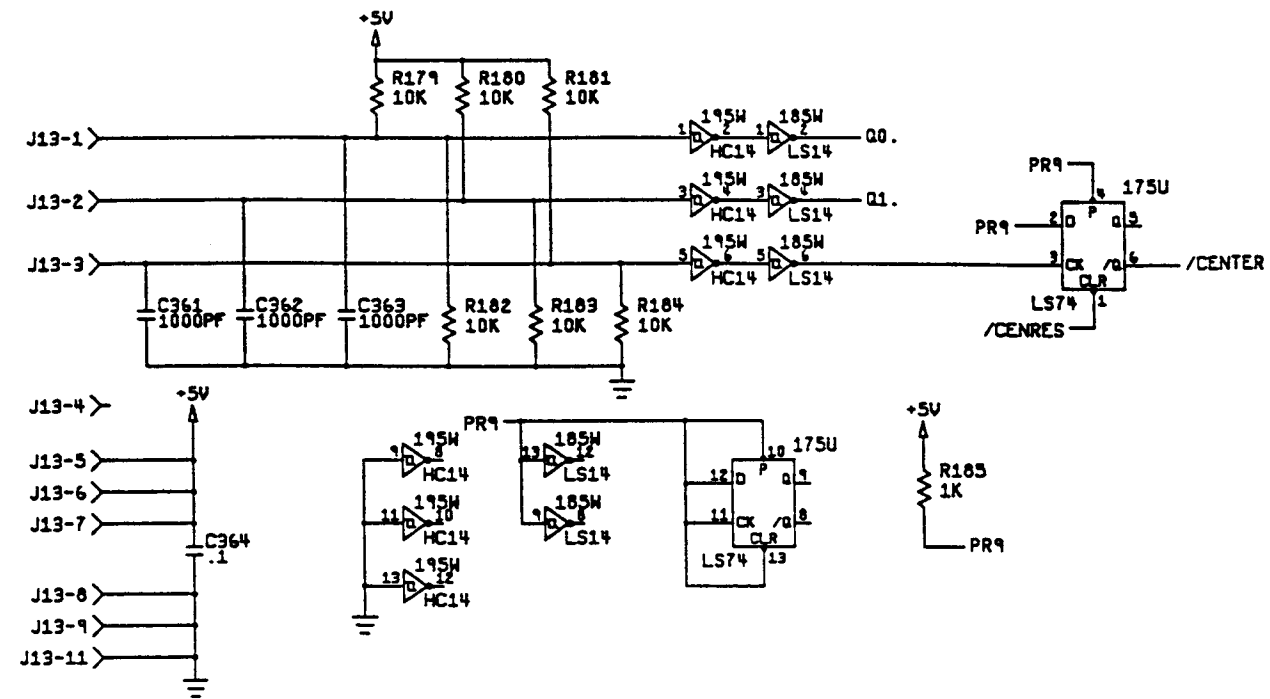
Jumper	Setting
Speed	A, B
BCLK	QB
VCLK	QB/2

NOTICE TO ALL PERSONS RECEIVING THIS DRAWING
 CONFIDENTIAL: Reproduction forbidden without the specific written permission of Atari Games Corporation, Milpitas, CA. This drawing is only conditionally issued and neither receipt nor possession thereof confers or transfers any right in, or license to use, the subject matter of the drawing or any design or technical information shown thereon, nor any right to reproduce this drawing, or any part thereof. Except for manufacture by vendors of Atari Games Corporation, and for manufacture under the corporation's written license, no right is granted to reproduce this drawing or the subject matter thereof, unless by written agreement with or written permission from the corporation.

**S.T.U.N. Runner™ Multisync Game
 PCB Schematic Diagram**

© 1989 Atari Games Corporation
 044998-11 B

SP-338 Page 10
 1st printing



THIS SHEET NOT LOADED

NOTICE TO ALL PERSONS RECEIVING THIS DRAWING

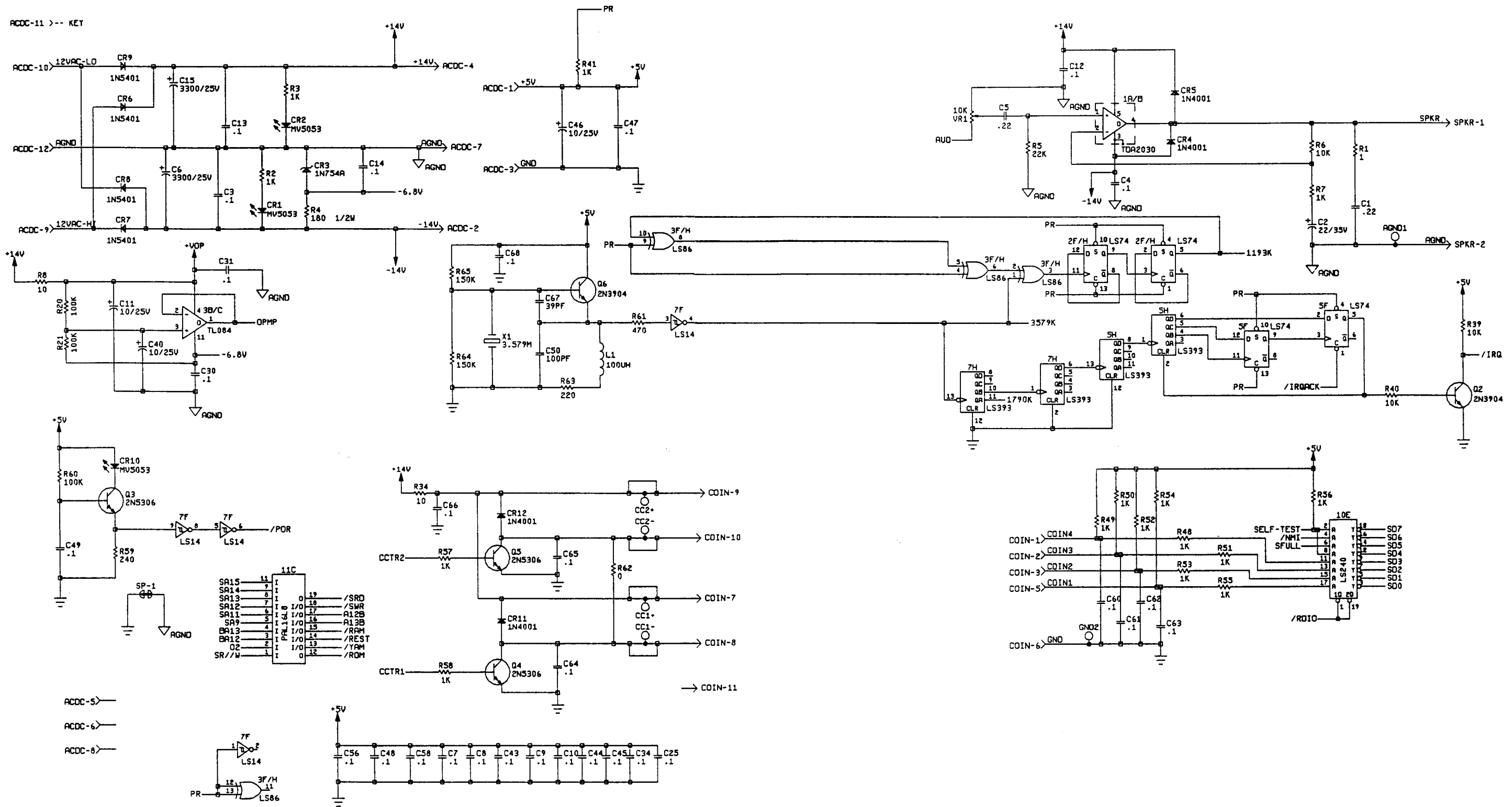
CONFIDENTIAL: Reproduction forbidden without the specific written permission of Atari Games Corporation, Milpitas, CA. This drawing is only conditionally issued and neither receipt nor possession thereof confers or transfers any right in, or license to use, the subject matter of the drawing or any design or technical information shown thereon, nor any right to reproduce this drawing, or any part thereof. Except for manufacture by vendors of Atari Games Corporation, and for manufacture under the corporation's written license, no right is granted to reproduce this drawing or the subject matter thereof, unless by written agreement with or written permission from the corporation.

**S.T.U.N. Runner™ Multisync Game
PCB Schematic Diagram**



© 1989 Atari Games Corporation
044998-11 B

SP-338 Sheet 11
1st printing



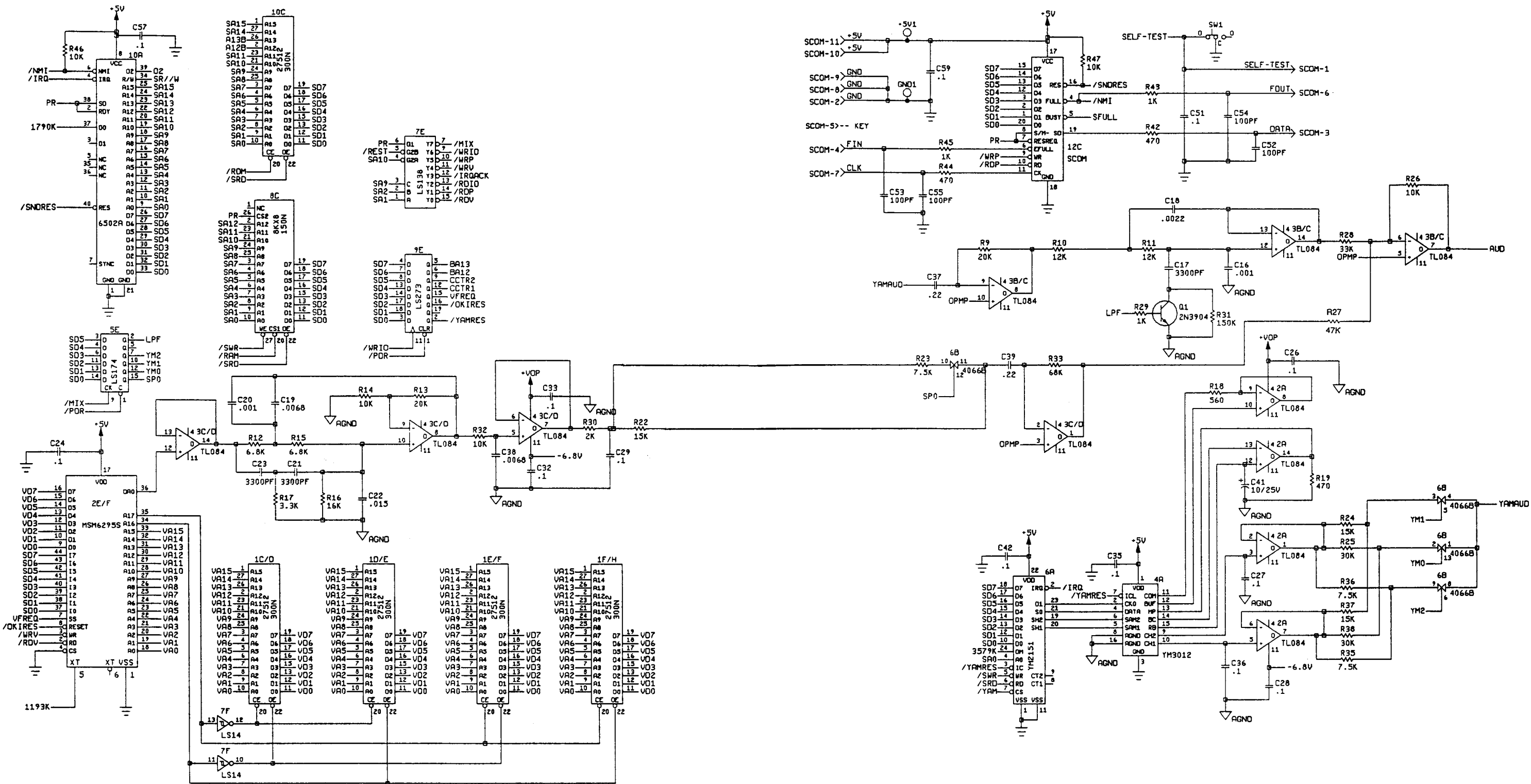
SA15	I	11	0	17	/SRD
SA14	I	9	0	18	/SWR
SA13	I	8	0	17	A12B
SA12	I	7	1/0	18	A13B
SA11	I	6	1/0	18	/RAM
SA9	I	5	1/0	15	/REST
BA13	I	4	1/0	14	/YAM
BA12	I	3	1/0	13	/YAM
O2	I	2	1/0	13	/YAM
SR//W	I	1	1/0	12	/ROM

NOTICE TO ALL PERSONS RECEIVING THIS DRAWING
 CONFIDENTIAL: Reproduction forbidden without the specific written permission of Atari Games Corporation, Milpitas, CA. This drawing is only conditionally issued and neither receipt nor possession thereof confers or transfers any right in, or license to use, the subject matter of the drawing or any design or technical information shown thereon, nor any right to reproduce this drawing, or any part thereof. Except for manufacture by vendors of Atari Games Corporation, and for manufacture under the corporation's written license, no right is granted to reproduce this drawing or the subject matter thereof, unless by written agreement with or written permission from the corporation.

**S.T.U.N. Runner™ SA Audio II
 PCB Schematic Diagram**

© 1989 Atari Games Corporation
 047150-01 B

**SP-338 Page 12
 1st printing**



NOTICE TO ALL PERSONS RECEIVING THIS DRAWING

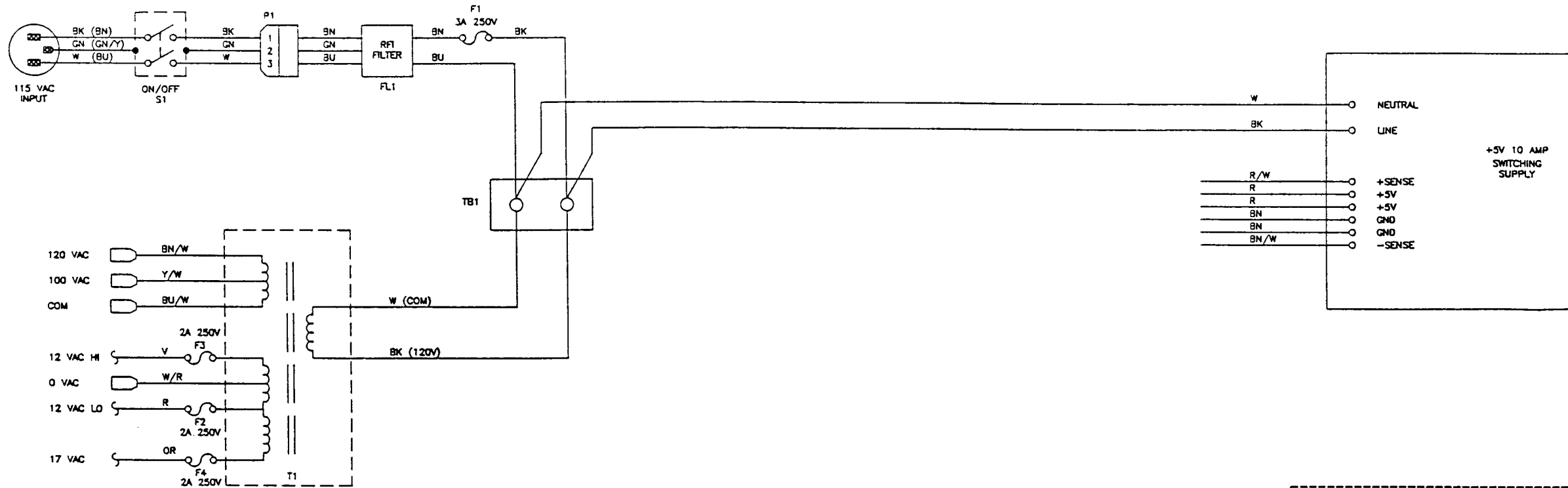
CONFIDENTIAL: Reproduction forbidden without the specific written permission of Atari Games Corporation, Milpitas, CA. This drawing is only conditionally issued and neither receipt nor possession thereof confers or transfers any right in, or license to use, the subject matter of the drawing or any design or technical information shown thereon, nor any right to reproduce this drawing, or any part thereof. Except for manufacture by vendors of Atari Games Corporation, and for manufacture under the corporation's written license, no right is granted to reproduce this drawing or the subject matter thereof, unless by written agreement with or written permission from the corporation.

**S.T.U.N. Runner™ SA Audio II
PCB Schematic Diagram**

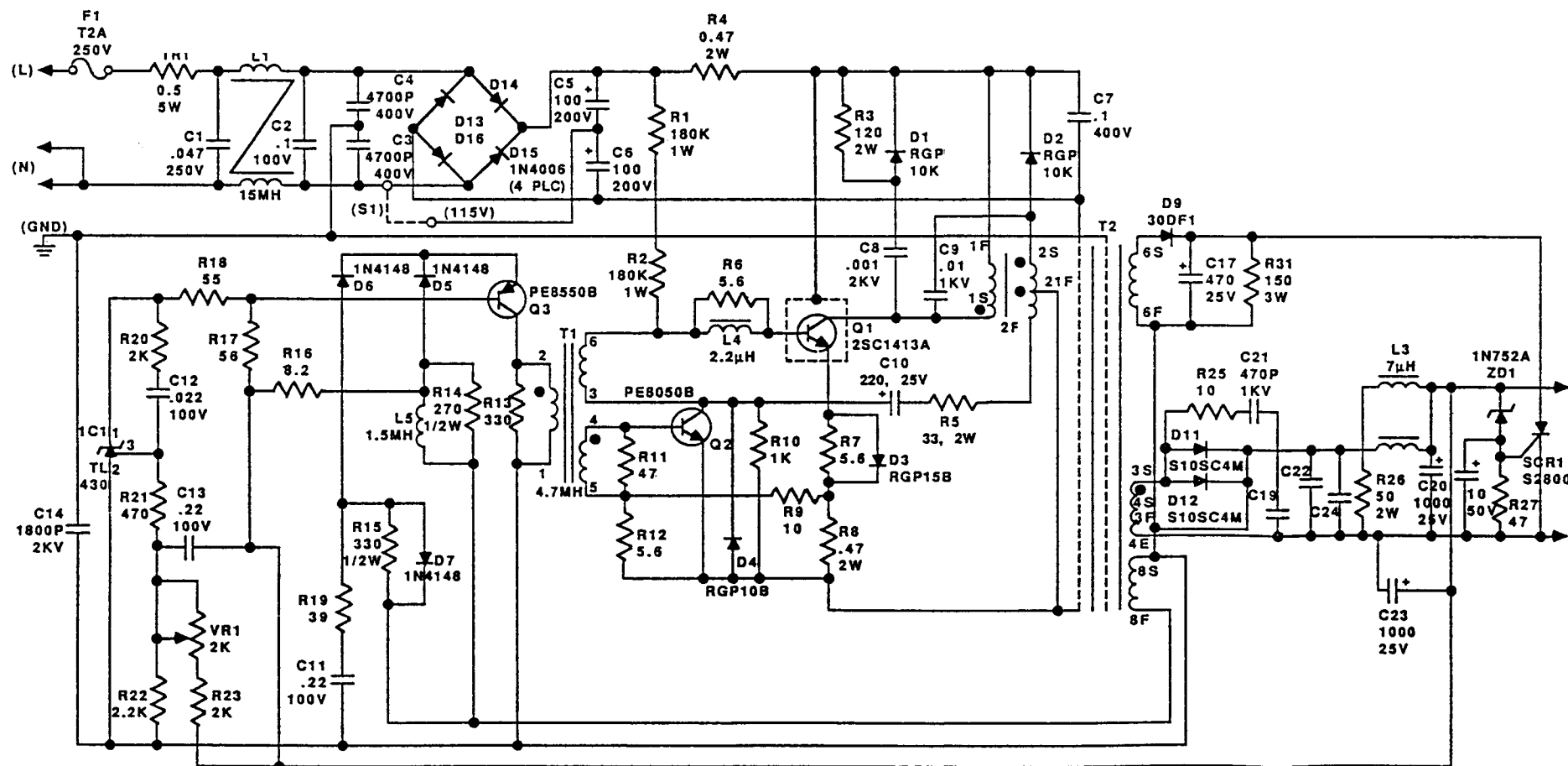


© 1989 Atari Games Corporation
047150-01 B

SP-338 Page 13
1st printing

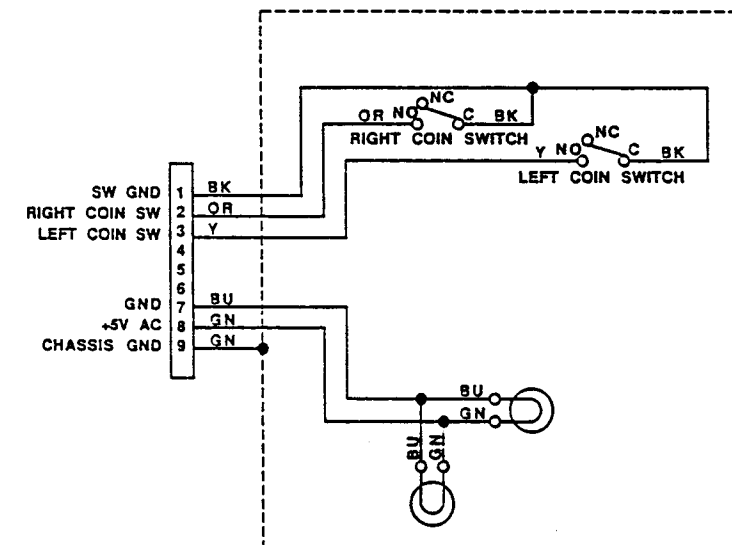


Switching/Linear Power Supply



Hitron 5V 10A Switching Power Supply

ATARI PART NO: 149003-003 (120V)
149003-103 (240V)



Coin Door Wiring Diagram

NOTICE TO ALL PERSONS RECEIVING THIS DRAWING
CONFIDENTIAL: Reproduction forbidden without the specific written permission of Atari Games Corporation, Milpitas, CA. This drawing is only conditionally issued and neither receipt nor possession thereof confers or transfers any right in, or license to use, the subject matter of the drawing or any design or technical information shown thereon, nor any right to reproduce this drawing, or any part thereof. Except for manufacture by vendors of Atari Games Corporation, and for manufacture under the corporation's written license, no right is granted to reproduce this drawing or the subject matter thereof, unless by written agreement with or written permission from the corporation.

Switching/Linear Power Supply, Hitron 5V, 10A Switching Power Supply, and Coin Door Wiring Diagrams



Main Board Memory Map

ROMEN: Program ROM {Read Only}

00 0000 - 01 FFFF	ROM 0	128K Bytes
02 0000 - 03 FFFF	ROM 1	128K Bytes
04 0000 - 05 FFFF	ROM 2	128K Bytes
06 0000 - 07 FFFF	ROM 3	128K Bytes
08 0000 - 09 FFFF	ROM 4	128K Bytes
0A 0000 - 0B FFFF	ROM 5	128K Bytes
0C 0000 - 0D FFFF	ROM 6	128K Bytes
0E 0000 - 0F FFFF	ROM 7	128K Bytes

OPTO: Optical Steering Wheel Reader

40 0000	{R}	OPTORD	Read the Optical Counter
40 4000	{W}	OPTORES	Reset the Optical Counter
40 8000	{W}	CENRES	Reset the Optical Center Flag

NBUS

60 0000	{R/W}	SCOM	Serial Sound Communications
60 4000	{R}	SCRES	Reset SCOM IC (Address Strobe) READ ONLY
60 4000	{W}		Latches on Address Strobe (Data is ignored)

60 4000	LED 1 off
60 4002	LED 2 off

60 4004	LC1ON	Aux Control 1 High	(Latched)
60 4006	LC2ON	Aux Control 2 High	(Latched)
60 4008	ZP1WEN	ZeroPower RAM Enable 1	(Latched)
60 400A	ZP2WDIS	ZeroPower RAM Disable 2	(Latched)

60 400C	GSP Reset Low
60 400E	MSP Reset Low

60 4010	LED 1 on		
60 4012	LED 2 on		
60 4014	LC1OFF	Aux Control 1 High	(Latched)
60 4016	LC2OFF	Aux Control 2 High	(Latched)

60 4018	ZP1WDIS	ZeroPower RAM Disable 1	(Latched)
60 401A	ZP2WEN	ZeroPower RAM Enable 2	(Latched)
60 401C	GSP Reset High		
60 401E	MSP Reset High		

60 8000	{W}	WDCLR	Clear Watch Dog (Address Strobe)
60 C000	{R}	SW1	

D15	Option Switch 7	(*0* = on)
D14	Option Switch 6	(*0* = on)
D13	Option Switch 5	(*0* = on)
D12	Option Switch 4	(*0* = on)
D11	Option Switch 3	(*0* = on)
D10	Option Switch 2	(*0* = on)
D9	Option Switch 1	(*0* = on)
D8	Option Switch 0	(*0* = on)

D7	Coin Switch 1	(*0* = on)
D6	Coin Switch 2	(*0* = on)
D5	Self-Test Switch	(*0* = on)

Main Board Memory Map, Contd.

D4	8 Bit ADC, End of Conversion = '1'
D3	12 Bit A/D, End of Conversion = '1'
D2	Vertical Sync from GSP
D1	Horizontal Sync from GSP
D0	Diagnostic Switch (*0* = on)

60 C000	{W}	Clear Timer IRQ (Address Strobe)
---------	-----	----------------------------------

LSBUS

A0 0000	{R}	
A0 0000	{W}	WR0, Write to Shifter Interface and Coin Counters. Latches on Address Strobe (Data is ignored)

A0 0000	SEL 1 Low
A0 0002	SEL 2 Low
A0 0004	SEL 3 Low
A0 0006	SEL 4 Low
A0 0008	SEL 4 Low
A0 000A	
A0 000C	Coin Counter 1 off
A0 000E	Coin Counter 2 off

A0 0010	
A0 0012	Coin Counter 1 on
A0 0014	Coin Counter 2 on
A0 0016	
A0 0018	
A0 001A	
A0 001C	
A0 001E	

A0 0010	SEL 1 High
A0 0012	SEL 2 High
A0 0014	SEL 3 High
A0 0016	SEL 4 High
A0 0018	SEL 4 High
A0 001A	
A0 001C	
A0 001E	

A0 0010	
A0 0012	Coin Counter 1 on
A0 0014	Coin Counter 2 on
A0 0016	
A0 0018	
A0 001A	
A0 001C	
A0 001E	

A8 0000	{R}	/SW2, Sixteen External Switch Inputs
A8 0000	{W}	/WR1, Shifter Interface Latch, D8 - D15

B0 0000	{R}	/RD2, Read 8 Bit A/D
B0 0000	{W}	/WR2, Steering Wheel Latch, D8- D15

B8 0000	{R}	/RD3, Read 12 Bit A/D
B8 0000	{W}	/WR3, A/D Control

D8 - AD12BS	12 Bit A/D Byte Select
D7 - AD12CON	12 Bit A/D Write
D6 - AD12B	12 Bit A/D Address 1
D5 - AD12A	12 Bit A/D Address 0

D3 - ALE, SC	8 Bit A/D Write
D2 - ADDC	8 Bit A/D Address C
D1 - ADDB	8 Bit A/D Address B
D0 - ADDA	8 Bit A/D Address A

RAMEN: Ram and DUART {R/W}

FF 0000	DUART
FF 4000	- FF 4FFE ZRAM (4K Bytes)
FF 8000	- FF BFFF RAM 0 (16K Bytes)
FF C000	- FF FFFF RAM 1 (16K Bytes)

NOTICE TO ALL PERSONS RECEIVING THIS DRAWING

CONFIDENTIAL: Reproduction forbidden without the specific written permission of Atari Games Corporation, Milpitas, CA. This drawing is only conditionally issued and neither receipt nor possession thereof confers or transfers any right in, or license to use, the subject matter of the drawing or any design or technical information shown thereon, nor any right to reproduce this drawing, or any part thereof. Except for manufacture by vendors of Atari Games Corporation, and for manufacture under the corporation's written license, no right is granted to reproduce this drawing or the subject matter thereof, unless by written agreement with or written permission from the corporation.

S.T.U.N. Runner™ Memory Map

