

## Table of Contents

Table of Contents . . . . .	Sheet 1A
System I™ Main Wiring Diagram (043031-01) . . . . .	Sheet 1B
System I Regulator/Audio III PCB Schematic Diagram (043046-01) . . . . .	Sheet 2A
System I Color Raster Power Supply Wiring Diagram (037669-01) . . . . .	Sheet 2B
System I Game Interfaces . . . . .	Sheet 3A
Coin Door Wiring Diagram (A037542-01), Fluorescent Light Wiring Diagram (035833-01)	
System I Video Microprocessor Memory Map . . . . .	Sheet 3B
System I I/O and Sound Microprocessor Memory Map . . . . .	Sheet 4A
<b>System I Game PCB Schematic Diagrams (042854-01), Sheets 4B–9B</b>	
Power Input . . . . .	Sheet 4B
Video Microprocessor, Address Decoder, Watchdog and Reset . . . . .	Sheet 5A
Video Microprocessor Main Memory . . . . .	Sheet 5B
Joystick/Switch Inputs Interface, Microprocessor Communication Ports, Trak-Ball™ Interface, Non-Volatile Memory (NOVRAM), and Switches and Inputs . . . . .	Sheet 6A
I/O and Sound Microprocessor, RAM, Sound Effects, and Address Decoder . . . . .	Sheet 6B
Music, Coin I/O and LED . . . . .	Sheet 7A
System Clock and Sync Generator, Playfield Horizontal Scroll, and Playfield Priority . . . . .	Sheet 7B
Video RAM and Data Buffer, Playfield Vertical Scroll, and Control Register . . . . .	Sheet 8A
Motion Object/Playfield Graphic Address Generator, Alphanumerics, Motion Object Horizontal Line Buffer Control, and Graphic Priority Control . . . . .	Sheet 8B
Motion Object Horizontal Line Buffer . . . . .	Sheet 9A
Color RAM, Monitor Interface . . . . .	Sheet 9B

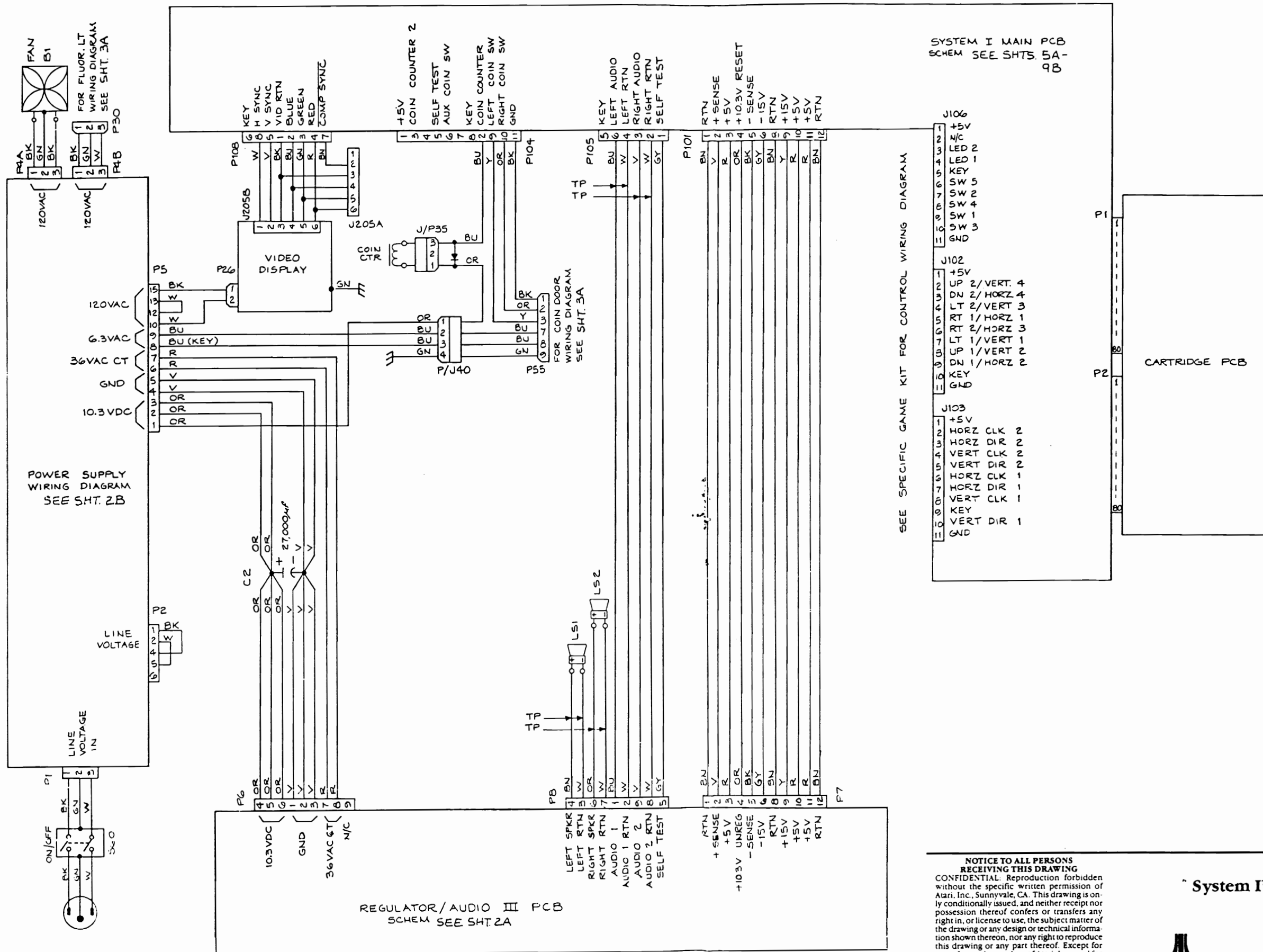
**NOTE**  
This staple temporarily holds the schematic package together. Remove the staple before using these schematics.

## Schematic Package Supplement to

# ATARI SYSTEM I™

## Operators Manual





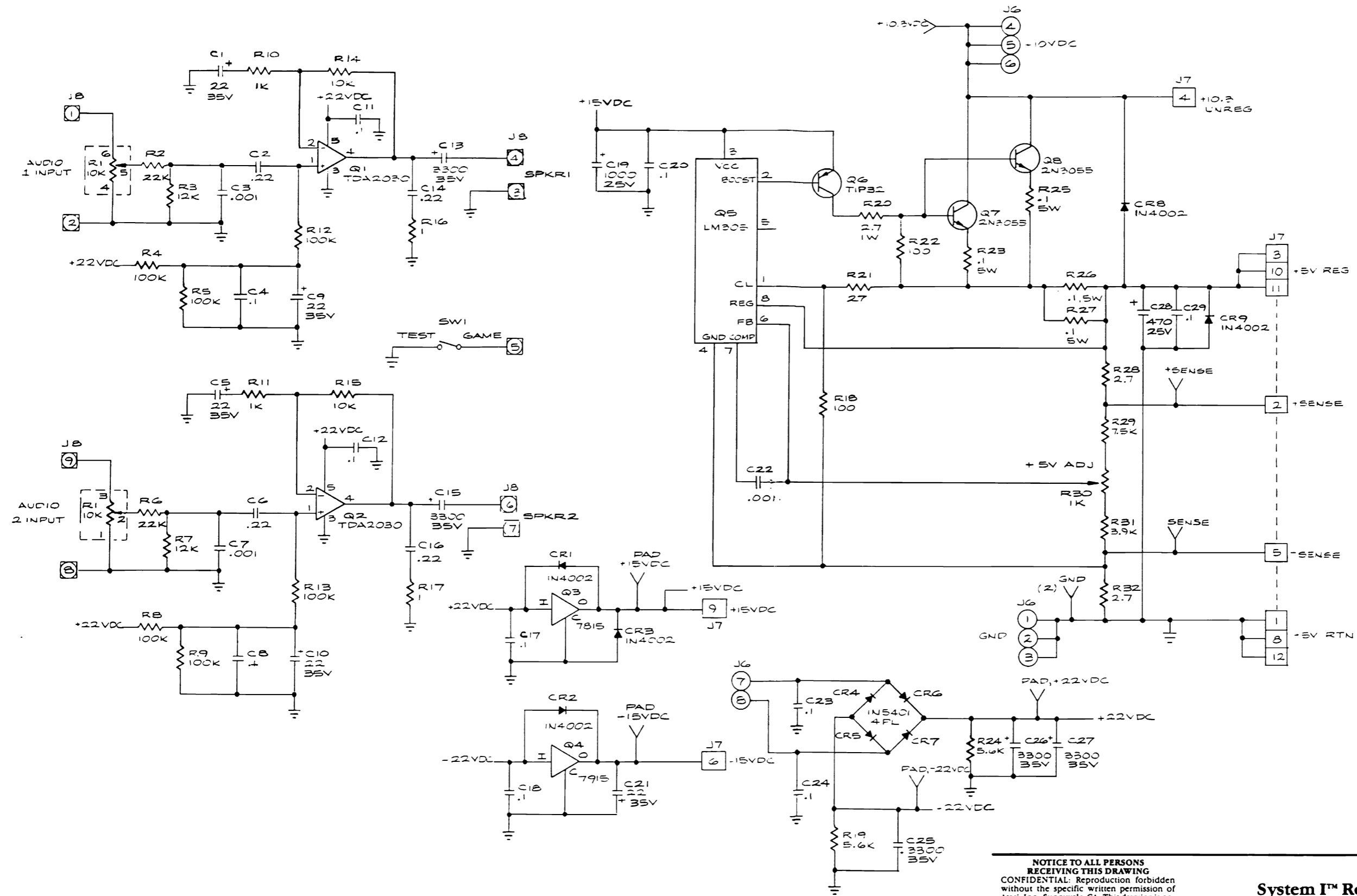
**NOTICE TO ALL PERSONS RECEIVING THIS DRAWING**  
 CONFIDENTIAL. Reproduction forbidden without the specific written permission of Atari, Inc., Sunnyvale, CA. This drawing is only conditionally issued, and neither receipt nor possession thereof confers or transfers any right in, or license to use, the subject matter of the drawing or any design or technical information shown thereon, nor any right to reproduce this drawing or any part thereof. Except for manufacture by vendors of Atari, Inc., and for manufacture under the corporation's written license, no right is granted to reproduce this drawing or the subject matter thereof, unless by written agreement with or written permission from the corporation.

**System I™ Main Wiring Diagram**



A Warner Communications Company

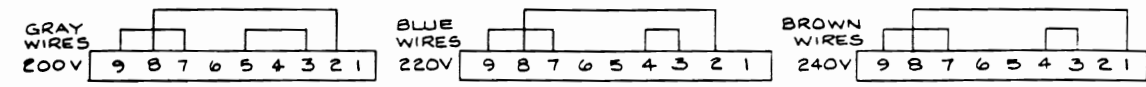
© ATARI INC. 1984



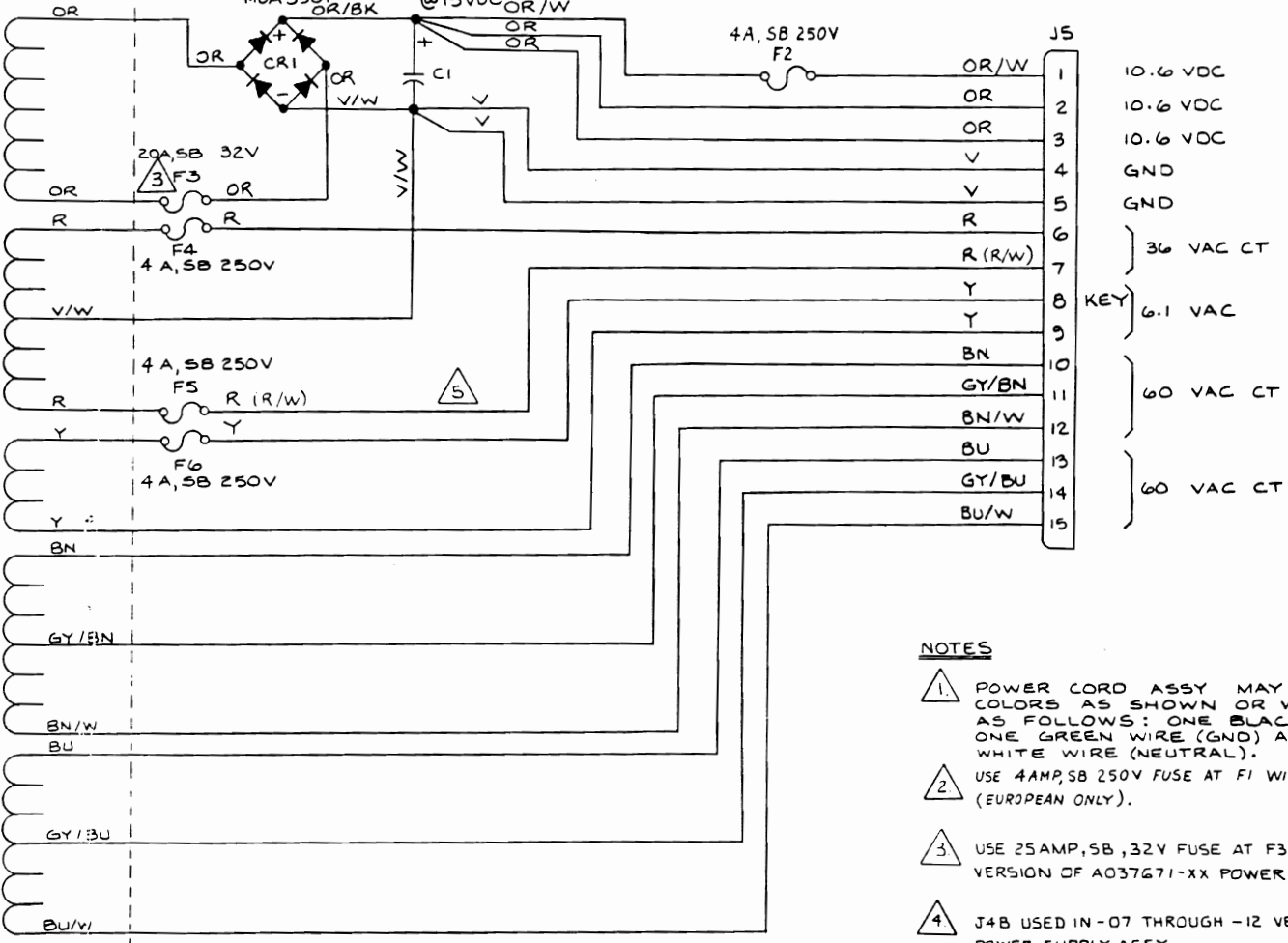
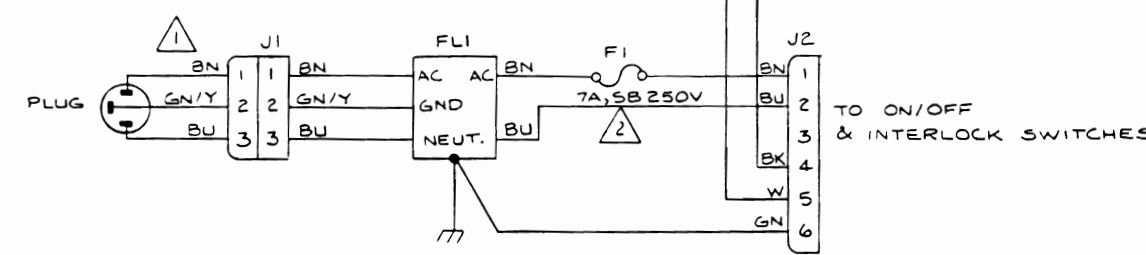
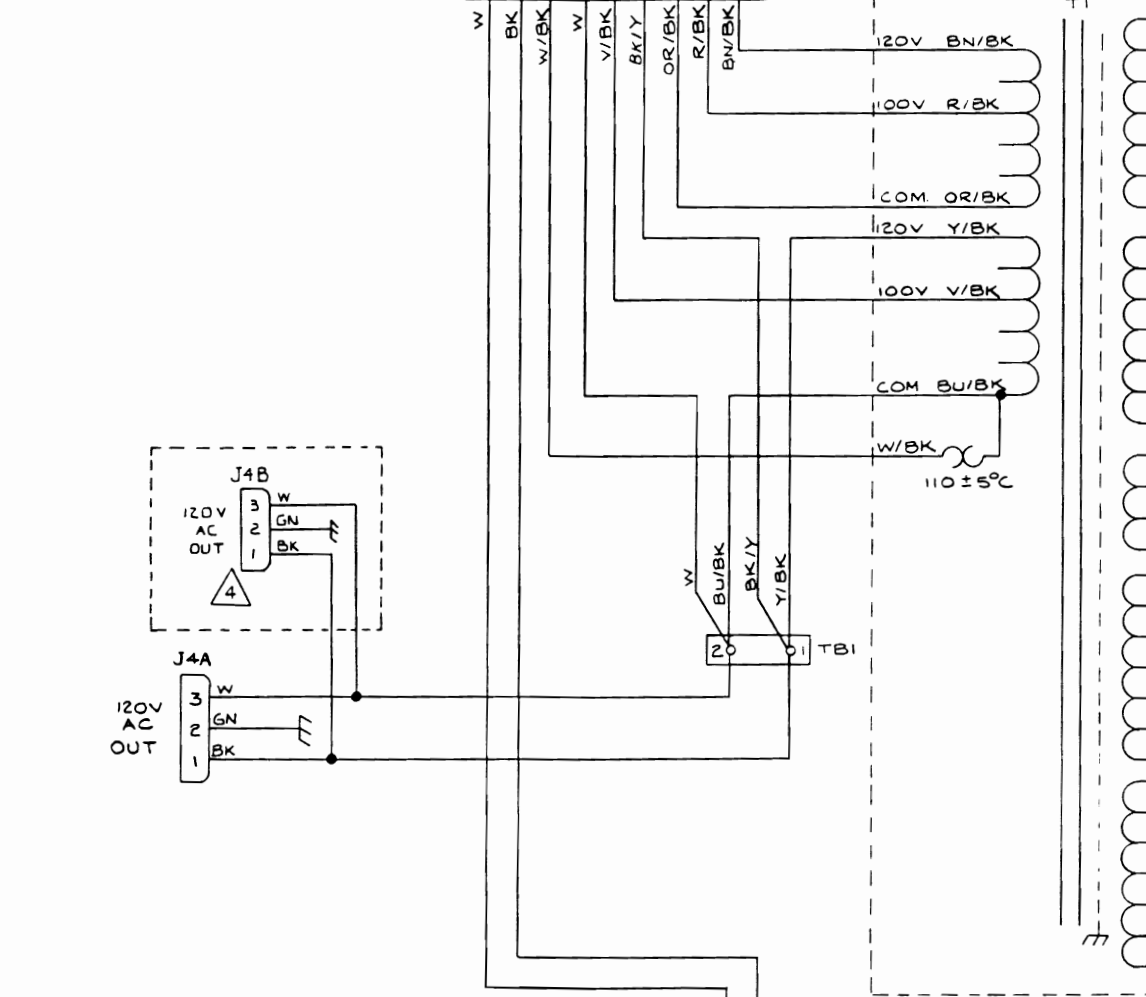
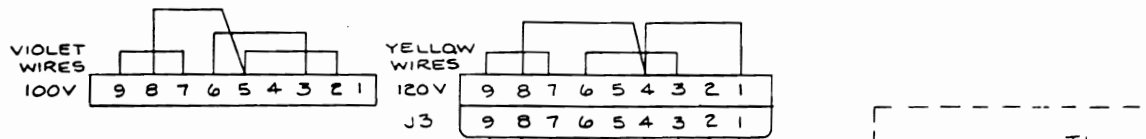
**NOTICE TO ALL PERSONS RECEIVING THIS DRAWING**  
 CONFIDENTIAL: Reproduction forbidden without the specific written permission of Atari, Inc., Sunnyvale, CA. This drawing is only conditionally issued, and neither receipt nor possession thereof confers or transfers any right in, or license to use, the subject matter of the drawing or any design or technical information shown thereon, nor any right to reproduce this drawing or any part thereof. Except for manufacture by vendors of Atari, Inc., and for manufacture under the corporation's written license, no right is granted to reproduce this drawing or the subject matter thereof, unless by written agreement with or written permission from the corporation.

### System I™ Regulator/Audio III PCB Schematic Diagram





VOLTAGE SELECTION BLOCKS

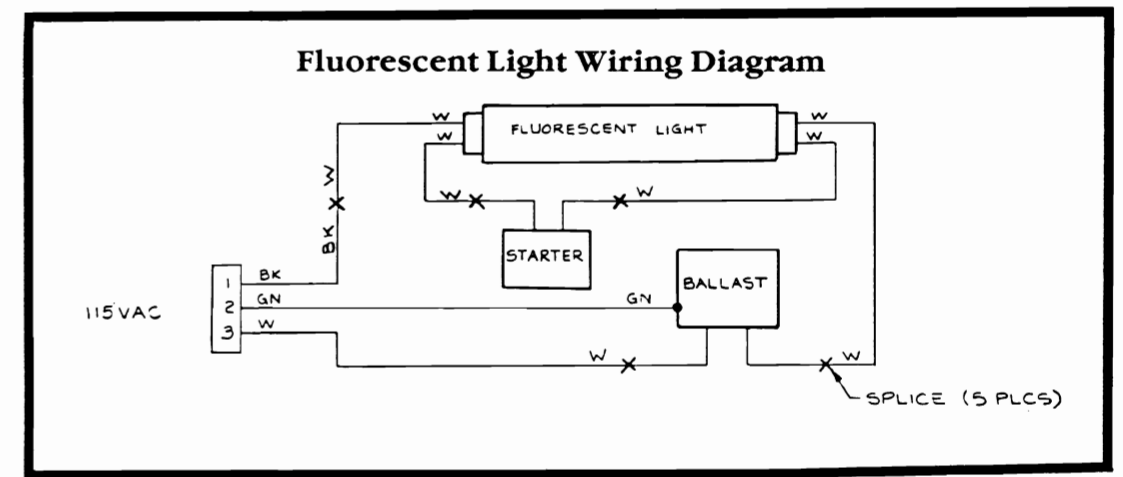
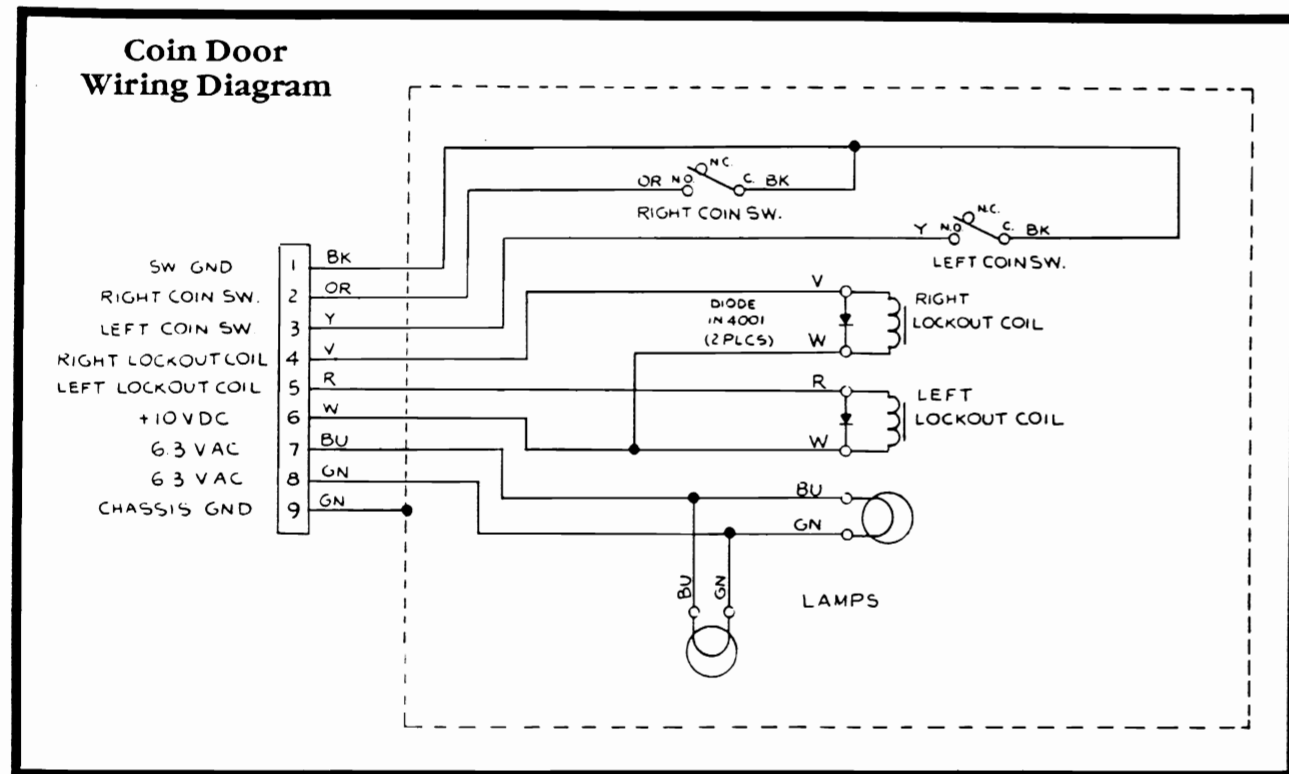


- NOTES**
- 1. POWER CORD ASSY MAY HAVE WIRE COLORS AS SHOWN OR WIRE COLORS AS FOLLOWS: ONE BLACK WIRE (AC), ONE GREEN WIRE (GND) AND ONE WHITE WIRE (NEUTRAL).
  - 2. USE 4AMP, SB 250V FUSE AT F1 WITH 220V & 240V (EUROPEAN ONLY).
  - 3. USE 25AMP, SB, 32V FUSE AT F3 FOR -04, -05, & -06 VERSION OF A037671-XX POWER SUPPLY.
  - 4. J4B USED IN -07 THROUGH -12 VERSION OF A037671-XX POWER SUPPLY ASSY.
  - 5. ALTERNATE WIRE COLOR IS IN PARENTHESES ( ).

**NOTICE TO ALL PERSONS RECEIVING THIS DRAWING**  
 CONFIDENTIAL: Reproduction forbidden without the specific written permission of Atari, Inc., Sunnyvale, CA. This drawing is only conditionally issued, and neither receipt nor possession thereof confers or transfers any right in, or license to use, the subject matter of the drawing or any design or technical information shown thereon, nor any right to reproduce this drawing or any part thereof. Except for manufacture by vendors of Atari, Inc., and for manufacture under the corporation's written license, no right is granted to reproduce this drawing or the subject matter thereof, unless by written agreement with or written permission from the corporation.

### System I™ Color Raster Power Supply Wiring Diagram





**NOTICE TO ALL PERSONS RECEIVING THIS DRAWING**  
 CONFIDENTIAL: Reproduction forbidden without the specific written permission of Atari, Inc., Sunnyvale, CA. This drawing is only conditionally issued, and neither receipt nor possession thereof confers or transfers any right in, or license to use, the subject matter of the drawing or any design or technical information shown thereon, nor any right to reproduce this drawing or any part thereof. Except for manufacture by vendors of Atari, Inc., and for manufacture under the corporation's written license, no right is granted to reproduce this drawing or the subject matter thereof, unless by written agreement with or written permission from the corporation.

### System I™ Game Interfaces





## I/O and Sound Microprocessor Memory Map

FUNCTION	HEXA- DECIMAL ADDRESS	ADDRESS BUS SIGNAL LINES															READ/ WRITE	DATA BUS SIGNAL LINES							
		A15	A14	A13	A12	A11	A10	A9	A8	A7	A6	A5	A4	A3	A2	A1		A0	D7	D6	D5	D4	D3	D2	D1
Program RAM	0000-0FFF	0	0	0	0	A	A	A	A	A	A	A	A	A	A	A	R/W	D	D	D	D	D	D	D	D
Cartridge External	1000-1FFF	0	0	0	1	A	A	A	A	A	A	A	A	A	A	A	R/W	D	D	D	D	D	D	D	D
Music	1800-1801	0	0	0	1	1	0	0	0	0	0	0	0	0	0	A	R/W	D	D	D	D	D	D	D	D
Read 68000 Port	1810	0	0	0	1	1	0	0	0	0	0	0	1	0	0	0	R	D	D	D	D	D	D	D	D
Write 68000 Port	1810	0	0	0	1	1	0	0	0	0	0	0	1	0	0	0	W	D	D	D	D	D	D	D	D
Self-Test	1820	0	0	0	1	1	0	0	0	0	0	1	0	0	0	0	R	D							
Buffer Output Full (@ 1810)		0	0	0	1	1	0	0	0	0	0	0	1	0	0	0	R				D				
Data Available (@ 1810)		0	0	0	1	1	0	0	0	0	0	0	1	0	0	0	R					D			
Auxiliary Coin Switch		0	0	0	1	1	0	0	0	0	0	0	1	0	0	0	R						D		
Left Coin Switch		0	0	0	1	1	0	0	0	0	0	0	1	0	0	0	R							D	
Right Coin Switch		0	0	0	1	1	0	0	0	0	0	0	1	0	0	0	R								D
Music Reset	1820	0	0	0	1	1	0	0	0	0	0	1	0	0	0	0	W								D
Light-Emitting Diode	1824	0	0	0	1	1	0	0	0	0	0	1	0	0	1	0	W								D
Light-Emitting Diode	1825	0	0	0	1	1	0	0	0	0	0	1	0	0	1	0	W								D
Right Coin Counter	1826	0	0	0	1	1	0	0	0*	0	0	1	0	0	1	1	W								D
Left Coin Counter	1827	0	0	0	1	1	0	0	0	0	0	1	0	0	1	1	W								D
Sound Effects	1870-187F	0	0	0	1	1	0	0	0	0	1	1	1	A	A	A	R/W	D	D	D	D	D	D	D	D
Program ROM	4000-FFFF	A	A	A	A	A	A	A	A*	A	A	A	A	A	A	A	R	D	D	D	D	D	D	D	D

**NOTICE TO ALL PERSONS RECEIVING THIS DRAWING**  
 CONFIDENTIAL. Reproduction forbidden without the specific written permission of Atari, Inc., Sunnyvale, CA. This drawing is only conditionally issued, and neither receipt nor possession thereof confers or transfers any right in, or license to use, the subject matter of the drawing or any design or technical information shown thereon, nor any right to reproduce this drawing or any part thereof. Except for manufacture by vendors of Atari, Inc., and for manufacture under the corporation's written license, no right is granted to reproduce this drawing or the subject matter thereof, unless by written agreement with or written permission from the corporation.

### System I™ I/O and Sound Microprocessor Memory Map

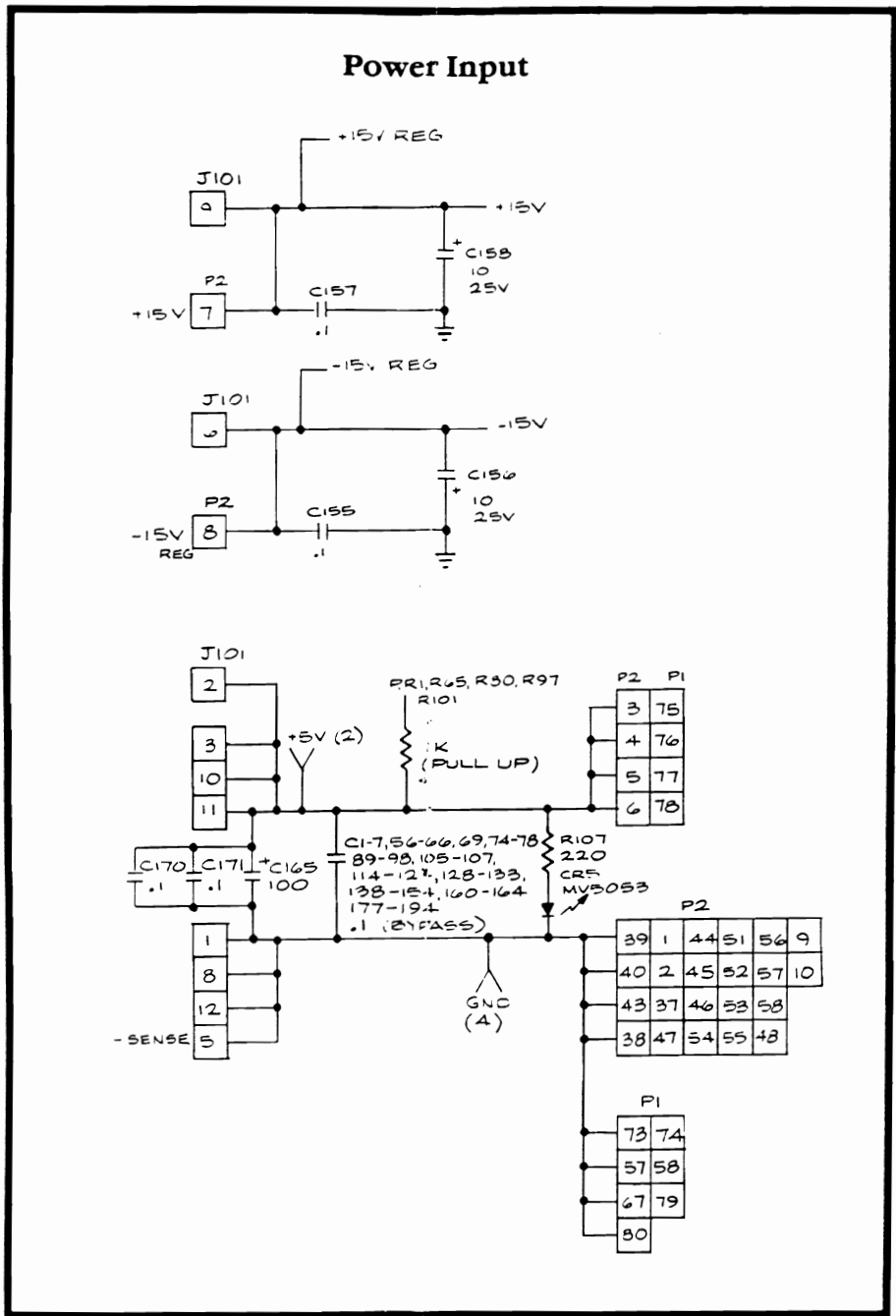


© A Warner Communications Company

© ATARI INC. 1984

SP-276 Sheet 4A  
1st printing

### Power Input



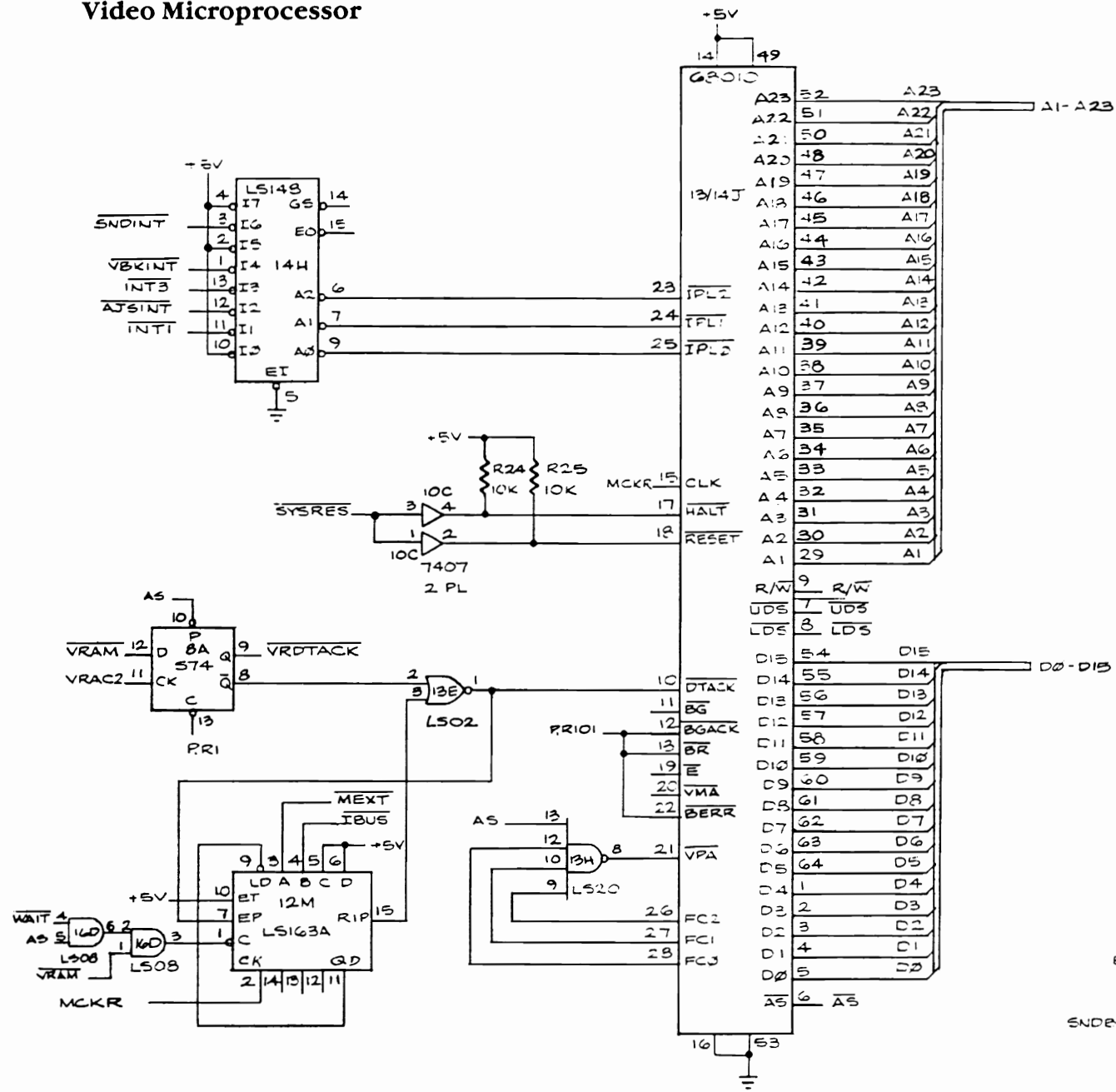
**NOTICE TO ALL PERSONS RECEIVING THIS DRAWING**  
 CONFIDENTIAL. Reproduction forbidden without the specific written permission of Atari, Inc., Sunnyvale, CA. This drawing is only conditionally issued, and neither receipt nor possession thereof confers or transfers any right in, or license to use, the subject matter of the drawing or any design or technical information shown thereon, nor any right to reproduce this drawing or any part thereof. Except for manufacture by vendors of Atari, Inc., and for manufacture under the corporation's written license, no right is granted to reproduce this drawing or the subject matter thereof, unless by written agreement with or written permission from the corporation.

### System I™ Main PCB Schematic Diagram

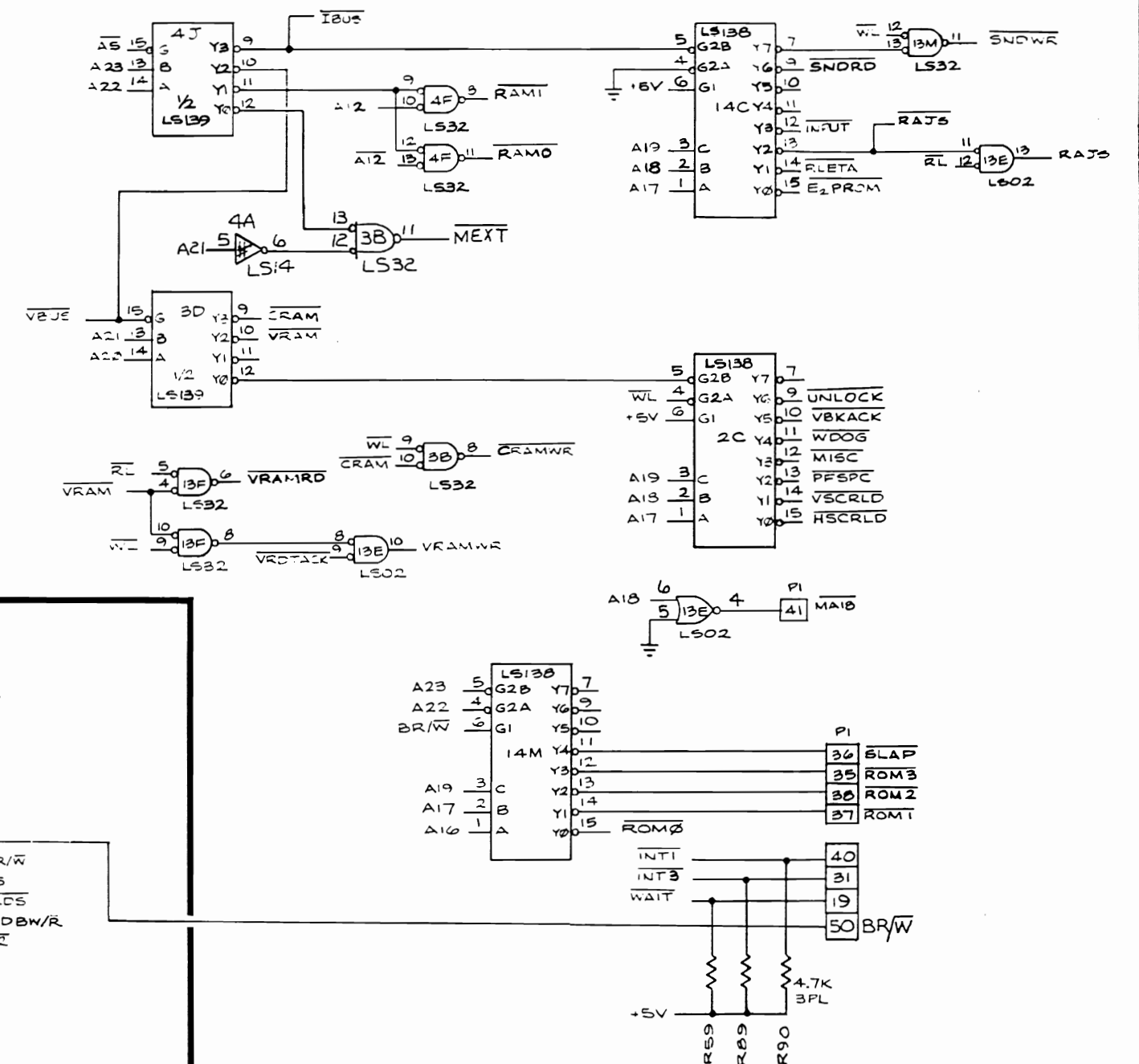




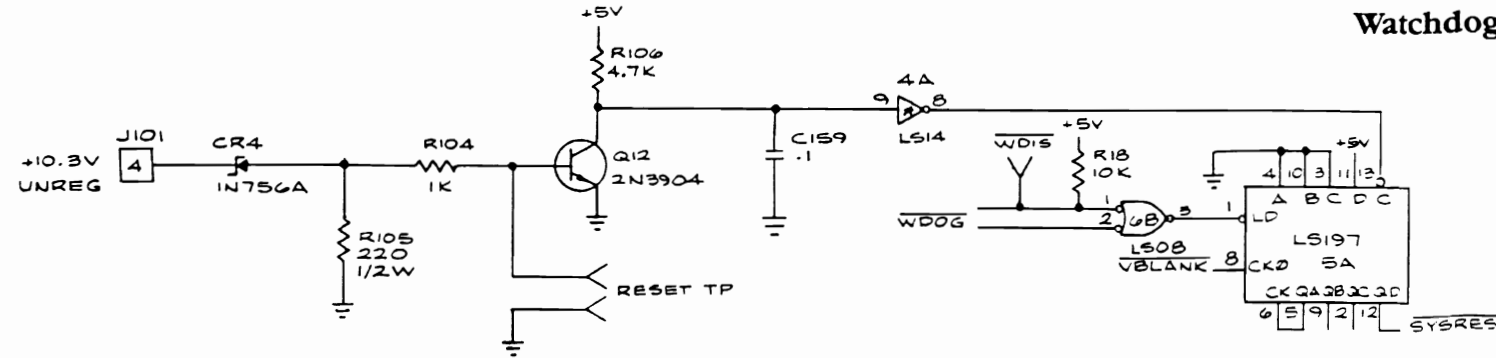
### Video Microprocessor



### Address Decoder



### Watchdog and Reset



**NOTICE TO ALL PERSONS RECEIVING THIS DRAWING**  
 CONFIDENTIAL. Reproduction forbidden without the specific written permission of Atari, Inc., Sunnyvale, CA. This drawing is only conditionally issued, and neither receipt nor possession thereof confers or transfers any right in, or license to use, the subject matter of the drawing or any design or technical information shown thereon, nor any right to reproduce this drawing or any part thereof. Except for manufacture by vendors of Atari, Inc., and for manufacture under the corporation's written license, no right is granted to reproduce this drawing or the subject matter thereof, unless by written agreement with or written permission from the corporation.

### System I™ Main PCB Schematic Diagram

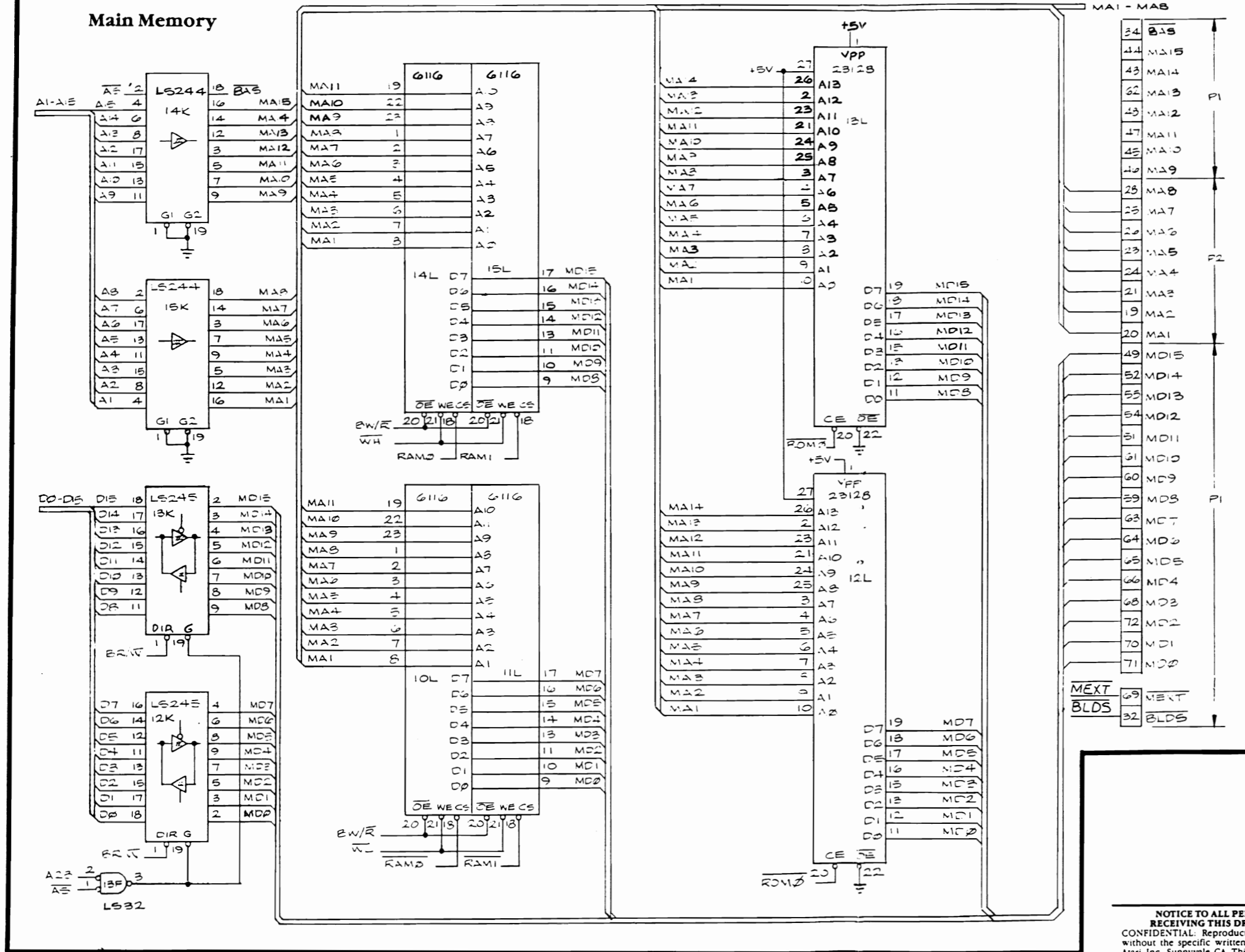


© ATARI INC. 1984

SP-277 Sheet 5A  
 1st printing

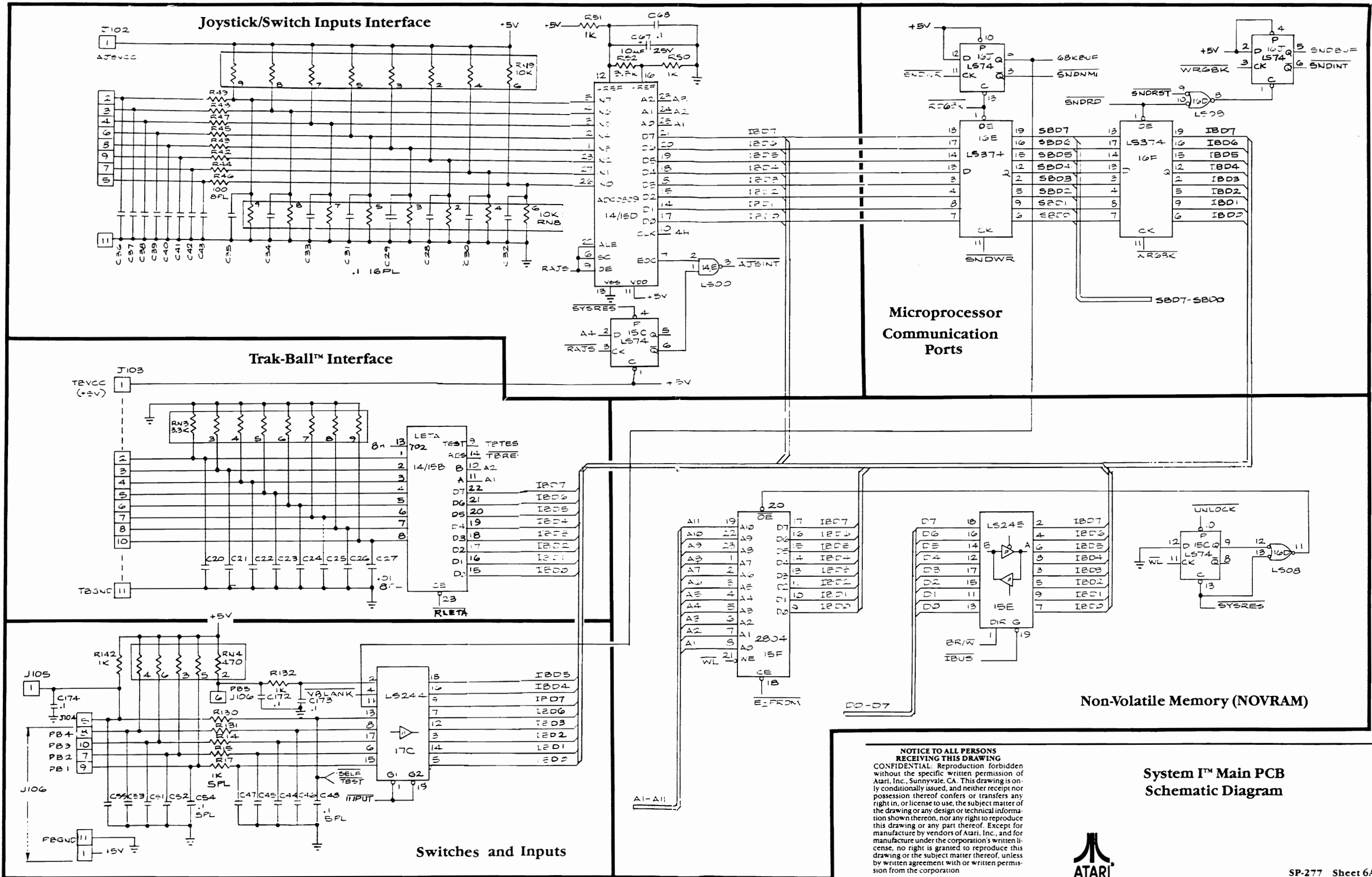
**Video Microprocessor**

**Main Memory**



**NOTICE TO ALL PERSONS RECEIVING THIS DRAWING**  
 CONFIDENTIAL: Reproduction forbidden without the specific written permission of Atari, Inc., Sunnyvale, CA. This drawing is only conditionally issued, and neither receipt nor possession thereof confers or transfers any right in, or license to use, the subject matter of the drawing or any design or technical information shown thereon, nor any right to reproduce this drawing or any part thereof. Except for manufacture by vendors of Atari, Inc., and for manufacture under the corporation's written license, no right is granted to reproduce this drawing or the subject matter thereof, unless by written agreement with or written permission from the corporation.

**System I™ Main PCB Schematic Diagram**



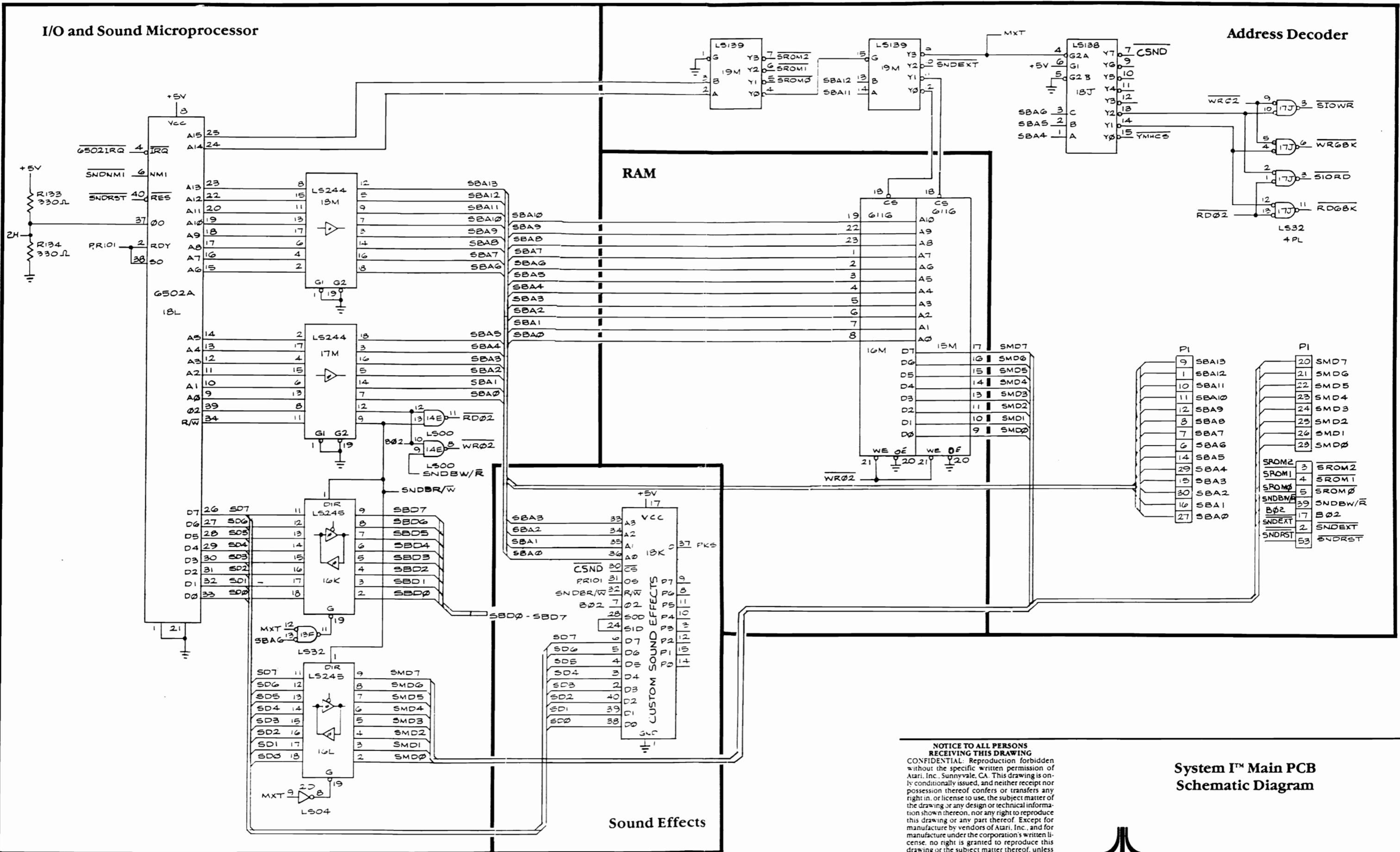
**NOTICE TO ALL PERSONS RECEIVING THIS DRAWING**  
 CONFIDENTIAL. Reproduction forbidden without the specific written permission of Atari, Inc., Sunnyvale, CA. This drawing is only conditionally issued, and neither receipt nor possession thereof confers or transfers any right in, or license to use, the subject matter of the drawing or any design or technical information shown thereon, nor any right to reproduce this drawing or any part thereof. Except for manufacture by vendors of Atari, Inc., and for manufacture under the corporation's written license, no right is granted to reproduce this drawing or the subject matter thereof, unless by written agreement with or written permission from the corporation.



**System I™ Main PCB Schematic Diagram**

I/O and Sound Microprocessor

Address Decoder

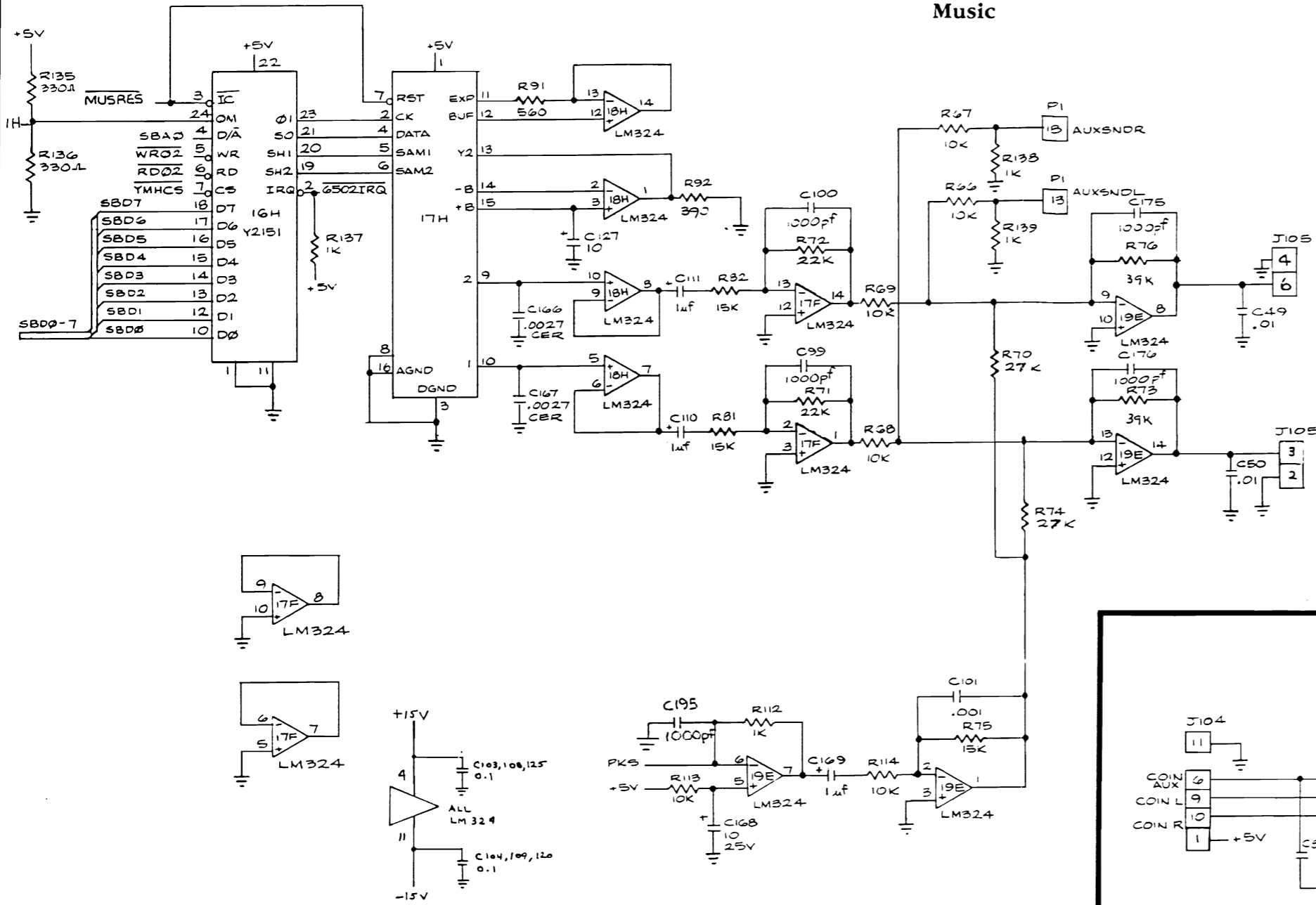


**NOTICE TO ALL PERSONS RECEIVING THIS DRAWING**  
 CONFIDENTIAL: Reproduction forbidden without the specific written permission of Atari, Inc., Sunnyvale, CA. This drawing is only conditionally issued, and neither receipt nor possession thereof confers or transfers any right in, or license to use, the subject matter of the drawing or any design or technical information shown thereon, nor any right to reproduce this drawing or any part thereof. Except for manufacture by vendors of Atari, Inc., and for manufacture under the corporation's written license, no right is granted to reproduce this drawing or the subject matter thereof, unless by written agreement with or written permission from the corporation.

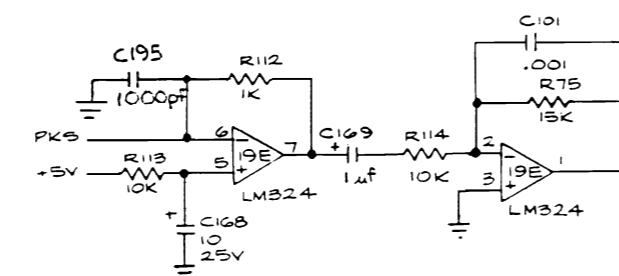
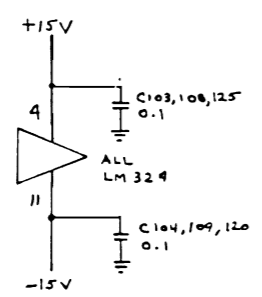
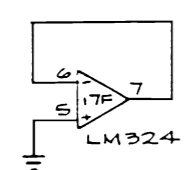
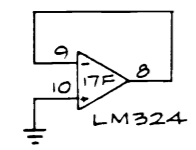
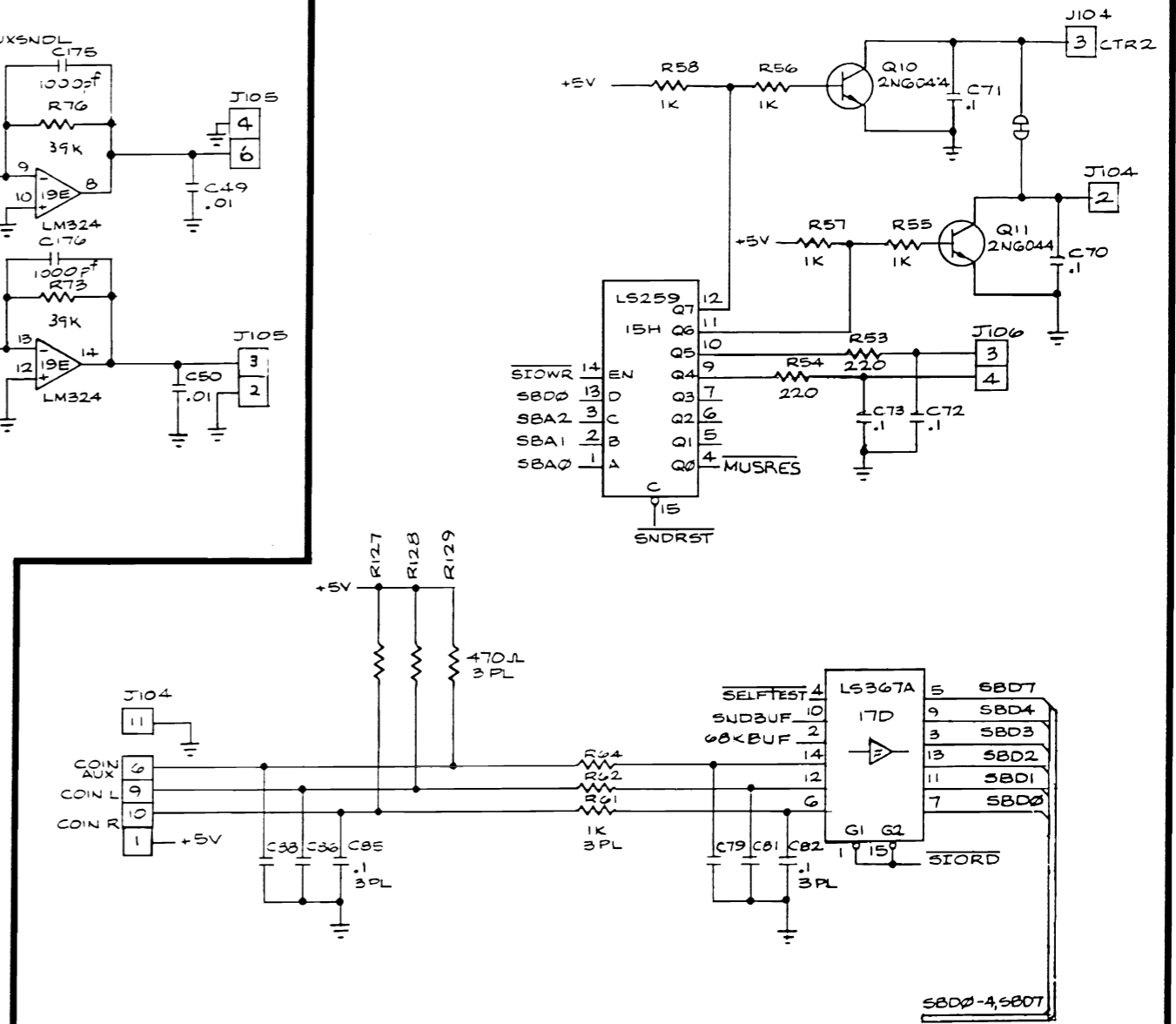
System I™ Main PCB Schematic Diagram



Music



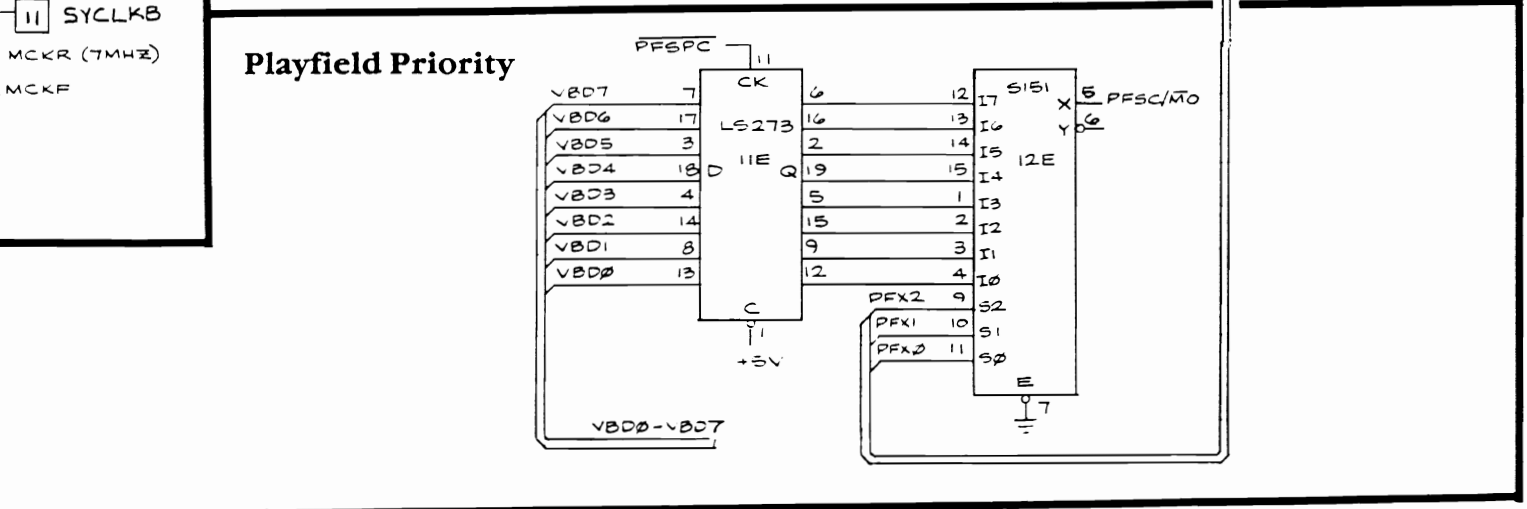
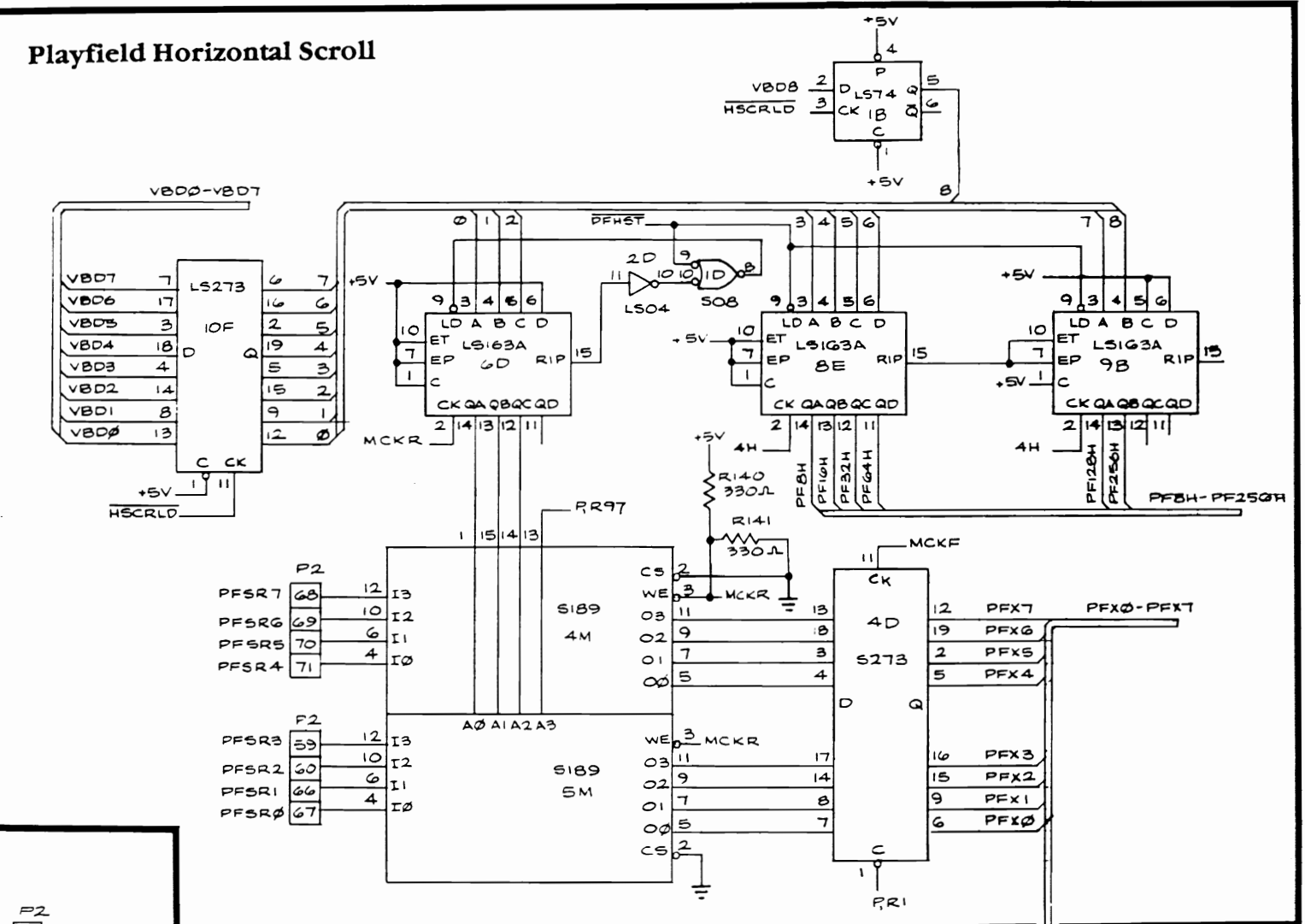
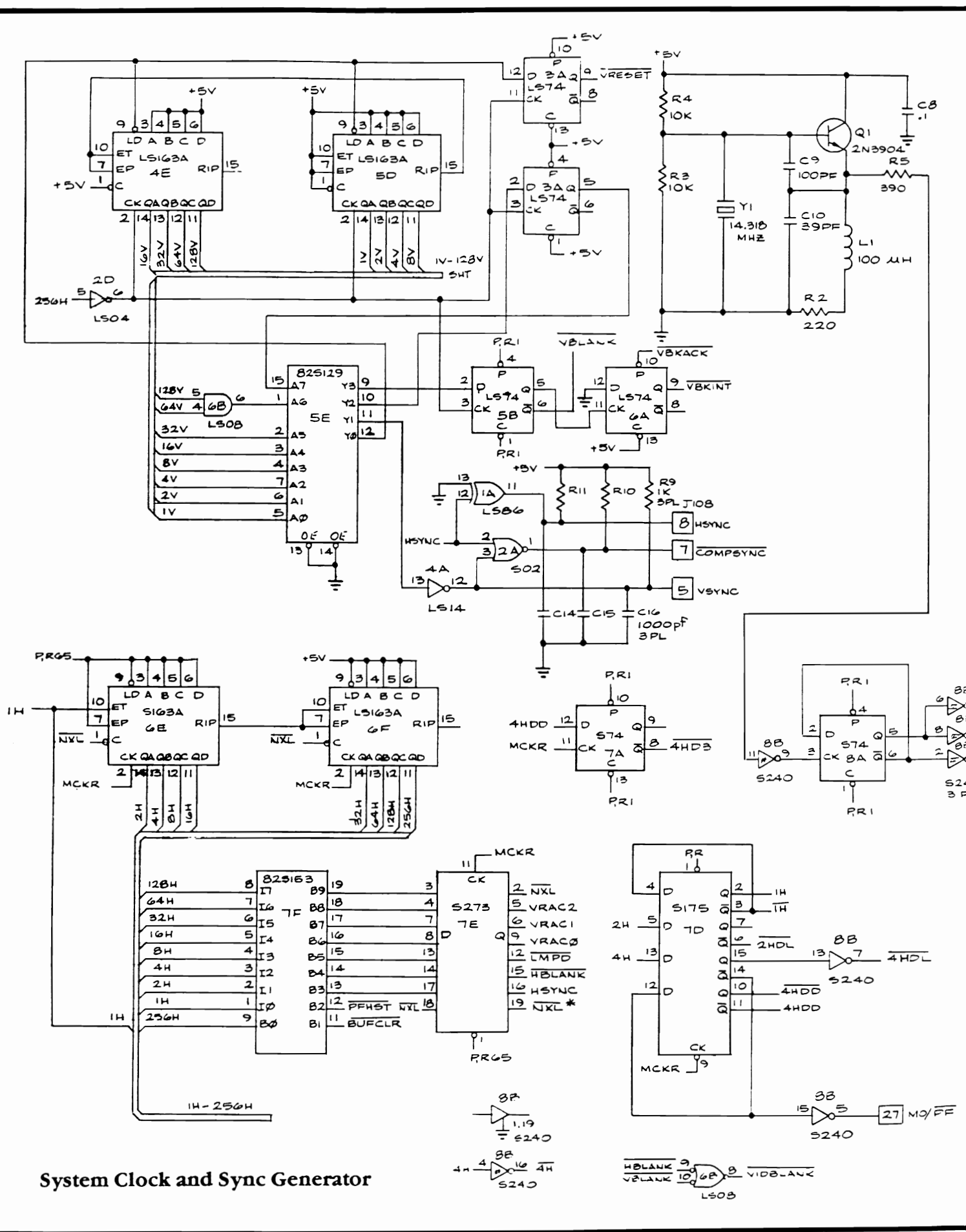
Coin I/O and LED



**NOTICE TO ALL PERSONS RECEIVING THIS DRAWING**  
 CONFIDENTIAL. Reproduction forbidden without the specific written permission of Atari, Inc., Sunnyvale, CA. This drawing is only conditionally issued, and neither receipt nor possession thereof confers or transfers any right in, or license to use, the subject matter of the drawing or any design or technical information shown thereon, nor any right to reproduce this drawing or any part thereof. Except for manufacture by vendors of Atari, Inc., and for manufacture under the corporation's written license, no right is granted to reproduce this drawing or the subject matter thereof, unless by written agreement with or written permission from the corporation.

System™ Main PCB Schematic Diagram





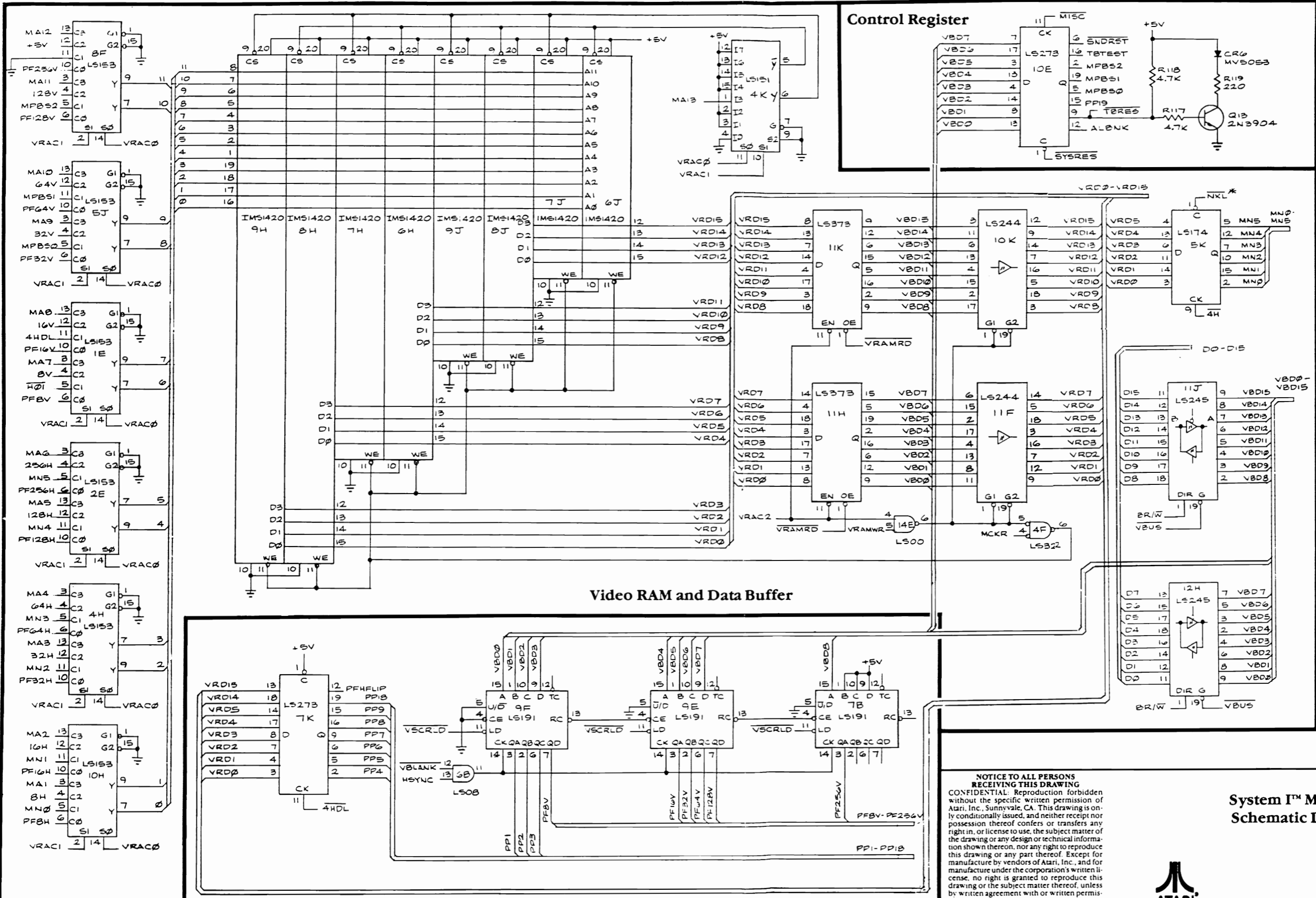
**NOTICE TO ALL PERSONS RECEIVING THIS DRAWING**  
 CONFIDENTIAL: Reproduction forbidden without the specific written permission of Atari, Inc., Sunnyvale, CA. This drawing is only conditionally issued, and neither receipt nor possession thereof confers or transfers any right in, or license to use, the subject matter of the drawing or any design or technical information shown thereon, nor any right to reproduce this drawing or any part thereof. Except for manufacture by vendors of Atari, Inc., and for manufacture under the corporation's written license, no right is granted to reproduce this drawing or the subject matter thereof, unless by written agreement with or written permission from the corporation.

**System I™ Main PCB Schematic Diagram**

**ATARI**  
 A Warner Communications Company

© ATARI INC. 1984

SP-277 Sheet 7B  
 1st printing



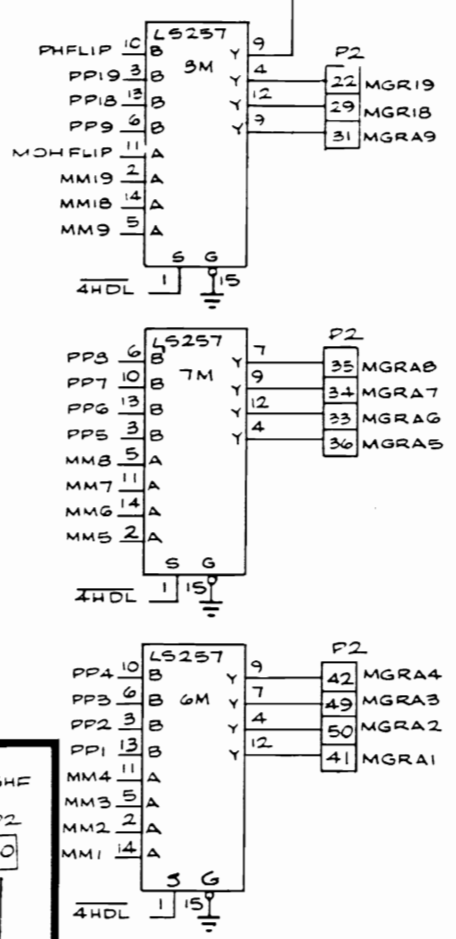
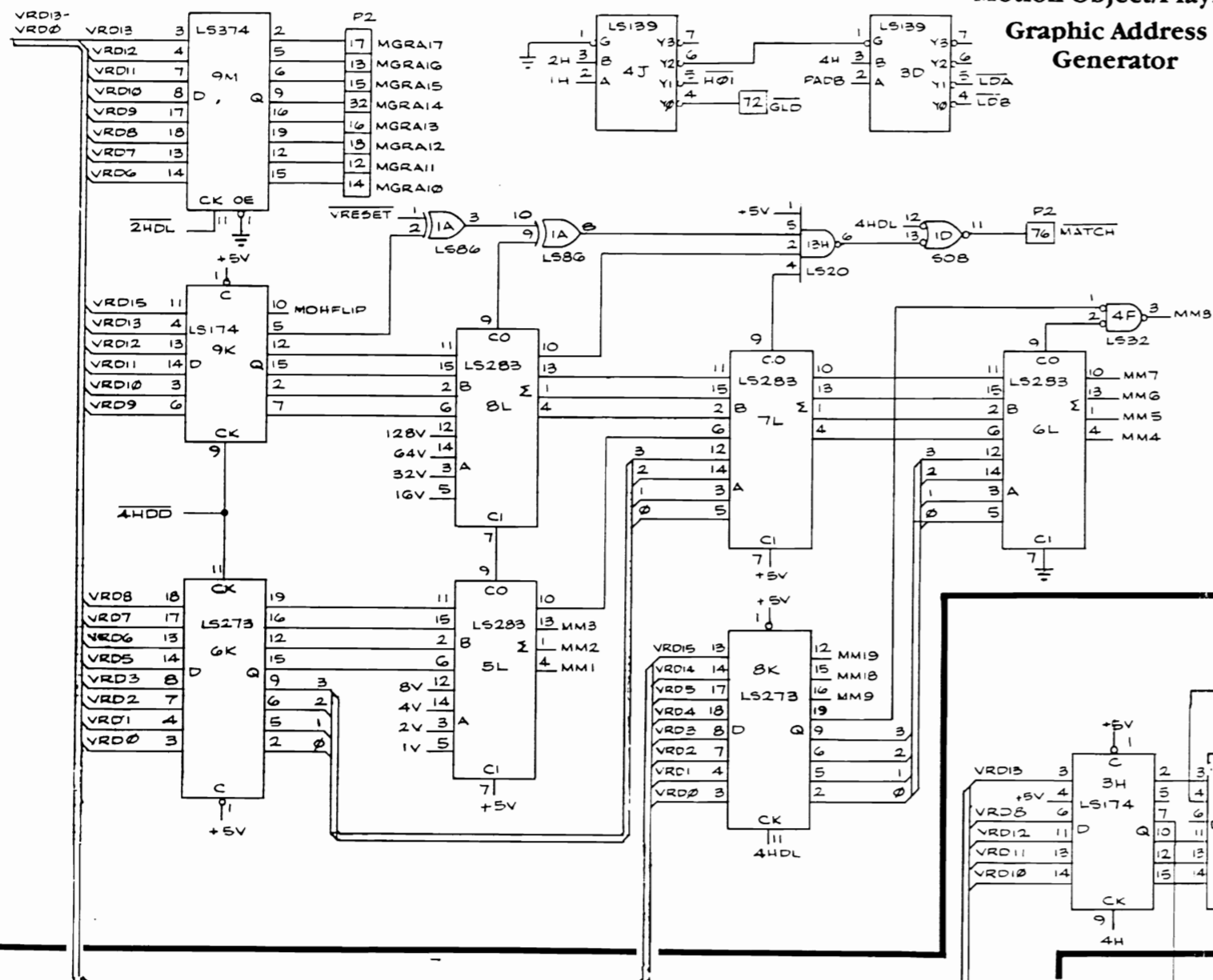
**NOTICE TO ALL PERSONS RECEIVING THIS DRAWING**  
 CONFIDENTIAL: Reproduction forbidden without the specific written permission of Atari, Inc., Sunnyvale, CA. This drawing is only conditionally issued, and neither receipt nor possession thereof confers or transfers any right in, or license to use, the subject matter of the drawing or any design or technical information shown thereon, nor any right to reproduce this drawing or any part thereof. Except for manufacture by vendors of Atari, Inc., and for manufacture under the corporation's written license, no right is granted to reproduce this drawing or the subject matter thereof, unless by written agreement with or written permission from the corporation.

**System I™ Main PCB Schematic Diagram**

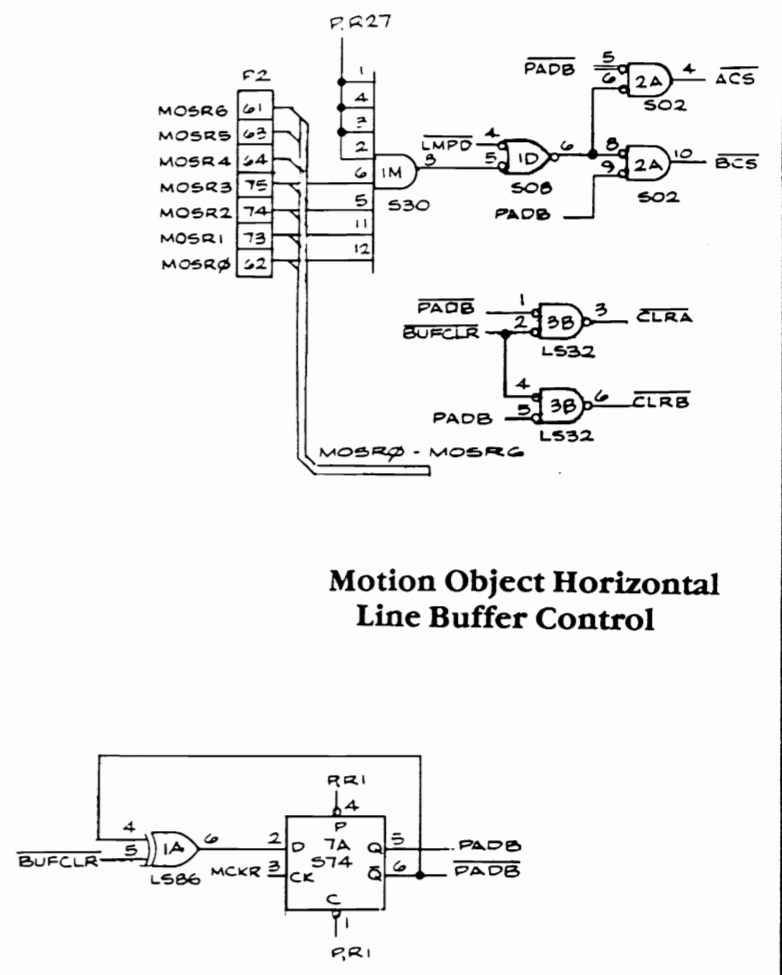




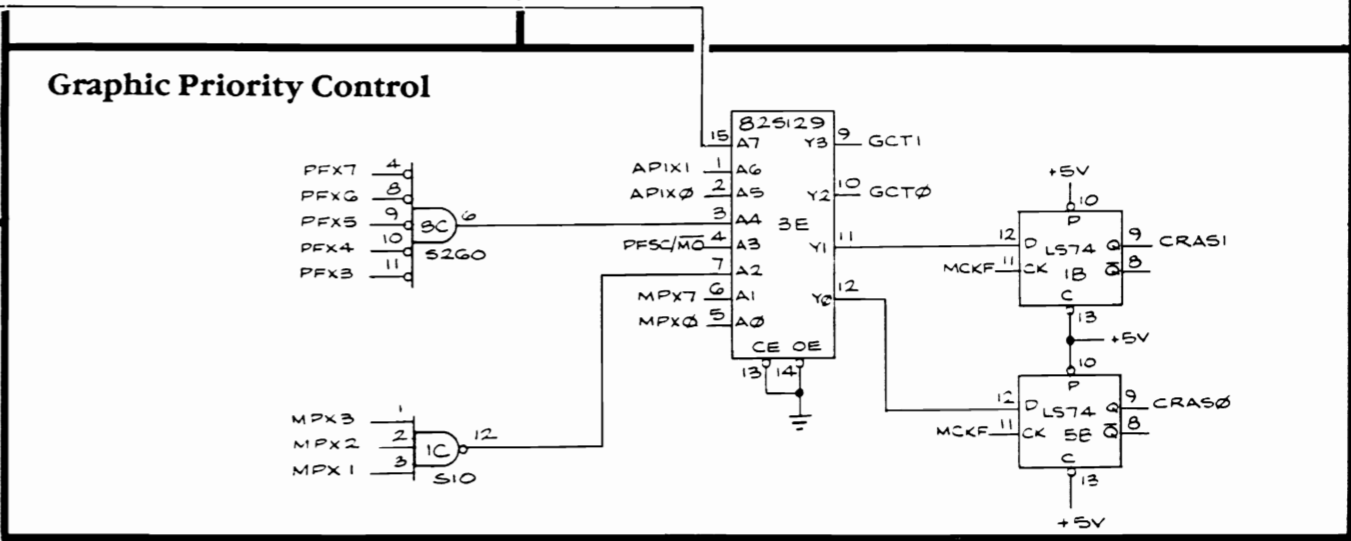
### Motion Object/Playfield Graphic Address Generator



### Motion Object Horizontal Line Buffer Control



### Graphic Priority Control



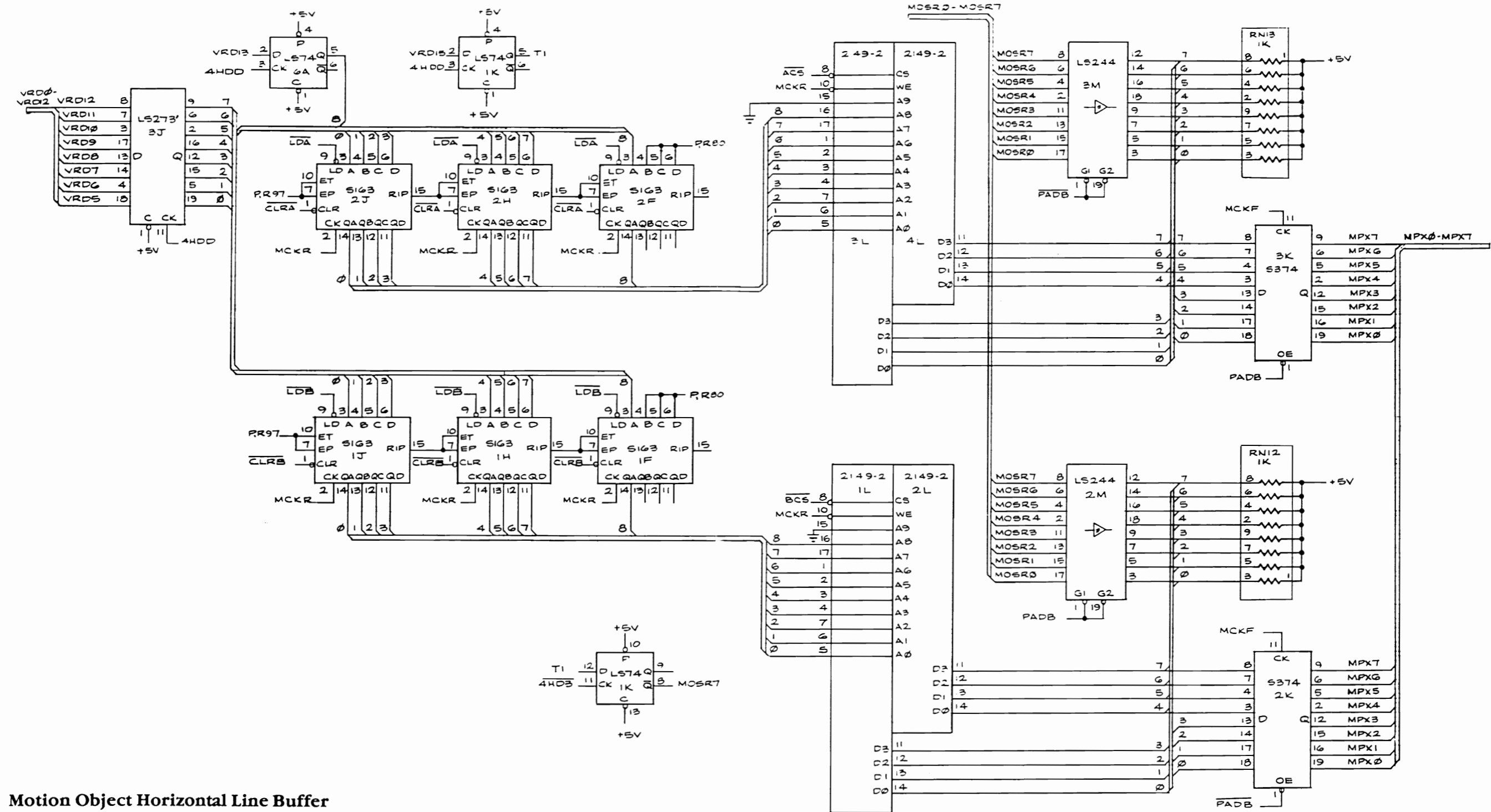
**NOTICE TO ALL PERSONS RECEIVING THIS DRAWING**  
 CONFIDENTIAL: Reproduction forbidden without the specific written permission of Atari, Inc., Sunnyvale, CA. This drawing is only conditionally issued, and neither receipt nor possession thereof confers or transfers any right in, or license to use, the subject matter of the drawing or any design or technical information shown thereon, nor any right to reproduce this drawing or any part thereof. Except for manufacture by vendors of Atari, Inc., and for manufacture under the corporation's written license, no right is granted to reproduce this drawing or the subject matter thereof, unless by written agreement with or written permission from the corporation.

Alphanumeric

### System I™ Main PCB Schematic Diagram







Motion Object Horizontal Line Buffer

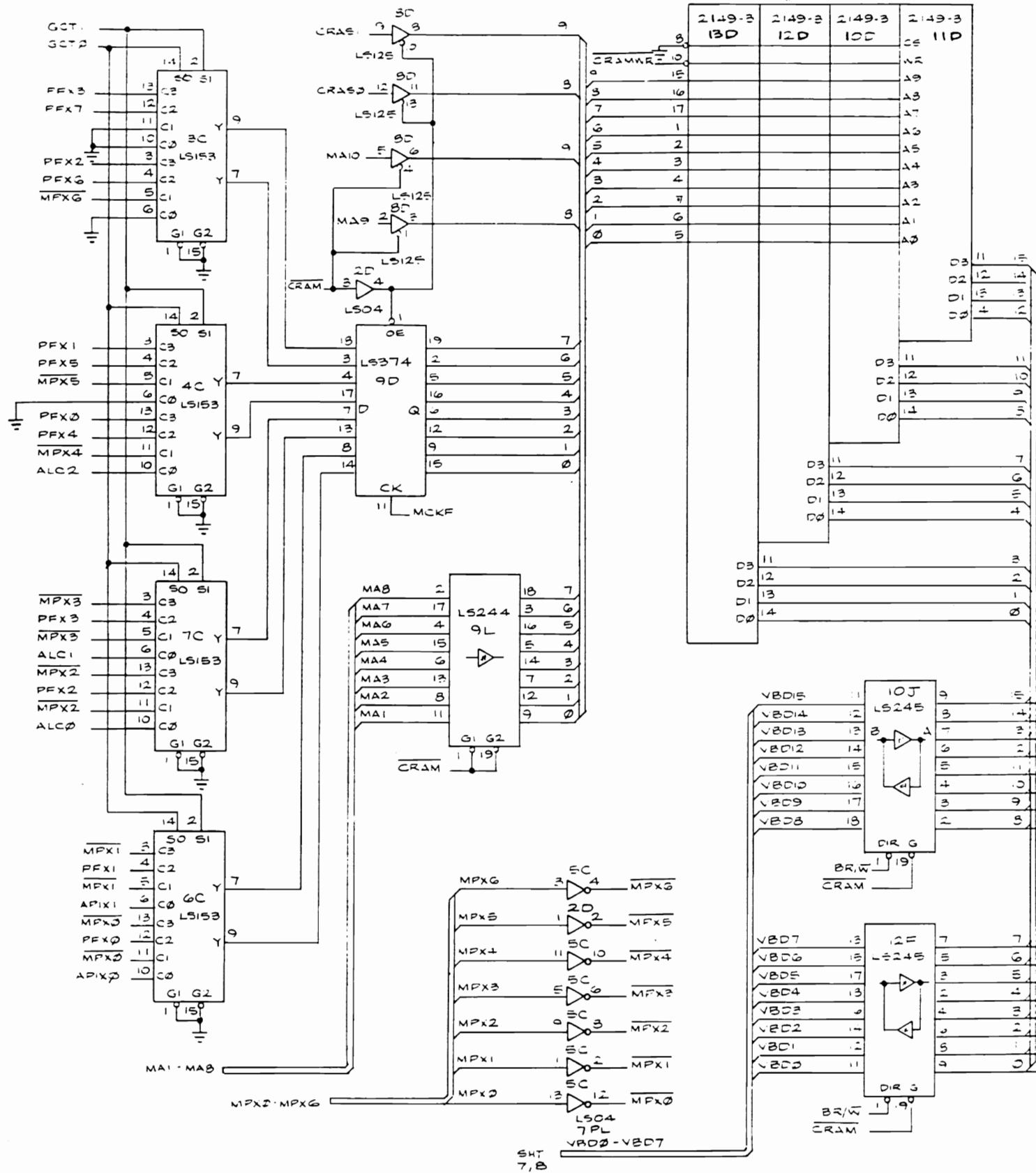
**NOTICE TO ALL PERSONS RECEIVING THIS DRAWING**  
 CONFIDENTIAL: Reproduction forbidden without the specific written permission of Atari Games, Inc., Sunnyvale, CA. This drawing is only conditionally issued, and neither receipt nor possession thereof confers or transfers any right in, or license to use, the subject matter of the drawing or any design or technical information shown thereon, nor any right to reproduce this drawing or any part thereof. Except for manufacture by vendors of Atari Games, Inc., and for manufacture under the corporation's written license, no right is granted to reproduce this drawing or the subject matter thereof, unless by written agreement with or written permission from the corporation.

**System I™ Main PCB Schematic Diagram**

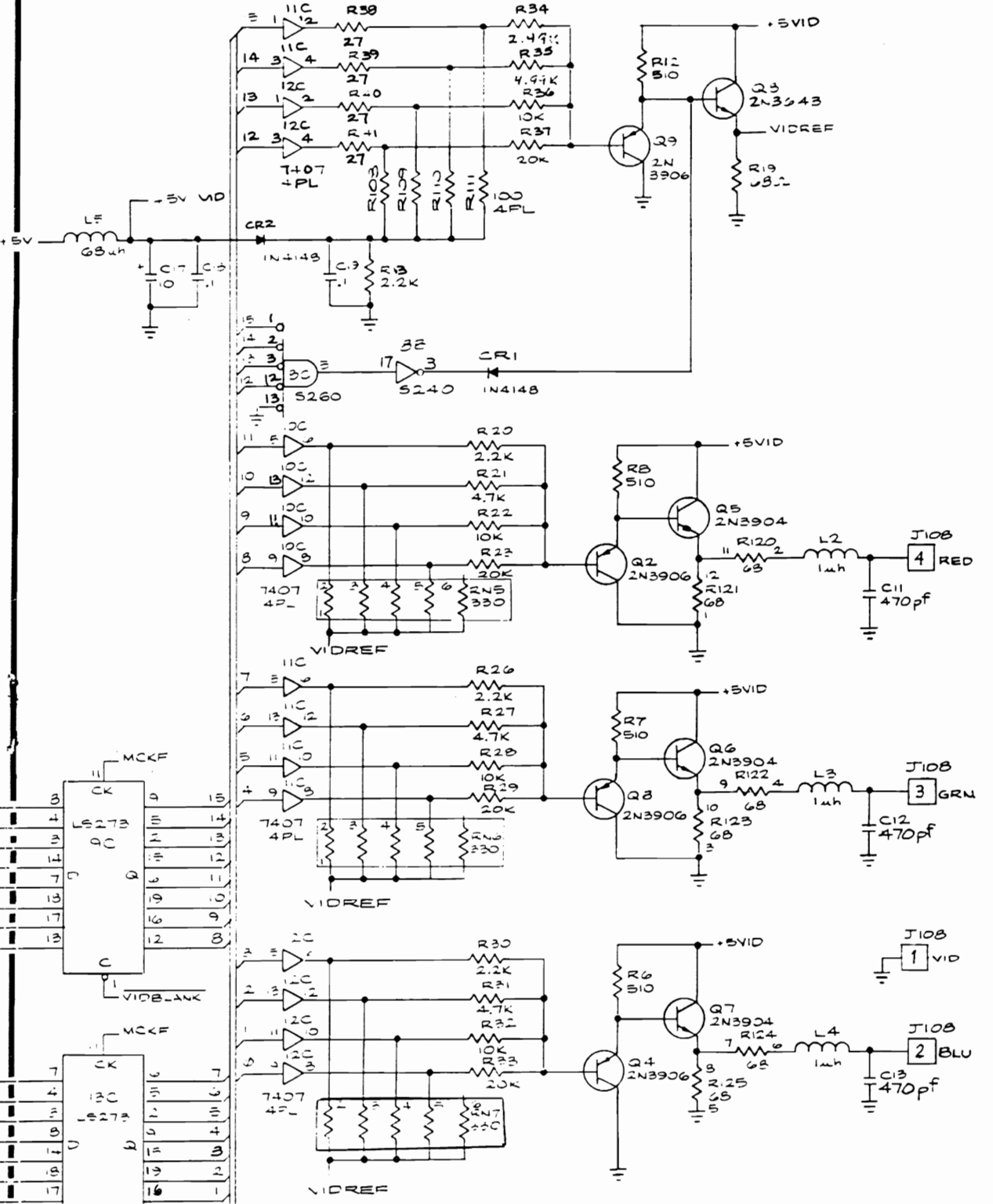


© Atari Games, Inc. 1984

### Color RAM



### Monitor Interface



**NOTICE TO ALL PERSONS RECEIVING THIS DRAWING**  
 CONFIDENTIAL. Reproduction forbidden without the specific written permission of Atari Games, Inc., Sunnyvale, CA. This drawing is only conditionally issued, and neither receipt nor possession thereof confers or transfers any right in, or license to use, the subject matter of the drawing or any design or technical information shown thereon, nor any right to reproduce this drawing or any part thereof. Except for manufacture by vendors of Atari Games, Inc., and for manufacture under the corporation's written license, no right is granted to reproduce this drawing or the subject matter thereof, unless by written agreement with or written permission from the corporation.

### System I™ Main PCB Schematic Diagram