

Table of Contents

System I™ LSI Main PCB Schematic Diagrams (A043096-01) Sheets 1-10

System I Main Wiring Diagram (043453-01) Sheet 11

System I Audio II PCB Schematic Diagram (043661-01) Sheet 12

System I Switching/Linear Power Supply Wiring Diagram (043364-01) Sheet 13

System I Game Interfaces Sheet 14
 Coin Door Wiring Diagram (A037542-01)
 Fluorescent Light Wiring Diagram (035883-01)

System I Video Microprocessor Memory Map Sheet 15

System I I/O and Sound Microprocessor Memory Map Sheet 16

NOTE

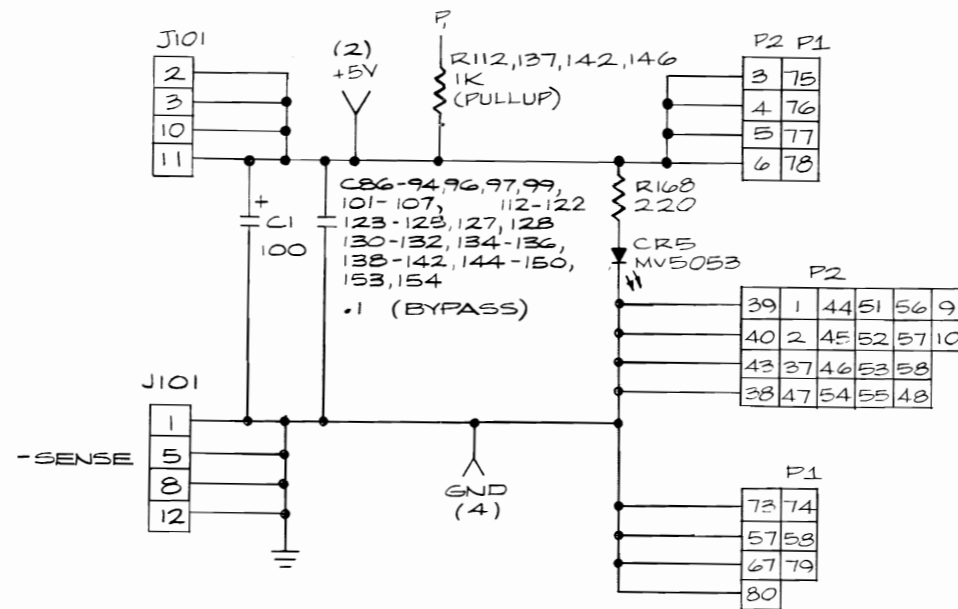
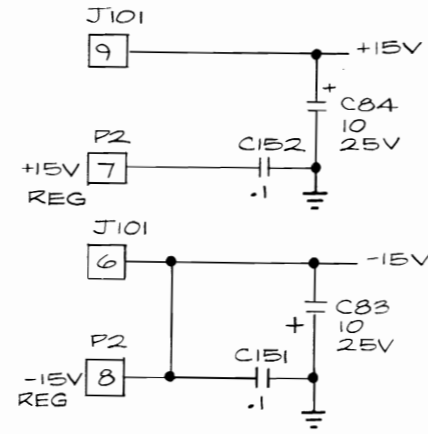
The System I LSI Main PCB is very different from its equivalent (the TTL Main PCB) that was used in older System I cabinets. The LSI Main PCB is used in cabinets made after February 1986. When using this schematic package, make sure that you are working on an *LSI* Main PCB, not a TTL Main PCB.

Schematic Package Supplement to **ATARI SYSTEM I™** Operators Manual

NOTE

This staple temporarily holds the schematic package together. Remove the staple before using these schematics.

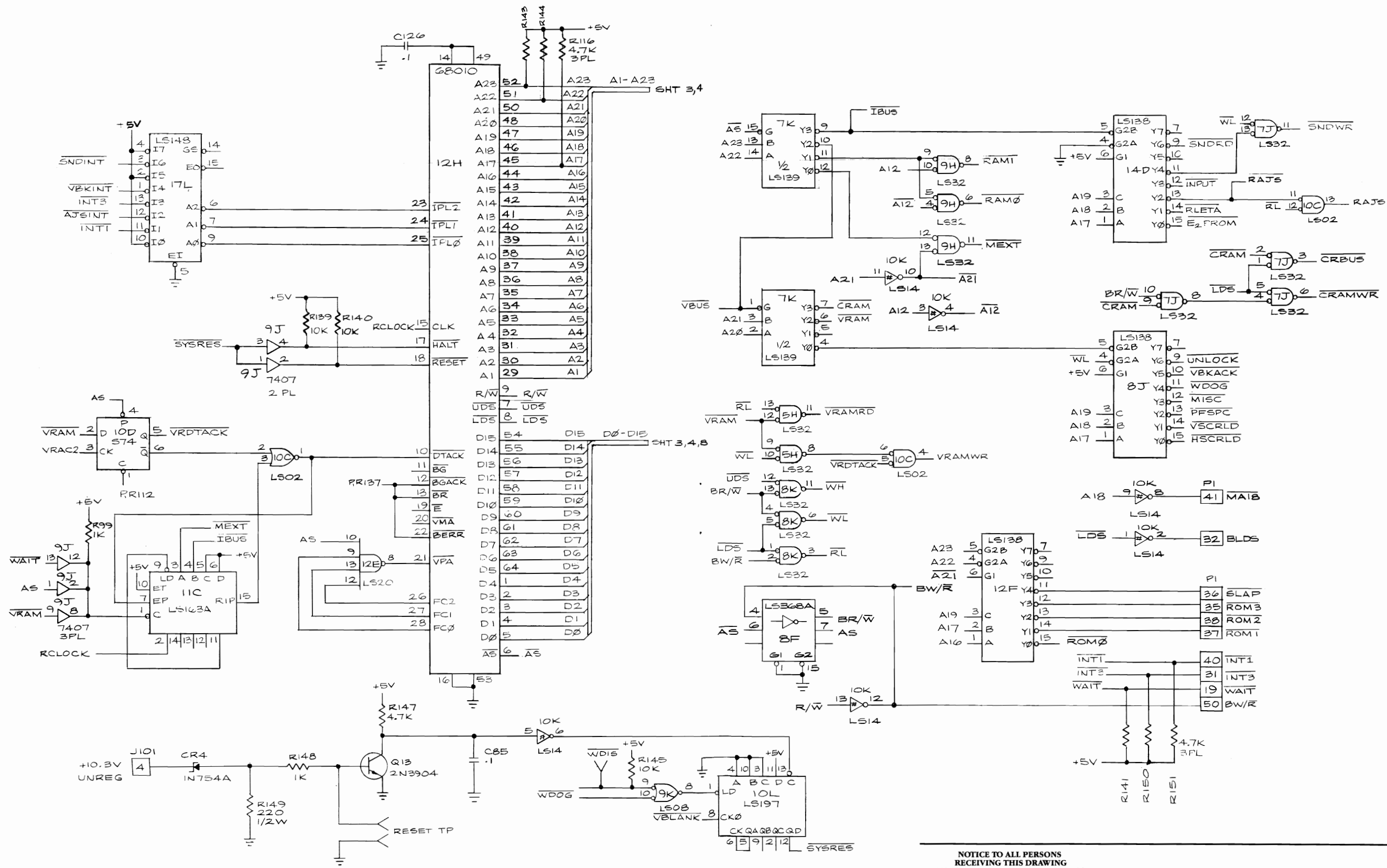




NOTICE TO ALL PERSONS RECEIVING THIS DRAWING
 CONFIDENTIAL: Reproduction forbidden without the specific written permission of Atari Games Corporation, Milpitas, CA. This drawing is only conditionally issued, and neither receipt nor possession thereof confers or transfers any right in, or license to use, the subject matter of the drawing or any design or technical information shown thereon, nor any right to reproduce this drawing or any part thereof. Except for manufacture by vendors of Atari Games Corporation, and for manufacture under the corporation's written license, no right is granted to reproduce this drawing or the subject matter thereof, unless by written agreement with or written permission from the corporation.



System I™ LSI Main PCB Schematic Diagram

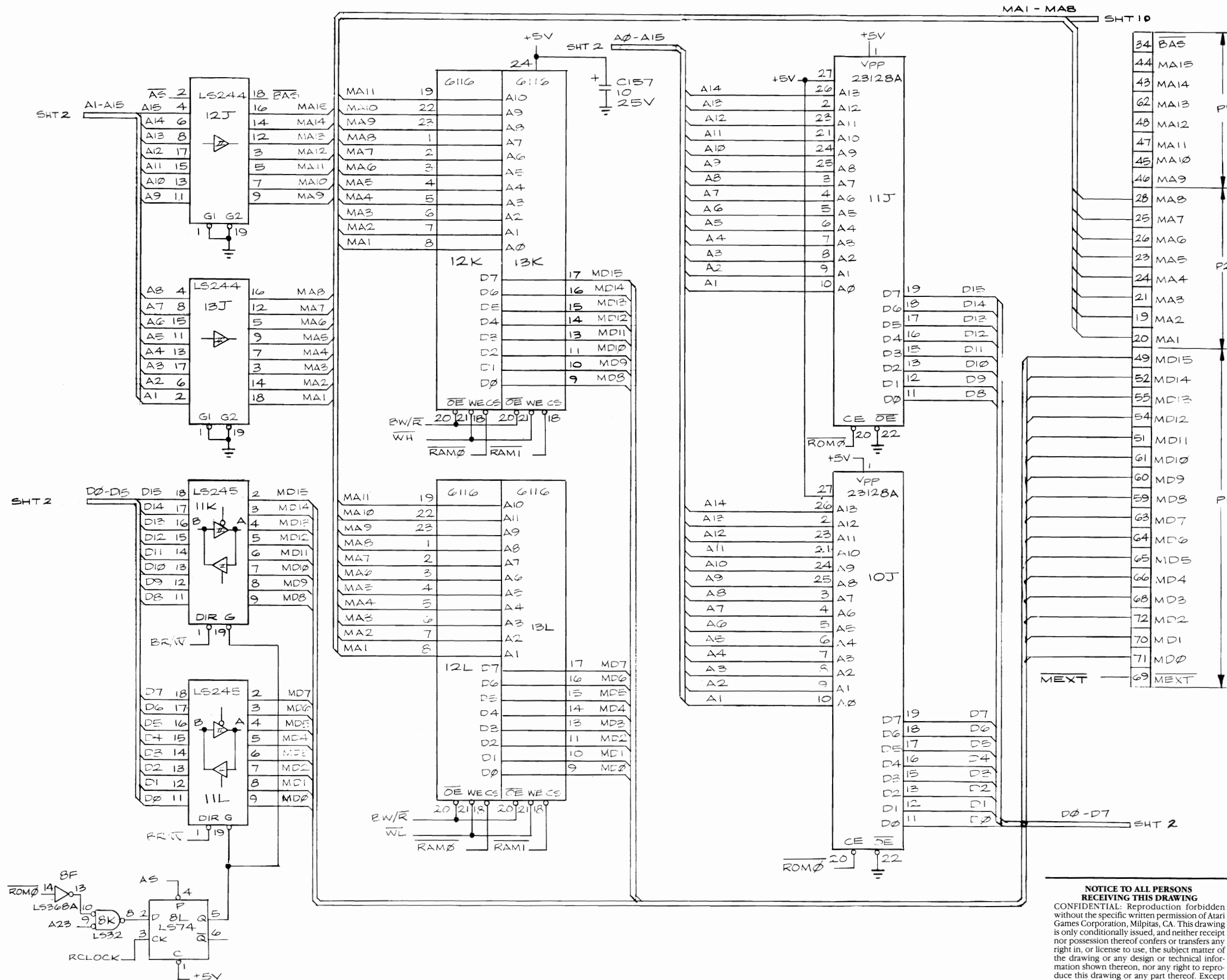


NOTICE TO ALL PERSONS RECEIVING THIS DRAWING
 CONFIDENTIAL: Reproduction forbidden without the specific written permission of Atari Games Corporation, Milpitas, CA. This drawing is only conditionally issued, and neither receipt nor possession thereof confers or transfers any right in, or license to use, the subject matter of the drawing or any design or technical information shown thereon, nor any right to reproduce this drawing or any part thereof. Except for manufacture by vendors of Atari Games Corporation, and for manufacture under the corporation's written license, no right is granted to reproduce this drawing or the subject matter thereof, unless by written agreement with or written permission from the corporation.

System I™ LSI Main PCB Schematic Diagram

ATARI GAMES

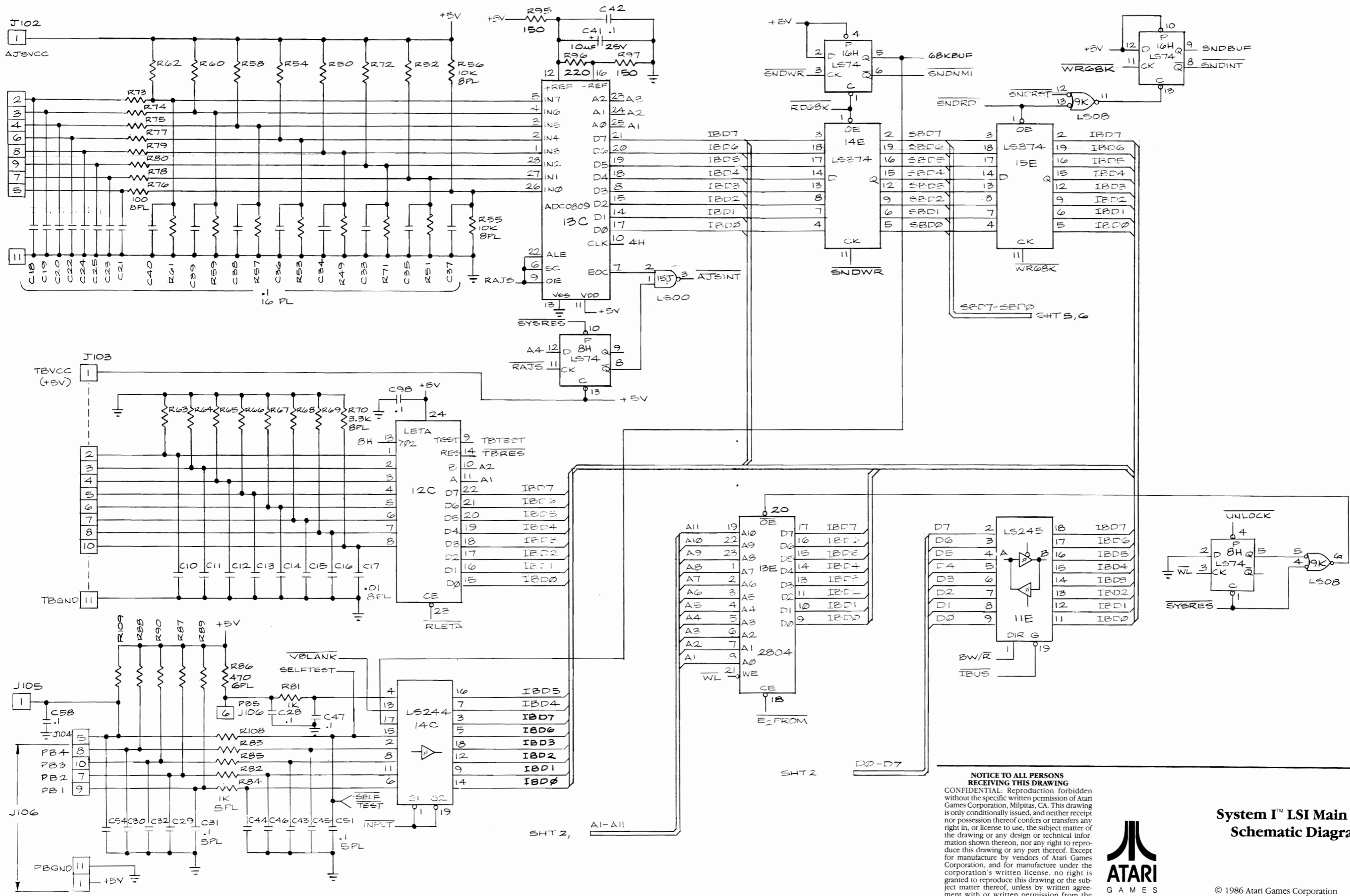
SP-286 Sheet 2
1st printing
© 1986 Atari Games Corporation



NOTICE TO ALL PERSONS RECEIVING THIS DRAWING
 CONFIDENTIAL: Reproduction forbidden without the specific written permission of Atari Games Corporation, Milpitas, CA. This drawing is only conditionally issued, and neither receipt nor possession thereof confers or transfers any right in, or license to use, the subject matter of the drawing or any design or technical information shown thereon, nor any right to reproduce this drawing or any part thereof. Except for manufacture by vendors of Atari Games Corporation, and for manufacture under the corporation's written license, no right is granted to reproduce this drawing or the subject matter thereof, unless by written agreement with or written permission from the corporation.



System I™ LSI Main PCB Schematic Diagram

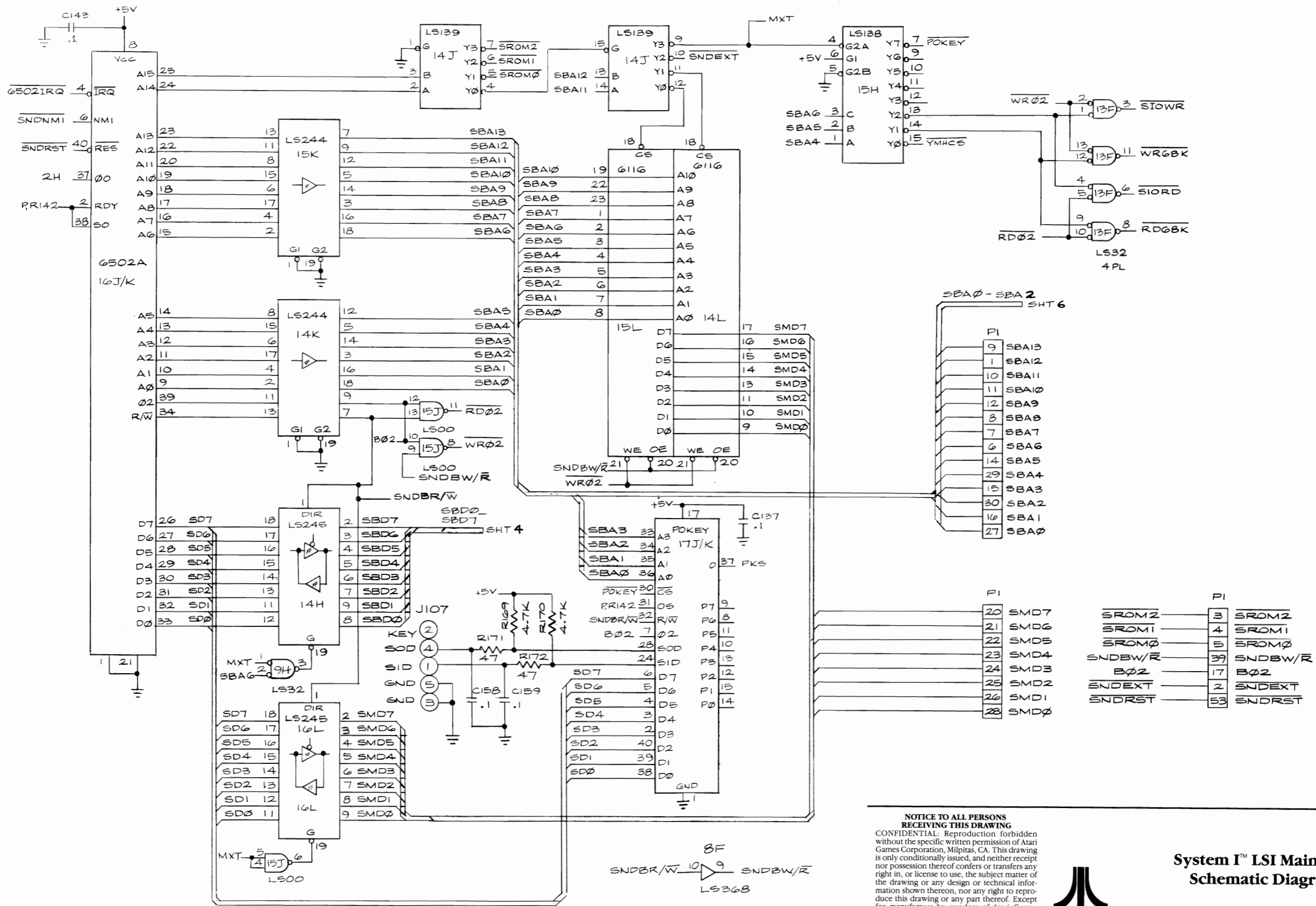


NOTICE TO ALL PERSONS RECEIVING THIS DRAWING
 CONFIDENTIAL: Reproduction forbidden without the specific written permission of Atari Games Corporation, Milpitas, CA. This drawing is only conditionally issued, and neither receipt nor possession thereof confers or transfers any right in, or license to use, the subject matter of the drawing or any design or technical information shown thereon, nor any right to reproduce this drawing or any part thereof. Except for manufacture by vendors of Atari Games Corporation, and for manufacture under the corporation's written license, no right is granted to reproduce this drawing or the subject matter thereof, unless by written agreement with or written permission from the corporation.



System I™ LSI Main PCB Schematic Diagram

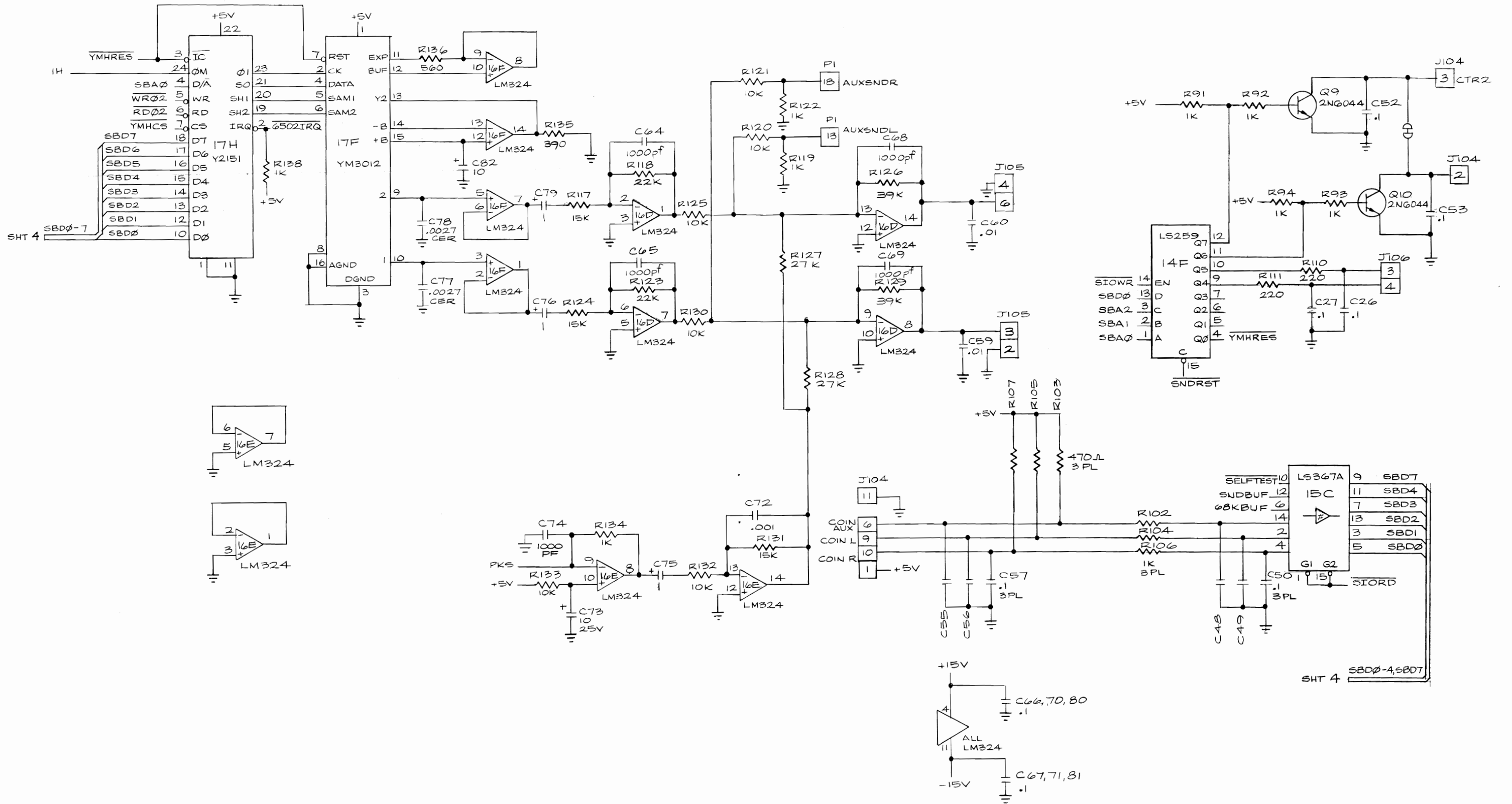
© 1986 Atari Games Corporation



NOTICE TO ALL PERSONS RECEIVING THIS DRAWING
 CONFIDENTIAL: Reproduction forbidden without the specific written permission of Atari Games Corporation, Milpitas, CA. This drawing is only conditionally issued, and neither receipt nor possession thereof confers or transfers any right in, or license to use, the subject matter of the drawing or any design or technical information shown thereon, nor any right to reproduce this drawing or any part thereof. Except for manufacture by vendors of Atari Games Corporation, and for manufacture under the corporation's written license, no right is granted to reproduce this drawing or the subject matter thereof, unless by written agreement with or written permission from the corporation.



System I™ LSI Main PCB Schematic Diagram



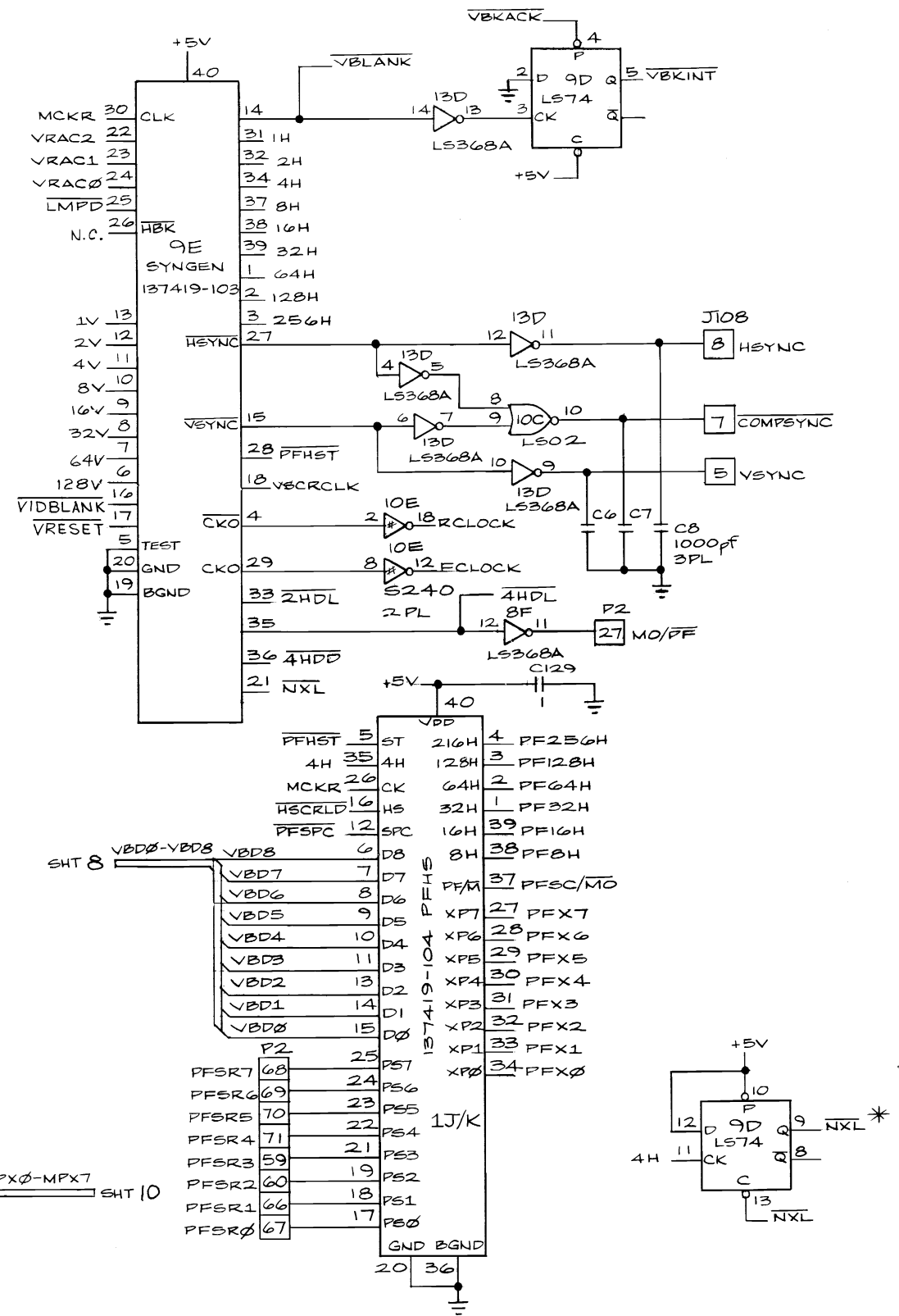
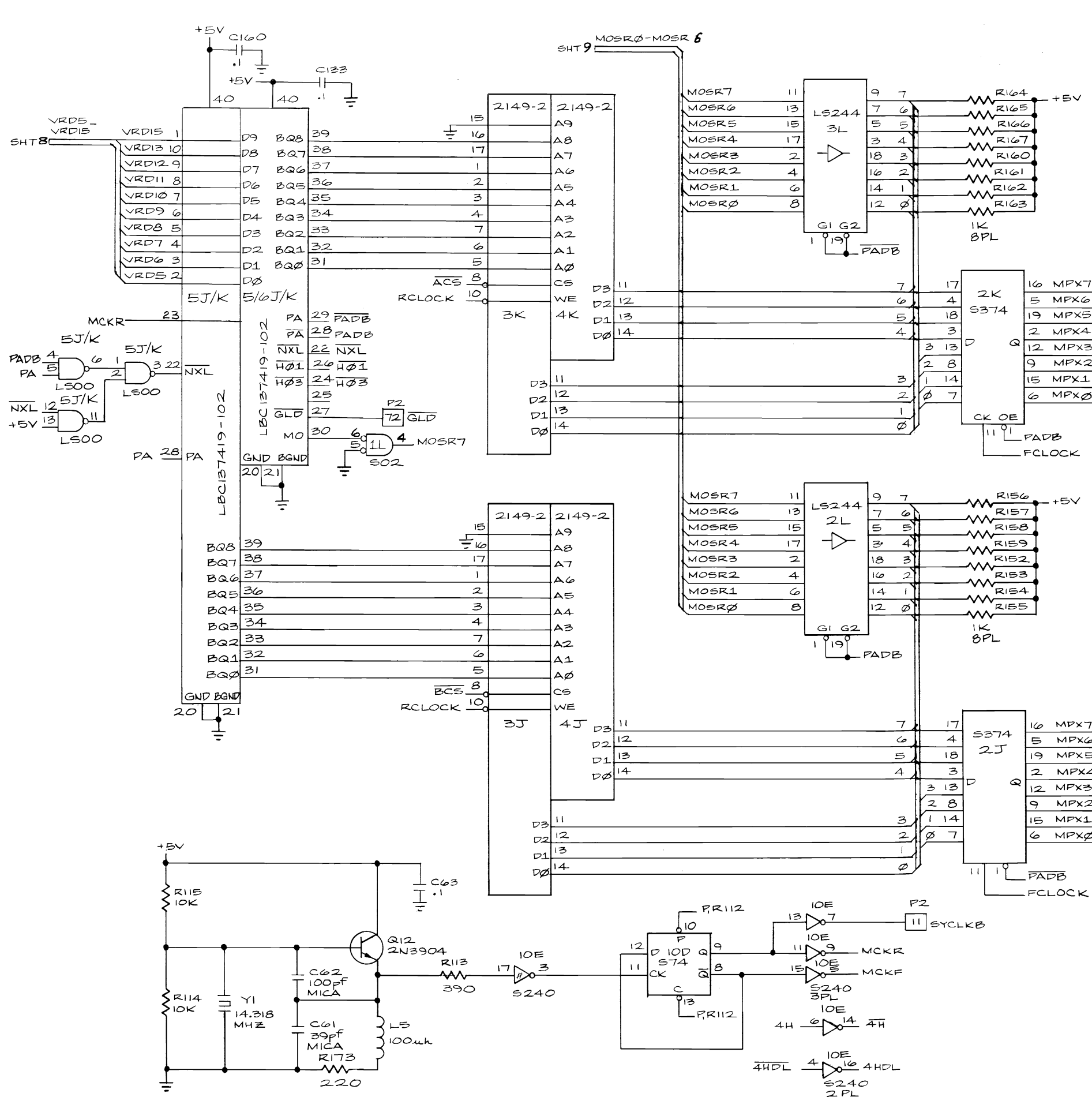
NOTICE TO ALL PERSONS RECEIVING THIS DRAWING
 CONFIDENTIAL: Reproduction forbidden without the specific written permission of Atari Games Corporation, Milpitas, CA. This drawing is only conditionally issued, and neither receipt nor possession thereof confers or transfers any right in, or license to use, the subject matter of the drawing or any design or technical information shown thereon, nor any right to reproduce this drawing or any part thereof. Except for manufacture by vendors of Atari Games Corporation, and for manufacture under the corporation's written license, no right is granted to reproduce this drawing or the subject matter thereof, unless by written agreement with or written permission from the corporation.

System I™ LSI Main PCB Schematic Diagram

ATARI GAMES

SP-286 Sheet 6
1st printing

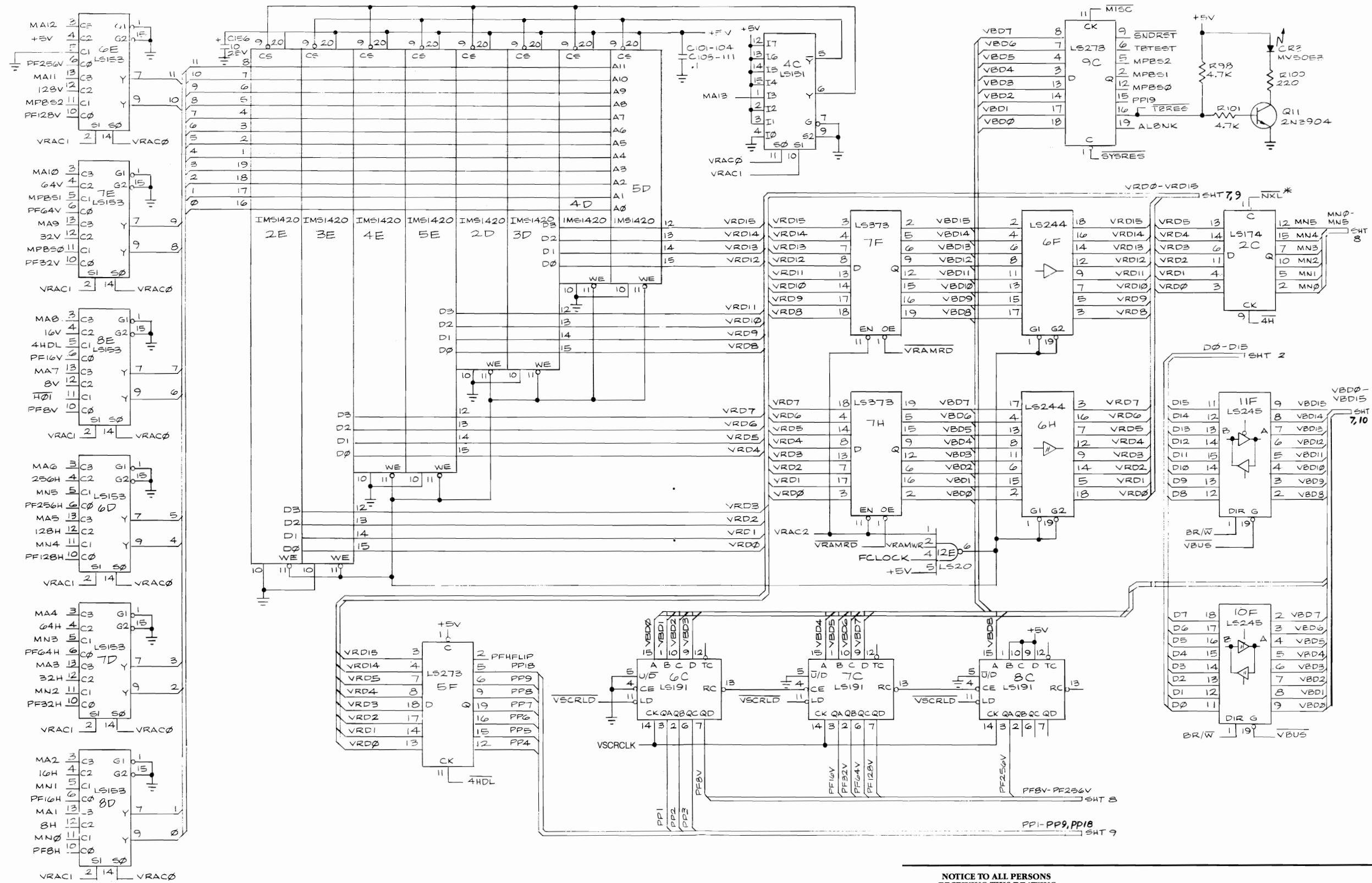
© 1986 Atari Games Corporation



NOTICE TO ALL PERSONS RECEIVING THIS DRAWING
 CONFIDENTIAL: Reproduction forbidden without the specific written permission of Atari Games Corporation, Milpitas, CA. This drawing is only conditionally issued, and neither receipt nor possession thereof confers or transfers any right in, or license to use, the subject matter of the drawing or any design or technical information shown thereon, nor any right to reproduce this drawing or any part thereof. Except for manufacture by vendors of Atari Games Corporation, and for manufacture under the corporation's written license, no right is granted to reproduce this drawing or the subject matter thereof, unless by written agreement with or written permission from the corporation.



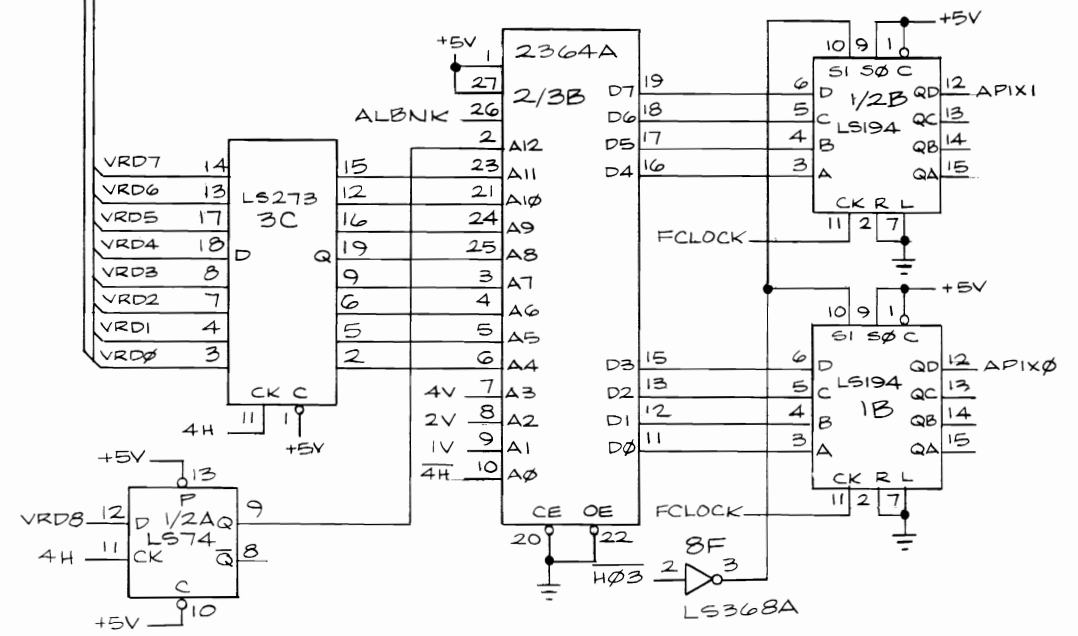
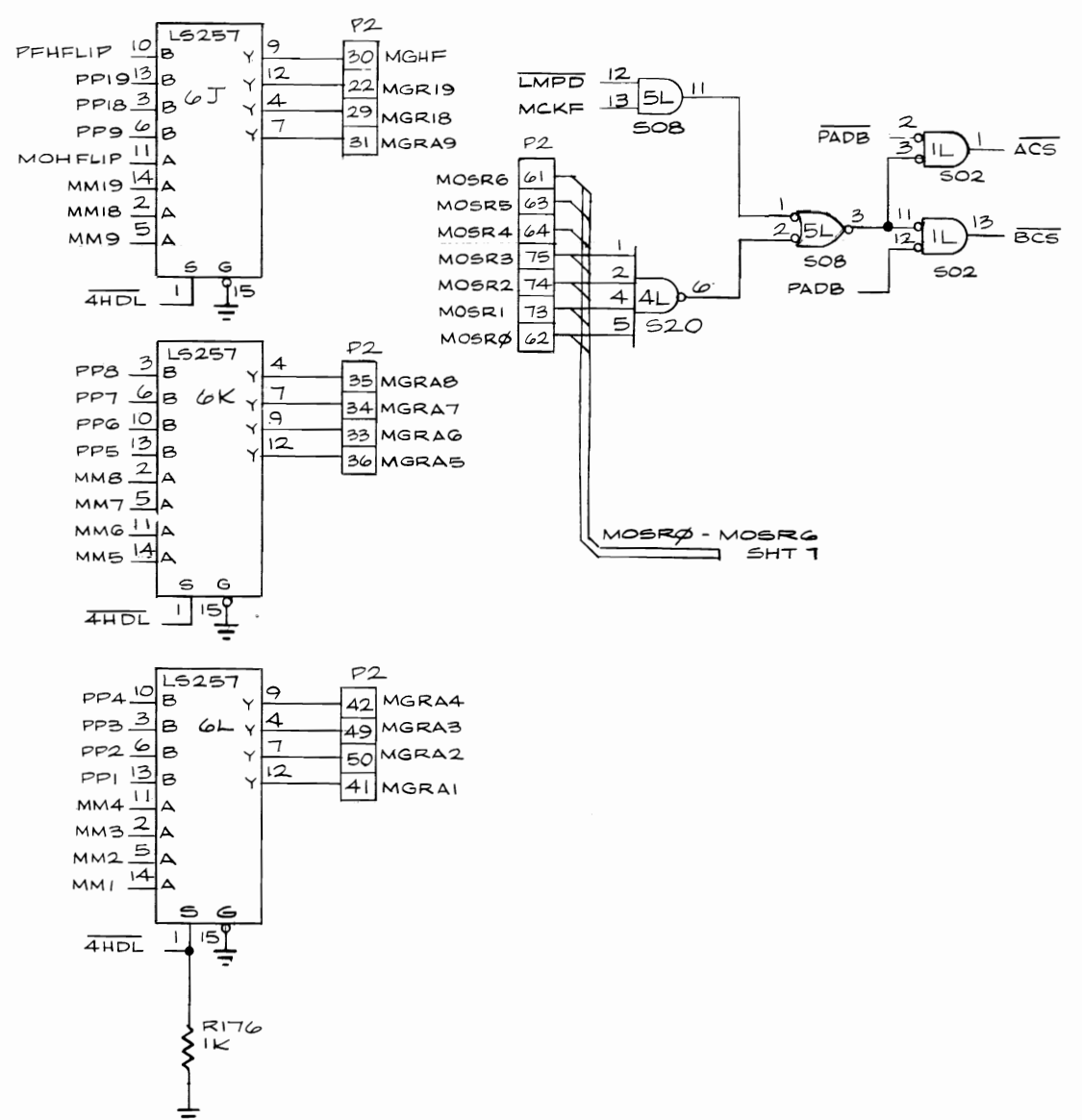
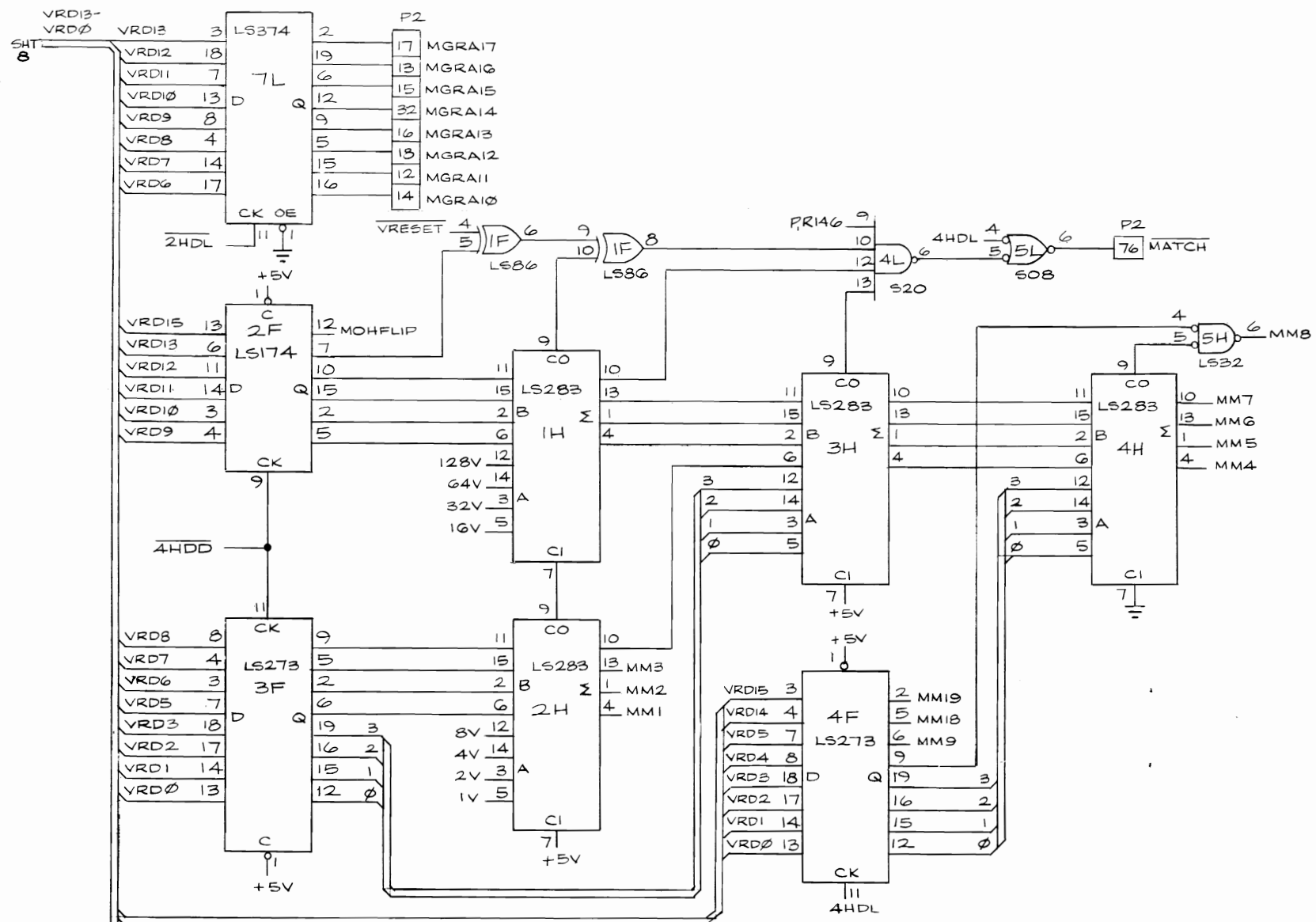
System 1™ LSI Main PCB Schematic Diagram



NOTICE TO ALL PERSONS RECEIVING THIS DRAWING
 CONFIDENTIAL: Reproduction forbidden without the specific written permission of Atari Games Corporation, Milpitas, CA. This drawing is only conditionally issued, and neither receipt nor possession thereof confers or transfers any right in, or license to use, the subject matter of the drawing or any design or technical information shown thereon, nor any right to reproduce this drawing or any part thereof. Except for manufacture by vendors of Atari Games Corporation, and for manufacture under the corporation's written license, no right is granted to reproduce this drawing or the subject matter thereof, unless by written agreement with or written permission from the corporation.



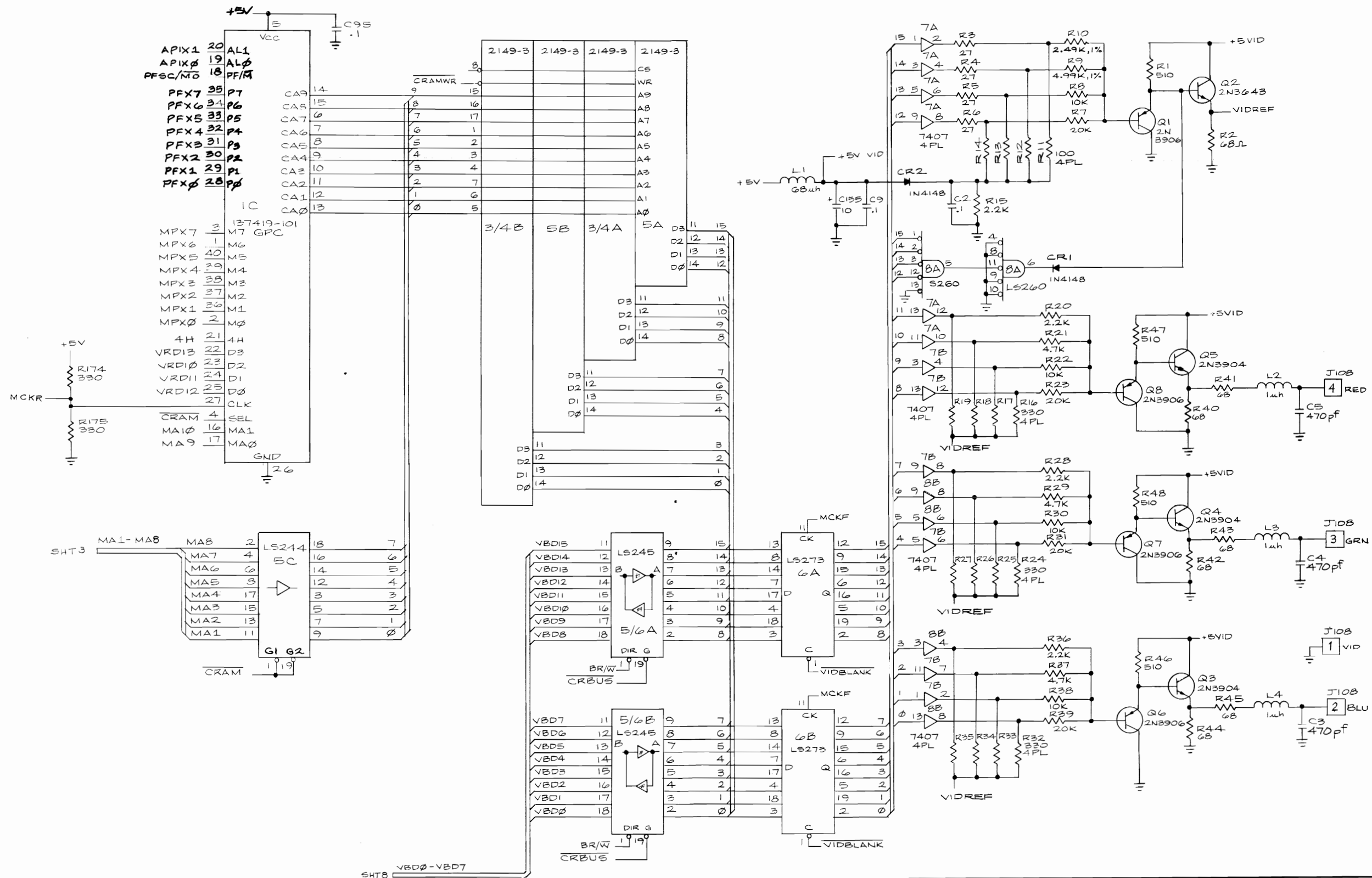
System I™ LSI Main PCB Schematic Diagram



NOTICE TO ALL PERSONS RECEIVING THIS DRAWING
 CONFIDENTIAL: Reproduction forbidden without the specific written permission of Atari Games Corporation, Milpitas, CA. This drawing is only conditionally issued, and neither receipt nor possession thereof confers or transfers any right in, or license to use, the subject matter of the drawing or any design or technical information shown thereon, nor any right to reproduce this drawing or any part thereof. Except for manufacture by vendors of Atari Games Corporation, and for manufacture under the corporation's written license, no right is granted to reproduce this drawing or the subject matter thereof, unless by written agreement with or written permission from the corporation.



System I™ LSI Main PCB Schematic Diagram

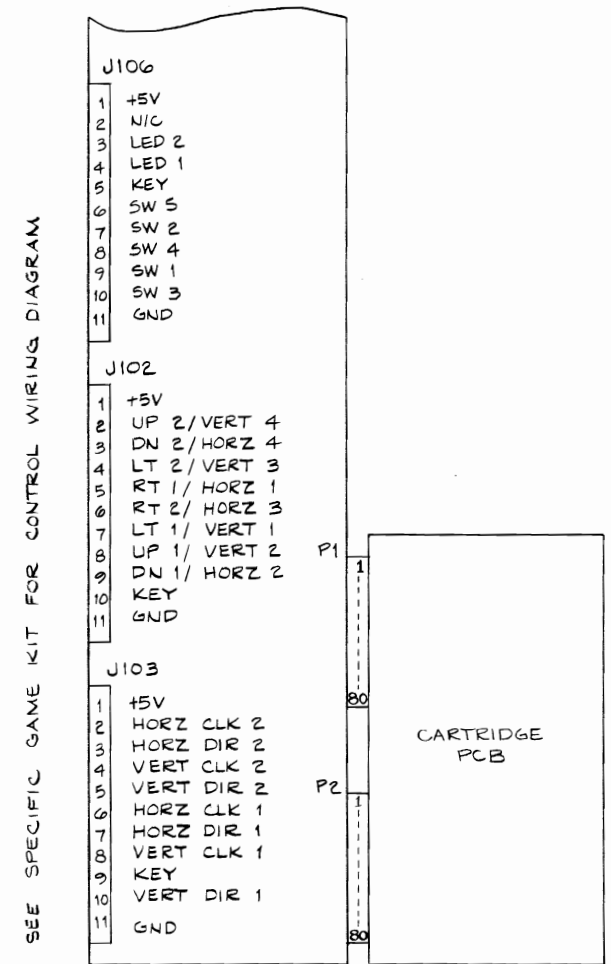
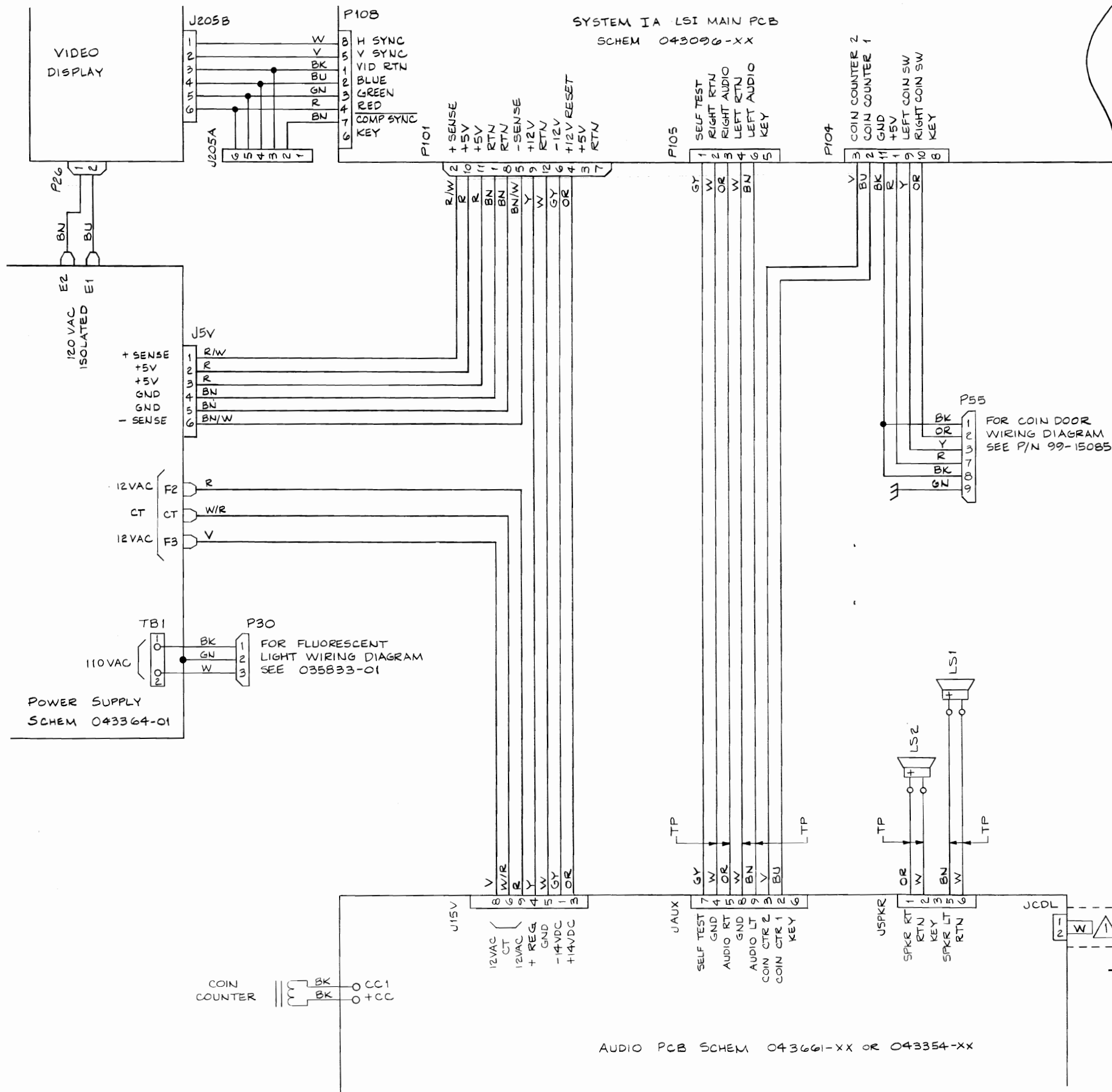


NOTICE TO ALL PERSONS RECEIVING THIS DRAWING
 CONFIDENTIAL: Reproduction forbidden without the specific written permission of Atari Games Corporation, Milpitas, CA. This drawing is only conditionally issued, and neither receipt nor possession thereof confers or transfers any right in, or license to use, the subject matter of the drawing or any design or technical information shown thereon, nor any right to reproduce this drawing or any part thereof. Except for manufacture by vendors of Atari Games Corporation, and for manufacture under the corporation's written license, no right is granted to reproduce this drawing or the subject matter thereof, unless by written agreement with or written permission from the corporation.



System I™ LSI Main PCB Schematic Diagram

© 1986 Atari Games Corporation

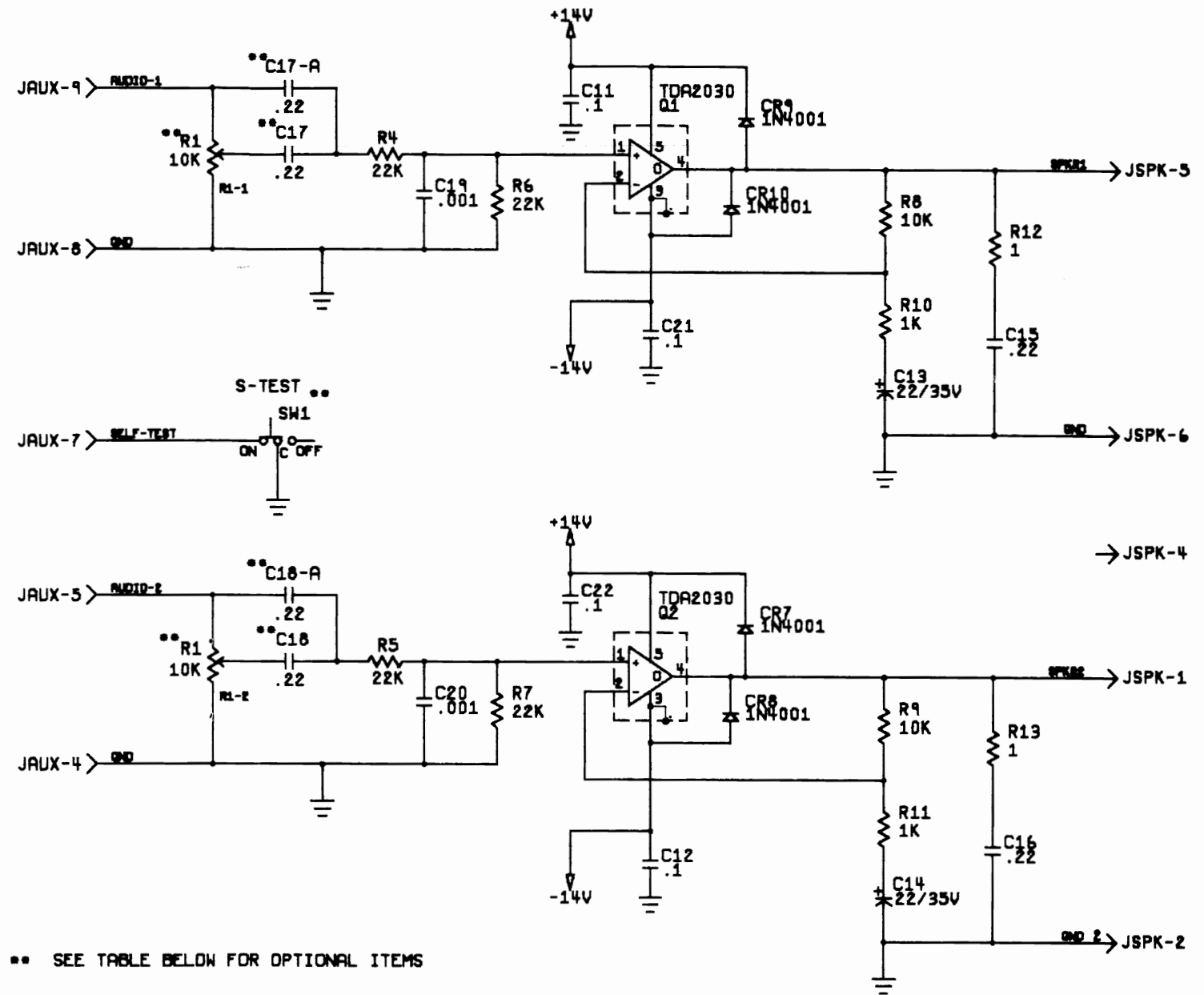
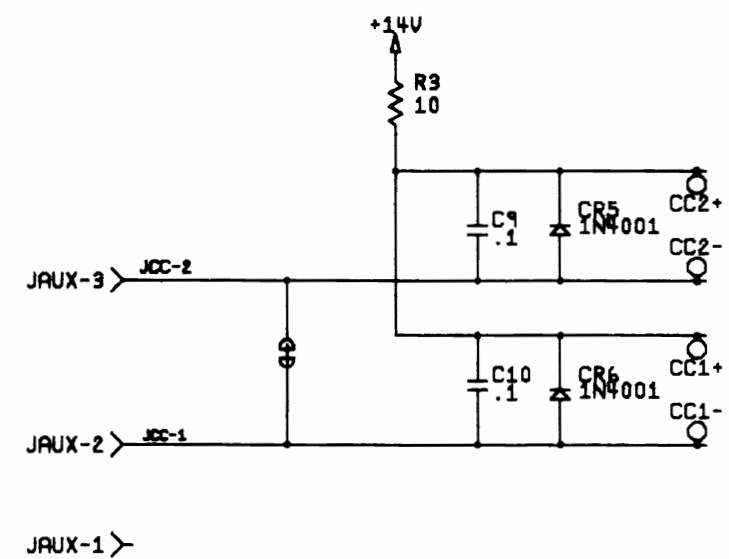
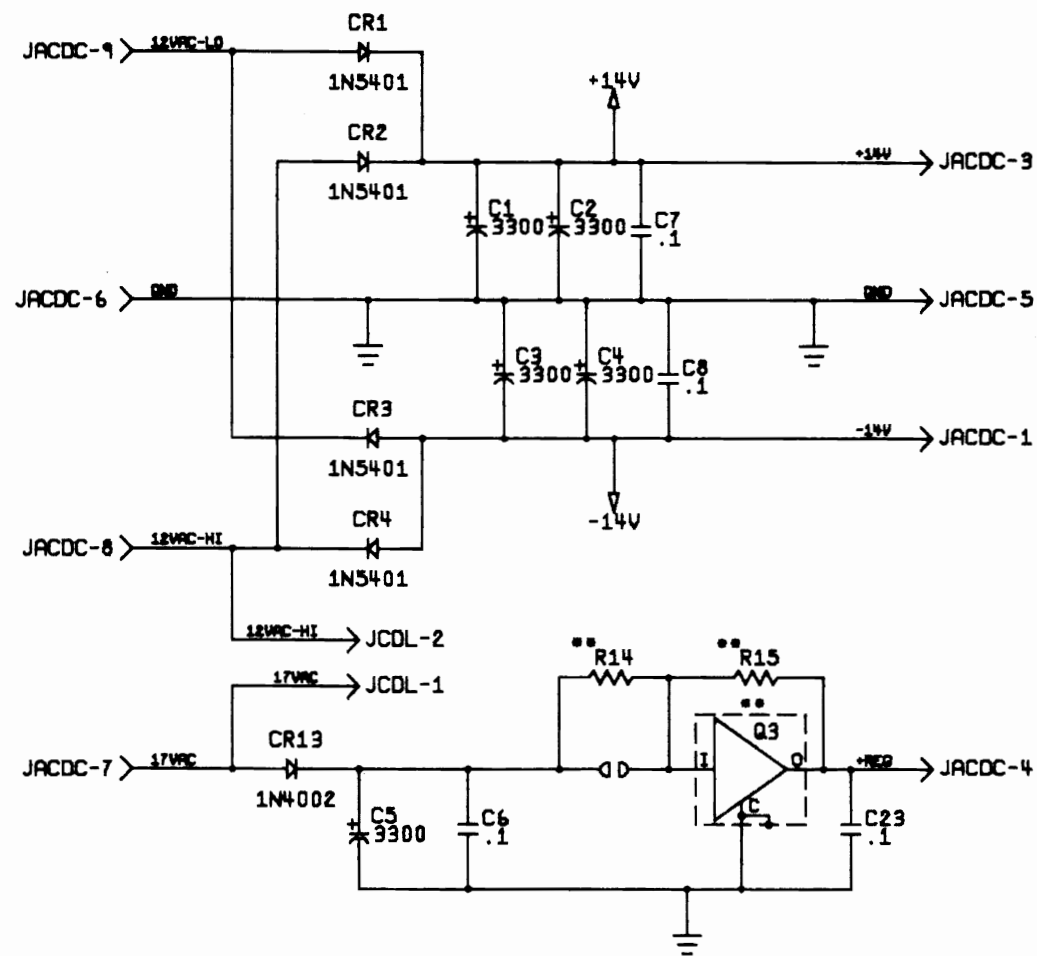


NOTE
 ⚠ USED WITH AUDIO PCB A043661-XX ONLY.

NOTICE TO ALL PERSONS RECEIVING THIS DRAWING
 CONFIDENTIAL: Reproduction forbidden without the specific written permission of Atari Games Corporation, Milpitas, CA. This drawing is only conditionally issued, and neither receipt nor possession thereof confers or transfers any right in, or license to use, the subject matter of the drawing or any design or technical information shown thereon, nor any right to reproduce this drawing or any part thereof. Except for manufacture by vendors of Atari Games Corporation, and for manufacture under the corporation's written license, no right is granted to reproduce this drawing or the subject matter thereof, unless by written agreement with or written permission from the corporation.



System I™ Main Wiring Diagram



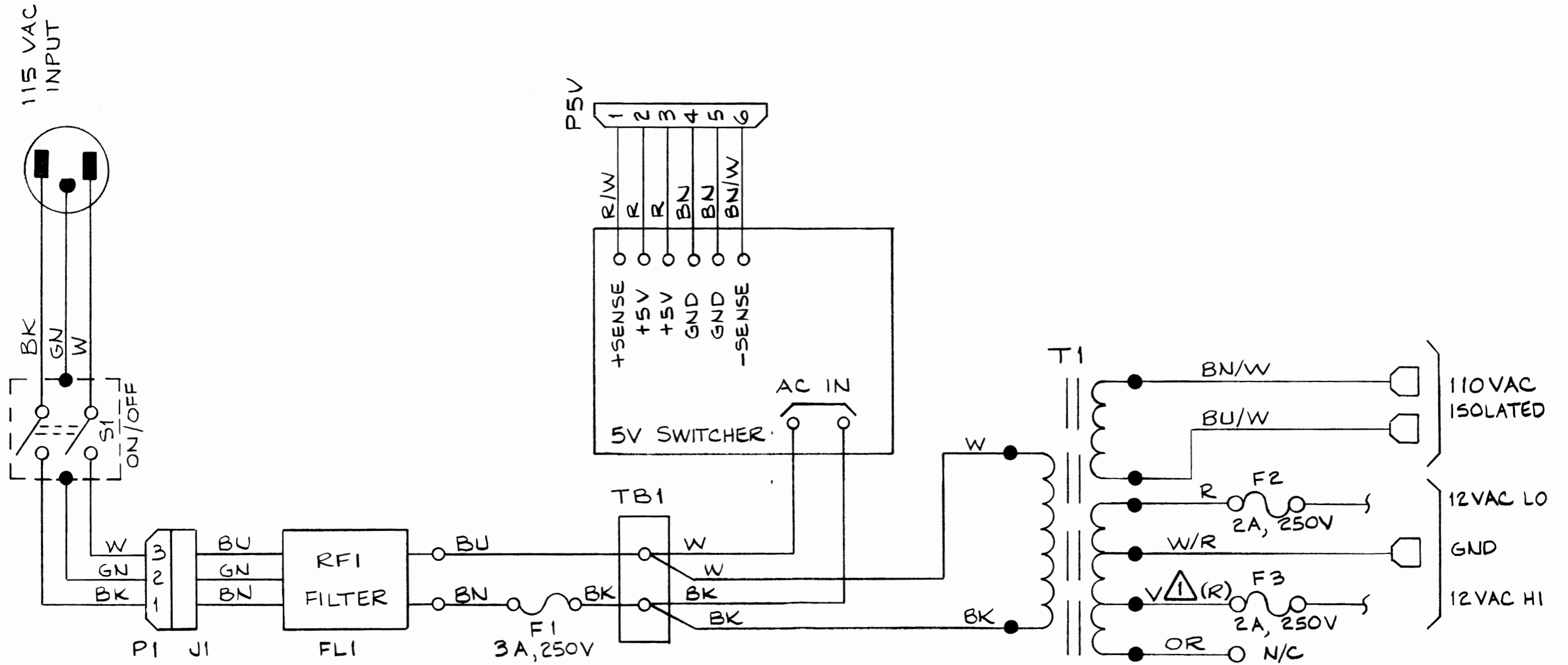
•• SEE TABLE BELOW FOR OPTIONAL ITEMS

DESIGNATION	VALUE	-01	-02
R1	10K POT	YES	YES
C17, C18	.22	YES	YES
C17-A, C18-A	.22	NO	NO
SW1	ON/OFF	YES	YES
Q3	SEE VER COL	LM7815	LM7812
R14	SEE VER COL	0 OHM	0 OHM
R15	0	NO	NO

NOTICE TO ALL PERSONS RECEIVING THIS DRAWING
 CONFIDENTIAL: Reproduction forbidden without the specific written permission of Atari Games Corporation, Milpitas, CA. This drawing is only conditionally issued, and neither receipt nor possession thereof confers or transfers any right in, or license to use, the subject matter of the drawing or any design or technical information shown thereon, nor any right to reproduce this drawing or any part thereof. Except for manufacture by vendors of Atari Games Corporation, and for manufacture under the corporation's written license, no right is granted to reproduce this drawing or the subject matter thereof, unless by written agreement with or written permission from the corporation.



System I™ Audio II PCB Schematic Diagram



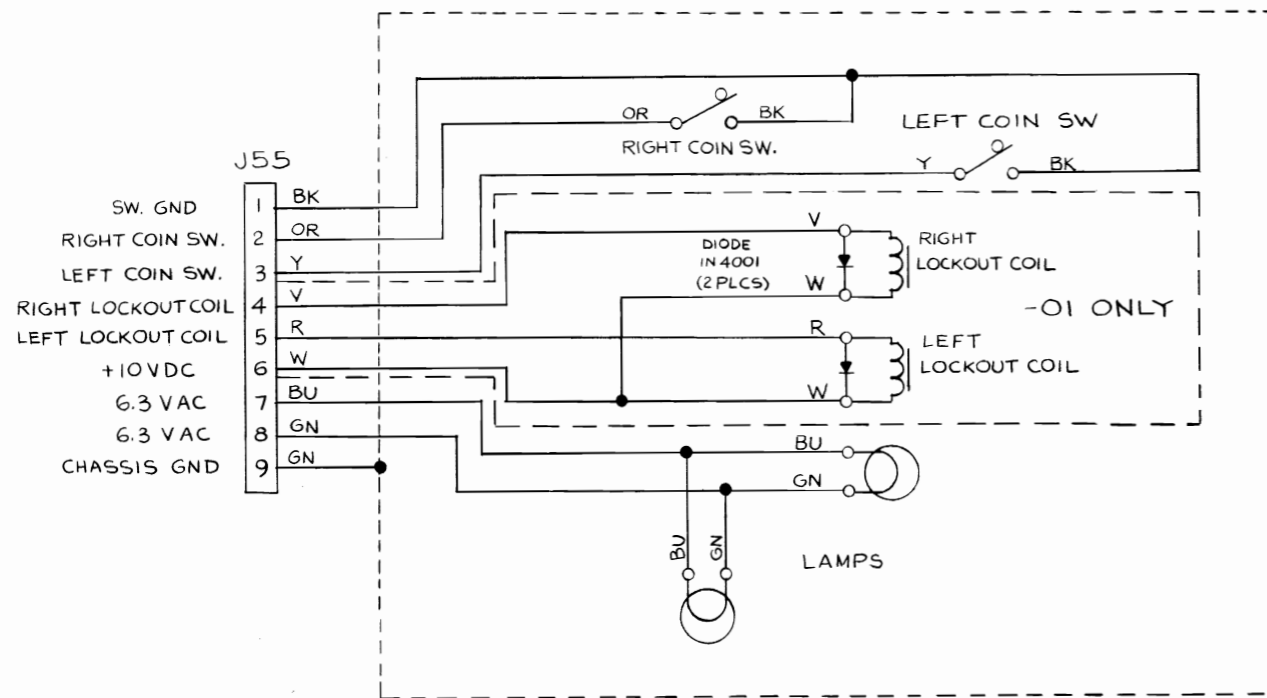
NOTE

⚠ ALTERNATE WIRE COLOR SHOWN IN PARENTHESIS.

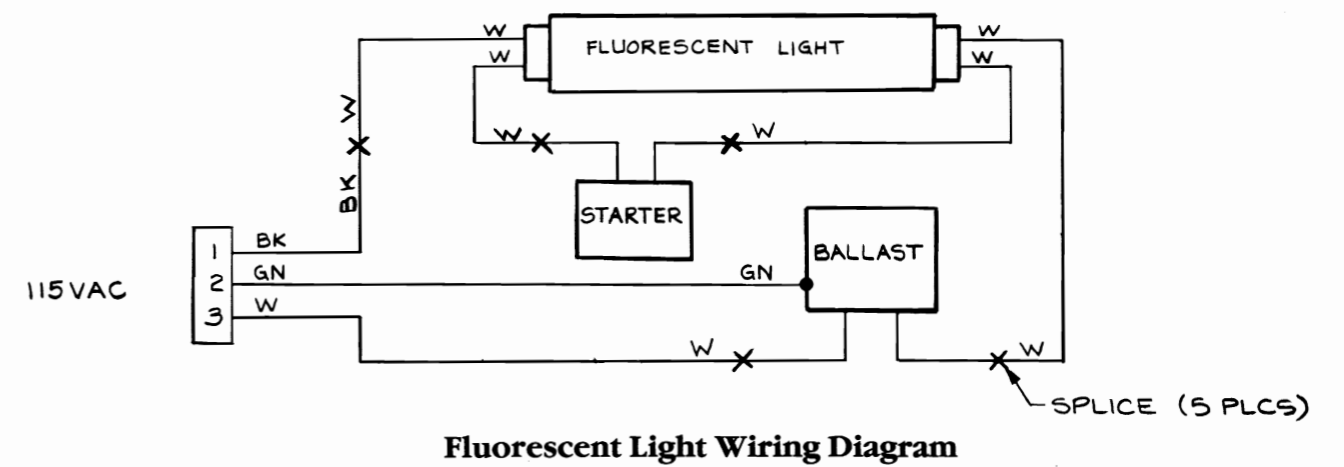
NOTICE TO ALL PERSONS RECEIVING THIS DRAWING
 CONFIDENTIAL: Reproduction forbidden without the specific written permission of Atari Games Corporation, Milpitas, CA. This drawing is only conditionally issued, and neither receipt nor possession thereof confers or transfers any right in, or license to use, the subject matter of the drawing or any design or technical information shown thereon, nor any right to reproduce this drawing or any part thereof. Except for manufacture by vendors of Atari Games Corporation, and for manufacture under the corporation's written license, no right is granted to reproduce this drawing or the subject matter thereof, unless by written agreement with or written permission from the corporation.



System I™ Switching/Linear (SL) Power Supply Wiring Diagram



Coin Door Wiring Diagram



Fluorescent Light Wiring Diagram

NOTICE TO ALL PERSONS RECEIVING THIS DRAWING

CONFIDENTIAL: Reproduction forbidden without the specific written permission of Atari Games Corporation, Milpitas, CA. This drawing is only conditionally issued, and neither receipt nor possession thereof confers or transfers any right in, or license to use, the subject matter of the drawing or any design or technical information shown thereon, nor any right to reproduce this drawing or any part thereof. Except for manufacture by vendors of Atari Games Corporation, and for manufacture under the corporation's written license, no right is granted to reproduce this drawing or the subject matter thereof, unless by written agreement with or written permission from the corporation.



System I™ Game Interfaces

© 1986 Atari Games Corporation

SP-286 Sheet 14
1st printing

I/O and Sound Microprocessor Memory Map

FUNCTION	HEXA-DECIMAL ADDRESS	ADDRESS BUS SIGNAL LINES																READ/ WRITE	DATA BUS SIGNAL LINES							
		A15	A14	A13	A12	A11	A10	A9	A8	A7	A6	A5	A4	A3	A2	A1	A0		D7	D6	D5	D4	D3	D2	D1	D0
Program RAM	0000-0FFF	0	0	0	0	A	A	A	A	A	A	A	A	A	A	A	R/W	D	D	D	D	D	D	D	D	
Cartridge External	1000-1FFF	0	0	0	1	A	A	A	A	A	A	A	A	A	A	A	R/W	D	D	D	D	D	D	D	D	
Music	1800-1801	0	0	0	1	1	0	0	0	0	0	0	0	0	0	A	R/W	D	D	D	D	D	D	D	D	
Read 68000 Port	1810	0	0	0	1	1	0	0	0	0	0	0	1	0	0	0	R	D	D	D	D	D	D	D	D	
Write 68000 Port	1810	0	0	0	1	1	0	0	0	0	0	0	1	0	0	0	W	D	D	D	D	D	D	D	D	
Self-Test	1820	0	0	0	1	1	0	0	0	0	0	1	0	0	0	0	R	D								
Buffer Output Full (@ 1810)		0	0	0	1	1	0	0	0	0	0	0	1	0	0	0	R				D					
Data Available (@ 1810)		0	0	0	1	1	0	0	0	0	0	0	1	0	0	0	R					D				
Auxiliary Coin Switch		0	0	0	1	1	0	0	0	0	0	0	1	0	0	0	R						D			
Left Coin Switch		0	0	0	1	1	0	0	0	0	0	0	1	0	0	0	R							D		
Right Coin Switch		0	0	0	1	1	0	0	0	0	0	0	1	0	0	0	R								D	
Music Reset	1820	0	0	0	1	1	0	0	0	0	0	1	0	0	0	0	W								D	
Light-Emitting Diode	1824	0	0	0	1	1	0	0	0	0	0	1	0	0	1	0	W								D	
Light-Emitting Diode	1825	0	0	0	1	1	0	0	0	0	0	1	0	0	1	0	W								D	
Right Coin Counter	1826	0	0	0	1	1	0	0	0	0	0	1	0	0	1	1	W								D	
Left Coin Counter	1827	0	0	0	1	1	0	0	0	0	0	1	0	0	1	1	W								D	
Sound Effects	1870-187F	0	0	0	1	1	0	0	0	0	1	1	1	A	A	A	R/W	D	D	D	D	D	D	D	D	
Program ROM	4000-FFFF	A	A	A	A	A	A	A	A	A	A	A	A	A	A	A	R	D	D	D	D	D	D	D	D	

NOTICE TO ALL PERSONS RECEIVING THIS DRAWING

CONFIDENTIAL: Reproduction forbidden without the specific written permission of Atari Games Corporation, Milpitas, CA. This drawing is only conditionally issued, and neither receipt nor possession thereof confers or transfers any right in, or license to use, the subject matter of the drawing or any design or technical information shown thereon, nor any right to reproduce this drawing or any part thereof. Except for manufacture by vendors of Atari Games Corporation, and for manufacture under the corporation's written license, no right is granted to reproduce this drawing or the subject matter thereof, unless by written agreement with or written permission from the corporation.



System I™ I/O and Sound Microprocessor Memory Map