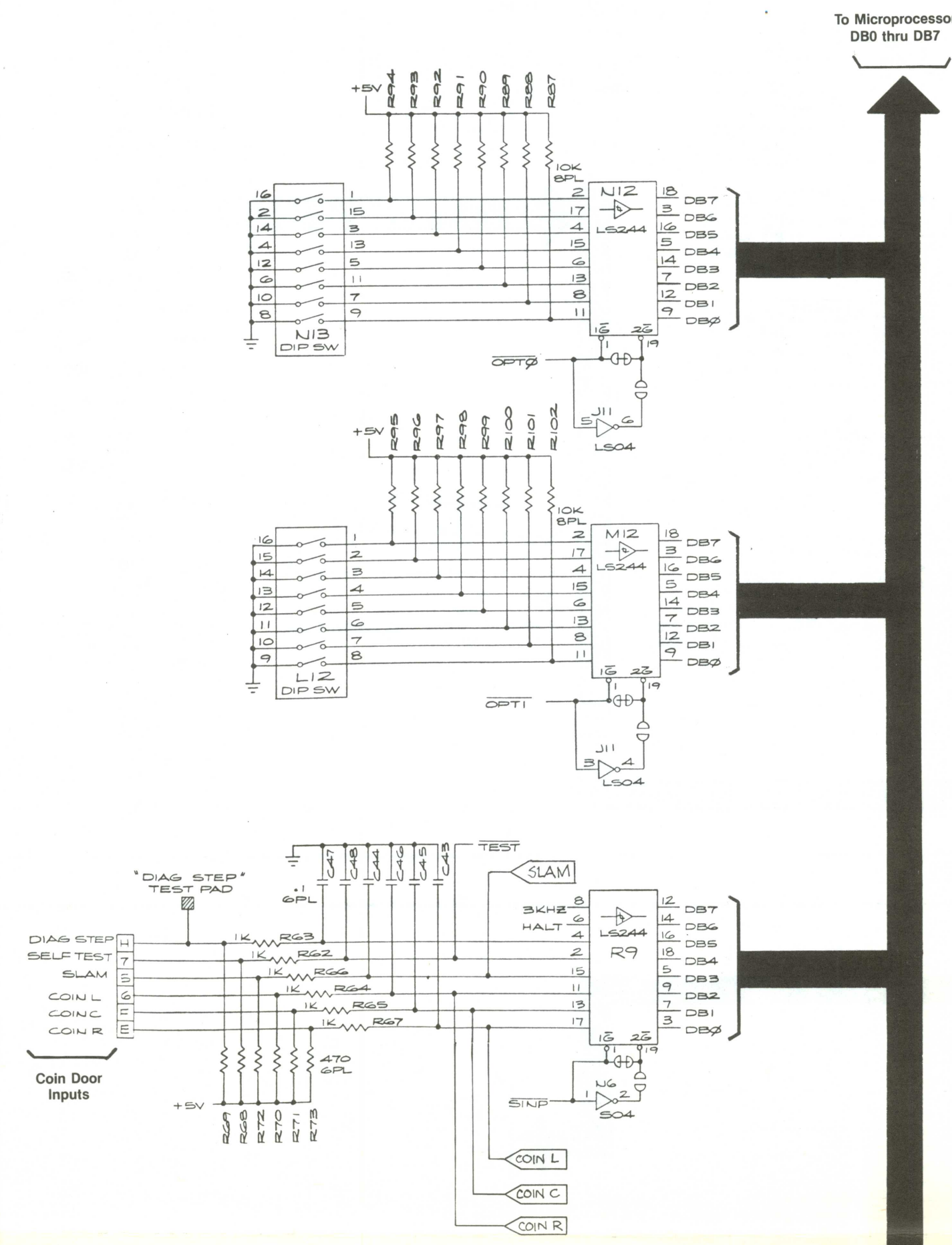


Coin Door and Option Switch Inputs



NOTICE TO ALL PERSONS RECEIVING THIS DRAWING  
 CONFIDENTIAL. Reproduction forbidden without the specific written permission of Atari, Inc., Sunnyvale, CA. This drawing is only conditionally issued, and neither receipt nor possession thereof confers or transfers any right in, or license to use, the subject matter of the drawing or any design or technical information shown thereon, nor any right to reproduce this drawing or any part thereof. Except for manufacture by vendors of Atari, Inc., and for manufacture under the corporation's written license, no right to reproduce this drawing is granted or the subject matter thereof unless by written agreement with or written permission from the corporation.



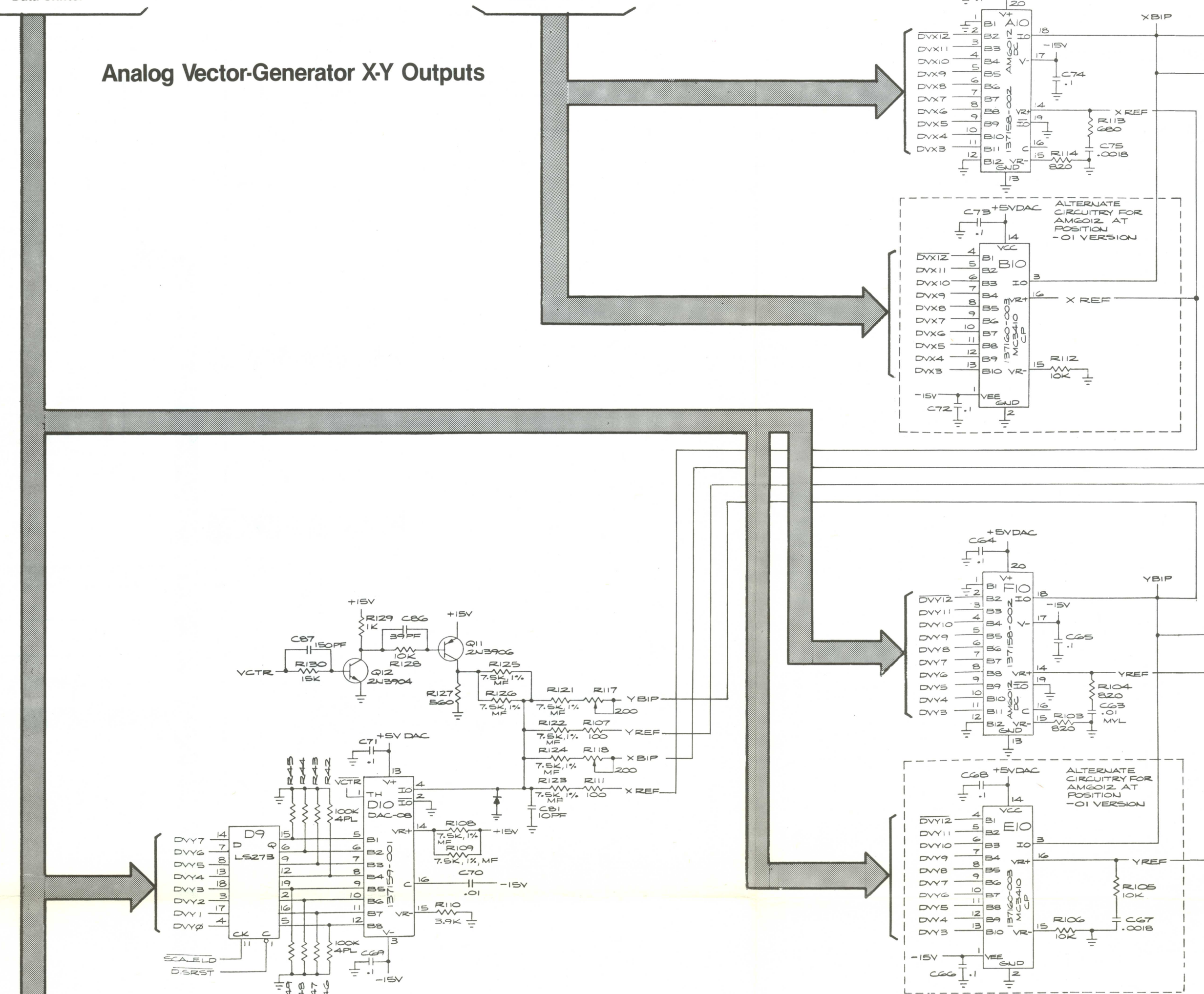
**Tempest™**  
 Sheet 2, Side B

Analog Vector-Generator PCB  
 Coin Door and Option Switch Inputs  
 XY Outputs  
 Color Outputs  
 Coin Counter and Video Invert Outputs  
 Section of 037383-01 thru -04 C

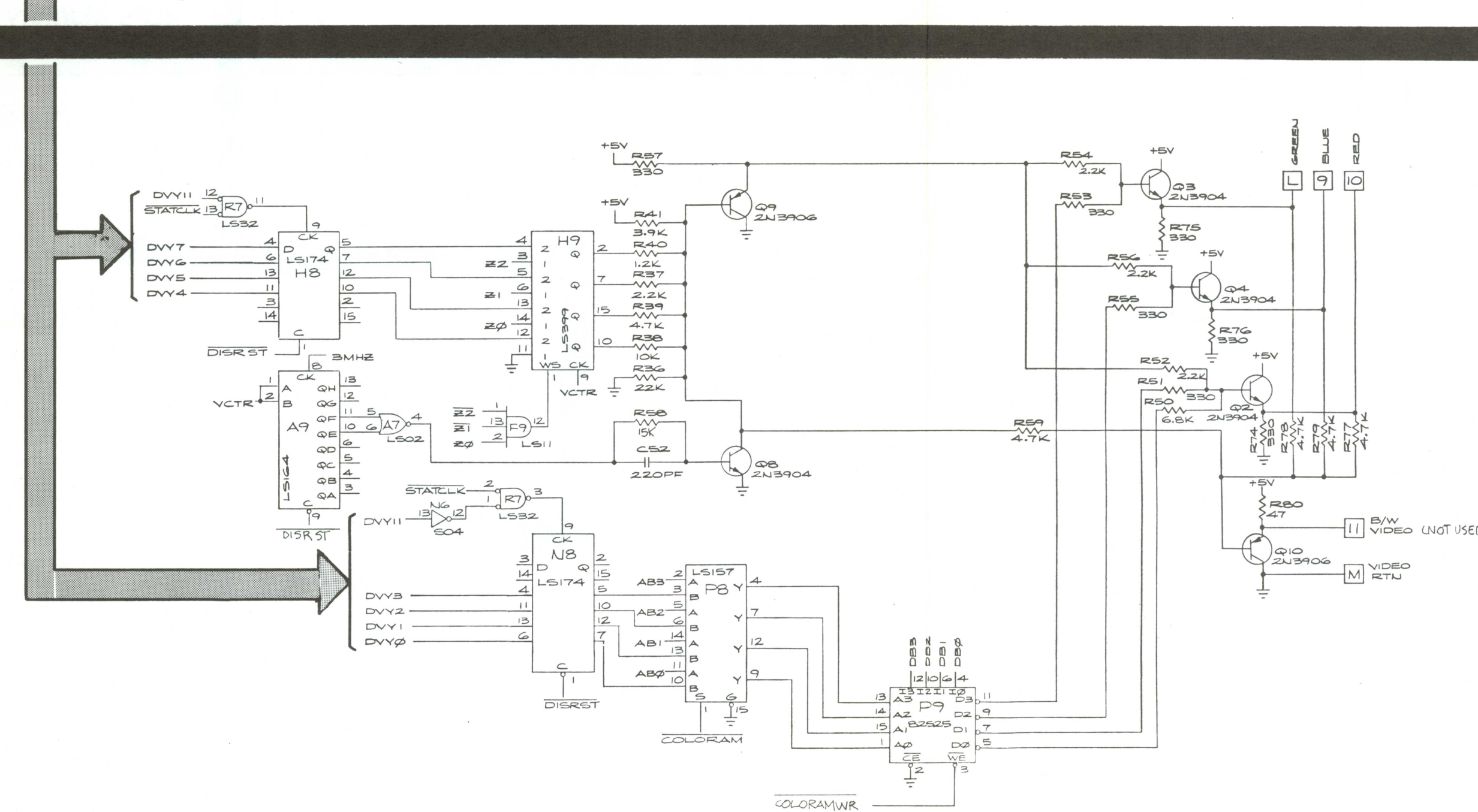
© 1981 Atari, Inc.

From Vector-Generator Data Shifter

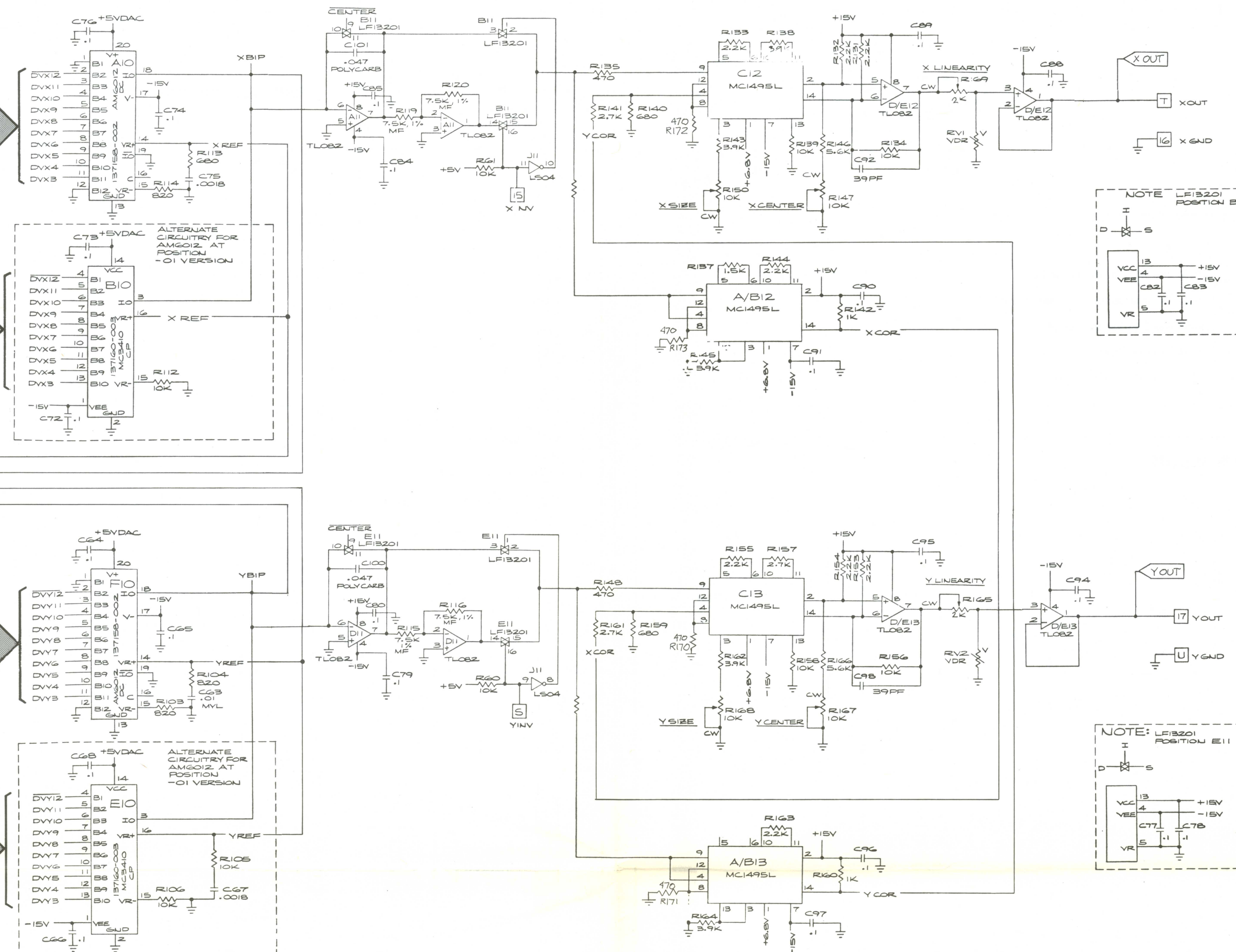
Analog Vector-Generator X-Y Outputs



Analog Vector-Generator Color Outputs



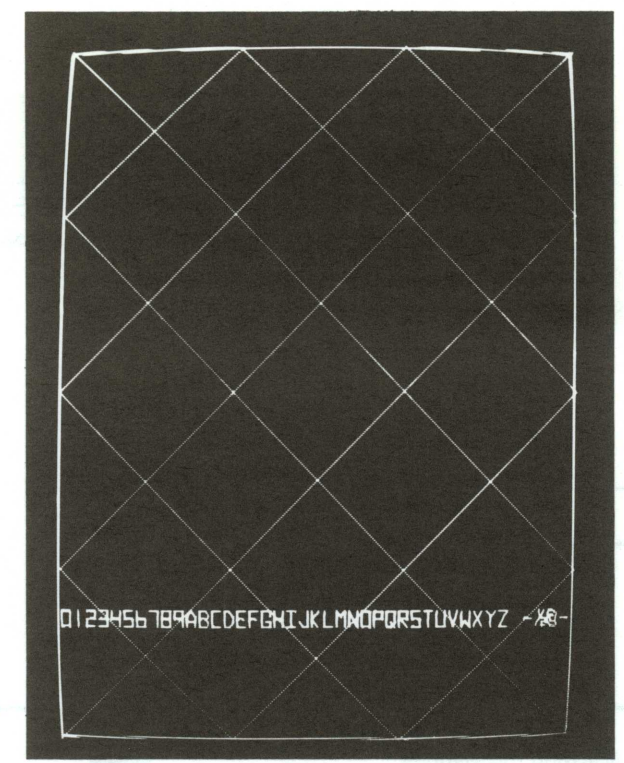
From Vector-Generator Data Shifter



Adjusting Video Pots

If you replace the Tempest™ Analog Vector-Generator PCB (Main PCB) or the monitor, you may have to make the following adjustments:

1. Enter self-test and advance screen to diagonal crosshatch pattern.
2. Adjust "CENTER" pots: Adjust X-CENTER (R147) and Y-CENTER (R167) so that the crosshatch pattern is located at the middle of the screen.
3. Adjust "SIZE" pots: Adjust X-SIZE (R150) and Y-SIZE (R168) so that the crosshatch pattern exactly covers the whole visible screen.
4. Adjust the "BIP" pots: Adjust the X-BIP (R118) and Y-BIP (R117) so that the corners of the diagonal lines rest exactly on the sides of the outer rectangle.
5. Adjust the "LIN" pots: Adjust the X-LINEAR (R169) and Y-LINEAR (R165) so that the diagonal lines are straight. Since the "LIN" pots change the size of the displayed picture on the screen, you may have to readjust the "SIZE" pots in order to get the correct adjustment.



Coin Counter and Video Invert Outputs

