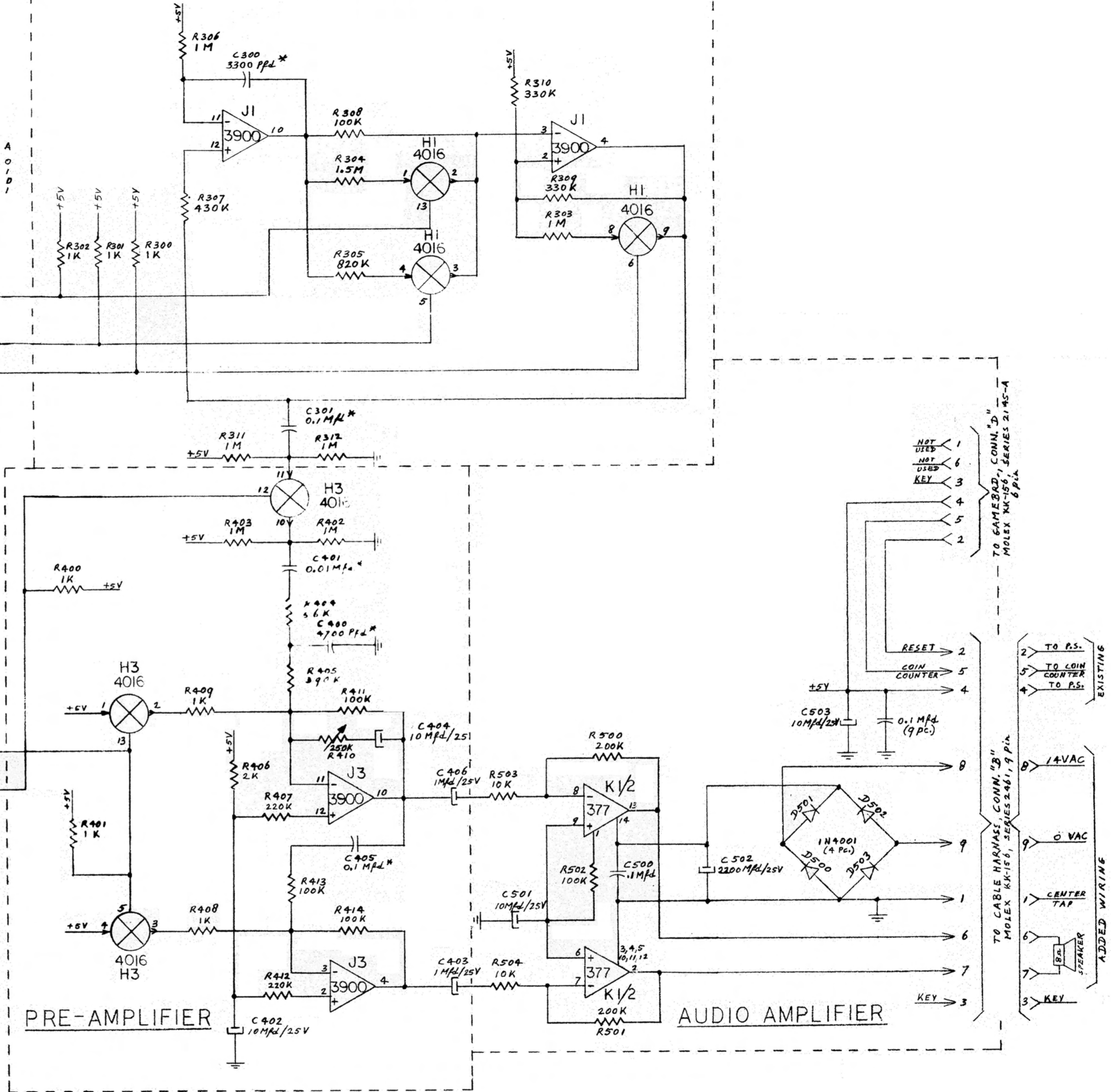


RRC Locations

	#A	#C	#B	PIN
RPUP	R107	C107	R100	6
LPUP	R106	C106	R100	5
RPRT	R109	C109	R100	8
LPRT	R103	C103	R100	2
RPDN	R108	C108	R100	7
LPDN	R105	C105	R100	4
RPLT	R110	C110	R100	9
LPLT	R104	C104	R100	3
COIN	R102	C102	R101	-

B A
DWN 0 0
RT 0 1
UP 1 0
LT 1 1

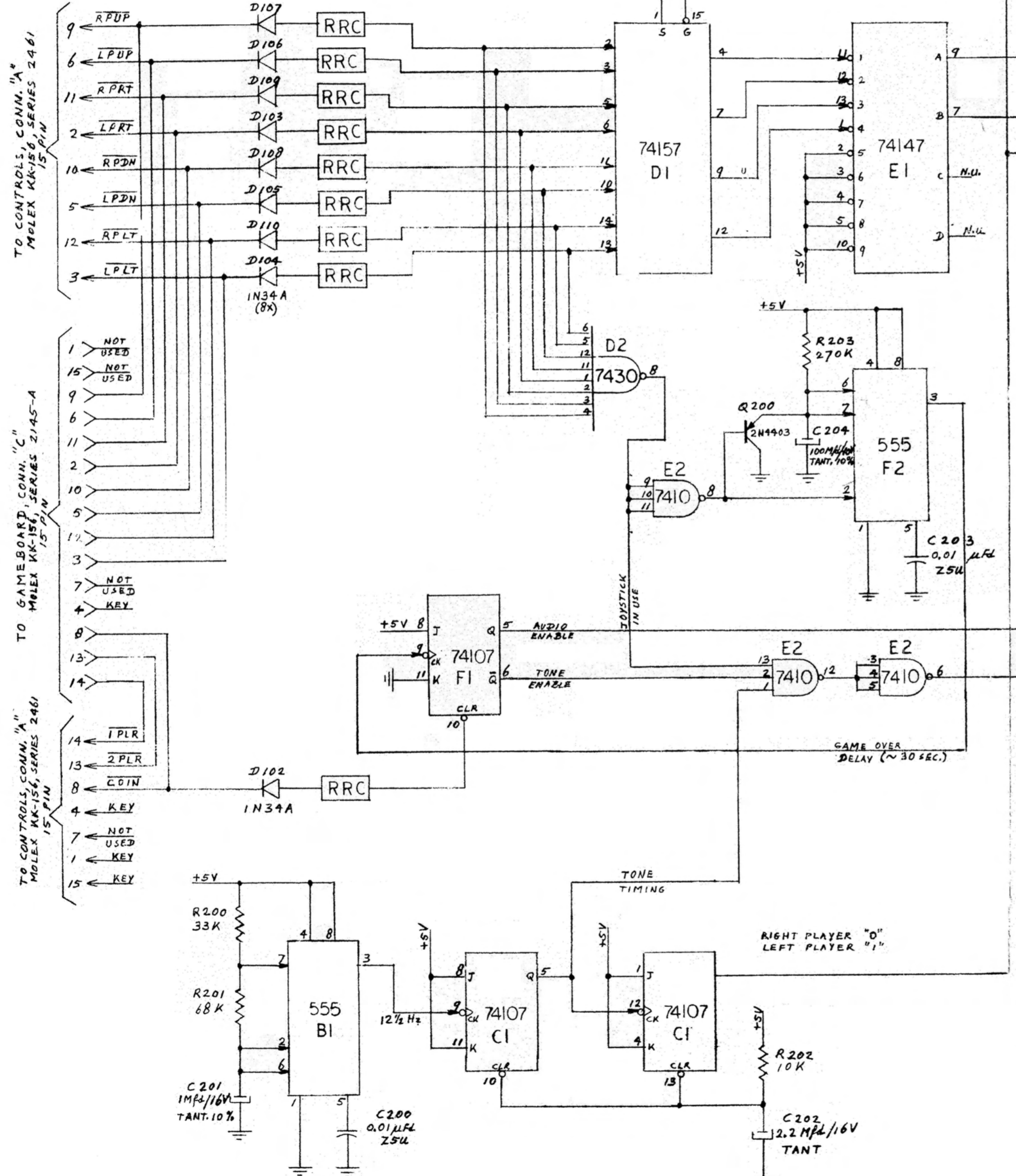
TONE GENERATION



PRE-AMPLIFIER

AUDIO AMPLIFIER

NOTE: * INDICATES -
"MYLAR" CAPACITOR,
10 %, > 25 VOLTS



TO CONTROLS, CONN. "A"
MOLEX KK-156, SERIES 2461
15 PIN

TO GAME BOARD, CONN. "C"
MOLEX KK-156, SERIES 2145-A
15 PIN

TO CONTROLS, CONN. "A"
MOLEX KK-156, SERIES 2461
15 PIN

TO GAME BOARD, CONN. "D"
MOLEX KK-156, SERIES 2145-A
8 PIN

TO CABLE HARNESS, CONN. "B"
MOLEX KK-156, SERIES 2461, 9 PIN

DO NOT SCALE DWG.		NO. REQ'D	USED ON AMAZING MAZE	MIDWAY MFG. CO. FRANKLIN PARK, ILL.	
DIM. TOLERANCES UNLESS SPECIFIED		SCALE	MATL.	PART NO.	
CONCENTRICITY T.I.R.008		DRN. L. DEKKER		SOUND CIRCUIT (OPTIONAL)	
FRACTIONAL ... ± 1/64		CKD.	HEAT TREAT	GAME BOARD ADD-ON	
DECIMAL ... ± .008		DATE March 9 77	FINISH	0611-00905	
HOLE DIA. ... +.002 - .000					