

GAME NO. 761 & 889
JULY 1980

MIDWAY'S EXTRA BASES PARTS AND OPERATING MANUAL



NO. 761 UPRIGHT



NO. 889 COCKTAIL



MIDWAY MFG. CO.

A BALLY COMPANY

10750 WEST GRAND AVENUE
FRANKLIN PARK, ILLINOIS 60131
U.S.A.

PHONE: (312) 451-1360

CABLE ADDRESS: MIDCO

TELEX NO.: 72-1596

TABLE OF CONTENTS

	Page No.
GENERAL INSTRUCTIONS—UPRIGHT	1—2
GENERAL INSTRUCTIONS—COCKTAIL	3—4
NO. 761—EXTRA BASES UPRIGHT—FRONT PICTURE	5—7
EXTRA BASES—REAR PICTURE	8—9
BALL CONTROL ASSEMBLY	10—11
FLUORESCENT FIXTURE ASSEMBLY	12—13
PUSH BUTTON ASSEMBLY	14—15
DOUBLE ENTRY COIN DOOR ASSEMBLY	16—17
NO. 889—EXTRA BASES COCKTAIL—FRONT PICTURE	18—19
EXTRA BASES COCKTAIL—INTERIOR ACCESS PICTURE	20—21
BALL CONTROL ASSEMBLY	22—23
SINGLE ENTRY COIN DOOR ASSEMBLY	24—25
TRANSFORMER BOARD ASSEMBLY	26—27
COMMERCIAL CARD RACK ASSEMBLY	28—29
POWER SUPPLY COMPONENT LAYOUT	30
POWER SUPPLY SCHEMATIC	31
WIRING DIAGRAM—UPRIGHT	32
WIRING DIAGRAM—COCKTAIL	33
GAME BOARD COMPONENT LAYOUT	34
GAME BOARD SCHEMATIC	35
RAM BOARD COMPONENT LAYOUT	36
RAM BOARD SCHEMATIC	37
C.P.U. COMPONENT LAYOUT	38
C.P.U. SCHEMATIC	39
P. C. BOARDS PARTS LIST	40
WELLS-GARDNER MONITOR SCHEMATIC	41
WELLS-GARDNER REPLACEMENT PARTS LIST	42—43
WELLS-GARDNER MONITOR SCHEMATIC—COCKTAIL	44

WARNING

THIS GAME MUST BE GROUNDED. FAILURE TO DO SO MAY RESULT IN DESTRUCTION TO ELECTRONIC COMPONENTS.

GENERAL INSTRUCTIONS FOR "EXTRA BASES"

INSTALLATION:

1. Remove shipping cleats located on bottom of cabinet.
2. Install four (4) provided leg levelers to bottom of cabinet and level cabinet.
3. The power is controlled by a switch located on top of the cabinet. Plug into A.C. only, 115 volts, 60 cycles.

LINE VOLTAGE SAFETY SWITCH:

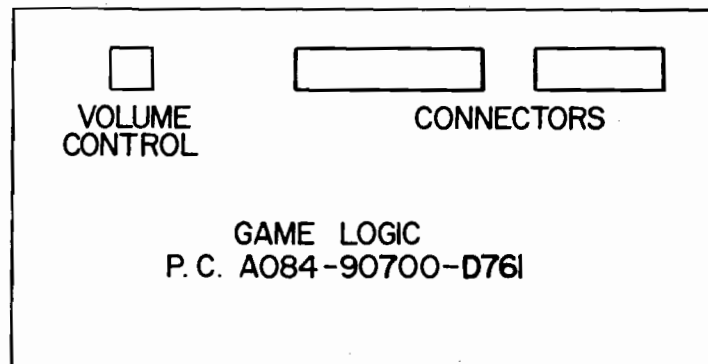
A line voltage safety switch has been provided for your protection. It is located on the right rear side of the cabinet. When the back door is removed, it opens the circuit to the line voltage. To restore power (when servicing), pull switch fully out.

VOLTAGE CONTROL POTS:

Located on Power Supply Board (P.C. A082-90401-B/D000) and are preset at the factory. These pots should not be tampered with unless the Distributor Service Department is contacted.

VOLUME CONTROL:

Located on Game Logic Board (P.C. A084-90700-D761) controls the volume of all sounds and may be varied as desired by rotating pot control.

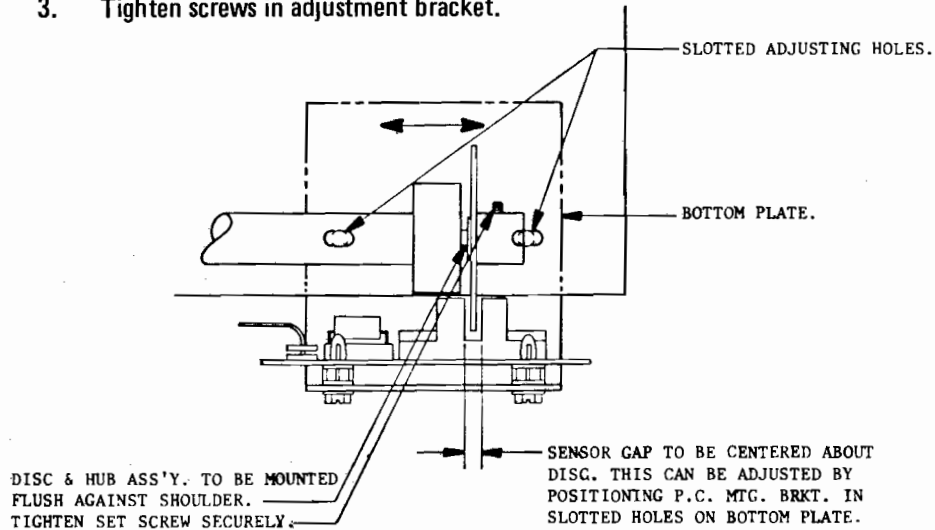


TO SERVICE CONTROL PANEL:

1. Open coin box door.
2. Release two (2) clamps located above coin door opening.
3. Disconnect control cable jack.

TO ALIGN BALL CONTROL SENSORS:

1. Loosen two (2) screws in slotted adjustment holes on sensor board mounting bracket.
2. Move sensor board mounting bracket until sensor disc is centered in sensor gap.
3. Tighten screws in adjustment bracket.



INNINGS PER COIN:

1 quarter	1 or 2 players	1 inning
2 quarters	1 or 2 players	3 innings
3 quarters	1 or 2 players	5 innings
4 quarters	1 or 2 players	7 innings
5 quarters	1 or 2 players	9 innings

NOTE: As an option, a kit to accept the Susan B. Anthony Dollar coin (9 innings-1 coin) will be available at your Distributor upon request.

ELECTRICAL BULLETIN:

FOR ALL APPARATUS COVERED BY THE CANADIAN STANDARDS ASSOCIATION (CSA) STANDARD C22.2 NO. 1, WHICH EMPLOYS A SUPPLY CORD TERMINATED WITH A POLARIZED 2-PRONG ATTACHMENT PLUG.

CAUTION:

TO PREVENT ELECTRIC SHOCK DO NOT USE THIS (POLARIZED) PLUG WITH AN EXTENSION CORD, RECEPTACLE OR OTHER OUTLET UNLESS THE BLADES CAN BE FULLY INSERTED TO PREVENT BLADE EXPOSURE.

ATTENTION:

POUR PREVENIR LES CHOCS ELECTRIQUES NE PAS UTILISER CETTE FICHE POLARISEE AVEC UN PROLONGATEUR. UNE PRISE DE COURANT OU UNE AUTRIE SORTIE DE COURANT, SAUF SI LES LAMES PEUVENT ETRE INSEREES A FOND SANS EN LAISSER AUCUNE PARTIE A DECOUVERT.

GENERAL INSTRUCTIONS FOR "EXTRA BASES" C.T.

INSTALLATION:

1. Remove shipping cleats located on bottom of cabinet.
2. Install four (4) provided leg levelers to bottom of cabinet and level cabinet.
3. The power is controlled by a switch located on the bottom of the cabinet. Plug into A.C. only, 115 volts, 60 cycles.

LINE VOLTAGE SAFETY SWITCH:

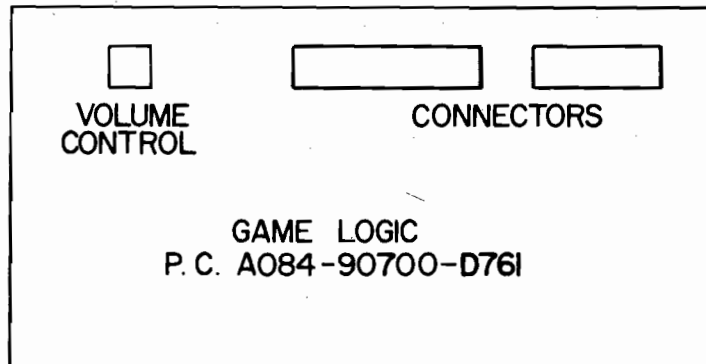
A line voltage safety switch has been provided for your protection. It is located in the cabinet on the left side of the coin door. When the coin door is opened the circuit to the line voltage is interrupted. To restore power (when servicing), pull switch fully out.

VOLTAGE CONTROL POTS:

Located on power supply board (P.C. A082-90408-D/1000) and are preset at the factory. These pots should not be tampered with unless the distributor service department is contacted.

VOLUME CONTROL:

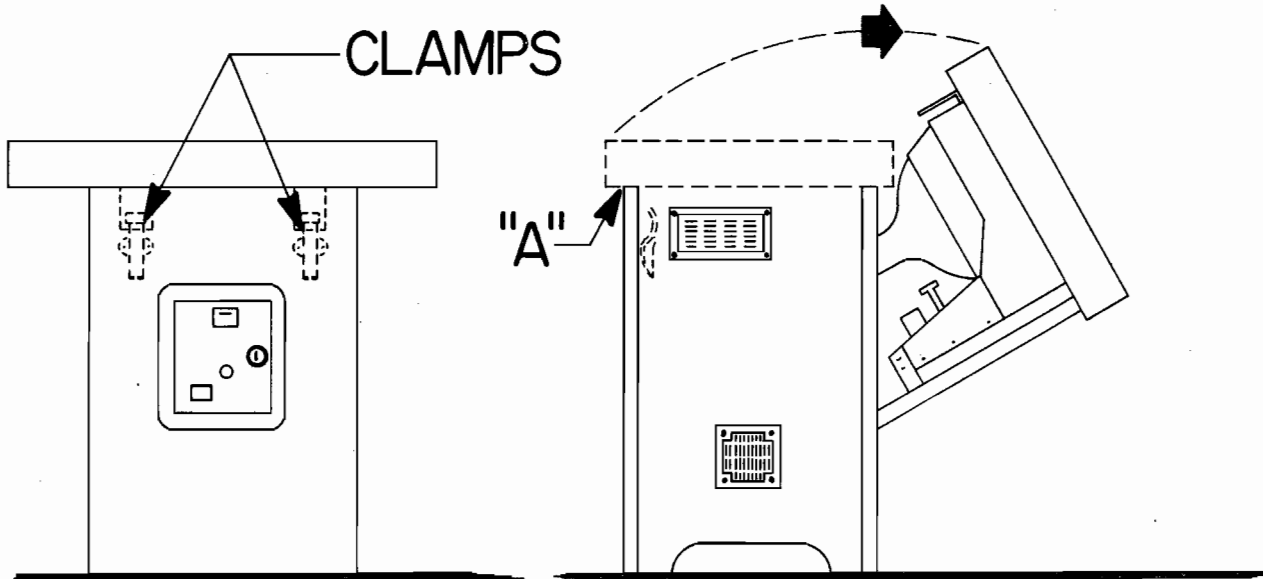
Located on game logic board (P.C. A084-90700-D761) controls the volume of all sounds and may be varied as desired by rotating pot control.



TO SERVICE MONITOR, GAME BOARD TRANSFORMER ASSY., CONTROL PANEL ASSY.

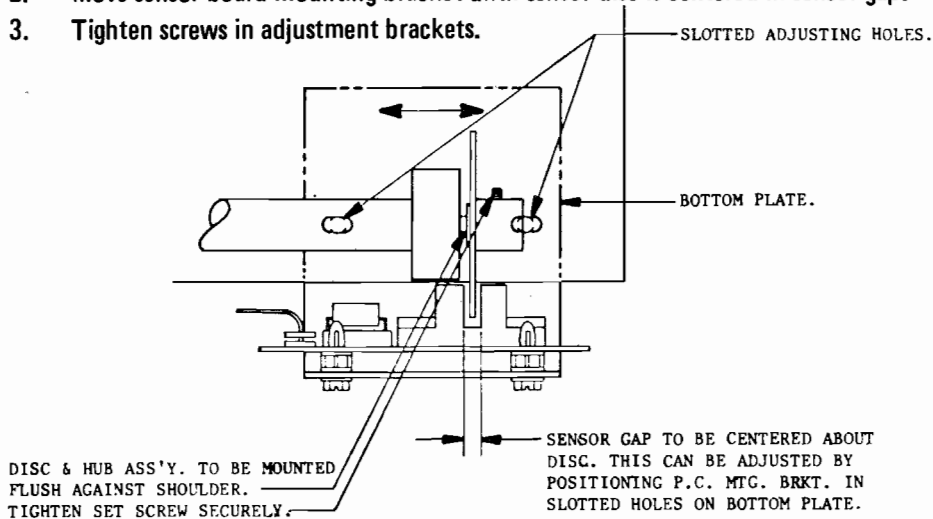
1. Open coin box door and release two (2) clamps indicated on sketch below. Caution right clamp close to high voltage on monitor!
2. Grasp monitor mounting panel at "A" and open as indicated in sketch below. Latch slide will hold top in open position.
3. To close top, release latch by lifting latch slide.

CAUTION: Due to the weight of the monitor, extreme care must be exercised with opening cabinet for service.



TO ALIGN BALL CONTROL SENSORS:

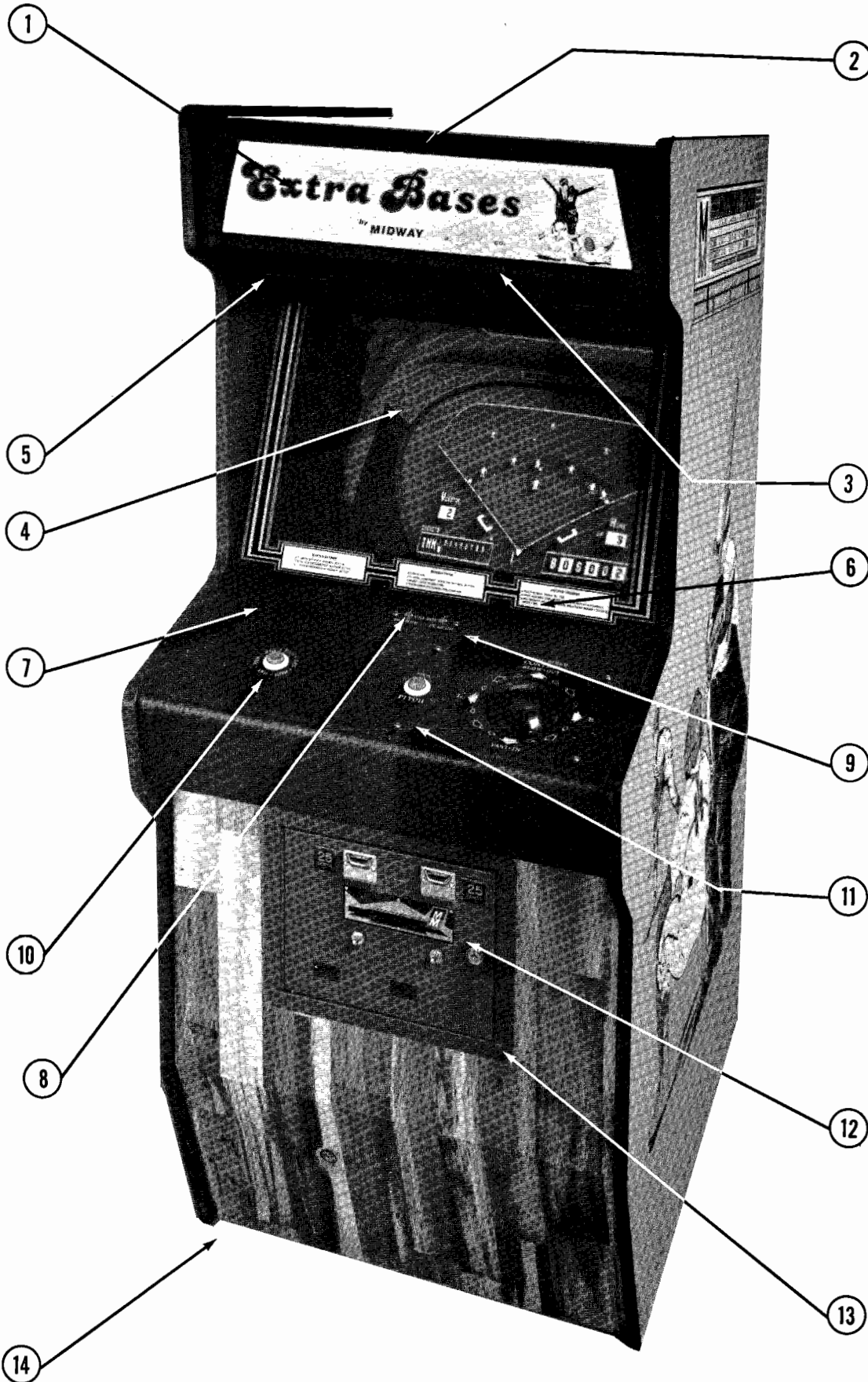
1. Loosen two (2) screws in slotted adjustment holes on sensor board mounting bracket.
2. Move sensor board mounting bracket until sensor disc is centered in sensor gap.
3. Tighten screws in adjustment brackets.



INNINGS PER COIN:

1 quarter	1 or 2 players	1 inning
2 quarters	1 or 2 players	3 innings
3 quarters	1 or 2 players	5 innings
4 quarters	1 or 2 players	7 innings
5 quarters	1 or 2 players	9 innings
All Sws. must be in "OFF" position.		

NO. 761 – EXTRA BASES – FRONT PICTURE



MIDWAY MFG. CO.
A BALLY COMPANY

NO. 761 – EXTRA BASES – FRONT PICTURE

ORDER BY PART NUMBER ONLY

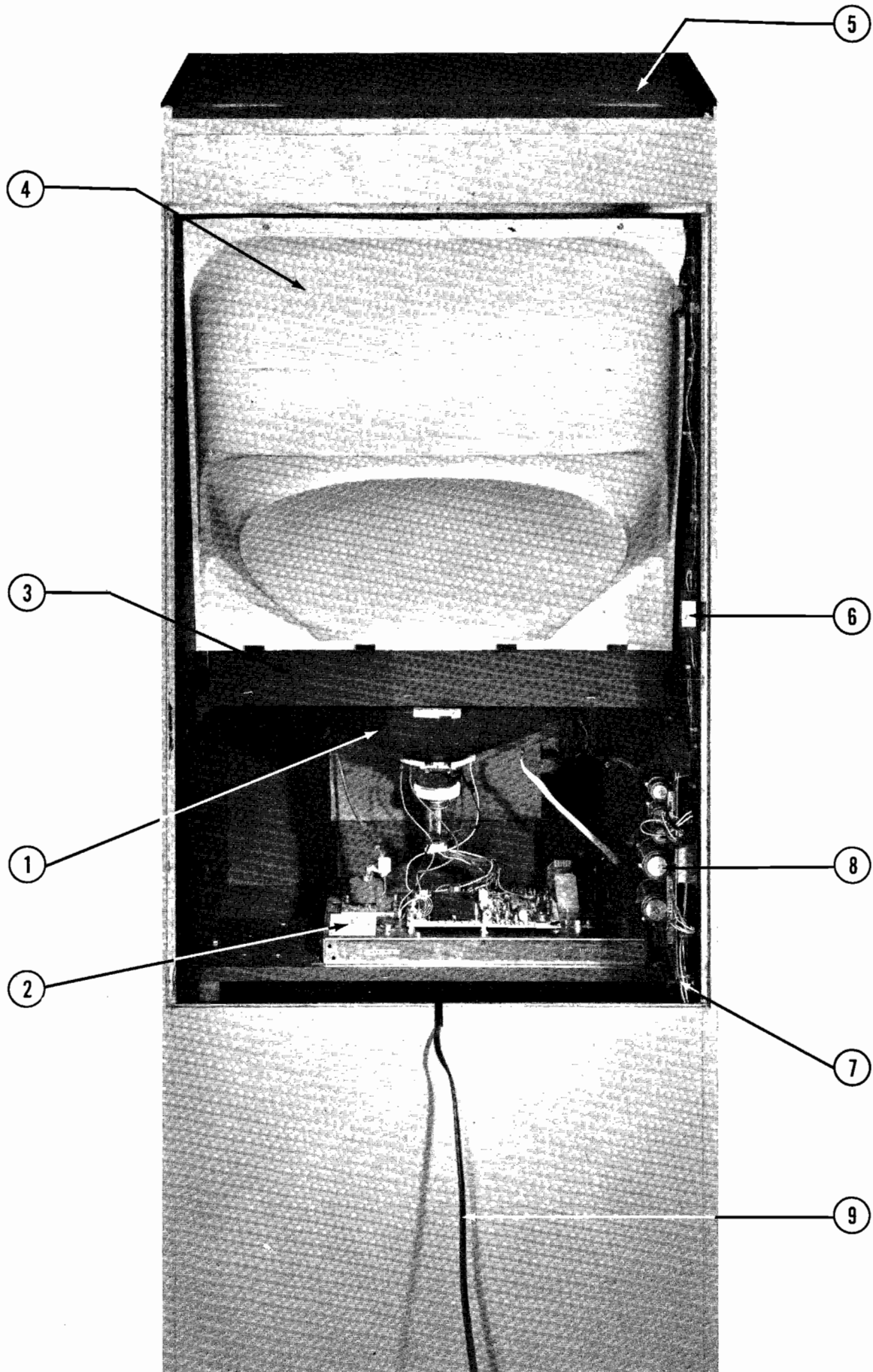
ITEM	PART NO	DESCRIPTION
1	0761-00904-00XF	UPPER DISPLAY PLEX – 24-7/8 x 6-3/4 x 3/16
2	0761-00103-00XF	TOP - PLEXI RETAINING BRKT.
3	0761-00102-00XF	BOTTOM - PLEXI RETAINING BRKT.
	0017-00101-0742	#8 x 1/2 PHIL. TRUSS HD. M.S. (6 REQ'D.)
4	A761-00010-0000	VACU-FORMED BACKGROUND SCENERY ASSY.
5	0017-00009-0482	SPEAKER GRILL - BLACK (2 REQ'D.)
	0017-00003-0161	4" ROUND SPEAKER, 8 OHM. (2 REQ'D.)
	0017-00101-0642	#8-32 x 1-1/2 CARRIAGE BOLT (8 REQ'D.)
	0017-00103-0061	#8-32 HEX LOCK NUT (8 REQ'D.)
6	0761-00901-00XF	FRONT DISPLAY GLASS – 24-7/8 x 17-1/8 x 3/16
7	0761-00115-00XF	SHELF BRKT.
	0017-00101-0117	#8 x 5/8 PHIL. TRUSS HD. M.S. (3 REQ'D.)
8	0017-00032-0051	PUSH BUTTON SWITCH (2 REQ'D.)
9	0761-00110-00XF	SELECTION PLATE
10	0761-00106-00XF	BUTTON PLATE
11	0761-00109-00XF	BALL PLATE
12	A090-00020-2003	COIN DOOR ASSEMBLY (DOUBLE ENTRY)
	0017-00101-0121	#6-32 x 5/16 PHIL TRUS HD. M.S. (3 REQ'D.) (MOUNTS COIN DOOR TO FRAME)
	A090-00057-0000	COIN METER ASSY.
13	0090-00002-02BR	DOUBLE ENTRY COIN DOOR FRAME
	0017-00104-0022	#8 WASHER (4 REQ'D.)
	0017-00103-0010	#10-32 HEX NUT (4 REQ'D.)
14	0017-00102-0048	LEG LEVELERS (4 REQ'D.)
	0017-00103-0026	LEG LEVELER NUTS (4 REQ'D.)
		<u>NOT SHOWN LIST</u>
	0761-00903-0000	2 WAY MIRROR 24-13/16 x 20-1/8 x 1/4
	0761-00101-0000	MIRROR TOP SUPPORT
	0017-00101-0025	#8 x 1/2 HEX HD. WD. SCREW (3 REQ'D.)
	A761-00015-00XF	GLASS & PLASTIC SUPPORT ASSEMBLY
	0017-00101-0031	#8 x 1" SLT. HEX HD. SCR. (2 REQ'D.)
	0603-00131-0000	STRIKE (2 REQ'D.)
	0017-00009-0033	BASSICK CLAMP (2 REQ'D.)
	0017-00101-0027	#8 x 3/4 HEX HD. S.M.S. (4 REQ'D.)

NO. 761 – EXTRA BASES – FRONT PICTURE

ORDER BY PART NUMBER ONLY

ITEM	PART N ^o	DESCRIPTION
	A097-00001-0000	BACK DOOR LOCK ASSY.
	0017-00009-0477	COIN BOX
	A623-00013-0000	COIN BOX COVER ASSY.
	A624-00001-0000	COIN BOX GUIDE BRKT. ASSY.
	0624-00101-0000	COIN BOX GUIDE BRKT.
	0017-00101-0628	#8-32 x 3/4 CARRIAGE BOLT (4 REQ'D.)
	0017-00104-0022	#8 WASHER (4 REQ'D.)
	0017-00103-0061	#8-32 HEX NUT SEMS (4 REQ'D.)

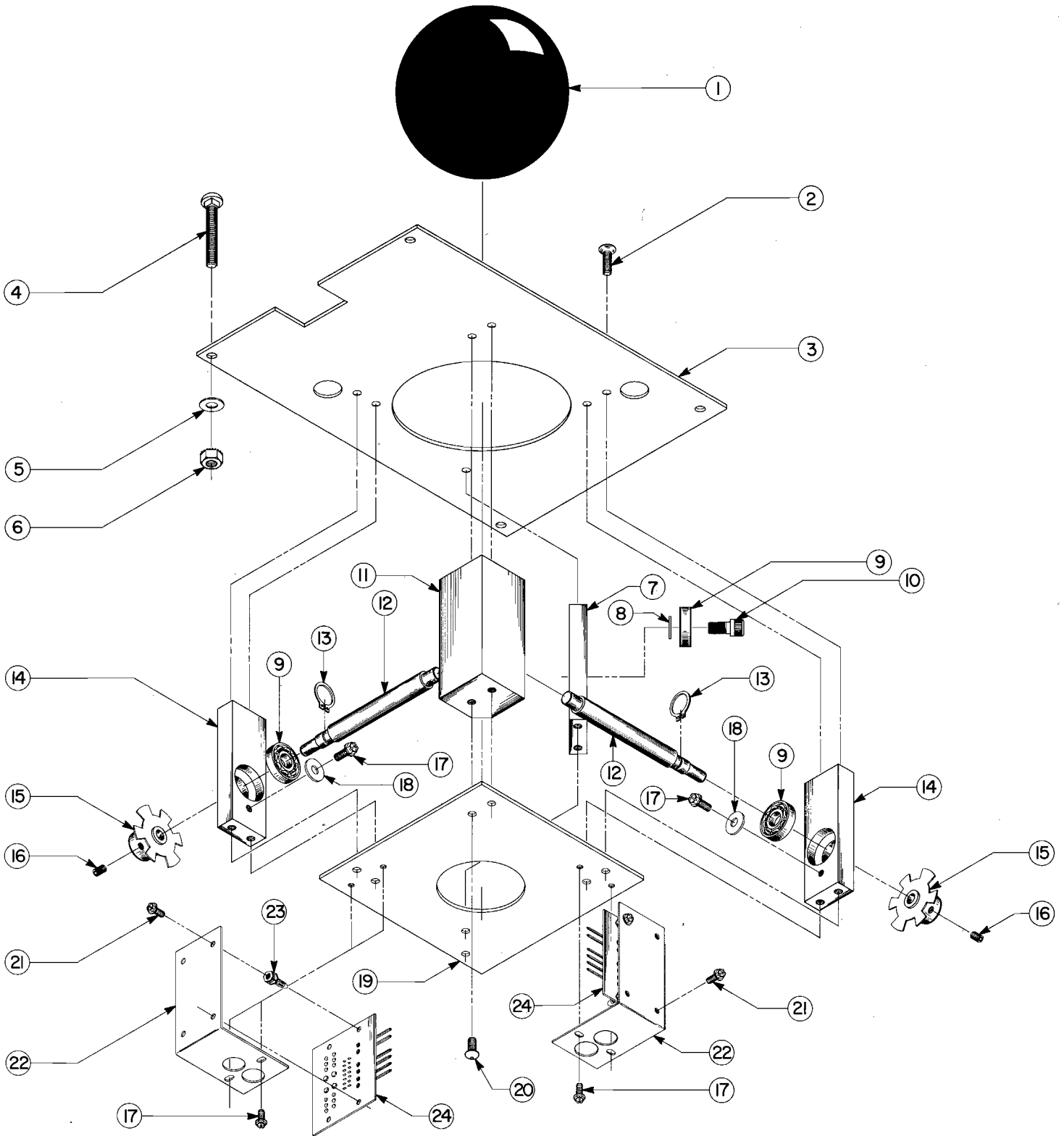
NO. 761 – EXTRA BASES – BACK PICTURE



ORDER BY PART NUMBER ONLY

ITEM	PART NO	DESCRIPTION
1	0017-00003-0199	23" BLACK & WHITE MONITOR (C.R.T.)
2	0017-00003-0198	23" CHASSIS W/O YOKE
	0592-00104-0100	CHASSIS MTG. BRKT. – RIGHT
	0592-00104-0200	CHASSIS MTG. BRKT. – LEFT
	0161-00100-0000	T.V. MTG. WASHER (4 REQ'D.)
	0017-00101-0639	#8-32 - 1-1/4 CARRIAGE BOLT (4 TUBE, 4 CHASSIS)
	0017-00104-0022	#8 WASHER (4 TUBE, 4 CHASSIS)
	0017-00103-0061	#8-32 HEX NUT SEMS. (4 TUBE, 4 CHASSIS)
	A739-00010-0000	DAG SPRING ASSY.
	3000-17143-0300	GROUND STRAPS
	0761-00115-0000	FISHPAPER SHIELD 12" x 7-1/2"
3	0761-00906-0000	TUBE CARDBOARD COVER BEZEL
4	A761-00010-0000	VACU-FORMED BACKGROUND SCENERY ASSY.
	0017-00101-0014	#6 x 3/4 SLT. HEX HD. WD. SCR. (3 REQ'D.)
5	0017-00032-0005	ON-OFF SWITCH W/NUT, 120V., 6A.
	0567-00106-0100	SWITCH MTG. PLATE
	0017-00101-0028	#8 x 3/4 HEX HD. SCREW (4 REQ'D.)
6	0017-00003-0225	INTERLOCK SWITCH
	A645-00022-00XF	SWITCH MTG. BRKT.
	0017-00101-0028	#8 x 3/4 HEX HD. SCREW (2 REQ'D.)
7	A761-00018-0000	MASTER CABLE ASSY.
	A761-00021-0000	CONTROL PANEL CABLE ASSY.
	A761-00020-0000	MECH PANEL CABLE ASSY.
	A761-00016-0000	TOP PANEL LAMP CABLE ASSY.
	A761-00022-0000	COIN DOOR CABLE ASSY.
8	A082-90401-D000	POWER SUPPLY BRD. ASSY.
	0624-00902-0100	P.C. SUPPORT BRKT. – 12 IN. (2 REQ'D.)
	0624-00902-0300	P.C. SUPPORT BRKT. – 2-1/2 IN. (2 REQ'D.)
9	0017-00003-0064	LINE CORD
	0761-00104-0000	<u>TOP DISPLAY PANEL LAMP ASSY.</u>
	0017-00003-0135	SOCKET MOUNTING BRKT. (2 REQ'D.)
	0017-00003-0309	LAMP SOCKET (2 REQ'D.)
	0017-00101-0626	LAMP 120V. 25W. (2 REQ'D.)
	0017-00101-0626	#8-32 x 3/4 SLT. PAN HD. M.S. (4 REQ'D.)
	0017-00103-0061	#8-32 HEX NUT W/SEMS (4 REQ'D.)
	0017-00101-0025	#8 x 1/2 SLT. HEX HD. BLK. WD. SCR. (4 REQ'D.)

NO. 761 – EXTRA BASES – BALL CONTROL ASSY.

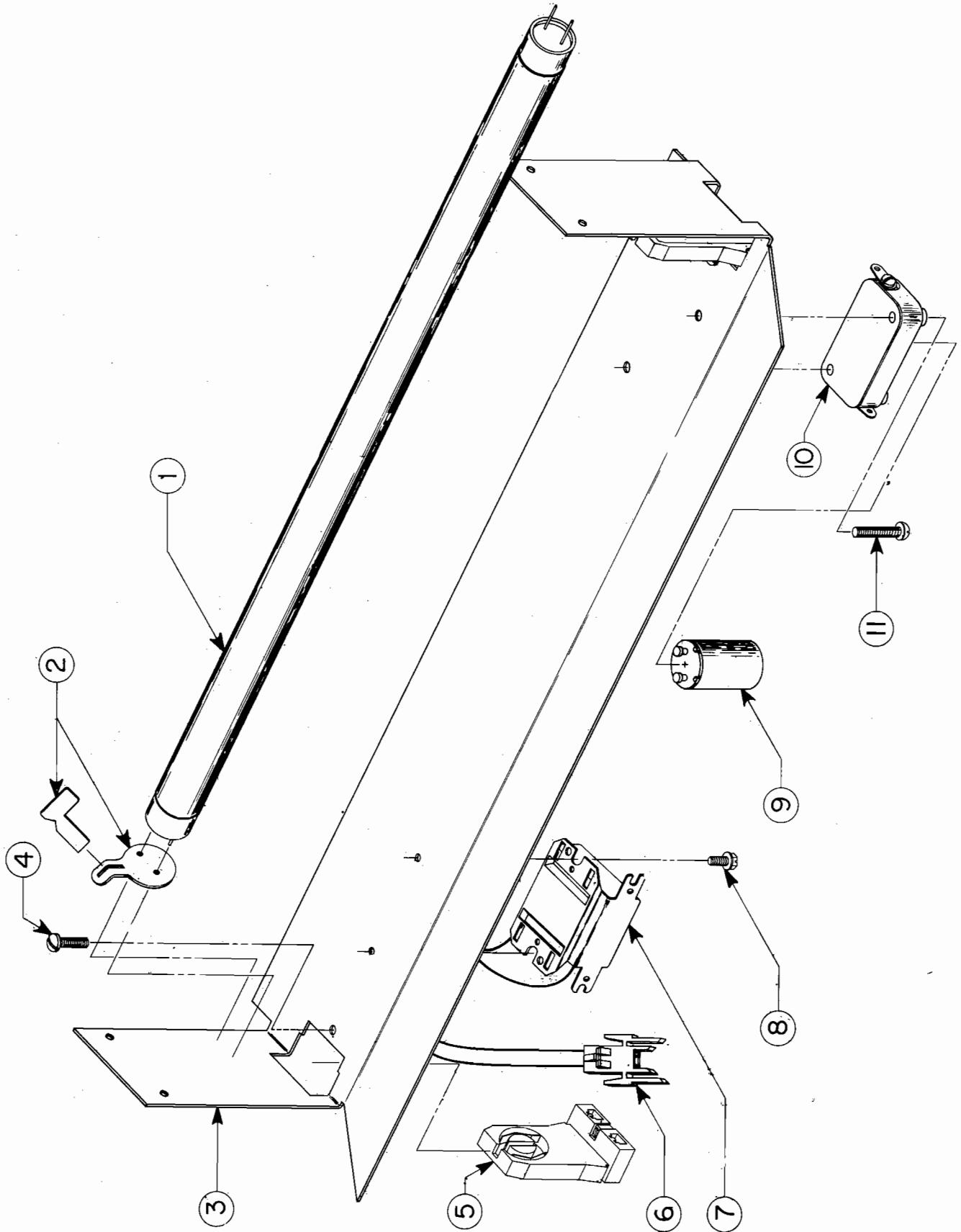


NO. 761 – EXTRA BASES – BALL CONTROL ASSY.

ORDER BY PART NUMBER ONLY

ITEM	PART NO	DESCRIPTION
1	0017-00041-0618	4-1/2" DIA. RUBBER BALL
2	0017-00101-0120	#10-24 x 1/2 FLAT HEX HD. M.S. (7 REQ'D.)
3	0761-00108-0000	TOP PLATE
4	0017-00101-0639	#8-32 x 1-1/4 CARRIAGE BOLT (4 REQ'D.)
5	0017-00104-0022	#8 WASHER (4 REQ'D.)
6	0017-00103-0061	#8-32 HEX NUT SEMS. (4 REQ'D.)
7	0761-00703-0000	IDLER POST
8	0017-00104-0029	WASHER
9	0017-00006-0079	ROLLER BEARING .375 x .875 (5 REQ'D.)
10	0017-00102-0033	3/8-12 x 3/4 HEX HD. SOCKET SCREW
11	0761-00700-0000	CORNER POST
12	0761-00702-00XF	BALL SUPPORT SHAFT (2 REQ'D.)
13	0017-00100-0113	3/8 RETAINING RING (2 REQ'D.)
14	0761-00701-0000	BRIDGE POST (2 REQ'D.)
15	A761-00012-0000	DISC ASSY. (2 REQ'D.)
16	0017-00101-0308	#8-32 x 3/16 HEX HD. SOC. SET SCR. (4 REQ'D.)
17	0017-00101-0599	#8-32 x 3/8 SLT. HEX HD. S.M.S. (6 REQ'D.)
18	0017-00104-0026	#8 WASHER – 1/2 O.D. (2 REQ'D.)
19	0761-00107-0000	BASE PLATE
20	0017-00101-0119	#10-24 x 1/2 BUT HEX HD. M.S. (8 REQ'D.)
21	0017-00101-0555	#6-32 x 5/16 SLT. HEX HD. M.S. (8 REQ'D.)
22	0761-00105-0000	SENSOR P.C. MTG. PLATE (2 REQ'D.)
23	0017-00007-0143	1/4 IN. SPACER (8 REQ'D.)
24	A082-91323-E000	BALL CONTROL SENSOR P.C. BRD. ASSY. (2 REQ'D.)

NO. 761 – EXTRA BASES – FLUORESCENT FIXTURE ASSY.

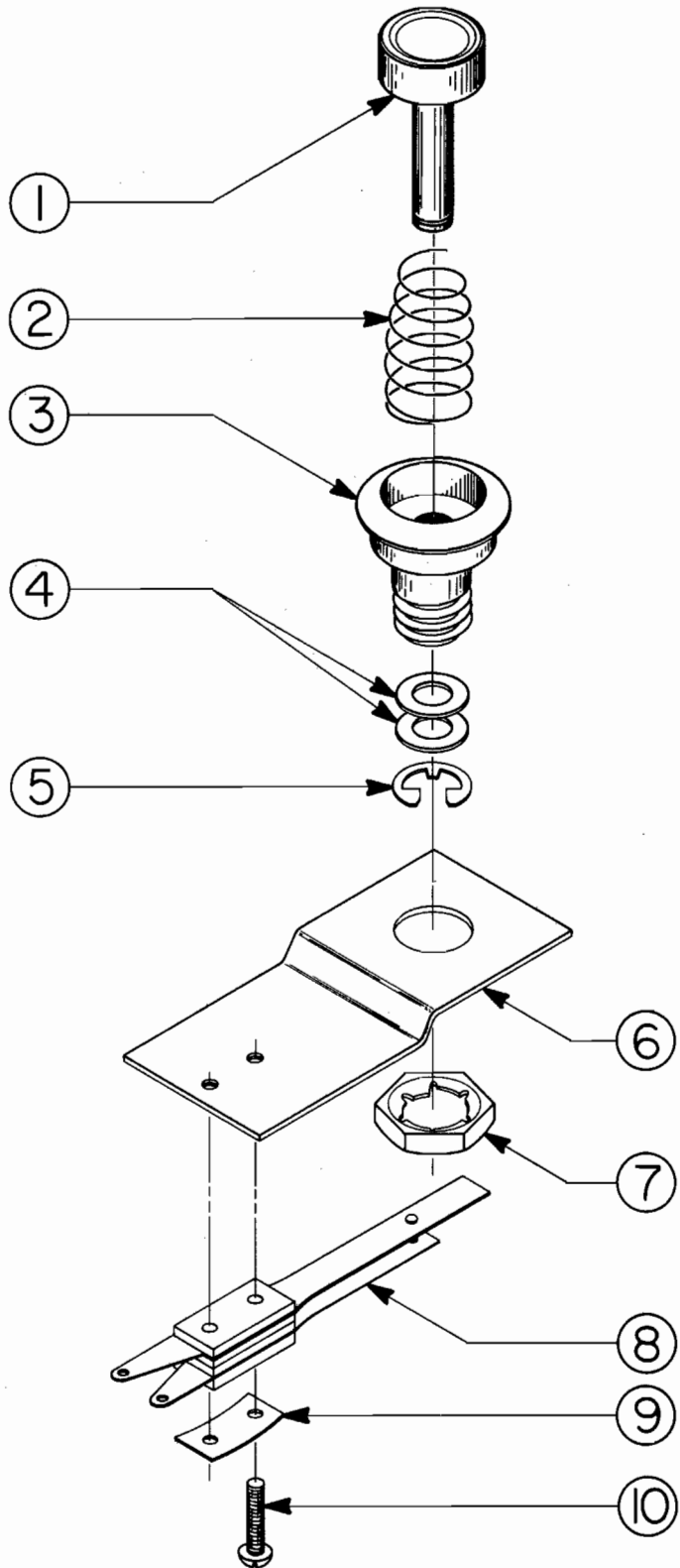


NO. 761 – EXTRA BASES – FLUORESCENT FIXTURE ASSY.

ORDER BY PART NUMBER ONLY

ITEM	PART NO	DESCRIPTION
1	0017-00003-0110	24 IN. BLACK LIGHT LAMP
2	0017-00021-0005	FLUORESCENT LOCKS (2 REQ'D.)
3	0761-00100-0000	FLUORESCENT BRKT.
4	0017-00101-0573	#6-32 x 1/2 SLT. RND. HD. M.S. (2 REQ'D.)
5	0017-00031-0036	FLUORESCENT SOCKET (2 REQ'D.)
6	0017-00021-0096	2 PIN SOCKET CONNECTOR
7	0017-00003-0026	BALLAST
8	0017-00101-0086	#8 x 5/16 WASHER HEX HD. M.S. (2 REQ'D.)
9	0017-00003-0019	STARTER
10	0017-00021-0079	STARTER HOLDER
11	0017-00101-0528	#5-40 x 3/4 R.H.M.S. (2 REQ'D.)
		<u>NOT SHOWN LIST</u>
	0761-00905-0000	FLUORESCENT REFLECTOR (2 REQ'D.)
	0605-00911-0000	REFLECTOR BONDING TAPE (4 REQ'D.)
	A761-00017-0000	FLUOR. LAMP CABLE ASSY.

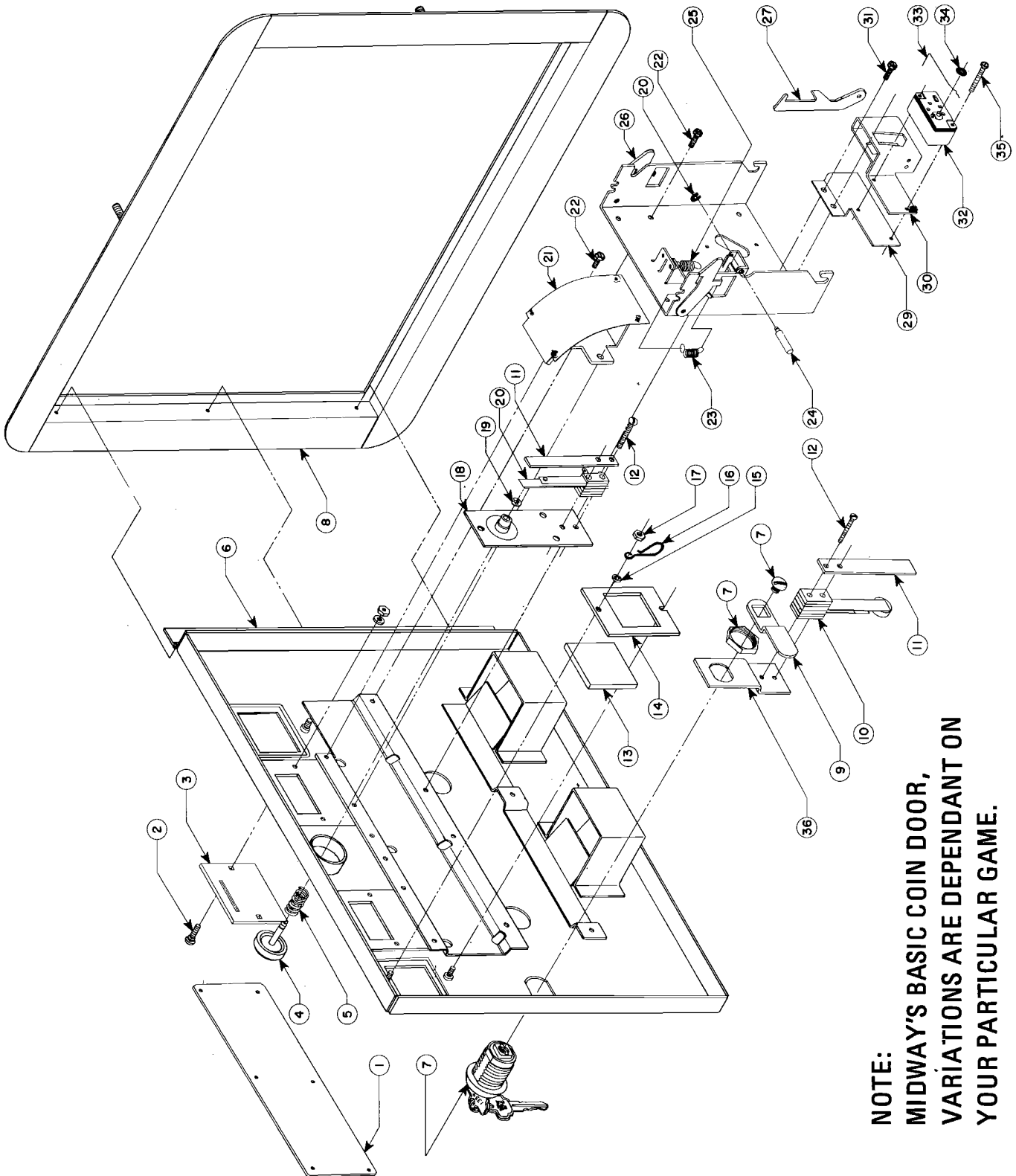
NO. 761 – EXTRA BASES – PUSH BUTTON ASSY.



NO. 761 – EXTRA BASES – PUSH BUTTON ASSY.
ORDER BY PART NUMBER ONLY

ITEM	PART NO	DESCRIPTION
1	0017-00009-B384	BUTTON - RED
2	0010-00242-0000	SPRING
3	0017-00009-0376	BUTTON HOUSING
4	0017-00104-0028	FLAT WASHER (2 REQ'D.)
5	0017-00100-0025	1/4 IN. E-RING
6	A761-00014-0000	PUSH BUTTON ASSY. (FIRST 5 ITEMS)
7	0586-00107-0000	MOUNTING BRKT.
8	0017-00103-0054	PAL NUT
9	A739-00016-0000	SWITCH ASSEMBLY
10	0020-00202-0000	SWITCH PLATE
	0017-00101-0526	#5-40 x 9/16 PHIL. HD. M.S. (2 REQ'D.)

NO. 761 – EXTRA BASES – FRONT DOOR ASSY.



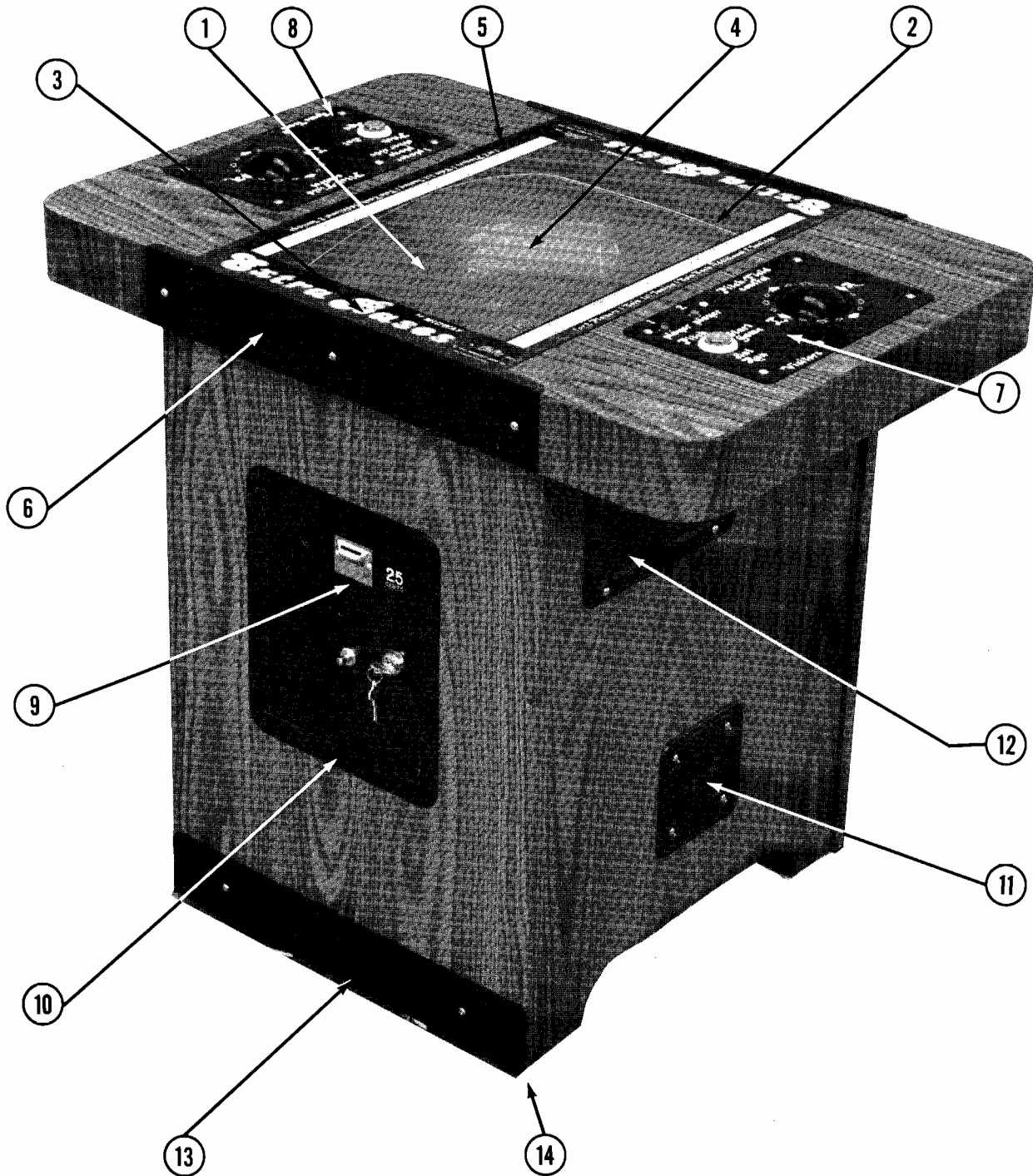
**NOTE:
MIDWAY'S BASIC COIN DOOR,
VARIATIONS ARE DEPENDANT ON
YOUR PARTICULAR GAME.**

NO. 761 – EXTRA BASES – FRONT DOOR ASSY.

ORDER BY PART NUMBER ONLY

ITEM	PART NO	DESCRIPTION
1	0090-00902-0000	DRESS PLATE
	0090-00902-0100	DRESS PLATE W/O PRESS BUTTON TO START GAME)
2	0017-00101-0552	#6-32 x 1/4 CARRIAGE BOLT (2)
3	0090-00117-03XF	COIN ENTRY PLATE (25¢)
4	0090-00906-0000	PLASTIC START BUTTON
5	0010-00007-0000	COMPRESSION SPRING
6	A090-00020-2003	DOOR ASSY. DOUBLE ENTRY
7	0017-00005-0050	DOOR LOCK & KEY WITH SCREW & NUT
8	0090-00002-02BR	DOUBLE DOOR FRAME
9	0017-00005-0041	421 N.S. CAM
10	0090-00901-0000	DOOR SWITCH
11	0090-00126-01XF	SWITCH BACKUP PLATE
12	0017-00101-0528	#5-40 x 3/4" LNG. M.S.
13	0090-00903-0040	25¢ WINDOW
14	0090-00143-0000	COIN PLEX RETAINER
15	0017-00104-0002	SPLIT LOCK WASHER
16	0017-00007-0019	KEY HOOK
17	0017-00103-0005	#6-32 HEX NUT
18	0090-00010-0000	SW. PLATE & OILLITE ASSY.
19	0017-00100-0018	"E" RING
20	0090-00131-0000	SWITCH
21	0090-00104-0000	TOP & BTM. COIN CHUT W/BRKT. ASSY.
22	0017-00101-0598	#8-32 x 5/16 SCREW
23	0010-00181-0100	SPRING
24	0090-00129-00XF	PIVOT POST
25	0010-00134-0000	SPRING
26	0090-00008-0000	ACCEPTOR FRAME ASSY.
27	0093-00155-00XF	REJECTOR LEVER
28	0017-00100-0012	"E" RING
29	0093-00151-00XF	COIN GUIDE MTG. BRACKET
30	0090-00005-0000	COIN GUIDE ASSY.
31	0017-00101-0555	#6-32 x 5/16 SCREW
32	0017-00005-0039	COIN SWITCH
33	0010-00557-2500	TRIP WIRE
34	0017-00007-0132	PUSH-ON RING (BIK)
35	0017-00101-0507	#4-36 x 3/4 SCREW
36	0090-00128-00XF	SWITCH BRKT. - DOOR TILT
	A090-00061-0000	ANTI-STRING DEVICE ASSY. (REPLACES ITEM 30)
	A090-00064-0000	ANTI-PENNY DEVICE ASSY.

NO. 889 – EXTRA BASES COCKTAIL – PICTURE

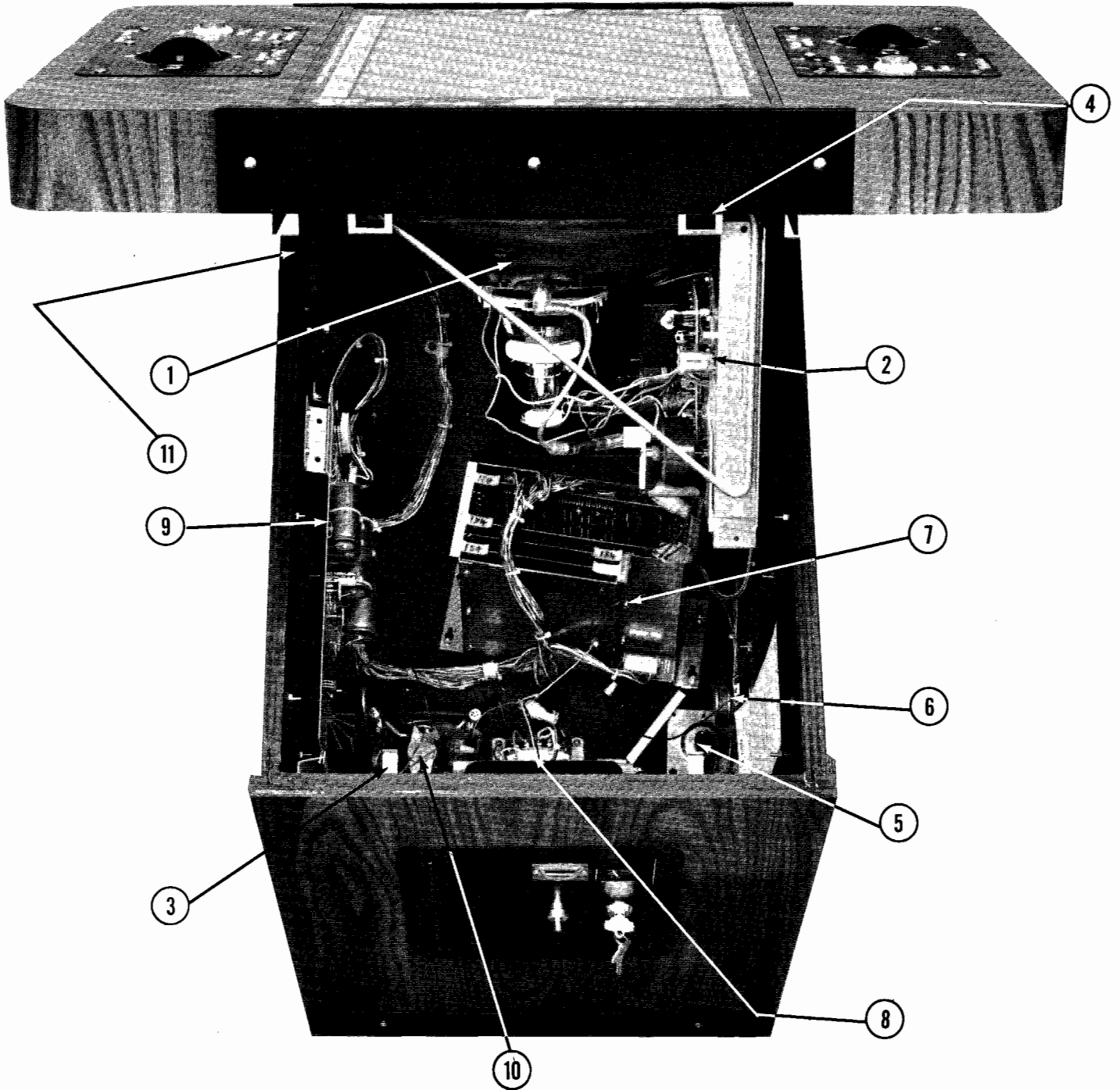


MIDWAY MFG. CO.
A BALLY COMPANY

NO. 889 – EXTRA BASES COCKTAIL – PICTURE
ORDER BY PART NUMBER ONLY

ITEM	PART NO	DESCRIPTION
1	0017-00003-0164	19" CATHODE RAY TUBE (C.R.T.)
2	0889-00902-0000	T.V. CARDBOARD BEZEL
3	A889-00015-0000	DISPLAY GLASS TO FOAM TAPE ASSY. 21-7/8" x 14-19/16" x 3/16"
4	0889-00903-0000	COLOR OVERLAY
5	0537-00903-0047	GLASS CHANNEL 21-7/8 LG. (2 REQ'D.)
6	0889-00108-00XF	GLASS RETAINING BRKT. (2 REQ'D.)
	0017-00101-0117	#8 x 5/8 PHIL TRUS HD. SCREW (6 REQ'D.)
7	0889-00104-01XF	TOP PLATE – PLAYER #1
8	0889-00104-02XF	TOP PLATE – PLAYER #2
9	A090-00058-0000	SINGLE ENTRY COIN DOOR W/COIN METER
10	0090-00002-01BK	COIN DOOR FRAME
	0017-00101-0121	#6-32 x 5/16 PHIL. TRUS HD. SCR. (3 REQ'D.) (MOUNTS COIN DOOR TO FRAME)
11	0017-00009-0482	SPEAKER GRILL (2 REQ'D.)
	0017-00003-0161	4 IN. SPEAKER, 8 OHM. (2 REQ'D.)
12	0017-00009-0393	VENTILATION GRILL (2 REQ'D.)
	0017-00101-0639	#8-32 x 1-1/4 CARRIAGE BOLT (16 REQ'D.)
	0017-00103-0061	#8-32 HEX NUT W/SEMS (16 REQ'D.)
13	0889-00109-00XF	KICK PLATE (2 REQ'D.)
	0017-00101-0027	#8 x 3/4 SLT. HEX HD. WD. SCR. (4 REQ'D.)
14	0017-00102-0048	LEG LEVELERS (4 REQ'D.)
	0017-00103-0026	LEG LEVELER NUTS (4 REQ'D.)
		NOT SHOWN LIST
	A749-00003-0000	COIN BOX ASSEMBLY
	A627-00056-0000	COIN BOX COVER ASSY.
	A625-00024-0000	COIN BOX GUIDE BRKT. ASSY.
	0625-00117-0000	COIN BOX GUIDE BRKT.
	0017-00101-0628	#8-32 x 3/4 CARRIAGE BOLT (4 REQ'D.)
	0017-00103-0008	#8-32 HEX NUT (4 REQ'D.)
	A151-00027-0000	INTERLOCK SWITCH & BRKT. ASSY.
	0017-00009-0495	2 IN. HINGE – CABINET TOP (2 REQ'D.)
	0017-00101-0639	#8-32 x 1-1/4 CARRIAGE BOLT (8 REQ'D.)
	0017-00103-0061	#8-32 HEX NUT W/SEMS (8 REQ'D.)
	3000-17143-0300	GROUND STRAP ASSY.
	0889-00501-0000	CABINET WOOD BASE – OPTIONAL

NO. 889 – EXTRA BASES COCKTAIL – INTERIOR ACCESS PICTURE



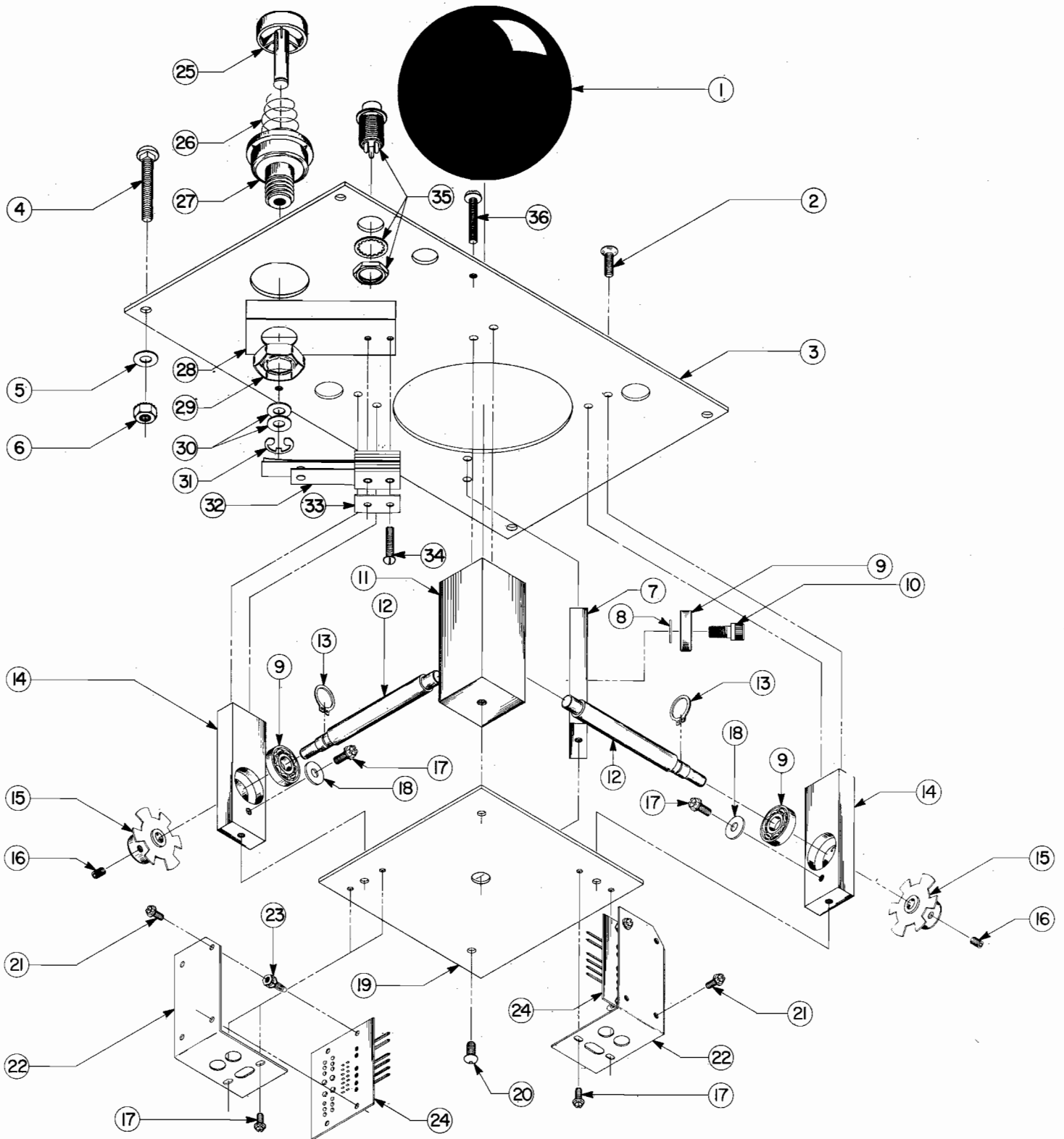
MIDWAY MFG. CO.
A BALLY COMPANY

NO. 889 – EXTRA BASES COCKTAIL – INTERIOR ACCESS PICTURE

ORDER BY PART NUMBER ONLY

ITEM	PART N ^o	DESCRIPTION
1	0017-00003-0164	19" MONITOR
2	0017-00003-0196	19" MONITOR CHASSIS W/YOKE
	0889-00107-00XF	MONITOR MTG. BRACKET (4 REQ'D.)
	0017-00101-0082	#10 x 3/4 UNSLOTTED HEX W/WASH. SCR. (8 REQ'D.)
3	0017-00009-0033	BASSICK CLAMP (2 REQ'D.)
	0017-00101-0026	#8 x 5/8 SLT. HEX HD. WD. SCR. (4 REQ'D.)
4	0889-00110-0000	STRIKE (2 REQ'D.)
	0017-00101-0027	#8 x 3/4 SLT. HEX HD. W/WASHER SCR. (4 REQ'D.)
5	A627-00066-0000	ON/OFF SWITCH ASSY.
	0017-00101-0017	#6 x 1/2 HEX HD. S.M.S. (6 REQ'D.)
6	0017-00003-0161	4 IN. SPEAKER, 8OHM (2 REQ'D.)
7	A889-00016-0000	COMMERCIAL CARD RACK ASSY.
8	A625-00018-0000	TRANSFORMER BRD. ASSY.
9	A082-90408-D000	POWER SUPPLY
	0624-00902-0100	P.C. SUPPORT BRKT. 12 IN.
	0624-00902-0500	P.C. SUPPORT BRKT. 6-1/2 IN. (2 REQ'D.)
10	A870-00009-0000	FAN ASSY.
	0017-00003-0310	EXHAUST FAN 115V., 60HZ.
	0017-00009-0485	FAN FINGER GUARD
	0869-00909-0000	FAN SHROUD (PLASTIC)
	0870-00700-00XF	FAN SPACER (4 REQ'D.)
	0017-00101-0583	#6-32 x 1-1/4 CARRIAGE BOLT (4 REQ'D.)
	0017-00103-0052	#6-32 LOCKNUT (4 REQ'D.)
	0017-00104-0019	#6 FLAT WASHER (4 REQ'D.)
11	A889-00017-0000	LATCH SLIDE ASSY. (MONITOR SUPPORT PROP)

NO. 889 – EXTRA BASES COCKTAIL – BALL CONTROL ASSEMBLY

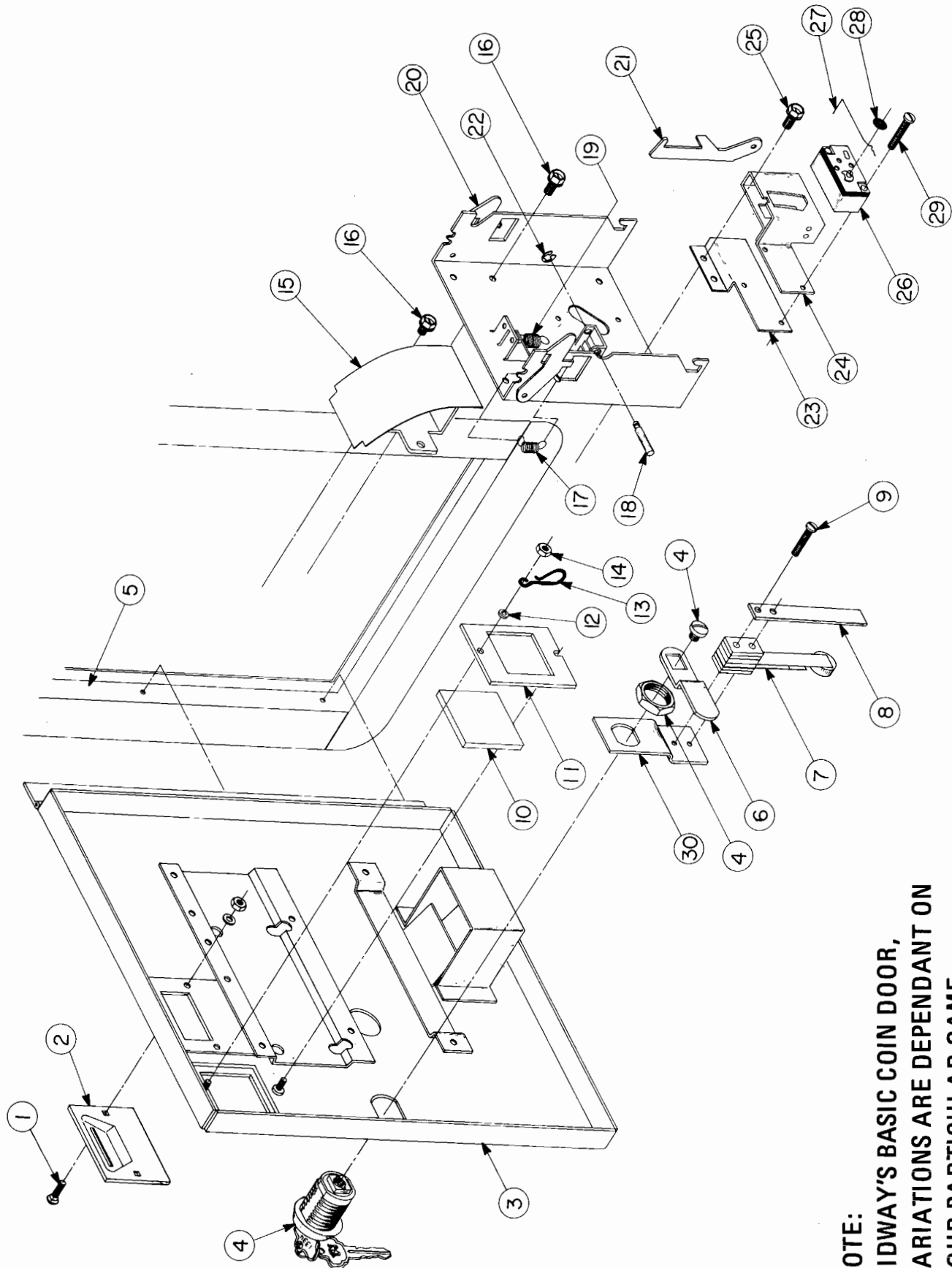


NO. 889 – EXTRA BASES COCKTAIL – BALL CONTROL ASSEMBLY

ORDER BY PART NUMBER ONLY

ITEM	PART NO	DESCRIPTION
1	0017-00041-0052	3 IN. DIA. RUBBER BALL
2	0017-00101-0120	#10-24 x 1/2 FLAT HEX HD. M.S. (8 REQ'D.)
3	0889-00102-0000	MOUNTING PLATE
4	0017-00101-0639	#8-32 x 1-1/4 CARRIAGE BOLT (4 REQ'D.)
5	0017-00104-0022	#8 WASHER (4 REQ'D.)
6	0017-00103-0061	#8-32 HEX NUT SEMS. (4 REQ'D.)
7	0889-00701-0000	MIDDLE POST
8	0017-00104-0101	WASHER
9	0017-00006-0080	ROLLER BEARING .250 (5 REQ'D.)
10	0017-00102-0010	1/4-20 x 1" HEX HD. SOCKET SCREW
11	0889-00703-0000	MAIN POST
12	0889-00702-00XF	BALL SUPPORT SHAFT (2 REQ'D.)
13	0017-00100-0114	1/4 RETAINING RING (2 REQ'D.)
14	0889-00704-0000	END POST (2 REQ'D.)
15	A889-00004-0000	DISC. ASSY. (2 REQ'D.)
16	0017-00101-0791	#8-32 x 1/4 HEX HD. SOC. SET SCR. (4 REQ'D.)
17	0017-00101-0599	#8-32 x 3/8 SLT. HEX HD. S.M.S. (6 REQ'D.)
18	0017-00104-0026	#8 WASHER - 1/2 O.D. (2 REQ'D.)
19	0889-00101-00XF	BOTTOM PLATE
20	0017-00101-0119	#10-24 x 1/2 BUTTON HEX HD. M.S. (4 REQ'D.)
21	0017-00101-0555	#6-32 x 5/16 SLT. HEX HD. M.S. (8 REQ'D.)
22	0889-00103-00XF	SENSOR P.C. MTG. PLATE (2 REQ'D.)
23	0017-00007-0143	1/4 IN. SPACER (8 REQ'D.)
24	A082-91323-E000	BALL CONTROL SENSOR P.C. BRD. ASSY. (2 REQ'D.)
25	0017-00009-B384	BUTTON – RED
26	0010-00242-0000	SPRING
27	0017-00009-0376	BUTTON HOUSING
28	0889-00100-0000	SWITCH MTG. BRKT.
29	0017-00103-0054	PAL NUT
30	0017-00104-0028	FLAT WASHER (2 REQ'D.)
31	0017-00100-0025	1/4 IN. E-RING
32	A889-00005-0000	SWITCH ASSEMBLY
33	0020-00202-0000	SWITCH PLATE
34	0017-00101-0528	#5-40 x 3/4 PHIL. HD. M.S. (2 REQ'D.)
35	0017-00032-0051	PUSH BUTTON SWITCH (2 REQ'D.) (PLAYER #1 CONTROL SHELF ONLY)
36	0017-00101-0609	#8-32 x 3/8 PHIL. TRUSS HD. SCR. (2 REQ'D.)

NO. 889 – EXTRA BASES COCKTAIL – FRONT DOOR ASSY.



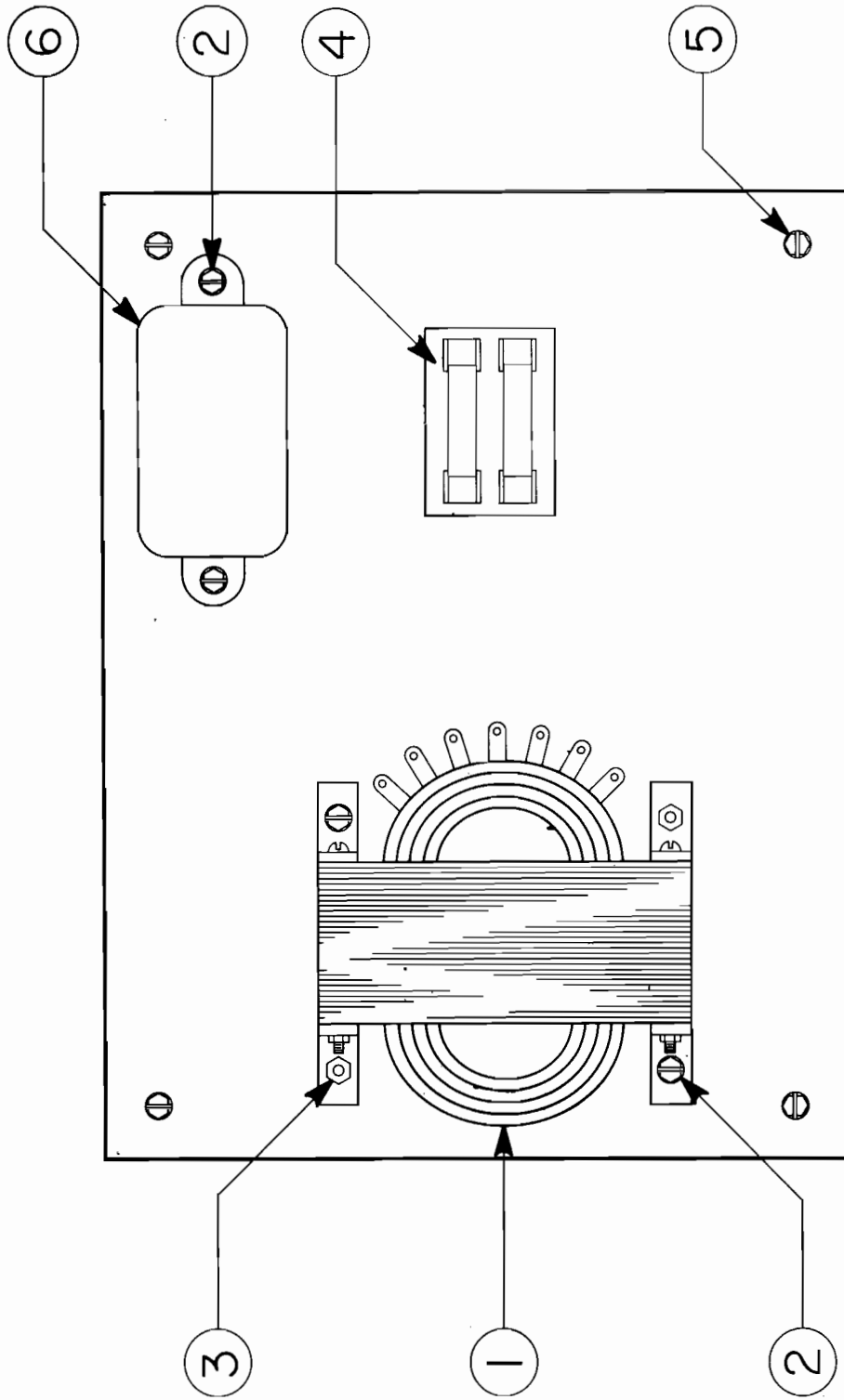
**NOTE:
MIDWAY'S BASIC COIN DOOR,
VARIATIONS ARE DEPENDANT ON
YOUR PARTICULAR GAME.**

NO. 889 – EXTRA BASES COCKTAIL – FRONT DOOR ASSY.

ORDER BY PART NUMBER ONLY

ITEM	PART N^o	DESCRIPTION
1	0017-00101-0552	#6-32 x 1/4 CARRIAGE BOLT (2 REQ'D.)
2	0090-00117-03XF	COIN ENTRY PLATE (25¢)
3	A090-00058-0000	DOOR ASSY. SINGLE ENTRY
4	0017-00005-0050	DOOR LOCK & KEY WITH SCREW & NUT
5	0090-00002-01BK	SINGLE DOOR FRAME
6	0017-00005-0041	421 N.S. CAM
7	0090-00901-0000	DOOR SWITCH
8	0090-00126-01XF	SWITCH BACKUP PLATE
9	0017-00101-0528	#5-40 x 3/4 LONG M.S. (2 REQ'D.)
10	0090-00903-0040	25¢ WINDOW
11	0090-00143-0000	COIN PLEX RETAINER
12	0017-00104-0002	SPLIT LOCK WASHER (2 REQ'D.)
13	0017-00007-0019	KEY HOOK
14	0017-00103-0005	#6-32 HEX NUT (2 REQ'D.)
15	0090-00104-0000	TOP & BOTTOM COIN CHUTE W/BRKT. ASSY.
16	0017-00101-0598	#8-32 x 5/16 SCREW (4 REQ'D.)
17	0010-00181-0100	SPRING
18	0090-00129-00XF	PIVOT POST
19	0010-00134-0000	SPRING
20	0090-00008-0000	ACCEPTOR FRAME ASSY.
21	0093-00155-00XF	REJECTOR LEVER
22	0017-00100-0012	E-RING
23	0093-00151-00XF	COIN GUIDE MTG. BRKT.
24	0090-00005-0000	COIN GUIDE ASSY.
25	0017-00101-0555	#6-32 x 5/16 SCREW (2 REQ'D.)
26	0017-00005-0039	COIN SWITCH
27	0010-00557-2500	TRIP WIRE
28	0017-00007-0132	PUSH-ON RING (BLK)
29	0017-00101-0507	#4-36 x 3/4 SCREW (2 REQ'D.)
30	0090-00128-00XF	SWITCH BRKT. - DOOR TILT
	A090-00061-0000	ANTI-STRING DEVICE ASSY. – OPTIONAL (REPLACES ITEM 24)
	A090-00064-0000	ANTI-PENNEY DEVICE ASSY.

NO. 889 -- EXTRA BASES COCKTAIL -- TRANSFORMER BOARD ASSY.



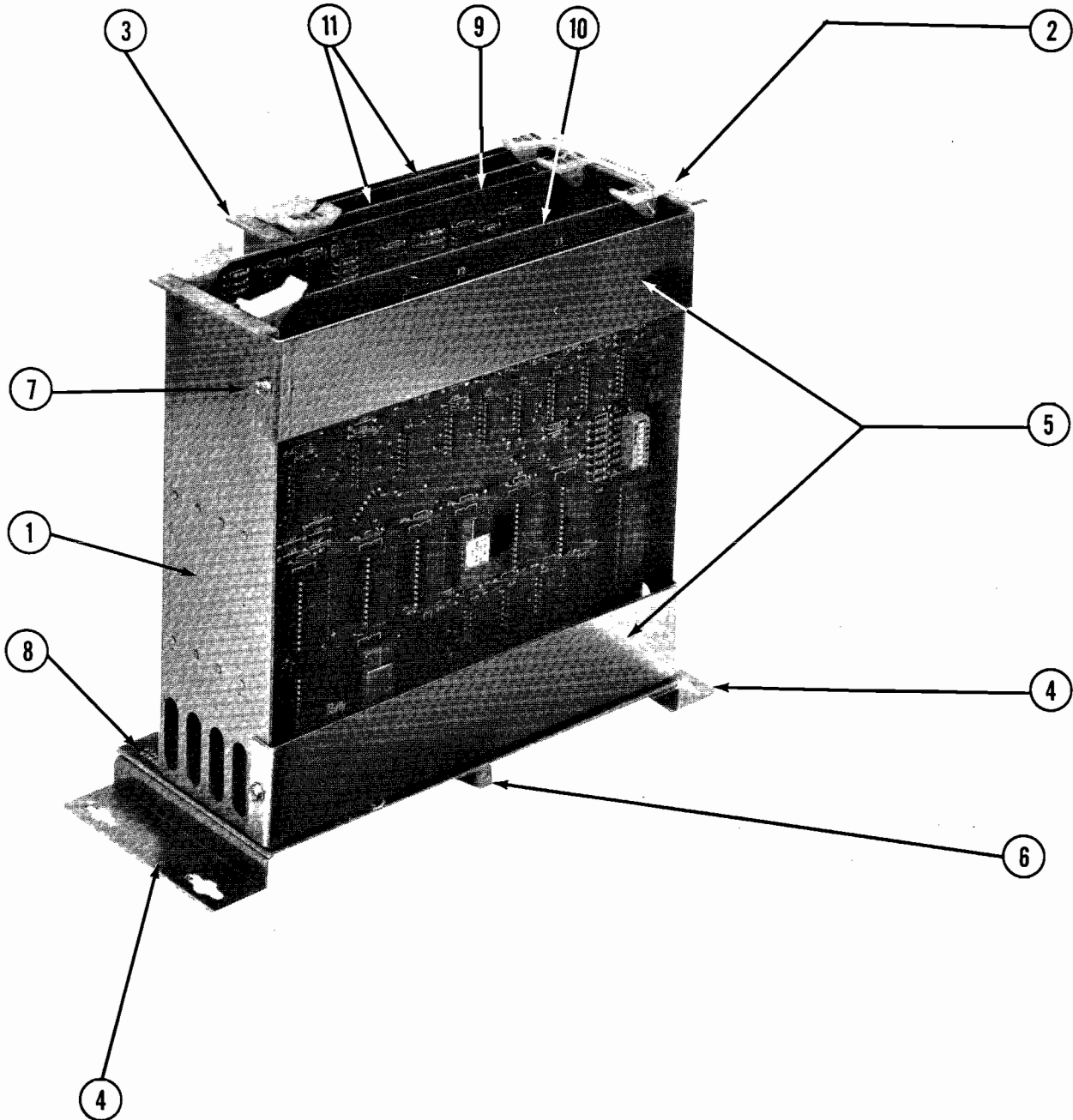
MIDWAY MFG. CO.
A BALLY CO.

NO. 889 – EXTRA BASES COCKTAIL – TRANSFORMER BOARD ASSY.

ORDER BY PART NUMBER ONLY

ITEM	PART N ^o	DESCRIPTION
1	MT00-00065-A000	TRANSFORMER
2	0017-00101-0015	#6 x 1/2 SLT. HEX HD. M.S. (7 REQ'D.)
3	0017-00101-0628	#8-32 x 3/4 CARRIAGE BOLT (2 REQ'D.)
	0017-00103-0008	#8-32 HEX NUT (2 REQ'D.)
4	0720-00001-0200	2 POSITION FUSE CLIP ASSY.
	0017-00003-0076	FUSE 1/2A, 250V.
	0017-00003-0006	FUSE 3A, 250V.
5	0017-00101-0031	#8 x 1" SLT. HEX HD. M.S. (4 REQ'D.)
6	0017-00003-0114	NOISE FILTER
	0017-00003-0064	LINE CORD – 16 FEET (NOT SHOWN)

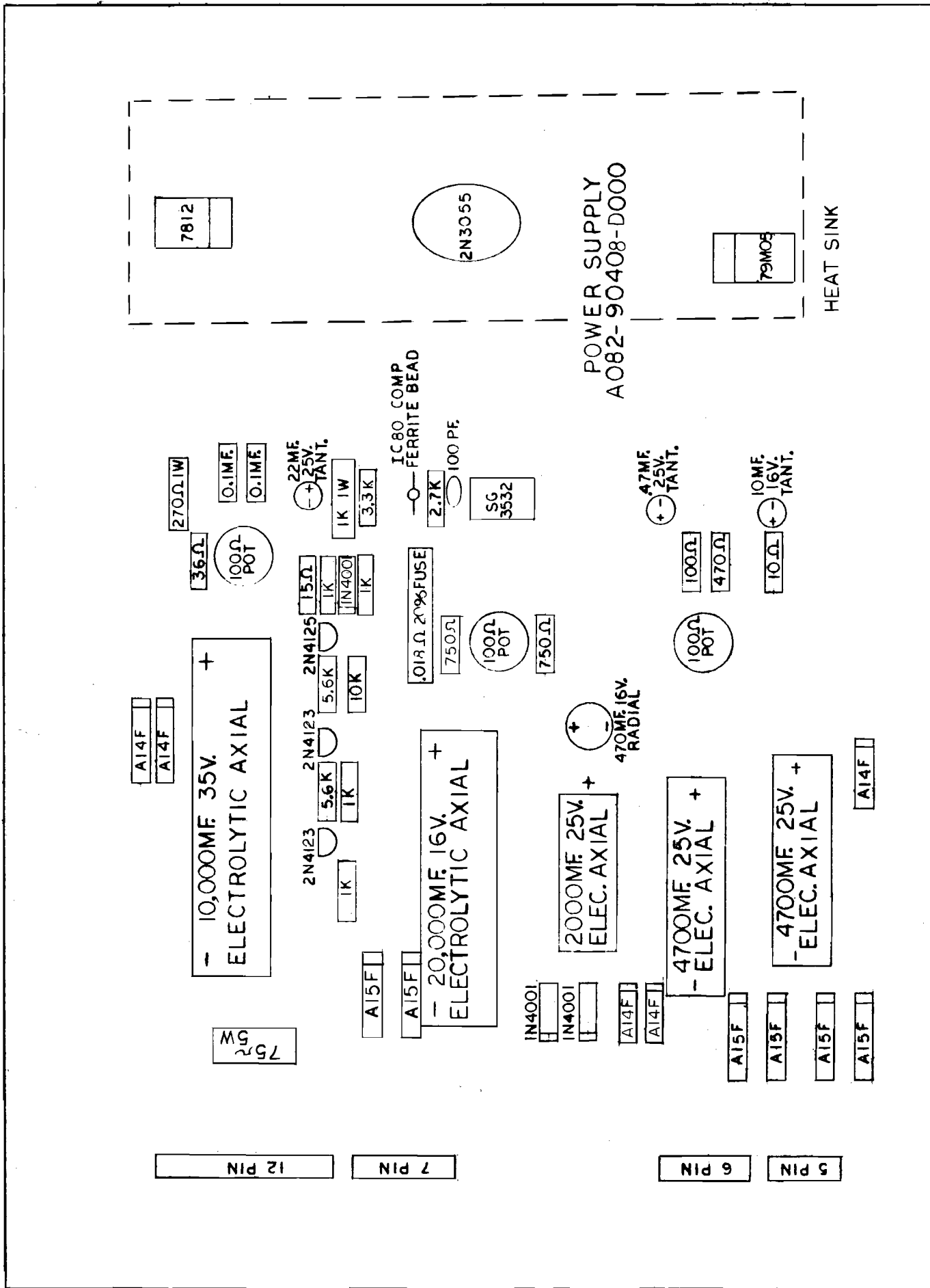
EXTRA BASES UPRIGHT & COCKTAIL – COMMERCIAL CARD RACK ASSY.

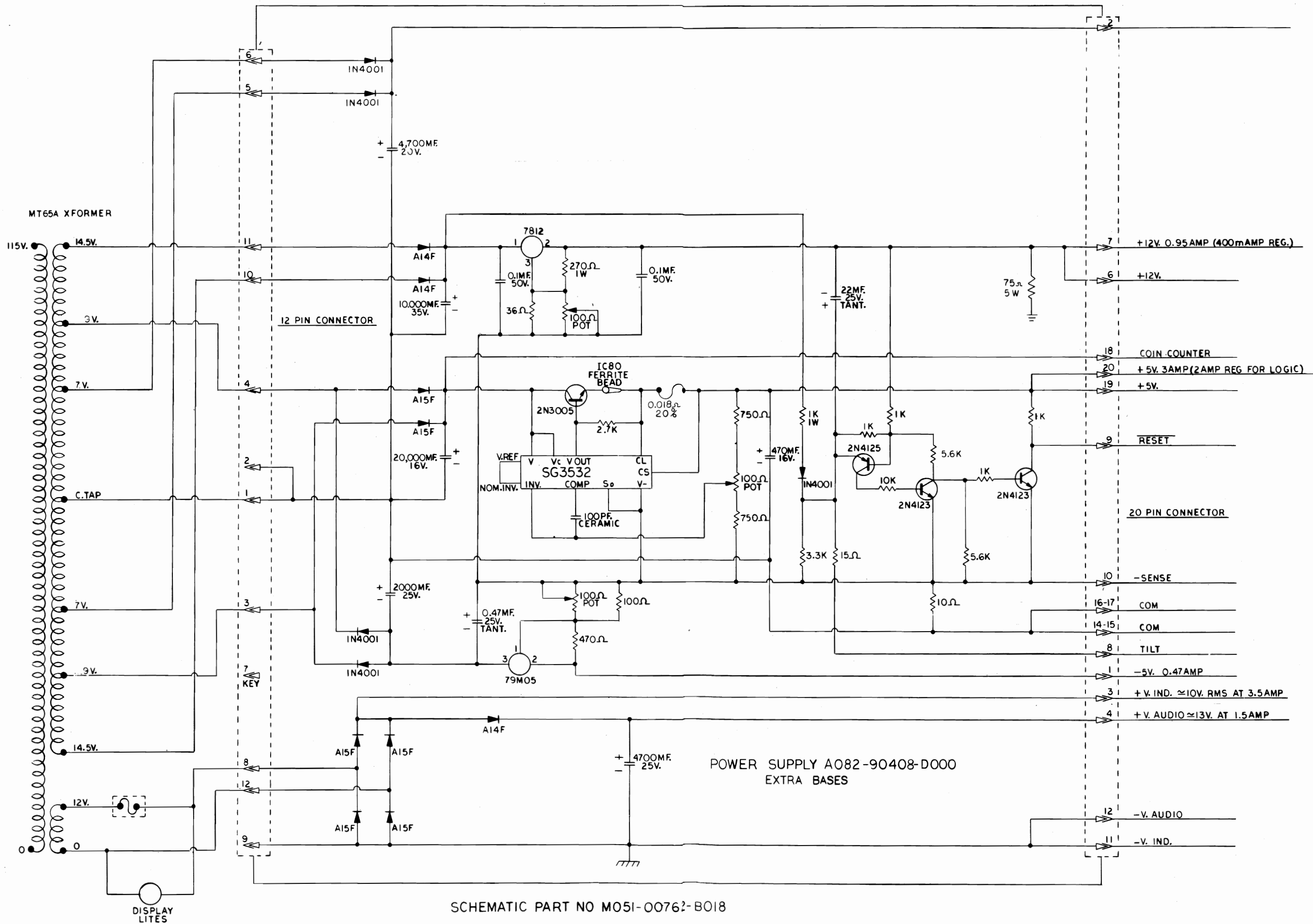


MIDWAY MFG. CO.
A BALLY COMPANY

EXTRA BASES UPRIGHT & COCKTAIL – COMMERCIAL CARD RACK ASSY.***ORDER BY PART NUMBER ONLY***

ITEM	PART N^o	DESCRIPTION
1	A789-00003-0000	P.C. BOARD RACK ASSY. – RIGHT
2	A789-00004-0000	P.C. BOARD RACK ASSY. – LEFT
3	A789-00005-0000	P.C. BOARD RACK ASSY. – BASE
4	0789-00100-0000	MOUNTING BRKT. SUPPORT
5	0789-00106-0000	RACK STRAP
6	0017-00007-0153	P.C. BOARD SUPPORT
	0017-00101-0096	#6 x 3/8 SLT. HEX HD. SCR. (5 REQ'D.)
7	0017-00101-0099	#6 x 1/4 SLT. HEX HD. SCR. (10 REQ'D.)
	0017-00104-0019	#6 FLAT WASHER (3 REQ'D.)
8	A082-90006-B000	BACK PANEL P.C. ASSY. (MOTHER BOARD)
9	A084-90700-D761	GAME LOGIC BOARD ASSY.
10	A082-91354-D000	C.P.U. BRD. ASSY.
11	A082-91356-C000	RAM BOARD ASSY. (2 REQ'D. - COCKTAIL)

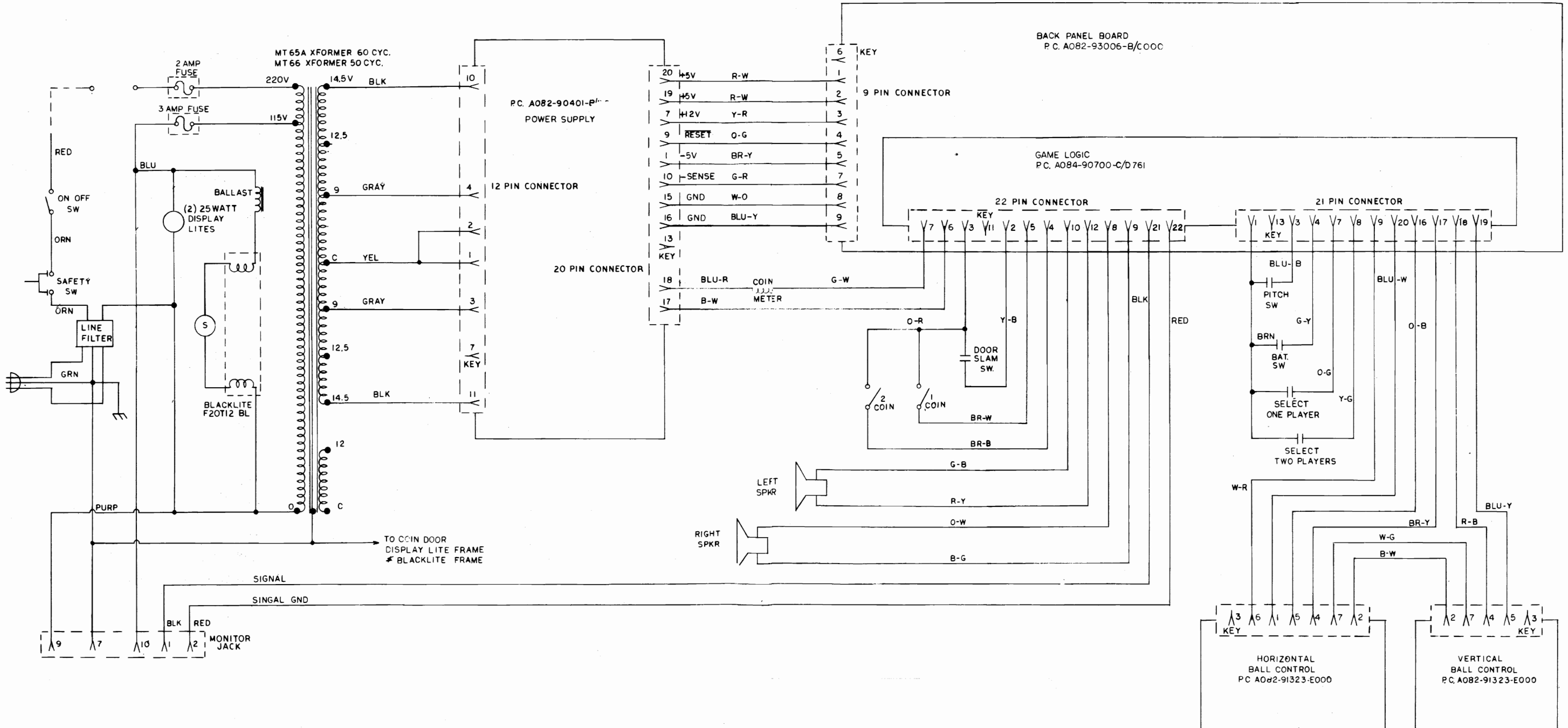




SCHEMATIC PART NO M05I-00762-B018

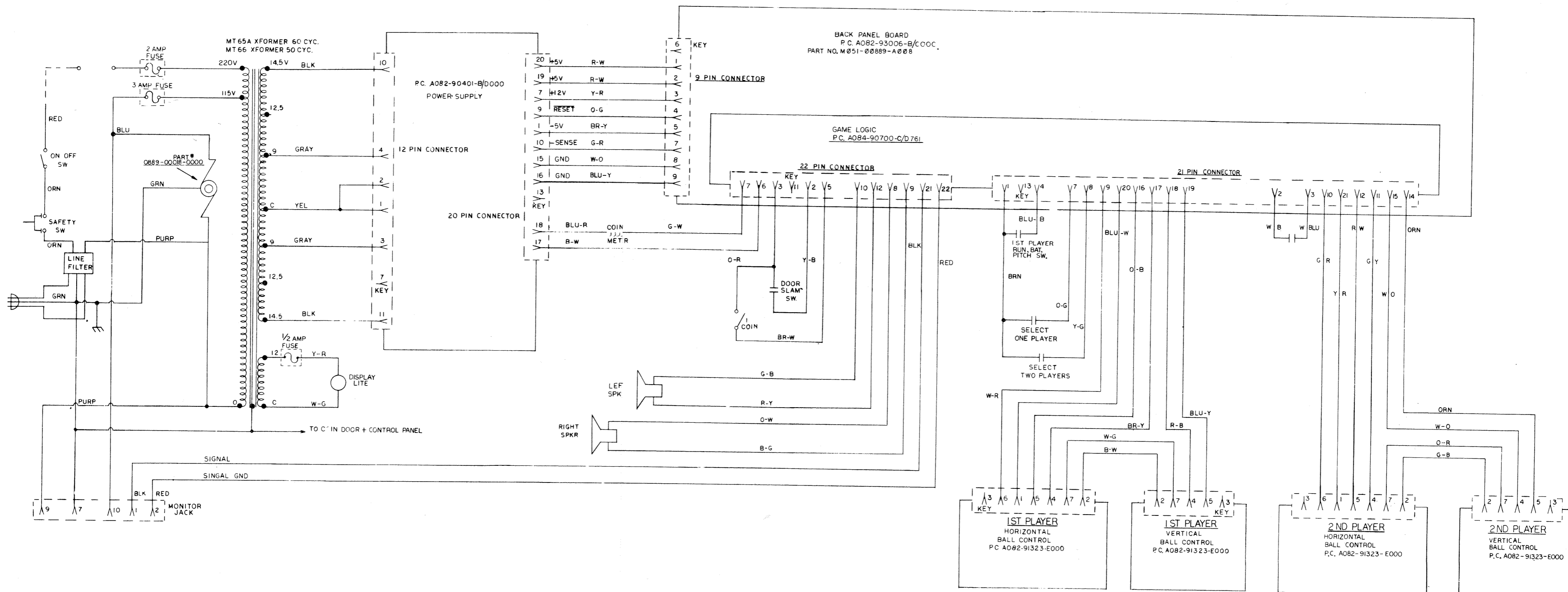
"EXTRA BASES"
 MIDWAY MFG. CO.
 10750 W. GRAND AVE.
 FRANKLIN PARK, IL. 60131

WIRING SCHEMATIC PART NO. M051-00761-A007



"EXTRA BASES C.T."
 MIDWAY MFG. CO.
 10750 W. GRAND AVE.
 FRANKLIN PARK, IL. 60131

WIRING SCHEMATIC PART NO. M051-00761-A007



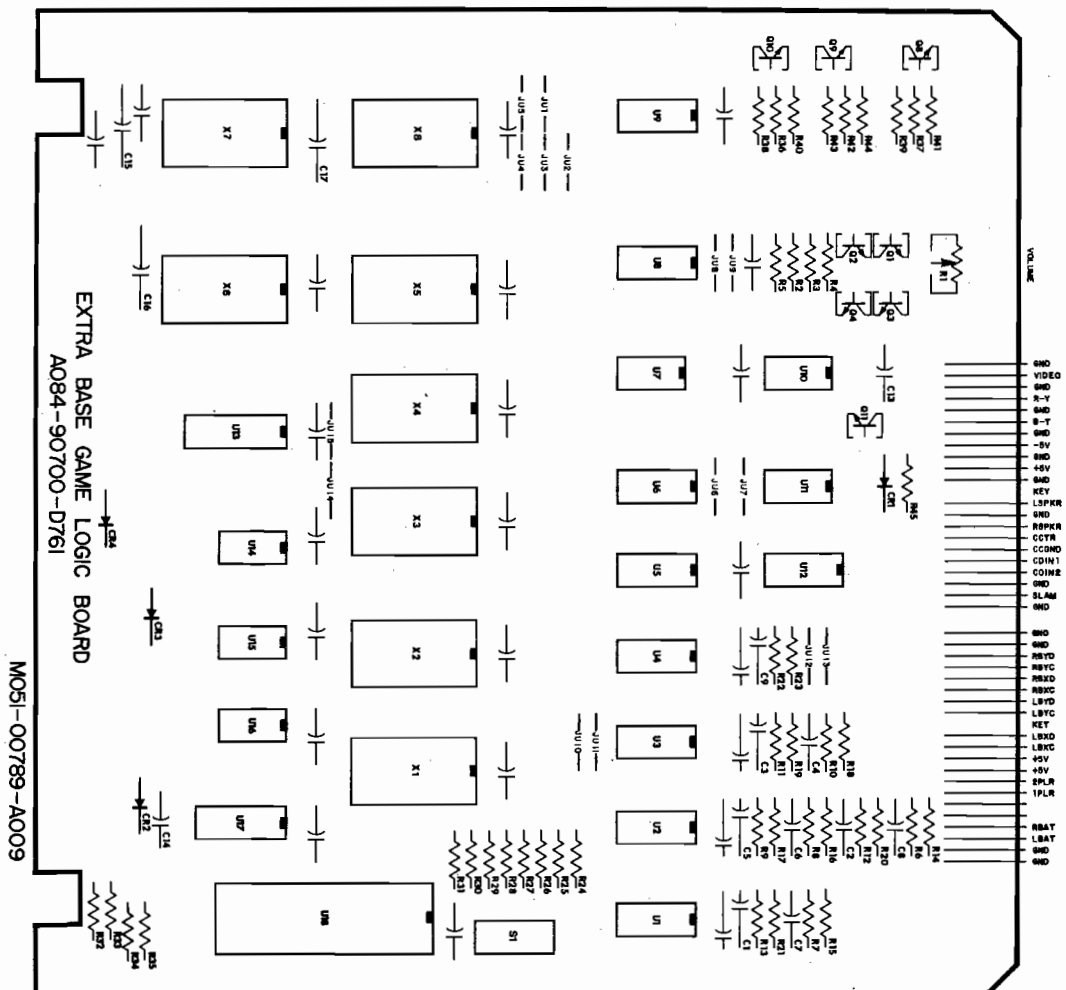
	JU1	JU2	JU3	JU4	JU5	JU6	JU7	JU8	JU9
5V ONLY EPROM	X			X		X		X	
2316		X		X		X		X	
2332		X			X		X		
2364			X		X		X		X

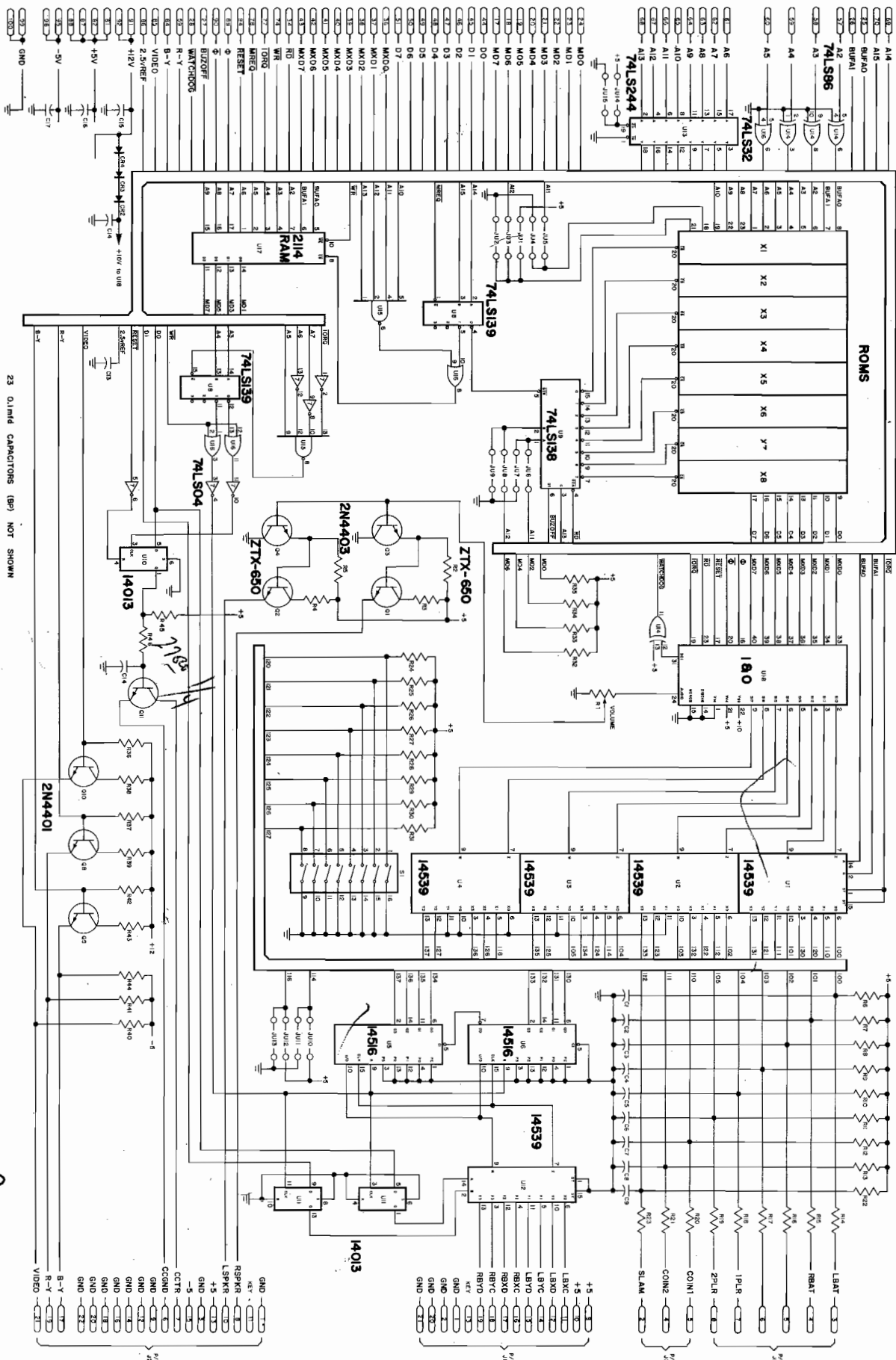
5V ONLY 2716 EPROM	ROM DESIGNATION							
	X1	X2	X3	X4	X5	X6	X7	X8
2316	A	B	C	D	E	F	G	H
2332		A		B				
2364					B			

	JU10	JU11	JU12	JU13
UPRIGHT	X		X	
COCKTAIL		X		X

	IC U13	JU14	JU15
	74LS241	X	
	74LS244		X

EXTRA-BASE GAME BOARD JUMPER SELECTION & ROM LOCATION CHARTS

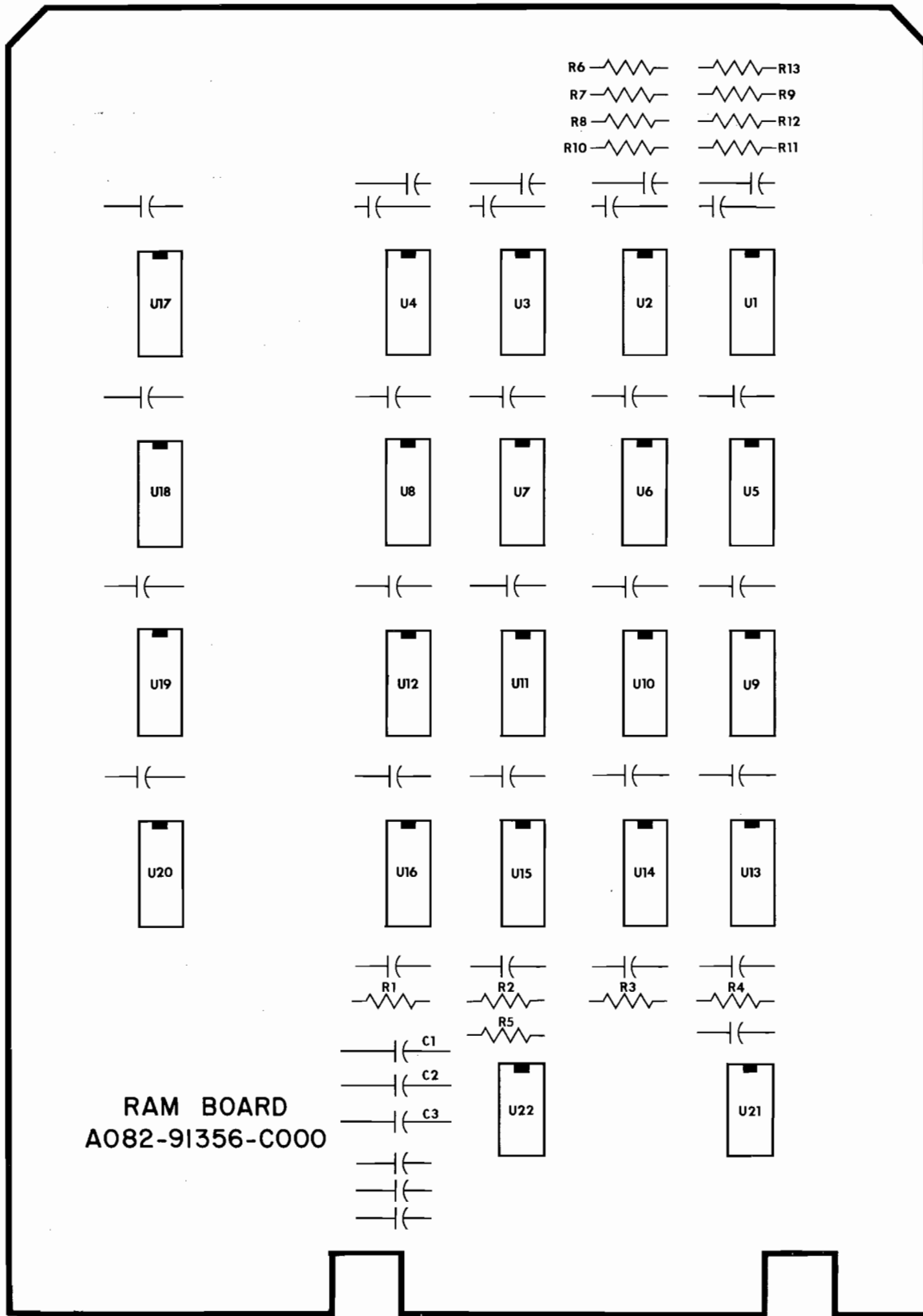




EXTRA-BASE GAME I/O BOARD

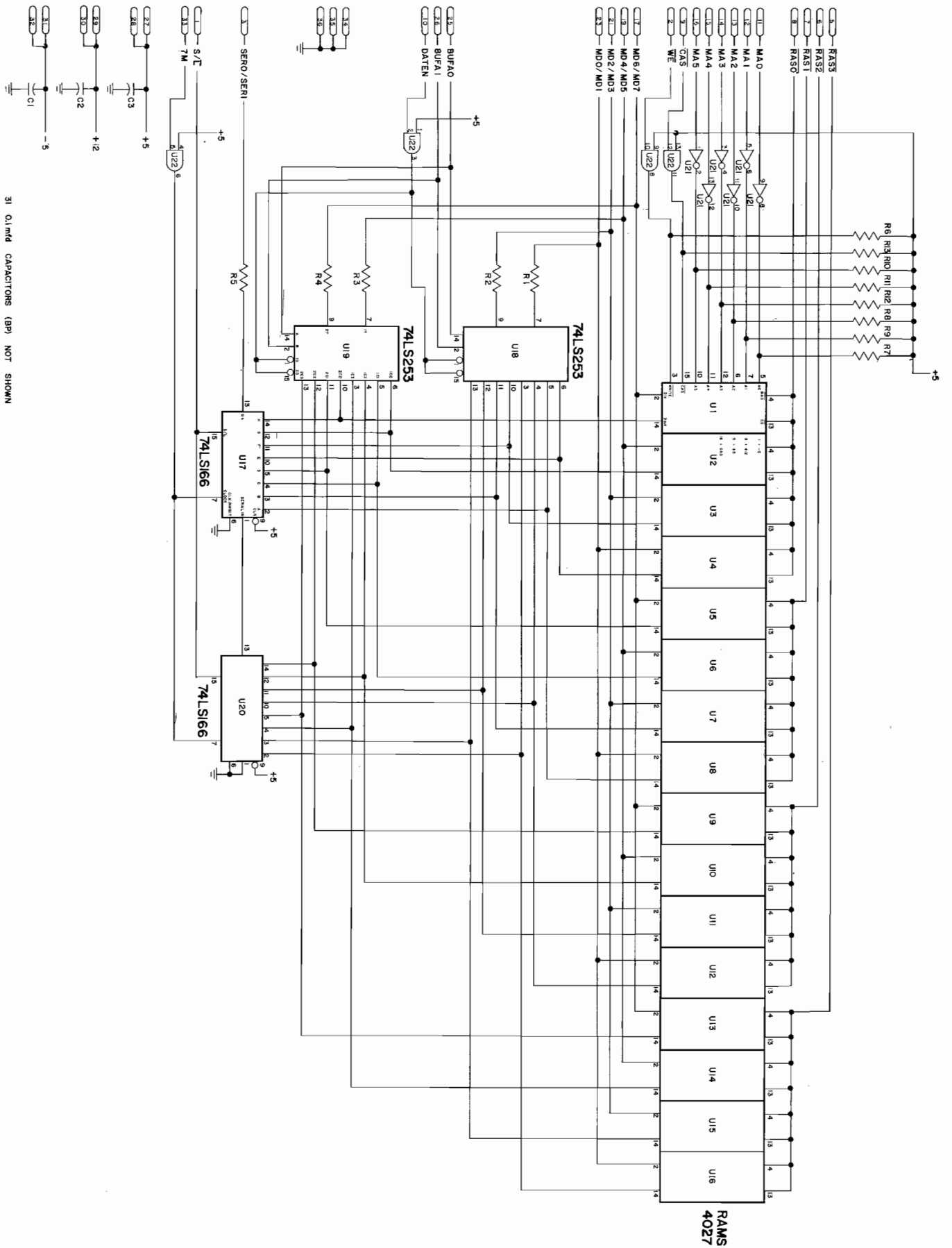
SCHEMATIC PART NO. M051-00789-A008

A084-90700-D761

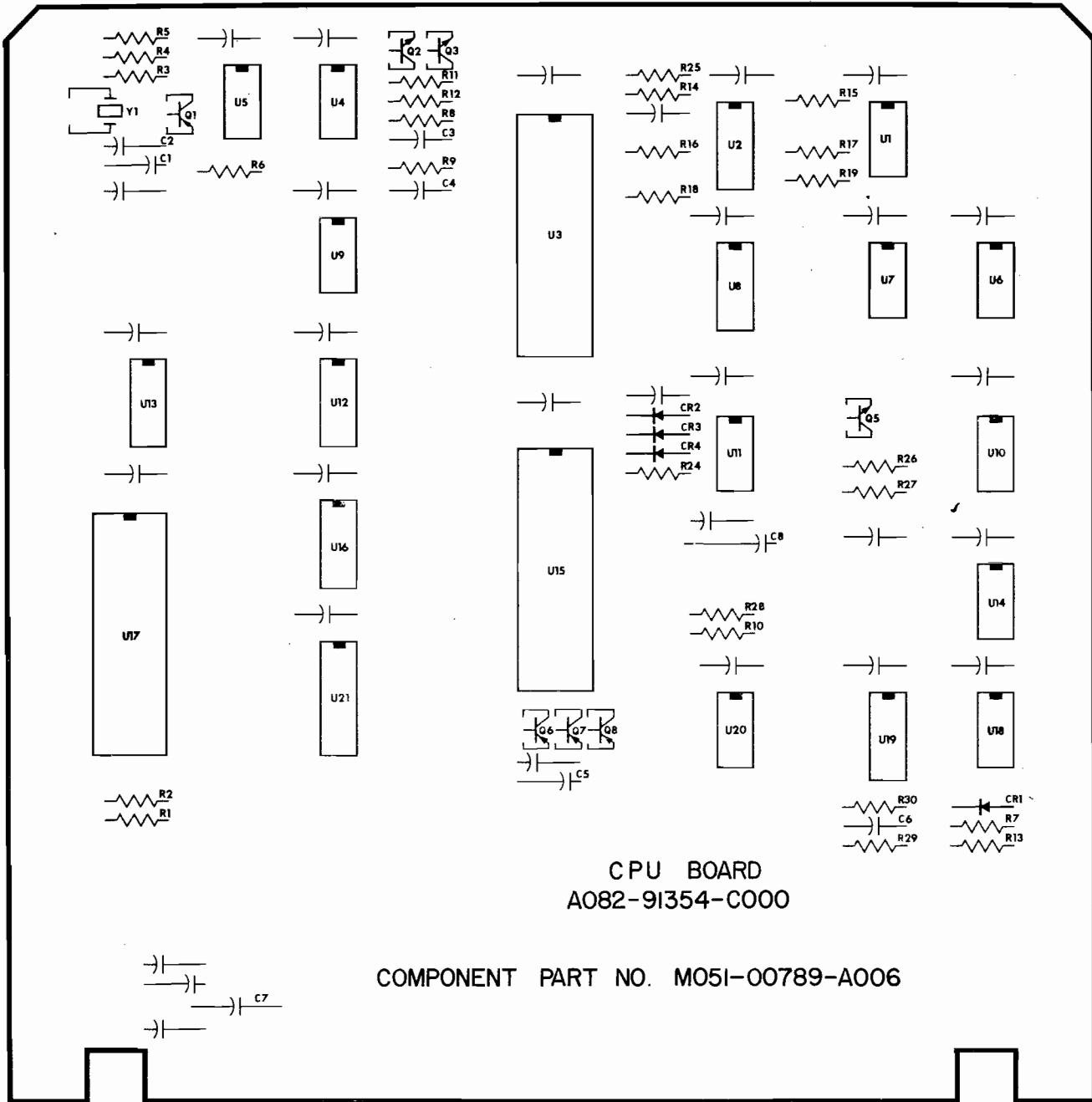


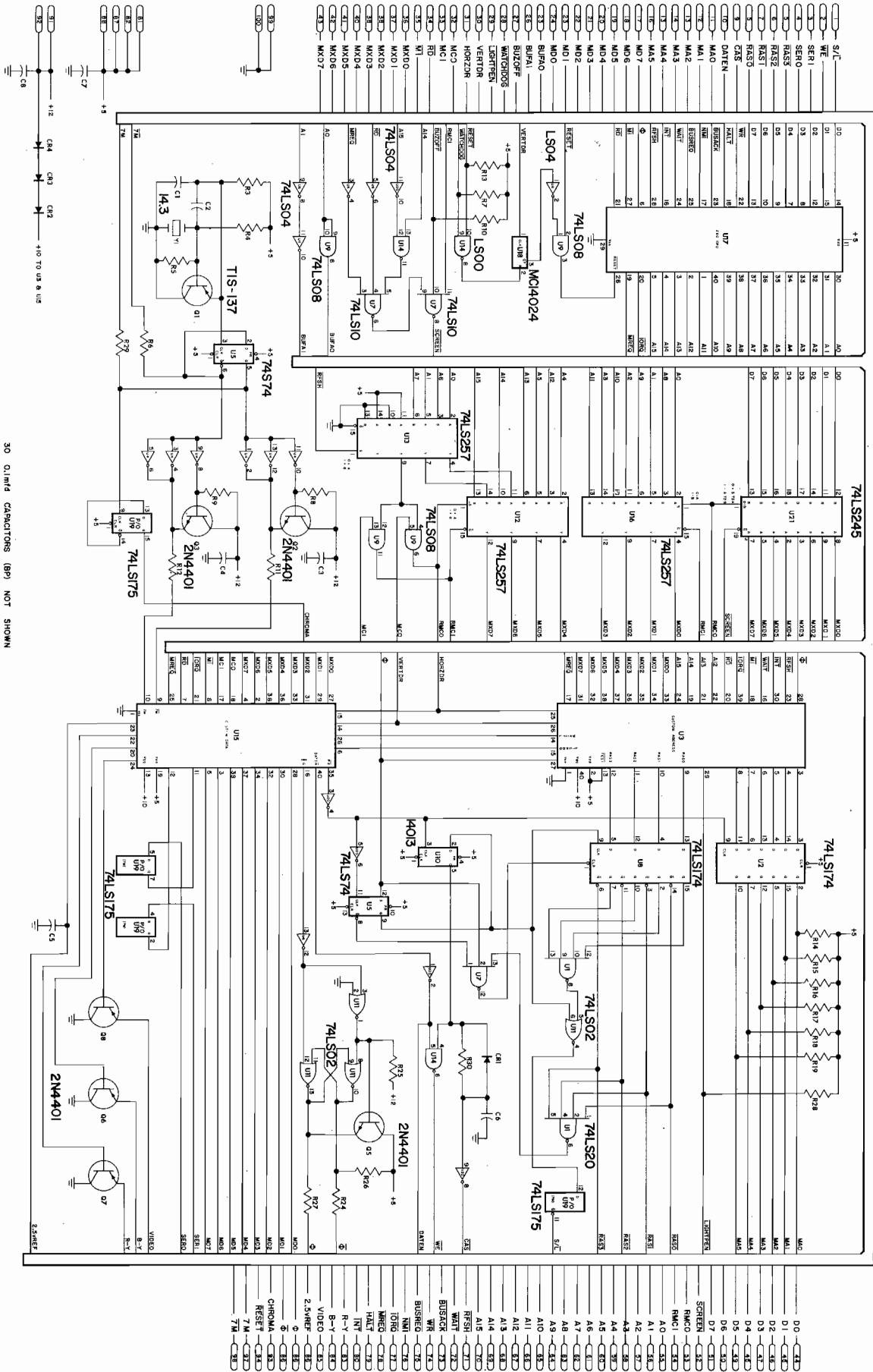
RAM BOARD
A082-91356-C000

COMPONENT PART NO. M051-00789-A003



31 0.1µF CAPACITORS (BP) NOT SHOWN





P.C. BOARDS PARTS LIST

GAME I/O BOARD MIDWAY'S EXTRA-BASE – A084-90700-D761

Part Number	Description	Qty.
0066-117XX-XXXX	Custom I/O LSI Circuit	1
0066-184BX-XXXX	2114 RAM	1
0066-473XX-XXXX	74LS04 Integrated Circuit	1
0066-553XX-XXXX	74LS20 Integrated Circuit	1
0066-611XX-XXXX	74LS32 Integrated Circuit	1
0066-883XX-XXXX	74LS86 Integrated Circuit	1
0066-068AX-XXXX	74LS138 Integrated Circuit	1
0066-069AX-XXXX	74LS139 Integrated Circuit	1
0066-467AX-XXXX	74LS244 Integrated Circuit	1
0066-214XX-XXXX	MC14013BCP Integrated Circuit	2
0066-331XX-XXXX	MC14516BCP Integrated Circuit	2
0066-336XX-XXXX	MC14539BCP Integrated Circuit	5
0064-030XX-XXXX	1N4004 Diode	3
0065-213XX-XXXX	2N4401 Transistor	3
0065-215XX-XXXX	2N4403 Transistor	2
0065-491XX-XXXX	TIP-110 Transistor	1
0065-561XX-XXVX	ZTX-650 Transistor	2
0062-044B3-1XXX	5.1 Ω Resistor	2
0062-110B3-1XXX	100 Ω Resistor	3
0062-133B3-1XXX	220 Ω Resistor	9
0062-144B3-1XXX	330 Ω Resistor	3
0062-156B3-1XXX	470 Ω Resistor	2
0062-195B3-1XXX	2.2K Ω Resistor	3
0062-199B3-1XXX	2.7K Ω Resistor	19
0062-227B3-1XXX	10K Ω Resistor	4
0063-273BX-2F1X	3386W-1-203 Bourns Trimptot	1
0061-132H8-1JXX	0.1 μfd Capacitor	34
0061-163D6-4ERX	1 μfd Capacitor	1
0061-207D6-4ERX	15 μfd Capacitor	3
0069-047XX-XXJX	8-position Dipswitch	1
0069-117XX-XXWX	218-AG39D IC Socket	1
0069-132XX-XXWX	220-AG39D IC Socket	1
0069-108XX-XXWX	224-AG39D IC Socket	8
0069-109XX-XXWX	240-AG39D IC Socket	1
3000-16366-0800	Connector 8 pos	1
3000-16366-1000	Connector 10 pos	1
3000-16366-1100	Connector 11 pos	1
3000-16366-1200	Connector 12 pos	1
0017-00009-0480	80-2 Birtcher Card Ejector/Dowel	2
A080-90700-D761	PC Board Midway	1

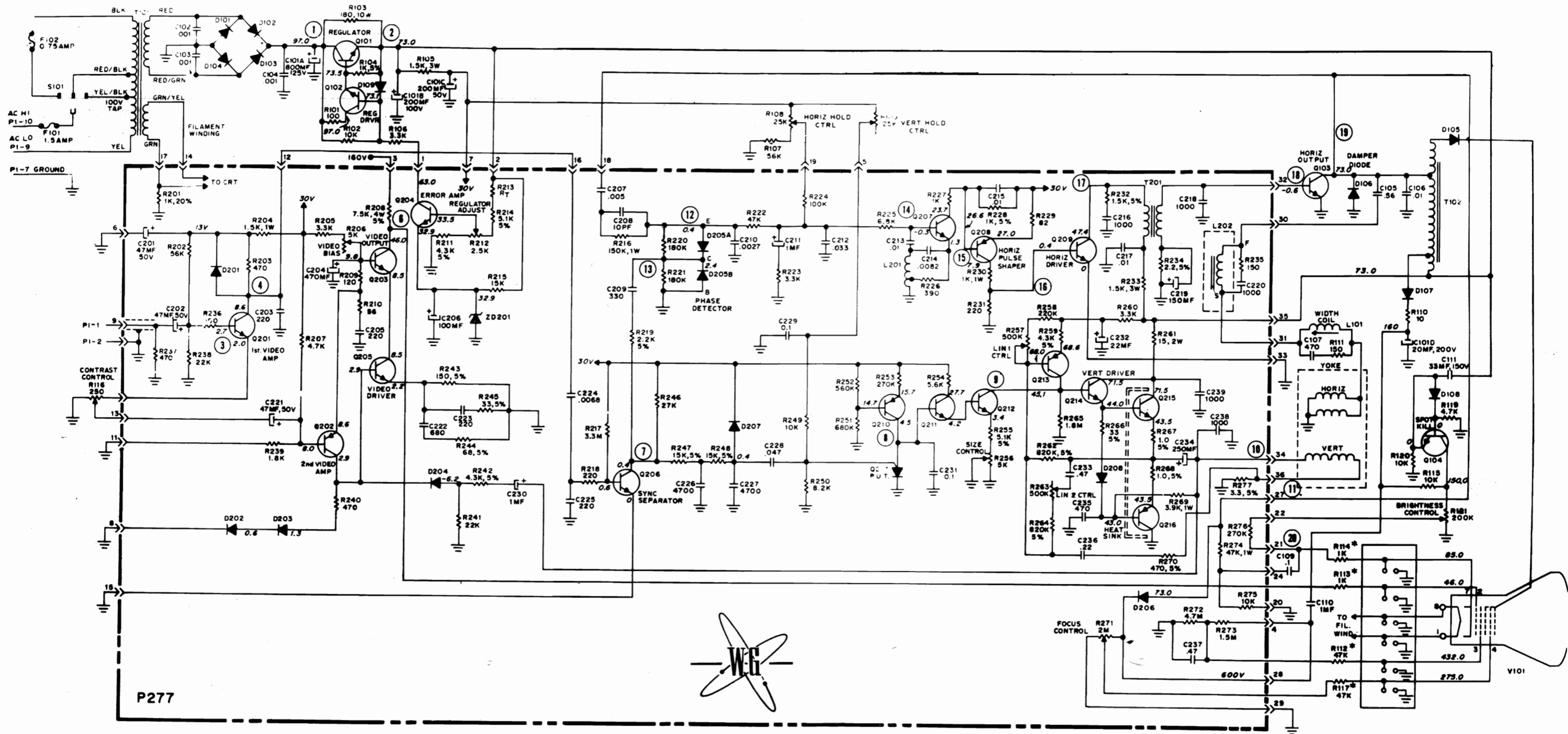
RAM CARD ASSEMBLY – A082-91356-C000

Part Number	Description	Qty.
0066-228XX-XXXX	MK4027-4 RAM	16
0066-493XX-XXXX	74LS08 Integrated Circuit	1
0066-521XX-XXXX	74LS14 Integrated Circuit	1
0066-206AX-XXXX	74LS166 Integrated Circuit	2
0066-583AX-XXXX	74LS253 Integrated Circuit	2
0062-113B3-1XXX	110 Ω Resistor	4

0062-133B3-1XXX	220 Ω Resistor	1
0062-179B3-1XXX	1K Ω Resistor	8
0061-132H8-1JXX	0.1 μfd Capacitor	31
0061-207D6-4ERX	15 μfd Capacitor	3
0017-00009-0480	80-2 Birtcher Card Ejectors/Dowels	2
A080-91356-C000	PC Board	1

CPU BOARD ASSEMBLY – A082-91354-D000

Part Number	Description	Qty.
0066-124BX-XXXX	MK-3880 CPU	1
0066-115XX-XXXX	Custom Address LSI Circuit	1
0066-116XX-XXXX	Custom Data LSI Circuit	1
0066-453XX-XXXX	74LS00 Integrated Circuit	1
0066-463XX-XXXX	74LS02 Integrated Circuit	1
0066-473XX-XXXX	74LS04 Integrated Circuit	1
0066-493XX-XXXX	74LS08 Integrated Circuit	1
0066-502XX-XXXX	74LS10 Integrated Circuit	1
0066-553XX-XXXX	74LS20 Integrated Circuit	1
0066-823XX-XXXX	74LS74 Integrated Circuit	1
0066-161AX-XXXX	74LS157 Integrated Circuit	1
0066-243AX-XXXX	74LS174 Integrated Circuit	1
0066-248AX-XXXX	74LS175 Integrated Circuit	2
0066-468AX-XXXX	74LS245 Integrated Circuit	1
0066-643AX-XXXX	74LS257 Integrated Circuit	2
0066-821XX-XXXX	74S74 Integrated Circuit	1
0066-530XX-XXXX	7416 Integrated Circuit	1
0066-100BX-XXXX	MC14024BCP Integrated Circuit	1
0065-213XX-XXXX	2N4401 Transistor	3
0065-500XX-XXCX	TIS-137 Transistor	4
0064-030XX-XXXX	1N4004 Diode	3
0064-048XX-XXXX	1N4148 Diode	1
0099-003XX-XX2X	14.31818 Mhz Crystal	1
0062-086B3-1XXX	47 Ω Resistor	4
0062-104B3-1XXX	82 Ω Resistor	2
0062-133B3-1XXX	220 Ω Resistor	1
0062-159B3-1XXX	510 Ω Resistor	1
0062-168B3-1XXX	680 Ω Resistor	2
0062-179B3-1XXX	1K Ω Resistor	6
0062-195B3-1XXX	2.2K Ω Resistor	7
0062-227B3-1XXX	10K Ω Resistor	1
0062-229B3-1XXX	11K Ω Resistor	1
0062-243B3-1XXX	22K Ω Resistor	1
0061-028H2-1J5X	27 pfd Capacitor	1
0061-043H2-1J5X	100 pfd Capacitor	1
0061-054H2-1JXX	270 pfd Capacitor	1
0061-132H8-1JXX	0.1 μfd Capacitor	33
0061-207D6-4ERX	15 μfd Capacitor	2
0017-00009-0480	80-2 Birtcher Card Ejectors/Dowels	2
0069-132XX-XXWX	220-AG39D IC Socket	1
0069-109XX-XXWX	240-AG39D IC Socket	3
0068-056XX-ABAX	THM-6032B Thermalloy Heatsink	1
	PC Board	1



P277



WELLS - GARDNER ELECTRONICS

CORPORATION

2701 N. KILDARE AVE. • CHICAGO, ILL. 60639 • ALBANY 2-8220

TELEX 25-3286

NOTES:

1. VOLTAGE MAY VARY WITH CONTROL SETTING.
2. LINE VOLTAGE MAINTAINED AT 120VAC, 50/60 Hz.
3. ALL D.C. VOLTAGES ±10% MEASURED FROM POINT INDICATED TO CHASSIS USING HIGH IMPEDANCE METER WITH NO SIGNAL INPUT. CONTRAST AND BRIGHTNESS CONTROLS AT MAXIMUM; ALL OTHER CONTROLS IN NORMAL OPERATING POSITION.
4. ○ WITH INTERNAL NUMBER INDICATES LOCATION OF WAVE FORM READING.

NOTES:

- * INDICATES RESISTORS LOCATED IN PICTURE TUBE LEAD ASSEMBLY.
- RESISTANCE VALUES IN OHMS, 1/2 WATT, 10% UNLESS OTHERWISE NOTED. K=1,000 M=1,000,000
- CAPACITANCE VALUES OF 1 OR LESS ARE IN MICROFARADS. ABOVE 1 IN PICOFARADS UNLESS OTHERWISE NOTED.

MODEL No.
V1001-5734

REPLACEMENT PARTS LIST

CHASSIS PARTS

CAPACITORS

C101A, B, C, D	45X0558-001	800 μ F/125V, 200 μ F/100V 200 μ F/50V, 20 μ F/200V Electrolytic
C102, 103 104	80X0001-000	.001 μ F, GMV Z5U Cer. Disc.
★C105	342X5642-049	.56 μ F, 400V, 10% Polypropylene
★C106	46X0536-001	.01 μ F, 1200V, 5% Polypropylene
C107	80X0099-006	470 pF, Z5F, 10%
C109	342X1044-040	0.1 μ F, 400V, 20% Mylar
★C110	46X0540-002	1.0 μ F, 630V, 10% Polyester Film
C111	45X0515-032	33 μ F, 150V, Electrolytic

CONTROLS

R108, 109	40X0585-091	25k Ohm, Horiz. & Vert. Hold
R116	40X0585-090	250 Ohm, Contrast
R121	40X0585-092	200k Ohm, Brightness

COILS & TRANSFORMERS

★L101	9A2787-001	Coil, Width
★T101	53X0475-001	Transformer, Power
★T102	53X0474-001	Transformer, Flyback

RESISTORS

R101	340X3101-941	100 Ohm, 10%, 1/2W
R102, 115, 120	340X3103-941	10k Ohm, 10%, 1/2W
★R103	340X0181-341	180 Ohm, 10%, 10W, WW
R104	340X3102-931	1k Ohm, 5%, 1/2W
★R105	340X6152-341	1.5k Ohm, 10%, 3W, WW
R106	340X3332-941	3.3k Ohm, 10%, 1/2W
R107	340X3563-941	56k Ohm, 10%, 1/2W
R110	340X3100-941	10 Ohm, 10%, 1/2W
R111	340X3151-941	150 Ohm, 10%, 1/2W
R119	340X3472-941	4.7k Ohm, 10%, 1/2W

SEMICONDUCTORS

D101, 102 103, 104	66X0023-009	Rectifier, Silicon 500V 1N444B
★D105	66X0067-001	Rectifier Varo H1802
★D106	66X0068-001	Diode, Damper MR1-1600
D107	66X0053-001	Diode, 350V Amperex BA148
D108, 109	66X0046-001	Diode, Silicon FDH444
★Q101	86X0117-001	Transistor (NPN) 2N5632 Regulator
Q102	86X0071-001	Transistor (NPN) Reg. Driver MPSA06
★Q103	86X0118-001	Transistor (NPN) BU207 Hor. Output
Q104	86X0065-001	Transistor (NPN) D40N5 Spot Kill

MISCELLANEOUS

★F101	16X0171-001	Fuse Holder
★F102	16X0176-001	Fuse, 1.5 Amp, Slo-Blo 3AG
★	16X0175-001	Fuse, 0.75 Amp, Slo-Blo 3AG
★	13X1201-001	HV Lead & Recept. Assy.
★	28X0789-001	Spring, Dag, Grounding
★	9A2786-001	Deflection Yoke & Clamp CRT (19V1001)
★V101 or ★V101	19VARP4 or 22VATP4	CRT (22V1001)
	38A5473-000	2 PDT Small Relay (W/Wires)
	38A5474-000	6 PDT Large Relay (W/Wires)

★ Product Safety Device

REPLACEMENT PARTS LIST P277 CIRCUIT BOARD ASSY.

CAPACITORS

C201, 202, 221	45X0524-027	47 μ F, 50V, Electrolytic
C203, 205, 223, 225	80X0099-057	220 pF, 10%, Z5F, Cer. Disc.
C204	45X0524-053	470 μ F, 16V, Electrolytic
C206	45X0524-051	100 μ F, 50V, Electrolytic
C207	80X0099-192	.005 μ F, 20%, 1KV, Cer. Disc.
C208	80X0099-036	10 pF, 10%, 500V, Cer. Disc.
C209	80X0099-013	330 pF, 10%, 500V, Cer. Disc.
C210	349X4722-109	.0027 μ F, 10%, Mylar
C211	45X0524-023	1.0 μ F, 15V, Electrolytic
C212	349X3332-109	.033 μ F, Mylar
C213	46X0537-002	.01 μ F, Poly
C214	46X0537-003	.0082 μ F, Poly
C215	349X1032-109	.01 μ F, 10%, 100V Mylar
C216, 218, 220, 238, 239	80X0099-076	1000 pF, 10%, 500V, Cer. Disc.
C217	349X1032-209	.01 μ F, 10%, 200V, Mylar
C219	45X0524-052	150 μ F, 10V, Electrolytic
C222	80X0099-137	680 pF, 10%, 500V, Cer. Disc.
C224	349X6822-109	.0068 μ F, 10%, 100V, Mylar
C226, 227	80X0099-056	4700 μ F, 10%, 500V, Cer. Disc.
C228	349X4732-109	.047 μ F, 10%, 100V, Mylar
C229	349X1044-109	0.1 μ F, 20%, 100V, Mylar
C230	45X0515-014	1.0 μ F, 50V, Electrolytic
C231	349X1042-109	0.1 μ F, 10%, 100V, Mylar
C232	45X0524-026	22 μ F, 100V, Electrolytic
C233	349X4742-109	.47 μ F, 10%, 100V, Mylar
C234	45X0524-025	250 μ F, 100V, Electrolytic
C235	80X0099-006	470 pF, 10%, Z5F, Cer. Disc.
C236	349X2242-109	.22 μ F, 10%, 100V, Mylar
C237	46X0540-001	.47 μ F, 10%, 630V, Polyester Film

CONTROLS

R206, 256	40X0592-008	5k Ohm, Video Output, Size
R212	40X0585-093	2.5k Ohm, Reg. Adj.
R257, 263	40X0592-004	500k Ohm, Lin 1 & 2
R271	40X0585-094	2M Ohm, Focus

COILS & TRANSFORMERS

★L201	9A2788-001	Horiz. Osc.
★L202	9A2789-001	Horiz. Lin.
★T201	52X0126-001	Horiz. Driver

RESISTORS

R201	340X3102-954	1k Ohm, 20%, 1/2W
R202	340X3563-944	56k Ohm, 10%, 1/2W
R203, 237, 240	340X3471-944	470 Ohm, 10%, 1/2W
★R204	340X4152-843	1.5k Ohm, 10%, 1.0W
R205, 223, 260	340X3332-944	3.3k Ohm, 10%, 1/2W
R207	340X3472-944	4.7k Ohm, 10%, 1/2W
★R208	340X7752-733	7.5k Ohm, 5%, 4.0W
R209	340X3121-944	120 Ohm, 10%, 1/2W
R210	340X3560-944	56 Ohm, 10%, 1/2W
R211, 242, 259	340X3432-934	4300 Ohm, 5%, 1/2W
R213	43X0467-001	Thermistor
R214, 255	340X3512-934	5.1k Ohm, 5%, 1/2W
R215	340X3153-944	15k Ohm, 10%, 1/2W
★R216	340X4154-843	150k Ohm, 10%, 1.0W
R217	340X3335-944	3.3M Ohm, 10%, 1/2W
R218, 231	340X3221-944	220 Ohm, 10%, 1/2W
R219	340X3222-934	2.2k Ohm, 5%, 1/2W

★ Product Safety Device

RESISTORS (Cont'd.)

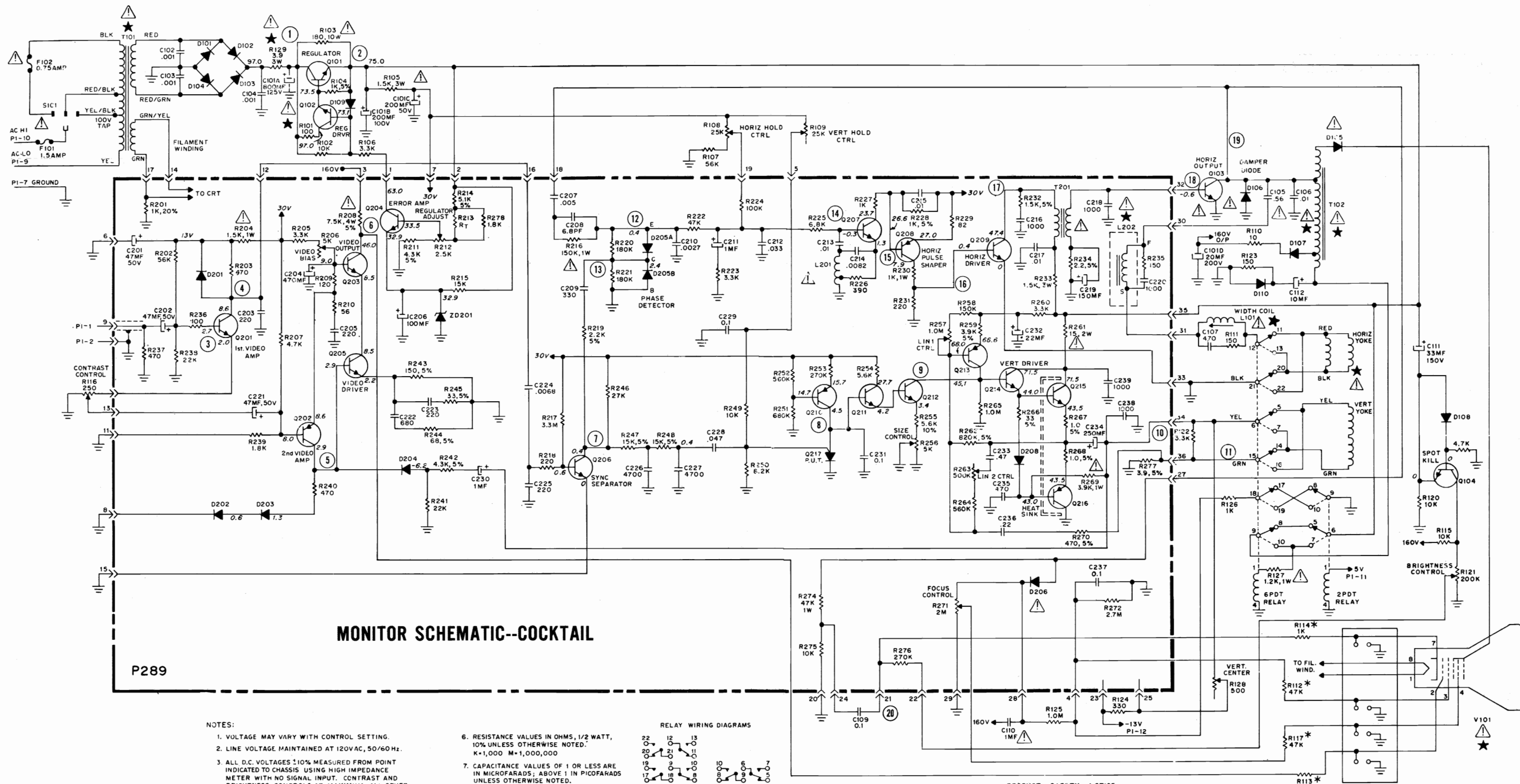
R220, 221	340X3184-944	180k Ohm, 10%, 1/2W
R222	340X3473-944	47k Ohm, 10%, 1/2W
R224	340X3104-944	100k Ohm, 10%, 1/2W
R225	340X3682-944	6.8k Ohm, 10%, 1/2W
R226	340X3391-944	390 Ohm, 10%, 1/2W
R227	340X3102-944	1k Ohm, 10%, 1/2W
R228	340X3102-934	1k Ohm, 5%, 1/2W
R229	340X3820-944	82 Ohm, 10%, 1/2W
★R230	340X4102-843	1k Ohm, 10%, 1.0W
R232	340X3152-934	1.5k Ohm, 5%, 1/2W
★R233	340X6152-743	1.5k Ohm, 10%, 3.0W
R234	340X5022-333	2.2 Ohm, 5%, 2.0W
R235	340X3151-944	150 Ohm, 10%, 1/2W
R236	340X3101-944	100 Ohm, 10%, 1/2W
R238, 241	340X3223-944	22k Ohm, 10%, 1/2W
R239	340X3182-944	1.8k Ohm, 10%, 1/2W
R243	340X3151-934	150 Ohm, 5%, 1/2W
R244	340X3680-934	68 Ohm, 5%, 1/2W
R245, 266	340X3330-934	33 Ohm, 5%, 1/2W
R246	340X3273-944	27k Ohm, 10%, 1/2W
R247, 248	340X3153-934	15k Ohm, 5%, 1/2W
R249, 275	340X3103-944	10k Ohm, 10%, 1/2W
R250	340X3822-944	8.2k Ohm, 10%, 1/2W
R251	340X3684-944	680k Ohm, 10%, 1/2W
R252	340X3564-944	560k Ohm, 10%, 1/2W
R253, 276	340X3274-944	270k Ohm, 10%, 1/2W
R254	340X3562-944	5.6k Ohm, 10%, 1/2W
R258	340X3224-944	220k Ohm, 10%, 1/2W
★R261	340X5150-843	15 Ohm, 10%, 2.0W
R262, 264	340X3824-934	820k Ohm, 5%, 1/2W
R265	340X3185-944	1.8M Ohm, 10%, 1/2W
R267, 268	340X3010-934	1 Ohm, 5%, 1/2W
R269	340X4392-843	3.9k Ohm, 10%, 1/2W
R270	340X3471-934	470 Ohm, 5%, 1/2W
R272	340X3475-944	4.7M Ohm, 10%, 1/2W
R273	340X3155-944	1.5M Ohm, 10%, 1/2W
★R274	340X4473-843	47k Ohm, 10%, 1.0W
R277	340X3033-934	3.3 Ohm, 5%, 1/2W

SEMICONDUCTORS

D201, 202, 203, 204, 207, 208	66X0046-001	Diode, Silicon FDH444
D205A, 205B	66X0066-001	Diode, Dual, MSD6102
D206	66X0054-002	Diode, RCA D2102SF
Q201, 205, 206	86X0113-001	Transistor (NPN) 2N3904
Q202, 208	86X0114-001	Transistor (PNP) 2N3906
Q203	86X0071-001	Transistor (NPN)
Q204, 212	86X0071-001	Transistor (NPN) MPSA06
Q207, 211	86X0058-002	Transistor (NPN) MPSA20
Q209	86X0116-001	Transistor Horiz, Driver (NPN) 2N6557
Q210	86X0066-001	Transistor (PNP) MPSA70
Q213	86X0072-001	Transistor (PNP) MPSA56
Q214	86X0073-001	Transistor (NPN) MPSU07
Q215	86X0074-001	Transistor (NPN) 2N5192
Q216	86X0075-001	Transistor (PNP) 2N5195
Q217	86X0070-001	Transistor (P.U.T.) MPU131
ZD201	66X0040-004	Diode, Zener 31V

MISCELLANEOUS

38A5395-000	Pix Socket & Connector Assy.
-------------	------------------------------



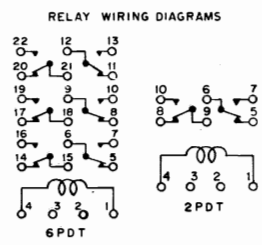
MONITOR SCHEMATIC--COCKTAIL

P289

NOTES:

1. VOLTAGE MAY VARY WITH CONTROL SETTING.
2. LINE VOLTAGE MAINTAINED AT 120VAC, 50/60HZ.
3. ALL D.C. VOLTAGES ±10% MEASURED FROM POINT INDICATED TO CHASSIS USING HIGH IMPEDANCE METER WITH NO SIGNAL INPUT. CONTRAST AND BRIGHTNESS CONTROLS AT MAXIMUM; ALL OTHER CONTROLS IN NORMAL OPERATING POSITION.
4. ○ WITH INTERNAL NUMBER INDICATES LOCATION OF WAVE FORM READING.
5. * -INDICATES RESISTORS LOCATED IN PICTURE TUBE LEAD ASSEMBLY.

6. RESISTANCE VALUES IN OHMS, 1/2 WATT, 10% UNLESS OTHERWISE NOTED. K=1,000 M=1,000,000
7. CAPACITANCE VALUES OF 1 OR LESS ARE IN MICROFARADS; ABOVE 1 IN PICOFARADS UNLESS OTHERWISE NOTED.
8. PRODUCT SAFETY NOTICE: PARTS IDENTIFIED BY SHADING ARE SAFETY CRITICAL COMPONENTS. REPLACE ONLY WITH SAME TYPE PARTS SHOWN IN PARTS LIST.



PRODUCT SAFETY NOTICE:

PARTS IDENTIFIED BY SHADING AND BY ⚠ ARE SAFETY CRITICAL COMPONENTS. REPLACE ONLY WITH SAME TYPE PARTS SHOWN IN PARTS LISTS.

★ X-RAY RADIATION RELATED PARTS FOR REPLACEMENT PURPOSES, USE ONLY TYPE PARTS SHOWN IN PARTS LIST.

V1002-5770

WELLS - GARDNER ELECTRONICS CORPORATION

2701 N. KILDARE AVE. • CHICAGO, ILL. 60639 • ALBANY 2-8220

NOTES

This space is provided for personal notes