

## GENERAL INSTRUCTIONS FOR "GUN FIGHT"

### INSTALLATION:

- A. The power is controlled by a switch located on top of the cabinet. Plug into A.C. only, 115 volts, 60 cycles. In low line areas, (100 volts or less) a boost in the output voltage of the transformer may be achieved, by removing the wire from the 115 volt tap of the transformer, and rewiring to the 105 volt position.
- B. In event the game is tilted or the line cord is removed, any credits accumulated will be reset to zero.

### COIN-TIME ADJUSTMENT SWITCH:

- Located on Game Logic Board (P.C. 507-907) and may be adjusted as indicated on separate instructions located in back-box area.

### VOLTAGE CONTROL POTS:

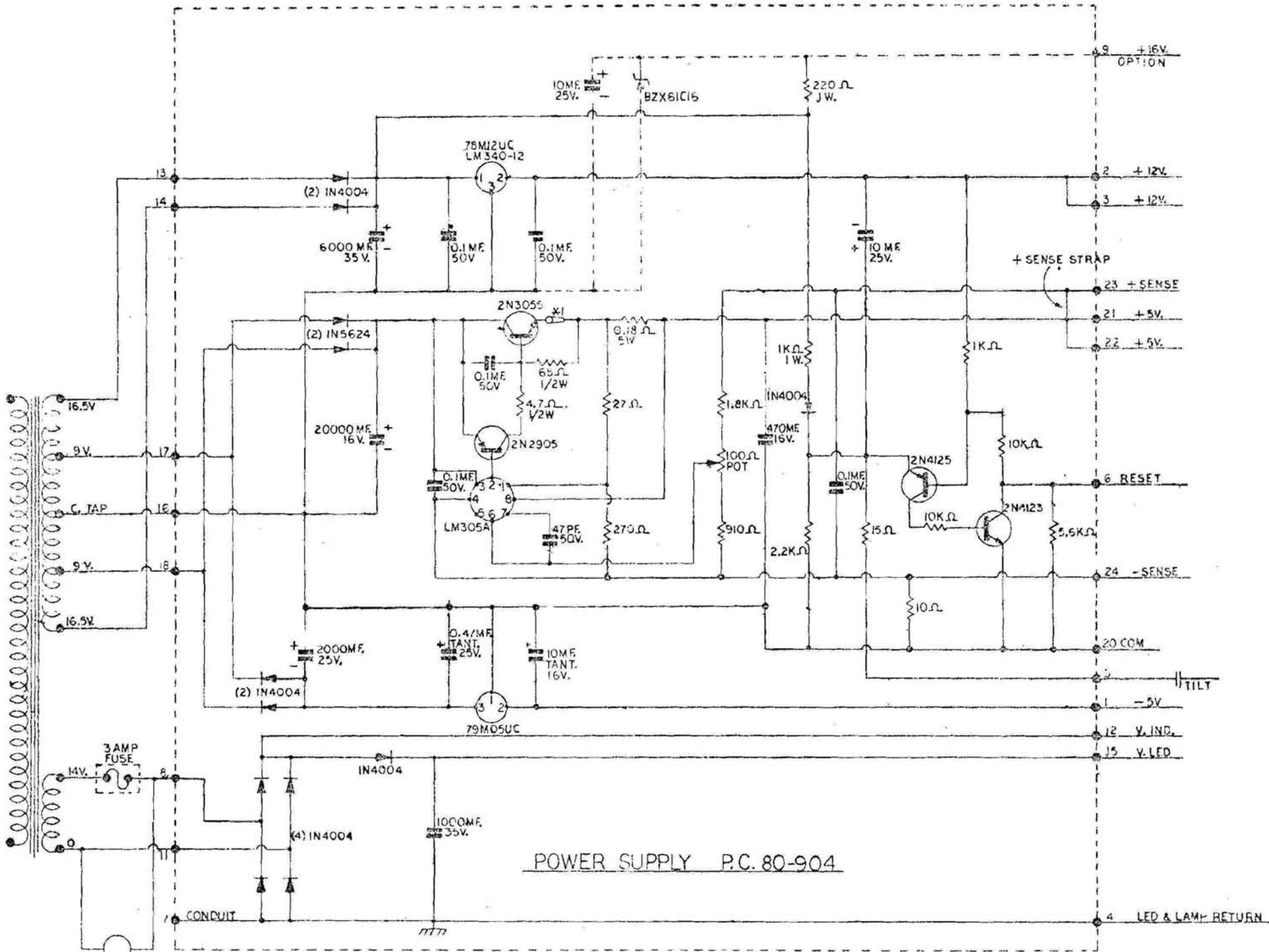
Located on Power Supply Board (P.C. 80-901) and may be adjusted by rotating pot as indicated on separate instructions located in back-box area.

### VOLUME CONTROL POTS:

Located on Game Logic Board (P.C. 597-907).and may be adjusted by rotating pot as indicated on separate instructions located in back-box area.

**CAUTION** -All electronic devices mounted on Logic Unit may be destroyed when subjected to electrostatic charges. Personnel and tools must be properly grounded when handling this unit.

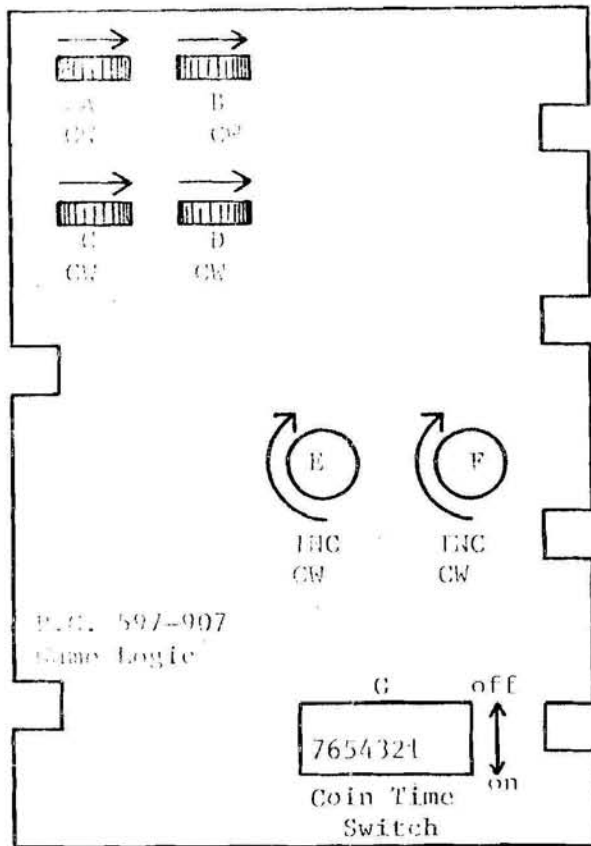
MIDWAY MFG. CO.            10750 W. GRAND AVE.            FRANKLIN PARK, ILL. 60131



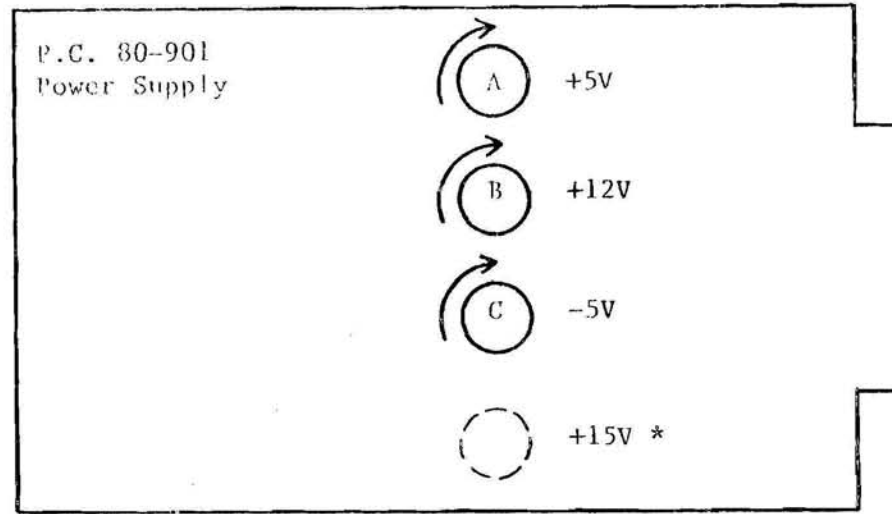
POWER SUPPLY P.C. 80-904

NOTE \*1 FERRITE BEAD FERROXUBE K5-001-0038

\*3 POWER SUPPLY TO BE USED WITH MOTHERBOARD P.C. 80-904.  
 WARNING  
 ⊥ IS COMMON CENTER TAP AND IS NOT CONNECTED TO CONDUIT GROUND CIRCUITS.  
 ⊥ IS CONDUIT GROUND AND IS NOT CONNECTED TO COMMON CIRCUITS.  
 ⊥ & ⊥ ARE CONNECTED TOGETHER AT X FORMER FRAME WITH SEPERATE LUGS



- A - To Increase +5V Rotate Clockwise
- B - To Increase +12V Rotate Clockwise
- C - To Increase -5V Rotate Clockwise.



\* This pot is used only if I.C. 3235 is used at location C5 of Mother Board. (P.C. 80-900)

NOTE: Clockwise is defined as viewed from Pot face.

- A. Left Player scores Hit volume. To increase volume rotate pot as indicated.
- B. Right Player scores Hit volume. To increase volume rotate pot as indicated.
- C. Left Player shot volume. To increase rotate pot as indicated.
- D. Right Player shot volume. To increase rotate pot as indicated.
- E. Left Player Master volume. To increase rotate pot as indicated.
- F. Right Player Master volume. To increase rotate pot as indicated.

**CAUTION:**

This unit is shipped with two different Game Logic Boards (P.C. 597-907B & P.C. 597-907C)

The Coin Time Switch adjusts differently on each board.

The adjusting information for each system follows.