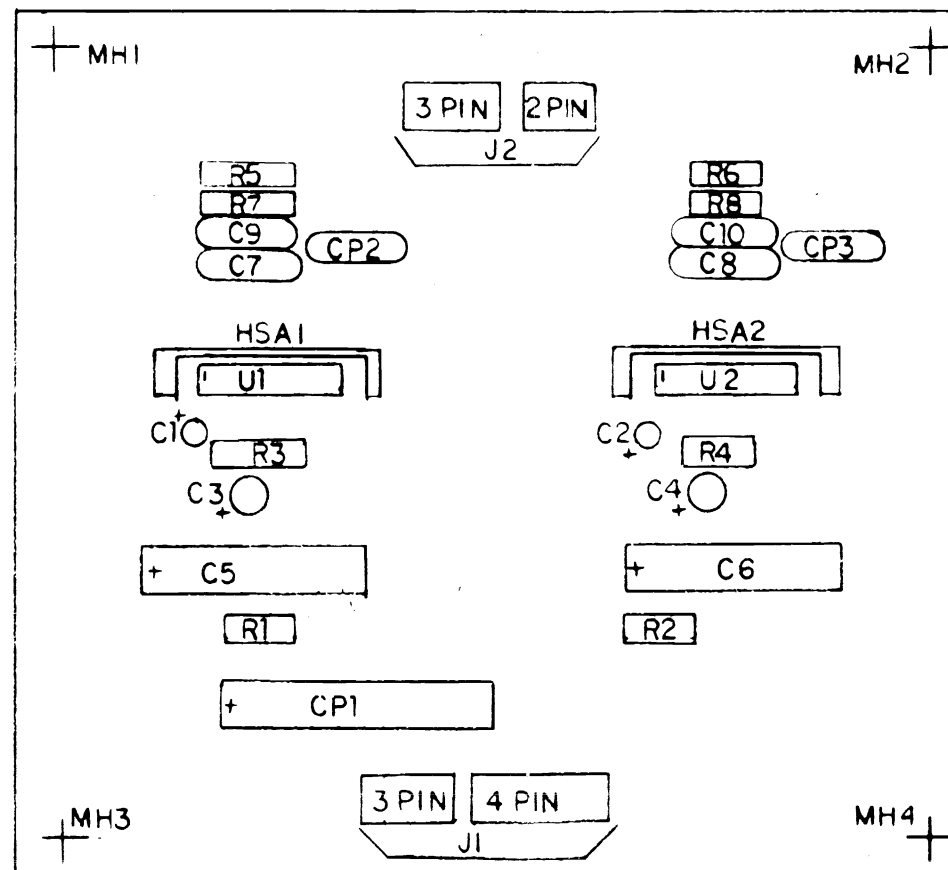


### DESIGNATION LIST

DESIGNATION	DESCRIPTION
C1,C2	4.7mf 25v rd.tant.
C3,C4	22mf 6v " "
C5,C6	470mf 6v ax.elect.
C7-C10	.1mf 50v ax.cr.
CP1	220mf 25v ax.elect.
CP2,CP3	.1mf 50v ax.cr.
R1,R2	2.7K $\Omega$ 1/4w 5% CRBN.
R3,R4	27 $\Omega$ " " "
R5-R8	1 $\Omega$ 1/2w " "
U1,U2	MB3730
J1	3 PIN STRT.KKI56
J2	4 " " "
HSA1,2	HEATSINK ASSY.
MH1-MH4	HEYCO BUSHING

### CROSS REFERENCE LIST

DESCRIPTION	QTY	DESIGNATION	PART NO
.1mf 50v ax.cr.	6	C7-C10, CP2,CP3	0986-00800-1100
4.7mf 25v rd.tant.	2	C1,C2	0986-00800-3100
22mf 6v	2	C3,C4	0986-00800-1600
220mf 25v ax.elec.	1	CP1	0986-00800-3200
470mf 6v	2	C5,C6	0986-00800-1700
1 $\Omega$ 1/2w 5%	4	R5-R8	0062-026D3-1XXX
27 $\Omega$ 1/4w	2	R3,R4	0062-068B3-1XXX
27K	2	R1,R2	0062-199B3-1XXX
MB3730	2	U1,U2	0066-188XX-XX4X
2 PIN STRT.KKI56	1	J2	3000-16367-0200
3 " " "	2	J1,J2	3000-16367-0300
4 " " "	1	J1	3000-16367-0400
HEATSINK ASSY	2	HSA1, HSA2	0986-00804-1800
HEYCO BUSHING	4	MH1-MH4	0017-00042-0014
PC BOARD	1		A080-90910-D000



PROJECT ENG. C.MEDNICK

THIS DWG IS CONFIDENTIAL & PROPERTY OF MIDWAY MFG CO.

DIM. TOLERANCES UNLESS OTHERWISE SPEC		FIRST USED BY KICK	
CONCENTRICITY T I R	± .002	DATE	SCALE
FRACTIONAL	± 1/64	TJK	11-30-81
DECIMAL	± .005		FULL
HOLE DIA	+ .002 - .000		
ANGLE	± 1.2°		
DO NOT SCALE DWG			

**MIDWAY MFG. CO.**  
FRANKLIN PK., IL. 60131 A BALLY CD

**DUAL PWR. AMP. ASSY**  
A082-90910-D000

REVISIONS
PART NO M051-00986-D010