

# POWER-DRIVE U.R. 3 PLAYER

*Bally*

MIDWAY MFG. CO.

10601 W. Belmont Avenue  
Franklin Park, Illinois 60131  
U.S.A.



Phone: (312) 451-9200 Cable Address: MIDCO Telex No.: 72-1596

OE68-00300-0000

**WARNING**

**THIS GAME MUST BE GROUNDED. FAILURE TO DO SO MAY RESULT IN DESTRUCTION TO ELECTRONIC COMPONENTS.**

**WARNING:** This equipment generates, uses and can radiate radio frequency energy and if not installed and used in accordance with the instruction manual, may cause interference to radio communications. It has been tested and found to comply with the limits for a CLASS A computing device pursuant to SUBPART J of PART 15 of FCC RULES, which are designed to provide reasonable protection against such interference when operated in a commercial environment. Operation of this equipment in a residential area is likely to cause interference in which case the user at his own expense will be required to take whatever measures may be required to correct the interference.

ELECTRICAL BULLETIN: FOR ALL APPARATUS COVERED BY THE CANADIAN STANDARDS ASSOCIATION (CSA) STANDARD C22.2 NO. 1, WHICH EMPLOYS A SUPPLY CORD TERMINATED WITH A POLARIZED 2-PRONG ATTACHMENT PLUG.

CAUTION: TO PREVENT ELECTRIC SHOCK DO NOT USE THIS (POLARIZED) PLUG WITH AN EXTENSION CORD, RECEPTACLE OR OTHER OUTLET UNLESS THE BLADES CAN BE FULLY INSERTED TO PREVENT BLADE EXPOSURE.

ATTENTION: POUR PREVENIR CHOCS ELECTRIQUES NE PAS UTILISER CETTE FICHE POLARISEE AVEC UN PROLONGATEUR. UNE PRISE DE COURANT OU UNE AUTRE SORTIE DE COURANT, SAUF SI LES LAMES PEUVENT ETRE INSEREES A FOND SANS EN LAISSER AUCUNE PARTIE A DECOUVERT.

*Bally*/MIDWAY  
T.M.

*Invites You To Use*

OUR TOLL FREE NUMBER FOR  
SERVICE INFORMATION CONCERNING THIS GAME, OR ANY  
OTHER BALLY/MIDWAY™ GAME YOU NOW HAVE ON LOCATION.

CALL US FOR PROMPT, COURTEOUS  
ANSWERS TO YOUR PROBLEMS.

**Video or Pinball - Continental U.S. 800-323-7182**

*Bally*/MIDWAY  
T.M.

10601 West Belmont Avenue Franklin Park, Illinois, 60131 phone (312) 451-9200

©COPYRIGHT MCMLXXXVI BY BALLY MIDWAY MFG. CO. ALL RIGHTS RESERVED.

NO PART OF THIS PUBLICATION MAY BE REPRODUCED BY ANY MECHANICAL, PHOTOGRAPHIC, OR ELECTRONIC PROCESS, OR IN THE FORM OF A PHONOGRAPHIC RECORDING, NOR MAY IT BE TRANSMITTED, OR OTHERWISE COPIED FOR PUBLIC OR PRIVATE USE, WITHOUT PERMISSION FROM THE PUBLISHER. THIS MANUAL IS FOR SERVICE USE ONLY, AND NOT FOR GENERAL DISTRIBUTION. FOR PERMISSION REQUESTS, WRITE: BALLY MIDWAY MFG. CO., 10601 W. BELMONT AVE., FRANKLIN PARK, IL 60131.

Printed In U.S.A.

**"GAME DESCRIPTION" IS NOT AVAILABLE AT THIS TIME.**

"GAME DESCRIPTION" IS NOT AVAILABLE AT THIS TIME.

## GENERAL INSTRUCTIONS

### FOR

## POWER DRIVE - 3 PLAYER - U. R.

### INSTALLATION

1. Remove keys from the taped coin return slot and unlock to open the coin box door.
2. Remove four (4) "CABINET LEVELING LEGS" from inside the coin box.
3. Tip the cabinet to the side and remove the shipping cleats from its bottom.
  - Locate the threaded holes - one in each corner - and install the "CABINET LEVELING LEGS" in them.
  - Level the cabinet.
  - When finished, the cabinet should be stable in the upright position.
4.
  - Unlock and remove the rear access door to gain access to the 3-pronged line cord. Reinstall the rear access door.
5. Connect the 3-pronged line cord to a 3-slot A.C. wall outlet to insure proper grounding.
6. The power ON/OFF switch is located:  
UPRIGHT MODEL: On top to the right rear of the cabinet as you face the cabinet.

### TO SERVICE THE CONTROL PANEL

1. UPRIGHT MODEL:
  - Turn power to the game off.
  - The control panel is held in place by two (2) latch clamps which provide constant pressure on the strikes.
  - They can be reached through the coin door.
  - To release the clamps, lift up and toward the center of the control panel.
  - Once they are released, unhook them from their strikes.
  - Swing out the control panel on it's hinge against the cabinet front for servicing.
  - To resecure the control panel, reverse this procedure.

**NOTE:** To remove the control panel for bench-servicing only:

- With the control panel in it's open position, disconnect it from it's cabling.
- Remove the screws which secure the continuous hinge to the cabinet.
- The control panel is now loose and may be bench serviced.
- To reinstall the control panel, reverse this procedure.

### REMOVAL OF THE VIEWING GLASS

1. UPRIGHT MODEL:

**NOTE:** To accomplish this, the hinged control panel MUST swing open to rest against the cabinet front. See the "TO SERVICE THE CONTROL PANEL-UPRIGHT MODEL" procedure.

- Turn power to the game off and swing open the hinged control panel. This frees the viewing glass so it can be removed.

- By putting your fingers in the slot in the middle of the main-display-glass support, the viewing glass can be removed as follows:
  - 1) Lift the glass up.
  - 2) Swing the bottom edge of the glass out slightly forward.
  - 3) Drop the glass down so that its' top edge is slightly below the bottom edge of the speaker grille.
  - 4) Now, holding the glass by its' top edge and bottom edge, lift up and out.
- To reinstall the viewing glass, reverse this procedure.

#### REMOVAL OF THE HEADER (ATTRACT) GLASS AND/OR THE FLUORESCENT LIGHT ASSEMBLY AND/OR THE SPEAKER(S)

##### 1. UPRIGHT MODEL:

- Turn the power to the game off.
- Removal of the header (attract) glass:
 

The glass is held in place by the speaker grille at the bottom and a retaining bracket at the top.

The retaining bracket is secured to the cabinet top by five tamper-resistant screws. Remove these screws by using a special wrench provided in the Hardware and Bag Assembly.

Remove the retaining bracket and slide up the header glass. This exposes the fluorescent light assembly.

The fluorescent light tube may be replaced at this time.

**\* WARNING: If you drop a fluorescent tube and it breaks, IT WILL IMplode!**  
Use care in handling.

To reinstall the header glass, reverse this procedure.
- Removal of the fluorescent light assembly (see picture on page 2-9):
 

Be sure the power to the game has been turned off.

Disconnect it from it's power cable.

Remove the fluorescent light assembly's three mounting screws and then remove the assembly from the cabinet.

To reinstall the fluorescent light assembly, reverse this procedure.
- Removal of the speaker(s):
 

Be sure the power to the game has been turned off.

Remove the header glass and disconnect cabling from the speaker(s).

**NOTE:** To remove one or both speakers, it is NOT required to remove the speaker grille.

The grille is held to the cabinet with tamper-resistant screws. Each speaker is secured to the wooden speaker panel by two carriage bolts and two nuts. Remove the speaker(s) by removing the nuts and sliding the bolts out of the grille.

To reinstall the speaker(s), reverse this procedure.

#### VOLUME CONTROL POT / OPTION SWITCH LOCATIONS

The volume control pot is located, along with the credit switch and the self-test switch, just inside the cabinet on the right side of the coin door frame. The option switch is located as shown in the attached Monoboard reference drawing. For adjustment, it can be reached through the game's rear access door.

To make the sounds louder, turn the volume pot clockwise as you face it.

To make the sounds less loud, turn the volume pot counterclockwise as you face it.

## SELF-TEST MODE

The Self-Test mode is a special mode for checking the game switches and computer functions. It is the most complete way of checking for proper game operation and is quite easy to use.

The Self-Test mode may be entered at any time and from any mode of operation. Simply locate the black slide switch inside the Coin Box compartment and slide it to the Self-Test position. With this switch in the Self-Test position, activate the slam switch located on the Coin Door. The game will enter the Self-Test mode immediately and display the following test menu....

1. INPUT TEST
2. OUTPUT TEST
3. DIPSWITCH OPTIONS
4. SELF-DIAGNOSTICS
5. GRID TEST

TO MOVE CURSOR UP, PRESS LEFT WHEEL BUTTON OF LEFT, MIDDLE, OR RIGHT SET.  
TO MOVE CURSOR DOWN, PRESS RIGHT WHEEL BUTTON OF LEFT, MIDDLE, OR RIGHT SET.  
TO EXECUTE TEST, PRESS ANY "WHEELIE" BUTTON.

1. INPUT TEST: This test is designed to confirm the operation of player input switches and device switches in the game. When you enter the test, the screen displays the following:

WHEELIE 1 .....	OPEN	WHEELIE 3 .....	OPEN
SHIFT 1 .....	OPEN = 2WD	SHIFT 3 .....	OPEN = 2WD
LEFT WHEEL 1 .....	OPEN	LEFT WHEEL 3 .....	OPEN
RIGHT WHEEL 1 .....	OPEN	RIGHT WHEEL 3 .....	OPEN
WHEELIE 2 .....	OPEN	COIN CHUTE 1 .....	OPEN
SHIFT 2 .....	OPEN = 2WD	COIN CHUTE 2 .....	OPEN
LEFT WHEEL 2 .....	OPEN	COIN CHUTE 3 .....	OPEN
RIGHT WHEEL 2 .....	OPEN		
		CREDIT BUTTON .....	OPEN

When you activate any one of the above switches, its' respective message "OPEN" changes to "CLOSED" except for SHIFT 1, SHIFT 2, or SHIFT 3. For any one of these three, when the shift lever is down, "OPEN = 2WD" appears on the screen (switch de-activated). The shift lever is now in 2 wheel drive. When the shift lever is up, "CLOSED = 4WD" appears on the screen (switch activated). The shift lever is now in 4 wheel drive. To exit this test, activate the coin door slam switch.

2. OUTPUT TEST: This test is designed to confirm the operation of all 3 players' Wheel button lights will flash in sequence with the following messages displayed on the screen:

PLAYER 1 .....	LIGHT ON
PLAYER 1 .....	LIGHT OFF
PLAYER 2 .....	LIGHT ON
PLAYER 2 .....	LIGHT OFF
PLAYER 3 .....	LIGHT ON
PLAYER 3 .....	LIGHT OFF

This cycle continues unless:

- A. You press any one of the Wheel buttons to hold a light ON.
- B. You exit the test by activating the coin door slam switch.

- 3. DIPSWITCH OPTIONS: This test displays, on the screen, the current status of dip switch settings. To exit this test, activate the coin door slam switch.
- 4. SELF-DIAGNOSTIC TEST: For this test only, press any Wheel button to run diagnostics. If at the end of the run, the message "ALL TEST OK" is displayed on the screen then the test is successful. If this message is not displayed, there exists a diagnostics problem. A test of the Sound Board interface is included in the run. To exit the test, activate the coin door slam switch.
- 5. GRID DISPLAY: This test was designed to display a crosshatch pattern used in adjusting the color monitor. This pattern may be used to adjust convergence, color balance, vertical linearity, and vertical/horizontal size. To exit this test, activate the coin door slam switch.

**NOTE:** One Sound Test available with this game is when activating any of the Wheel buttons (e.g. when moving the cursor along the test menu) and when activating the coin door slam switch.

**IMPORTANT NOTE:** There is NO battery back up provided for this game. All logic & memory functions will be retained thru dip switch settings.



POWER DRIVE U. R.

OPTION SWITCH SETTINGS

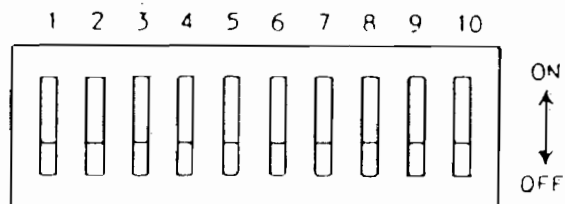
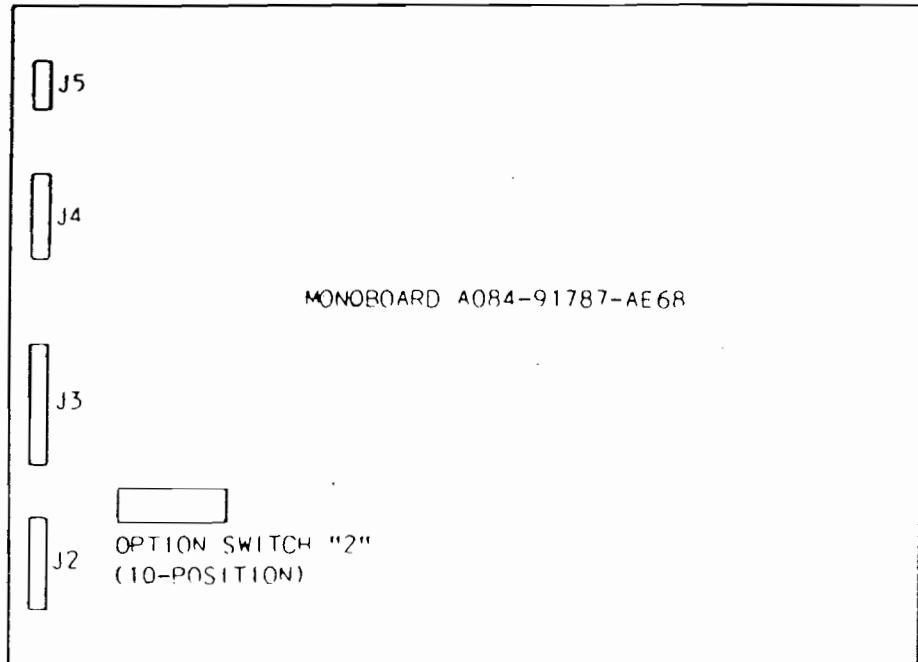
////////////////////////////////// SWITCH NO. 2 - AT A13 - LOCATED ON MONOBOARD //////////////////////////////////

	<u>SW#1</u>	<u>SW#2</u>	<u>SW#3</u>	<u>SW#4</u>	<u>SW#5</u>	<u>SW#6</u>	<u>SW#7</u>	<u>SW#8</u>	<u>SW#9</u>	<u>SW#10</u>
			NOT USED	NOT USED					NOT USED	
<u>COIN SETTINGS:</u> 1 COIN / 1 CREDIT 2 COINS / 1 CREDIT 1 COIN / 2 CREDITS 1 COIN / 1 CREDIT	OFF	OFF								
	ON	OFF								
	OFF	ON								
	ON	ON								
<u>DIFFICULTY LEVEL SETTINGS:</u> FACTORY SETTING LEVEL 2 EASY LEVEL 1 HARD LEVEL 3 HARDEST LEVEL 4					OFF	OFF				
					ON	OFF				
					OFF	ON				
					ON	ON				
<u>ATTRACT SEQUENCE SOUNDS:</u> SOUNDS NO SOUNDS							OFF			
							ON			
<u>NEW GAME RACK NUMBER:</u> 1ST RACK ALWAYS RESETS TO RACK 1 1ST RACK STARTS WHERE LAST GAME ENDED								OFF		
								ON		
<u>VIDEO FREEZE MODE:</u> NORMAL VIDEO FREEZE VIDEO									OFF	
									ON	

FACTORY SETTING - ALL LOGIC SWITCHES SET IN THE "OFF" POSITION | PART NO. M051-00E36-A007

P.C. BOARD REFERENCE DRAWING

FOR MONOBOARD SYSTEM



## INTRODUCTION

This manual offers generalized troubleshooting procedures for common types of malfunctions which can be applied to most video games. We will not attempt to give you specific instructions for troubleshooting particular games because this would involve hundreds of pages of more repetitive instructions, differing only in the specific details of each game.

The most common problems occur in harness components such as the coin acceptor, player controls, interconnecting wiring, etc. These areas are covered in moderate detail.

The TV Monitor and Game Logic Printed Circuit Boards (PCB's) provide their fair share of problems too, but not to the extent of the harness and its component parts.

As you already know, the Game Logic PC Boards are complex devices. Each contains a great number of different interrelated circuits. The major changes which give each game its own particular individuality are accomplished in the EPROMS and other Integrated Circuit devices that are installed on each of these PC Boards.

## GENERAL TROUBLE SHOOTING SUGGESTIONS

The first step in troubleshooting is to correctly identify the malfunctions symptoms. This includes not only the circuits or features malfunctioning, but also those still operational. A carefully trained eye will pick up other clues to what's wrong as well. For instance, a game in which the computer functions fail completely just after money was collected may have a quarter shorting the PCB traces. Often an experienced troubleshooter will be able to spot the cause of a problem even before opening the cabinet.

After all the clues are carefully considered, the possible malfunctioning areas can be narrowed down to one or two good suspects. Those areas can be examined by a process of elimination until the cause of the malfunction is discovered.

## HARNESS COMPONENT TROUBLESHOOTING

Typical problems falling in this category are coin and credit problems, power problems, and failure of individual features.

**NO GAME CREDIT** - - For example, a prospective game player inserts a quarter or token and is not awarded a game. The first thing to check is whether or not the quarter or token is returned. If it was returned, the malfunction most certainly lies in the coin acceptor itself. First, use a set of test coins (both old and new) to ascertain that the player's coin is not undersize or underweight. If your test coins are also returned, coin acceptor servicing is indicated. Generally, the cause of this particular problem is a maladjusted magnet gate. Normally, this will mean slightly closing the magnet gate by turning the adjusting screw out a bit.

If the quarter or token is not returned and there is no game credit, the cause of the malfunction may be in one of several areas. First, try operating the coin return button; if the coin is returned, the problem is most likely in the magnet gate. Enlarge the gap according to the coin acceptor manufacturers service procedures. If this does not cure the problem, remove the coin acceptor, clean it, and perform the manufacturers suggested major adjustment procedure.

If the trapped coin is not returned when the wiper lever is actuated, you may have an acceptor jammed by a slug, gummed up with beer, a jammed coin chute, or mechanical failure of the acceptor mechanism. In this case, first check for the slug that will generally be trapped against the magnet. If a slug is found, simply remove it and test the acceptor. If the chute is blocked, remove the acceptor and remove the jammed coins. If there is actual failure of the acceptor, remove the unit and repair as indicated by the acceptor manufacturers service procedures.

If the coin is making its way through the acceptor (that is, falling into the coin box), yet there is still no game credit, you either have a mechanical failure of the coin switch or electrical failure of the coin and credit circuits. The first place to begin is by checking the coin switch. Most of these switches are the make/break variety of micro switch. They are checked for continuity between the "NO", "NC", and "C" terminals. When not actuated, the "NC" and "C" terminals should be continuous and the "NO" terminal open. When actuated, the "NO" and "C" terminals should be continuous and the "NC" terminal open. If the coin switch checks good, inspect the solder connections to the coin switch terminals to be sure there is good contact at this point. If necessary, use a continuity tester and check from the terminal lug on the switch to the associated PCB trace. This will tell you if there is a continuous line all the way to the credit circuit.

If the coin switch wires do check good, the problem is in one of the game logic boards - most likely in the coin and credit circuitry.

If you do get a game credit when a coin is deposited, but the game will not start when the one or two player start button is pressed, there may be a problem in the start switch, the interconnecting wiring, or the game logic boards. First, check the switch. If the switch is OK, proceed to check the wiring. Again, make sure you go from the terminal lug on the switch to the PCB trace. This way, you will check the terminal contact as well as the PCB edge connector contact. If the wiring is continuous, proceed to check the PCB credit circuit. If not, check each section of the wiring, until the discontinuity is located. If the wiring is OK, the problem must lie in the games logic boards.

#### TRANSFORMER AND LINE VOLTAGE PROBLEMS

Your game **MUST** have the correct line voltage to operate properly. If the line voltage drops too low, one of the games logic circuits will disable the credit acceptance circuit. The point at which the games logic circuits will fail to function is approximately 105 volts AC.

Low line voltage may have many causes. Line voltage normally fluctuates a certain amount during the day as the total usage varies. Peak usage times occur mainly at dawn and/or dusk. So if your games problem seems to be related to the time of day, this may be a factor. A large load connected to the same line as the game (such as a large air conditioner or other device with an exceptionally large electric motor) may drop the line voltage significantly when starting up. This drop can result in an intermittent credit problem. In addition, poor connections in the location wiring, plug, or line cord may also cause a significant drop in power. Cold solder joints in the games harness, especially in areas like the transformer connections, interlock switch, or fuse block, may also produce the same results, although probably on a more permanent basis.

Sometimes location owners (especially in bars) replace light switches with dimmer rheostats, and the game is sometimes on the same line. Obviously, the voltage available to the game is going to drop dramatically when the dimmer is turned down.

In any case, the way to check for proper line voltage is with your VOM. Set the VOM to the 250 VAC scale and stick the probes into the wall outlet the game was connected to. If it's OK here, check the transformer primary connections. If you do not get 117 VAC, examine the solder joints on the transformer, fuse block, and interlock switch. If you do get 117 VAC, the problem must be either in the transformer, harness connections, or in the PCB power supply.

If you suspect the transformer, check its secondaries with the VOM set to the 50 VAC scale and correlate the readings with the legend on the side of the transformer. The transformer must also be correctly grounded, so check the ground potential as well, especially if there is a hum bar rolling up or down the Monitor screen.

**NO POWER, NO PICTURE** - - If the Monitor screen is completely dark, first look in back of the Monitor to see if the CRT filament is glowing. If it is, try adjusting the brightness control. If no luck here, put your ear near the Monitor and listen for the high-pitched B+ hum produced by the flyback transformer. If you get the hum but no picture, and you have tried adjusting the brightness, major Monitor servicing is indicated.

If the monitor seems completely dead, check the rest of the game to see if it has power. If it doesn't, go directly to the wall outlet and check there. If OK there, check the game fuse(s), interlock switch, and interconnecting wire lengths.

Sometimes it is difficult to tell if a slow-blow fuse has blown. If in doubt, check it using any of the VOM "R" scales.

**HARNESS PROBLEMS** - - Other harness problems include blowing fuses and malfunctioning controls. The repeating blown-fuse problem can sometimes be quite exasperating to solve. Short circuits have the tendency to occur in areas almost impossible to find. First, try inserting a new fuse as old fuses age and sometimes blow without cause. If the new fuse also blows, you definitely have a short.

The best way to approach this problem is by disconnecting devices that may be causing the problem, such as the TV Monitor, the various PCB's one at a time, and the isolation transformer. Disconnect the devices by FIRST turning the game off, disconnecting it from its wall outlet. Remove the blown fuse and connect your VOM across the terminals of the fuse block (this will save blowing a fuse each time you want to check the circuit). Set your VOM to one of its resistance scales. You should be reading a short. If not you probably have a part that only shorts out after it is heated up - we'll cover this in a minute. So, assuming you are reading a short on your VOM, disconnect the components from their cabling one at a time, checking the VOM after each one is disconnected. When the short disappears, you have just disconnected the bad component. If all components are disconnected and the short still remains, the problem is in the harness and only patient exploration will reveal its location. Carefully examine all the wiring, looking for terminals that may be touching, metal objects such as coins shorting the connections, or burned insulation. If necessary, use the VOM to check each suspected wire.

OK, now lets assume that you connected your VOM across the fuse block terminals as stated above and you did not read a short. This most likely means that you have a component somewhere in that game that **ONLY** goes bad **AFTER** it heats up. It checks good when its cold. In this case, turn the game off and disconnect **ALL** of its components. Install a known good fuse in the fuse block. And turn the game on. If the fuse does not blow after a few minutes, you know that it is not anything to do with the wire harness. (In this instance, it shouldn't be, actually. But it never hurts to check.) Next, turn the game off again and reconnect **ONE** component. Turn the game back on and wait a few minutes to see if the fuse blows. If it does not, turn the game off again and reconnect another single component.

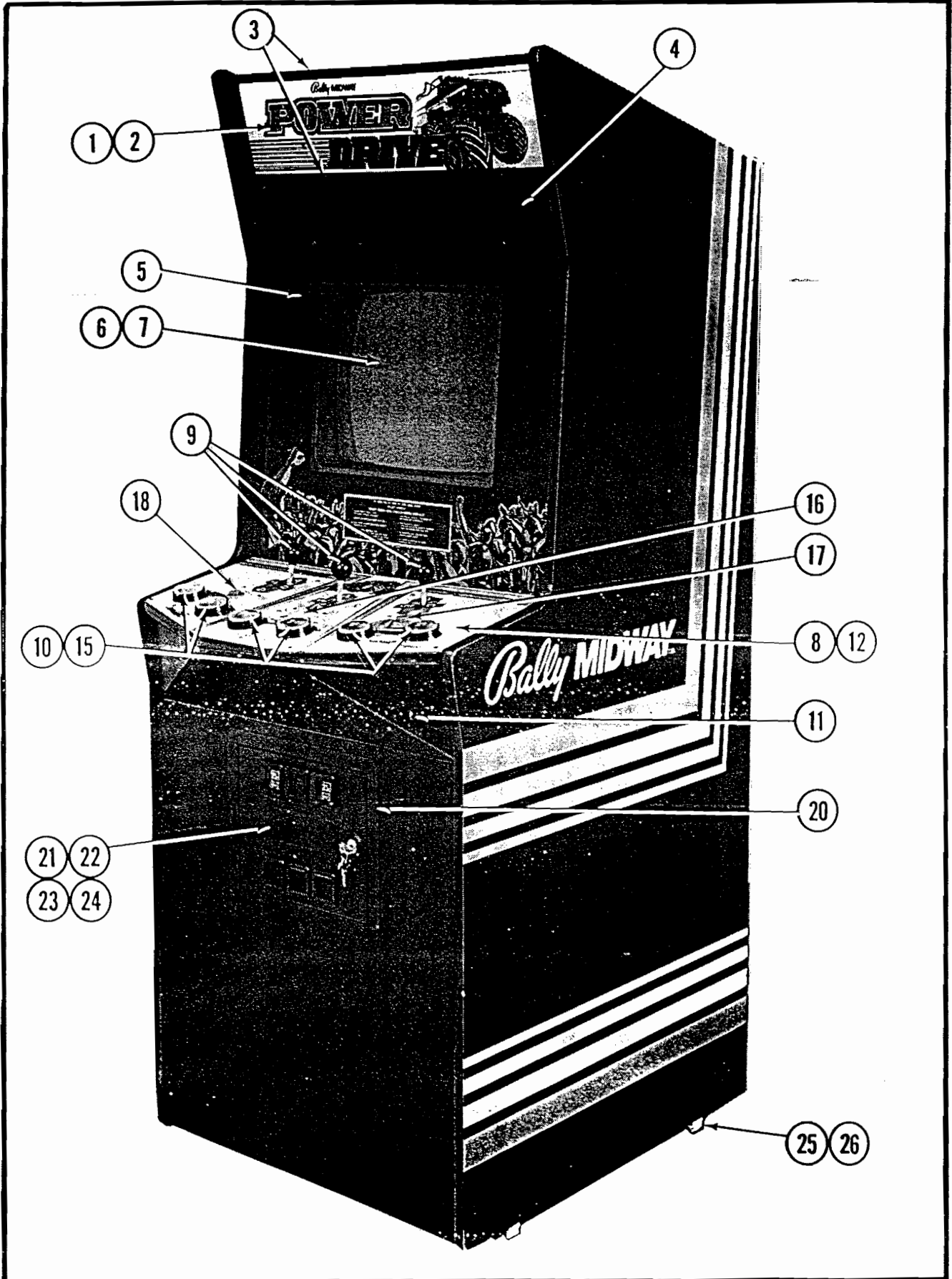
Turn the game back on and wait a few minutes to see if the fuse blows. Repeat this procedure until the fuse blows. When it does blow, the last component you connected has the part on it that is going bad after it warms up and is shorting out.

**MALFUNCTIONING CONTROLS** - - The most common problem here is the bad potentiometer (pot). Typically, a bad pot will cause the image on the screen to jump when it reaches a certain point. The only cure for this one is to install a new pot.

If a feature that is operated by a switch (for example, joysticks, foot pedals, control panel buttons) does not operate at all, check the switch with a VOM or continuity tester to verify its operation. If the switch does not check good, replace it. If the switch is OK, you should suspect the input to the switch from the PCB. In this case, get out the harness and logic schematics and check to see what kind of input is supposed to be at this switch. In many cases, the input will be +5 volts DC. If so, use the VOM to check its presence with the game turned on. Normally, the switch is used to pull a +5 volt DC line LOW to GROUND or to pull a LOW line HIGH. If the PCB output is missing, check the wire length from the PCB. If you find the signal at the PCB trace, the wire length or connection is at fault. If there is no signal at the PCB trace, begin exploring the PCB using the logic schematics and game manual.

**SECTION 2**  
**ILLUSTRATED PARTS BREAKDOWN**

POWER-DRIVE U.R. - 3 PLAYER - FRONT





POWER-DRIVE U.R. - 3 PLAYER - FRONT PARTS LIST

ORDER BY PART NUMBER ONLY

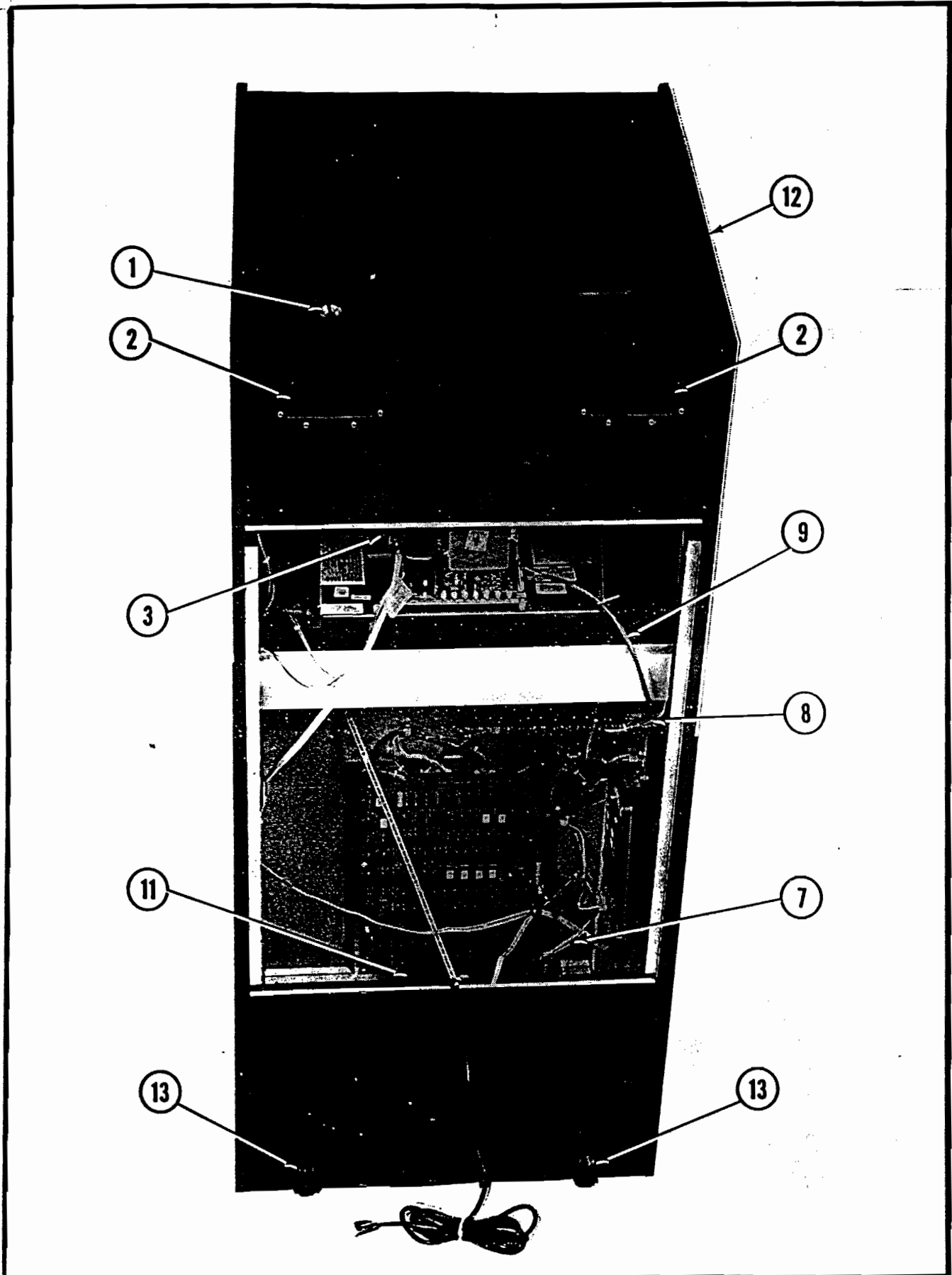
ITEM	PART NO.	DESCRIPTION
1	0E68-00900-00XF	HEADER GLASS: SCREENED
2	A595-00011-0000	HEADER FLUORESCENT LIGHT ASSY. (NOT SHOWN)
3	0574-00903-0700	HEADER RETAINING BRKT. (2 REQ'D.)
*	0017-00101-0138	#8 X 10 TORX TAMPER PROOF SCREW (11 REQ'D.)
*	0017-00009-0522	LONG ARM KEY: (FOR ABOVE SCREW) TAMPER RESISTANT
4	0E36-00102-00XF	BLACK SPEAKER GRILLE
*	0017-00003-0570	5-1/4" SPEAKER - 4 OHM, 15W (2 REQ'D.) (NOT SHOWN)
5	0017-00042-0314	BEZEL: 19" INJECTION MOLDED
6	0E68-00901-00XF	MAIN VIEWING GLASS
7	0017-00003-0465	WELLS-GARDNER - 19" COLOR DUAL SYNCH HORIZONTAL MTG. MONITOR
	AE68-00004-0000	CONTROL SHELF ASSY.: (INCLUDES ITEMS 8 THRU 18)
8	0E68-00501-0000	CONTROL SHELF: WOOD
9	AB96-00012-0000	BALL KNOB & HANDLE ASSY. (3 REQ'D.)
	0B96-00901-0000	BALL KHOB: BLACK, ROUND (3 REQ'D.)
10	AB96-00016-0000	2-WAY SPEED SHIFT (3 REQ'D.)
11	AE36-00010-00XF	CONTROL - APRON WELD ASSY.
12	0E68-00902-00XF	OVERLAY
13	0017-00032-0093	PUSHBUTTON SWITCH W/HOLDER, WHITE (3 REQ'D.) (NOT SHOWN)
14	0017-00042-0300	BUTTON: PUSH: ROUND: WHITE (3 REQ'D.) (NOT SHOWN)
15	0017-00032-0108	PUSHBUTTON: ILLUMINATED, WHITE (6 REQ'D)
16	0017-00042-0301	BUTTON: PUSH, ROUND, YELLOW
17	0017-00042-0302	BUTTON: PUSH, ROUND, BLUE
18	0017-00042-0304	BUTTON: PUSH, ROUND, RED
*		NOT PART OF ABOVE ASSEMBLY & MUST BE ORDERED SEPARATELY

POWER-DRIVE U.R. - 3 PLAYER - FRONT PARTS LIST (CONT'D.)

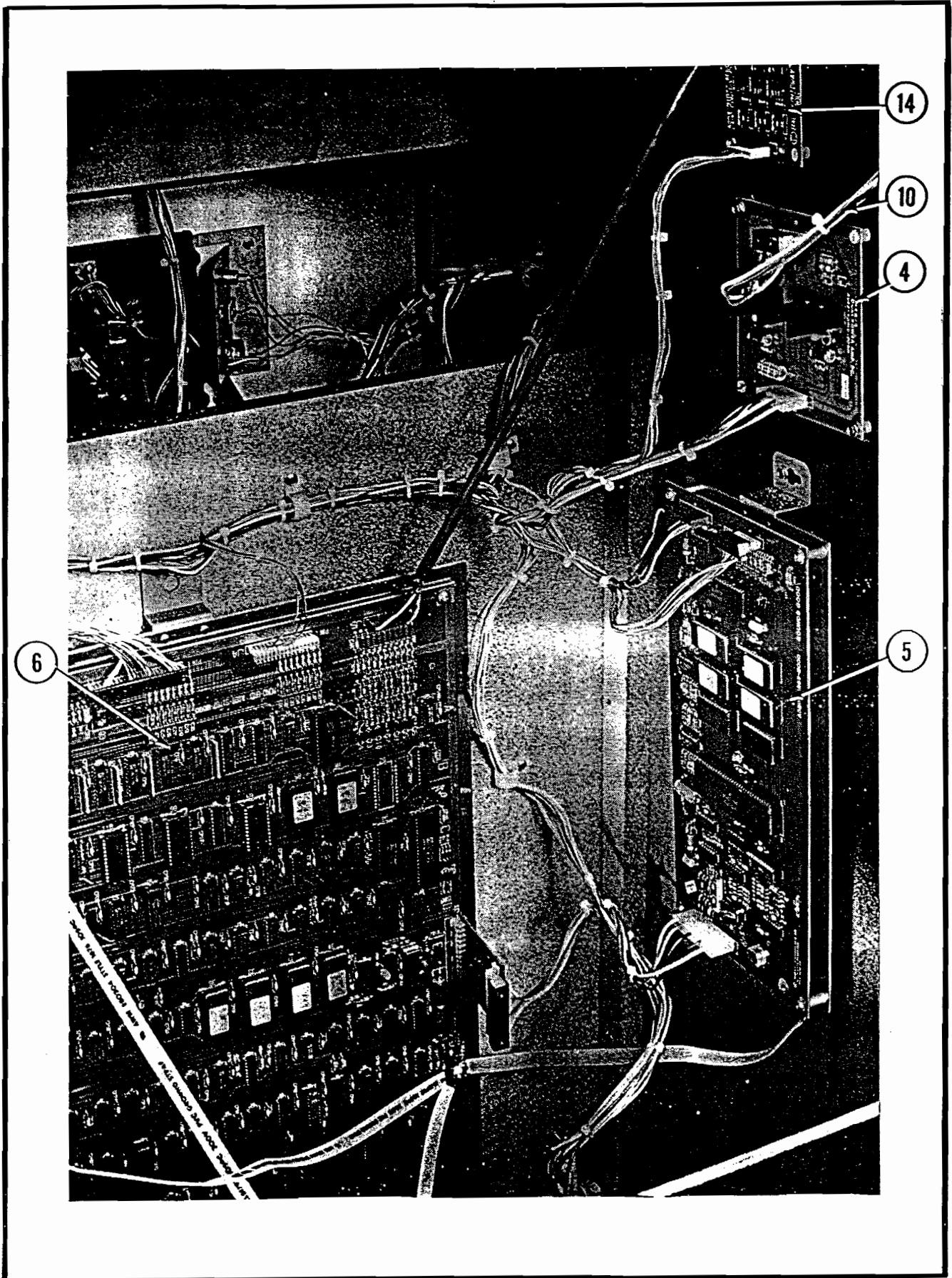
ORDER BY PART NUMBER ONLY

ITEM	PART NO.	DESCRIPTION
19	0017-00103-0054	5/8 X 11 PAL NUT (3 REQ'D.) (NOT SHOWN)
*	0017-00009-0534	BASSICK CLAMP (2 REQ'D.) (NOT SHOWN)
*	0555-00901-0000	PIN: LOCATING (MOLDED) (8 REQ'D.) (NOT SHOWN)
20	0090-00002-04BK	COIN DOOR FRAME: LARGE BLACK DOUBLE
21	A982-00015-0000	U.S.A. 25¢ COIN DOOR & CABLE ASSY.
22	0017-00009-0477	CASH BOX: MOLDED (NOT SHOWN)
23	0950-00009-0477	COVER: COIN BOX (NOT SHOWN)
24	0950-00112-0000	BASKET: COIN BOX - WIRE (NOT SHOWN)
25	0017-00102-0048	LEG LEVELERS (4 REQ'D.)
26	0017-00103-0026	NUT 3/8 -16 HEX (FOR LEG LEVELERS) (4 REQ'D.)
*		NOT PART OF ABOVE ASSEMBLY & MUST BE ORDERED SEPARATELY

# POWER-DRIVE U.R. - 3 PLAYER - REAR ACCESS



POWER-DRIVE U.R. -3 PLAYER -REAR ACCESS



POWER-DRIVE U.R. - 3 PLAYER - REAR ACCESS PARTS LIST

ORDER BY PART NUMBER ONLY

ITEM	PART NO.	DESCRIPTION
1	A945-00062-0000	ON-OFF SWITCH & PLATE ASSY.
	0017-00032-0105	SWITCH: 2PST 6 AMP
	0567-00106-0500	PLATE: MTG. - SWITCH
2	0894-00916-0100	PLASTIC PULL & VENT (2 REQ'D.)
3	0017-00003-0465	WELLS-GARDNER - 19" COLOR DUAL SYNCH HORIZONTAL MTG. MONITOR
4	AE68-00013-0000	DUAL POWER AMP P.C.B. W/SPACERS
	B084-90910-G000	DUAL POWER AMP P.C.B. ASSY.
	0017-00042-0320	SPACER: SELF RETAINING FOR #8 SCREW (4 REQ'D.)
5	AE68-00011-0000	CARDRACK W/SOUNDS P.C.B. ASSY.
	B084-91863-AE68	PROGRAMMED SOUNDS GOOD P.C.B.
	0017-00042-0320	SPACER: SELF RETAINING FOR #8 SCREW (4 REQ'D.)
6	AE68-00012-0000	CARDRACK W/MONOBOARD ASSY.
	B084-91787-AE68	PROGRAMMED MONOBOARD ASSY.
	0017-00042-0320	SPACER: SELF RETAINING FOR #8 SCREW (6 REQ'D.)
7	AE68-00006-0000	MASTER CABLE W/BRKT. ASSY. (INCLUDES FOLLOWING 4 ITEMS)
	0017-00032-0007	SWITCH: SPDT SLIDE 4 AMP
	0515-00107-0000	BRKT: CREDIT: TEST-SWITCH: VOLUME
	0017-00032-0051	BUTTON: SWITCH, RED
	105E-00001-0017	POT.: 0-1K CBN 1/2W
8	AE36-00008-0000	HIGH VOLTAGE CABLE ASSY.
9	AE36-00002-0000	VIDEO CABLE ASSY.
10	AE36-00003-0000	AUDIO CABLE ASSY.
11	A945-00059-0200	POWER CHASSIS: 130VA - SWITCHING W/O SWITCH
	AE68-00500-0000	CABINET ASSY. (INCLUDES ITEMS 12 & 13)

POWER-DRIVE U.R. - 3 PLAYER - REAR ACCESS PARTS LIST (CONT'D.)

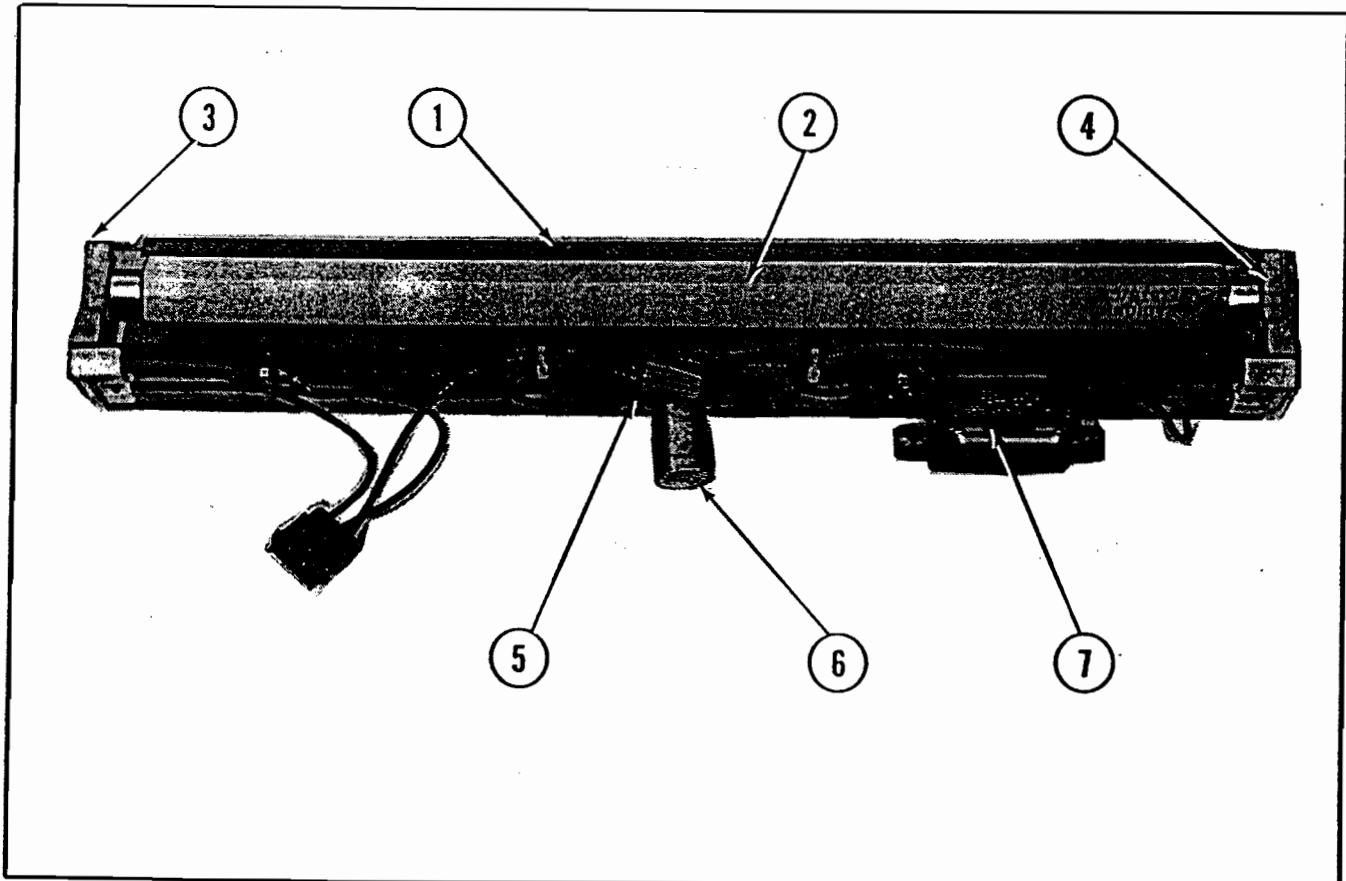
ORDER BY PART NUMBER ONLY

ITEM	PART NO.	DESCRIPTION
12	0E68-00500-0000	CABINET
13	A961-00007-0000	CASTER-WHEEL ASSY. (2 REQ'D.)
14	B084-91877-AE68	LAMP CONTROL P.C. BOARD ASSY.
		<b>ADDITIONAL PARTS LIST</b>
	0E68-00300-0000	CATALOG: POWER DRIVE U.R. - 3 PLAYER
	M051-00E68-A007	TAG: OPTION SWITCH SETTINGS
	AE68-00009-0000	REAR DOOR ASSY. (INCLUDES FOLLOWING 5 ITEMS)
	0E68-00502-0000	REAR DOOR (WOOD)
	0017-00005-0050	DOOR LOCK W/2 INDIVIDUAL KEYS
	0017-00005-0209	LOCK PLATE
	0017-00009-0490	VENT GRILLE - 5-5/8 SQ. IN. (4 REQ'D.)
	0639-00116-00XF	CAM: OFFSET 30 DEGREES

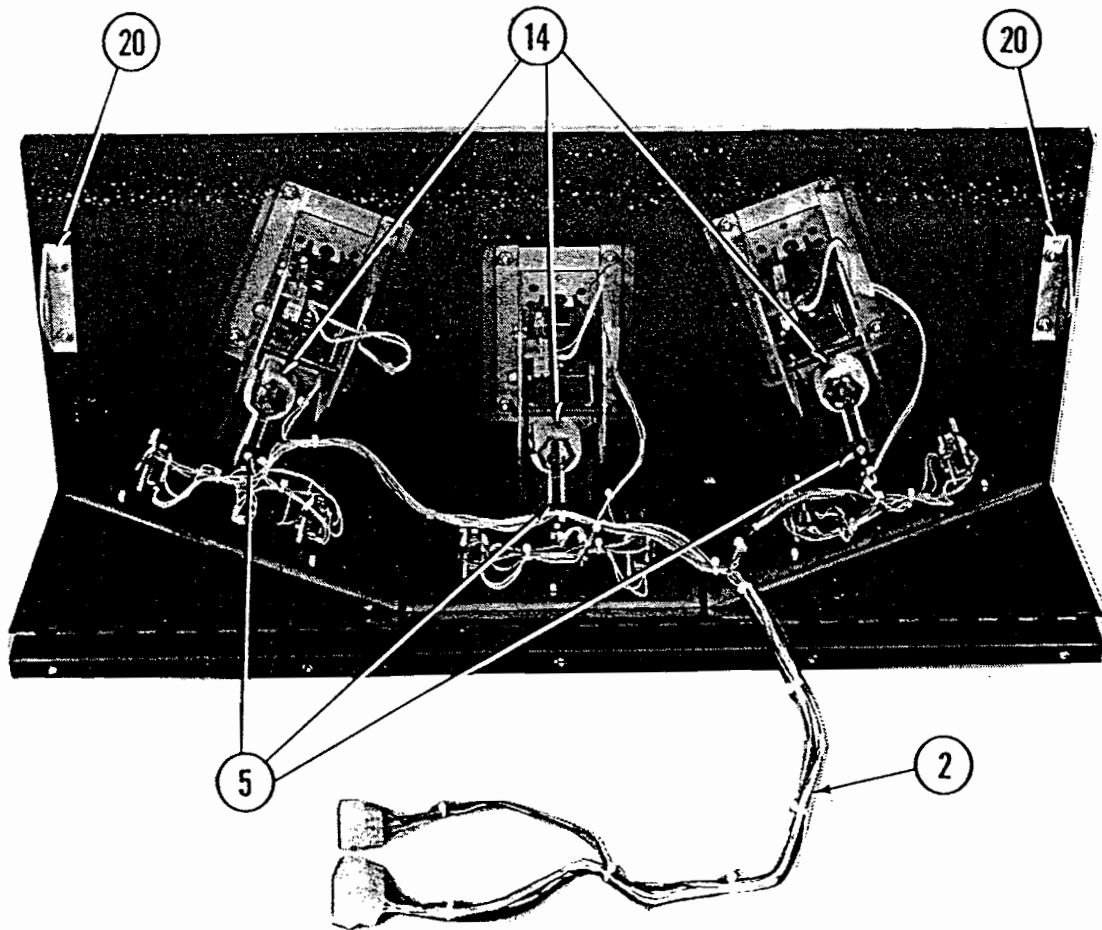
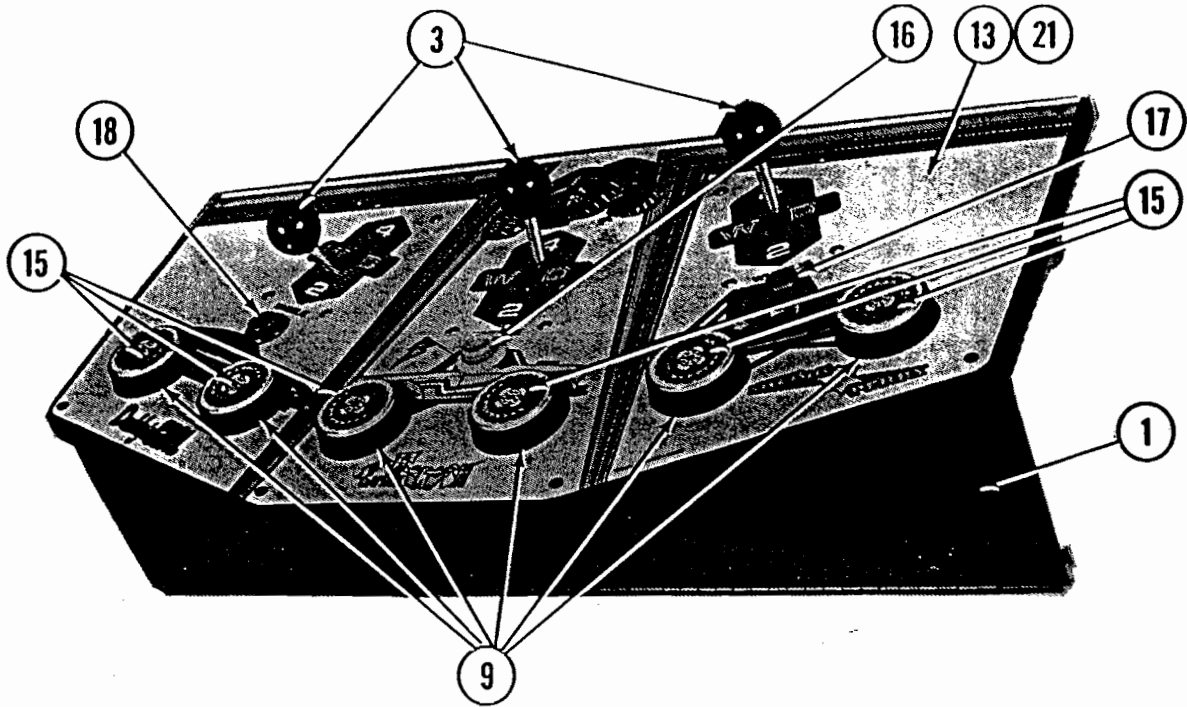
HEADER FLUORESCENT LIGHT ASSY.-PARTS LIST  
 PART NO. A595-00011-0000

ORDER BY PART NUMBER ONLY

ITEM	PART NO.	DESCRIPTION
1	0595-00105-0000	FLUORESCENT BRKT.
2	0017-00003-0043	18" COOL WHITE FLUORESCENT LAMP
3	0017-00003-0445	LAMP LOCKS (2 REQ'D.)
4	0017-00031-0036	FLUORESCENT SOCKET (2 REQ'D.)
5	0017-00003-0412	FLUORESCENT STARTER HOLDER W/LEADS
	0017-00101-0347	#6-32 X 1/2 PHIL. RND. HD. M.S. (4 REQ'D.)
6	0017-00003-0019	FLUORESCENT STARTER
7	0017-00003-0026	BALLAST
	0017-00101-0598	#8-32 X 5/16 SLT. HEX HD. SCR. (4 REQ'D.)



CONTROL SHELF ASSEMBLY  
PART NO. AE68-00004-0000





**CONTROL SHELF ASSEMBLY - PARTS LIST**  
**PART NO. AE68-00004-0000**

ORDER BY PART NUMBER ONLY

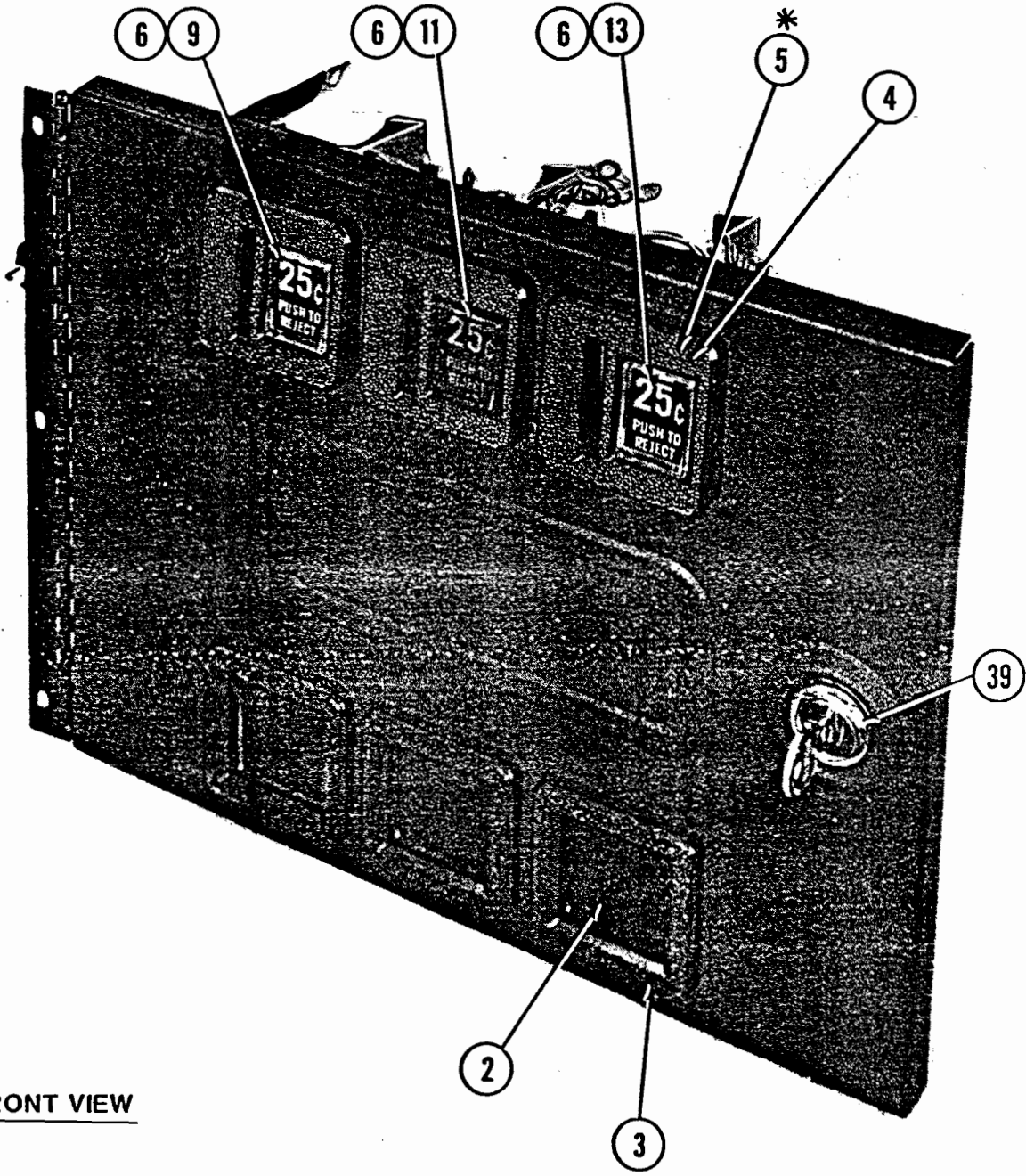
ITEM	PART NO.	DESCRIPTION
1	AE36-00010-00XF	CONTROL - APRON WELD ASSY.
2	AE68-00005-0000	CONTROL SHELF CABLE ASSY.
	AE68-00014-0000	CONTROL PLATE ASSY. (INCLUDES ITEMS 3 THRU 19)
3	AB96-00012-0000	BALL-KNOB & HANDLE ASSY. (3 REQ'D.)
	OB96-00703-00XF	HANDLE (3 REQ'D.)
	OB96-00901-0000	BALL-KNOB: BLACK/ROUND (3 REQ'D.)
	AB96-00016-0000	2-WAY SPEED SHIFT (3 REQ'D.) (INCLUDES ITEMS 4 THRU 10)
4	AB96-00010-0000	YOKE MTG. & PLATE ASSY. (3 REQ'D.)
5	AB96-00013-0000	BRKT. & SWITCH ASSY. (3 REQ'D.)
	AB96-00014-0000	SWITCH ASSY. (3 REQ'D.)
	OB96-00108-0000	BRKT.: SWITCH (3 REQ'.D)
	0017-00101-0528	5-40 X 12 PHILLIPS RND MACHINE SCREW (6 REQ'D.)
6	AB96-00018-0000	YOKE ASSY. & BEARINGS (3 REQ'D.)
7	OB96-00704-00XF	PIVOT: SPRING (3 REQ'D.)
8	0010-00227-0000	SPRING: TORSION (6 REQ'D.)
9	0017-00041-0616	BUMPER: RUBBER, NEOPRENE (6 REQ'D.)
10	0852-00701-00XF	PIN: PIVOT (3 REQ'D.)
11	OB96-00106-0000	SLIDER (3 REQ'D.)
12	OE68-00100-00XF	PLATE: CONTROL SHELF
13	OE68-00902-00XF	OVERLAY: CONTROL-SHELF

CONTROL SHELF ASSEMBLY - PARTS LIST, CONT'D.  
PART NO. AE68-00004-0000

ORDER BY PART NUMBER ONLY

ITEM	PART NO.	DESCRIPTION
14	0017-00032-0093	SWITCH: W/HOLDER, WHITE (3 REQ'D.)
15	0017-00032-0108	SWITCH: ILLUMINATED, PUSHBUTTON, WHITE-A (6 REQ'D.)
16	0017-00042-0301	BUTTON: PUSH, ROUND, YELLOW
17	0017-00042-0302	BUTTON: PUSH, ROUND, BLUE
18	0017-00042-0304	BUTTON: PUSH, ROUND, RED
19	0017-00100-0031	E-RING: .312 5133-31, STEEL (3 REQ'D.)
20	0E36-00106-0000	STRIKE: CONTROL-SHELF (2 REQ'D.)
21	0E68-00501-0000	CONTROL SHELF: WOOD

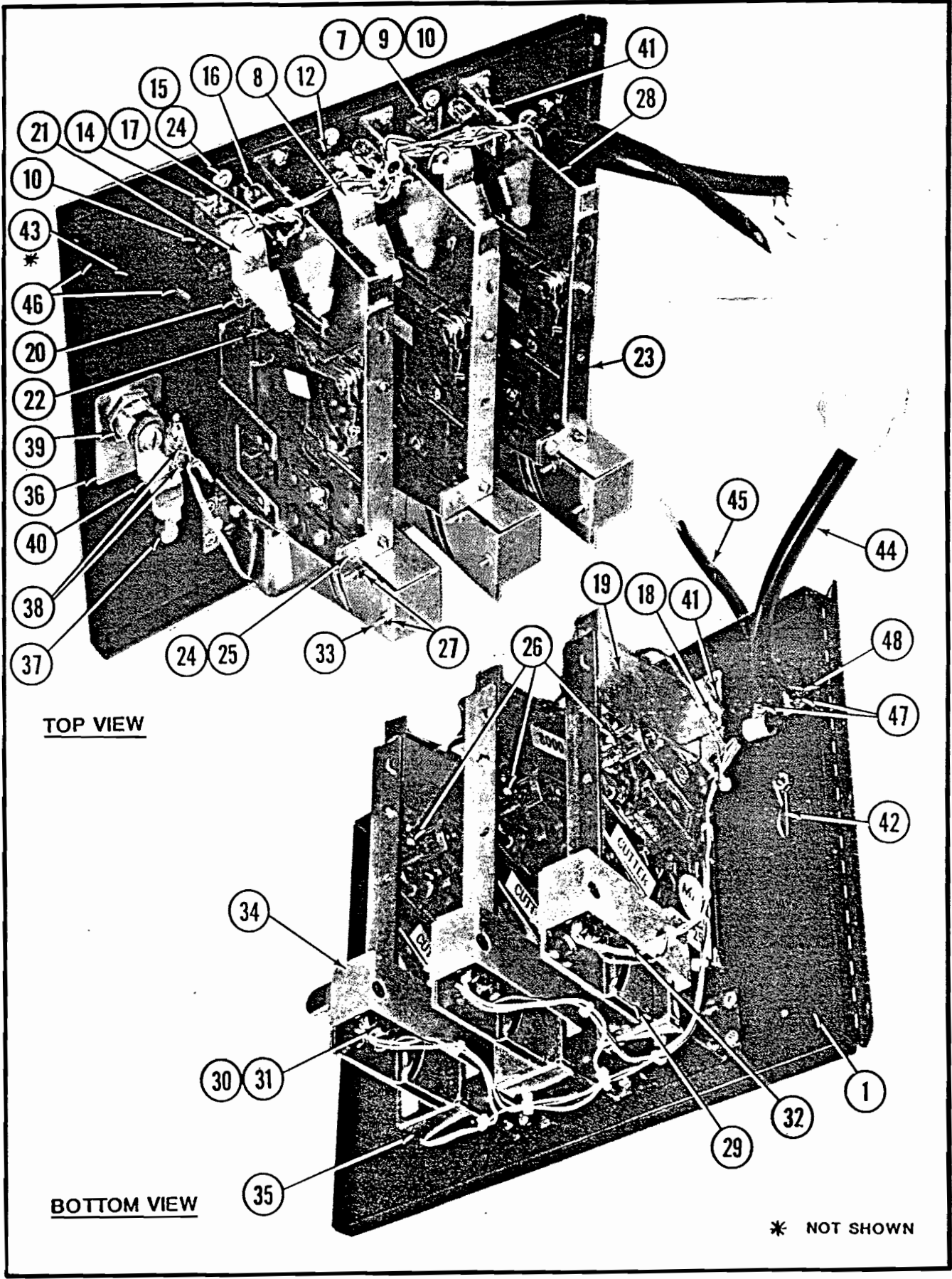
COIN DOOR W/CABLE: BLACK 3-CHUTE  
PART NO. A982-00014-0021



FRONT VIEW

\* NOT SHOWN

COIN DOOR W/CABLE: BLACK 3-CHUTE  
 PART NO. A982-00014-0021



**COIN DOOR W/CABLE: BLACK 3-CHUTE - PARTS LIST**  
**PART NO. A982-00014-0021**

**ORDER FROM COIN-CO BY PART NUMBER ONLY**

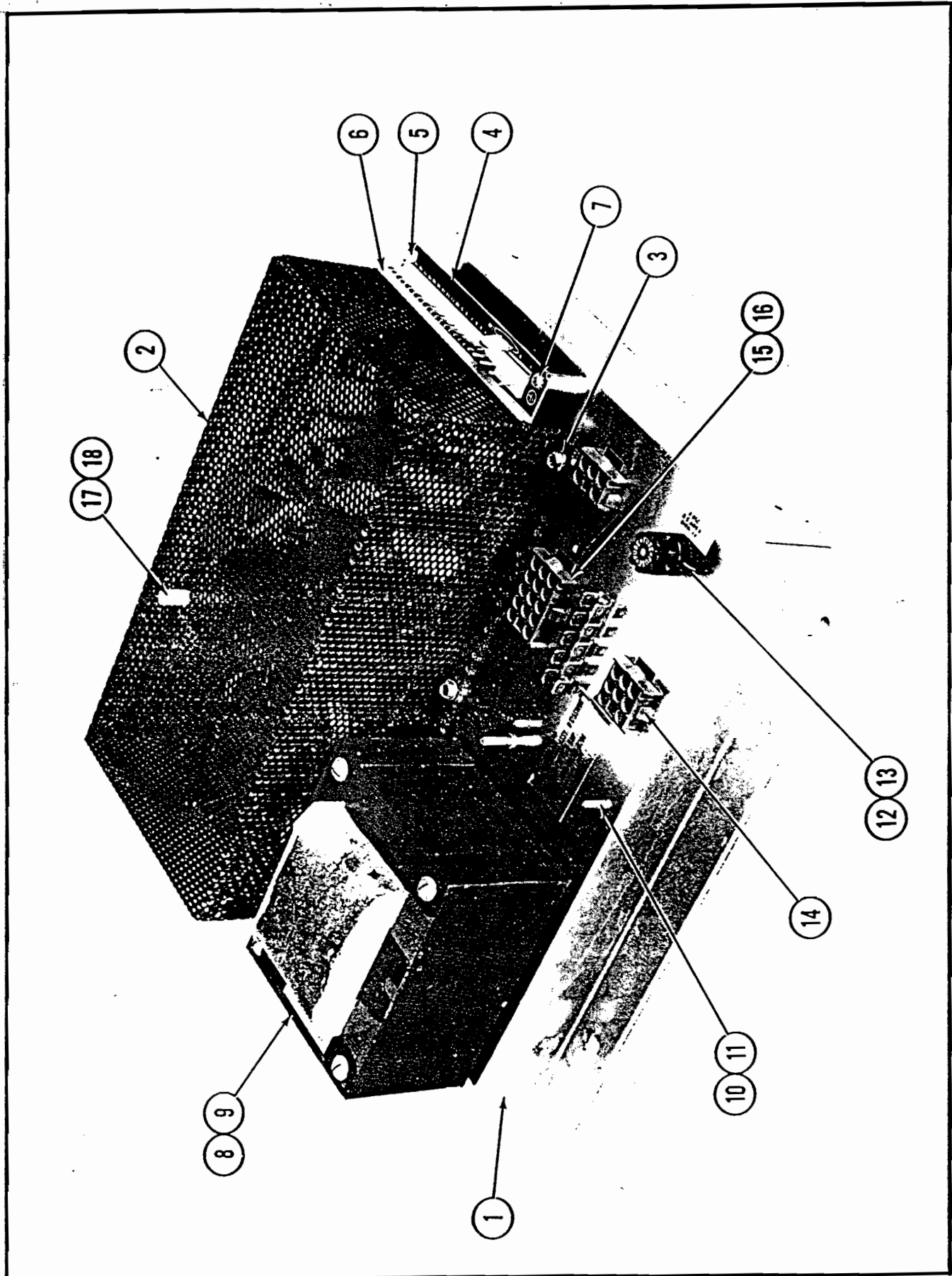
ITEM	PART NO.	DESCRIPTION
1	BS-X573-1	LARGE DOOR: 3 SLOT
2	BS-8000-12	COIN RETURN CUP DOOR (3 REQ'D.)
3	BS-8000-7	COIN RETURN CUP BEZEL (3 REQ'D.)
4	BS-8000-6	COIN ENTRY CASTING (3 REQ'D.)
5	8000-8	COIN INSERT PLATE (3 REQ'D.)
6	7800-6	DENOMINATION INSERT (3 REQ'D.)
7	7800-37	REJECT BUTTON RETURN SPRING (3 REQ'D.)
8	7300-105	"C" WASHER (3 REQ'D.)
9	7800-11-RED	REJECT BUTTON - RED
10	A780-12-RED	REJECT BUTTON HOUSING (RED)
11	7800-11-AMBER	REJECT BUTTON - AMBER
12	A780-12-AMBER	REJECT BUTTON HOUSING (AMBER)
13	7800-11-BLUE	REJECT BUTTON - BLUE
14	A780-12-BLUE	REJECT BUTTON HOUSING (BLUE)
15	8000-22	WASHER 3/8 O.D. (3 REQ'D.)
16	8000-24-12	12V WEDGE LAMP (3 REQ'D.)
17	8000-23	WEDGE LAMP SOCKET (3 REQ'D.)
18	8000-14	HOUSING RETAINING BRKT. (3 REQ'D.)
19	8000-9	COIN ENTRY CHUTE (3 REQ'D.)
20	3300-34	"C" WASHER (3 REQ'D.)
21	8000-21	REJECT LEVER ASSY. (3 REQ'D.)
22	7800-14	TORSION SPRING (3 REQ'D.)
23	7600-141-1	MECH. RETAINING BRKT. (3 REQ'D.)
24	216-6-4	6-32 X 1/4 PHILLIPS PAN HEAD SCREW (27 REQ'D.)
25	606-110-N	NYLON WASHER (3 REQ'D.)

**COIN DOOR W/CABLE: BLACK 3-CHUTE - PARTS LIST, CONT'D.  
PART NO. A982-00014-0021**

**ORDER FROM COIN-CO BY PART NUMBER ONLY**

ITEM	PART NO.	DESCRIPTION
26	0017-00005-0003	COIN ACCEPTOR W/STRING CUTTER (3 REQ'D.) OR
26	0017-00005-0214	COIN ACCEPTOR W/STRING CUTTER
27	404-4	4-40 HEX NUT (6 REQ'D.)
28	8000-10	MECH. MTG. BRACKET "STAKED" (3 REQ'D.)
29	8000-18	SW. CHUTE (SMALL) (3 REQ'D.)
30	7300-134	SWITCH INSULATOR (3 REQ'D.)
31	7300-100-1	BLUE, SWITCH (3 REQ'D.)
32	8000-19	5¢ / 25¢ / SW. WIRE (3 REQ'D.)
33	101-4-16	4-4 X 1" ROUND HEAD MACHINE SCREW (6 REQ'D.)
34	8000-28	SWITCH COVER (3 REQ'D.)
35	8000-13	COIN RETURN CUP (3 REQ'D.)
36	8800-9-1-R	SLAM SWITCH BRACKET
37	7800-42	SLAM SWITCH
38	100-4-6	4-36 X 3/8 ROUND HEAD MACHINE SCREW (3 REQ'D.)
39	8800-24	DBL. LTD. LOCK & KEY W/NUTS
40	X615	LOCKING CAM
41	7800-7	KEY HOOK
42 *	0017-00007-0019	KEY HOOK
43 *	A090-00089-0000	COIN METER ASSY. W/DIODE
44 *	A982-00015-0011	COIN DOOR CABLE ASSY.
45 *	0017-00009-0609	GROUND STRAP: L = 7" W/BLACK COVER
46 *	0017-00103-0061	NUT: 8-32 HEX W/SEMS ST. (2 REQ'D.)
47 *	0017-00103-0084	NUT: 6-32 HEX W/SEMS ST. (2 REQ'D.)
48 *	0017-00104-0019	WASHER: 6 145 - .375 - 032 FLAT ST.
*		NOT PART OF ABOVE ASSEMBLY & MUST BE
		ORDERED SEPARATELY, THROUGH BALLY MIDWAY MFG. CO.

POWER CHASSIS: 130VA (SWITCHING)  
PART NO. A945-00059-0200



**POWER CHASSIS: 130VA (SWITCHING) PARTS LIST  
PART NO. A945-00059-0200**

ORDER BY PART NUMBER ONLY

ITEM	PART NO.	DESCRIPTION
1	A945-00057-01XF	CHASSIS SUB-ASSEMBLY
2	0945-00117-01XF	POWER SUPPLY COVER
3	0017-00101-0123	8 X 4 UNSLOT HEX HD. SCREW (8 REQ'D.)
4	0017-00003-0543	SWITCHING POWER SUPPLY - 125VA
5	0017-00042-0663	LOCKING P.C. BRD. SPACER (4 REQ'D)
6	0540-00138-2100	CABLE PROTECTOR - 5"
7	0017-00101-0134	6-32 X 4 PHIL. ROUND HD. SCREW
8	MT00-00136-A000	ISOLATION TRANSFORMER W/O SHIELD ASSY.-115V., 50/60 HZ.
9	0017-00103-0061	8-32 HEX NUT W/SEMS (4 REQ'D) (NOT SHOWN)
10	0017-00003-0114	LINE FILTER - 5 AMP, 115VAC (NOT SHOWN)
11	0017-00101-0067	6 X 6 PHL. PAN HD. (2 REQ'D)
12	0017-00003-0433	FUSE HOLDER
13	0017-00003-0263	FUSE MDA, 3AG, 4 AMP, 115 VAC
14	A945-00030-0600	CONNECTOR & CABLE ASSEMBLY
15	0017-00021-0370	TERMINAL STRIP
16	0017-00101-0140	4-40 X 5 PHL. PAN HD. SCREW (2 REQ'D)
17	0017-00009-0580	CAPACITOR ALIGNMENT TOOL
18	0945-00912-0000	ADJ. TOOL HANDLE
		<b>ADDITIONAL PARTS LIST</b>
	115E-00001-0004	VARISTOR-METAL OXIDE (UNDER CHASSIS)
	0017-00021-1110	2 POSITION TERMINAL BARRIER STRIP (UNDER CHASSIS)
	0017-00101-0780	6 X 8 PHIL. PAN HD. SCREW (UNDER CHASSIS)
	0017-00103-0084	6-32 HEX NUT W/SEMS (UNDER CHASSIS)

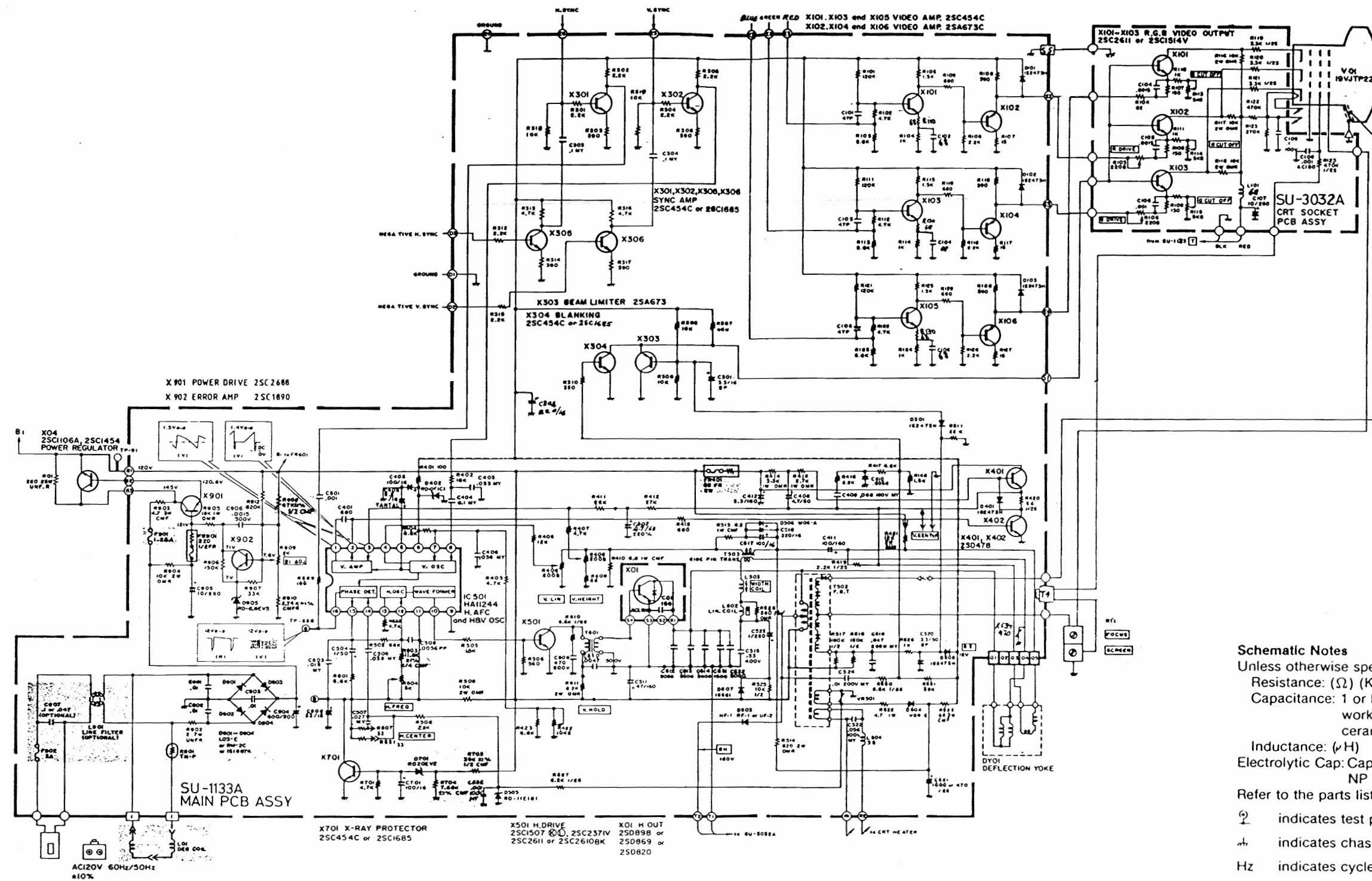


SECTION 3

COMPONENT LAYOUTS,  
SCHEMATICS & WIRING DIAGRAM







**Schematic Notes**  
 Unless otherwise specified  
 Resistance: ( $\Omega$ ) (K $\rightarrow$ K $\Omega$ , M $\rightarrow$ M $\Omega$ ), 1/4 (W) carbon resistor  
 Capacitance: 1 or higher  $\rightarrow$  (pF), less than 1  $\rightarrow$  ( $\mu$ F)  
 working voltage  $\rightarrow$  50 (V)  
 ceramic capacitor  
 Inductance: ( $\mu$ H)  
 Electrolytic Cap: Capacitance Value ( $\mu$ F)/working voltage (V).  
 NP  $\rightarrow$  non-polar (or bipolar) electrolytic cap.  
 Refer to the parts list for additional component information.  
 $\text{Q}$  indicates test point connection  
 $\text{ch}$  indicates chassis ground unless otherwise specified  
 Hz indicates cycles per second  
 For **safety** purposes (and continuing reliability)  
 $\Delta$  replace all components marked with safety symbol with identical type.  
 NOTE: FR  $\rightarrow$  fusible resistor

00-4147-04  
 G07-CB0

Parts identification on circuit boards:  
 e.g. SU1126A (R107 = R1107)  
 SU3030A (R113 = R3113)

# REPLACEMENT PARTS LIST—ELECTROHOME 19" MONITOR

Components identified by the  $\Delta$  symbol in the PARTS LIST and on the Schematic have special characteristics important to safety.

DO NOT degrade the safety of the set through improper servicing.

## Abbreviations for Resistors and Capacitors

Resistor	Capacitor
C R : Carbon Resistor	C Cap. : Ceramic Capacitor
Comp. R : Composition Resistor	M Cap. : Mylar Capacitor
OM R : Oxide Metal Film Resistor	E Cap. : Electrolytic Capacitor
V R : Variable Resistor	BP E Cap. : Bi-Polar (or Non-Polar) Electrolytic Capacitor
MF R : Metal Film Resistor	MM Cap. : Metalized Mylar Capacitor
CMF R : Coating Metal Film Resistor	PP Cap. : Polypropylene Capacitor
UNF R : Nonflammable Resistor	MPP Cap. : Metalized PP Capacitor
F R : Fusible Resistor	PS Cap. : Polystyrol Capacitor
	Tan. Cap. : Tantal Capacitor

NOTE: When ordering replacement parts please specify the part number as shown in this list including part name, and model number. Complete information will help expedite the order.

Use of substitute replacement parts which do not have the same safety characteristics as specified, may create shock, fire or other hazards. For maximum reliability and performance, all parts should be replaced by those having identical specifications.

## SERVICE REPLACEMENT PARTS LIST

Symbol	Description	Part Number
	Main P.C.B. Ass'y	SU-1133A
	CRT Socket P.C.B. Ass'y	SU-3032A
	Purity Shield Ass'y	07-220083-03

### Outside of the P.C.B. Ass'y

Symbol	Description	Part Number
	Picture Tube 19"	17-7198-03
$\Delta$	$\Delta$ Deflection Yoke	A29779-D=21-141-01
	PC Magnet	A75034-B=29-32-01
$\Delta$	$\Delta$ Flyback Transf.	A29951-B
$\Delta$	$\Delta$ HVR	A46600-A
R05	UNF Resistor 220 $\Omega$ , 25W K	QRF258K-221
C04	C Capacitor 150pF, AC1.5KV	QCZ0101-005
X01	Si. Transistor	2SD870
X02	Si. Transistor	2SC1106A
SC	Screw #8- $\frac{3}{4}$	31-610818-06
SC	Screw $\frac{1}{4}$ x $\frac{3}{4}$ Pix Tube Mtg. (4)	31-601418-12
WA	Pyramidal Lock Washer (4)	33-255-01
	Nut Retainer, Pix Tube Mtg. (4)	33-494-01
	Clip—P.C.B. Support	33-629-02
	Standoff	33-670-010R-02
	Wire Terminal (Gnd. Strap)	34-228-03
	Terminal Lug (Gnd.)	34-33-04
	Groundstrap Assy.	34-574-02
	Grounding Spring	35-212-03
	Wire Hook (Gnd. Strap)	35-3053-02
	Purity Shield Holddown Clamp	35-2348-01
	Support Brkt. RH	35-3890-01
	Support Brkt. LH	35-3890-02
	Chassis Base	38-449-02
	Yoke Wedge (3)	39-1233-01

## Purity Shield Ass'y. Parts List

Symbol	Description	Part Number
	Degaussing Coil	21-1007-30
D911,		
D912	Rectifier 1 Amp 600V (2)	28-22-27
	Pin Terminal (2)	34-708-01
	Pin Terminal Housing	34-709-01
	Purity Shield (2 pcs.)	35-3847-01
	Purity Shield (2 pcs.)	35-3847-02
C911	Capacitor 100nF 10% 400V	48-171544-62
R921	Resistor, Wirewound 33 $\Omega$ , 4W	42-113301-03
	Fire Retardant Term. Strip 4 Lug	34-492-09

## CRT Socket P.C.B. Ass'y (SU-3032A) Parts List

Resistors	Capacitors	
Symbol	Description	Part Number
R3105	V R 200	QVZ3234-022
R3106	V R 200	QVZ3234-022
R3113	V R 5K	QVZ3234-053
R3114	V R 5K	QVZ3234-053
R3115	V R 5K	QVZ3234-053
R3116	OM R 10K $\Omega$ 2W J	QRG029J-103
R3117	OM R 10K $\Omega$ 2W J	QRG029J-103
R3118	OM R 10K $\Omega$ 2W J	QRG029J-103
R3119	Comp. R 3.3K $\Omega$ $\frac{1}{2}$ W K	QRZ0039-332
R3120	Comp. R 3.3K $\Omega$ $\frac{1}{2}$ W K	QRZ0039-332
R3121	Comp. R 3.3K $\Omega$ $\frac{1}{2}$ W K	QRZ0039-332
Capacitors	Description	Part Number
C3107	E Cap. 10uF 250V A	QEW53EA-106
C3108	C Cap. 1000pF DC1400V P	QCZ9001-102M

## CRT Socket P.C.B. Ass'y (SU-3032A) Parts List (Cont.)

Coils	Description	Part Number
L3101	Peaking Coil	QQL043K-101
Semi-conductors	Description	Part Number
X3101	Si. Transistor	2SC1514VC
X3102	Si. Transistor	2SC1514VC
X3103	Si. Transistor	2SC1514VC
Miscellaneous	Description	Part Number
$\Delta$	$\Delta$ CRT Socket	A76068

## Main PCB Ass'y (SU-1133A) Parts List

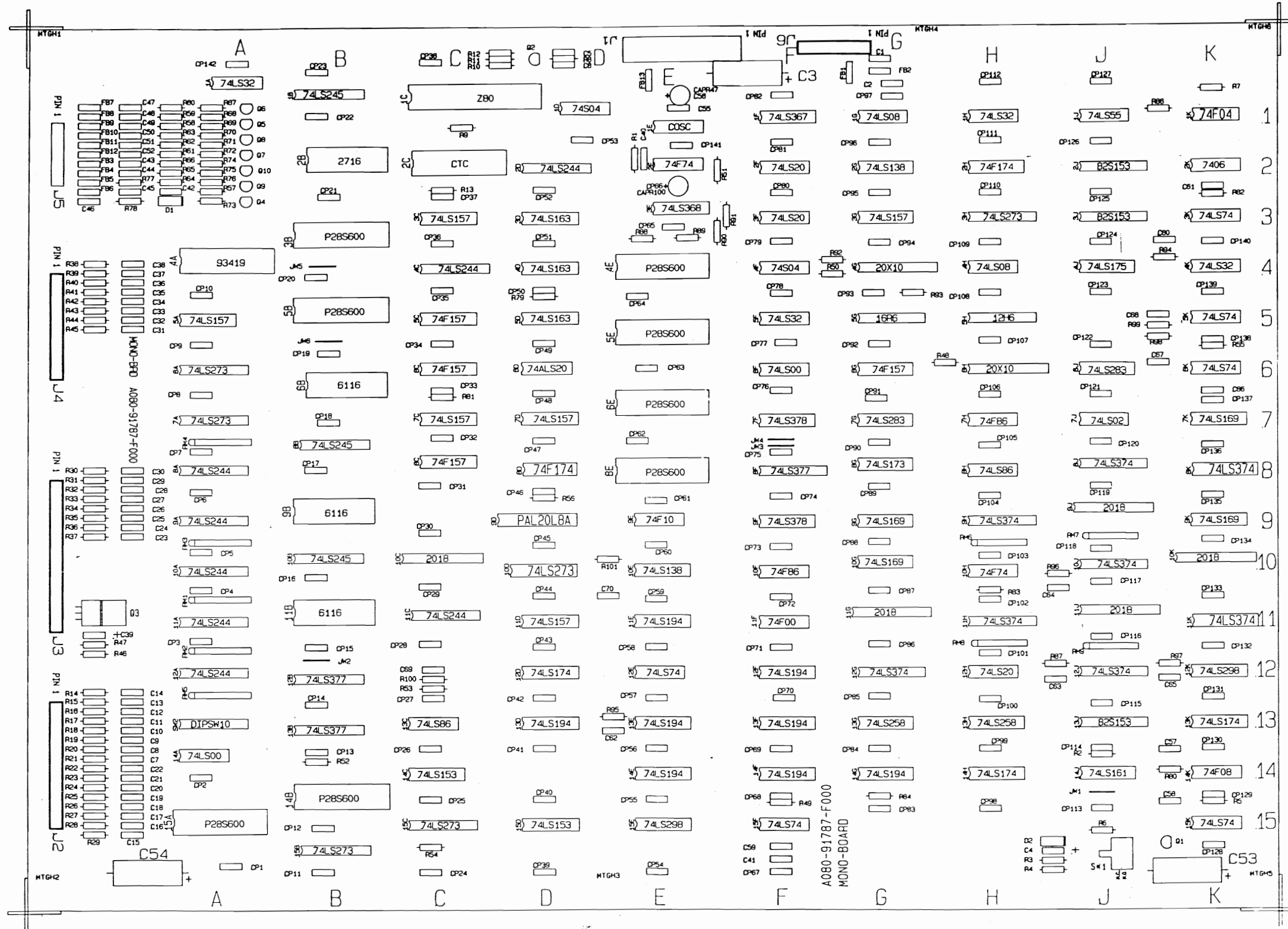
Resistors	Description	Part Number
R1406	V R 200 $\Omega$	QVZ3230-002
R1408	V R 200 $\Omega$	QVZ3230-002
R1410	CMF R 6.8 $\Omega$ 1W J	QRX019J-6R8
R1414	OM R 3.3K $\Omega$ 1W J	QRG019J-332
R1415	OM R 2.7K $\Omega$ 1W J	QRG019J-272
R1421	OM R 12K $\Omega$ 2W J	QRG026J-123Z
R1422	V R 10K $\Omega$	QVZ3230-014
$\Delta$ FR1401	$\Delta$ F R 68 $\Omega$ 2W K	QRH024K-680M
$\Delta$ R1503	$\Delta$ CMF R 11.8K $\Omega$ $\frac{1}{2}$ W+1%	QRV142F-1182
R1504	V R 5K $\Omega$	QVZ3230-053
R1509	OM R 10K $\Omega$ 2W J	QRG026J-103Z
R1512	OM R 8.2K $\Omega$ 2W J	QRG026J-822Z
R1514	OM R 820 $\Omega$ 2W J	QRG026J-821Z
R1515	CMF R 8.2 $\Omega$ 1W J	QRX019J-8R2
R1522	CMF R 4.7 $\Omega$ 1W J	QRX019J-4R7
R1523	OM R 68 $\Omega$ 2W J	QRG026J-680Z
R1528	OM R 390 $\Omega$ 1W J	QRG019J-391
R1534	ZN R	ERZ-C05ZK471
VR1501	ZN R	ERZ-C05ZK271
$\Delta$ R1703	$\Delta$ CMF R 39 $\Omega$ $\frac{1}{2}$ W+1%	QRV122F-3902
$\Delta$ R1704	$\Delta$ CMF R 7.68K $\Omega$ $\frac{1}{2}$ W+1%	QRV142F-7681
$\Delta$ R1901	$\Delta$ Posistor	A75414
R1902	UNF R 2 $\Omega$ 7W K	QRF076K-2R0
R1903	CMF R 4.7 $\Omega$ 3W J	QRX039J-4R7
R1904	OM R 10K $\Omega$ 2W J	QRG026J-103Z
R1905	OM R 18K $\Omega$ 1W J	QRG019J-183
$\Delta$ Q1908	$\Delta$ CMF R 47 $\Omega$ $\frac{1}{2}$ W+1%	QRV122F-470Z
$\Delta$ R1909	V R 2K $\Omega$	QVP5A0B-023E
R1910	$\Delta$ CMF R 2.74K $\Omega$ $\frac{1}{2}$ W+1%	QRV142F-274I
$\Delta$ FR1901	$\Delta$ F R 220 $\Omega$ $\frac{1}{2}$ W K	QRH124K-221M

## Capacitors

Symbol	Description	Part Number
C1301	BPE Cap. 3.3uF 50V A	QEN61HA-335Z
C1402	Tan Cap. 2.2uF 16V K	QEE51CK-225B
C1407	E Cap. 4.7uF 6.3V A	QEW51JA-475
C1411	E Cap. 100uF 160V A	QEW52CA-107
C1412	E Cap. 3.3uF 160V A	QEW52CA-335
C1508	PP Cap. 5600uF 50V J	QFP31HJ-562
$\Delta$ C1512	$\Delta$ PP Cap. 2000pF DC1500V J	QFZ0082-202
$\Delta$ C1513	$\Delta$ PP Cap. 2000pF DC1500V J	QFZ0082-202
$\Delta$ C1514	$\Delta$ PP Cap. 2000pF DC1500V J	QFZ0082-202
C1515	PP Cap. 0.53uF DC1200V J	QFZ0067-534
C1520	BPE Cap. 3.3uF 50V A	QEN61HA-335Z
C1523	E Cap. 1uF 160V A	QEW62CA-105Z
C1524	M Cap. 0.1uF 200V K	QFM720K-104M
$\Delta$ C1531	$\Delta$ PP Cap. 2000pF DC1500V J	QFZ0082-202
$\Delta$ C1532	$\Delta$ PP Cap. 1500pF DC1500V J	QFZ0082-152
C1904	E Cap.	QEY0034-001
C1905	E Cap. 10uF 250V A	QEW52EA-106

## Main PCB Ass'y (SU-1133A) Parts List (Cont.)

Coils	Description	Part Number
L1502	Linary Coil	A39835
L1503	Width Coil	C30380-A
L1504	Heater Choke	C30445-A
Transformers	Description	Part Number
T1501	Hor. Drive Transf.	A46022-BM
T1503	Side Pin Transf.	C39050-A
Semi-conductors	Description	Part Number
IC1501	IC	HA11244
X1101	Si. Transistor	2SC1685(R)
X1102	Si. Transistor	2SA673(C)
X1103	Si. Transistor	2SC1685(R)
X1104	Si. Transistor	2SA673(C)
X1105	Si. Transistor	2SC1685(R)
X1106	Si. Transistor	2SA673(C)
X1301	Si. Transistor	2SC1685(R)
X1302	Si. Transistor	2SC1685(R)
X1303	Si. Transistor	2SA673(C)
X1304	Si. Transistor	2SC1685(R)
X1305	Si. Transistor	2SC1685(R)
X1401	Si. Transistor	2SD478
X1402	Si. Transistor	2SD478
X1501	Si. Transistor	2SC2610BK
X1901	Si. Transistor	2SC2688 (K.L.M.)
X1902	Si. Transistor	2SC1890A (E.F.)
D1101	Si. Diode	W06A
D1102	Si. Diode	W06A
D1103	Si. Diode	W06A
D1301	Si. Diode	1SZ473H
D1401	Si. Diode	1SZ473H
D1402	Zener Diode	RD10F(C)
D1503	Si. Diode	HF-1
D1504	Si. Diode	V09E
D1505	Zener Diode	RD11E(B)
D1506	Si. Diode	W06A
D1507	Si. Diode	1SS81
D1508	Si. Diode	1SZ473H
$\Delta$ D1701	$\Delta$ Zener Diode	RD20EV2
$\Delta$ D1901	$\Delta$ Si. Diode	1S1887A
$\Delta$ D1902	$\Delta$ Si. Diode	1S1887A
$\Delta$ D1903	$\Delta$ Si. Diode	1S1887A
$\Delta$ D1904	$\Delta$ Si. Diode	1S1887A
$\Delta$ D1905	$\Delta$ Zener Diode	RD6.8EV3
Miscellaneous	Description	Part Number
$\Delta$ F1901	$\Delta$ Fuse 1.25A	QMF53U1-1R25S
$\Delta$ F1902	$\Delta$ UL Fuse 3A	QMF66U1-3R0S



PROJECT ENG.		USED ON		BALLY/MIDWAY MFG. CO.	
DO NOT SCALE DWG.		NO. RECD		FRANKLIN PARK ILL.	
DRN. JS		HEAT TREAT		PART NO.	
DWD. C.M.M.		SCALE		M051-00114-F128	
DATE 07/25/86		FINISH		NON-SCROLL MONO BD.	
				A084-91787-F000	

REVISED FOR PRODUCTION BY J.C.M.

CROSS REFERENCE LIST: Page 1 of 9

DESCRIPTION	QTY	DESIGNATION NO.	PART NO.
18 PF AX. CER.	4	C60,C62,C67,C68	0A15-00800-0011
33 PF AX. CER.	2	C5,C65	0986-00800-0300
47 PF AX. CER.	6	C47-C52	0986-00800-2800
68 PF AX. CER.	3	C57,C63,C64	0360-00800-0028
270 PF AX. CER.	2	C69,C70	0A15-00800-0013
390 PF AX. CER.	5	C1,C2,C41,C42,C55	0986-00800-3000
820 PF AX. CER.	4	C43-C46	0945-00816-0400
.01 UF AX. CER.	146	CP1-CP65,C67-C142 C40,C58,C59,C61,C66	0986-00800-2000
.1 UF AX. CER.	33	C6-C38	0986-00800-1100
10 UF 25V AX. TANT.	2	C4,C39	0986-00800-0700
47 UF 25V RD TANT	1	C56	0A59-00800-0001
100 UF 16V RD TANT	1	CP66	0945-00811-0500
470 UF 16V AX. ELEC.	3	C3,C53,C54	0986-00800-2700
10 OHM 1/4W 5% CRBN.	6	R58,R59,R61,R62,R64, R65	100E-00005-0011
22 OHM 1/4W 5% CRBN.	1	R48	100E-00005-0016
47 OHM 1/4W 5% CRBN.	4	R88-R90,R93	100E-00005-0025
68 OHM 1/4W 5% CRBN.	4	R50,R51,R91,R92	100E-00005-0029
82 OHM 1/4W 5% CRBN.	7	R9,R80,R87,R96,R97, R100,R101	100E-00005-0031
220 OHM 1/4W 5% CRBN.	32	R14-R45	100E-00005-0041
470 OHM 1/4W 5% CRBN.	3	R60,R63,R66	100E-00005-0051
510 OHM 1/4W 5% CRBN.	3	R69,R72,R76	100E-00005-0053
560 OHM 1/4W 5% CRBN.	3	R57,R77,R78	100E-00005-0054
680 OHM 1/4W 5% CRBN.	4	R94,R95,R98,R99	100E-00005-0056
1K OHM 1/4W 5% CRBN.	5	R68,R71,R73,R75,R86	100E-00005-0061
2K OHM 1/4W 5% CRBN.	3	R67,R70,R74	100E-00005-0068
2.7K OHM 1/4W 5% CRBN.	2	R46,R47	100E-00005-0071
4.7K OHM 1/4W 5% CRBN.	20	R1,R2,R5-R7,R10-R13, R49,R52-R56,R79, R81-84	100E-00005-0079
10K OHM 1/4W 5% CRBN.	2	R3,R4	100E-00005-0088
82K OHM 1/4W 5% CRBN.	1	R8	100E-00005-0112
1K OHM 9 PIN SIP	4	RM6-RM9	102E-00004-0011
2.7K OHM 10 PIN SIP	4	RM1-RM4	102E-00004-0020
4.7K OHM 10 PIN SIP	1	RM5	102E-00004-0026
1N4148 DIODE	2	D1,D2	103E-00002-0005
2N4123 NPN XSTR.	2	Q1,Q4	104E-00001-0007
2N4403 PNP XSTR.	1	Q2	104E-00002-0006
MPSA70 PNP XSTR	6	Q5-Q10	104E-00002-0012
TIP110 NPN XSTR.	1	Q3	104E-00009-0001
20 MHZ COOSC.	1	IC 1E	0304-00804-0007
7406	1	IC 2K	0986-00803-7600
74ALS20	1	IC 6D	0A59-00803-0015

CROSS REFERENCE LIST: Page 2 of 9

DESCRIPTION	QTY	DESIGNATION NO.	PART NO.
74F00	1	IC 11F	0A59-00803-0001
74F04	1	1K	0A59-00803-0034
74F08	1	IC 14K	0A59-00803-0030
74F10	1	IC 9E	0A59-00803-0002
74F74	2	IC 2E,10H	0A59-00803-0003
74F86	2	IC 10F,7H	0A59-00803-0031
74F157	4	IC 5C,6C,8C,6G	0A59-00803-0004
74F174	2	IC 8D, 2H	0A59-00803-0005
74LS00	2	IC 14A,6F	0304-00803-0010
74LS02	1	IC 7J	0986-00803-7400
74LS08	2	IC 1G,4H	0986-00803-7300
74LS20	3	IC 2F,3F,12H	0986-00803-1004
74LS32	4	IC 5F,1H,4K,1A	0986-00803-6100
74LS55	1	IC 1J	0A59-00803-0026
74LS74	6	IC 12E,15F,3K,5K,6K, 15K	0986-00803-1005
74LS86	2	IC 13C,8H	0986-00803-9900
74LS138	2	IC 10E,2G	0986-00803-6500
74LS153	2	IC 14C,15D	0A59-00803-0006
74LS157	6	IC 5A,3C,7C,7D,11D,3G	0304-00803-0021
74LS161	1	IC 14J	0986-00803-1003
74LS163	3	IC 3D-5D	0A59-00803-0008
74LS169	4	IC 9G,10G,7K,9K	0304-00803-0023
74LS173	1	IC 8G	0A59-00803-0009
74LS174	3	IC 12D,14H,13K	0304-00803-0024
74LS175	1	IC 4J	0304-00803-0025
74LS194	8	IC 13D,11E,13E,14E, 12F-14F,14G	0304-00803-0026
74LS244	8	IC 8A-12A,4C,11C,2D	0986-00803-4800
74LS245	3	IC 1B,8B,10B	0986-00803-6400
74LS258	2	IC 13G,13H	0304-00803-0028
74LS273	6	IC 6A,7A,15B,15C,10D, 3H	0986-00803-4700
74LS283	2	IC 7G,6J	0304-00803-0030
74LS298	2	IC 15E,12K	0A59-00803-0010
74LS367	1	IC 1F	0986-00803-7000
74LS368	1	IC 3E	0A59-00803-0011
74LS374	8	IC 12G,9H,11H,8J,10J, 12J,8K,11K	0986-00803-4600
74LS377	3	IC 8F,12B,13B	0A59-00803-0012
74LS378	2	IC 7F,9F	0A59-00803-0013
74S04	2	IC 1D,4F	0986-00803-6600
COLARB RI PAL	1	IC 9D	0E61-00803-0001
MMCO1A HAL	1	IC 4G	0986-00803-8900
MMCO2B HAL	1	IC 6H	0986-00803-9000
MMCO3B HAL	1	IC 5G	0986-00803-9100
MMCO6 HAL	1	IC 5H	0986-00803-9200
PACNS REV 1.0 PLA	1	IC 2J	A59A-26AAJ-BXHD

CROSS REFERENCE LIST: Page 3 of 9

DESCRIPTION	QTY	DESIGNATION NO.	PART NO.
PACOUT REV 1.0 PLA	1	IC 3J	A59A-26AAJ-AXHD
ROMCTRL REV 1.0 PLA	1	IC 13J	A59A-26AAJ-CXHD
2018 2Kx8 RAM 45NS	4	IC 11G,10K,9J,11J	0A59-00803-0028
2018 2Kx8 RAM 55NS	1	IC 10C	0A59-00803-0029
6116 2Kx8 RAM 120NS	1	IC 11B	0A59-00803-0027
6116 2Kx8 RAM 150NS	2	IC 6B,9B	0A59-00803-0014
93419 64x9 RAM	1	IC 4A	0986-00803-9600
280B	1	IC 1C	0304-00803-0041
280B CTC	1	IC 2C	0304-00803-0040
BG0 64K ROM/EPROM	1	IC 15A	SEE ROM/EPROM CHART
BG1 64K ROM/EPROM	1	IC 14B	SEE ROM/EPROM CHART
FG0 256K ROM/EPROM	1	IC 8E	SEE ROM/EPROM CHART
FG1 256K ROM/EPROM	1	IC 6E	SEE ROM/EPROM CHART
FG2 256K ROM/EPROM	1	IC 5E	SEE ROM/EPROM CHART
FG3 256K ROM/EPROM	1	IC 4E	SEE ROM/EPROM CHART
PROG0 256K ROM/EPROM	1	IC 3B	SEE ROM/EPROM CHART
PROG1 256K ROM/EPROM	1	IC 5B	SEE ROM/EPROM CHART
16 PIN IC SOCKET(.300)	1	ICS 3E	110E-00001-0003
20 PIN IC SOCKET(.300)	5	ICS 5G,5H,2J,3J,13J	110E-00001-0005
24 PIN IC SOCKET(.300)	8	ICS 10C,4G,9D,11G,6H, 9J,11J,10K	110E-00001-0009
24 PIN IC SOCKET(.600)	3	ICS 6B,9B,11B	110E-00001-0007
28 PIN IC SOCKET(.600)	10	ICS 4A,15A,3B,5B,14B, 2C,4E-6E,8E	110E-00001-0010
40 PIN IC SOCKET(.600)	1	ICS 1C	110E-00001-0011
AUTO INSERT PIN TIN .025 SQ	18	J2	0304-00804-0009
AUTO INSERT PIN TIN .025 SQ	22	J3	0304-00804-0009
AUTO INSERT PIN TIN .025 SQ	15	J4	0304-00804-0009
AUTO INSERT PIN TIN .025 SQ	8	J5	0304-00804-0009
AUTO INSERT PIN TIN .025 SQ	10	J6	0304-00804-0009
AUTO INSERT PIN TIN .025 SQ	11	J1	0304-00804-0010
FERRITE BEAD	13	FBI-FB13	0316-00804-0002
ZERO OHM RESISTOR (JUMPER)	6	JW1-JW6	117E-00001-0003



MONOBOARD  
A084-91787-F000  
M051-00114-F156

CROSS REFERENCE LIST: Page 4 of 9

DESCRIPTION	QTY	DESIGNATION NO.	PART NO.
SWITCH PC. MTG.	1	SW1	0986-00804-3100
10 POS. DIP SWITCH	1	SW2	113E-00001-0004
SNAP	1	MHQ3	0017-00007-0134
PC BOARD	1		A080-91787-F000

MONOBOARD  
A084-91787-F000  
M051-00114-F156

DESIGNATION LIST: Page 5 of 9

DESCRIPTION	DESIGNATION NO.
CP1-CP65	.01 UF AX. CER.
CP66	100 UF 16V RD. TANT
CP67-CP142	.01UF AX. CER.
C1,C2	390 PF AX. CER.
C3	470 UF 16V AX. ELEC.
C4	10 UF 25V AX. TANT.
C5	33 PF AX. CER.
C6-C38	.1 UF AX. CER.
C39	10 UF 25V AX. TANT.
C40	.01 UF AX. CER
C41,C42	390 PF AX. CER.
C43-C46	820 PF AX. CER.
C47-C5?	47 PF AX. CER.
C53,C54	470 UF 16V AX. ELEC.
C55	390 PF AX. CER.
C56	47 UF 25V RD. TANT.
C57	68 PF AX. CER.
C58,C59	.01 UF AX. CER.
C60	18 PF AX. CER.
C61	.01 UF AX. CER.
C62	18 PF AX. CER.
C63	68 PF AX. CER.
C64	68 PF AX. CER.
C65	33 PF AX. CER.
C66	.01 UF AX. CER.
C67	18 PF AX. CER.
C68	18 PF AX. CER.
C69	270 PF AX. CER
C70	270 PF AX. CER
R1,R2	4.7K OHM 1/4W 5% CRBN.
R3,R4	10K OHM 1/4W 5% CRBN.
R5-R7	4.7K OHM 1/4W 5% CRBN.
R8	82K OHM 1/4W 5% CRBN.
R9	82 OHM 1/4W 5% CRBN.
R10-R13	4.7K OHM 1/4W 5% CRBN.
R14-R45	220 OHM 1/4W 5% CRBN.
R46,R47	2.7K OHM 1/4W 5% CRBN.
R48	22 OHM 1/4W 5% CRBN.
R49,R52-R56	4.7K 1/4W 5% CRBN.
R50,R51	68 OHM 1/4W 5% CRBN.
R57	560 OHM 1/4W 5% CRBN.
R58,R59	10 OHM 1/4W 5% CRBN.
R60	470 OHM 1/4W 5% CRBN.
R61,R62	10 OHM 1/4W 5% CRBN.
R63	470 OHM 1/4W 5% CRBN.
R64,R65	10 OHM 1/4W 5% CRBN.
R66	470 OHM 1/4W 5% CRBN.
R67	2K OHM 1/4W 5% CRBN.
R68	1K OHM 1/4W 5% CRBN.
R69	510 OHM 1/4W 5% CRBN.
R70	2K OHM 1/4W 5% CRBN.

MONOBOARD  
A084-91787-F000  
M051-00114-F156

DESIGNATION LIST: Page 6 of 9

DESCRIPTION	DESIGNATION NO.
R71	1K OHM 1/4W 5% CRBN.
R72	510 OHM 1/4W 5% CRBN.
R73	1K OHM 1/4W 5% CRBN.
R74	2K OHM 1/4W 5% CRBN.
R75	1K OHM 1/4W 5% CRBN.
R76	510 OHM 1/4W 5% CRBN.
R77,R78	560 OHM 1/4W 5% CRBN.
R79	4.7K OHM 1/4W 5% CRBN.
R80	82 OHM 1/4W 5% CRBN.
R81-R84	4.7K OHM 1/4W 5% CRBN.
R86	1K OHM 1/4W 5% CRBN.
R87	82 OHM 1/4W 5% CRBN.
R88	47 OHM 1/4W 5% CRBN.
R89	47 OHM 1/4W 5% CRBN.
R90	47 OHM 1/4W 5% CRBN.
R91	68 OHM 1/4W 5% CRBN.
R92	68 OHM 1/4W 5% CRBN.
R93	47 OHM 1/4W 5% CRBN.
R94	680 OHM 1/4W 5% CRBN.
R95	680 OHM 1/4W 5% CRBN.
R96	82 OHM 1/4W 5% CRBN.
R97	82 OHM 1/4W 5% CRBN.
R98	680 OHM 1/4W 5% CRBN.
R99	680 OHM 1/4W 5% CRBN.
R100	82 OHM 1/4W 5% CRBN.
R101	82 OHM 1/4W 5% CRBN.
RM1-RM4	2.7K OHM 10 PIN SIP
RM5	4.7K OHM 10 PIN SIP
RM6-RM9	1K OHM 9 PIN SIP
D1,D2	1N4148 DIODE
Q1	2N4123 XSTR.
Q2	2N4403 XSTR.
Q3	TIP110 XSTR.
Q4	2N4123 XSTR.
Q5-Q10	MPSA70 XSTR.
IC 1A	74LS32
IC 4A	93419 64x9 RAM
IC 5A	74LS157
IC 6A,7A	74LS273
IC 8A-12A	74LS244
IC 14A	74LS00
IC 15A	BCD 64K ROM/EPROM
IC 1B	74LS245
IC 2B	NOT USED
IC 3B,5B	PROG0,PROG1 256K ROM/EPROM
IC 6B	6116 2Kx8 RAM 150 NS.
IC 8B	74LS245
IC 9B	6116 2Kx8 RAM 150 NS.
IC 10B	74LS245



MONOBOARD  
A084-91787-F000  
M051-00114-F156

DESIGNATION LIST: Page 8 of 9

DESCRIPTION	DESIGNATION NO.
IC 1G	74LS08
IC 2G	74LS138
IC 3G	74LS157
IC 4G	MMC01A HAL
IC 5G	MMC03B HAL
IC 6G	74F157
IC 7G	74LS283
IC 8G	74LS173
IC 9G,10G	74LS169
IC 11G	2018 2Kx8 RAM 45NS
IC 12G	74LS374
IC 13G	74LS258
IC 14G	74LS194
IC 1H	74LS32
IC 2H	74F174
IC 3H	74LS273
IC 4H	74LS08
IC 5H	MMC06 HAL
IC 6H	MMC02B HAL
IC 7H	74F86
IC 8H	74LS86
IC 9H	74LS374
IC 10H	74F74
IC 11H	74LS374
IC 12H	74LS20
IC 13H	74LS258
IC 14H	74LS174
IC 1J	74LS55
IC 2J	PACNS REV 1.0 PLA
IC 3J	PACOUT REV 1.0 PLA
IC 4J	74LS175
IC 6J	74LS283
IC 7J	74LS02
IC 8J	74LS374
IC 9J	2018 2Kx8 RAM 45NS
IC 10J	74LS374
IC 11J	2018 2Kx8 RAM 45NS
IC 12J	74LS374
IC 13J	ROMCTRL REV 1.0 PLA
IC 14J	74LS161
IC 1K	74F04
IC 2K	7406
IC 3K	74LS74
IC 4K	74LS32
IC 5K,6K	74LS74
IC 7K	74LS169
IC 8K	74LS374
IC 9K	74LS169
IC 10K	2018 2Kx8 RAM 45NS
IC 11K	74LS374

MONOBOARD  
A084-91787-F000  
M051-00114-F156

DESIGNATION LIST: Page 7 of 9

DESCRIPTION	DESIGNATION NO.
IC 11B	6116 2Kx8 RAM 120 NS.
IC 12B,13B	74LS377
IC 14B	BG1 64K ROM/EPROM
IC 15B	74LS273
IC 1C	Z80B CPU
IC 2C	Z80B CTC
IC 3C	74LS157
IC 4C	74LS244
IC 5C,6C	74F157
IC 7C	74LS157
IC 8C	74F157
IC 10C	2018 2Kx8 RAM 55NS
IC 11C	74LS244
IC 13C	74LS86
IC 14C	74LS153
IC 15C	74LS273
IC 1D	74S04
IC 2D	74LS244
IC 3D-5D	74LS163
IC 6D	74ALS20
IC 7D	74LS157
IC 8D	74F174
IC 9D	Colarb Rl Pal
IC 10D	74LS273
IC 11D	74LS157
IC 12D	74LS174
IC 13D	74LS194
IC 15D	74LS153
IC 1E	20 MHZ COSC.
IC 2E	74F74
IC 3E	74LS368
IC 4E-6E,8E	FG3,FG2,FG1,FG0 256K ROM/EPROM
IC 9E	74F10
IC 10E	74LS138
IC 11E	74LS194
IC 12E	74LS74
IC 13E,14E	74LS194
IC 15E	74LS298
IC 1F	74LS367
IC 2F,3F	74LS20
IC 4F	74S04
IC 5F	74LS32
IC 6F	74LS00
IC 7F	74LS378
IC 8F	74LS377
IC 9F	74LS378
IC 10F	74F86
IC 11F	74F00
IC 12F-14F	74LS194
IC 15F	74LS74

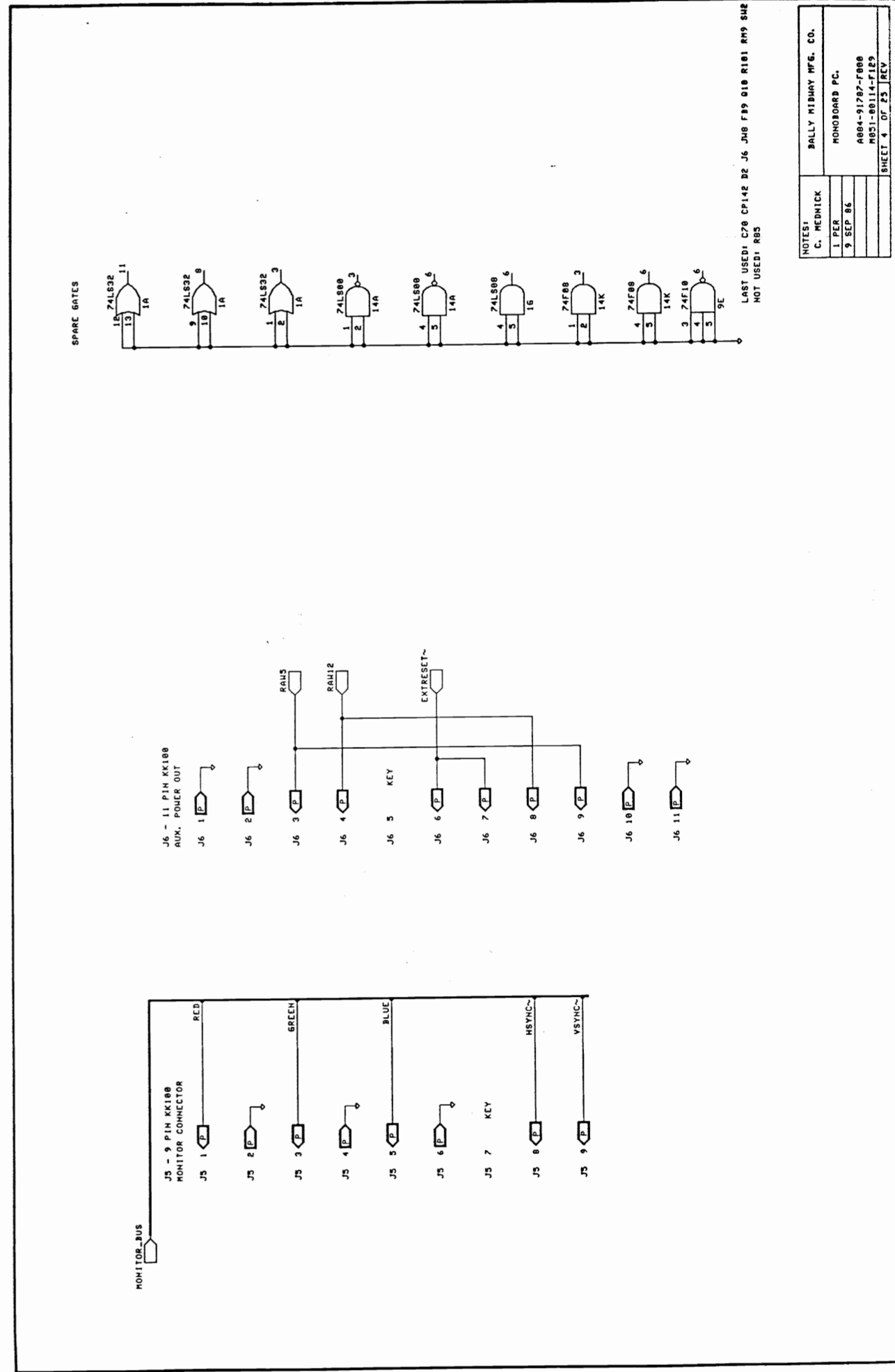
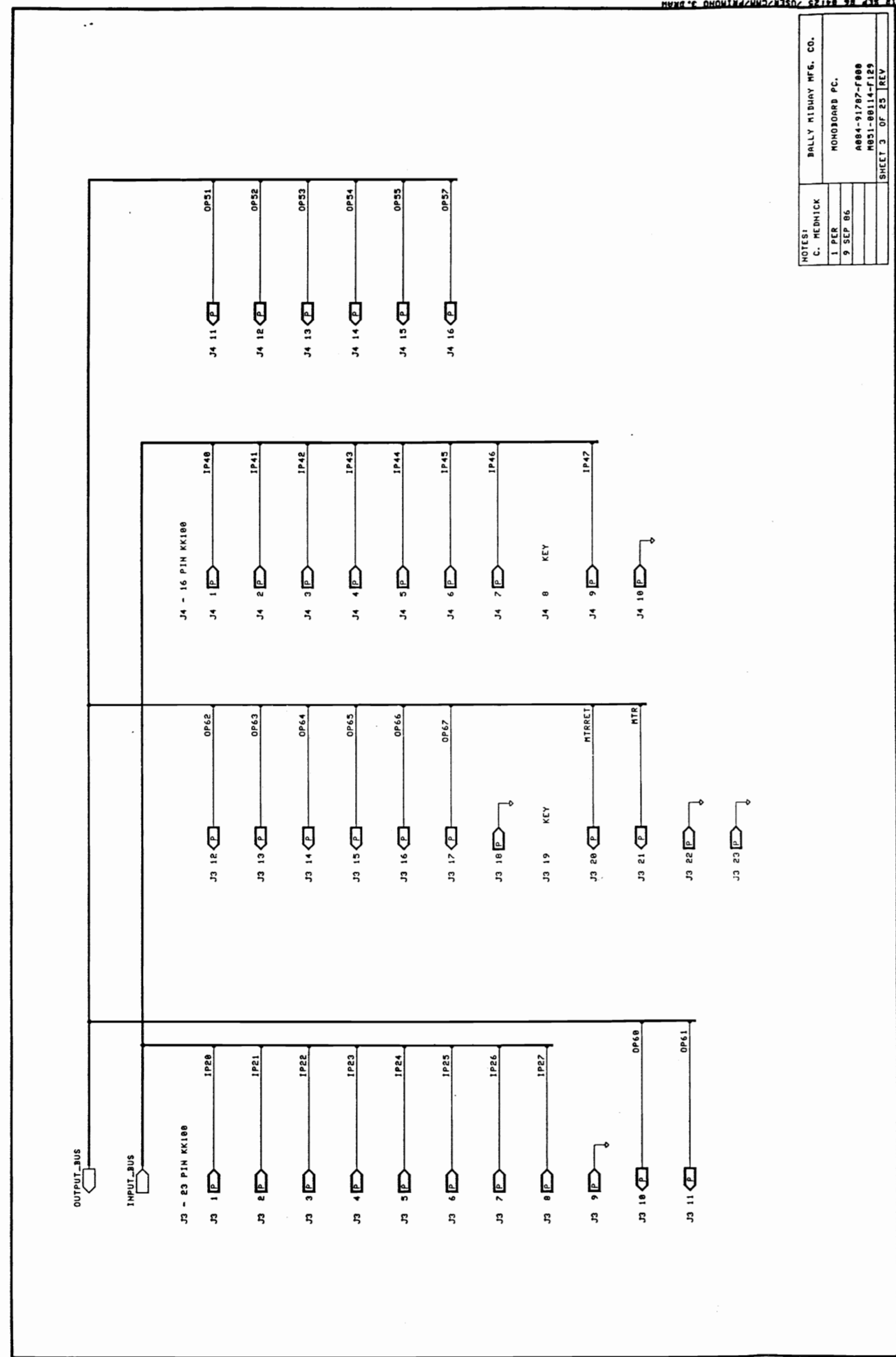
MONOBOARD  
A084-91787-F000  
M051-00114-F156

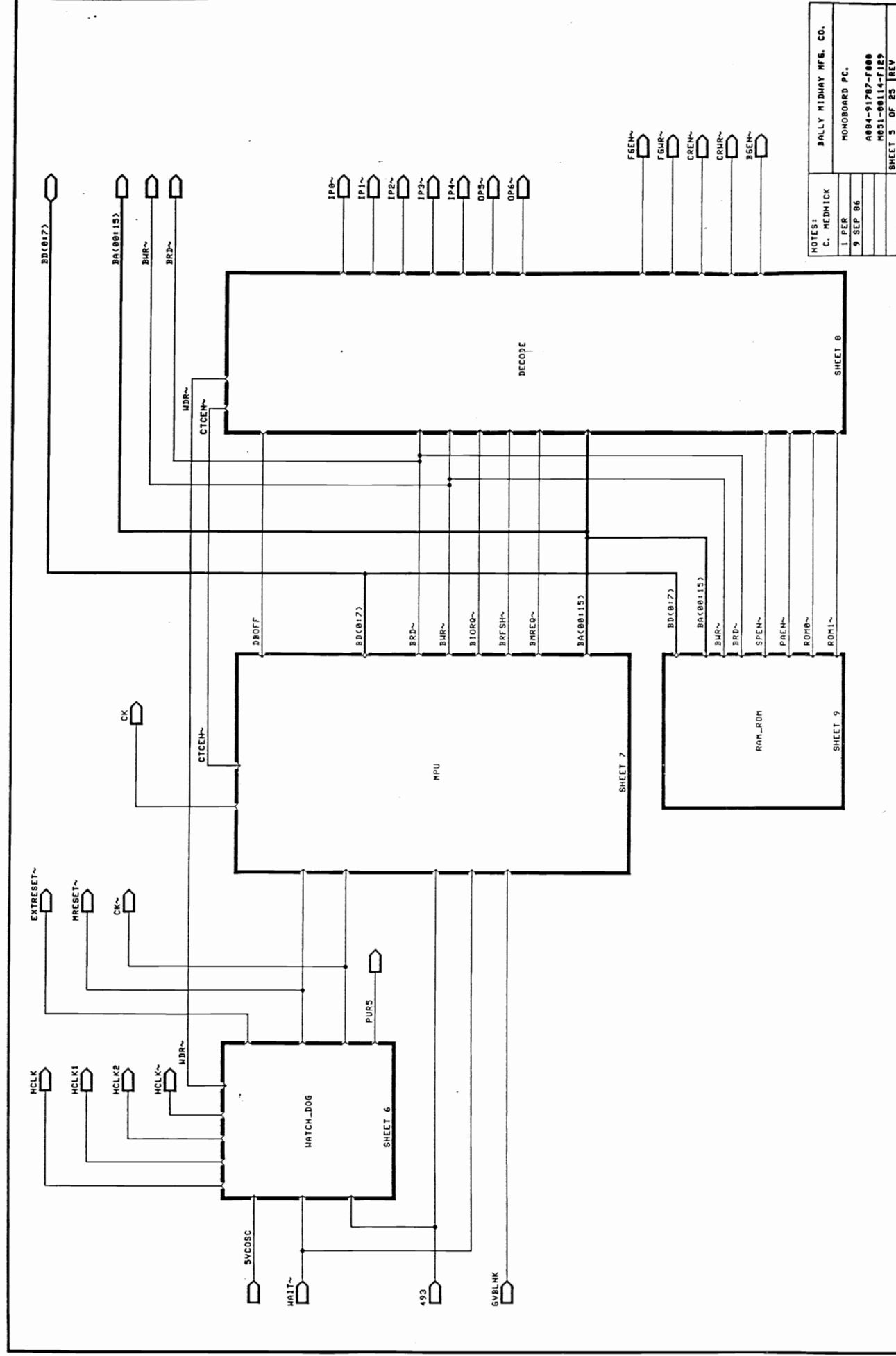
DESIGNATION LIST: Page 9 of 9

DESCRIPTION	DESIGNATION NO.
IC 12K	74LS298
IC 13K	74LS174
IC 14K	74F08
IC 15K	74LS74
ICS 4A,15A,3B,5B	28 PIN IC SOCKET (.600)
ICS 6B,9B,11B	24 PIN IC SOCKET (.600)
ICS 14B	28 PIN IC SOCKET (.600)
ICS 1C	40 PIN IC SOCKET (.600)
ICS 2C	28 PIN IC SOCKET (.600)
ICS 10C	24 PIN IC SOCKET (.300)
ICS 9D	24 PIN IC SOCKET (.300)
ICS 3E	16 PIN IC SOCKET (.300)
ICS 4E-6E,8E	28 PIN IC SOCKET (.600)
ICS 4G	24 PIN IC SOCKET (.300)
ICS 5G	20 PIN IC SOCKET (.300)
ICS 11G	24 PIN IC SOCKET (.300)
ICS 5H	20 PIN IC SOCKET (.300)
ICS 6H	24 PIN IC SOCKET (.300)
ICS 2J,3J	20 PIN IC SOCKET (.300)
ICS 9J,11J	24 PIN IC SOCKET (.300)
ICS 13J	20 PIN IC SOCKET (.300)
ICS 10K	24 PIN IC SOCKET (.300)
FBI-FBI3	FERRITE BEAD
SW1	SWITCH PC. MTG.
SW2	10 POS. DIP SWITCH
JW1-JW6	JUMPER
J1	AUTO INSERT PINS TIN .045
	SQ. PIN
J2-J6	AUTO INSERT PINS TIN .025
	SQ. PIN
MHQ3	SNAP
PC BOARD	A080-91787-F000

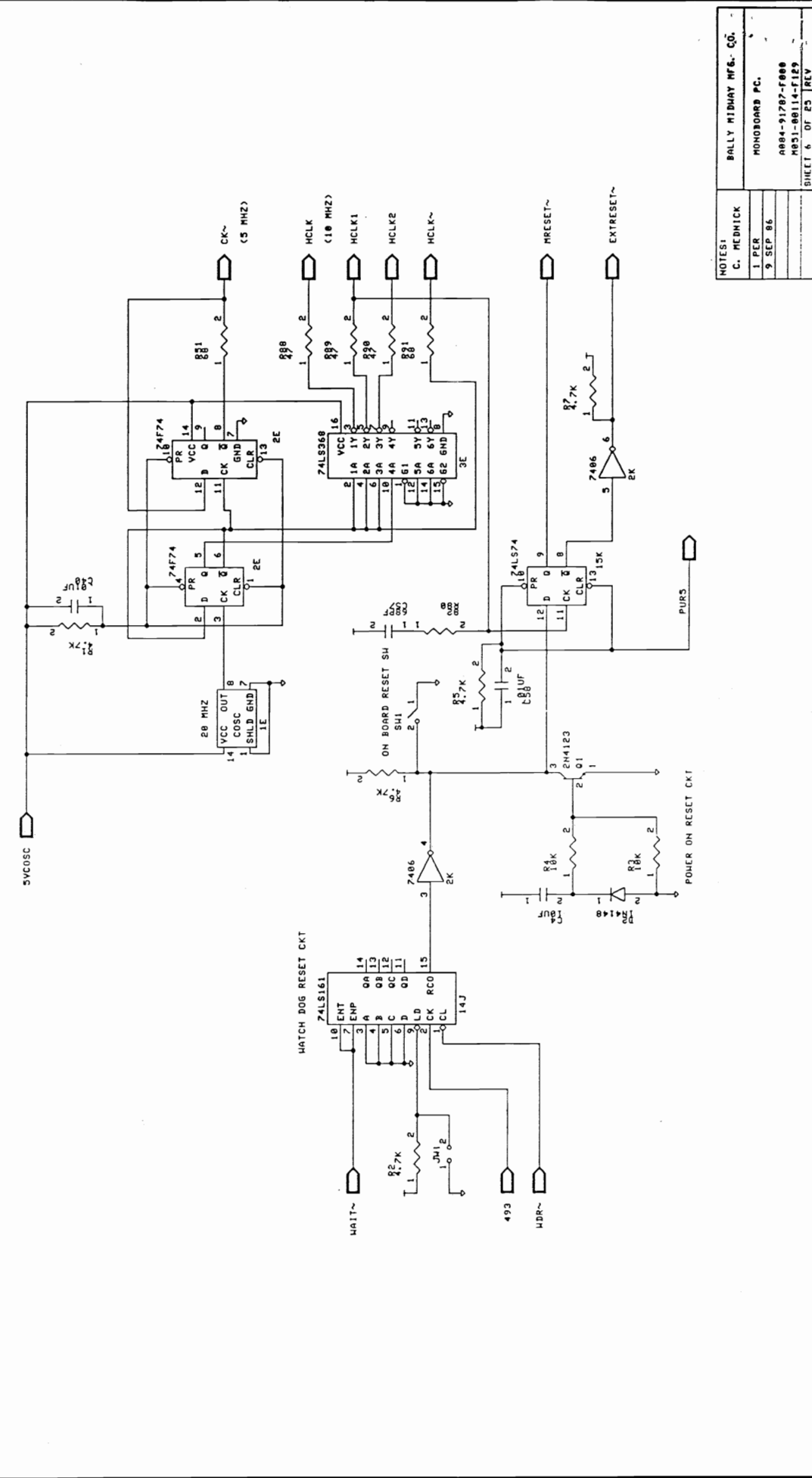
Released 12 Sept. 86 CMM



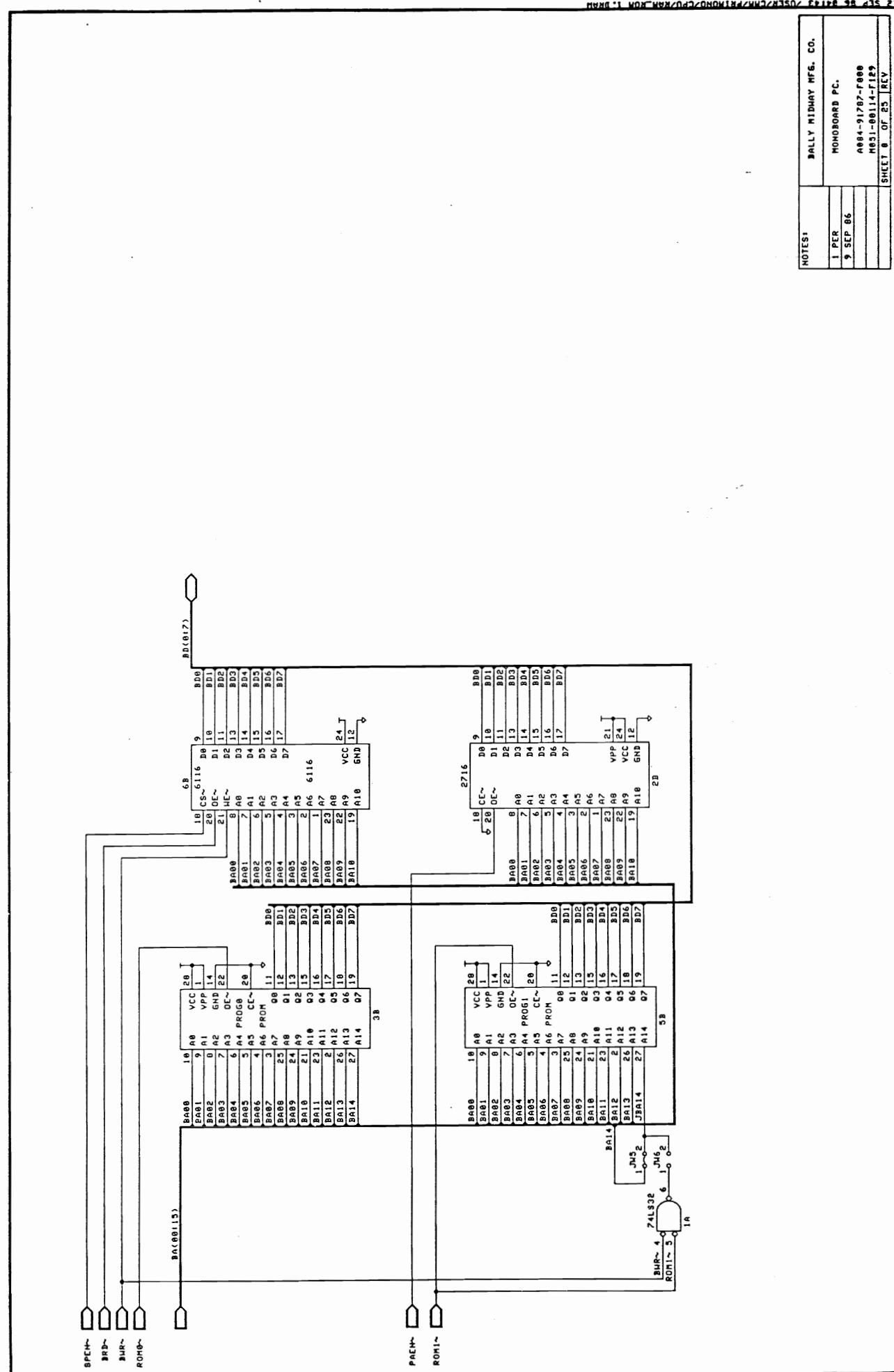
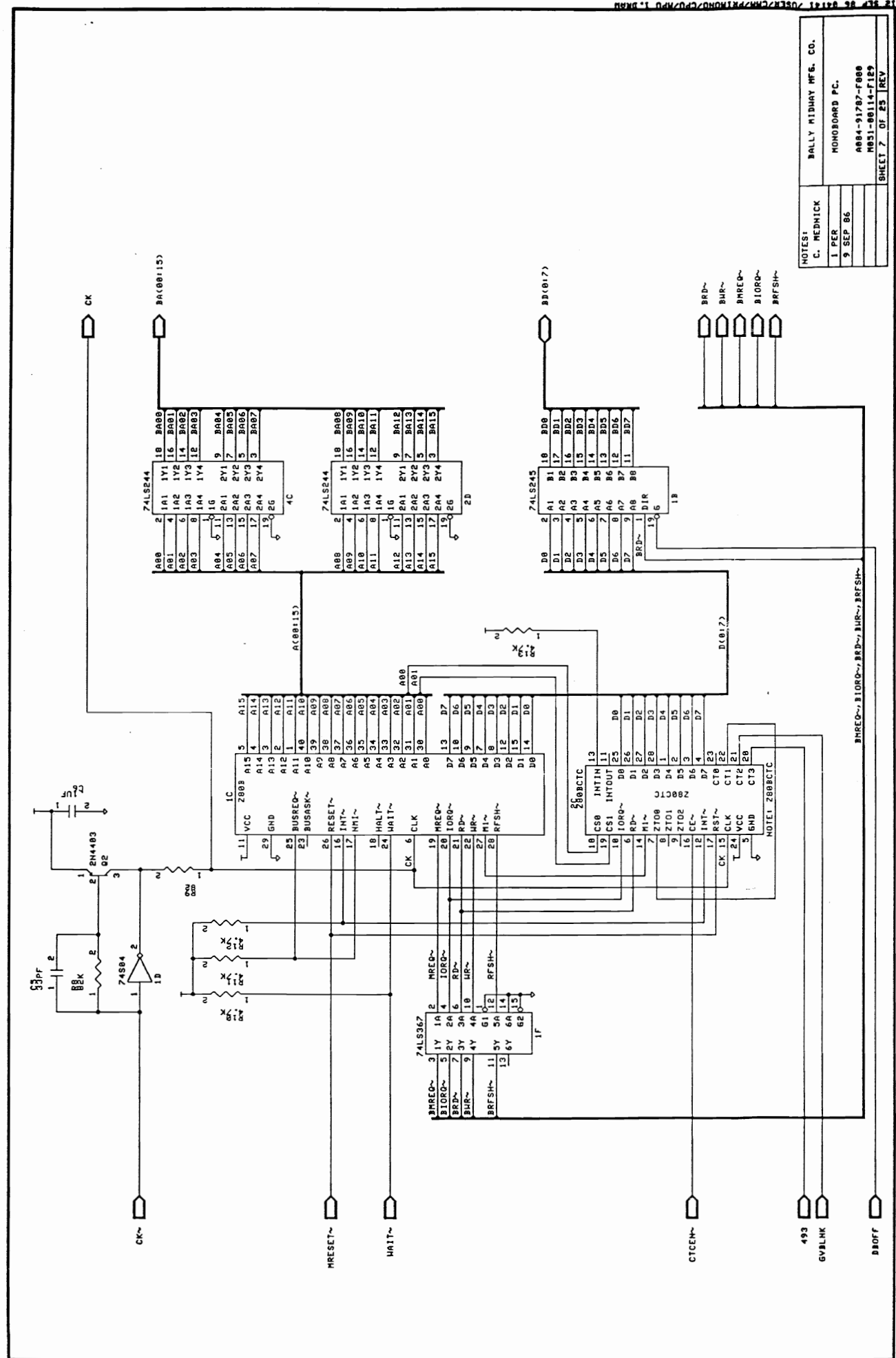




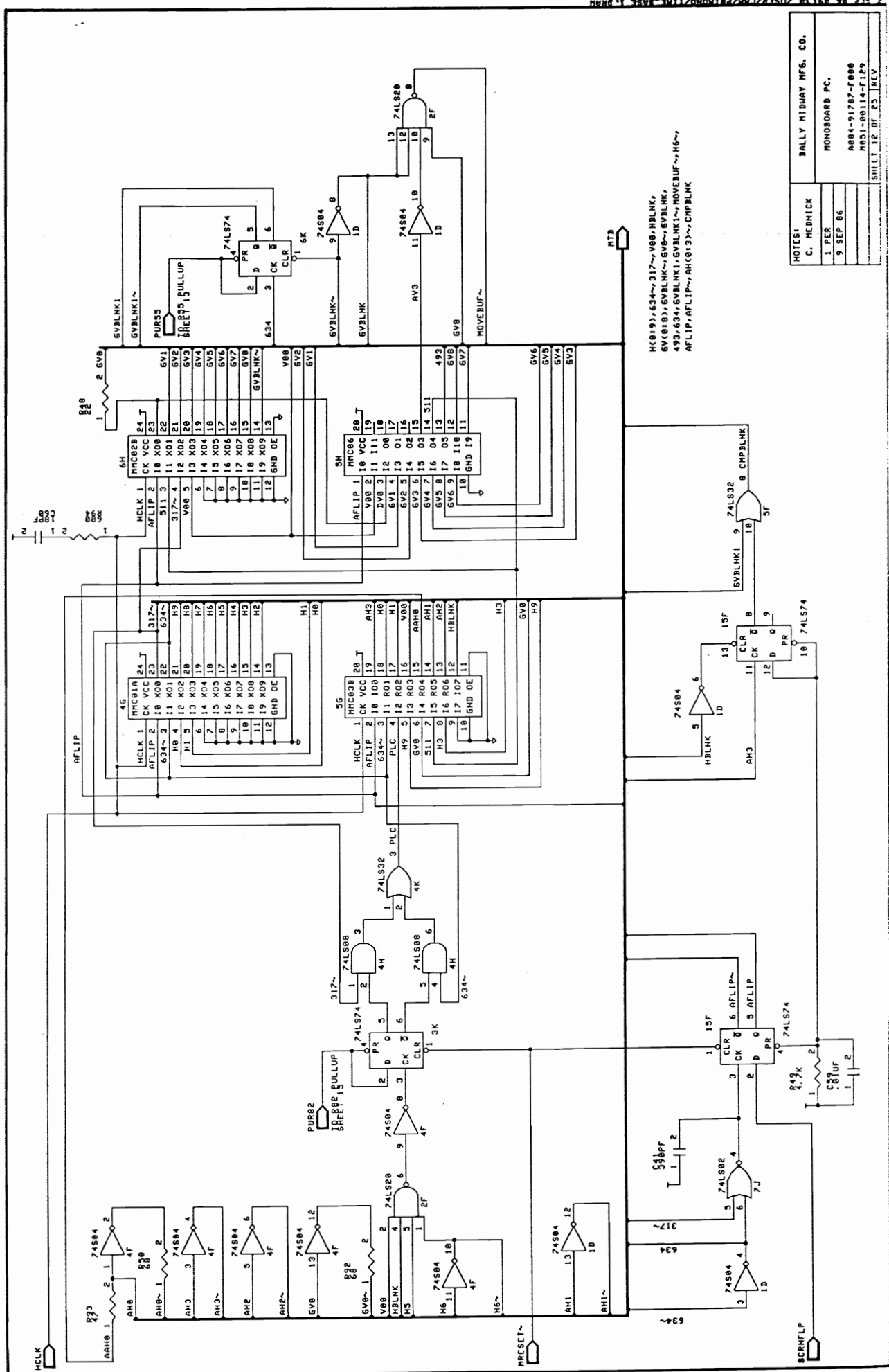
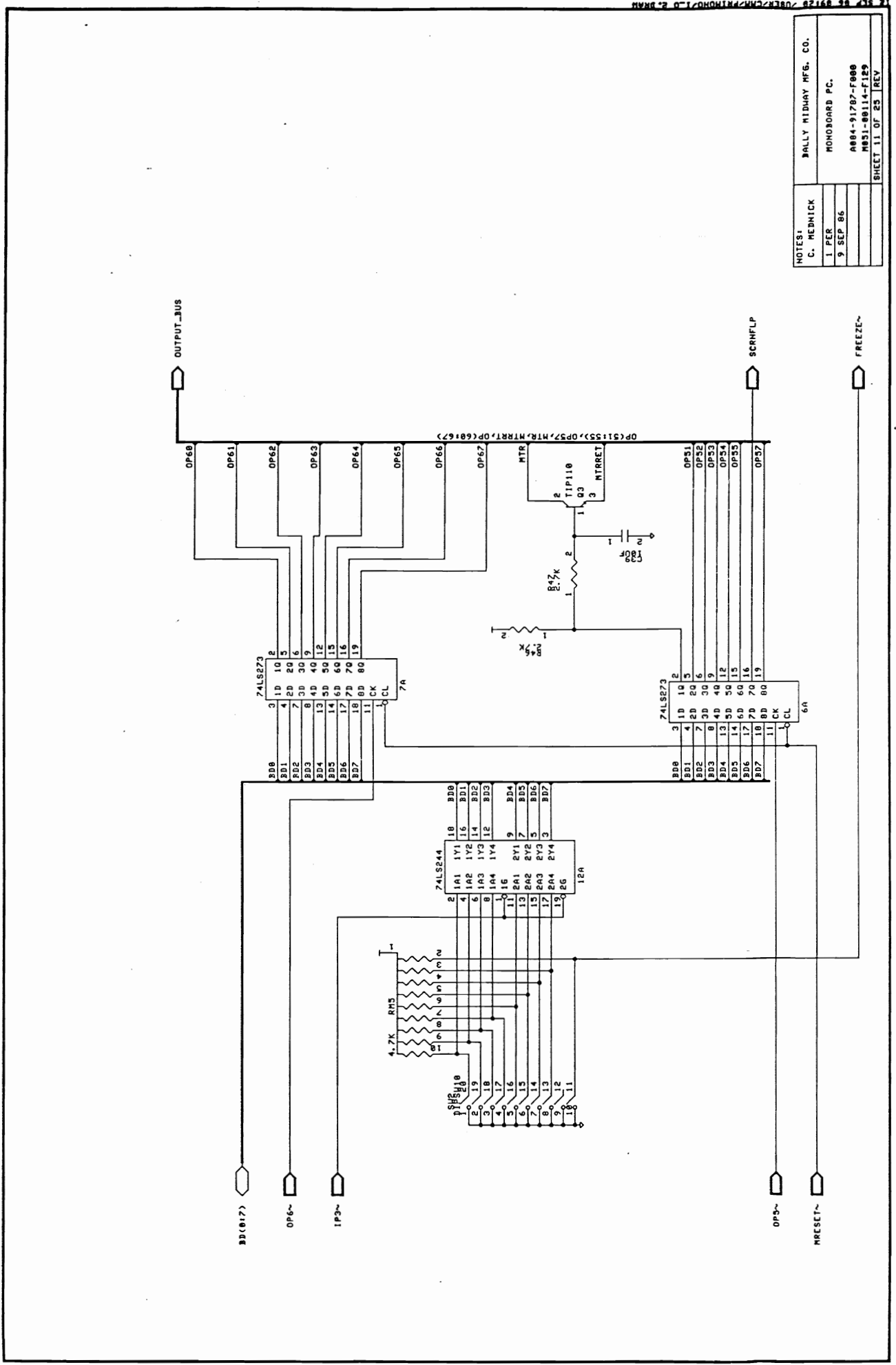
NOTES:  
 C. MEDNICK  
 1 PER  
 9 SEP 86  
 BALLY MIDWAY MFG. CO.  
 MONOBOARD PC.  
 A884-91787-F888  
 M851-88114-F129  
 SHEET 5 OF 25 REV



NOTES:  
 C. MEDNICK  
 1 PER  
 9 SEP 86  
 BALLY MIDWAY MFG. CO.  
 MONOBOARD PC.  
 A884-91787-F888  
 M851-88114-F129  
 SHEET 6 OF 25 REV

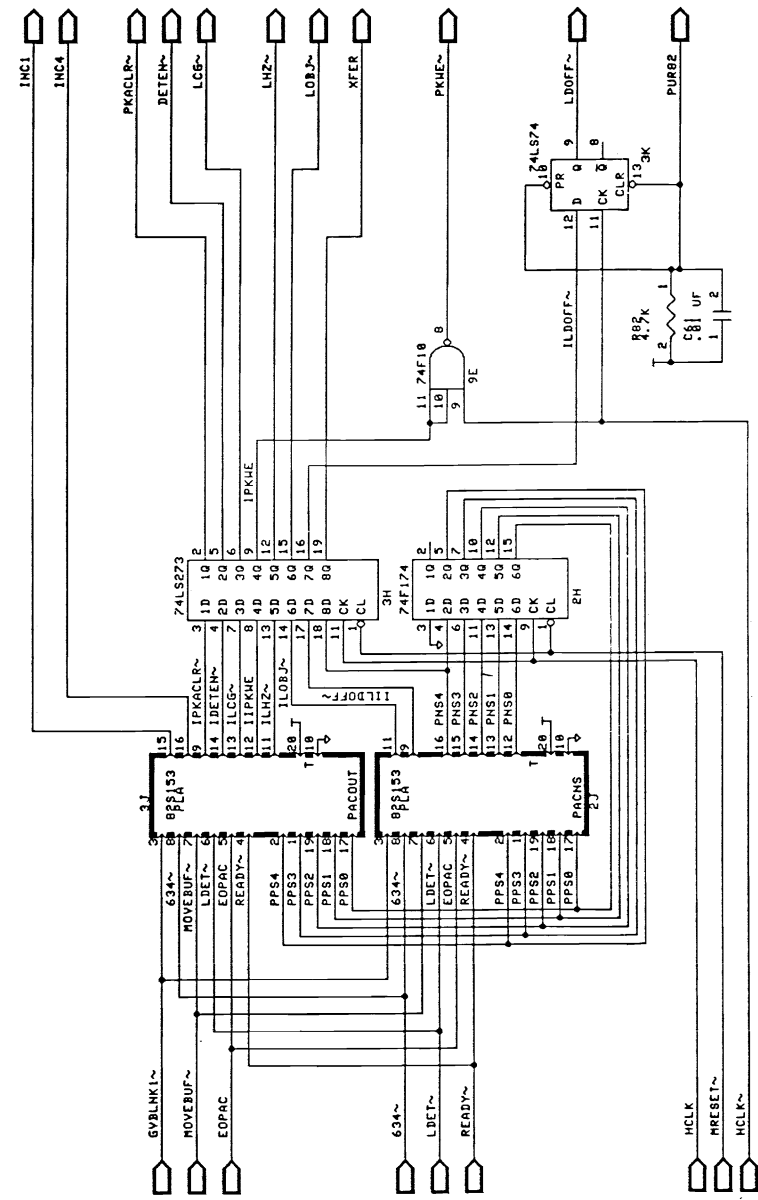








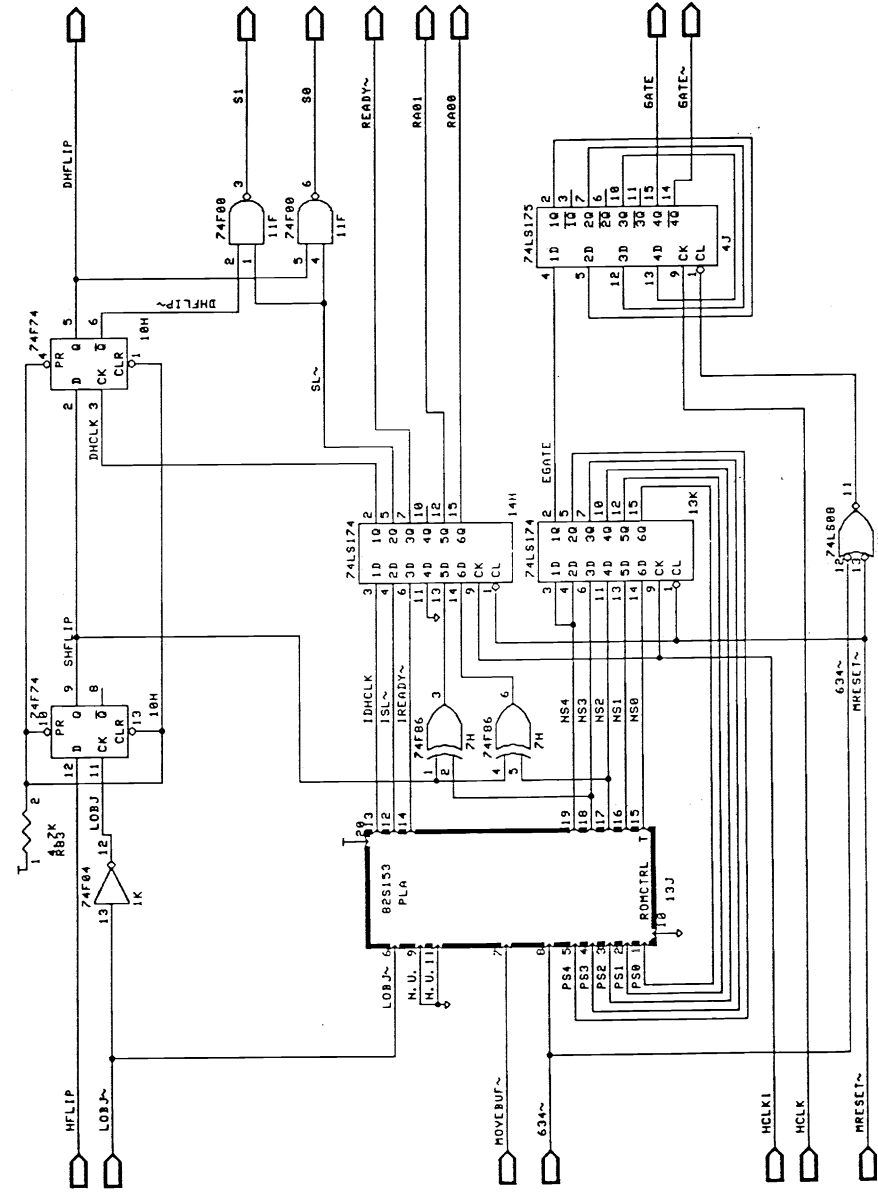




NOTES:  
 C. MEDNICK  
 1 PER  
 9 SEP 86

BALLY MIDWAY MFG. CO.  
 MONOBOARD PC.  
 8884-91787-F000  
 8851-88114-F129  
 SHEET 15 OF 23 REV

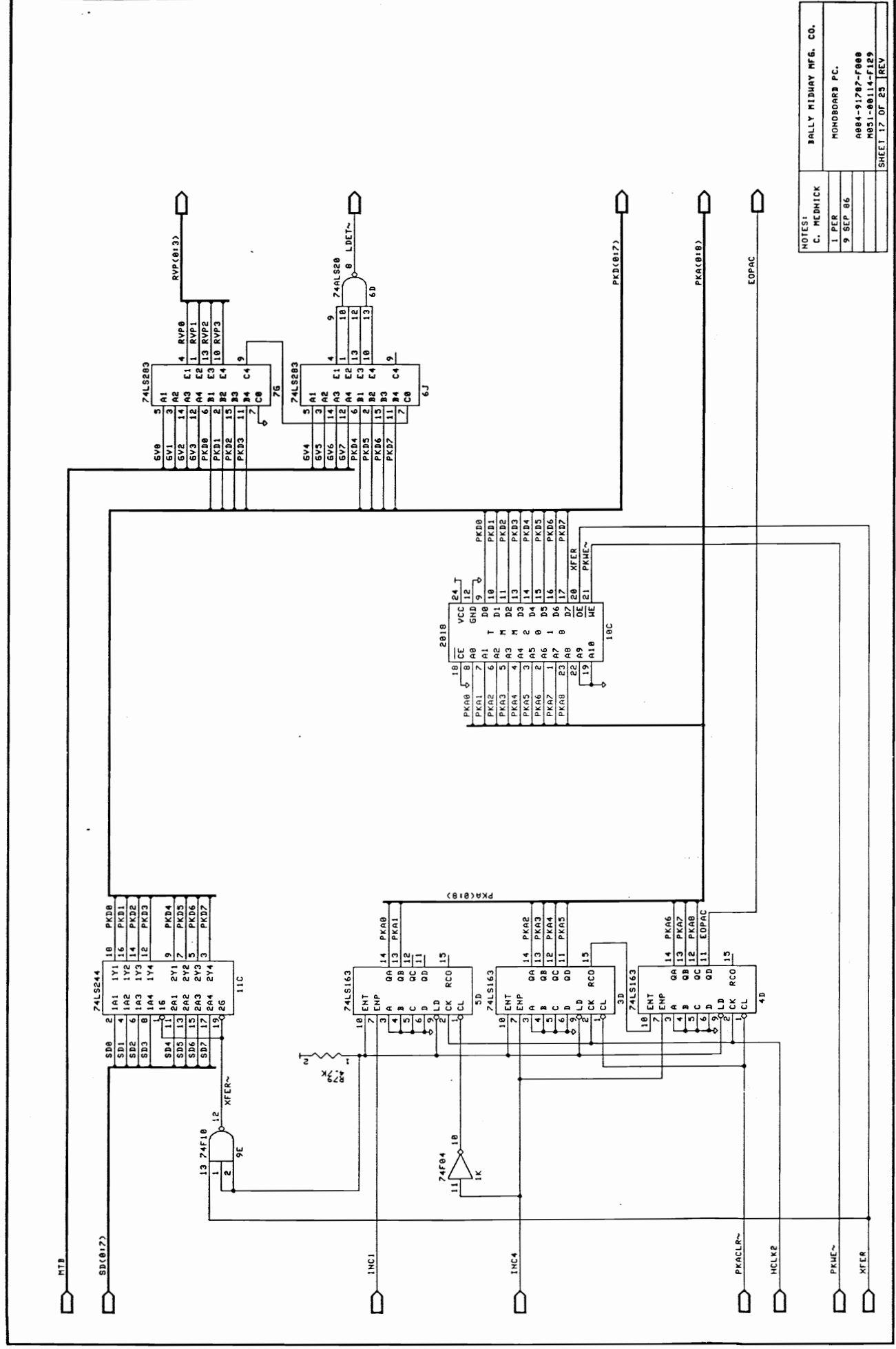
12 SEP 86 0912Z /05EN/CM/PRIMONO/FOREGROUND/PAC LTRML 1.DRAW



NOTES:  
 C. MEDNICK  
 1 PER  
 9 SEP 86

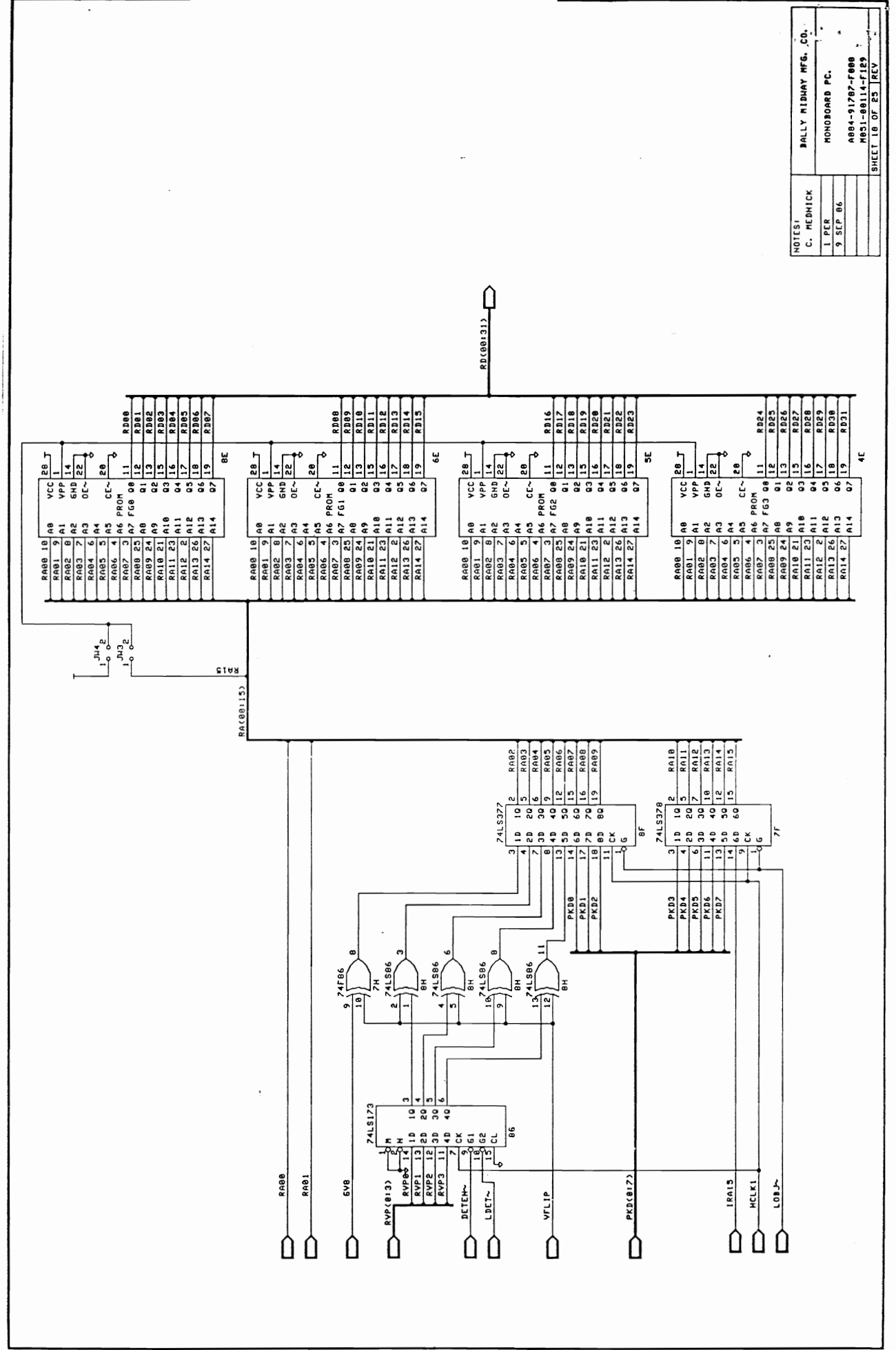
BALLY MIDWAY MFG. CO.  
 MONOBOARD PC.  
 8884-91787-F000  
 8851-88114-F129  
 SHEET 16 OF 23 REV

12 SEP 86 0912Z /05EN/CM/PRIMONO/FOREGROUND/PAC LTRML 1.DRAW



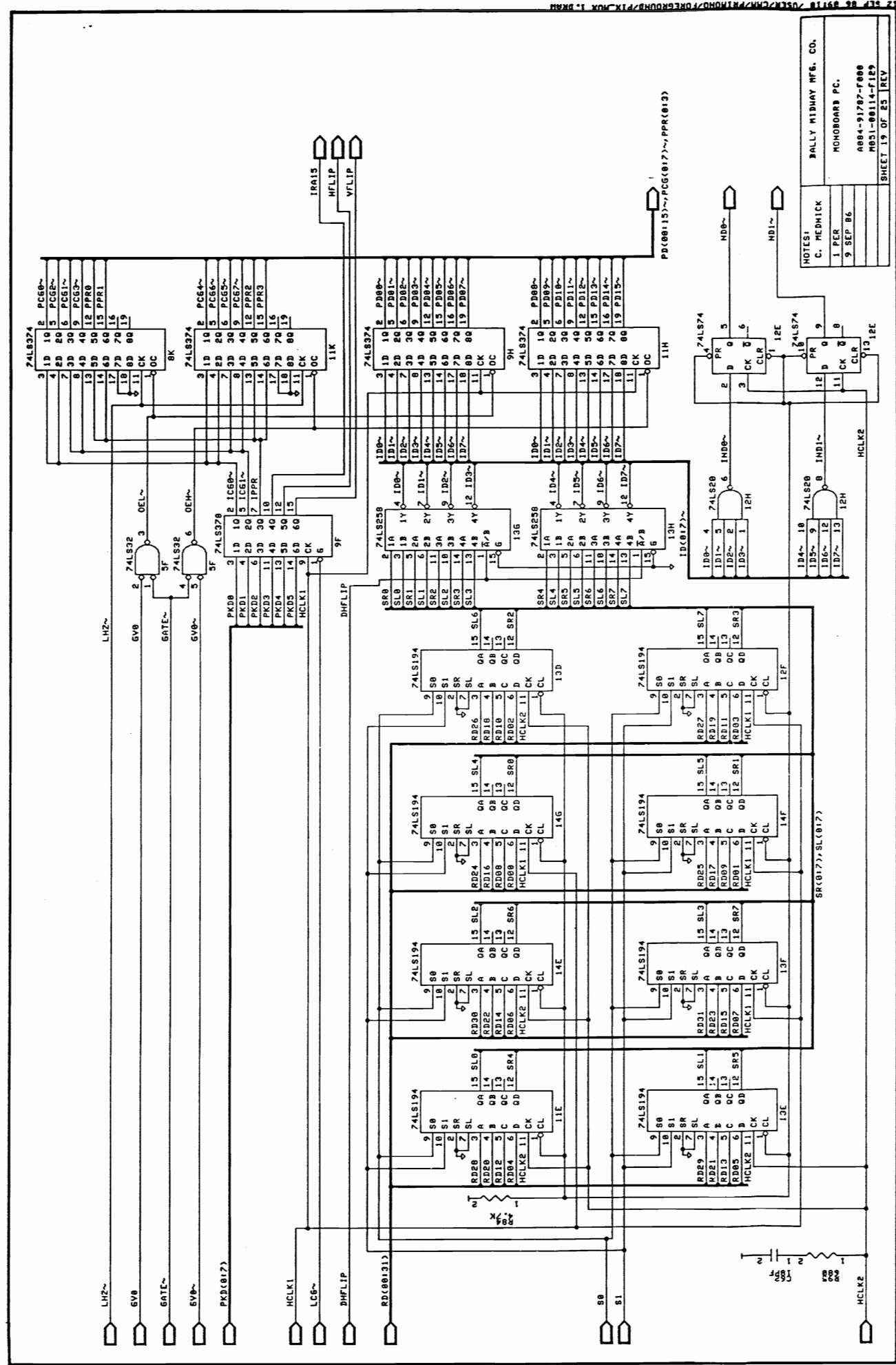
NOTES:  
C. MEDNICK  
1 PER  
9 SEP 86

BALLY MIDWAY MFG. CO.  
MONOBOARD PC.  
A884-91787-7000  
M051-88114-F129  
SHEET 17 OF 25 REV



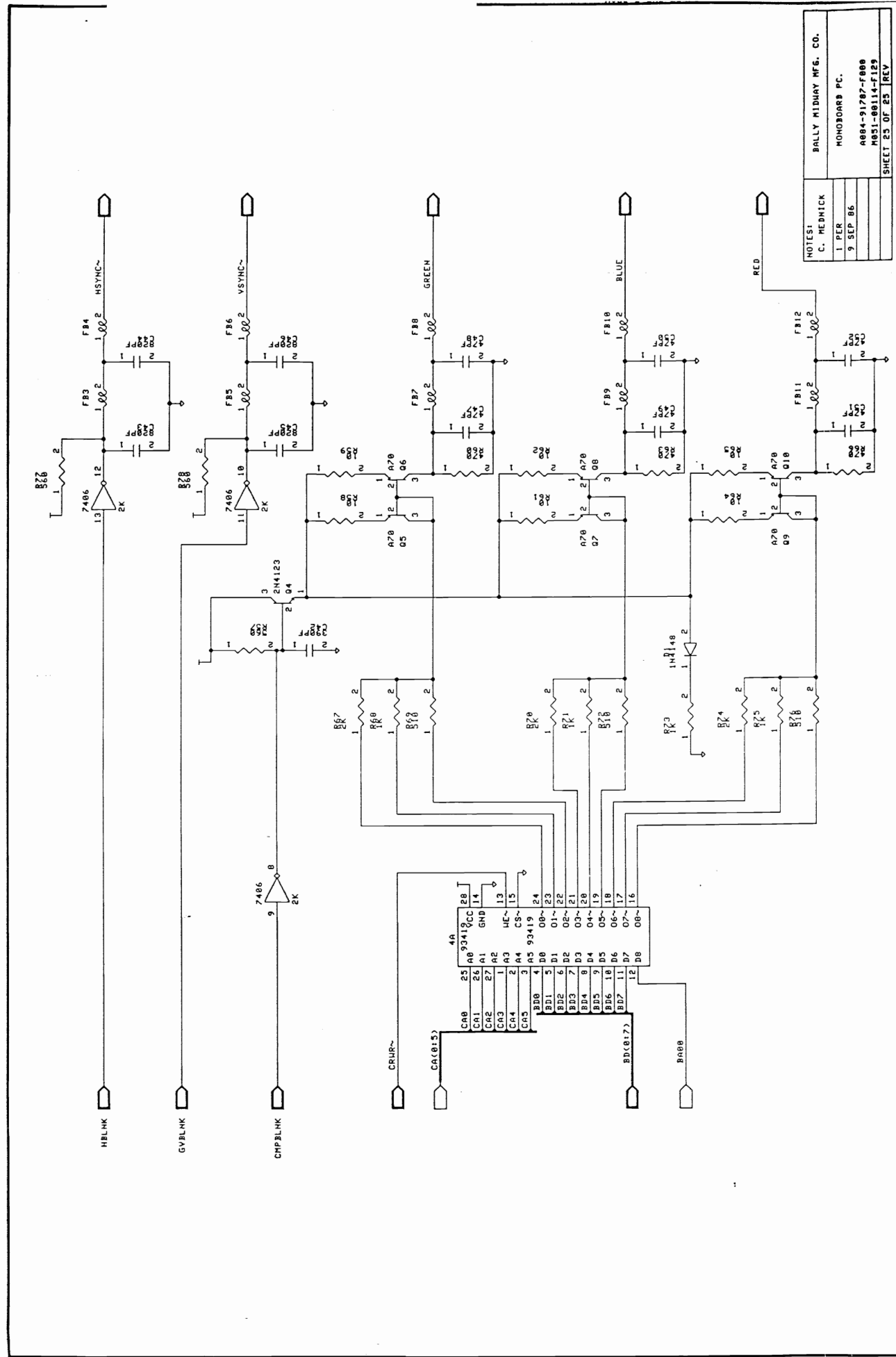
NOTES:  
C. MEDNICK  
1 PER  
9 SEP 86

BALLY MIDWAY MFG. CO.  
MONOBOARD PC.  
A884-91787-7000  
M051-88114-F129  
SHEET 18 OF 25 REV



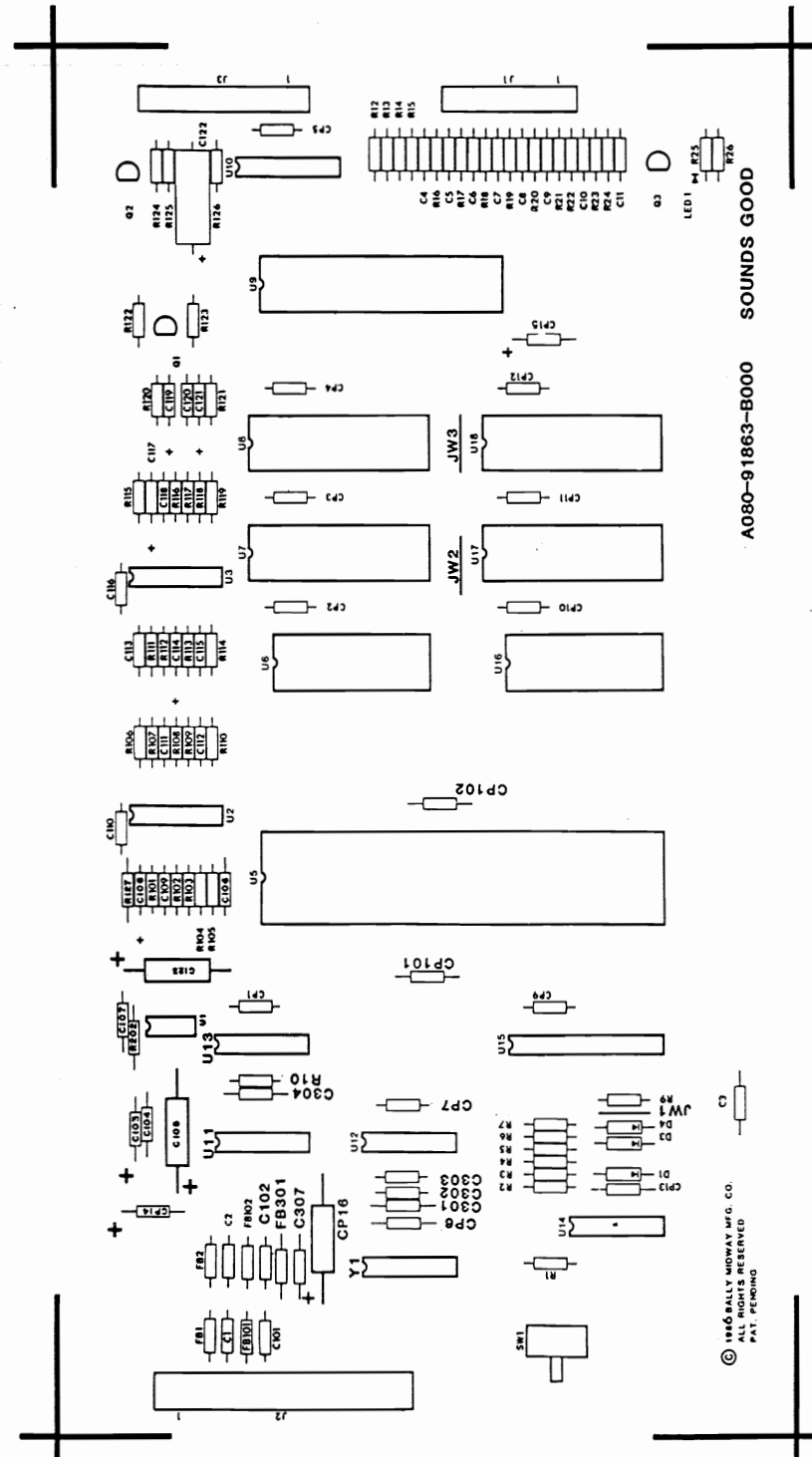






NOTES:  
 C. MEDNICK  
 1 PER  
 9 SEP 86

BALLY MIDWAY MFG. CO.  
 MONITOR PC  
 0894-91287-F808  
 M51-8814-F129  
 SHEET 23 OF 23 REV



PROJECT ENG: C. MEDNICK		USED ON
DO NOT SCALE DWG.		NO. REQ'D
DIM. TOLERANCES UNLESS SPECIFIED		SCALE
CONCENTRICITY F.I.P. .002		FULL
FRACTIONAL .1/16		ASSEMBLY DRAWING
HOLE DIA. .102-.002		SOUNDS GOOD
DATE 6/12/86		A084-91863-B000
REVISIONS		
6/13/86 Rel. for Production		
C/M/N		
MIDWAY MFG. CO. FRANKLIN PK. ILL.		
PART NO. M051-00114-B150		

DESIGNATION LIST

<u>DESIGNATION</u>	<u>DESCRIPTION</u>
CP1-CP7,CP9-CP13	.01MF AX CER.
CP14,CP15	10MF AX TANT.
CP16	100MF AX ELECT.
CP101,CP102	0.1UF AX CER.
C1,C2	390PF AX CER.
C3-C5	100PF AX CER.
C6,C7	820PF AX CER.
C8-C11	100PF AX CER.
C101,C102	390PF AX CER.
C103	1MF RD TANT.
C104	.01MF AX CER.
C105	47MF AX ELECT.
C106	680PF AX CER.
C107	.01MF AX CER.
C108	1MF RD TANT.
C109	68PF AX CER 10%
C110	.01 MF AX CER.
C111	150PF AX CER 10%
C112	470 PF AX CER 10%
C113	270 PF AX CER 10%
C114	1MF RD TANT.
C115	5600PF AX CER 10%
C116	.01MF AX CER.
C117	1MF RD TANT.
C118	270PF AX CER 10%
C119	10MF RD TANT.
C120	.01MF AX CER.
C121	10MF RD TANT.
C122	47MF AX ELECT.
C123	100MF AX ELECT.
C301	330PF AX CER.
C302,C303	470PF AX CER 10%
C304,C307	0.1UF AX CER.
R1-R3	4.7K OHM 1/4W CRBN.
R4	10K OHM 1/4W CRBN.
R5	100K OHM 1/4W CRBN.
R6-R7,R9	4.7K OHM 1/4W CRBN.
R10	1K OHM 1/4W CRBN.
R12-R14	4.7K OHM 1/4W CRBN.
R15,R16	10K OHM 1/4W CRBN.
R17,R18	100 OHM 1/4W CRBN.
R19-R21	10K OHM 1/4W CRBN.



DESIGNATION LIST

<u>DESIGNATION</u>	<u>DESCRIPTION</u>
R22	100K OHM 1/4W CRBN.
R23	10K OHM 1/4W CRBN.
R24	100K OHM 1/4W CRBN.
R25	100 OHM 1/4W CRBN.
R26	47K OHM 1/4W CRBN.
R101	12K OHM 1/4W CRBN.
R102	160K OHM 1/4W CRBN.
R103	100 OHM 1/4W CRBN.
R104	330K OHM 1/4W CRBN.
R105	24K OHM 1/4W CRBN.
R106	3.3K OHM 1/4W CRBN.
R107	24K OHM 1/4W CRBN.
R108	150K OHM 1/4W CRBN.
R109	82K OHM 1/4W CRBN.
R110	510K OHM 1/4W CRBN.
R111, R112	120K OHM 1/4W CRBN.
R113	33K OHM 1/4W CRBN.
R114	330K OHM 1/4W CRBN.
R115	150K OHM 1/4W CRBN.
R116	33K OHM 1/4W CRBN.
R117	18K OHM 1/4W CRBN.
R118	100K OHM 1/4W CRBN.
R119	510K OHM 1/4W CRBN.
R120	47K OHM 1/4W CRBN.
R121	1K OHM 1/4W CRBN.
R122	2.7K OHM 1/4W CRBN.
R123, R124	360 OHM 1/4W CRBN.
R125	180 OHM 1/4W CRBN.
R126	2.7K OHM 1/4W CRBN.
R127	560K OHM 1/4W CRBN.
R202	100 OHM 1/4W CRBN.
D1, D3-D4	1N5817
Q1-Q3	2N5305
U1	MC3340
U2, U3	LM359
U5	68000G8 CPU
U6	RAM 2K X 8
U7, U8	ROM/EPROM
U9	6821 P.I.A.
U10	AD7533JN DAC
U11	14584/40106
U12	74S74
U13	74LS04

DESIGNATION LIST

<u>DESIGNATION</u>	<u>DESCRIPTION</u>
U14	74F32
U15	SG01R0 PAL
U16	PAM 2K X 8
U17, U18	ROM/EPROM
FB1, FB2	FERRITE BEAD
FB101, FB102	FERRITE BEAD
FB301	FERRITE BEAD
ICS U5	64 PIN IC SOCKET
ICS U6	24 PIN IC SOCKET .600
ICS U7, U8	28 PIN IC SOCKET
ICS U9	40 PIN IC SOCKET
ICS U10	16 PIN IC SOCKET
ICS U15	24 PIN IC SOCKET .300
ICS U16	24 PIN IC SOCKET .600
ICS U17, U18	28 PIN IC SOCKET
J1	AUTO INSERT PIN TIN .025 SQ.
J2	AUTO INSERT PIN TIN .045 SQ.
J3	AUTO INSERT PIN TIN .025 SQ.
JW1-JW3	ZERO OHM RESISTOR
LED 1	GREEN LED
SW1	SWITCH PC MTG.
Y1	16 MHZ XSTAL OSC.

CROSS REFERENCE

<u>DESCRIPTION</u>	<u>QTY.</u>	<u>DESIGNATION</u>	<u>PART NUMBER</u>
68 PF AX CER 10%	1	C109	0307-00800-0011
100 PF AX CER	7	C3-C5, C8-C11	0304-00800-0001
150 PF AX CER 10%	1	C111	0307-00800-0010
270 PF AX CER 10%	2	C113, C118	0307-00800-0009
330 PF AX CER	1	C301	0300-00800-1402
390 PF AX CER	4	C1, C2, C101, C102	0986-00800-3000
470 PF AX CER 10%	3	C112, C302, C303	0307-00800-0008
680 PF AX CER	1	C106	0358-00800-0002
820 PF AX CER	2	C6, C7	0304-00800-0002
5600 PF AX CER 10%	1	C115	0307-00800-0007
.01 MF AX CER	17	C104, C107, C110	0986-00800-2200
		C116, C120, CP1-CP7, CP9-CP13	
0.1 UF AX CER	4	C304, C307, CP101, CP102	0986-00800-0200
1 MF RD TANT	4	C103, C108, C114, C117	0307-00800-0004
10 MF AX TANT	2	CP14, CP15	0986-00800-0700
10 MF RD TANT	2	C119, C121	0307-00800-0005
47 MF AX ELECT	2	C105, C122	0307-00800-0003
100 MF AX ELECT	2	CP16, C123	0307-00800-0006
100 OHM 1/4W CRBN	5	R17, R18, R25, R103, R202	100E-00005-0033
180 OHM 1/4W CRBN	1	R125	100E-00005-0039
360 OHM 1/4W CRBN	2	R123, R124	100E-00005-0048
1K OHM 1/4W CRBN	2	R10, R121	100E-00005-0061
2.7K OHM 1/4W CRBN	2	R122, R126	100E-00005-0071
3.3K OHM 1/4W CRBN	1	R106	100E-00005-0074
4.7K OHM 1/4W CRBN	9	R1-R3, R6-R7, R9	100E-00005-0079
		R12-P14	
10K OHM 1/4W CRBN	7	R4, R15, R16, R19-R21, R23	100E-00005-0088
12K OHM 1/4W CRBN	1	R101	100E-00005-0090
18K OHM 1/4W CRBN	1	R117	100E-00005-0093
24K OHM 1/4W CRBN	2	R105, R107	100E-00005-0097
33K OHM 1/4W CRBN	2	R113, R116	100E-00005-0100
47K OHM 1/4W CRBN	2	R26, R120	100E-00005-0104
82K OHM 1/4W CRBN	1	R109	100E-00005-0112
100K OHM 1/4W CRBN	4	R5, R22, R24, R118	100E-00005-0115
120K OHM 1/4W CRBN	2	R111, R112	100E-00005-0118
150K OHM 1/4W CRBN	2	R108, R115	100E-00005-0120
160K OHM 1/4W CRBN	1	R102	100E-00005-0121
330K OHM 1/4W CRBN	2	R104, R114	100E-00005-0128
510K OHM 1/4W CRBN	2	R110, R119	100E-00005-0133
560K OHM 1/4W CRBN	1	R127	100E-00005-0134
1N5817	3	D1, D3-D4	103E-00003-0009
2N5305	3	Q1-Q3	0360-00802-0012
74LS04	1	U13	0304-00803-0060
74F32	1	U14	0304-00803-0059

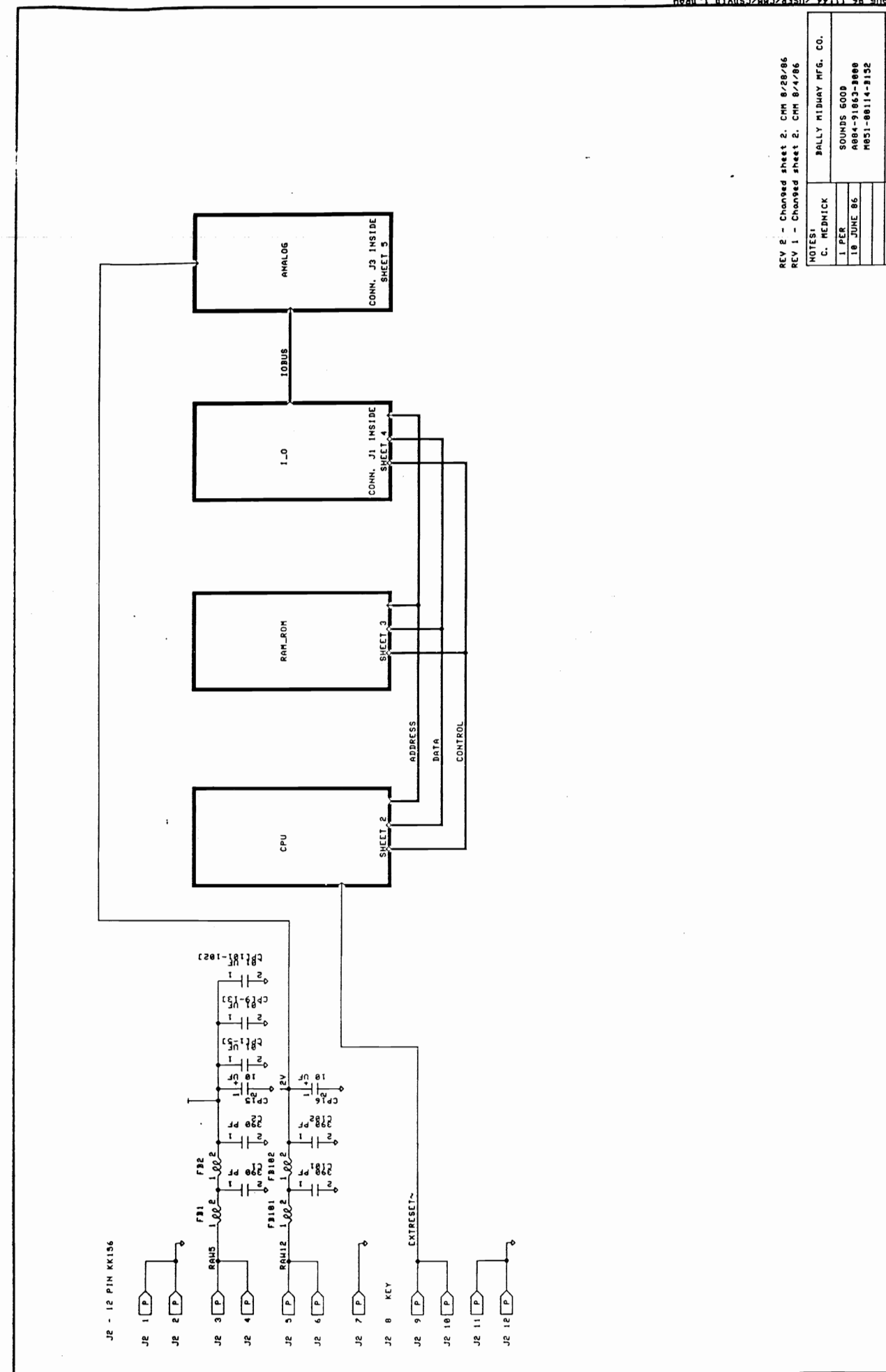


**SOUNDS GOOD**  
**A084-91863-8000**  
**M051-00114-B151 (Page 5 of 5)**

**CROSS REFERENCE**

DESCRIPTION	QTY.	DESIGNATION	PART NUMBER
74S74	1	U12	0304-00803-0061
14584/40106	1	U11	0304-00803-0056
6821 PIA	1	U9	0304-00803-0054
68000G8 CPU	1	U5	0304-00803-0051
AD7533JN DAC	1	U10	0304-00803-0055
SG01RO PAL	1	U15	0E36-00803-0009
LM359	2	U2,U3	0304-00803-0053
MC3340	1	U1	0358-00803-0002
RAM 2KX8	2	U6,U16	0304-00803-0057
ROM/EPROM	1	U7	SEE ROM/EPROM CHART
ROM/EPROM	1	U8	
ROM/EPROM	1	U17	
ROM/EPROM	1	U18	
FERRITE BEAD	5	FB1,FB2,FB101,FB102, FB301	0316-00804-0002
16 PIN IC SOCKET	1	ICS U10	110E-00001-0003
24 PIN IC SOCKET .300	1	ICS U15	110E-00001-0009
24 PIN IC SOCKET .600	2	ICS U6,U16	110E-00001-0007
28 PIN IC SOCKET	4	ICS U7,U8,U17,U18	110E-00001-0010
40 PIN IC SOCKET	1	ICS U9	110E-00001-0011
64 PIN IC SOCKET	1	ICS U5	110E-00001-0016
AUTO INSERT PIN TIN .025 SQ	8	J1	0304-00804-0009
AUTO INSERT PIN TIN .025 SQ	11	J3	0304-00804-0009
AUTO INSERT PIN TIN .045 SQ	11	J2	0304-00804-0010
ZERO OHM RES	3	JW1-JW3	117E-00001-0003
GREEN LED	1	LED 1	119E-00001-0001
SWITCH PC MTG	1	SW1	0986-00804-3100
16 MHZ XSTAL OSC	1	Y1	0304-00804-0008
PC BOARD	1		A080-91671-G000

6-13-86 Released for Production, CMM.  
6-26-86 Rev. 1.0 CMM - Changed R101 from 24K to 12K.



REV 2 - Changed sheet 2. CMM 8/25/86  
REV 1 - Changed sheet 2. CMM 8/4/86

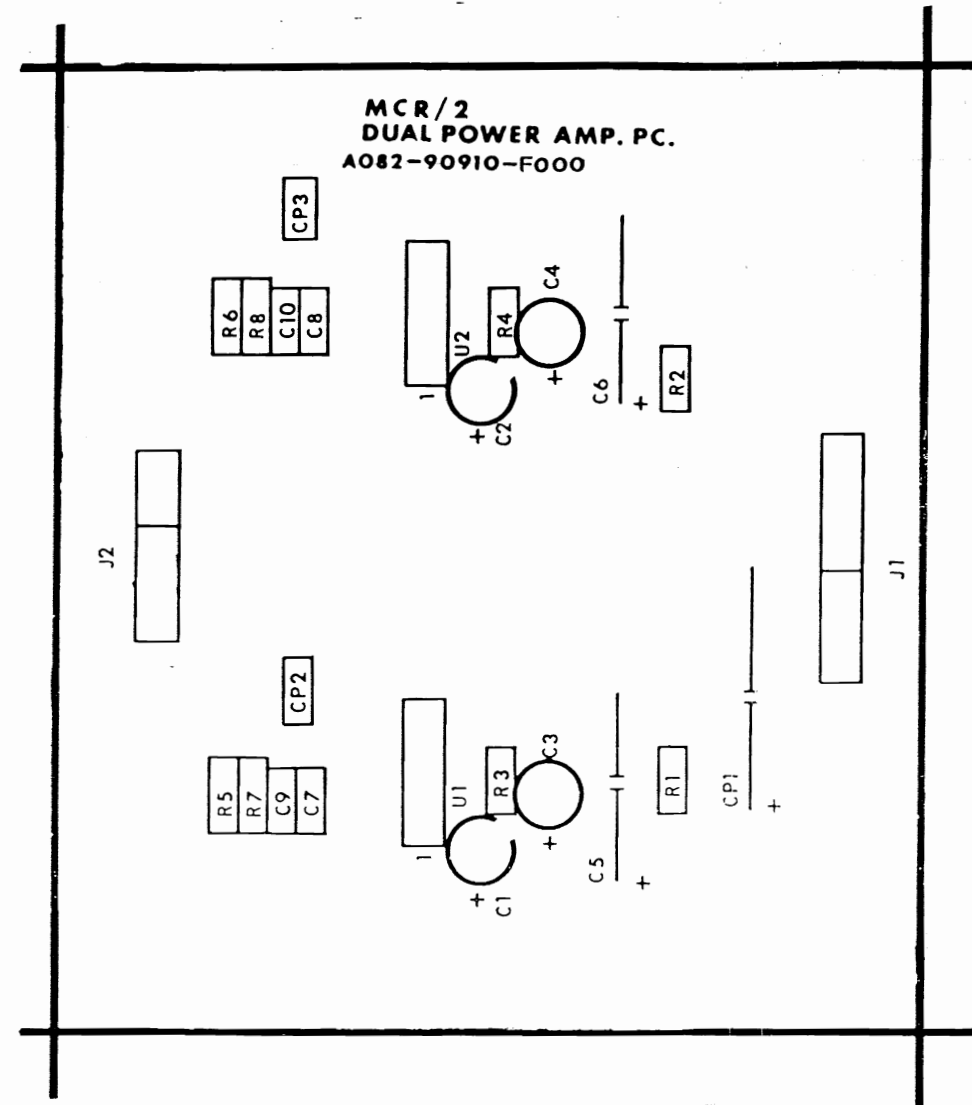
NOTES:  
C. WEDNICK  
1 PER  
18 JUNE 86  
SOUNDS GOOD  
A084-91863-8000  
M051-00114-B152  
SHEET 1 OF 5 REV





**DESIGNATION LIST**

DESIGNATION NO.	DESCRIPTION
C1,C2	4.7 MF 25V RD TANT
C3,C4	22 MF 6V RD TANT
C5,C6	470 MF 6V AX ELEC
C7-C10	.1 MF 50V AX CER
CP1	220 MF 25V AX ELEC
CP2,CP3	.1 MF 50V AX CER
R1,R2	2.7K OHM 1/4W 5% CRBN
R3,R4	27 OHM 1/4W 5% CRBN
R5-R8	1 OHM 1/2W 5% CRBN
U1,U2	MB3730
J1	7 PIN
J2	5 PIN
HSA1,2	HEATSINK ASSY
MH1-MH4	1/4" SPACER



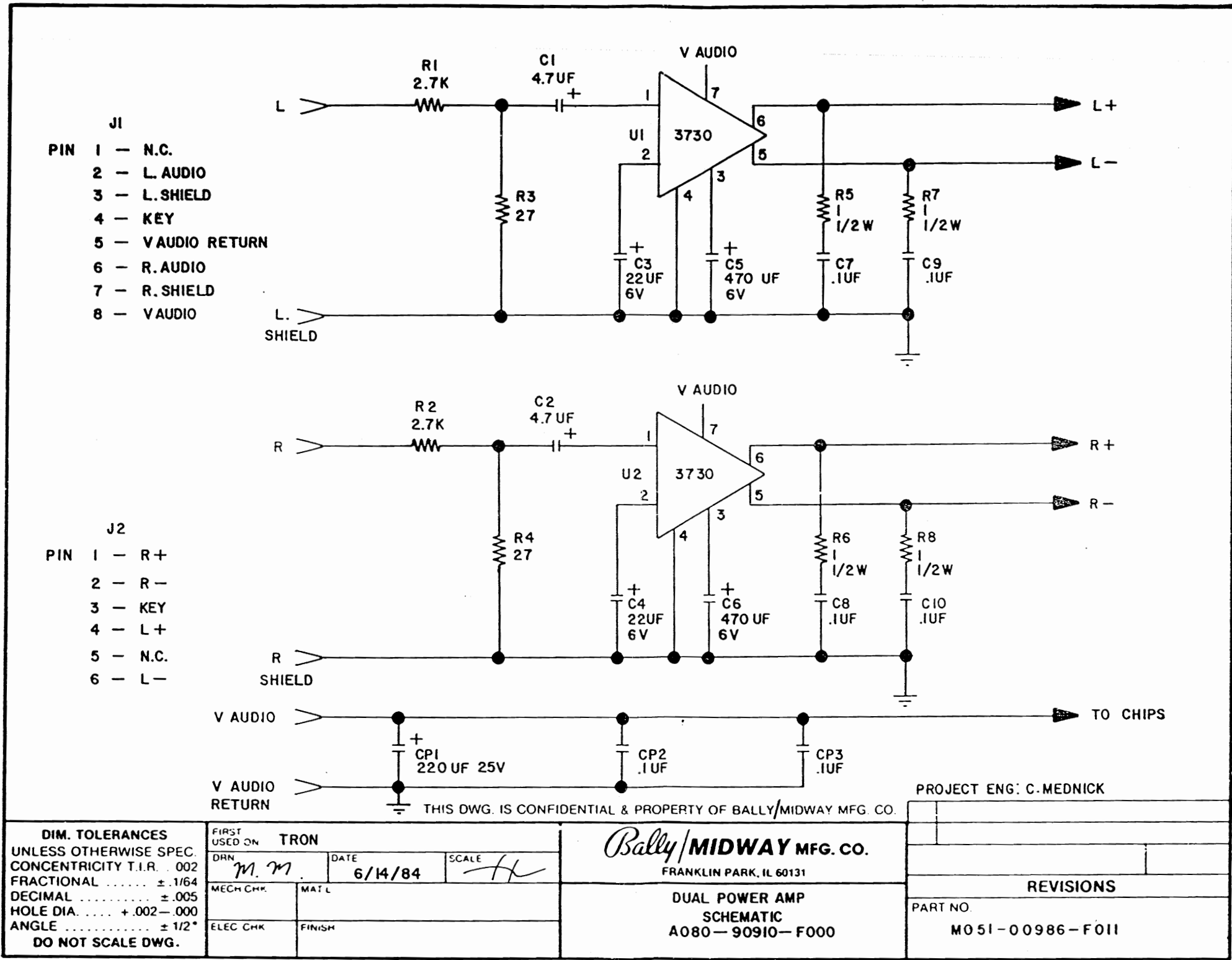
**CROSS REFERENCE LIST**

DESCRIPTION	QTY	DESIGNATION NO.	PART NUMBER
.1 MF 50V AX CER	6	C7-C10, CP2, CP3	0986-00800-1100
4.7 MF 25V RD TANT	2	C1, C2	0986-00800-3100
22 MF 6V RD TANT	2	C3, C4	0986-00800-1600
220 MF 25V AX ELEC	1	CP1	0986-00800-3200
470 MF 6V AX ELEC	2	C5, C6	0986-00800-1700
1 OHM 1/2W 5%	4	R5-R8	0062-02603-1XXX
27 OHM 1/4W 5%	2	R3, R4	0062-06803-1XXX
2.7K OHM 1/4W 5%	2	R1, R2	0062-199B3-1XXX
MB3730	2	U1, U2	0066-188XX-XX4X
TIN .045 SQ PINS	12	J1, J2	0017-00033-0480
HEATSINK ASSY	2	HSA1, 2	A986-00010-E000
1/4" SPACER	4	MH1-MH4	0017-00042-0320
PC BOARD	1		A080-90910-F000

PROJECT ENG: C. MEDNICK

THIS DWG IS CONFIDENTIAL & PROPERTY OF BALLY/MIDWAY MFG CO

<b>DIM. TOLERANCES</b> UNLESS OTHERWISE SPEC. CONCENTRICITY T.I.R. .002 FRACTIONAL ± 1/64 DECIMAL ± .005 HOLE DIA. +.002 - .000 ANGLE ± 1/2° DO NOT SCALE DWG.	FIRST USED ON TRON	FRANKLIN PARK, IL 60131		
	DRN M M DATE 6/14/84 SCALE H			
	MECH CHK MAT L		DUAL PWR AMP ASSEMBLY DRWG A084-90910-F000	REVISIONS
	ELEC CHK FINISH			PART NO. M051-00986-F010



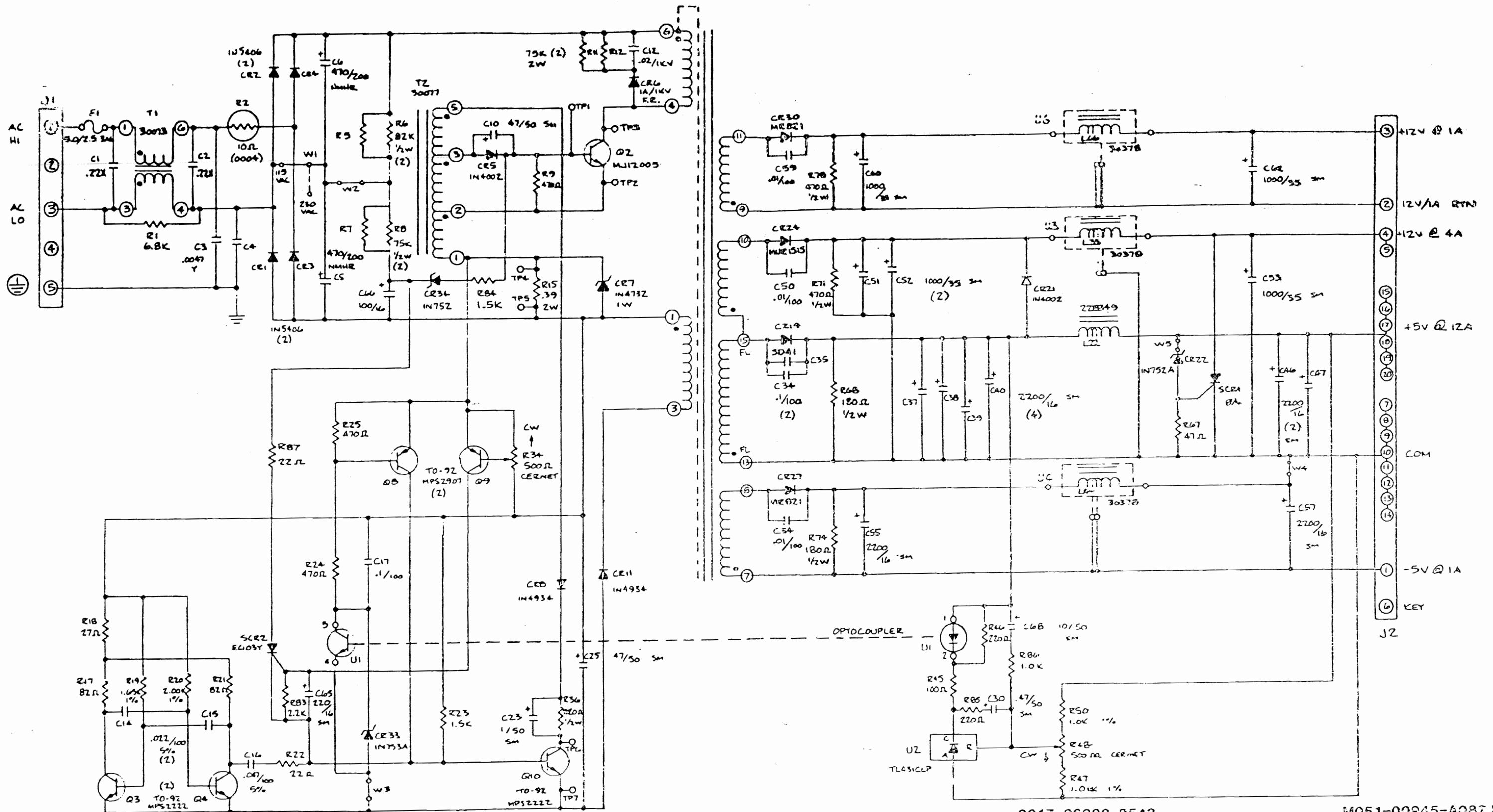
**DIM. TOLERANCES**  
 UNLESS OTHERWISE SPEC.  
 CONCENTRICITY T.I.R. .002  
 FRACTIONAL ± .1/64  
 DECIMAL ± .005  
 HOLE DIA. +.002 - .000  
 ANGLE ± 1/2°  
 DO NOT SCALE DWG.

FIRST USED ON	TRON		
DRN	M.M.	DATE	6/14/84
MECH. CHK.	MAT. L.	SCALE	AK
ELEC. CHK.	FINISH		

**Bally/MIDWAY MFG. CO.**  
 FRANKLIN PARK, IL 60131

**DUAL POWER AMP**  
 SCHEMATIC  
 A080-90910-F000

<b>REVISIONS</b>	
PART NO.	M051-00986-F011



3-30

Z. CAPACITOR VALUES IN MICROFARAD/VOLTS.  
 1. RESISTOR VALUES ARE IN OHMS 1/4W, 5%, C.F.  
 NOTES: UNLESS OTHERWISE SPECIFIED.

FOR ADDITIONAL ELECTRICAL INFORMATION,  
 REFER TO MECH. DWG. NO. 0017-00003-0543.

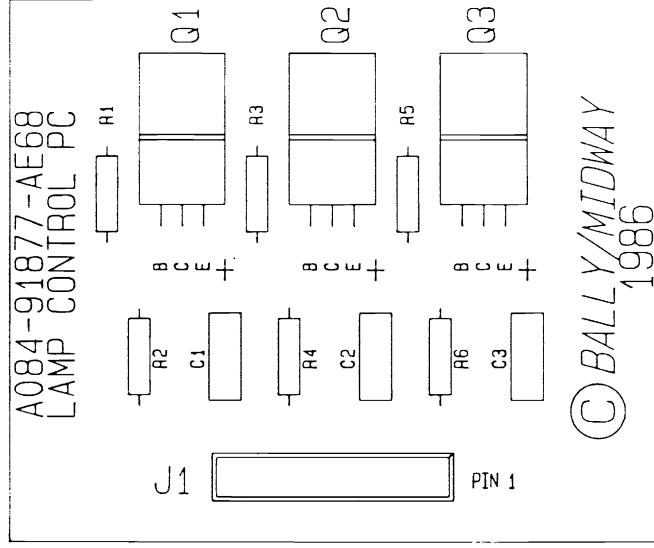
0017-00003-0543 M051-00945-A087

REV	DESCRIPTION	DATE	BY	CHECKED	APPROVED

SCHEMATIC  
 SP1016

31-SP1016





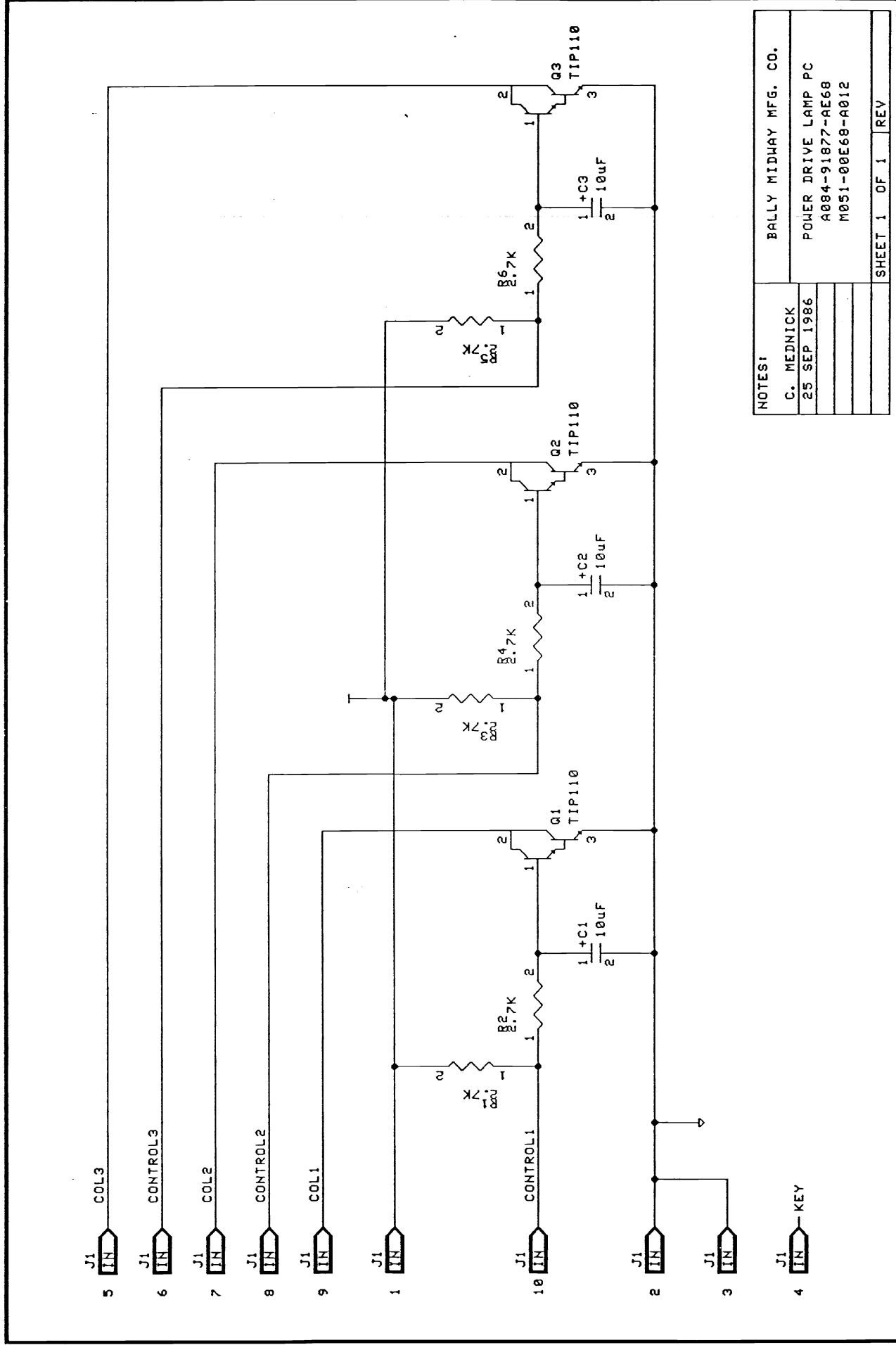
PARTS LIST

DESCRIPTION	QTY	DESIGNATION	PART NUMBER
10MF 25V AX. TANT	3	C1,C2,C3	0886-00800-0700
2.7K OHM 1/4W RESIS.	6	R1,R2,R3,R4,R5,R6	100E-00006-0071
TIP110 XSTR	3	Q1,Q2,Q3	104E-00009-0001
AUTO INSERT PIN .025 SQ.	9	J1	0304-00804-0009
SNAP	3		0017-00007-0134
RAW PCB	1		A080-91877-AE68

REL. FOR PRODUCTION 10/17/86 B.F.

BALLY MIDWAY MFG. CO.

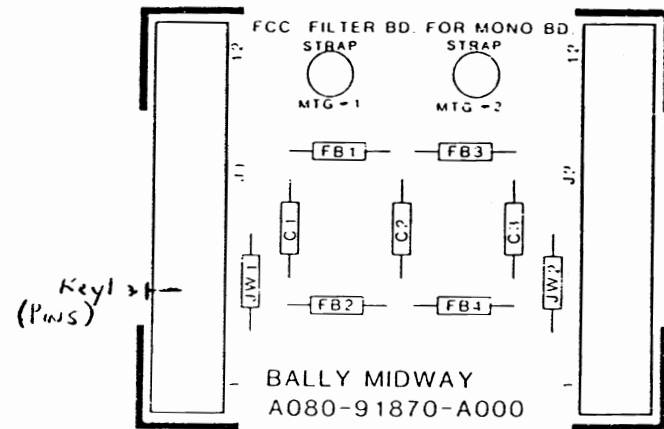
.062"	J.S.	LAMP CONTROL PC	ASSEMBLY DRWG. *
FR-400	10/01/86	A084-91877-AE68	<b>M051-00E68-A010</b>



NOTES:	BALLY MIDWAY MFG. CO.
C. MEDNICK	POWER DRIVE LAMP PC
25 SEP 1986	A084-91877-AE68
	M051-00E68-A010
	SHEET 1 OF 1 REV



FCC FILTER BOARD FOR MONOBOARD  
 PART NO. A084-91870-A000  
 M051-00E36-A161



DESIGNATION LIST

DESIGNATION NUMBER

DESCRIPTION

C1 - C3	.01 UF AX. CER.
FB1 - FB4	FERRITE BEAD
J1	CONNECTOR 12 PIN KK156 R/A
J2	HEADER 12 PIN KK156 R/A OMIT PIN 5
JW1 - JW2	JUMPER WIRE
KEY 1	KK156 KEY FOR PIN 5 OF J1

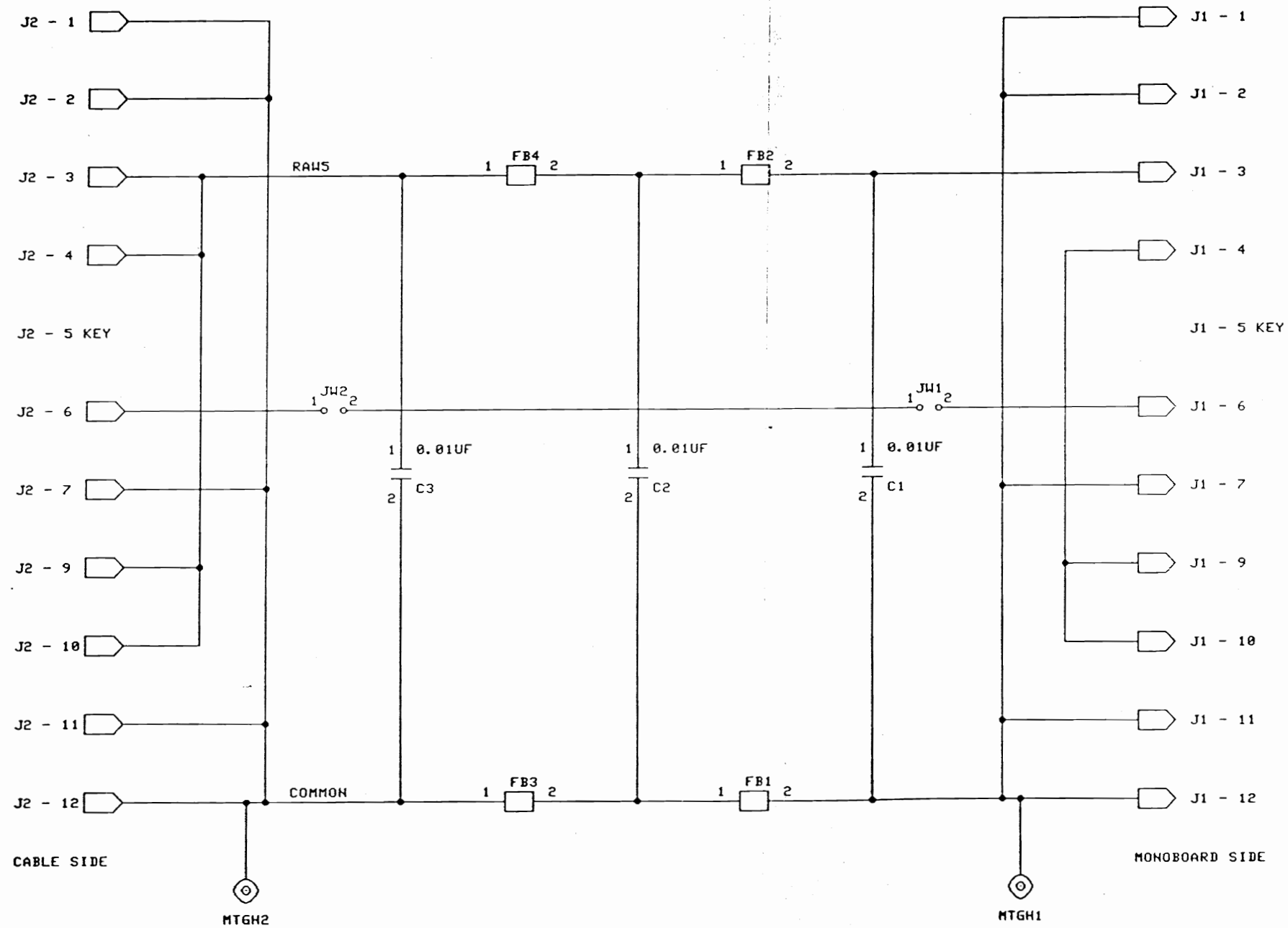
CROSS REFERENCE LIST

<u>DESCRIPTION</u>	<u>QTY.</u>	<u>DESIGNATION NO.</u>	<u>PART NOS.</u>
.01 UF AX. CER	3	C1 - C3	0360-00800-0005
FERRITE BEAD	4	FB1 - FB4	0316-00804-0002
HEADER 12 PIN KK156 R/A OMIT PIN 5	1	J2	0E36-00804-0002
CONNECTOR 12 PIN KK156 R/A	1	J1	0E36-00804-0001
JUMPER WIRE	2	JW1 - JW2	117E-00001-0003
KK156 KEY	1	KEY 1	0017-00021-1353
P.C. BOARD	1		A080-91870-A000

8/13/86 - Released for Production - CMM  
 8/14/86 - Rev. 1 - corrected J1, J2 designation reversed.

NO.	DESCRIPTION	DATE
1	Released For Production	8/13/86

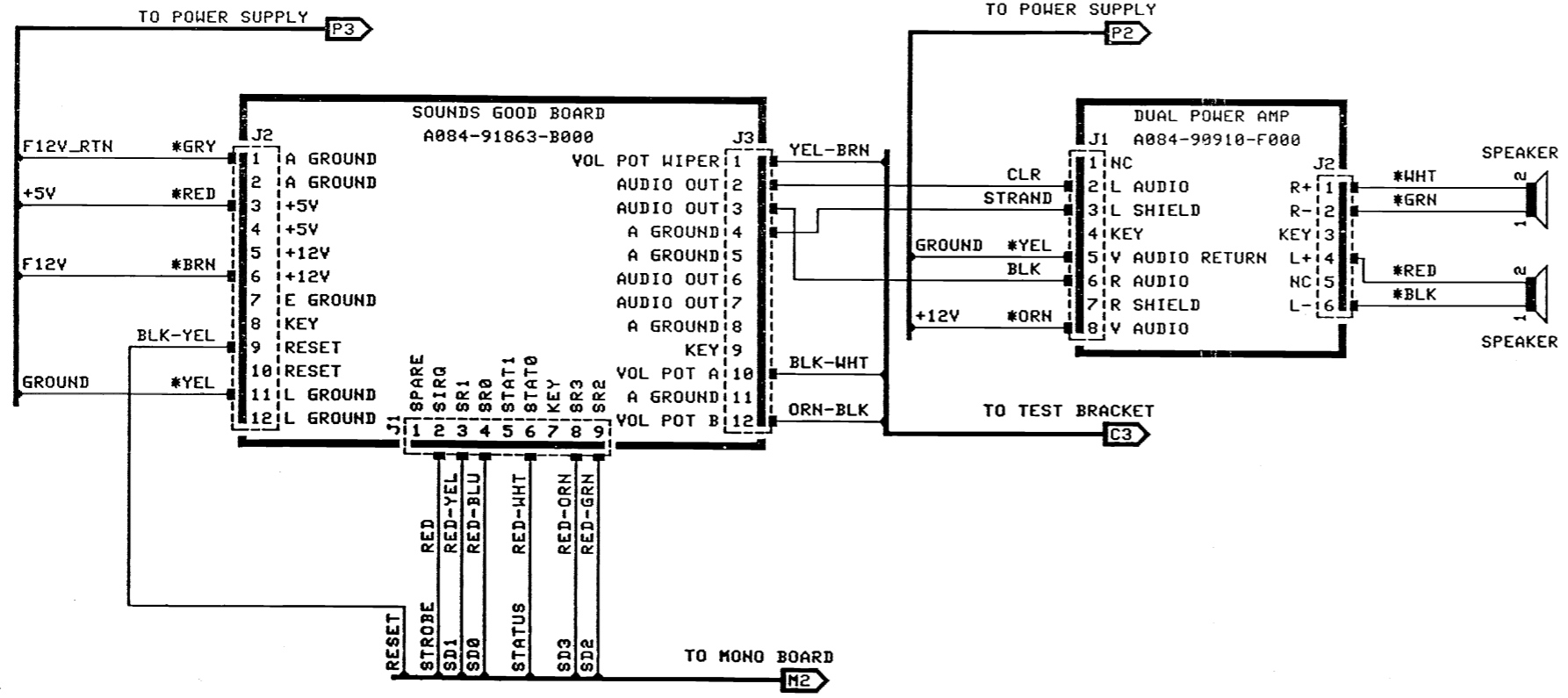
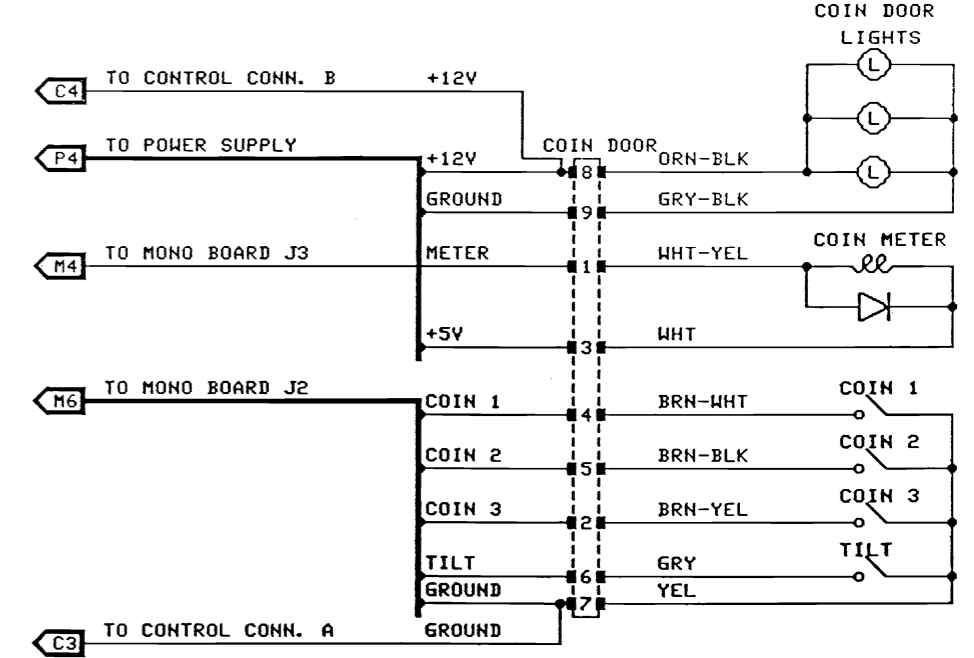
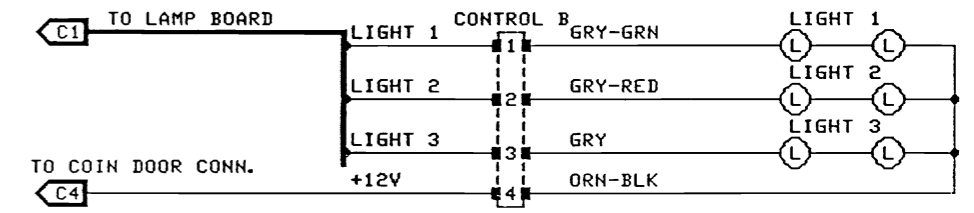
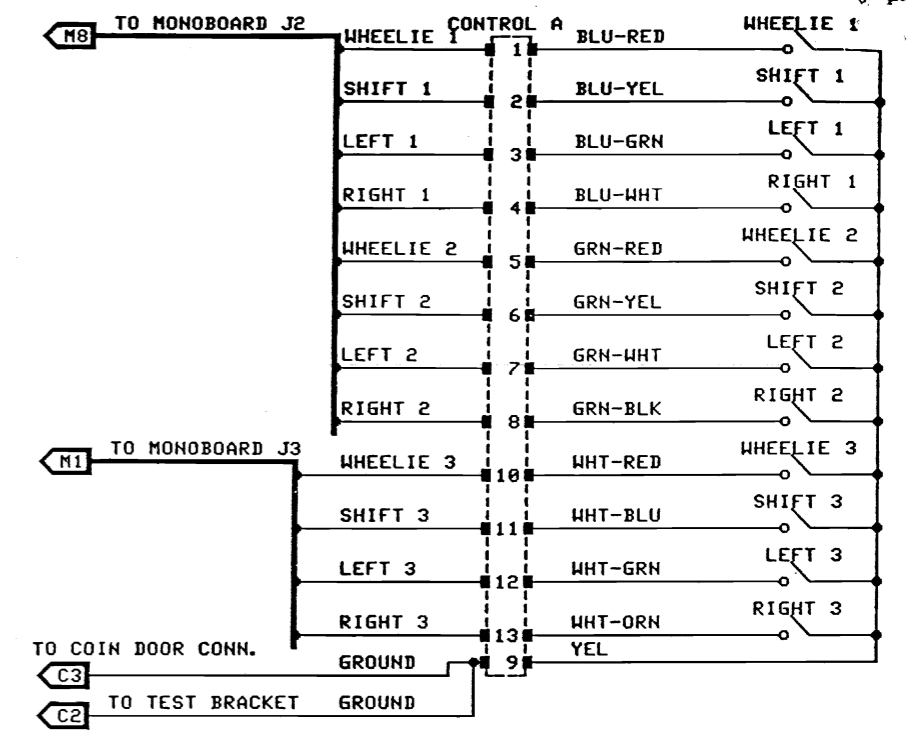
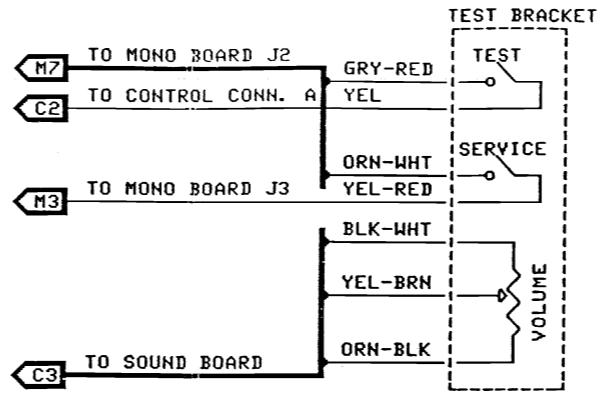
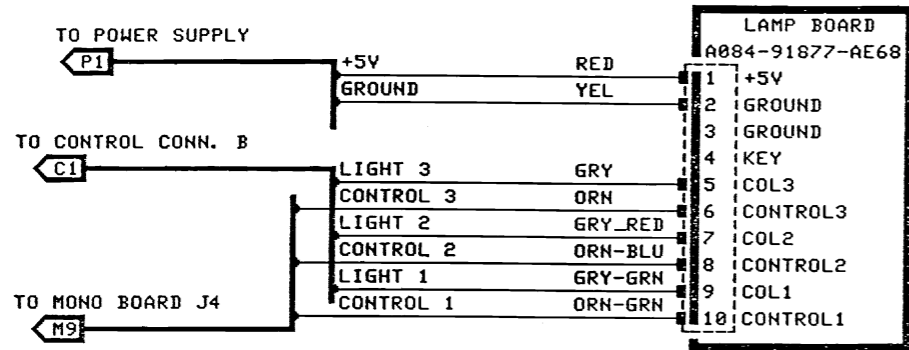
PROJECT ENG: C. MEDNICK		USED ON RAMPAGE		Bally / MIDWAY MFG. CO. FRANKLIN PK. ILL.
DO NOT SCALE DWG.		NO. REQ'D 1		
DIM. TOLERANCES UNLESS SPECIFIED		ASSEMBLY DRAWING		M051-00E36-A160
CONCENTRICITY F1.4 .003		FCC. FILTER FOR MONO BD.		
HOLE DIA. +.002-.000		(A084-91870-A000)		
DRW. DRC 8/12/86	CKD. CAC 2/2/86	DATE 8/13/86		



*Released per Production 5/13/96*

NOTES:	BALLY MIDWAY MFG. CO.
L. DEKKER	
8-11-86	FCC FILTER BOARD
	M051-00E36-A162
	A004-9107D-A000
	SHEET 1 OF 1 REV A





NOTES:  
\* = 18 AWG 300V

NOTES:	BALLY MIDWAY MFG. CO.
R. A. PLOUSSARD	POWER DRIVE
NOV 04 1986	CABINET WIRING
	M051-0368-A003
	SHEET 2 OF 2 REV