

GAME NO. 852 & 870  
JANUARY, 1980

# MIDWAY'S

# SPACE INVADERS DELUXE

# PARTS AND OPERATING MANUAL



NO. 852 UP-RIGHT



NO. 870 COCKTAIL



**MIDWAY MFG. CO.**

A BALLY COMPANY

10750 WEST GRAND AVENUE  
FRANKLIN PARK, ILLINOIS 60131  
U.S.A.

PHONE: (312) 451-1360 CABLE ADDRESS: MIDCO TELEX NO.: 72-1596

# TABLE OF CONTENTS

---

	Page No.
GENERAL INSTRUCTIONS-UP-RIGHT	1
GENERAL INSTRUCTIONS-COCKTAIL	2
SWITCH ADJUSTMENTS	3
NO. 852-SPACE INVADERS DELUXE UP-RIGHT-FRONT VIEW PICTURE	4-5
NO. 852-SPACE INVADERS DELUXE UP-RIGHT-BACK VIEW PICTURE	6-7
FLUORESCENT FIXTURE ASSEMBLY	8-9
PUSH BUTTON ASSEMBLY	10-11
NO. 852 ADDITIONAL PARTS LIST	12
NO. 870-SPACE INVADERS DELUXE COCKTAIL-PICTURES	13-15
CONTROL SHELF ASSEMBLY	16-17
NO. 870 ADDITIONAL PARTS LIST	18
FRONT DOOR ASSEMBLY	20-21
TRANSFORMER BOARD ASSEMBLY	22-23
GAME BOARD COMPONENTS LAYOUT	24
GAME BOARD SCHEMATIC	25
MOTHER BOARD COMPONENTS LAYOUT	26
MOTHER BOARD SCHEMATIC	27
WIRING SCHEMATIC-UP-RIGHT	28
WIRING SCHEMATIC-COCKTAIL	29
POWER SUPPLY COMPONENTS LAYOUT	30
POWER SUPPLY SCHEMATIC	31
MONITOR SCHEMATIC (MOTOROLA)	32
MOTOROLA REPLACEMENT PARTS LIST	33-34
MONITOR SCHEMATIC (WELLS-GARDNER)	35
WELLS-GARDNER REPLACEMENT PARTS LIST	36-37
WELLS-GARDNER MONITOR SCHEMATIC-COCKTAIL	38

## WARNING

**THIS GAME MUST BE GROUNDED. FAILURE TO DO SO MAY RESULT IN DESTRUCTION TO ELECTRONIC COMPONENTS.**

COPYRIGHT ©BY MIDWAY MFG. CO. ALL RIGHTS RESERVED.

NO PART OF THIS PUBLICATION MAY BE REPRODUCED BY ANY MECHANICAL, PHOTOGRAPHIC, OR ELECTRONIC PROCESS, OR IN THE FORM OF A PHONOGRAPHIC RECORDING, NOR MAY IT BE TRANSMITTED, OR OTHERWISE COPIED FOR PUBLIC OR PRIVATE USE, WITHOUT PERMISSION FROM THE PUBLISHER.

FOR PERMISSION REQUESTS, WRITE: MIDWAY MFG. CO., 10750 W. GRAND AVE., FRANKLIN PARK, IL 60131

## GENERAL INSTRUCTIONS FOR "DELUXE SPACE INVADERS"

### INSTALLATION

1. Remove shipping cleats located on bottom of cabinet.
2. Install 4 provided leg levelers to bottom of cabinet and level cabinet.
3. The power is controlled by a switch located on top of the cabinet. Plug into A.C. only, 115 volts, 60 cycles. In low line areas (105 volts or less), a boost in the output voltage of the transformer may be obtained by removing the wire from the 115 volt tap of the transformer and rewiring it to the 105 volt position.

### VOLTAGE CONTROL POTS

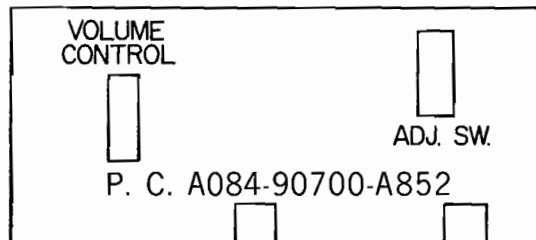
Located on power supply board (P.C. A082-90400-H000) and are preset at the factory. These pots should not be tampered with unless the Distributor Service Department is contacted.

### MASTER VOLUME CONTROL

Located on game logic board (P.C. A084-90700-A852) controls the volume of all sounds and may be varied as desired by rotating pots.

### ADJUSTMENT SWITCHES

Located on game logic board (A084-90700-A852) and may be adjusted as indicated on separate instruction sheet in back box area.



### TO REMOVE CONTROL PANEL FOR SERVICE

1. Open coin box door.
2. Unplug control panel jack located to the left of coin box opening.
3. Unlatch (2) clamps located on each side of cabinet.
4. Remove control panel for service.

### HIGH SCORE AND NAME DISPLAY PROGRAM

1. Place switch #2 located on Game Logic Board (P.C. A084-90700-A852) in "OFF" position.
2. Close coin switch to display one credit on screen.
3. Depress One Player Select Button. "Preset Mode" will be displayed on screen.
4. Depress One Player Select Button again to increase score until previous Hi Score is beaten.
5. Depress Fire Button to start game. When all laser bases have been destroyed, the alphabet will be displayed on the screen. A new name may now be programmed on the screen as indicated by instructions on Control Panel.
6. Place switch #2 located on Game Logic Board (P.C. A084-90700-A852) in "ON" position to reestablish game mode.

NOTE: To reset Hi-Score (to 5000) and Name Display, depress "ON-OFF" switch.

## GENERAL INSTRUCTIONS FOR DELUXE "SPACE INVADERS" COCKTAIL TABLE

### INSTALLATION

1. Remove shipping cleats located on bottom of cabinet.
2. Install four (4) provided leg levelers to bottom of cabinet and level cabinet
3. The power is controlled by a switch located on the bottom of the cabinet. Plug into A.C. only, 115 volts, 60 cycles. In low line areas (105 volts or less), a boost in the output voltage of the transformer may be obtained by removing the wire from the 115 volt tap of the transformer and rewiring it to the 105 volt position.

### VOLTAGE CONTROL POTS

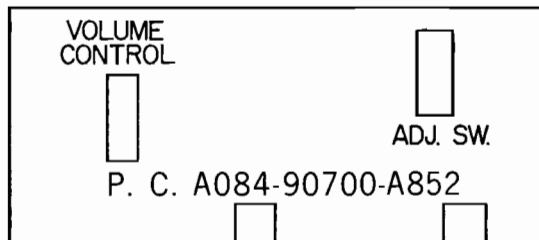
Located on Power Supply Board (P.C. A082-90400-H000) and are preset at the factory. These pots should not be tampered with unless the Distributor Service Department is contacted.

### MASTER VOLUME CONTROL

Located on Game Logic Board (P.C. A084-90700-A852) controls the volume of all sounds and may be varied as desired by rotating pot.

### ADJUSTMENT SWITCHES

Located on Game Logic Board (P.C. A084-90700-A852) and may be adjusted as indicated on separate instruction sheet in cabinet.



### LINE VOLTAGE SAFETY SWITCH

A line voltage safety switch has been provided for your protection. It is located in the cabinet on the left side of the coin door. When the coin door is opened the circuit to the line voltage is interrupted. To restore power (when servicing), pull switch fully out.

### TO SERVICE GAME LOGIC BOARD

The game logic board assembly is easily serviced by removing rear access door panel.

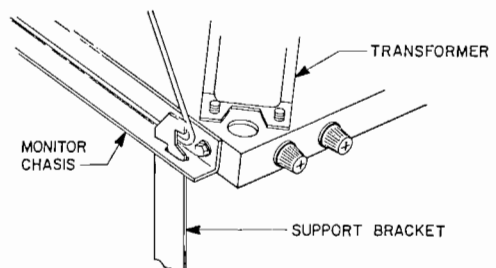
### HIGH SCORE AND NAME DISPLAY PROGRAM

1. Place switch #2 located on Game Logic Board (P.C. A084-90700-A852) in "OFF" position.
2. Close coin switch to display one credit on screen.
3. Depress One Player Select Button. "Preset Mode" will be displayed on screen.
4. Depress One Player Select Button again to increase score until previous Hi Score is beaten.
5. Depress Fire Button to start game. When all laser bases have been destroyed, the alphabet will be displayed on the screen. A new name may now be programmed on the screen as indicated by instructions on Control Panel.
6. Place switch #2 located on Game Logic Board (P.C. A084-90700-A852) in "ON" position to reestablish game mode.

NOTE: To reset Hi-Score (to 5,000) and Name Display, depress "ON-OFF" switch.

### TO SERVICE MONITOR

1. Open coin box door.
2. Release two clamps located above coin door opening.  
**CAUTION: NEVER RELEASE CLAMPS UNLESS THE LINE VOLTAGE IS INTERRUPTED VIA SAFETY SWITCH.**
3. Rotate top panel on its hinges to an upright position.
4. Place Monitor Support Bracket (located on left cabinet wall) in provided hole in monitor chassis.
5. To restore power to monitor, pull safety switch fully out.



---

**ADJUSTMENT SWITCHES**

---

COIN INFORMATION DISPLAYED ON SCREEN	SW. 1 ON
COIN INFORMATION IS NOT DISPLAYED ON SCREEN	OFF

---

**GAME – RECORD NAME**

---

GAME MODE	SW. 2 ON
RECORD NAME (SEE GENERAL INSTRUCTIONS)	OFF

---

**LASER BASES**

---

3 LASER BASES PER GAME	SW. 4 ON
4 LASER BASES PER GAME	OFF

---

**GAME SELECTION**

---

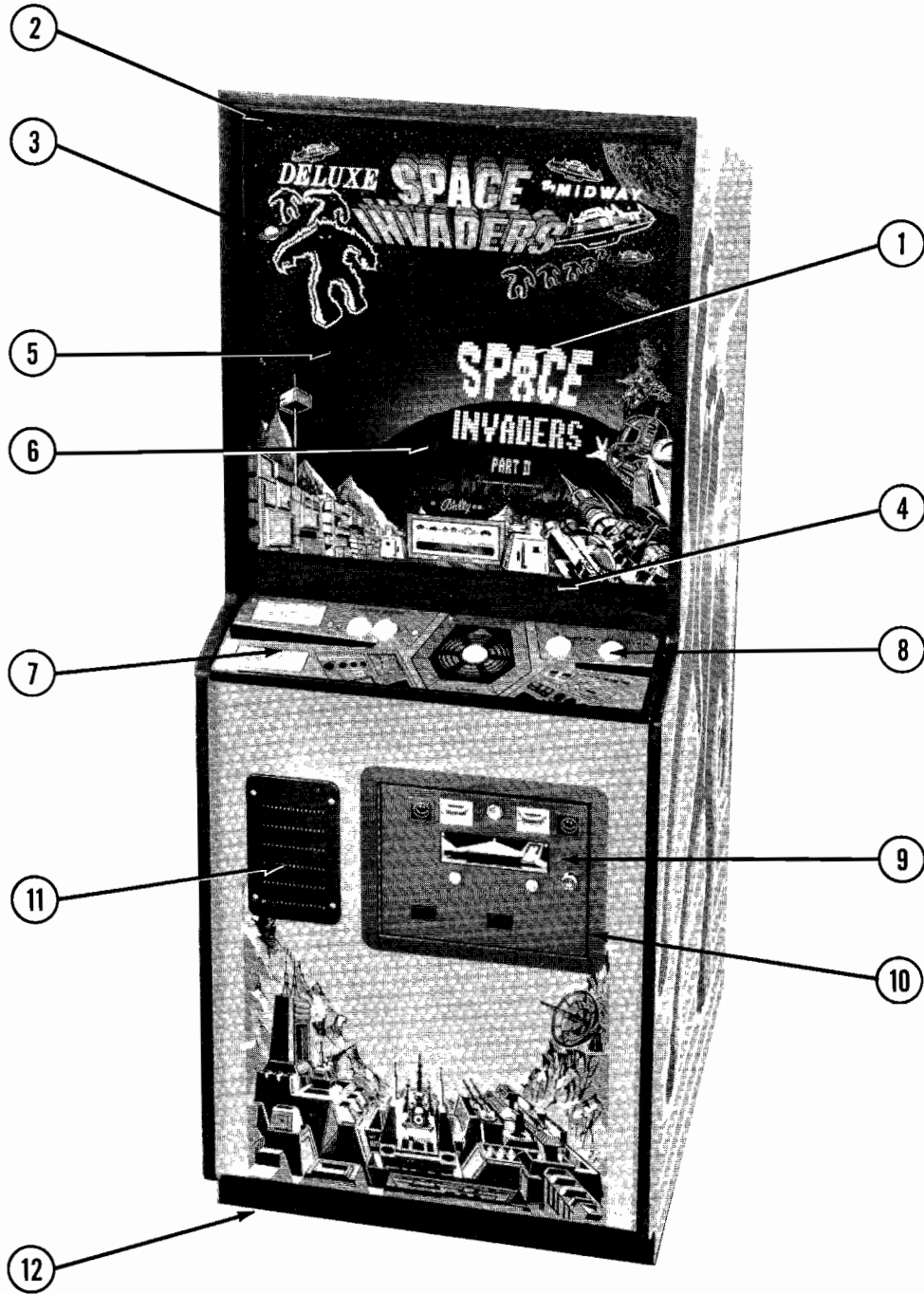
	SW. 5	SW. 6	SW. 7
UPRIGHT MODEL	ON	ON	ON
COCKTAIL MODEL	OFF	OFF	OFF

---

NOTE: SWS. 3 AND 8 ARE NOT USED THERE IS NO RAM/ROM TEST

M051-00852-A005

**NO. 852 – SPACE INVADERS DELUXE UPRIGHT – PICTURE**

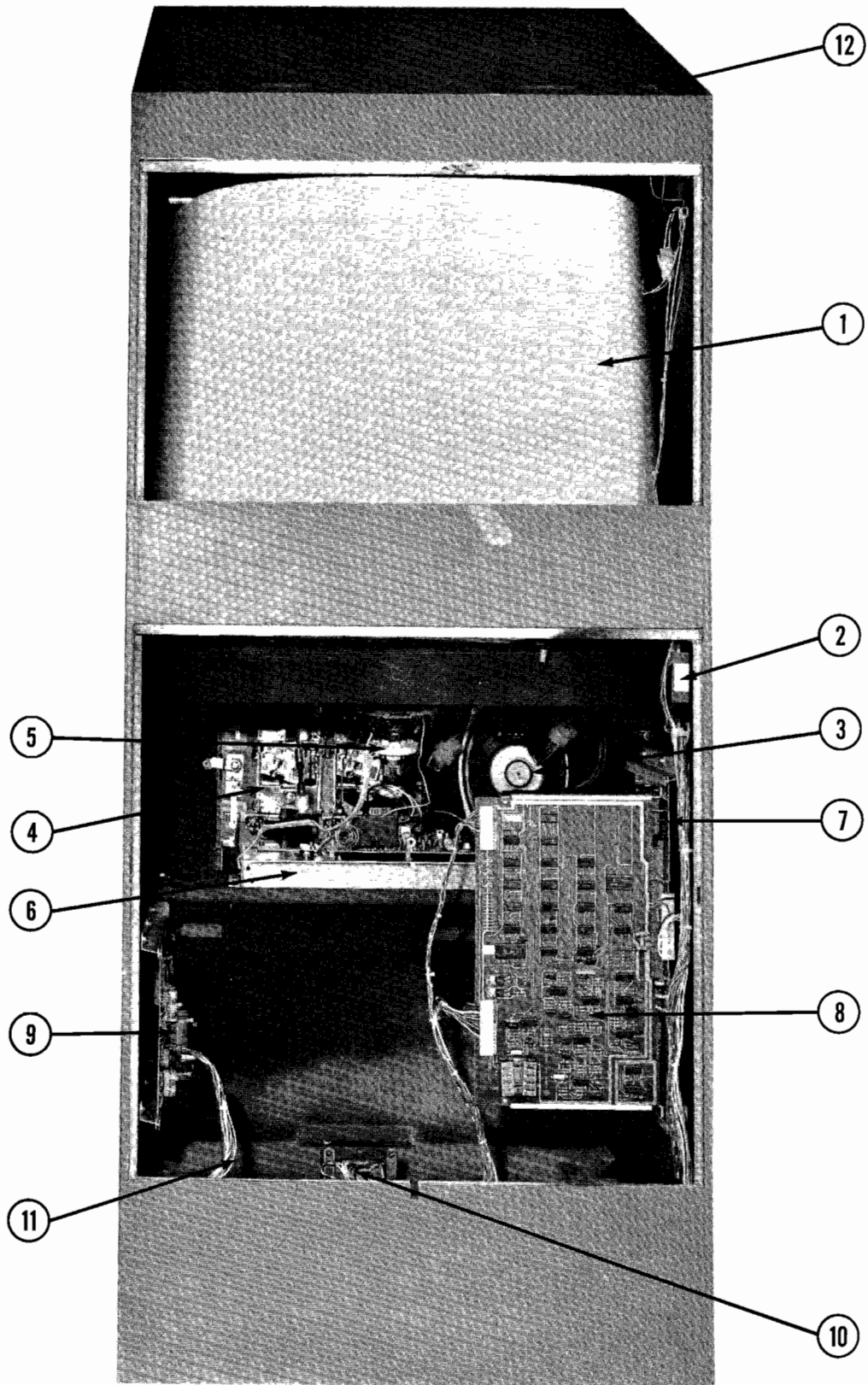


**NO. 852 – SPACE INVADERS DELUXE UPRIGHT – PICTURE**

***ORDER BY PART NUMBER ONLY***

<b>ITEM</b>	<b>PART NO</b>	<b>DESCRIPTION</b>
1	0852-00901-01XF	SEE THRU DISPLAY – 25-5/16" x 24-7/8" x 3/16"
2	0537-00903-0015	GLASS CHANNEL 24-1/4" LG.
3	0537-00903-0011	GLASS CHANNEL 26-1/4" LG. (2 REQ'D.)
4	0629-00902-0100	GLASS LIFT CHANNEL – 24" LG.
5	0852-00903-00XF	BACKGROUND SCENERY CARD
6	0852-00902-00XF	PLANET ARTWORK
7	0852-00907-00XF	CONTROL SHELF OVERLAY
	0017-00101-0639	#8 - 32 x 1-1/4 CARRIAGE BOLTS (6 REQ'D.)
	0017-00104-0022	#8 WASHER (6 REQ'D.)
	0017-00103-0061	#8 - 32 HEX LOCKNUT SEMS. (6 REQ'D.)
8	A739-00012-0000	PUSH BUTTON ASSY. (5 REQ'D.)
9	A090-00002-2001	DOUBLE ENTRY COIN DOOR ASSY.
	0017-00003-0102	COUNTER METER 6 V., 4 W.
10	0090-00002-02GR	DOUBLE ENTRY COIN DOOR FRAME ASSY.
	0017-00101-0555	#6 - 32 x 5/16 HEX HD. S.M.S. (3 REQ'D.)
11	0017-00009-0393	BLK. SPEAKER GRILL W/4 1-1/2" SCR.
	0017-00003-0187	6" x 9" SPEAKER 8 OHM, 9W.
12	0017-00102-0048	LEG LEVELERS (4 REQ'D.)
	0017-00103-0026	LEG LEVELER NUTS (4 REQ'D.)
		<b><u>NOT SHOWN LIST</u></b>
	0017-00009-0033	BASSICK CLAMP (2 REQ'D.)
	0603-00131-0000	STRIKE (2 REQ'D.)
	0739-00902-0000	MIRROPANE MIRROR 24-13/16 x 23-3/4 x 1/4
	0739-00102-0000	GLASS LOCK BRKTS. (2 REQ'D.)
	0739-00905-0000	CARDBOARD BEZEL
	0739-00906-0000	SCREEN OVERLAY 13" x 4-1/2"
	A739-00007-0000	DISPLAY INSERT ASSY.
	0017-00031-0002	LAMP SOCKETS (5 REQ'D.)
	0017-00003-0052	LAMPS (5 REQ'D.)
	0017-00041-0037	SPONGE RUBBER TAPE – 24" LG.

**NO. 852 – SPACE INVADERS DELUXE – BACK VIEW PICTURE**



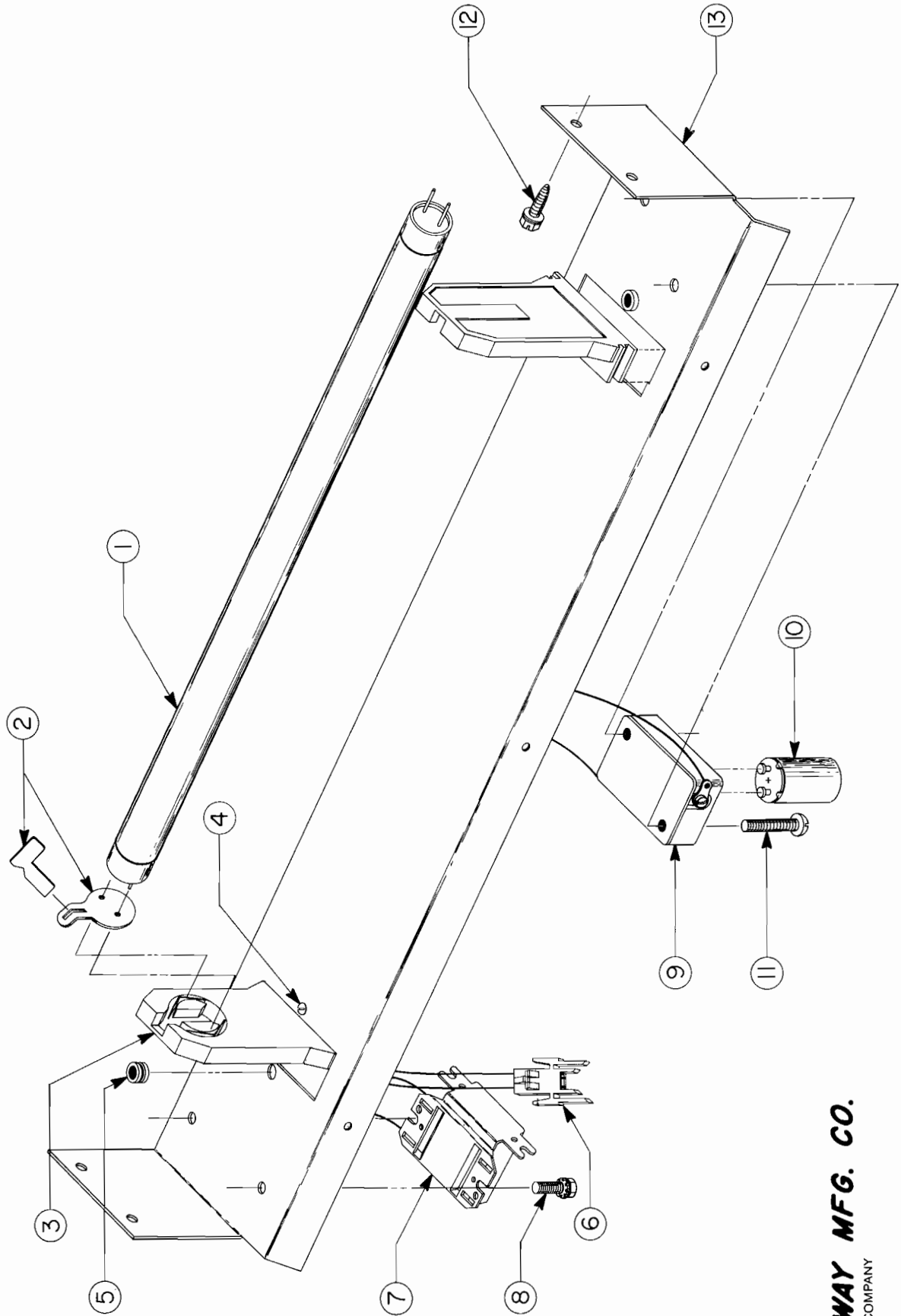


NO. 852 – SPACE INVADERS DELUXE – BACK VIEW PICTURE

*ORDER BY PART NUMBER ONLY*

ITEM	PART NO	DESCRIPTION
1	0852-00903-00XF	BACKGROUND SCENERY CARD
2	0017-00003-0225	CHEAT INTERLOCK SWITCH 125 V., 10 A.
	0625-00133-00XF	INTERLOCK SW. MTG. BRKT.
3	0017-00003-0187	6" x 9" SPEAKER 8 OHM, 9 W.
4	A090-00002-2001	DOUBLE ENTRY COIN DOOR ASSY.
5	0017-00003-0164	19" CATHODE RAY TUBE (C.R.T.)
6	0017-00003-0212	19" MONITOR CHASSIS W/YOKE
	0592-00104-0100	CHASSIS MTG. BRKT. – R.H.
	0592-00104-0200	CHASSIS MTG. BRKT. – L.H.
	0161-00100-0000	T.V. MTG. WASHER (4 REQ'D.)
	0017-00101-0639	#8 - 32 x 1-1/4 CARRIAGE BOLT (4 TUBE, 4 CHASSIS)
	0017-00104-0022	#8 WASHER (4 TUBE, 4 CHASSIS)
	0017-00103-0061	#8 - 32 HEX LOCKNUT SEMS. (4 TUBE, 4 CHASSIS)
	A739-00010-0000	DAG SPRING ASSY.
	3000-17155-0000	GROUND STRAPS
	0080-00101-0000	HIGH VOLTAGE SHIELD
7	A084-90000-L852	MOTHER BOARD ASSY.
8	A084-90700-A852	GAME BOARD ASSY.
	0597-00012-0100	P.C. SUPPORT BRKT. ASSY. – R.H.
	0597-00012-0200	P.C. SUPPORT BRKT. ASSY. – L.H.
9	A082-90400-H000	POWER SUPPLY BOARD ASSY.
	0624-00902-0100	P.C. SUPPORT BRKT. – 12" (4 REQ'D.)
	0624-00902-0300	P.C. SUPPORT BRKT. – 2-1/2" (4 REQ'D.)
10	A852-00010-0000	TRANSFORMER BOARD ASSY.
11	A852-00018-0000	MASTER CABLE ASSY'
12	0586-00036-0000	ON-OFF SWITCH
	0567-00106-0100	SWITCH MTG. BRKT.

**NO. 852 -- SPACE INVADER DELUXE -- FLUORESCENT FIXTURE ASSEMBLY**

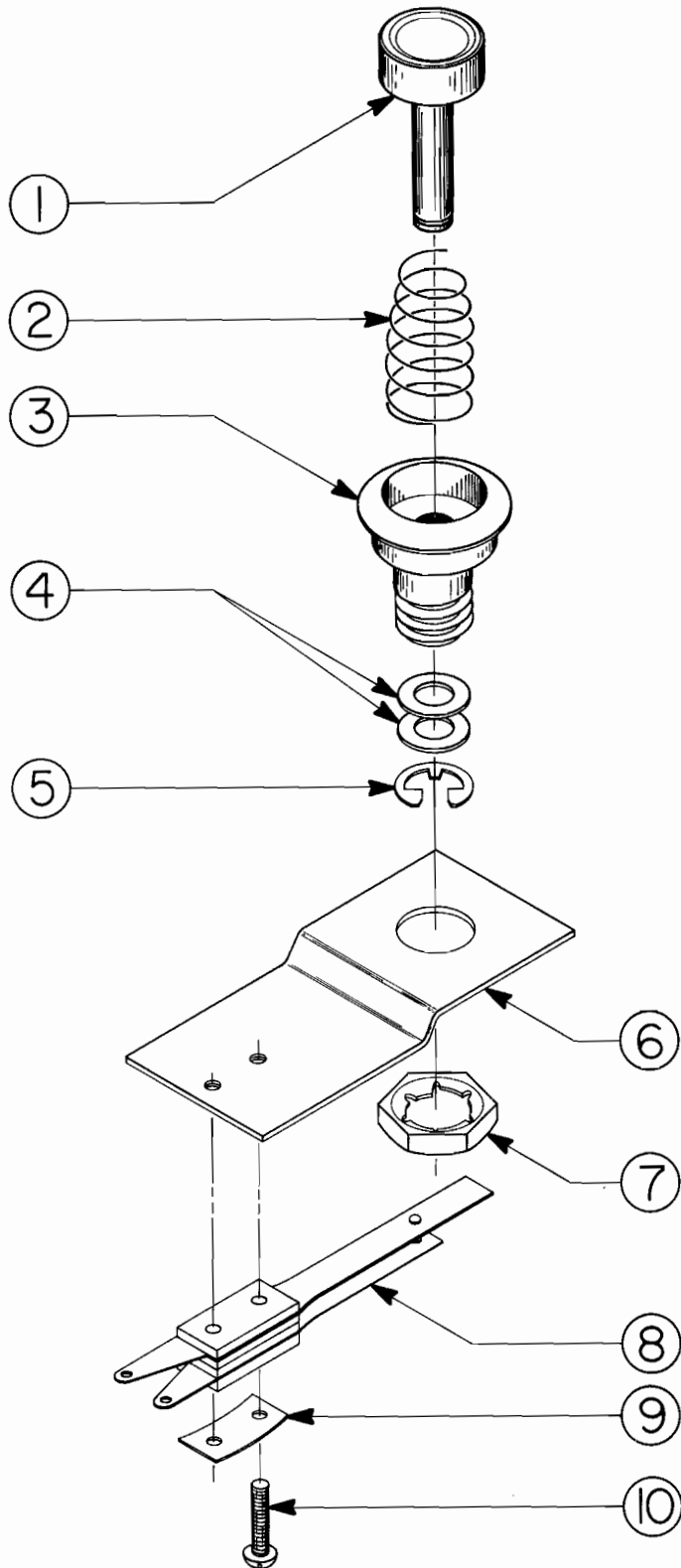


**NO. 852 – SPACE INVADER DELUXE – FLUORESCENT FIXTURE ASSEMBLY**

***ORDER BY PART NUMBER ONLY***

ITEM	PART N <sup>o</sup>	DESCRIPTION
1	0017-00003-0046	18" FLUORESCENT LAMP (BLACK LIGHT)
2	0017-00021-0005	FLUORESCENT LOCKS (2 REQ'D.)
3	0017-00031-0036	LAMP HOLDERS (2 REQ'D.)
4	0017-00101-0573	#6 - 32 x 1/2 SLT. RND. HD. M.S. (2 REQ'D.)
5	0017-00041-0013	GROMMETS (2 REQ'D')
6	0017-00021-0096	2 TERMINAL JACK – FEMALE
7	0017-00003-0026	BALLAST
8	0017-00101-0593	#8 - 32 x 1/4 PAN HD. EXT. SEMS. M.S. (2 REQ'D.)
9	0017-00021-0079	STARTER HOLDER
10	0017-00003-0019	STARTER
11	0017-00101-0528	#5 - 40 x 3/4 R.H.M.S. (2 REQ'D.)
12	0017-00101-0025	#8 x 1/2 HEX HD. WD. SCR. (4 REQ'D.)
13	0739-00100-0000	FLUORESCENT BRKT.
		<b><u>NOT SHOWN LIST</u></b>
	0852-00902-00XF	PLANET ARTWORK
	0017-00101-0598	#8 - 32 x 5/16 HEX HD. S.T.M.S. (3 REQ'D.) (MOUNTS PLANET ARTWORK TO FLUOR. BRKT.)

**NO. 852 – SPACE INVADERS DELUXE – PUSH BUTTON ASSY.**



**NO. 852 – SPACE INVADERS DELUXE – PUSH BUTTON ASSY.**

***ORDER BY PART NUMBER ONLY***

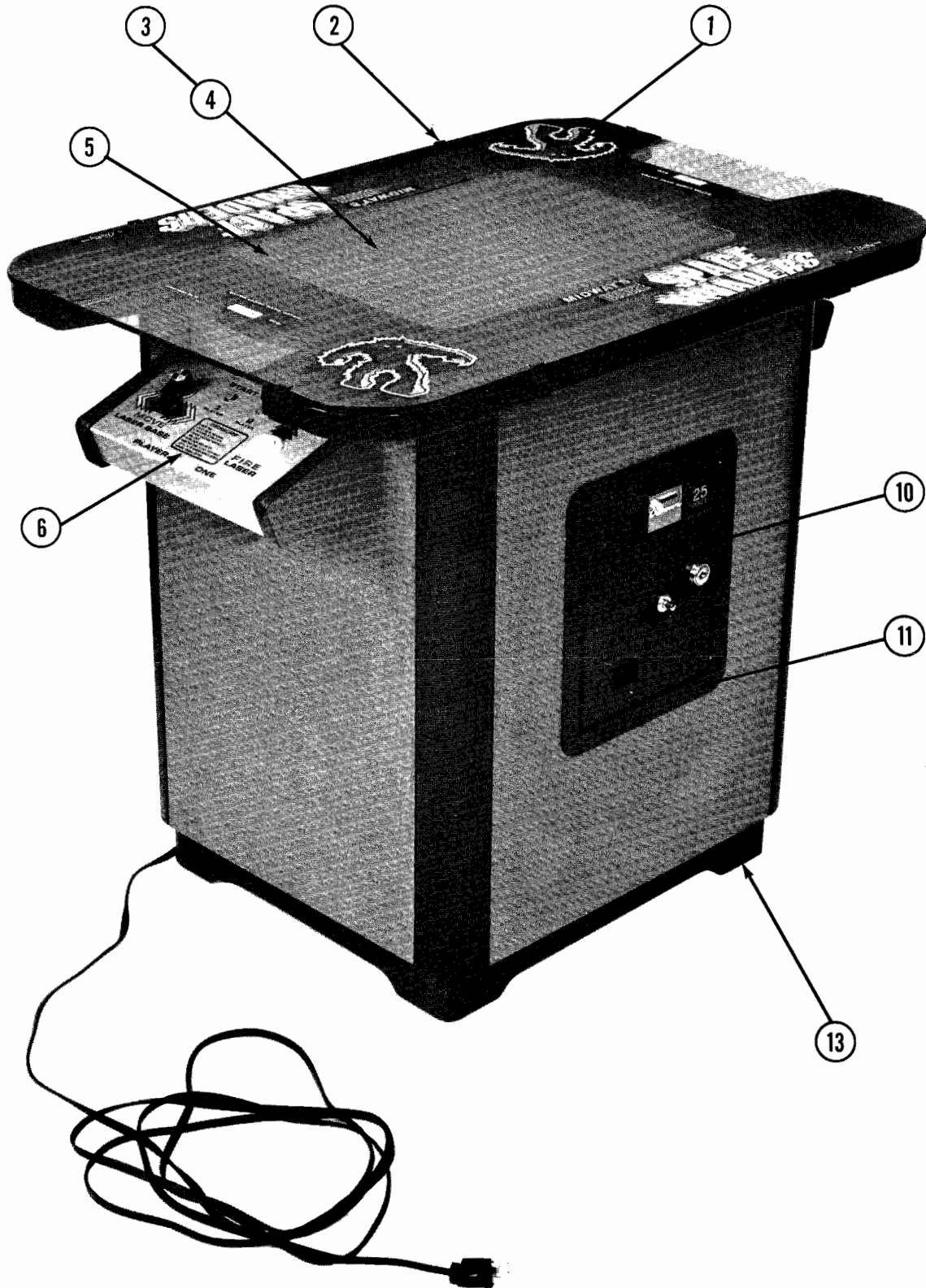
ITEM	PART N <sup>o</sup>	DESCRIPTION
1	0017-00009-0384	BUTTON
2	0010-00593-0000	SPRING
3	0017-00009-0376	BUTTON HOUSING
4	0017-00104-0028	FLAT WASHER (2 REQ'D.)
5	0017-00100-0025	E-RING
	A739-00012-0000	PUSH BUTTON ASSY. (FIRST 5 ITEMS)
6	0586-00107-0000	MOUNTING BRKT.
7	0017-00103-0054	PAL NUT
8	A739-00016-0000	SWITCH ASSY.
9	0020-00202-0000	SWITCH PLATE
10	0017-00101-0526	#5 - 40 x 9/16 PHIL. HD. M.S. (2 REQ'D.)
		NOTE: 5 PUSH BUTTONS PER GAME

NO. 852 – SPACE INVADERS DELUXE UPRIGHT – ADDITIONAL PARTS LIST

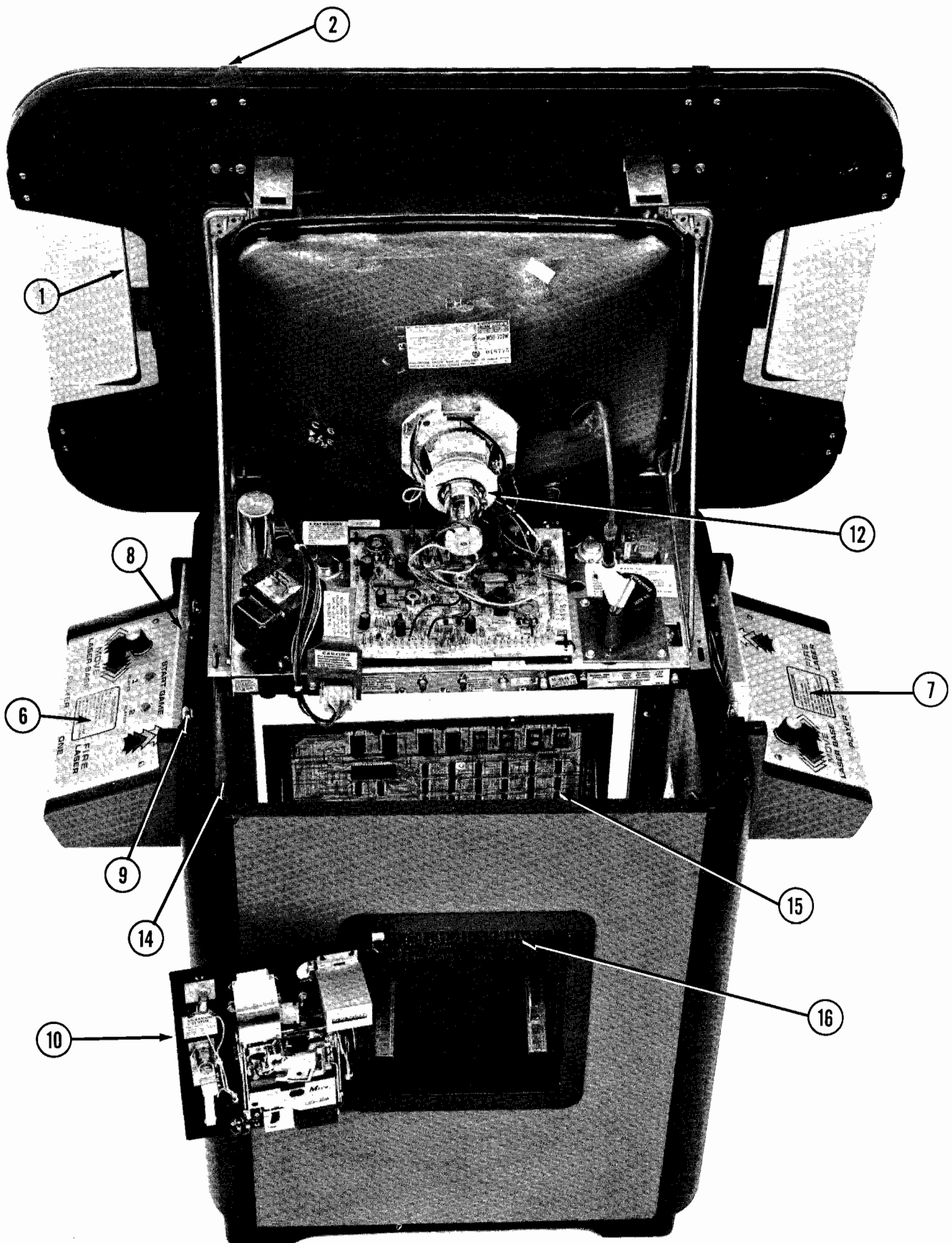
*ORDER BY PART NUMBER ONLY*

ITEM	PART N <sup>o</sup>	DESCRIPTION
	A852-00003-0000	LOWER BACK DOOR ASSY.
	A852-00004-0000	UPPER BACK DOOR ASSY.
	A097-00001-0000	LOCK ASSY. (1 UPPER, 1 LOWER)
	0618-00117-0000	VENT SCREEN (2 UPPER, 2 LOWER)
	A623-00013-0000	CASH BOX COVER ASSY.
	A623-00110-0000	CASH BOX ASSY.
	A624-00001-0000	CASH BOX GUIDE BRKT. ASSY.
	0624-00101-0000	CASH BOX SIDE CHANNEL
	0017-00101-0628	#8 - 32 x 3/4 CARRIAGE BOLTS (4 REQ'D.)
	0017-00104-0022	#8 STEEL WASHER (4 REQ'D.)
	0017-00103-0061	#8 - 32 LOCKNUT SEMS. (4 REQ'D.)
	0017-00009-0009	TURN BUTTONS (2 REQ'D.)
	M052-00190-0001	TRANSPARENT TAPE (ORANGE) – 13" x 1"

**NO. 870 – SPACE INVADERS DELUXE COCKTAIL – PICTURE**



**NO. 870 – SPACE INVADERS DELUXE COCKTAIL – PICTURE**



**MIDWAY MFG. CO.**  
A BALLY COMPANY

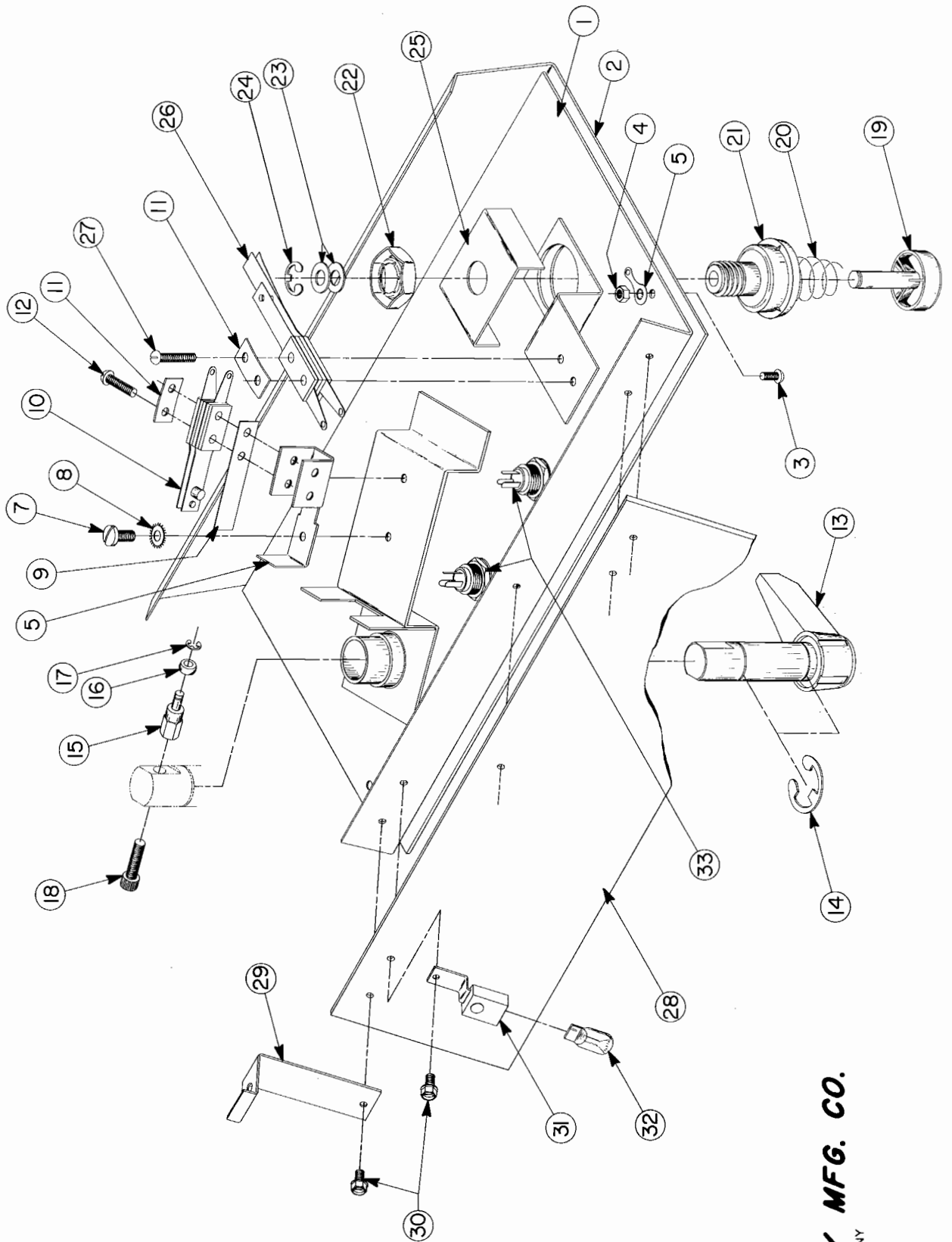


**NO. 870 – SPACE INVADERS DELUXE COCKTAIL – PICTURES**

***ORDER BY PART NUMBER ONLY***

<b>ITEM</b>	<b>PART NO</b>	<b>DESCRIPTION</b>
1	0870-00900-00XF	GLASS TOP
2	0775-00104-00XF	GLASS CLIPS (8 REQ'D.)
	0017-00101-0742	#8 x 1/2 PHL. TRUSS HD. S.M.S. (16 REQ'D.)
3	0851-00905-0000	PLEXI SCREEN OVERLAY
4	0870-00901-0000	RED - YELLOW - GREEN SCREEN OVERLAY
5	0870-00902-0000	T.V. BEZEL (CARDBOARD)
6	0775-00106-00XF	MAIN ESCUTCHEON
7	0775-00107-00XF	ESCUTCHEON – R.H.
	A775-00003-0000	SHELF PLATE ASSY. (2 REQ'D.)
8	0775-00901-0000	LIGHT SHIELD (2 REQ'D.)
	0775-00112-00XF	BKRT. DECAL (2 REQ'D.)
	0775-00100-00XF	SHELF BRKT. (4 REQ'D.)
	0017-00101-0017	#6 x 1/2 HEX HD. WD./W BLK. S.M.S. (4 REQ'D.)
9	0017-00003-0219	LAMP 14V. (4 REQ'D.)
	0017-00031-0044	LIGHT SOCKET (4 REQ'D.)
	0017-00101-0014	#6 x 1/2 HEX HD. WD./W S.M.S. (8 REQ'D.)
10	A090-00058-0000	FRONT DOOR ASSY. W/COIN METER
11	0090-00002-01BK	FRONT DOOR FRAME
12	0017-00003-0242	MONITOR & CHASSIS ASSY.
	0851-00100-00XF	TUBE BRKT. (4 REQ'D.)
	0017-00101-0082	#10 x 3/4 HEX HD. S.M.S. (8 REQ'D.)
13	0017-00102-0048	LEG LEVELERS (4 REQ'D.)
	0017-00103-0026	LEG LEVELER NUTS (4 REQ'D.)
14	0749-00105-00XF	PROP (ORANGE SUPPORT BRKT.)
15	A084-90000-L852	MOTHER BOARD ASSY.
16	A084-90700-A852	GAME BOARD ASSY.
		NOT SHOWN LIST
		SPEAKER ASSY.
	0017-00003-0187	SPEAKER (1 REQ'D.)
	0549-00128-00XF	SPEAKER GRILL (1 REQ'D.)
	0017-00041-0576	SPEAKER GASKET (1 REQ'D.)
	0547-00035-00XF	SPEAKER BEZEL (1 REQ'D.)
	0017-00101-0642	#8 - 32 x 1-1/2 CARRIAGE BOLTS (4 REQ'D.)
	0017-00103-0061	#8 - 32 HEX NUT SEMS. (8 REQ'D.)
	0017-00009-0393	VENT GRILL (1 REQ'D.)
	0017-00101-0639	#8 x 32 x 1-1/4 CARRIAGE BOLTS (4 REQ'D.)
		FAN ASSY.
	0017-00003-0222	FAN
	0775-00110-00XF	FAN PLATE
	0870-00100-00XF	VENT SCREEN
	0017-00101-0347	#6 - 32 x 1/2 PHIL. R.H.M.S. SEMS. (4 REQ'D.)
	0017-00104-0009	#6 EXT. WASHER (4 REQ'D.)
	0017-00103-0005	#6 - 32 HEX NUT (4 REQ'D.)
	0017-00101-0026	#8 x 5/8 SLOT. HEX HD. S.M.S. (4 REQ'D.)
	0017-00009-0033	BASSICK CLAMP (2 REQ'D.)
	0017-00101-0025	#8 x 1/2 HEX HD. S.M.S. (4 REQ'D.)
	0610-00132-0000	STRIKE (2 REQ'D.)
	0017-00101-0028	#8 x 3/4 HEX HD. S.M.S. (4 REQ'D.)
	0017-00009-0439	HINGE (TOP ASSY.) (2 REQ'D.)
	0017-00101-0082	#10 x 3/4 HEX HD. S.M.S. (4 REQ'D.)
	0017-00101-0014	#6 x 7/8 OVAL HD. WD. SCR. (2 REQ'D.)
	A749-00005-0000	INTERLOCK SWITCH ASSY.
	0017-00101-0026	#8 x 5/8 HEX HD. S.M.S. (3 REQ'D.)
	A627-00066-0000	ON-OFF SWITCH ASSY.
	0017-00101-0017	#6 x 1/2 HEX HD. S.M.S. (6 REQ'D.)

**NO. 870 - SPACE INVADER DELUXE COCKTAIL - CONTROL SHELF ASSY.**



**MIDWAY MFG. CO.**  
A BALLY COMPANY

NO. 870 – SPACE INVADER DELUXE COCKTAIL – CONTROL SHELF ASSY.

*ORDER BY PART NUMBER ONLY*

ITEM	PART N <sup>o</sup>	DESCRIPTION
1	A775-00003-0000	SHELF PLATE ASSY.
2	0775-00106-00XF	ESCUTCHEON – MAIN
2	0775-00107-00XF	ESCUTCHEON – R.H. PLAYER 2
3	0017-00101-0077	#6 - 32 x 5/16 PHIL. PAN HD. M.S. (2 REQ'D.)
4	0017-00103-0005	#6 - 32 HEX NUT (2 REQ'D.)
5	0017-00021-0002	#6 SOLDER LUG
6	0775-00101-00XF	SWITCH MTG. BRKT.
7	0017-00101-0517	#5 - 40 x 1/4 SLOT PAN HD. M.S. (2 REQ'D.)
8	0017-00104-0009	#6 EXT. LOCK WASHER (2 REQ'D.)
9	0020-00240-0010	TENSION LEAF, 010 (2 REQ'D.)
10	A775-00005-0000	SWITCH ASSY. (2 REQ'D.)
11	0020-00202-0000	SWITCH PLATE (3 REQ'D.)
12	0017-00101-0525	#5 - 40 x 9/16 SLOT RD. HD. M.S. (4 REQ'D.)
13	A869-00006-0000	KNOB & SHAFT ASSY.
14	0017-00100-0050	1/2 E-RING (2 REQ'D.)
15	0775-00701-00XF	POST
16	0775-00902-0000	ROLLER
17	0017-00100-0015	5/32 E-RING
18	0017-00101-0720	#10 - 32 x 3/4 SOCKET HD. CAP SCREW
19	0017-00009-0384	BUTTON
20	0010-00593-0000	SPRING
21	0017-00009-0376	HOUSING
22	0017-00103-0054	PAL NUT 5/8 – 11
23	0017-00104-0028	FLAT WASHER (2 REQ'D.)
24	0017-00100-0025	1/4 E-RING
	A739-00012-0000	PUSH BUTTON ASSY. (ITEMS 19-24)
25	0775-00105-00XF	SPACER
26	0586-00036-0000	PUSH BUTTON SWITCH ASSY.
27	0017-00101-0522	#5 - 40 x 7/16 SLOT RD. HD. M.S. (2 REQ'D.)
28	0775-00901-0000	LIGHT SHIELD
29	0775-00100-00XF	SHELF MTG. BRKT. (2 REQ'D.)
30	0017-00101-0014	#6 x 1/2 SLOT HEX HD. M.S. (5 REQ'D.)
31	0017-00031-0044	LAMP SOCKET (2 REQ'D.)
32	0017-00003-0219	LAMP #194 14V. 27A WEDGE (2 REQ'D.)
33	0017-00032-0051	BUTTON SWITCH (MAIN CONTROL ONLY) (2 REQ'D.)

NO. 870 – SPACE INVADER DELUXE COCKTAIL – ADDITIONAL PARTS LIST

*ORDER BY PART NUMBER ONLY*

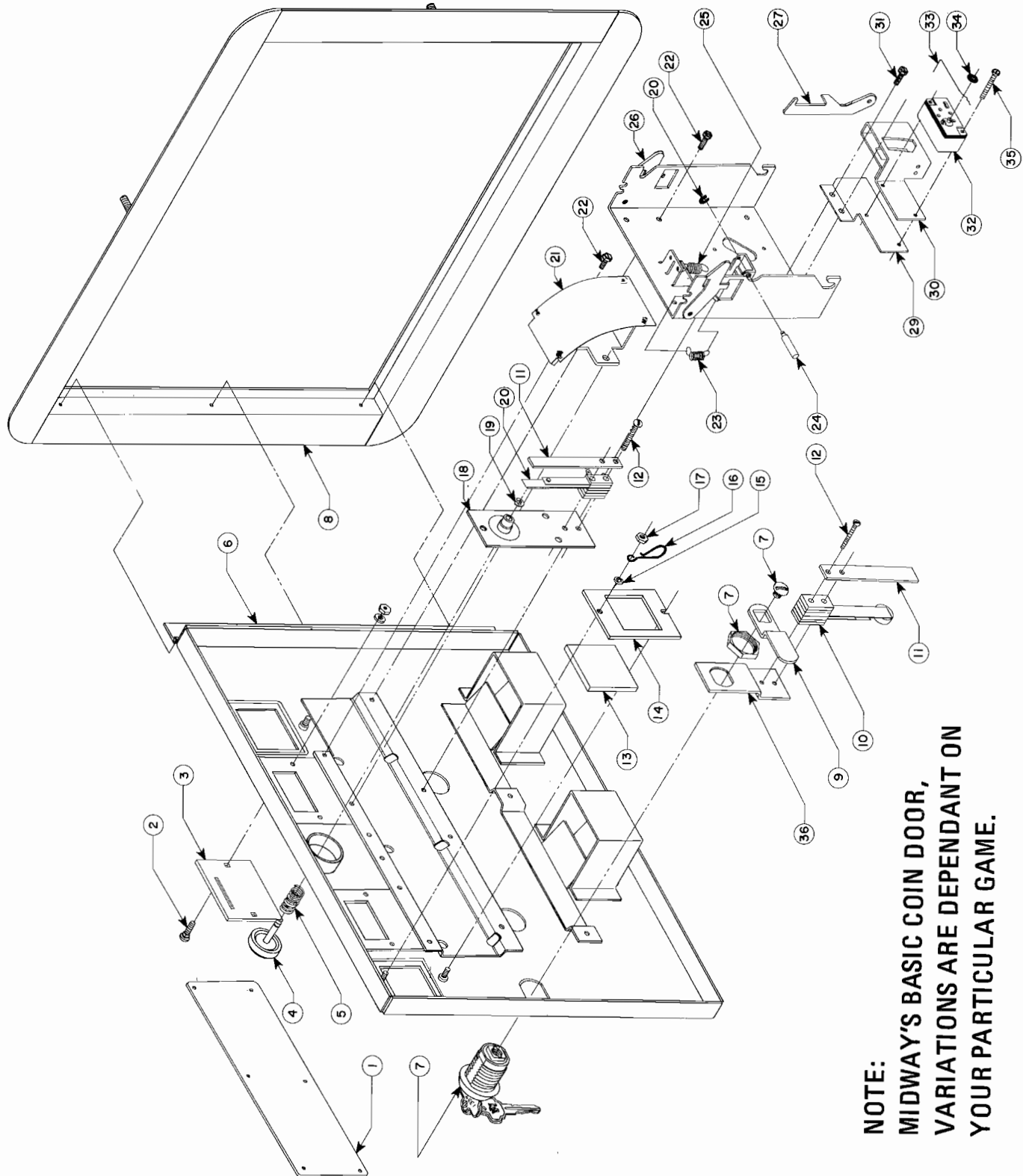
ITEM	PART NO	DESCRIPTION
	A097-00001-0000	LOCK ASSY.
	A749-00003-0000	CASH BOX ASSY.
	A627-00052-0000	CASH BOX COVER ASSY.
	0625-00117-0000	CASH BOX GUIDE
	A625-00024-0000	CASH BOX GUIDE BRKT. ASSY.
	0017-00101-0628	#8 - 32 x 3/4 CARRIAGE BOLTS (4 REQ'D.)
	0017-00103-0008	#8 - 32 HEX NUT (4 REQ'D.)
	A084-90700-A852	GAME BOARD P.C. ASSY.
	A084-90000-L852	MOTHER BOARD P.C. ASSY.
	A082-90400-H000	POWER SUPPLY ASSY.
	A749-00004-0000	TRANSFORMER BOARD ASSY.
	0624-00902-0100	P.C. SUPPORT BRKT. – 12" (4 REQ'D.)
	0624-00902-0500	P.C. SUPPORT BRKT. – 6-1/2" (2 REQ'D.)
	0624-00902-0400	P.C. SUPPORT BRKT. – 4" (6 REQ'D.)
	0624-00902-0300	P.C. SUPPORT BRKT. – 2-1/2"
	0597-00012-0100	P.C. SUPPORT BRKT. – R.H.
	0597-00012-0200	P.C. SUPPORT BRKT. – L.H.
	0017-00101-0028	#8 x 3/4 HEX HD. S.M.S. (22 REQ'D.)
	0017-00104-0037	3/4 x 3/16 x 1/16 STL. WASHER (22 REQ'D.)
	0017-00009-0419	PIN EXTRACTOR TOOL (PIN POPPER) (MOLAX JACKS ONLY)

# NOTES

---

This space is provided for personal notes

**NO. 852 & 870 – SPACE INVADERS DELUXE – FRONT DOOR ASSY.**



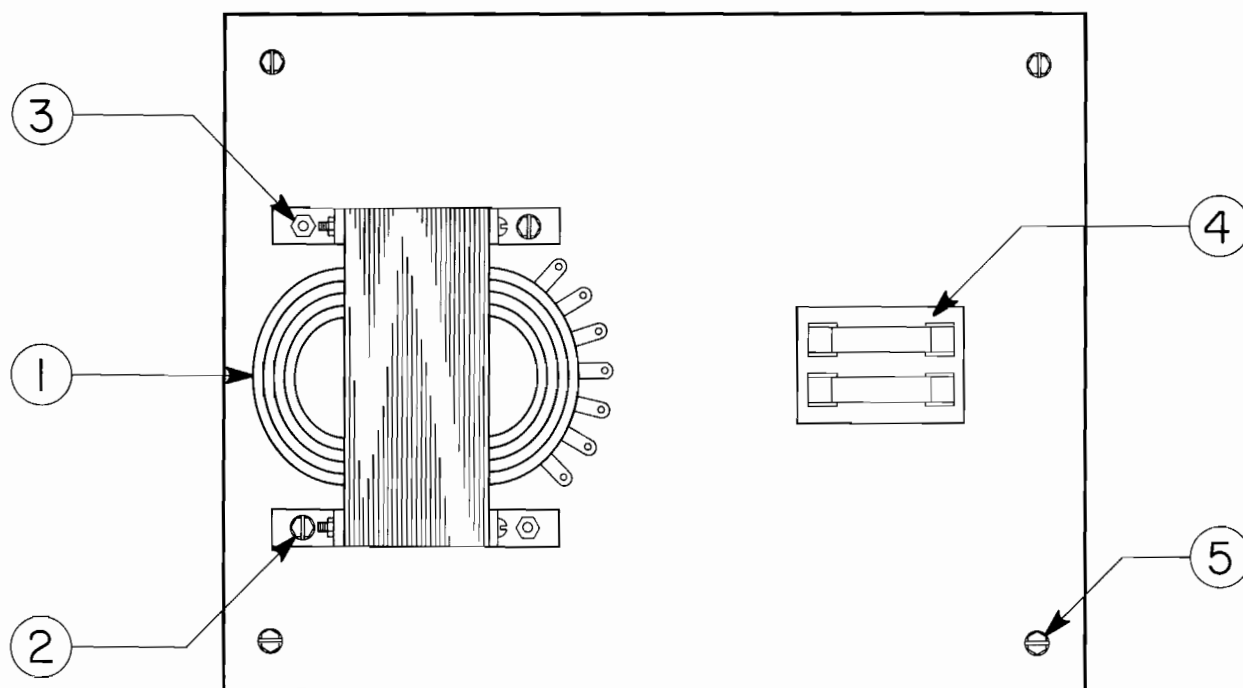
**NOTE:  
MIDWAY'S BASIC COIN DOOR,  
VARIATIONS ARE DEPENDANT ON  
YOUR PARTICULAR GAME.**

NO. 852 & 870 – SPACE INVADERS DELUXE – FRONT DOOR ASSY.

*ORDER BY PART NUMBER ONLY*

ITEM	PART N <sup>o</sup>	DESCRIPTION
1	0090-00902-0000 0090-00902-0100	DRESS PLATE DRESS PLATE (W/O PRESS BUTTON TO START GAME)
2	0017-00101-0552	#6 - 32 x 1/4 CARRIAGE BOLT (2)
3	0090-00117-03XF	COIN ENTRY PLATE (25¢)
4	0090-00906-0000	PLASTIC START BUTTON
5	0010-00007-0000	COMPRESSION SPRING
6	0090-00013-0200	DOOR ASSY. DOUBLE ENTRY
7	0017-00005-0050	DOOR LOCK & KEY WITH SCREW & NUT
8	0090-00002-02BR	DOUBLE DOOR FRAME
9	0017-00005-0041	421 N.S. CAM
10	0090-00901-0000	DOOR SWITCH
11	0090-00126-01XF	SWITCH BACKUP PLATE
12	0017-00101-0528	#5 - 40 x 3/4" LNG. M.S.
13	0090-00903-0040	25¢ WINDOW
14	0090-00143-0000	COIN PLEX RETAINER
15	0017-00104-0002	SPLIT LOCK WASHER
16	0017-00007-0019	KEY HOOK
17	0017-00103-0005	#6 - 32 HEX NUT
18	0090-00010-0000	SW. PLATE & OILLITE ASSY.
19	0017-00100-0018	"E" RING
20	0090-00131-0000	SWITCH
21	0090-00104-0000	TOP & BTM. COIN CHUTE W/BRKT. ASSY.
22	0017-00101-0598	#8 - 32 x 5/16 SCREW
23	0010-00181-0100	SPRING
24	0090-00129-00XF	PIVOT POST
25	0010-00134-0000	SPRING
26	0090-00008-0000	ACCEPTOR FRAME ASSY.
27	0093-00155-00XF	REJECTOR LEVER
28	0017-00100-0012	"E" RING
29	0093-00151-00XF	COIN GUIDE MTG. BRACKET
30	0090-00005-0000	COIN GUIDE ASSY.
31	0017-00101-0555	#6 - 32 x 5/16 SCREW
32	0017-00005-0039	COIN SWITCH
33	0010-00557-2500	TRIP WIRE
34	0017-00007-0132	PUSH-ON RING (BIK)
35	0017-00101-0507	#4 - 36 x 3/4 SCREW
36	0090-00128-00XF A090-00061-0000	SWITCH BRKT. – DOOR TILT OPTIONAL - ANTI-SPRING DEVICE ASSY. (REPLACES ITEM NO. 30)

**NO. 852 & 870 – SPACE INVADERS DELUXE – TRANSFORMER BOARD ASSY.**



**MIDWAY MFG. CO.**  
A BALLY COMPANY



**NO. 852 & 870 – SPACE INVADERS DELUXE – TRANSFORMER BOARD ASSY.**

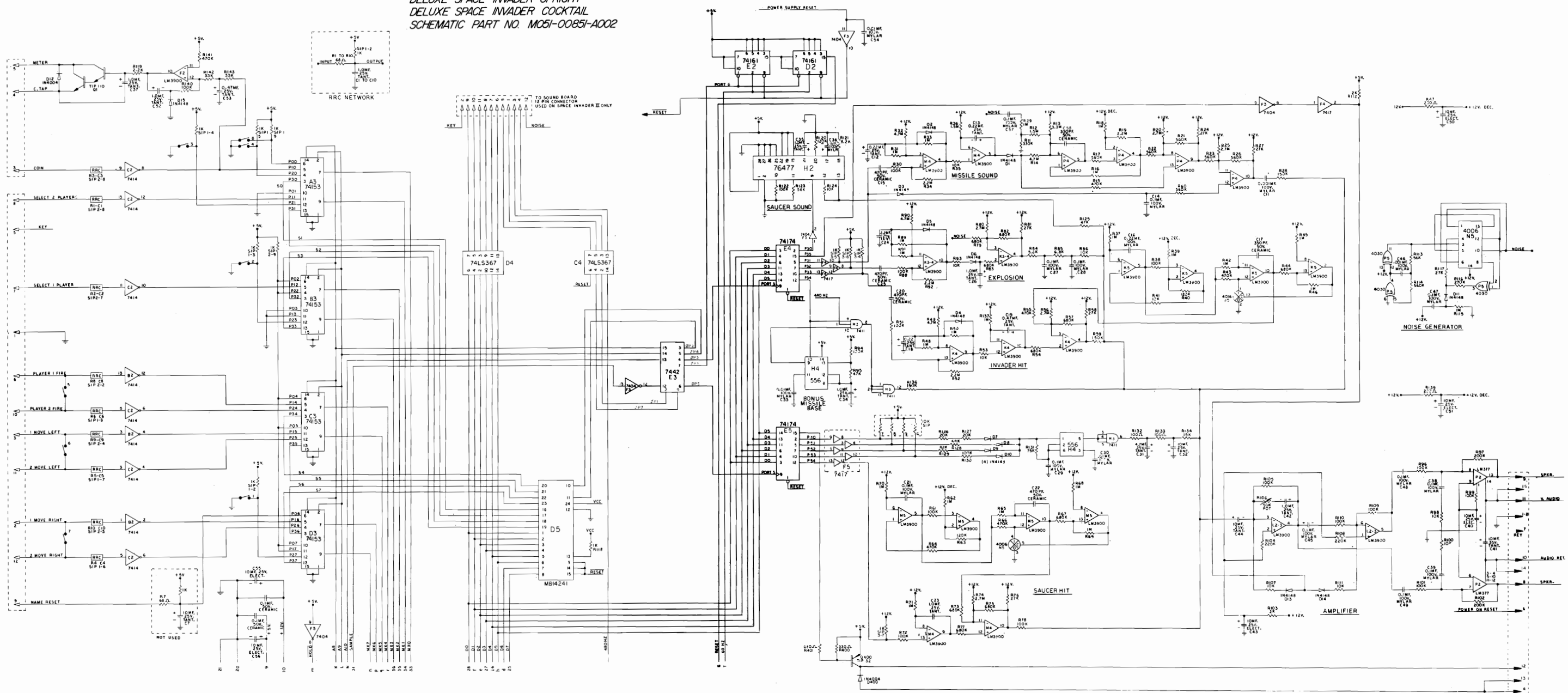
***ORDER BY PART NUMBER ONLY***

ITEM	PART N <sup>o</sup>	DESCRIPTION
1	MT00-00058-0000 MT00-00059-0000	TRANSFORMER – 60 CYCLE – DOMESTIC (OR) TRANSFORMER – 50 CYCLE – FOREIGN
2	0017-00101-0017	#6 x 1/2 SLT. HEX HD. WD. SCR. (2 REQ'D.)
3	0017-00101-0637 0017-00103-0008	#8 - 32 x 1" CARRIAGE BOLT (2 REQ'D.) WITH #8 - 32 HEX NUT (2 REQ'D.)
4	0720-00001-0200 0017-00003-0103 0017-00003-0006	2 POSITION FUSE BLOCK FUSE 1 AMP FUSE 3 AMP
5	0017-00101-0018 0017-00003-0064	#6 x 3/4 SLT. HEX HD. SCREW (5 REQ'D.) 16 FT. LINE CORD – NOT SHOWN

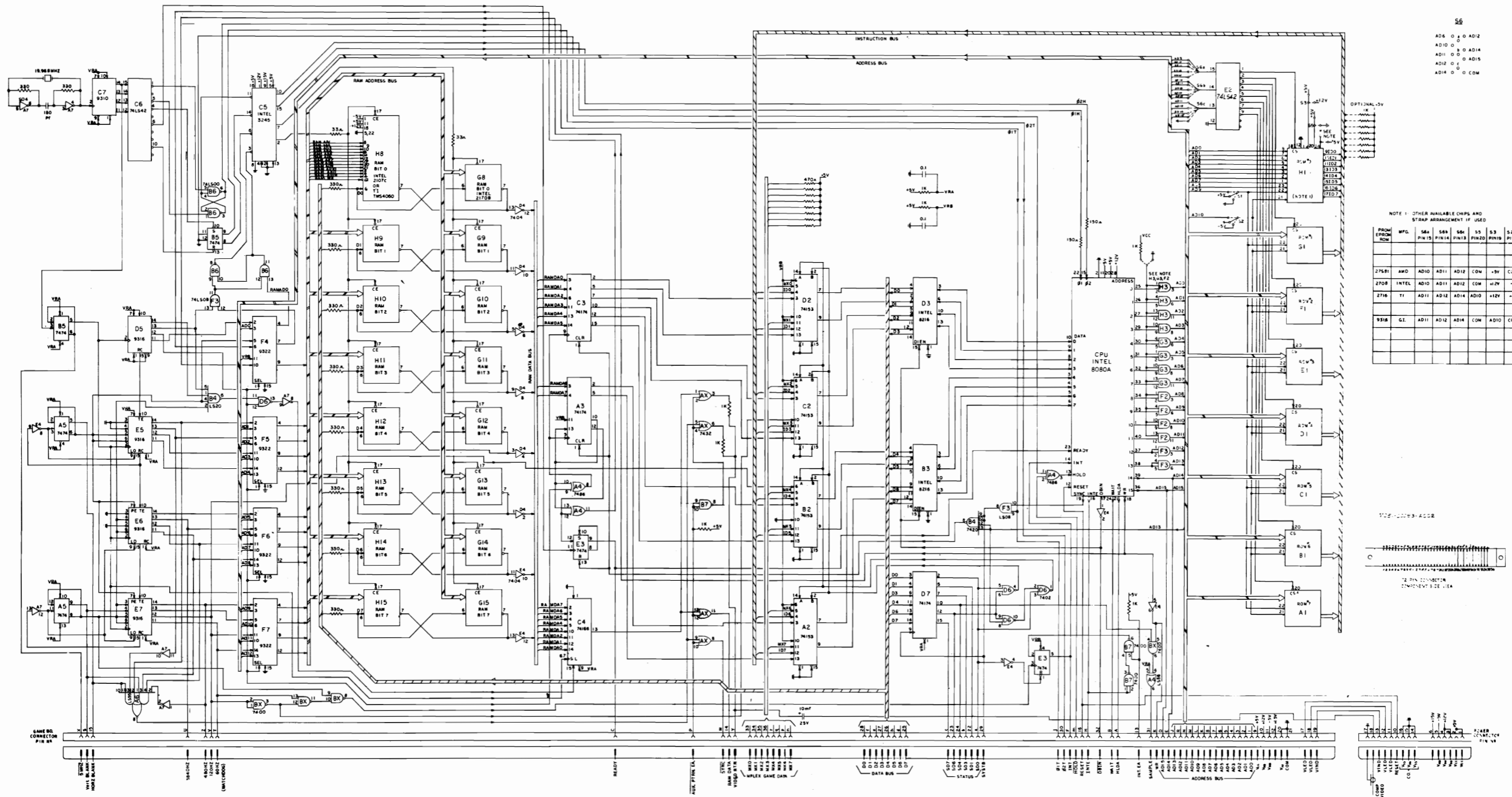


MIDWAY MFG. CO.  
 10750 W. GRAND AVE.  
 FRANKLIN PARK, ILL. 60131

GAME LOGIC P.C. A082-90700-A000  
 USED ON: SPACE INVADER II COCKTAIL  
 DELUXE SPACE INVADER UPRIGHT  
 DELUXE SPACE INVADER COCKTAIL  
 SCHEMATIC PART NO. M051-00851-A002



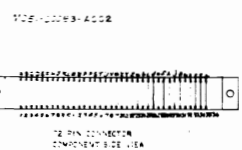




56  
 AD6 0 0 AD12  
 AD10 0 0 AD14  
 AD11 0 0 AD15  
 AD12 0 0 AD16  
 AD13 0 0 AD17  
 AD14 0 0 COM

NOTE 1: OTHER AVAILABLE CHIPS AND STRAP ARRANGEMENT IF USED

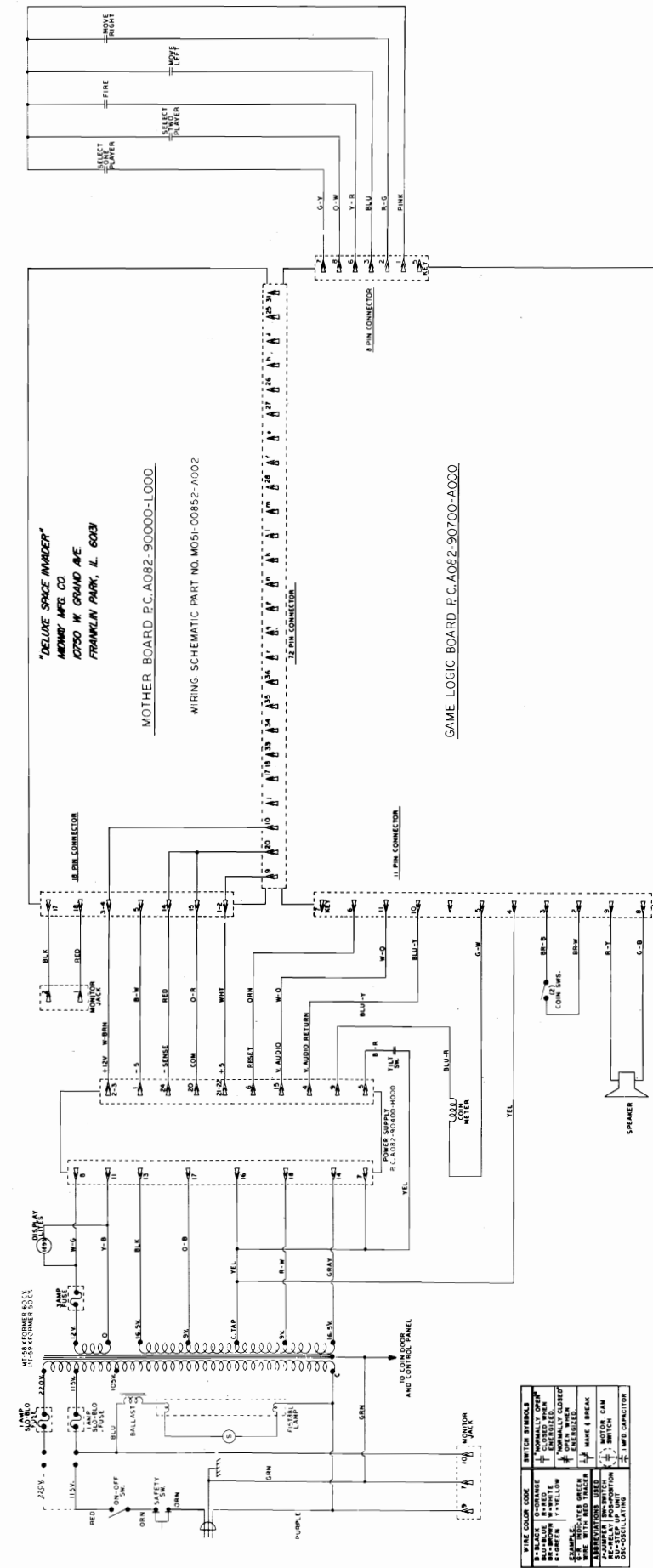
PROM EPROM ROW	MFG.	S6a	S6b	S6c	S5	S3	S2	S1	NEEDS
		PIN 15	PIN 14	PIN 13	PIN 20	PIN 19	PIN 21	PIN 22	PIN 24
2764	AMD	AD10	AD11	AD12	COM	-5V	COM	AD 9	-5V
2708	INTEL	AD10	AD11	AD12	COM	+12V	-5V	AD 9	+5V
2716	TI	AD11	AD12	AD14	AD10	+12V	-5V	AD 8	+5V
9316	GI	AD11	AD12	AD14	COM	AD10	COM	AD 9	-5V



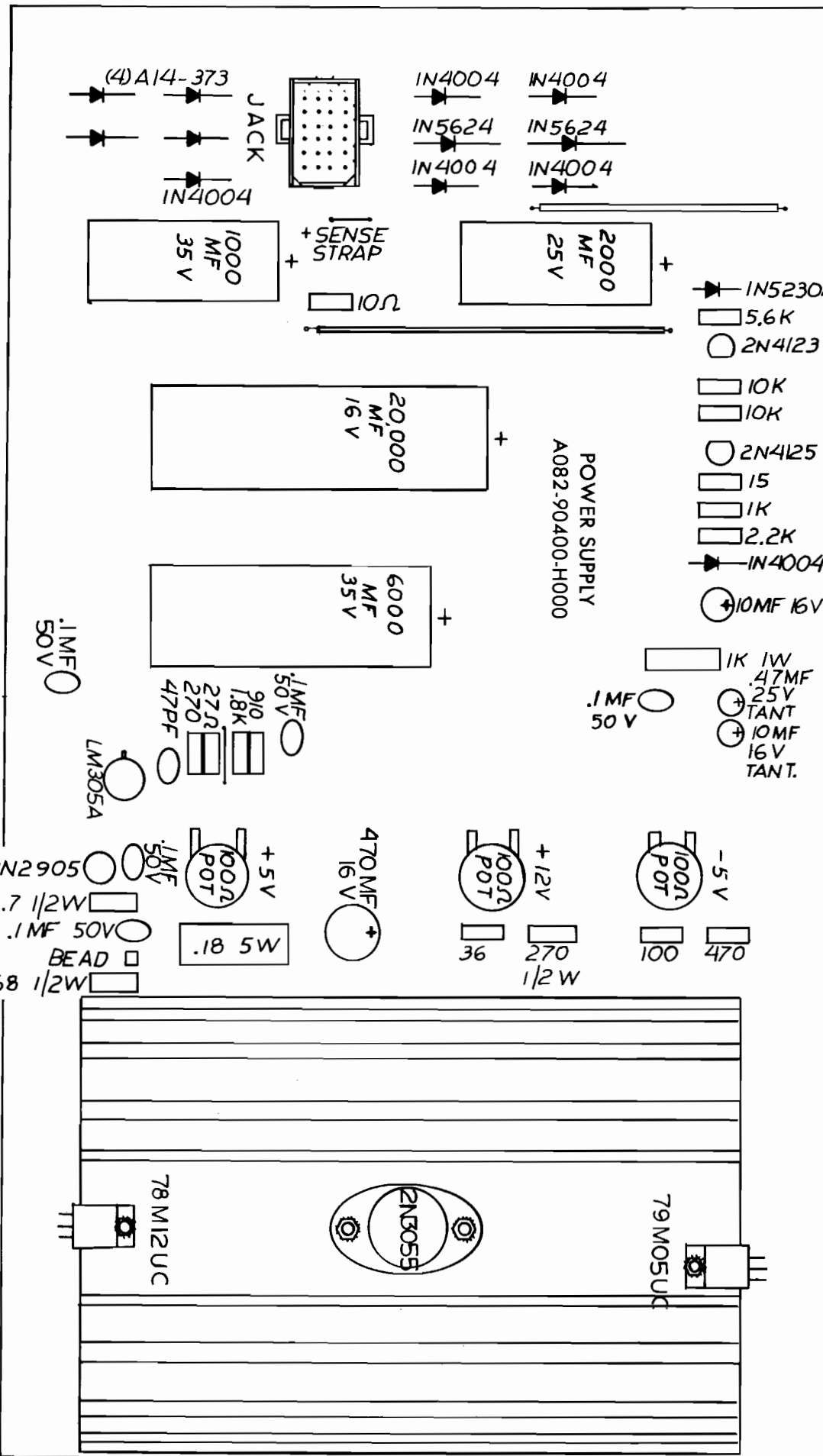
MOTHER BOARD SCHEMATIC  
 A084-9000-L000

# NOTES

This space is provided for personal notes

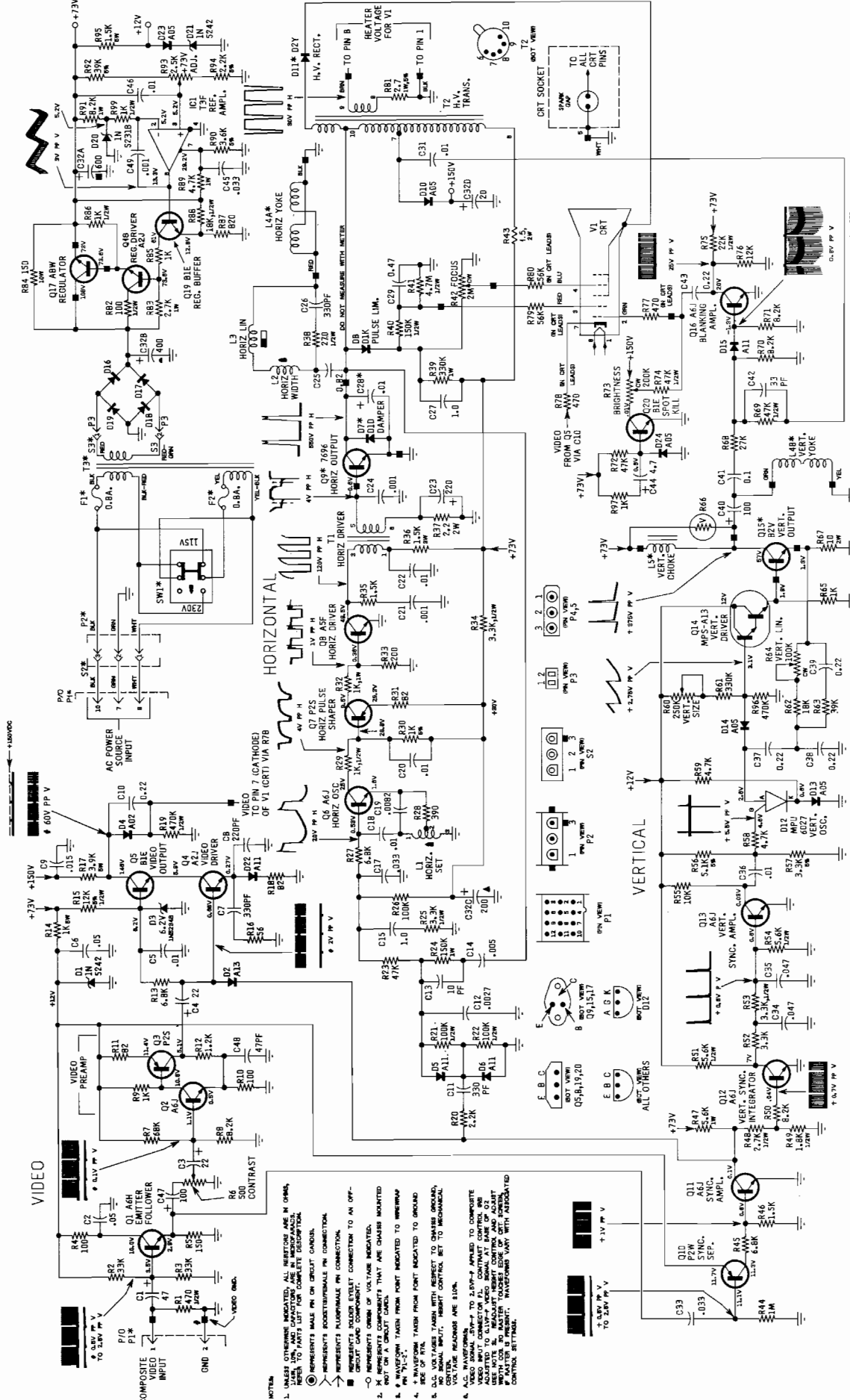












M5000-155, M7000-155 - Diagram Schematic

- NOTES:
1. UNLESS OTHERWISE INDICATED, ALL RESISTORS ARE IN OHMS, UNLESS OTHERWISE INDICATED. ALL CAPACITORS ARE IN P.F.F. UNLESS OTHERWISE INDICATED. REFER TO PARTS LIST FOR COMPLETE DESCRIPTION.
  2. RESISTORS ARE INDICATED BY VALUE AND TOLERANCE.
  3. RESISTORS ARE INDICATED BY VALUE AND TOLERANCE.
  4. RESISTORS ARE INDICATED BY VALUE AND TOLERANCE.
  5. ALL WAVEFORMS TAKEN FROM POINT INDICATED TO MECHANICAL DRAWING.
  6. ALL WAVEFORMS TAKEN FROM POINT INDICATED TO MECHANICAL DRAWING.
  7. ALL WAVEFORMS TAKEN FROM POINT INDICATED TO MECHANICAL DRAWING.
  8. ALL WAVEFORMS TAKEN FROM POINT INDICATED TO MECHANICAL DRAWING.
  9. ALL WAVEFORMS TAKEN FROM POINT INDICATED TO MECHANICAL DRAWING.
  10. ALL WAVEFORMS TAKEN FROM POINT INDICATED TO MECHANICAL DRAWING.

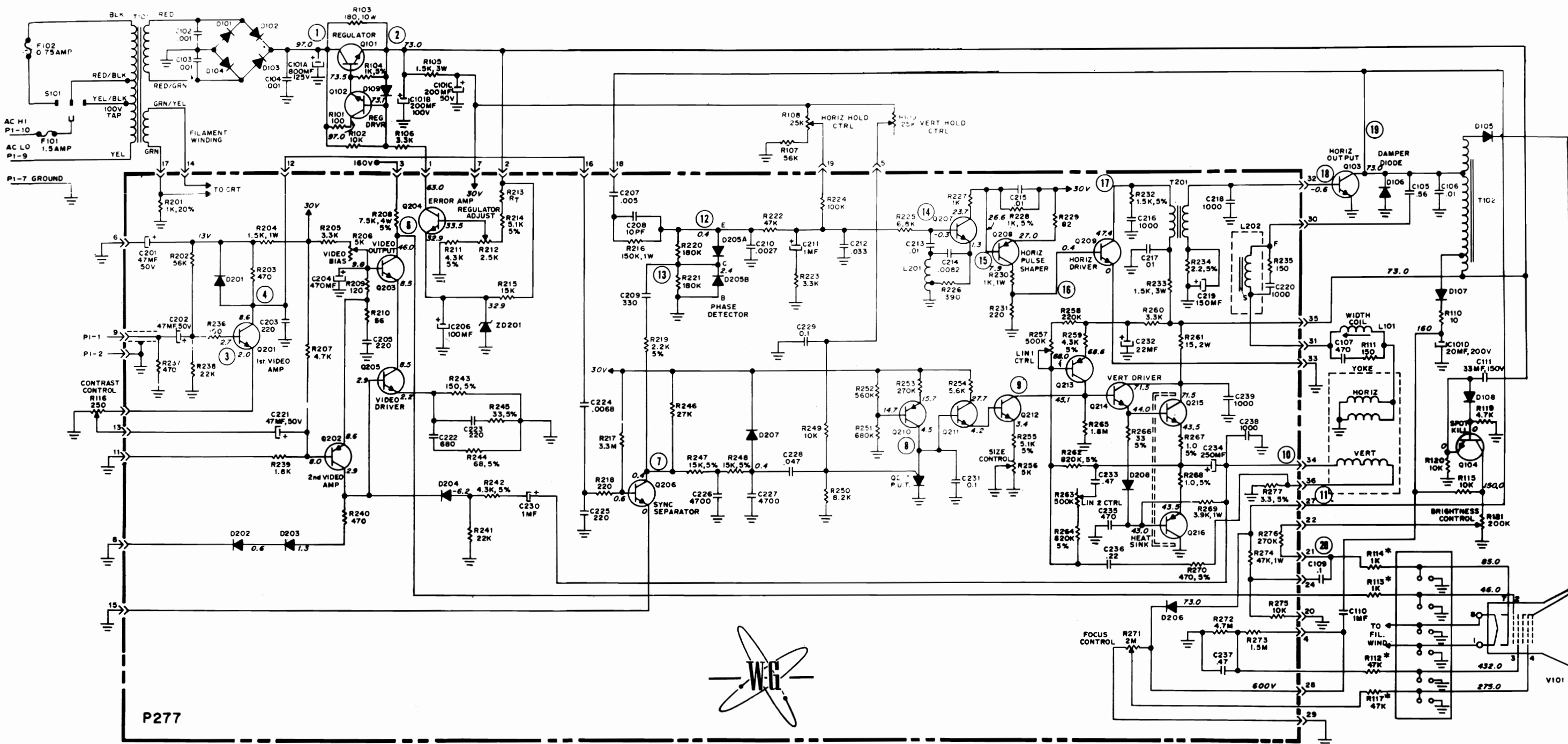
REF. NO.	PART NUMBER	DESCRIPTION	REF. NO.	PART NUMBER	DESCRIPTION
<b>ELECTRICAL PARTS</b>			<b>COILS &amp; CHOKES</b>		
	1Y25017A01	MONITOR PANEL: complete; KT364LM	L-1	24D68822A08	HORIZ SET
	1Y25017A02	POWER, Audio Panel: complete; KT365LM	L-2	24D68801A67	COMPENSATING: 2000 uh
<b>CAPACITORS</b>			L-3	24D69163A18	HORIZ LINEARITY
C-1	23C65282A41	50 mf 50V Lytic	L-4	24V25000A74	HORIZ WIDTH: incl C42 & R68
C-2	23C65282A41	50 mf 50V Lytic	L-5	24D68523A15	DEFLECTION YOKE
C-3	21S180D10	220 pf 20% 100V X5F (Use 21R132503)	<b>TRANSISTORS</b>		
C-4	23C65282A41	50 mf 50V Lytic	Q-1	48S137171	1st VIDEO: A6H
C-5	21S180B98	180 pf 10% 500V X5F	Q-2	48S137127	2nd VIDEO: P2S
C-6	23S10255A78	470 mf 16V Lytic	Q-3	48S134919	VIDEO OUTPUT: A1M
C-7	21S180C01	680 pf 10% 500V X5F	Q-4	48S137317	VIDEO DRIVER: A8H
C-8	21S180B85	560 pf 10% 500V X5F	Q-5	48S137115	SYNC SEPERATOR: A5U
C-10	8S10191B67	.22 mf 10% 250V Polyester	Q-6	48S137172	HORIZ OSCILLATOR: A6J
C-11	8S10191A54	.0068 mf 10% 160V Polyester	Q-7	48S137127	HORIZ PULSE SHAPER: P2S
C-12	21S180D10	220 pf 20% 100V X5F (Use 21R132503)	Q-8	48S137093	HORIZ DRIVER: A5F
C-13	21S131625	330 pf 10% X5F	Q-9	48S137203	HORIZ OUTPUT: A6Z
C-15	21S180C41	.0027 mf 10% 500V Z5F (Use 21K121699)	Q-10	48S137173	VERT OSCILLATOR (1): P2W
C-16	23S10229A07	1.0 mf +40-20% 15V Lytic (Use 23C43280A17)	Q-11	48S137171	VERT OSCILLATOR (2): A6H
C-17	8S10191B90	.033 mf 10% 160V Polyester	Q-12	48S137115	VERT DRIVER: A5U
C-18	8S10299A73	.01 mf 10% 100V Poly carb	Q-13	48S134900	VERT OUTPUT: A1C
C-19	8S10299A74	.0082 mf 10% 160V Poly carb	Q-14	48S134952	REGULATOR DRIVER: A2J
C-20	8S10191B98	.01 mf 10% 250V Polyester	Q-15	48S137315	REFERENCE AMP: A8G
C-21	21S180B51	.001 mf 10% 500V X5F	Q-16	48S137368	REGULATOR: A8W
C-22	8S10191B98	.01 mf 10% 160V Polyester	Q-17	48S137172	AUDIO DRIVER: A6J
C-23	21S180C02	10 pf 10% N150	Q-18	48S137168	AUDIO OUTPUT: P2V
C-24	23D65282A40	150 mf 10V Lytic	Q-19	48S137169	5V REGULATOR, Driver: A6G
C-25	21S180B51	.001 mf 10% 500V X5F	Q-20	48S137344	5V REGULATOR: A8U
C-26	8S10212B53	.47 mf 10% 630V Mtlz Poly	Q-21	48S137476	SPOT KILLER: B1E
C-27	8S10212A11	1.0 mf 10% 630V Mtlz Poly	<b>CONTROLS</b>		
C-28	8S10571A06	.01 mf 5% 1200V Poly Prop Foil	R-5	18D68222A34	CONTRAST: 250 Ohm
C-29	8S10571A23	.56 mf 10% 250V Mtlz Prop Foil	R-10	18D66401A44	VIDEO BIAS: 4K
C-30	8S10191A32	.047 mf 10% 250V Polyester	R-17	18D67858A12	FOCUS: 2 meg
C-31	21S180B87	220 pf 10% 500V X5F	R-21	18D68222A35	BRIGHTNESS: 200K
C-32	21S180D34	.005 mf 20% 1KV Z5F (Use 21S180D31)	R-34	18D68222A37	HORIZ HOLD: 25K
C-33	8S10212A69	.47 mf 10% 100V Mtlz Poly	R-59	18D66401A44	VERT LINEARITY: 4K
C-34	8S10191A32	.047 10% 250V Polyester	R-65	17D65820A38	VERT SIZE: 15 Ohm
C-35	8S10191B98	.01 mf 10% 250V Polyester	R-74	17D65820A37	REGULATOR ADJUST: 2K
C-36	23S10255A69	4.7 mf 100V Lytic	R-82	18D68222A36	VERT HOLD: 3K
C-37	8S10212A20	2.2 mf 10% 100V Mtlz Poly	R-85	18D68222A34	VOLUME: 250 Ohm
C-38	8S10212A20	2.2 mf 10% 100V Mtlz Poly	<b>RESISTORS</b>		
C-39	8S10191B67	.22 mf 10% 250V Polyester	R-1	6S127633	470 10% 1/2W
C-40	8S10212A10	1.0 mf 10% 100V Mtlz Poly (Use 8S10191A46)	R-2	6S125568	22K 10% 1/2W
C-41	8S10064A06	.01 mf 10% 600V Mylar	R-3	6S127541	56K 10% 1/2W
C-42	21S180A71	470 pf 10% 500V X5F	R-4	6S127633	470 10% 1/2W
C43	23C65807A47	400 mf/125V; 600 mf/50V; 20 mf/200V Lytic	R-6	6S128955	1500 10% 1W
C-44	21S180E60	.01 mf +80-20% 50V Z5V	R-7	6S121847	4700 10% 1/2W
C-47	*23C65807A52	5000 mf 20V Lytic	R-8	6S122445	1800 10% 1/2W
C-49	23S10255A31	470 mf 40V Lytic	R-9	6S119926	2700 10% 1/2W
C-50	23D65282A41	50 mf 50V Lytic	R-11	6S128226	120 10% 1/2W
C-51	23S10255B43	40 mf 100V Lytic	R-12	6S127633	470 10% 1/2W
<b>DIODES &amp; RECTIFIERS</b>			R-13	17S10731A02	7500 5% 5W WW
D-1	48S134921	DIODE, Silicon: D1D; Damper	R-14	6S124797	150 10% 1/2W
D-2	48S134978	DIODE, Silicon: D1K; Pulse Limiter	R-15	6S127516	82 10% 1/2W
D-3	48D67120A11	DIODE, Low Power	R-18	---	Part of CRT socket assembly
D-4	48S137114	RECTIFIER, H. V.: Silicon; D2Y	R-19	---	Part of CRT socket assembly
D-5	48S191A05	RECTIFIER, Silicon: 91A05 (Use 48S191A07)	R-20	---	Part of CRT socket assembly
D-6	48S137469	DIODE, Silicon: zener; D7G	R-22	6S129296	279K 10% 1/2W
D-7	48S134917	DIODE, Dual: D1C; Detector	R-23	6S10053C67	27K 5% 1/2W
D-8	48S67120A11	DIODE, Low Power	R-24	6S127538	3.3 meg 10% 1/2W
D-9	*48S191A10	RECTIFIER, Silicon: 91A10	R-25	6S121300	27K 10% 1/2W
D-10	48S191A10	RECTIFIER, Silicon: 91A10	R-26	6S127541	56K 10% 1/2W
D-11	48S101A10	RECTIFIER, Silicon: 91A10	R-27	6S129875	2200 10% 1/2W
D-12	48S191A10	RECTIFIER, Silicon: 91A10	R-28	6S125531	180K 10% 1/2W
D-13	48D67120A11	DIODE, Low Power	R-29	6S125531	180K 10% 1/2W
D-14	48S191A05	RECTIFIER, Silicon: 91A05 (Use 48S191A07)	R-30	6S125892	47K 10% 1/2W
D-15	48S191A05	RECTIFIER, Silicon: 91A05 (Use 48S191A07)	R-31	6S125534	100K 10% 1/2W
D-16	48S191A05	RECTIFIER, Silicon: 91A05 (Use 48S191A07)	R-32	6S124506	3300 10% 1/2W
D-17	48S191A05	RECTIFIER, Silicon: 91A05 (Use 48S191A07)	R-33	6S10053C53	6800 5% 1/2W
D-18	48S191A05	RECTIFIER, Silicon: 91A05 (Use 48S191A07)	R-35	6S127541	56K 10% 1/2W
D-19	48D67120A11	DIODE, Low Power	R-36	6S125545	390 10% 1/2W
D-20	*48S10641D43	DIODE, Silicon: D4.3	R-37	6S121301	1000 10% 1/2W
D-21	48D67120A11	DIODE, Low Power	R-38	6S10053C33	1000 5% 1/2W
D-22	48S191A05	RECTIFIER, Silicon: 91A05 (Use 48S191A07)	R-39	6S127516	82 10% 1/2W
D23	48S191A05	RECTIFIER Silicon: 91A05 (Use 48S191A07)	R-40	6S127547	1000 10% 1W
<b>FUSES</b>			R-41	6S127099	220 10% 1/2W
F-1	65S139424	FUSE: 1A-250V	R-42	6S127513	1500 10% 1/2W
F-2	65S139424	FUSE: 1A-250V	R-43	17S10130B07	1500 10% 3W fxd mtl film
<b>INTEGRATED CIRCUITS</b>			R-44	17S744356	2.2 10% 2W WW
IC-1	*51S10732A01	INTEGRATED CIRCUIT: T3F	R-45	6S120141	150K 10% 1W
			R-46	6S127634	33K 10% 1W
			R-47	6S128229	680K 10% 1/2W
			R-48	6S10053D21	4.7 meg 10% 1/2W
			R-49	6S124797	150 10% 1/2W
			R-50	6S10053C45	3300 5% 1/2W
			R-52	6S124506	3300 10% 1/2W
			R-53	6S129874	68 10% 1/2W
			R-54	6S131972	39 10% 1/2W
			R-55	6S10053C65	22K 5% 1/2W
			R-56	6S125535	39K 10% 1/2W
			R-57	6S124506	3300 10% 1/2W
			R-58	6S129793	82K 5% 1/2W
			R-60	6S129875	2200 10% 1/2W
			R-61	6S10053F29	820 10% 1W
			R-62	6S127515	3900 10% 1/2W

REPLACEMENT PARTS LIST

REF. NO.	PART NUMBER	DESCRIPTION	REF. NO.	PART NUMBER	DESCRIPTION
R-63	6S121301	1000 10% 1/2W			
R-64	17S10130C91	10 10% 1/2W (special)			
R-66	6S129064	4700 10% 1W			
R-67	6S122848	18K 10% 1/2W			
R-68	6S124797	150 10% 1/2W			
R-69	17S647132	1200 10% 5W WW (Use 17S136197)			
R-71	6S119926	2700 10% 1/2W			
R-72	6S124551	15K 10% 1/2W			
R-73	6S129875	2200 10% 1/2W			
R-75	6S121301	1000 10% 1/2W			
R-76	6S124506	3300 10% 1/2W			
R-77	6S129221	100 10% 1/2W			
R-78	6S127005	5600 10% 1/2W			
R-79	17S135589	150 10% 10W WW			
R-81	6C66263A08	VARISTOR (Use 6S66263A16)			
R-86	6S127099	220 10% 1/2W			
R-88	6S121301	1000 10% 1/2W			
R-89	---	Part of CRT Socket			
R-90	6S131412	56 10% 1/2W			
R-91	6S10053C39	1800 5% 1/2W			
R-92	6S10053C57	10K 5% 1/2W			
R-95	6S125568	22K 10% 1/2W			
R-96	6S125568	22K 10% 1/2W			
R-97	6S121847	4700 10% 1/2W			
R-98	6S127099	220 10% 1/2W			
R-99	6S128226	120 10% 1/2W			
<b>SWITCHES</b>					
SW-1	40S10624A01	SWITCH, Slide: DPDT (115V-230V)			
<b>TRANSFORMERS</b>					
T-1	25D67440A03	HORIZ DRIVER			
T-2	24D69791A21	H. V. TRANSFORMER: complete			
T-3	25D65840A22	VERT OUTPUT (Use 25D65840B23)			
T-4	*25D68164A31	POWER			
<b>MISCELLANEOUS ELECTRICAL PARTS</b>					
V-1	20WP4	CRT (XM501-10 19VP111)			
	23JEP4	CRT (XM701-10 23VP111)			
			E-1	50V25008A22 65S139451	SPEAKER: 4" PM; incl D22 LAMP: No. 1436
			<b>MECHANICAL PARTS</b>		
				9D66133A28	CAP, SS Rect (HV Transformer - PRI/SEC lead)
				42B25158A01 31D70080B04	CLAMP, Metal: Defl Yoke Mtg CONNECTOR, PC panel: 9 contact; on chassis
			S-2	*15S10390A06	CONNECTOR, PC panel: 12 contact; less key and contacts (power-audio panel)
			P-1	*15S10183A69	CONNECTOR, Plug: 12 contact; less contacts (power)
				*39S10184A63	CONTACT, Plug: for power connector 15S10183A69
				39S10184A22	CONTACT: for S2 connector
				15S10630A01	COVER, nylon: slide switch; SW1
				*7S10609A03	GROMMET, Plastic: PC panel mtg
				26C66745A05	HEAT SINK: Q3
				*26C25198A01	HEAT SINK: Q20
				9C66238A02	HOLDER, Fuse: F1 & F2
				14A562353	INSULATOR, Mica: Transistor socket; Q9, Q13, Q16 & Q20 (Use 14A543810)
				28S10733A01	KEY, Plug: for S2 connector
				2S7051	NUT, hex: 3/8-32; control mtg
				5S10281A03	RIVET, drive pin: nylon; HV transf mtg
				47C66082A03	ROD, Adjustment: width coil; L4
				3S136050	SCREW, tpg: 6-20 x 1/2 clu pan hd; Q9, Q13, Q16 & Q20
				9S10143A41	SOCKET, lamp: E1
				9D67555V27	SOCKET, CRT: incl leads & resistors
				*9D25201A01	SOCKET, HV Rectifier (4): complete; incl 2nd anode lead & cup
				9C63825A01	SOCKET, transistor: Q9, Q13, Q16
				9C63825A02	SOCKET, transistor: Q20
				41D65987A01	SPRING, special: CRT aquadag grnd
				66P65173A47	TOOL, contact removal (S2 connector)

\* DENOTES NEW ITEM APPEARING ON ANY LIST FOR FIRST TIME.

MOTOROLA PARTS DEPT.  
MOTOROLA INC.  
1155 HARVESTER RD.  
WEST CHICAGO, IL 60185  
PHONE (312) 231-4400



P277



# WELLS - GARDNER ELECTRONICS

CORPORATION

2701 N. KILDARE AVE. • CHICAGO, ILL. 60639 • ALBANY 2-8220  
TELEX 25-3286

- NOTES:
1. VOLTAGE MAY VARY WITH CONTROL SETTING.
  2. LINE VOLTAGE MAINTAINED AT 120VAC, 50/60 Hz.
  3. ALL D.C. VOLTAGES ±10% MEASURED FROM POINT INDICATED TO CHASSIS USING HIGH IMPEDANCE METER WITH NO SIGNAL INPUT. CONTRAST AND BRIGHTNESS CONTROLS AT MAXIMUM; ALL OTHER CONTROLS IN NORMAL OPERATING POSITION.
  4. ○ WITH INTERNAL NUMBER INDICATES LOCATION OF WAVE FORM READING.

- NOTES:
- \* INDICATES RESISTORS LOCATED IN PICTURE TUBE LEAD ASSEMBLY.
  - RESISTANCE VALUES IN OHMS, 1/2 WATT, 10% UNLESS OTHERWISE NOTED. K=1,000 M=1,000,000
  - CAPACITANCE VALUES OF 1 OR LESS ARE IN MICROFARADS. ABOVE 1 IN PICOFARADS UNLESS OTHERWISE NOTED.

*MODEL No.*  
V1001-5734

# REPLACEMENT PARTS LIST

## CHASSIS PARTS

### CAPACITORS

C101A, B, C, D	45X0558-001	800 $\mu$ F/125V, 200 $\mu$ F/100V 200 $\mu$ F/50V, 20 $\mu$ F/200V Electrolytic
C102, 103 104	80X0001-000	.001 $\mu$ F, GMV Z5U Cer. Disc.
★C105	342X5642-049	.56 $\mu$ F, 400V, 10% Polypropylene
★C106	46X0536-001	.01 $\mu$ F, 1200V, 5% Polypropylene
C107	80X0099-006	470 pF, Z5F, 10%
C109	342X1044-040	0.1 $\mu$ F, 400V, 20% Mylar
★C110	46X0540-002	1.0 $\mu$ F, 630V, 10% Polyester Film
C111	45X0515-032	33 $\mu$ F, 150V, Electrolytic

### CONTROLS

R108, 109	40X0585-091	25k Ohm, Horiz. & Vert. Hold
R116	40X0585-090	250 Ohm, Contrast
R121	40X0585-092	200k Ohm, Brightness

### COILS & TRANSFORMERS

★L101	9A2787-001	Coil, Width
★T101	53X0475-001	Transformer, Power
★T102	53X0474-001	Transformer, Flyback

### RESISTORS

R101	340X3101-941	100 Ohm, 10%, 1/2W
R102, 115, 120	340X3103-941	10k Ohm, 10%, 1/2W
★R103	340X0181-341	180 Ohm, 10%, 10W, WW
R104	340X3102-931	1k Ohm, 5%, 1/2W
★R105	340X6152-341	1.5k Ohm, 10%, 3W, WW
R106	340X3332-941	3.3k Ohm, 10%, 1/2W
R107	340X3563-941	56k Ohm, 10%, 1/2W
R110	340X3100-941	10 Ohm, 10%, 1/2W
R111	340X3151-941	150 Ohm, 10%, 1/2W
R119	340X3472-941	4.7k Ohm, 10%, 1/2W

### SEMICONDUCTORS

D101, 102 103, 104	66X0023-009	Rectifier, Silicon 500V 1N444B
★D105	66X0067-001	Rectifier Varo H1802
★D106	66X0068-001	Diode, Damper MR1-1600
D107	66X0053-001	Diode, 350V Amperex BA148
D108, 109	66X0046-001	Diode, Silicon FDH444
★Q101	86X0117-001	Transistor (NPN) 2N5632 Regulator
Q102	86X0071-001	Transistor (NPN) Reg. Driver MPSA06
★Q103	86X0118-001	Transistor (NPN) BU207 Hor. Output
Q104	86X0065-001	Transistor (NPN) D40N5 Spot Kill

### MISCELLANEOUS

★F101	16X0171-001	Fuse Holder
★F102	16X0176-001	Fuse, 1.5 Amp. Slo-Blo 3AG
★	16X0175-001	Fuse, 0.75 Amp. Slo-Blo 3AG
★	13X1201-001	HV Lead & Recept. Assy.
★	28X0789-001	Spring, Dag, Grounding
★V101	9A2786-001	Deflection Yoke & Clamp
or	19VARP4	CRT (19V1001)
★V101	22VATP4	CRT (22V1001)
	38A5473-000	2 PDT Small Relay (W/Wires)
	38A5474-000	6 PDT Large Relay (W/Wires)

★ Product Safety Device

# REPLACEMENT PARTS LIST P277 CIRCUIT BOARD ASSY.

### CAPACITORS

C201, 202, 221	45X0524-027	47 $\mu$ F, 50V, Electrolytic
C203, 205, 223, 225	80X0099-057	220 pF, 10%, Z5F, Cer. Disc.
C204	45X0524-053	470 $\mu$ F, 16V, Electrolytic
C206	45X0524-051	100 $\mu$ F, 50V, Electrolytic
C207	80X0099-192	.005 $\mu$ F, 20%, 1KV, Cer. Disc.
C208	80X0099-036	10 pF, 10%, 500V, Cer. Disc.
C209	80X0099-013	330 pF, 10%, 500V, Cer. Disc.
C210	349X4722-109	.0027 $\mu$ F, 10%, Mylar
C211	45X0524-023	1.0 $\mu$ F, 15V, Electrolytic
C212	349X3332-109	.033 $\mu$ F, Mylar
C213	46X0537-002	.01 $\mu$ F, Poly
C214	46X0537-003	.0082 $\mu$ F, Poly
C215	349X1032-109	.01 $\mu$ F, 10%, 100V Mylar
C216, 218, 220, 238, 239	80X0099-076	1000 pF, 10%, 500V, Cer. Disc.
C217	349X1032-209	.01 $\mu$ F, 10%, 200V, Mylar
C219	45X0524-052	150 $\mu$ F, 10V, Electrolytic
C222	80X0099-137	680 pF, 10%, 500V, Cer. Disc.
C224	349X6822-109	.0068 $\mu$ F, 10%, 100V, Mylar
C226, 227	80X0099-056	4700 $\mu$ F, 10%, 500V, Cer. Disc.
C228	349X4732-109	.047 $\mu$ F, 10%, 100V, Mylar
C229	349X1044-109	0.1 $\mu$ F, 20%, 100V, Mylar
C230	45X0515-014	1.0 $\mu$ F, 50V, Electrolytic
C231	349X1042-109	0.1 $\mu$ F, 10%, 100V, Mylar
C232	45X0524-026	22 $\mu$ F, 100V, Electrolytic
C233	349X4742-109	.47 $\mu$ F, 10%, 100V, Mylar
C234	45X0524-025	250 $\mu$ F, 100V, Electrolytic
C235	80X0099-006	470 pF, 10%, Z5F, Cer. Disc.
C236	349X2242-109	.22 $\mu$ F, 10%, 100V, Mylar
C237	46X0540-001	.47 $\mu$ F, 10%, 630V, Polyester Film

### CONTROLS

R206, 256	40X0592-008	5k Ohm, Video Output, Size
R212	40X0585-093	2.5k Ohm, Reg. Adj.
R257, 263	40X0592-004	500k Ohm, Lin 1 & 2
R271	40X0585-094	2M Ohm, Focus

### COILS & TRANSFORMERS

★L201	9A2788-001	Horiz. Osc.
★L202	9A2789-001	Horiz. Lin.
★T201	52X0126-001	Horiz. Driver

### RESISTORS

R201	340X3102-954	1k Ohm, 20%, 1/2W
R202	340X3563-944	56k Ohm, 10%, 1/2W
R203, 237, 240	340X3471-944	470 Ohm, 10%, 1/2W
★R204	340X4152-843	1.5k Ohm, 10%, 1.0W
R205, 223, 260	340X3332-944	3.3k Ohm, 10%, 1/2W
R207	340X3472-944	4.7k Ohm, 10%, 1/2W
★R208	340X7752-733	7.5k Ohm, 5%, 4.0W
R209	340X3121-944	120 Ohm, 10%, 1/2W
R210	340X3560-944	56 Ohm, 10%, 1/2W
R211, 242, 259	340X3432-934	4300 Ohm, 5%, 1/2W
R213	43X0467-001	Thermistor
R214, 255	340X3512-934	5.1k Ohm, 5%, 1/2W
R215	340X3153-944	15k Ohm, 10%, 1/2W
★R216	340X4154-843	150k Ohm, 10%, 1.0W
R217	340X3335-944	3.3M Ohm, 10%, 1/2W
R218, 231	340X3221-944	220 Ohm, 10%, 1/2W
R219	340X3222-934	2.2k Ohm, 5%, 1/2W

★ Product Safety Device

### RESISTORS (Cont'd.)

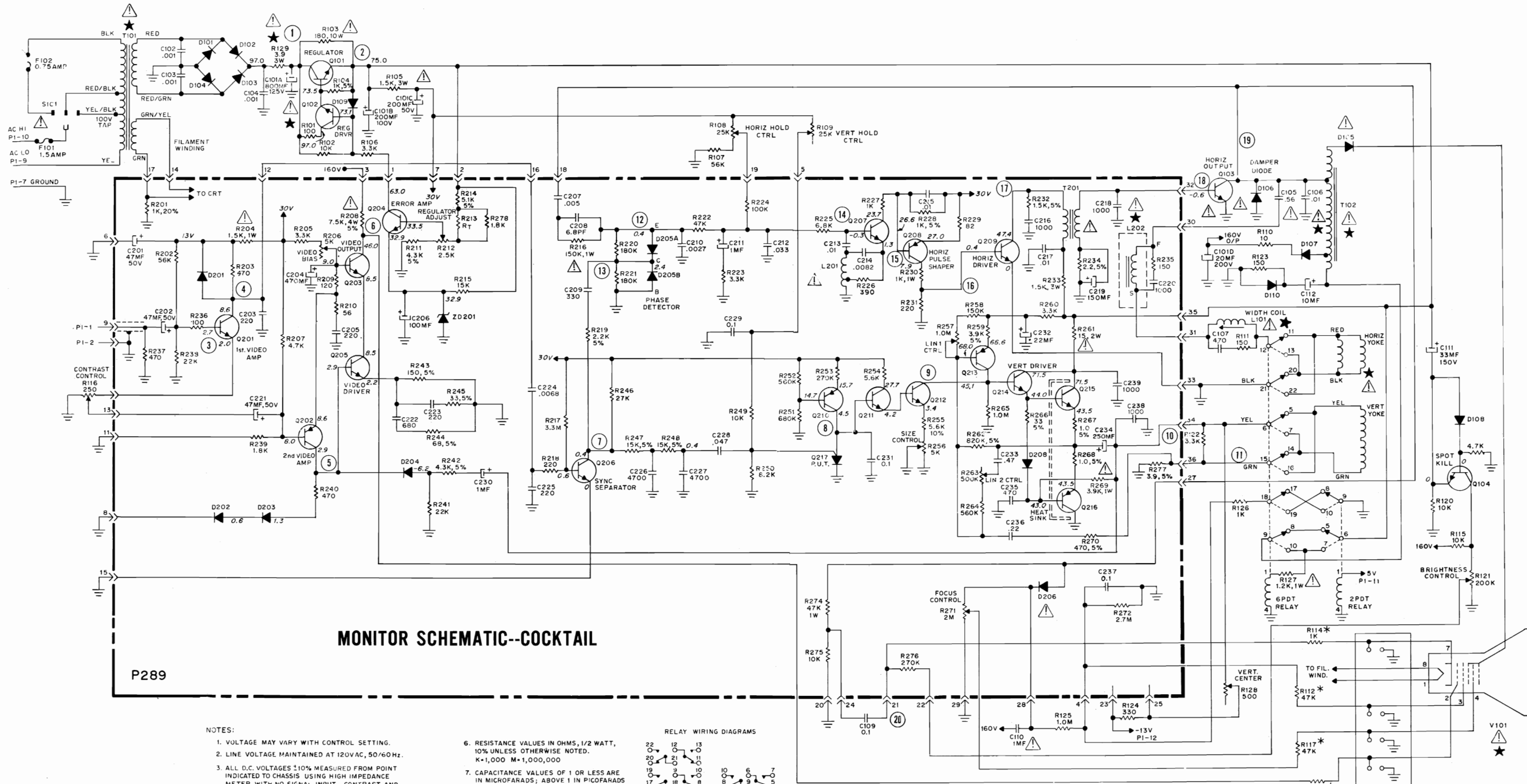
R220, 221	340X3184-944	180k Ohm, 10%, 1/2W
R222	340X3473-944	47k Ohm, 10%, 1/2W
R224	340X3104-944	100k Ohm, 10%, 1/2W
R225	340X3682-944	6.8k Ohm, 10%, 1/2W
R226	340X3391-944	390 Ohm, 10%, 1/2W
R227	340X3102-944	1k Ohm, 10%, 1/2W
R228	340X3102-934	1k Ohm, 5%, 1/2W
R229	340X3820-944	82 Ohm, 10%, 1/2W
★R230	340X4102-843	1k Ohm, 10%, 1.0W
R232	340X3152-934	1.5k Ohm, 5%, 1/2W
★R233	340X6152-743	1.5k Ohm, 10%, 3.0W
R234	340X5022-333	2.2 Ohm, 5%, 2.0W
R235	340X3151-944	150 Ohm, 10%, 1/2W
R236	340X3101-944	100 Ohm, 10%, 1/2W
R238, 241	340X3223-944	22k Ohm, 10%, 1/2W
R239	340X3182-944	1.8k Ohm, 10%, 1/2W
R243	340X3151-934	150 Ohm, 5%, 1/2W
R244	340X3680-934	68 Ohm, 5%, 1/2W
R245, 266	340X3330-934	33 Ohm, 5%, 1/2W
R246	340X3273-944	27k Ohm, 10%, 1/2W
R247, 248	340X3153-934	15k Ohm, 5%, 1/2W
R249, 275	340X3103-944	10k Ohm, 10%, 1/2W
R250	340X3822-944	8.2k Ohm, 10%, 1/2W
R251	340X3684-944	680k Ohm, 10%, 1/2W
R252	340X3564-944	560k Ohm, 10%, 1/2W
R253, 276	340X3274-944	270k Ohm, 10%, 1/2W
R254	340X3562-944	5.6k Ohm, 10%, 1/2W
R258	340X3224-944	220k Ohm, 10%, 1/2W
★R261	340X5150-843	15 Ohm, 10%, 2.0W
R262, 264	340X3824-934	820k Ohm, 5%, 1/2W
R265	340X3185-944	1.8M Ohm, 10%, 1/2W
R267, 268	340X3010-934	1 Ohm, 5%, 1/2W
R269	340X4392-843	3.9k Ohm, 10%, 1/2W
R270	340X3471-934	470 Ohm, 5%, 1/2W
R272	340X3475-944	4.7M Ohm, 10%, 1/2W
R273	340X3155-944	1.5M Ohm, 10%, 1/2W
★R274	340X4473-843	47k Ohm, 10%, 1.0W
R277	340X3033-934	3.3 Ohm, 5%, 1/2W

### SEMICONDUCTORS

D201, 202, 203, 204, 207, 208	66X0046-001	Diode, Silicon FDH444
D205A, 205B	66X0066-001	Diode, Dual, MSD6102
D206	66X0054-002	Diode, RCA D2102SF
Q201, 205, 206	86X0113-001	Transistor (NPN) 2N3904
Q202, 208	86X0114-001	Transistor (PNP) 2N3906
Q203	86X0071-001	Transistor (NPN)
Q204, 212	86X0071-001	Transistor (NPN) MPSA06
Q207, 211	86X0058-002	Transistor (NPN) MPSA20
Q209	86X0116-001	Transistor Horiz, Driver (NPN) 2N6557
Q210	86X0066-001	Transistor (PNP) MPSA70
Q213	86X0072-001	Transistor (PNP) MPSA56
Q214	86X0073-001	Transistor (NPN) MPSU07
Q215	86X0074-001	Transistor (NPN) 2N5192
Q216	86X0075-001	Transistor (PNP) 2N5195
Q217	86X0070-001	Transistor (P.U.T.) MPU131
ZD201	66X0040-004	Diode, Zener 31V

### MISCELLANEOUS

38A5395-000	Pix Socket & Connector Assy.
-------------	------------------------------



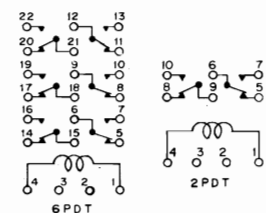
**MONITOR SCHEMATIC--COCKTAIL**

P289

**NOTES:**

1. VOLTAGE MAY VARY WITH CONTROL SETTING.
2. LINE VOLTAGE MAINTAINED AT 120VAC, 50/60HZ.
3. ALL D.C. VOLTAGES ±10% MEASURED FROM POINT INDICATED TO CHASSIS USING HIGH IMPEDANCE METER WITH NO SIGNAL INPUT. CONTRAST AND BRIGHTNESS CONTROLS AT MAXIMUM; ALL OTHER CONTROLS IN NORMAL OPERATING POSITION.
4. ○ WITH INTERNAL NUMBER INDICATES LOCATION OF WAVE FORM READING.
5. \* - INDICATES RESISTORS LOCATED IN PICTURE TUBE LEAD ASSEMBLY.
6. RESISTANCE VALUES IN OHMS, 1/2 WATT, 10% UNLESS OTHERWISE NOTED. K=1,000 M=1,000,000
7. CAPACITANCE VALUES OF 1 OR LESS ARE IN MICROFARADS; ABOVE 1 IN PICOFARADS UNLESS OTHERWISE NOTED.
8. PRODUCT SAFETY NOTICE: PARTS IDENTIFIED BY SHADING ARE SAFETY CRITICAL COMPONENTS. REPLACE ONLY WITH SAME TYPE PARTS SHOWN IN PARTS LIST.

**RELAY WIRING DIAGRAMS**



**PRODUCT SAFETY NOTICE:**

PARTS IDENTIFIED BY SHADING AND BY ARE SAFETY CRITICAL COMPONENTS. REPLACE ONLY WITH SAME TYPE PARTS SHOWN IN PARTS LISTS.

X-RAY RADIATION RELATED PARTS FOR REPLACEMENT PURPOSES, USE ONLY TYPE PARTS SHOWN IN PARTS LIST.

V1002-5770

# NOTES

---

This space is provided for personal notes



0  
0  
0  
0