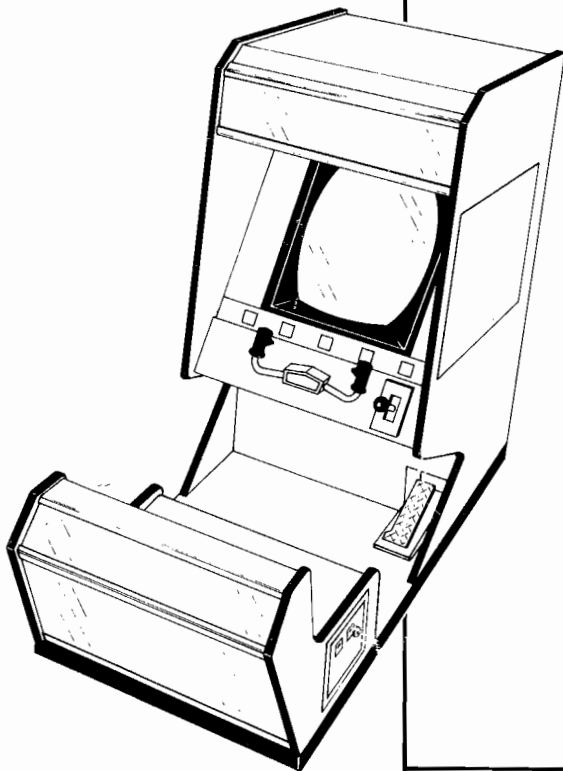
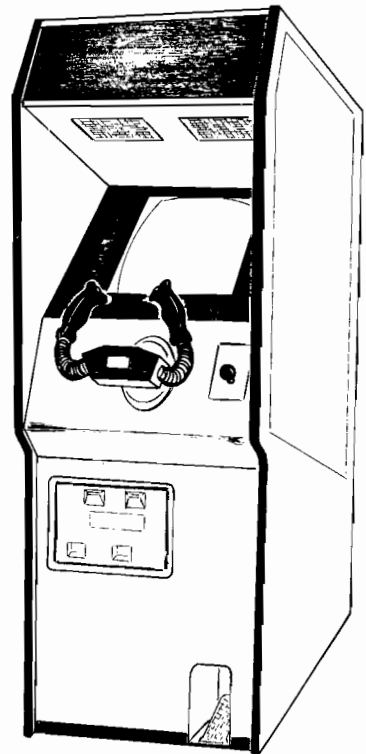


# SPY HUNTER

## Parts and Operating Manual



NO. 307  
SIT DOWN



NO. A27  
UPRIGHT

*Bally*

MIDWAY MFG. CO.

10601 W. Belmont Avenue  
Franklin Park, Illinois 60131  
U.S.A.



Phone: (312) 451-9200 Cable Address: MIDCO Telex No.: 72-1596

**WARNING**

**THIS GAME MUST BE GROUNDED. FAILURE TO DO SO MAY RESULT IN DESTRUCTION TO ELECTRONIC COMPONENTS.**

**WARNING:** This equipment generates, uses, and can radiate radio frequency energy and if not used in accordance with the instructions manual, may cause interference to radio communications. It has been tested and found to comply with the limits for a CLASS A computing device pursuant to SUBPART J of PART 15 of FCC RULES, which are designed to provide reasonable protection against such interference when operated in a commercial environment. Operation of this equipment in a residential area is likely to cause interference in which case the user at his own expense will be required to take whatever measures may be required to correct the interference.

ELECTRICAL BULLETIN: FOR ALL APPARATUS COVERED BY THE CANADIAN STANDARDS ASSOCIATION (CSA) STANDARD C22.2 NO. 1, WHICH EMPLOYS A SUPPLY CORD TERMINATED WITH A POLARIZED 2-PRONG ATTACHMENT PLUG.

CAUTION: TO PREVENT ELECTRIC SHOCK DO NOT USE THIS (POLARIZED) PLUG WITH AN EXTENSION CORD, RECEPTACLE OR OTHER OUTLET UNLESS THE BLADES CAN BE FULLY INSERTED TO PREVENT BLADE EXPOSURE.

ATTENTION: POUR PREVENIR CHOCS ELECTRIQUES NE PAS UTILISER CETTE FICHE POLARISEE AVEC UN PROLONGATEUR, UNE PRISE DE COURANT OU UNE AUTRE SORTIE DE COURANT, SAUF SI LES LAMES PEUVENT ETRE INSEREES A FOND SANS EN LAISSER AUCUNE PARTIE A DECOUVERT.

**Bally MIDWAY**<sup>TM</sup>

*Invites You To Use*

**OUR TOLL FREE NUMBERS FOR  
SERVICE INFORMATION CONCERNING THIS GAME, OR ANY  
OTHER BALLY MIDWAY GAME YOU NOW HAVE ON LOCATION.**

**CALL US FOR PROMPT, COURTEOUS  
ANSWERS TO YOUR PROBLEMS.**

**VIDEO → Continental U.S. 1-800-323-7182**

**PINBALL → Continental U.S. 1-800-323-3555**

**Bally MIDWAY**<sup>TM</sup>

10601 West Belmont Avenue, Franklin Park, Illinois, 60131

phone (312)451-9200

© COPYRIGHT MCMLXXXIV BY BALLY MIDWAY MFG. CO.

ALL RIGHTS RESERVED

NO PART OF THIS PUBLICATION MAY BE REPRODUCED BY ANY MECHANICAL, PHOTOGRAPHIC, OR ELECTRONIC PROCESS, OR IN THE FORM OF A PHONOGRAPHIC RECORDING, NOR MAY IT BE TRANSMITTED, OR OTHERWISE COPIED FOR PUBLIC OR PRIVATE USE, WITHOUT PERMISSION FROM THE PUBLISHER. THIS MANUAL IS FOR SERVICE USE ONLY, AND NOT FOR GENERAL DISTRIBUTION. FOR PERMISSION REQUESTS, WRITE: BALLY MIDWAY MFG. CO., 10601 W. BELMONT AVE., FRANKLIN PARK, IL 60131

Printed in U.S.A.

SPY HUNTER

TABLE OF CONTENTS

DESCRIPTION	PAGE
GAME OPERATION.....	1
SCORING POINT VALUES.....	2
OPTION SWITCH SETTINGS.....	3
 ILLUSTRATED PARTS BREAKDOWN	
SPY HUNTER SIT DOWN - FRONT.....	4
SPY HUNTER SIT DOWN - FRONT PARTS LIST.....	5-6
FLUORESCENT HEADER FIXTURE ASSY. & PARTS LIST.....	7
GEAR SHIFT ASSY. (UPRIGHT & SIT DOWN).....	8
GEAR SHIFT ASSY. (UPRIGHT & SIT DOWN) - PARTS LIST.....	9
ACCELERATOR PEDAL ASSEMBLY (SIT DOWN).....	10
ACCELERATOR PEDAL ASSEMBLY (SIT DOWN) - PARTS LIST.....	11
STEERING CONTROL ASSY. (UPRIGHT & SIT DOWN).....	12
STEERING CONTROL ASSY. (UPRIGHT & SIT DOWN) PARTS LIST.....	13
POWER CHASSIS ASSY. - 125VA, 115V.....	14
POWER CHASSIS ASSY. - 125VA, 115V - PARTS LIST.....	15
FRONT DOOR ASSY.....	16
FRONT DOOR ASSY - PARTS LIST.....	17
 SPY HUNTER <u>UPRIGHT NON-INTERCHANGEABLE</u> PARTS LISTS	
SPY HUNTER UPRIGHT - FRONT.....	1
SPY HUNTER UPRIGHT - FRONT PARTS LIST.....	2-3
ACCELERATOR PEDAL ASSEMBLY (UPRIGHT).....	4
ACCELERATOR PEDAL ASSEMBLY (UPRIGHT) - PARTS LIST.....	5
 SCHEMATICS & WIRING DIAGRAM	
WIRING DIAGRAM.....	1
VIDEO GENERATOR MCR III P.C. - COMPONENT LAYOUT.....	2
VIDEO GENERATOR MCR III P.C. - SCHEMATIC.....	3
SUPER SOUND I/O P.C. - COMPONENT LAYOUT.....	4
SUPER SOUND I/O P.C. - SCHEMATIC.....	5
CHEAP SQUEAK DELUXE - COMPONENT LAYOUT.....	6
CHEAP SQUEAK DELUXE - SCHEMATIC.....	7
SOUND I/O P.C. W/PANNING (SIT DOWN ONLY) - COMPONENT LAYOUT.....	8
SOUND I/O P.C. W/PANNING (SIT DOWN ONLY) - SCHEMATIC.....	9
LAMP DRIVER P.C. - COMPONENT LAYOUT.....	10
LAMP DRIVER P.C. - SCHEMATIC.....	11
ABSOLUTE POSITION P.C. - COMPONENT LAYOUT.....	12
ABSOLUTE POSITION P.C. - SCHEMATIC.....	13
CPU MCR III P.C. - COMPONENT LAYOUT.....	14
CPU MCR III P.C. - SCHEMATIC.....	15



# SPY HUNTER

## GAME OPERATION

### ATTRACT MODE

1. The Attract mode starts:
  - Just after power has been turned on to the game. (Self-Test switch is in the "OFF" position.)
  - After a Self-Test has been completed and there are no more credits left in the games memory.
  - After a play has been finished, the score was not high enough to put the game into the High Score/Initial mode, and there are no more credits left in the games memory.
  - After the High Score/Initial mode when there are no more credits left in its memory.
  - No matter where the game is in the Attract mode sequence, it will immediately go to the Ready-To-Play mode display as soon as a game has been paid for.

### READY-TO-PLAY MODE

1. The Ready-To-Play mode starts when enough coins have been accepted for a 1 player game.
2. The Ready-To-Play mode ends when the "WEAPONS VAN" push button is pressed (it also serves as a "START" button).

### PLAY MODE

1. The Play mode begins when the "WEAPONS VAN" push button is pressed (it also serves as a "START" button).
2. The Play mode ends when all of your CARS have been eliminated. When this happens, "GAME OVER" is written across the monitor screen.

### HIGH SCORE/INITIAL MODE:

If your score was high enough to become one of the ten best scores, the game will go into the High Score/Initial mode immediately after the "GAME OVER" display. If your score is not high enough to cause the game to go into the High Score/Initial mode, it will either go to the Attract mode (if there are no more credits left in its memory) or into the Ready-To-Play mode (if there are still credits left in its memory).

Follow the ON-SCREEN instructions to enter your initials next to your score in the league of the best ten players to date.

After the High Score/Initial mode, the game will either go to the Attract mode (if there are no more credits left in its memory) or into the Ready-To-Play mode (if there are still credits left in its memory).

# SPY HUNTER

## SCORING

DESCRIPTION	POINTS AWARDED	NOTES
BUMPER CAR	150 POINTS	ON THE ROAD
TIRE SLASHER	150 POINTS	ON THE ROAD
LIMO	500 POINTS	ON THE ROAD
SPEED BOAT	150 POINTS	IN THE WATER
TORPEDO BOAT	500 POINTS	IN THE WATER
HELICOPTER	700 POINTS	ROAD & WATER
STAYING ON ROAD	15 POINTS	FOR EACH 1/4 SCREEN TRAVELED
STAYING IN WATER	25 POINTS	FOR EACH 1/4 SCREEN TRAVELED

SPY HUNTER

OPTION SWITCH SETTINGS

//////////////////////////////////SWITCH NO. 1 - AT B 3 - LOCATED ON SOUND I/O P.C. BOARD//////////////////////////////////

<b>DURING GAME PLAY:</b>	SW#1	SW#2	SW#3	SW#4	SW#5	SW#6	SW#7	SW#8	SW#9	SW#10
	NOT	NOT	NOT	NOT	NOT	NOT	NOT	NOT	NOT	
	USED	USED	USED	USED	USED	USED	USED	USED	USED	

FREEZE VIDEO										<b>ON</b>
**NORMAL OPERATION										<b>OFF</b>

//////////////////////////////////SWITCH NO. 3 - AT D 14 - LOCATED ON SOUND I/O P.C. BOARD//////////////////////////////////

**NORMAL OPERATION	SW#1	*SW#2	*SW#3	*SW#4
SOUND I/O DIAGNOSTIC MODE	OFF			
	ON			

**NORMAL OPERATION	OFF
RAM/ROM TEST	ON
INDICATES TEST RESULTS VIA	
YELLOW L E D ON SOUND I/O	
BOARD:	
FAST FLASH = BAD ROM	
SLOW FLASH = BAD RAM	

**NORMAL OPERATION	OFF
OSCILLATOR TEST	ON

**NORMAL OPERATION	OFF
FILTER TEST	ON

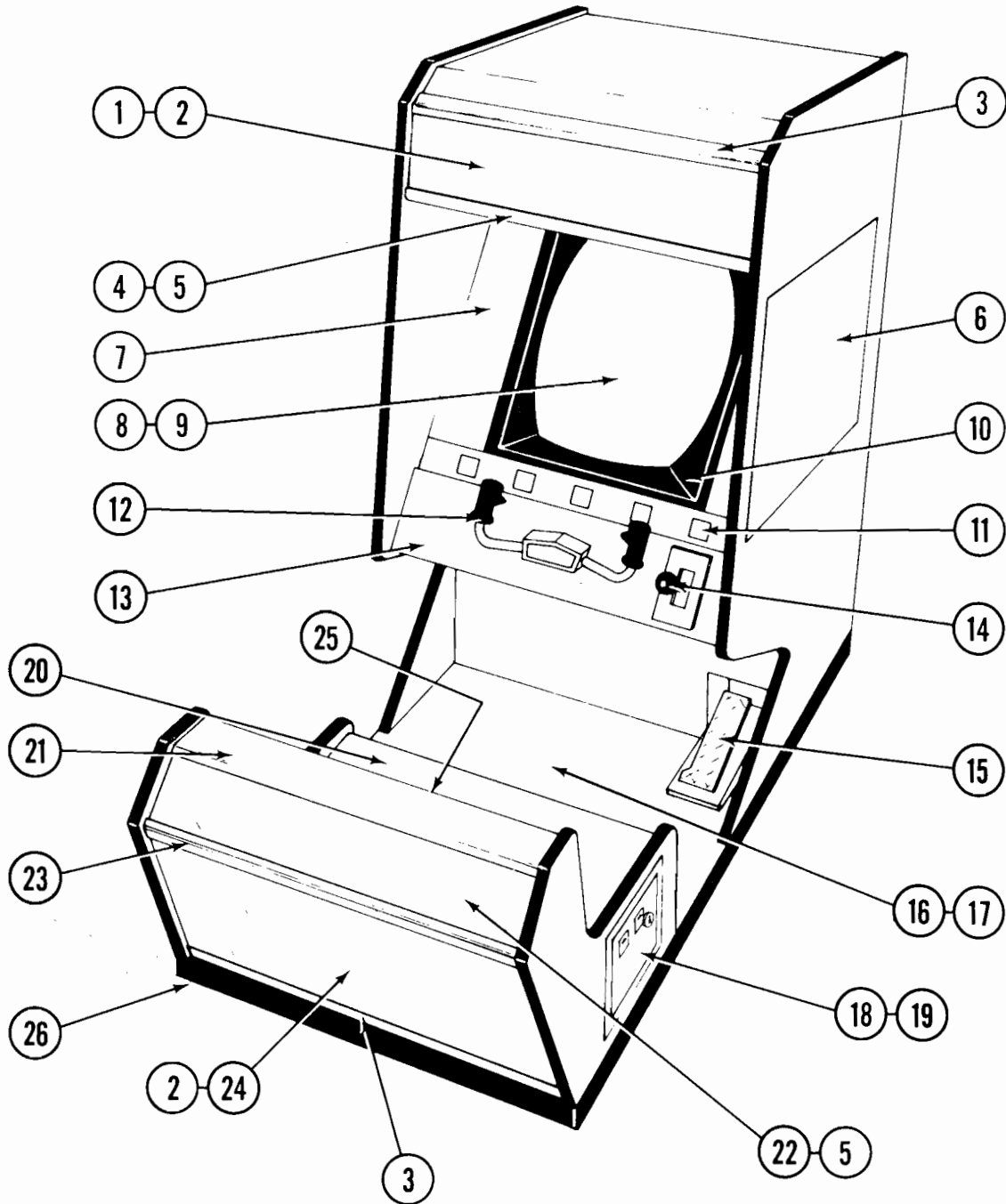
\*NO EFFECT IF SW#1 OF SWITCH NO. 3 IS IN THE "OFF" POSITION.

\*\*FACTORY RECOMMENDED SETTINGS.

**PART NO. M051-00307-A007**

THE REMAINDER OF YOUR NEW GAME'S MOST COMMON OPTION SETTINGS ARE CONDUCTED DURING THE **MACHINE SETUP** PORTION OF THE SELF-TEST MODE.

NO. 307 - SPY HUNTER SIT DOWN - FRONT



NOTE: DRAWING MAY DIFFER SLIGHTLY FROM ACTUAL ASSEMBLY



**NO. 307 - SPY HUNTER SIT DOWN - FRONT PARTS LIST**

ORDER BY PART NUMBER **ONLY**

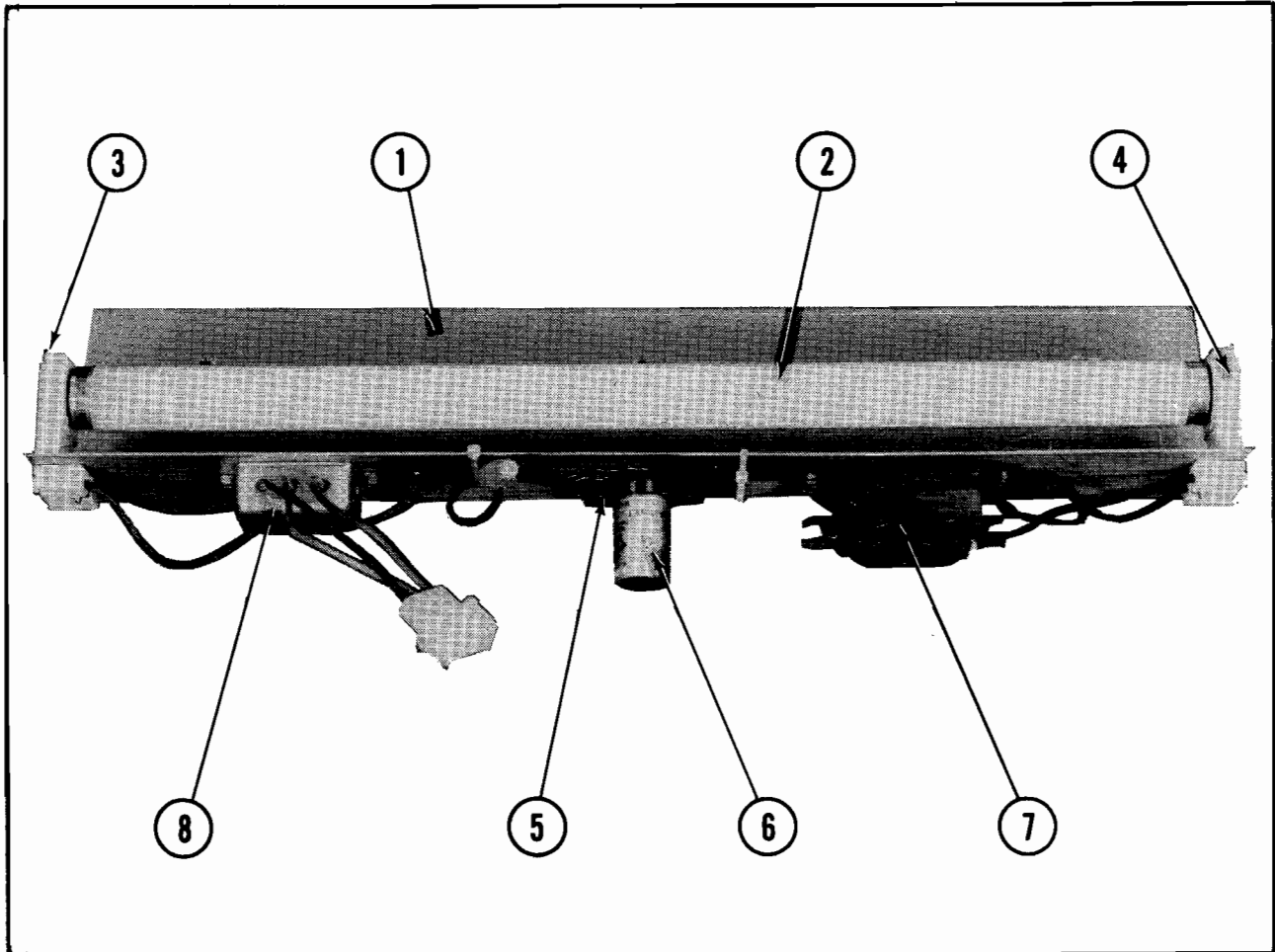
ITEM	PART NO.	DESCRIPTION
1	0307-00902-00XF	HEADER GLASS - MAIN
2	A595-00011-0000	HEADER FLUORESCENT LIGHT ASSY. (3 REQ'D)
3	0336-00103-00XF	HEADER RETAINER BRKT. (2 REQ'D)
	0017-00101-0138	#8X5/8 TORX PAN HD. TAMPER PROOF SCREW (4 REQ'D)
4	A307-00014-00XF	FRONT SPEAKER GRILLE ASSY.
5	0017-00003-0430	6"X9" SPEAKER 4 OHM, 10W (4 REQ'D)
	0017-00101-0136	#8-32X1-1/4 CARRIAGE BOLT (24 REQ'D)
	0017-00103-0061	#8-32 HEX NUT W/SEMS (24 REQ'D)
6	0307-00913-0100	DECAL - RIGHT
	0307-00913-0200	DECAL - LEFT
7	0307-00905-00XF	MAIN VIEWING GLASS
8	0017-00003-0339	ELECTROHOME - 19" COLOR HORIZ MONITOR (OR)
	0017-00003-0439	WELLS-GARDNER - 19" COLOR HORIZ MONITOR (OR)
	0017-00003-0454	ZENITH - 19" COLOR HORIZ MONITOR
	0349-00101-0000	MONITOR SUPPORT RAIL (2 REQ'D)
	0555-00901-0000	PLASTIC LOCATING PIN (4 REQ'D)
	0017-00101-0141	#8X11/16 UNSLOT HEX HD M.S. (8 REQ'D)
9	0314-00902-0000	PLEXI - GLASS
	0508-00901-0000	PLEXI - GLASS MTG CLIPS (4 REQ'D)
	0017-00101-0017	#6X1/2 BLK SLT HEX HD SCR (4 REQ'D)
10	0307-00918-0000	T.V. BEZEL
11	A307-00044-0000	LIGHT PANEL ASSY.
	0360-00935-0000	SMALL SHADOW BOX (5 REQ'D)
	0017-00003-0219	#194 WEDGE BASE LAMP -14V., .27A. (5 REQ'D)
	0017-00031-0030	WEDGE BASE LAMP SOCKET (5 REQ'D)
12	A307-00018-0000	WELD STUD & CONTROL SHELF ASSY.
	0307-00911-0000	DECORATIVE OVERLAY
	0307-00132-0100	CONTROL SHELF MTG. BRKT. - RIGHT
	0307-00132-0200	CONTROL SHELF MTG. BRKT. - LEFT
	0555-00901-0000	PLASTIC LOCATING PINS (4 REQ'D)
	0017-00009-0534	BASSICK CLAMP (2 REQ'D)
	0610-00132-00ZN	STRIKE (2 REQ'D)
	0017-00101-0141	#8X11/16 UNSLOT HEX HD SCR (12 REQ'D)
	0307-00117-00XF	CONTROL SHELF HINGE
13	A307-00042-0000	CONTROL HANDLE ASSY.
14	A307-00038-0000	GEAR SHIFT ASSY.
15	A307-00033-0000	ACCELERATOR PEDAL ASSY.
16	0307-00116-0000	FLOOR
17	0307-00917-0000	DECORATIVE FLOOR OVERLAY
	0017-00101-0138	#8X5/8 TORX PAN HD. TAMPER PROOF SCR (8 REQ'D)
18	A982-00014-0004	50 ¢ DOUBLE COIN DOOR & CABLE ASSY.
	0017-00009-0477	MOLDED CASH BOX
	A894-00025-0000	CASH BOX COVER ASSY.
	A894-00024-0000	CASH BOX SIDE CHANNEL ASSY. - LONG
	0894-00121-0000	CASH BOX SIDE CHANNEL - LONG
19	0090-00002-04BK	LARGE COIN DOOR FRAME
	0017-00101-0121	#6-32X5/16 PHIL TRS HD SCR. (3 REQ'D)(MOUNTS COIN DOOR TO FRAME)
20	0307-00919-0000	SEAT ARRANGEMENT

**NO. 307 - SPY HUNTER SIT DOWN - FRONT PARTS LIST**

**ORDER BY PART NUMBER ONLY**

<b>ITEM</b>	<b>PART NO</b>	<b>DESCRIPTION</b>
21	0307-00121-00XF	SEAT COPING
22	0307-00903-00XF	REAR SEAT HEADER - INSTRUCTIONS
23	0307-00119-00XF	REAR HEADER BRKT. - MIDDLE
	0017-00101-0138	#8X5/8 TORX PAN HD TAMPER PROOF SCREW (13 REQ'D)
24	0307-00904-00XF	DISPLAY HEADER REAR - BOTTOM
25	A307-00015-00XF	REAR SPEAKER GRILLE ASSY. (NOT SEEN)
26	0017-00102-0048	3/8-16X2" LEG LEVELERS (8 REQ'D)
	0017-00103-0026	3/8-16 LEG LEVELERS HEX NUTS (8 REQ'D)
		<b>ADDITIONAL PARTS LIST</b>
	A307-00007-0000	CARD RACK W/BOARDS ASSY.
	A084-91657-A307	SOUND I/O P.C. BOARD ASSY.
	A307-00025-0000	SHIELD & BARRIER ASSY.
	0017-00101-0339	#6-32X3/8 PHIL RND. HD. SCREW (4 REQ'D)
	A084-91442-AA27	C.P.U. MCR-3 P.C. BOARD ASSY.
	A307-00026-0000	SHIELD ASSY. - INNER
	A084-91433-AA27	VIDEO GEN. MCR-3 P.C. BOARD ASSY.
	A307-00027-0000	SHIELD ASSY. - OUTER
	0017-00101-0153	#6-32X1" PHIL RND. HD. SCREW (8 REQ'D)
	A088-00016-0000	INTERLOCK SWITCH & SPRING BRKT. ASSY.
	0303-00904-0000	INTERLOCK SWITCH COVER
	A945-00038-0000	ON-OFF SWITCH & PLATE ASSY.
	A307-00034-0000	MULTIFUNCTION SWITCH/BRACKET ASSY.
	A945-00020-0000	POWER CHASSIS ASSY. - 125VA., 115V
	A945-00019-0000	LINE CORD ASSY. - 115V
	A084-91648-A000	DUAL POWER AMP W/MIXER ASSY. (2 REQ'D)
	A084-91649-C000	ABSOLUTE POSITION P.C. ASSY.
	A084-91673-B000	LAMP DRIVER P.C. BOARD ASSY.
	A084-91671-AA27	CHEAP SQUEAK P.C.B. ASSY.
	A084-90412-D000	POWER SUPPLY - 125VA
	0624-00902-0100	P.C. SUPPORT BRKT. - 12" LG (2 REQ'D)
	0624-00902-0200	P.C. SUPPORT BRKT. - 10" LG (2 REQ'D)
	0624-00902-0400	P.C. SUPPORT BRKT. - 4" LG (2 REQ'D)
	0624-00902-0500	P.C. SUPPORT BRKT. - 6-1/2" LG (2 REQ'D)
	0017-00104-0037	#8 FLAT WASHER (20 REQ'D)
	0017-00101-0141	#8X11/16 UNSLOT HEX HD. SCR. (20 REQ'D)
	A097-00009-0000	BACK DOOR LOCK ASSY.
	0618-00117-00XF	VENT GRILLE (4 REQ'D) - BACK DOOR

**HEADER FLOURESCENT FIXTUTRE ASSY.**

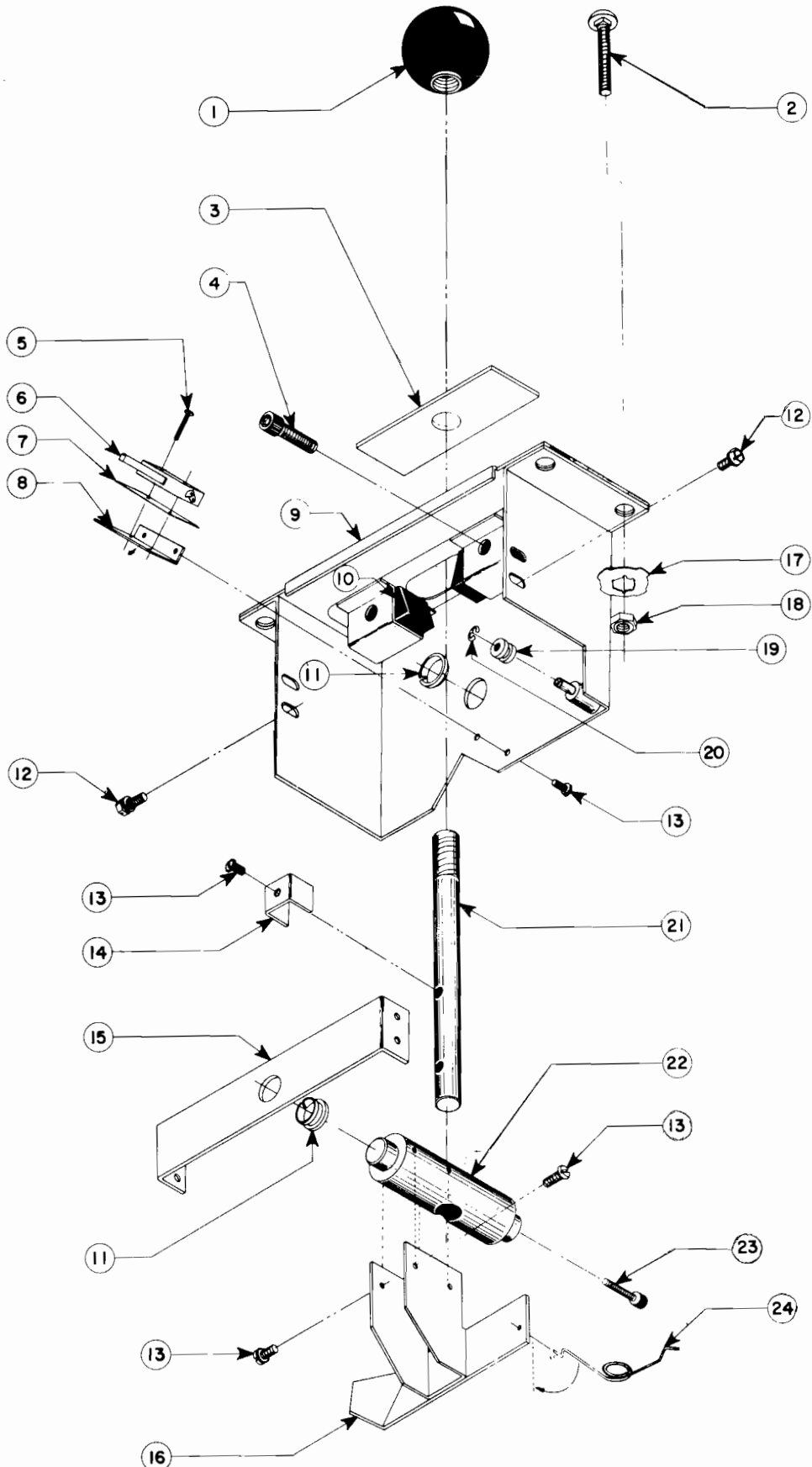


**HEADER FLOURESCENT FIXTUTRE ASSY. - PARTS LIST**

*ORDER BY PART NUMBER ONLY*

ITEM	PART NO.	DESCRIPTION
1	0595-00105-0000	FLUORESCENT BRKT.
2	0017-00003-0043	18" COOL WHITE FLUORESCENT LAMP
3	0017-00003-0445	LAMP LOCKS (2 REQ'D.)
4	0017-00031-0036	FLUORESCENT SOCKET (2 REQ'D.)
5	0017-00003-0412	FLUORESCENT STARTER HOLDER W/LEADS
	0017-00101-0573	#6-32 x 1/2 PHIL. RND. HD. M.S. (4 REQ'D.)
	0017-00104-0009	#6 EXT. WASHER (4 REQ'D.)
6	0017-00003-0019	FLUORESCENT STARTER
7	0017-00003-0026	BALLAST
	0017-00101-0598	#8-32 x 5/16 SLT. HEX HD. SCR. (4 REQ'D.)
8	A961-00042-0000	LINE FILTER ASSY.

# SPY HUNTER - GEAR SHIFT ASSY.



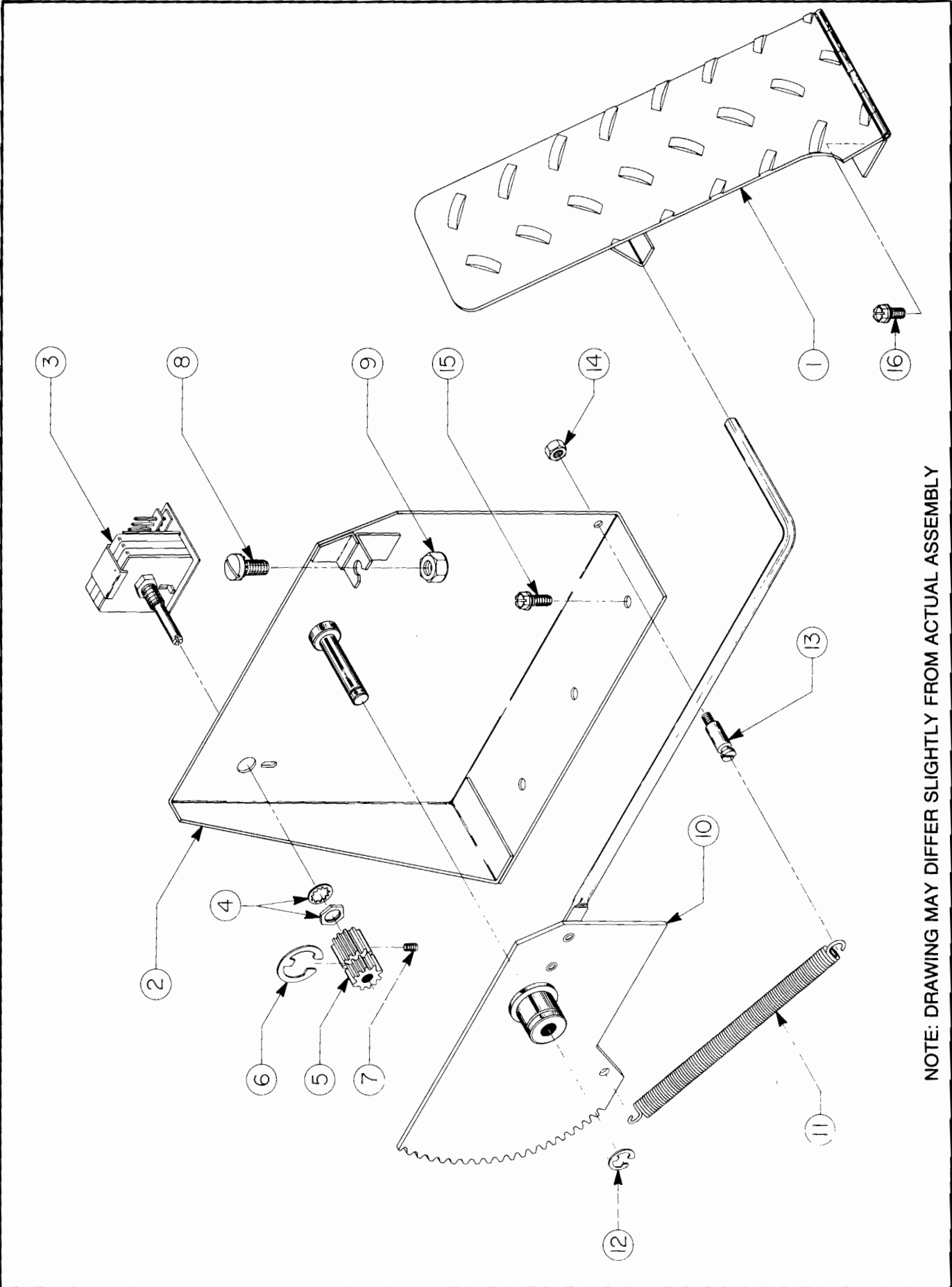
NOTE: DRAWING MAY DIFFER SLIGHTLY FROM ACTUAL ASSEMBLY

**SPY HUNTER - GEAR SHIFT ASSY. - PARTS LIST**

ORDER BY PART NUMBER ONLY

ITEM	PART NO.	DESCRIPTION
1	0017-00009-0561	BALL KNOB
2	0017-00102-0019	1/4-20X1-1/2 CARRIAGE BOLT (4 REQ'D)
3	0307-00912-0000	ROUND SLIDE
4	0017-00101-0668	#10-32X1" HEX SOCKET HD CAP SCREW (2 REQ'D)
5	0017-00101-0155	#4-40X9/16 PHIL PAN HD M.S. (2 REQ'D)
6	0017-00032-0006	CHERRY SWITCH
7	0307-00916-0000	SWITCH INSULATOR
8	0307-00133-0000	SWITCH MTG BRKT.
9	A307-00040-0000	CONTROL HOUSING/BEARING ASSY.
10	0941-00905-0000	BUMPERS (2 REQ'D)
11		NOT USED
12	0017-00101-0179	#10-32X3/8 PHIL PAN HD M.S. (4 REQ'D)
13	0017-00101-0593	#8-32X1/4 PAN HD M.S. W/SEMS (6 REQ'D)
14		NOT USED
15	A307-00041-0000	PLATE/BEARING ASSY.
16	A307-00036-0000	BRACKET & PLATE ASSY.
17	0017-00104-0014	PERIPHERY WASHER (4 REQ'D)
18	0017-00103-0018	1/4-20 HEX NUT (4 REQ'D)
19	0591-00702-0000	ROLLER SPRING
20	0017-00100-0015	5/32" E-RING
21	0307-00709-00XF	GEAR SHIFT ROD
22	0307-00702-00XF	PIVOT BUSHING
	A307-00039-0000	SHIFT & ROD ASSY. (ITEMS 21 & 22)
23		NOT USED
24	0010-00227-0000	TORSION SPRING

SPY HUNTER - ACCELERATOR PEDAL ASSY. SIT DOWN



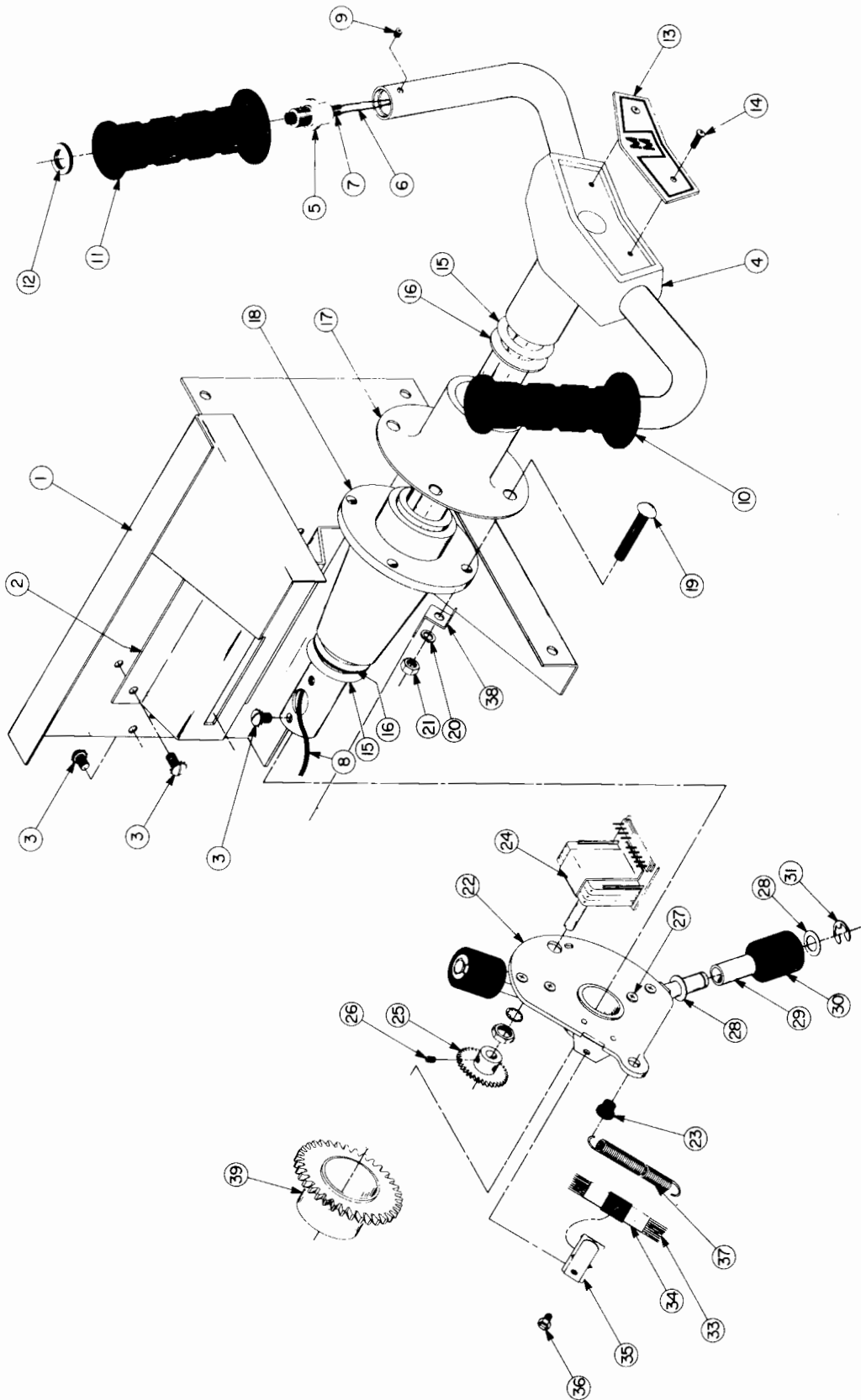
NOTE: DRAWING MAY DIFFER SLIGHTLY FROM ACTUAL ASSEMBLY

**SPY HUNTER - ACCELERATOR PEDAL ASSY. SIT DOWN - PARTS LIST**

ORDER BY PART NUMBER ONLY

ITEM	PART NO.	DESCRIPTION
1	A307-00016-00XF	ACCELERATOR PEDAL & HINGE ASSY.
2	A307-00017-0000	MOUNTING BRKT. ASSEMBLY
3	105E-00004-0002	POT
4		NOT USED
5	0307-00708-0000	GEAR
	A307-00032-0000	POT & GEAR ASSY. (ITEMS 3 & 5)
6		NOT USED
7		NOT USED
8	0017-00101-0785	1/4-20X1/4 SLT PAN HD EXT. M.S.
9	0653-00734-0000	STOP-POT LIMIT
10	A307-00024-0000	GEAR & LEVER ASSY.
11	0010-00228-0000	PEDAL SPRING
12	0017-00100-0122	E-RING
13	0307-00703-00XF	POST-PIVOT
14	0017-00103-0081	#10-32 HEX NUT W/SEMS
15	0017-00101-0769	#10X3/4 SLT HEX HD W/WASHER M.S. (3 REQ'D)
16	0017-00101-0598	#8-32X5/16 SLT HEX HD M.S. (2 REQ'D)
	0921-00700-0000	PLASTIC ACTUATOR - (GEAR & LEVER ASSY. SHAFT)
	0307-00125-00XF	ACCEL. PEDAL & CONTROL MTG. BRKT. - (FLOOR PLATE)
	0307-00124-00XF	PLATE COVER - (WALL PLATE)

SPY HUNTER - STEERING CONTROL ASSY.



NOTE: DRAWING MAY DIFFER SLIGHTLY FROM ACTUAL ASSEMBLY

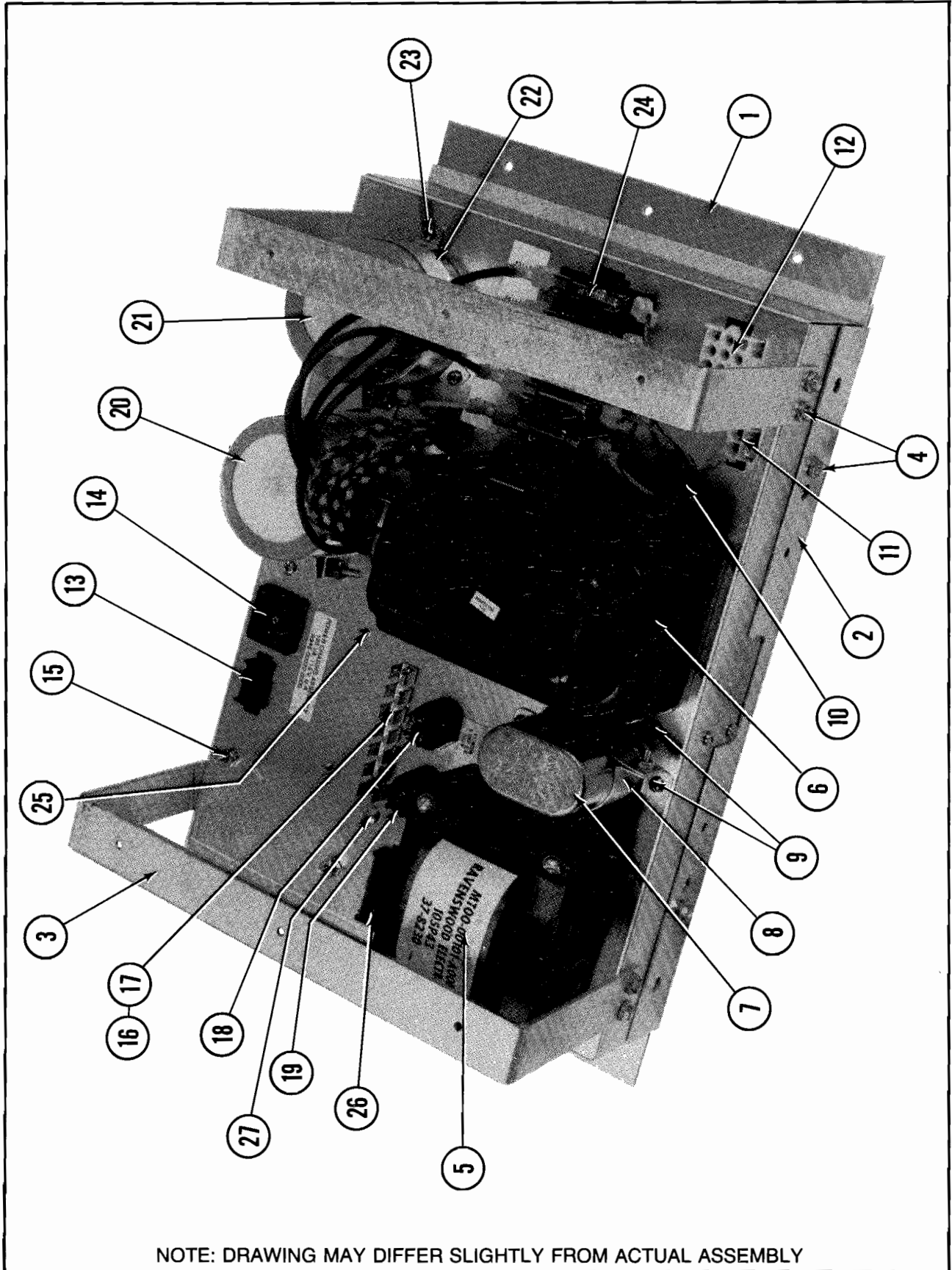


**SPY HUNTER - STEERING CONTROL ASSY. - PARTS LIST**

ORDER BY PART NUMBER ONLY

ITEM	PART NO.	DESCRIPTION
1	A307-00023-0000	BASE & BRACE ASSY.
2	0307-00114-0000	STOP BRKT.
3	0017-00101-0179	#10-32X3/8 PHIL PAN HD. S.M.S. (4 REQ'D)
4	A307-00028-0000	BASE, TUBE & HANDLE ASSY.
5	0017-00032-0130	PUSH BUTTON SWITCH (2 REQ'D)
	0017-00032-0132	MICRO SWITCH (2 REQ'D)
	0307-00909-0000	RED BUTTON (2 REQ'D)
	0307-00123-01XF	SWITCH MTG. BRKT. - RIGHT
	0307-00123-02XF	SWITCH MTG. BRKT. - LEFT
	0307-00908-0000	TRIGGER (2 REQ'D)
6-9		NOT USED
10	A307-00013-0200	GRIP ASSY. - LEFT
11	A307-00013-0100	GRIP ASSY. - RIGHT
12		NOT USED
13	0307-00100-00XF	STEERING WHEEL BASE PLATE
	0017-00032-0129	ILLUMINATED R.P.B. SWITCH
14	0017-00101-0149	#10-32X3/8 BUT. HD. M.S. (2 REQ'D)
	0307-00910-0000	7" BELLOW (MOUNTED ON HANDLE TUBE) (2 REQ'D)
15	0017-00041-0617	RING - NEOPRENE (2 REQ'D)
16	0645-00913-0000	WASHER - FRICTION (2 REQ'D)
17	0645-00905-0000	SHROUD
18	A645-00012-0000	PEDESTAL ASSY.
19	0017-00102-0019	1/4-20X1-1/2 CARRIAGE BOLT (4 REQ'D)
20	0017-00104-0005	1/4 - SPLIT LOCK WASHER (4 REQ'D)
21	0017-00103-0019	1/4-20 LOCK NUT (4 REQ'D)
22	A307-00022-0000	STOP PLATE ASSY.
23	0017-00042-0624	SNAP BUSHING - 3/16" (4 REQ'D)
24	105E-00004-0002	POT
25	0307-00708-0000	GEAR
	A307-00032-0000	POT & GEAR ASSY. (ITEMS 24-26)
26	0017-00007-0065	ROLL PIN
27	0017-00101-0658	#10-32X5/8 PHIL PAN HD. M.S. (4 REQ'D)
28	0017-00104-0032	FLAT WASHER (4 REQ'D)
29	0645-00906-0000	BEARING (2 REQ'D)
30	0307-00914-0000	RUBBER BUMPER (2 REQ'D)
31	0017-00100-0031	E-RING - 5/16" (2 REQ'D)
32-36		NOT USED
37	0010-00275-0379	EXTENSION SPRING (2 REQ'D)
38		NOT USED
39	0307-00705-0000	42 TOOTH GEAR
	0307-00113-0000	POT MTG. BRKT.
	A307-00046-0000	PLATE & BEARING ASSY.

— POWER CHASSIS ASSY. — 125VA., 115V.

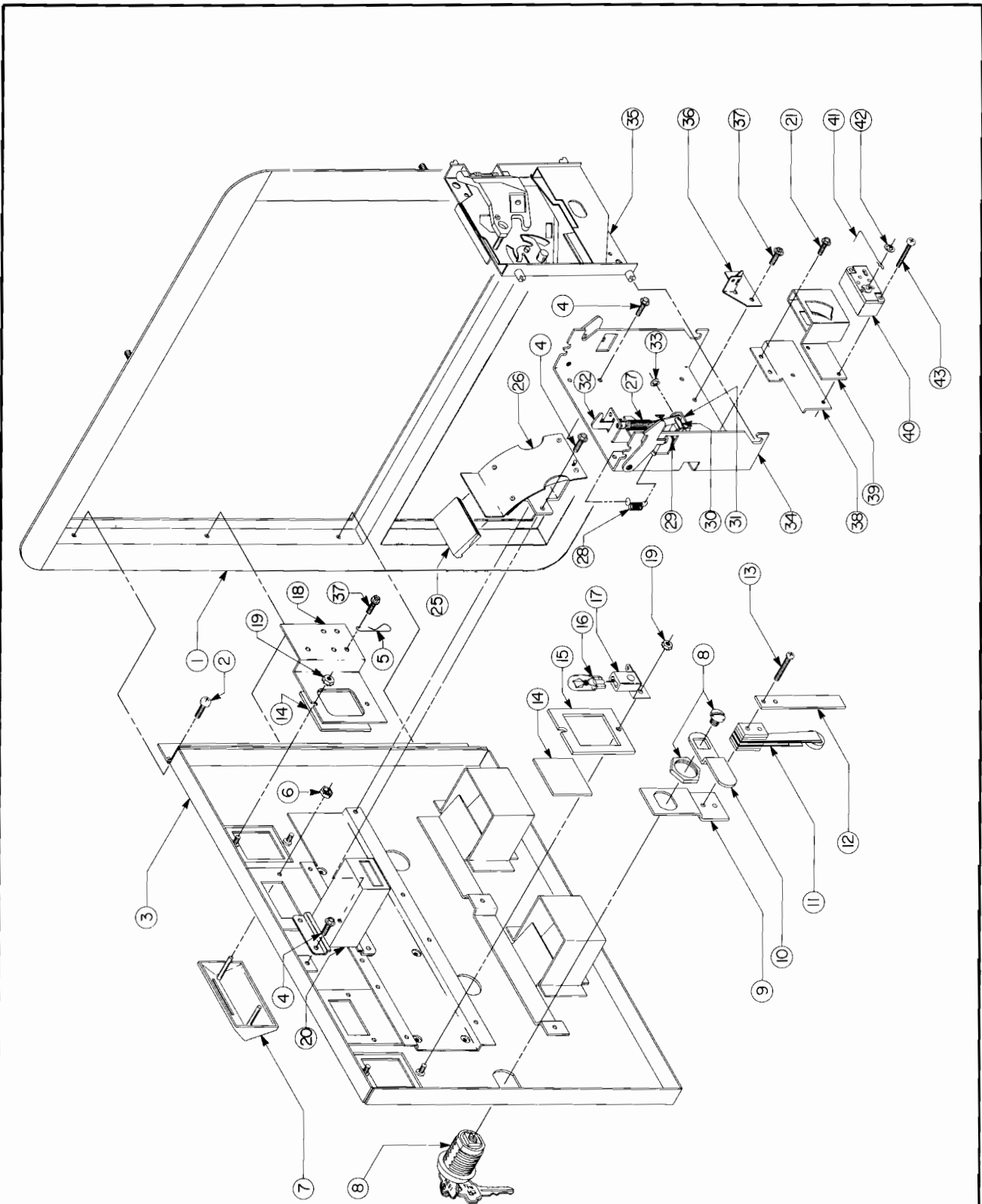


**POWER CHASSIS ASSY.—125VA., 115V.—PARTS LIST**

ORDER BY PART NUMBER ONLY

ITEM	PART NO.	DESCRIPTION
1	A945-00046-00XF	CHASSIS & PARTITION ASSY.
2	A945-00029-0100	MTG. PLATE & BARRIER ASSY.
3	0945-00107-01XF	STRAP (2 REQ'D.)
4	0017-00101-0123	#8 x 1/4 UNSLOT. HEX HD. SCR. (12 REQ'D.)
5	MT00-00101-A000	ISOLATION TRANSFORMER W/O SHIELD ASSY. — 115V., 50/60 HZ.
	0017-00103-0061	#8-32 HEX NUT W/SEMS (4 REQ'D.)
6	MT00-00099-A000	POWER TRANSFORMER ASSY. — 115V., 60 HZ.
	0017-00103-0084	#6-32 HEX NUT W/SEMS (4 REQ'D.)
7	0175-181T4-GXJK	CAPACITOR — 3.5 M.F., 440V.
8	0017-00009-0535	CLAMP
	0017-00101-0565	#6-32 x 7/16 SLT. PAN HD. SCR.
	0017-00103-0084	#6-32 HEX NUT W/SEMS
9	0017-00101-0067	#6 x 3/8 PHIL. PAN HD. SCR. (11 REQ'D.)
10	0945-00902-0000	SNAP BUSHING (3 REQ'D.)
11	0017-00021-0297	2 POSITION CONNECTOR
12	A945-00030-0100	CONNECTOR & CABLE ASSY. #1
13	A945-00030-0200	CONNECTOR & CABLE ASSY. #2
14	A945-00021-0000	CONVENIENCE OUTLET ASSY.
15	0017-00101-0573	#6-32 x 1/2 PHIL. RND. HD. SCR. (2 REQ'D.)
	0017-00103-0084	#6-32 HEX NUT W/SEMS (2 REQ'D.)
	A945-00025-0000	FILTER ASSEMBLY — 125V. — UNDER CHASSIS (NOT SEEN)
16	0017-00021-0510	TERMINAL STRIP
17	0017-00101-0140	#4-40 x 5/16 PHIL. PAN HD. SCR. (2 REQ'D.)
18	0017-00003-0263	SLO-BLO FUSE — 4A., 250V.
19	0017-00003-0005	FUSE — 2A., 250V.
	0017-00003-0444	QUICK CONN. FUSEHOLDER (2 REQ'D.) — FOR ABOVE FUSES
20	0945-00816-1902	CAPACITOR — 100,000 M.F.
21	0945-00816-1901	CAPACITOR — 55,000 M.F.
	0017-00104-0107	#10 FLAT WASHER (4 REQ'D.)
	0017-00103-0081	#10-32 HEX NUT W/SEMS (4 REQ'D.)
22	0017-00009-0422	CLAMP (2 REQ'D.)
	0017-00101-0758	#8-32 x 3/4 PHIL. RND. HD. SCREW (2 REQ'D.)
	0017-00103-0061	#8-32 HEX NUT W/SEMS (2 REQ'D.)
23	0017-00101-0067	#6 x 3/8 PHIL. PAN HD. SCR. (6 REQ'D.)
24	0945-00904-0000	5 POSITION FUSE HOLDER
	0017-00003-0263	SLO-BLO FUSE — 4A., 250V.
	0017-00003-0217	SLO-BLO FUSE — 2.5A., 250V. (2 REQ'D.)
	0017-00003-0007	SLO-BLO FUSE — 3A., 250V. (2 REQ'D.)
	0945-00903-0000	FUSE HOLDER BARRIER
	A945-00022-0000	HEATSINK & DIODE ASSY.
	0017-00101-0067	#6 x 3/8 PHIL. PAN HD. SCR. (2 REQ'D.)
25	0017-00101-0780	#6 x 1/2 PHIL. PAN HD. SCREW (2 REQ'D.)
	0017-00021-0629	5 POSITION TERMINAL STRIP — (UNDER CHASSIS)
	A945-00019-0000	LINE CORD ASSY. — 115V. (NOT SHOWN)
26	A945-00030-0500	CONNECTOR & CABLE ASSY.
27	0017-00101-0660	#10-32 x 3/4 PAN HD. SCREW
	0017-00104-0107	#10 FLAT WASHER
	0017-00103-0081	#10-32 HEX NUT W/SEMS

FRONT DOOR ASSEMBLY - U.S.A. 50¢



NOTE: DRAWING MAY DIFFER SLIGHTLY FROM ACTUAL ASSEMBLY

FRONT DOOR ASSEMBLY - U.S.A. 50¢ - PARTS LIST

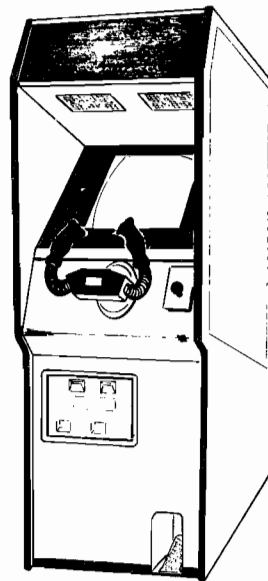
ORDER BY PART NUMBER ONLY

ITEM	PART NO.	DESCRIPTION
1	A090-00603-00XF	DOUBLE ENTRY COIN DOOR FRAME
2	0017-00101-0121	#6-32x5/16 PHIL. TRS. HD. SCR. (3 REQ'D)
3	A090-00073-02BK	DOUBLE ENTRY COIN DOOR W/DRESS PLATE
4	0017-00101-0123	#8x1/4 UNSLOT HEX HD. SCREW (12 REQ'D)
5	0017-00007-0019	KEY HOOK
6	0017-00103-0059	PUSH NUT (4 REQ'D)
7	0090-00912-0000	COIN ENTRY PLATE - 25¢ (2 REQ'D)
8	A097-00005-0000	DOOR LOCK & KEY W/SCREW & NUT (OR)
	A097-00006-0000	DOOR LOCK & KEY W/SCREW & NUT
9	0090-00128-00XF	DOOR TILT SWITCH BRKT.
10	0017-00005-0041	DOOR CAM
11	A090-00095-0000	DOOR TILT SWITCH
12	0090-00126-03XF	SWITCH BACK-UP PLATE
13	0017-00101-0525	#5-40x9/16" PHIL. HD. M.S. (2 REQ'D)
	A090-00096-0000	DOOR TILT SWITCH & BRKT. ASSY. (ITEMS 9 & 11 THRU 13)
14	0090-00903-4800	PLEXI PLATE 2x25 CENT 1 PLAY (2 REQ'D)
15	0090-00143-00XF	COIN PLEX RETAINER
16	0017-00003-0219	12 VOLT LAMP - G.E. #194 (2 REQ'D)
17	0017-00031-0048	WEDGE SOCKET W/BRKT. (2 REQ'D)
18	A090-00100-0000	BRKT. ASSY.
19	0017-00103-0084	#6-32 HEX NUT W/SEMS (4 REQ'D)
20	A090-00089-0000	COIN METER W/DIODE
21	0017-00101-0124	#6x1/4 UNSLOT HEX HD. SCR. (4 REQ'D)
25	0090-00911-0000	INSULATOR (2 REQ'D)
26	A090-00112-0000	COIN CHUTE & INSULATOR ASSY. (2 REQ'D)
27	0010-00134-0000	SPRING
28	0010-00181-0000	SPRING
29	0017-00007-0083	1/8x1-5/8 ROLL PIN
30	0090-00129-00XF	PIVOT POST
31	0090-00167-00XF	PIVOT LEVER
32	0090-00182-00XF	REJECT LEVER
33	0017-00100-0018	E-RING
	A090-00088-0000	REJECT LEVER ASSY. (2 REQ'D) (ITEMS 30 THRU 33)
34	A090-00117-0000	COIN ACCEPTOR FRAME ASSY. (2 REQ'D)
35	0017-00005-0003	COIN ACCEPTOR W/STRING CUTTER (2 REQ'D) (OR)
	0017-00005-0211	COIN ACCEPTOR W/ANTI STRING DEVICE (2 REQ'D) (OR)
	0017-00005-0214	COIN ACCEPTOR W/STRING CUTTER (2 REQ'D)
36	A090-00064-0000	ANTI-PENNY DEVICE
37	0017-00101-0099	#6x1/4 SLT. HEX HD. M.S. (2 REQ'D)
38	0090-00162-00XF	COIN SWITCH MTG. BRKT.
39	0017-00005-0203	COIN SWITCH CHUTE
40	0017-00005-0195	COIN SWITCH
41	0010-00599-0000	COIN SWITCH WIRE
42	0017-00007-0015	PUSH-ON RING
	A090-00059-0400	COIN SWITCH & WIRE ASSY. (ITEMS 40 THRU 42)
43	0017-00101-0147	#4-40x3/4 PHIL. PAN HD. M.S. (2 REQ'D)
	A090-00077-0000	COIN GUIDE & SWITCH ASSY. (ITEMS 38 THRU 43)



# SPY HUNTER UPRIGHT PARTS LIST

THAT ARE NOT INTERCHANGEABLE  
WITH THE SIT DOWN MODEL



*Bally*

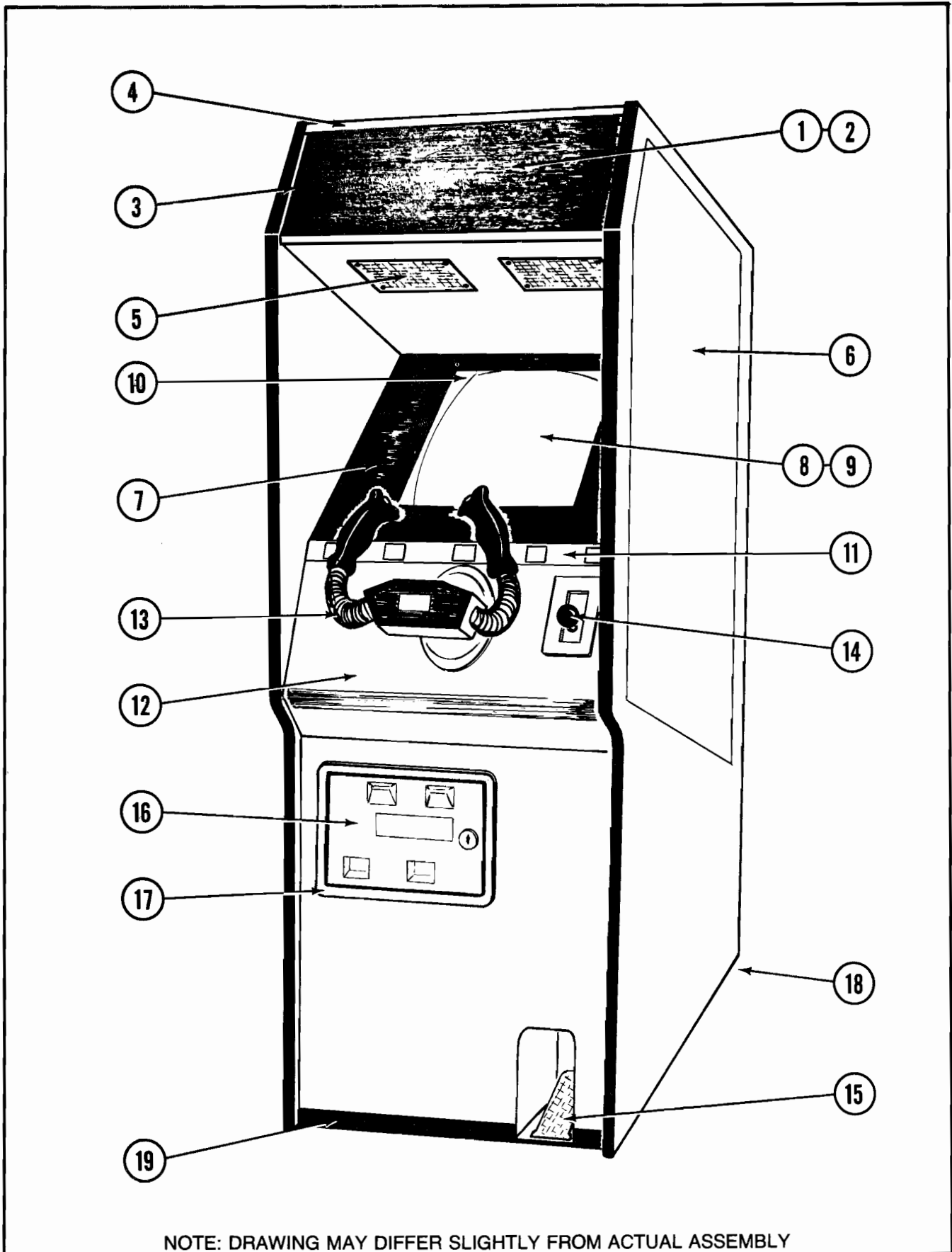
MIDWAY MFG. CO.

10601 W. Belmont Avenue  
Franklin Park, Illinois 60131  
U.S.A.



Phone: (312) 451-9200 Cable Address: MIDCO Telex No.: 72-1596

NO. 0A27 - SPY HUNTER UPRIGHT - FRONT



NOTE: DRAWING MAY DIFFER SLIGHTLY FROM ACTUAL ASSEMBLY



**NO. 0A27 - SPY HUNTER UPRIGHT - FRONT PARTS LIST**

**ORDER BY PART NUMBER ONLY**

<b>ITEM</b>	<b>PART NO.</b>	<b>DESCRIPTION</b>
1	0A27-00900-00XF	HEADER GLASS
2*	A595-00011-0000	HEADER LIGHT ASSY.
3	0537-00903-0052	GLASS CHANNEL - 8-1/2" LG (2 REQ'D)
4	0574-00903-0100	HEADER RETAINER BRKT. (2 REQ'D)
	0017-00101-0138	#8x5/8 TORX TAMPER PROOF SCREW (10 REQ'D)
	0017-00009-0522	LONG ARM KEY T-20 (FOR ABOVE SCREW)
5	0017-00003-0430	6"x9" SPEAKER - 4 OHM, 10W. (2 REQ'D)
	Q130-00002-0000	SPEAKER COVER (2 REQ'D)
	0017-00101-0127	#8-32x1-1/2" CARRIAGE BOLT (8 REQ'D)
	0017-00103-0061	#8-32 HEX NUT W/SEMS (8 REQ'D)
6	0A27-00903-0000	DECAL (2 REQ'D)
7	0A27-00901-00XF	MAIN VIEWING GLASS
8	Q200-00019-0000	19" COLOR VERTICAL MONITOR
	A353-00023-0000	VERTICAL MONITOR MTG. BRKT. ASSY. (2 REQ'D)
	0555-00901-0000	PLASTIC LOCATING PIN (4 REQ'D)
	0017-00101-0141	#8x11/16 UNSLOT HEX HD. M.S. (8 REQ'D)
9	0314-00902-0000	PLEXI-GLASS
	0508-00901-0000	PLEXI-GLASS MTG PLATE
	0017-00101-0017	#6x1/2 BLACK SLT. HEX HD. SCR. (4 REQ'D)
10	0307-00918-0000	T.V. BEZEL
	0508-00106-0000	BEZEL MTG. BRKT.
11	A307-00044-0000	LIGHT PANEL ASSY.
	0360-00935-0000	SMALL SHADOW BOX (5 REQ'D)
	0017-00003-0219	#194 WEDGE BASE LAMP -14V., .27A. (5 REQ'D)
	0017-00031-0030	WEDGE BASE LAMP SOCKET (5 REQ'D)
12	AA27-00014-0000	CONTROL PLATE & WELD STUDS ASSY.
	0307-00911-0000	DECORATIVE OVERLAY
	0307-00132-0100	CONTROL SHELF MTG. BRKT. - RIGHT
	0307-00132-0200	CONTROL SHELF MTG. BRKT. - LEFT
	0555-00901-0000	PLASTIC LOCATING PINS (4 REQ'D)
	0017-00009-0534	BASSICK CLAMP (2 REQ'D)
	0610-00132-00ZN	STRIKE (2 REQ'D)
	0017-00101-0141	#8x11/16 UNSLOT. HEX HD. SCREW (12 REQ'D)
	0307-00117-00XF	CONTROL SHELF HINGE
	A307-00005-0000	CONTROL SHELF CABLE ASSY.
13*	A307-00042-0000	CONTROL HANDLE ASSY.
14*	A307-00038-0000	GEAR SHIFT ASSY.
15	AA27-00018-0000	ACCELERATOR PEDAL ASSY.
	0A27-00105-00XF	ACCELERATOR BASE (FLOOR PLATE)
	0A27-00104-00XF	ACCELERATOR BOX COVER (WALL PLATE)
16	A982-00014-0000	COIN DOOR & CABLE ASSY. - U.S.A. 25¢
	A950-00004-0000	COIN BOX COVER
	A950-00006-0100	WIRE COIN BOX CRADLE ASSY.
	0950-00105-0000	COIN BOX COVER
	0950-00104-0000	COIN BOX HANDLE
	0950-00101-0000	COIN DEFLECTOR (2 REQ'D)
	0950-00900-0000	LARGE PLASTIC COIN BOX
	0950-00103-0000	COIN BOX DIVIDER - OPTIONAL

**\*SEE SIT DOWN CATALOG FOR ILLUSTRATED PARTS BREAK DOWN**

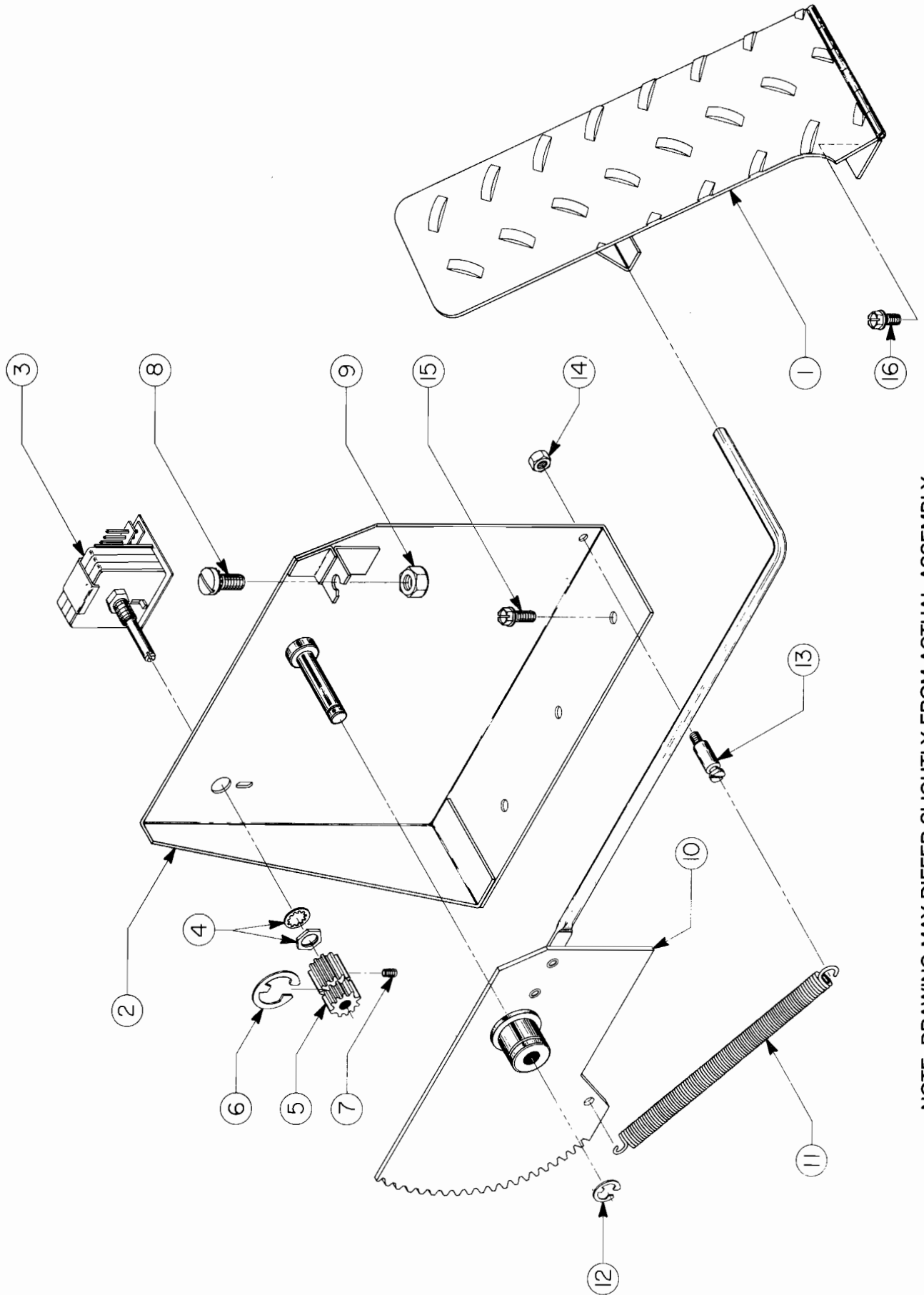
**NO. 0A27 - SPY HUNTER UPRIGHT - FRONT PARTS LIST**

ORDER BY PART NUMBER ONLY

ITEM	PART NO.	DESCRIPTION
16	0017-00101-0142 0017-00104-0014 0017-00103-0000	1/4-20x1-3/8 BLACK RND. HD. BOLT (4 REQ'D) 7/8" DISH WASHER (4 REQ'D) 1/4-20 HEX NUT (4 REQ'D)
17	0090-00002-04BK 0017-00101-0121	LARGE COIN DOOR FRAME #6-32x5/16 PHIL. TRS. HD. SCR. (3 REQ'D)
18	0017-00102-0048 0017-00103-0026	3/8-16x2" LEG LEVELERS (4 REQ'D) 3/8-16 LEG LEVELER HEX NUTS (4 REQ'D)
19	0A27-00108-00XF 0017-00101-0138 0017-00101-0179	BOTTOM TRIM PLATE #8x5/8 TORX TAMPER PROOF SCREW (5 REQ'D) #10-32x3/8 TORX PHIL. PAN HD. SCREW (2 REQ'D)
<b>ADDITIONAL PARTS LIST</b>		
	AA27-00012-0000	CARD RACK SUPPORT BRKT. ASSY.
	AA27-00007-0000	CARD RACK ASSY. W/BOARDS
	A084-90913-AA27	SOUND I/O P.C. BOARD ASSY.
	A307-00025-0000	SHIELD & BARRIER ASSY.
	0017-00101-0339	#6-32x3/8 PHIL. RND. SCREW (4 REQ'D)
	A084-91442-AA27	C.P.U. MCR-3 P.C. BRD. ASSY.
	A307-00026-0000	SHIELD ASSY. - INNER
	A084-91433-AA27	VIDEO GEN. MCR-3 P.C. BRD. ASSY.
	A307-00027-0000	SHIELD ASSY. - OUTER
	0017-00101-0153	#6-31x1" PHIL. RND. HD. SCREW (8 REQ'D)
	A088-00016-0000	INTERLOCK SWITCH & SPRING BRKT. ASSY.
	0303-00904-0000	INTERLOCK SWITCH COVER
	A945-00038-0000	ON-OFF SWITCH & PLATE ASSY.
	A307-00034-0000	MULTIFUNCTION SWITCH/BRKT. ASSY.
*	A945-00020-0000	POWER CHASSIS ASSY. -125VA., 115V
	A945-00019-0000	LINE CORD ASSY. -115V
	A084-91648-A000	DUAL POWER AMP W/MIXER ASSY.
	A307-00047-0000	ABSOLUTE POSITION BRD. W/SPACER ASSY.
	A307-00048-0000	LAMP DIVER P.C.B. W/ SPACER ASSY.
	A307-00049-0000	CHEAP SQUEAK & SPACER P.C. ASSY.
	A084-90412-D000	POWER SUPPLY -125VA
	0624-00902-0100	P.C. SUPPORT BRKT. - 12" LG. (2 REQ'D)
	0624-00902-0500	P.C. SUPPORT BRKT. - 6-1/2" LG. (2 REQ'D)
	0017-00101-0141	#8x11/16 UNSLOT HEX HD. SCREW (10 REQ'D)
	0017-00104-0037	#8 FLAT WASHER (10 REQ'D)
	0894-00916-0000	PLASTIC PULL & VENT (2 REQ'D)
	0017-00101-0141	#8x11/16 UNSLOT HEX HD. SCREW (8 REQ'D)
	A961-00007-0000	CASTER ASSY.
	0017-00005-0201	BACK DOOR LOCK & KEY
	0017-00009-0490	5-5/8" SQR. VENT GRILLE (4 REQ'D)

\*SEE SIT DOWN CATALOG FOR ILLUSTRATED PARTS BREAK DOWN

NO. 0A27 - SPY HUNTER UPRIGHT - ACCELERATOR PEDAL ASSEMBLY.

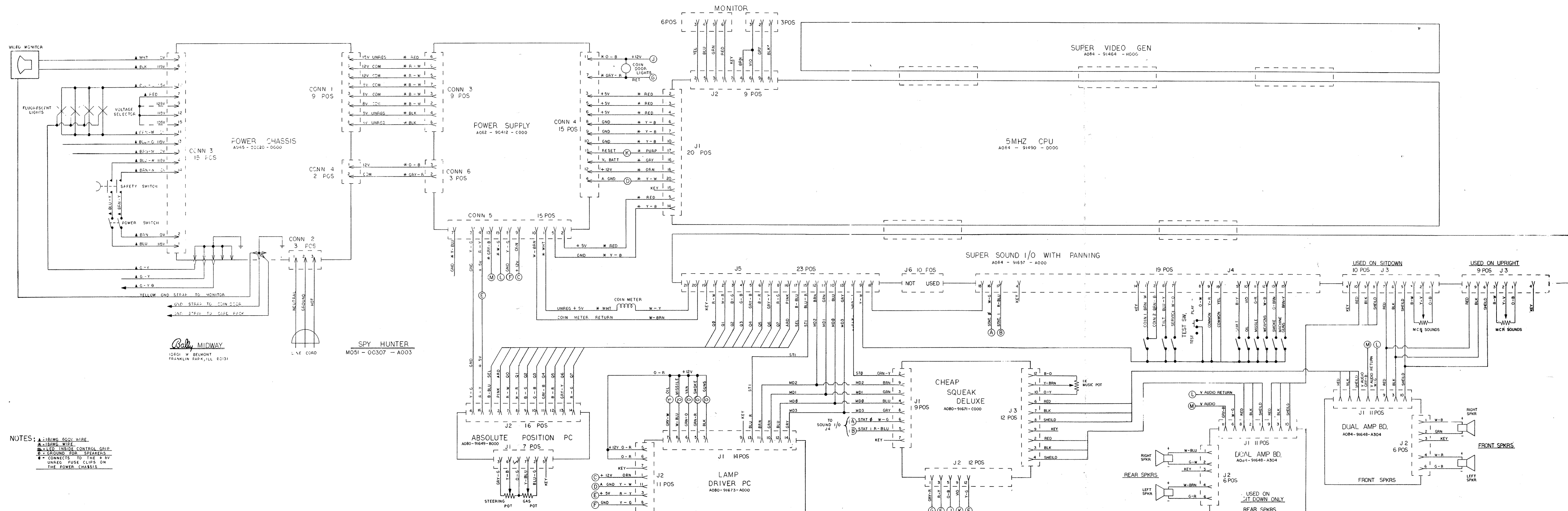


NOTE: DRAWING MAY DIFFER SLIGHTLY FROM ACTUAL ASSEMBLY

**NO. 0A27 - SPY HUNTER UPRIGHT - ACCELERATOR PEDAL ASSY. - PARTS LIST**

ORDER BY PART NUMBER ONLY

ITEM	PART NO.	DESCRIPTION
1	AA27-00019-0000	ACCELERATOR PEDAL & HINGE ASSY.
2	AA27-00015-0000	STUD & ACCEL. STOP BRKT. ASSY.
3	105E-00004-0002	POT
4		NOT USED
5	0A27-00701-00XF	GEAR - 16/32
	AA27-00017-0000	POT & GEAR ASSY. (ITEMS 3 & 5)
6	0017-00100-0031	5/16" E-RING
7		NOT USED
8	0017-00102-0002	1/4-20x1/2 SLT. HEX HD. M.S.
9	0653-00734-0000	STOP - POT LIMIT
10	AA27-00016-0000	ACCELERATOR LEVER & GEAR ASSY.
11	0010-00280-0000	ACCEL. PEDAL SPRING
12	0017-00100-0122	1/4" E-RING
13	0307-00703-00XF	PIVOT POST
14	0017-00103-0081	#10-32 HEX NUT W/SEMS
15 & 16	0017-00101-0598	#8-32x5/16 SLT.HEX HD. M.S. (11 REQ'D)
<b>ADDITIONAL PARTS LIST</b>		
	0A27-00105-00XF	ACCELERATOR BASE (FLOOR PLATE)
	0A27-00104-00XF	ACCELERATOR BOX COVER (WALL PLATE)
	0A27-00107-00XF	ACCELERATOR LEVER STOP PLATE
	0921-00700-0000	PLASTIC ACTUATOR (GEAR & LEVER ASSY. - SHAFT)



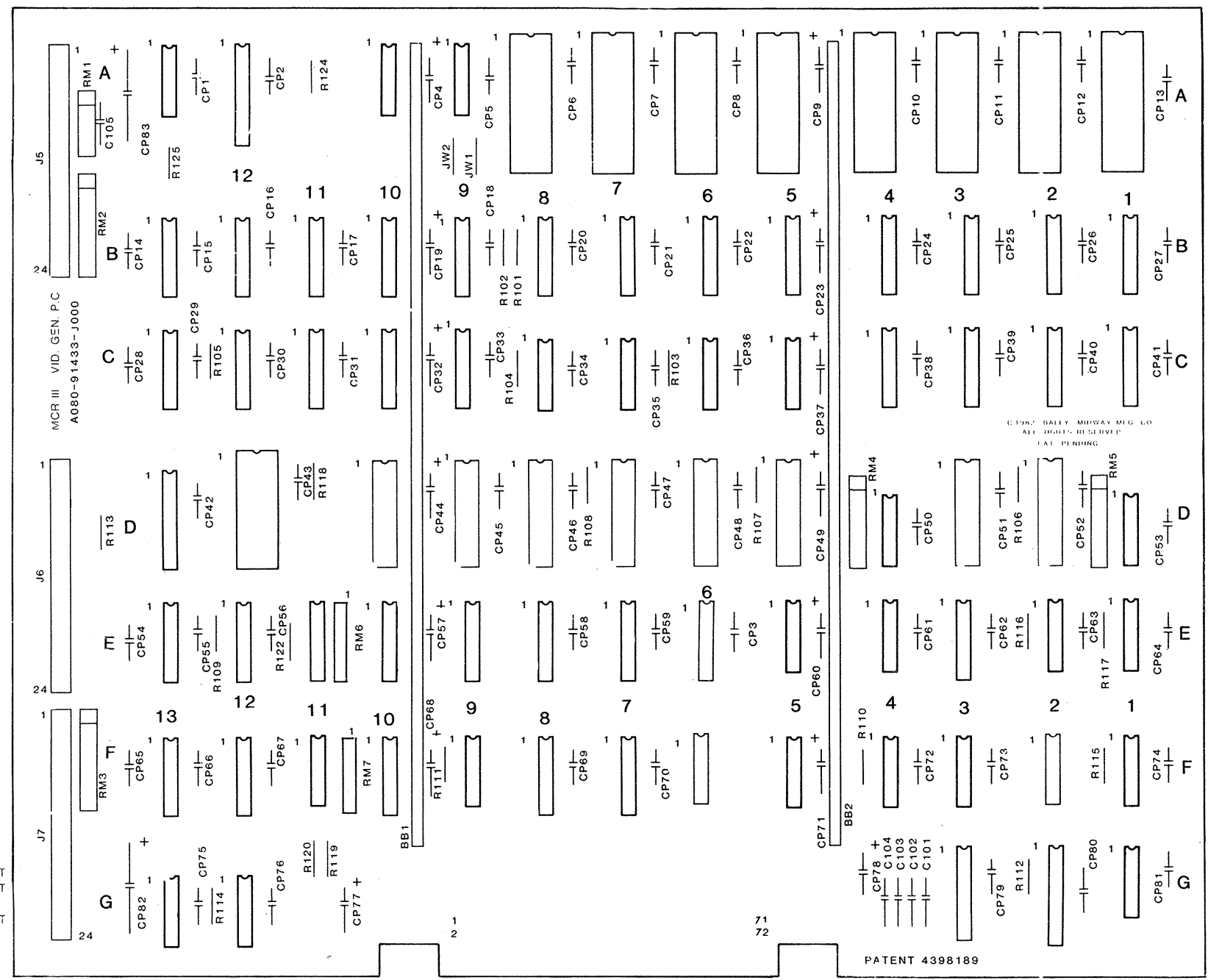
**Bally MIDWAY**  
 10601 W. BELMONT  
 FRANKLIN PARK, ILL. 60131

**NOTES:**

- ▲ SIBING 600V WIRE
- SIBING WIRE
- ALLY INSIDE CONTROL GRIP
- GROUND FOR SPEAKERS
- CONNECTS TO THE 5V UNREG FUSE CLIPS ON THE POWER CHASSIS

**DESIGNATION LIST**

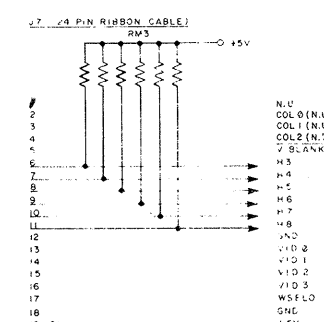
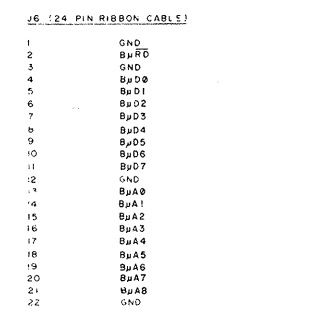
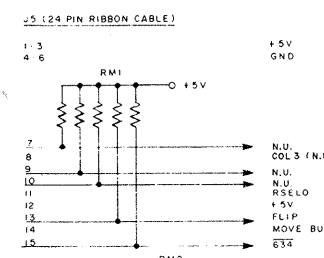
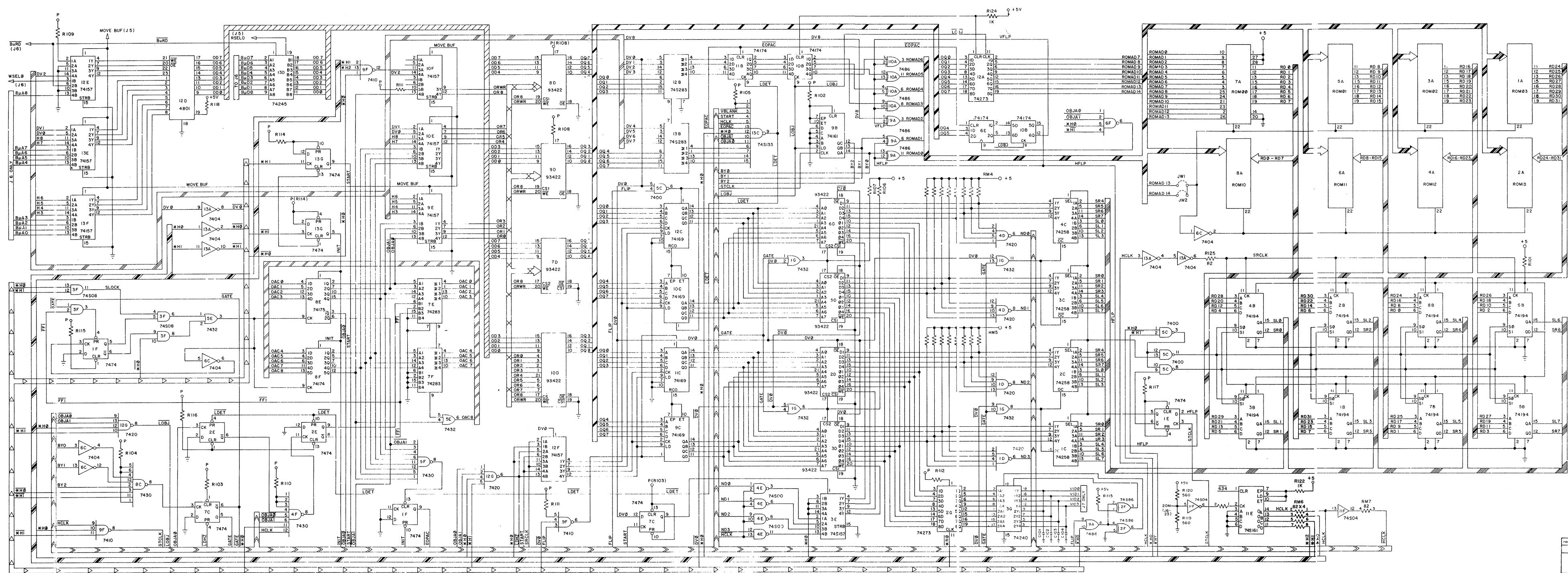
DESIGNATION NO.	DESCRIPTION	DESIGNATION NO.	DESCRIPTION
C101-C104	CAP 100 PF AX CER	4C	74LS258
C105	CAP .01 MF AX CER	5C	74LS00
		6C	74LS04
CP1-CP3	.01 MF AX CER	7C	74LS74
CP4	10 MF 25V AX TANT	8C	74LS30
CP5-CP8	.01 MF AX CER	9C	74LS169
CP9	10 MF 25V AX TANT	10C	74LS169
CP10-CP18	.01 MF AX CER	11C	74LS169
CP19	10 MF 25V AX TANT	12C	74LS169
CP20-CP22	.01 MF AX CER	13C	74S133
CP23	10 MF 25V AX TANT		
CP24-CP31	.01 MF AX CER	1D	7420
CP32	10 MF 25V AX TANT	2D	93422
CP33-CP36	.01 MF AX CER	3D	93422
CP37	10 MF 25V AX TANT	4D	7420
CP38-CP43	.01 MF AX CER	5D	93422
CP44	10 MF 25V AX TANT	6D	93422
CP45-CP48	.01 MF AX CER	7D	93422
CP49	10 MF 25V AX TANT	8D	93422
CP50-CP56	.01 MF AX CER	9D	93422
CP57	10 MF 25V AX TANT	10D	93422
CP58,CP59	.01 MF AX CER	12D	STAT RAM
CP60	10 MF 25V AX TANT	13D	74LS245
CP61-CP67	.01 MF AX CER		
CP68	10 MF 25V AX TANT	1E	74LS74
CP69,CP70	.01 MF AX CER	2E	74LS74
CP71	10 MF 25V AX TANT	3E	74S157
CP72-CP76	.01 MF AX CER	4E	74S00
CP77,CP78	10 MF 25V AX TANT	5E	74LS32
CP79-CP81	.01 MF AX CER	6E	74LS174
CP82,CP83	100 MF AX ELECT	7E	74LS283
		8E	74LS175
		9E	74LS157
R101-R118	1K OHM 1/4W	10E	74LS157
R119,R120	560 OHM 1/4W	11E	74S161
R122,R124	1K OHM 1/4W	12E	74LS157
R125	100 OHM 1/4W	13E	74LS157
RM1	1K 6 PIN SIP	1F	74S74
RM2,RM3	1K 10 PIN SIP	2F	74S86
RM4,RM5	1K 9 PIN SIP	3F	74S08
RM6,RM7	82 OHM 8 PIN SIP	4F	74LS30
1A	EPROM VG-A	5F	74LS30
2A	EPROM VG-B	6F	7420
3A	EPROM VG-C	7F	74LS283
4A	EPROM VG-D	8F	74LS174
5A	EPROM VG-E	9F	74LS10
6A	EPROM VG-F	10F	74LS157
7A	EPROM VG-G	11F	74S04
8A	EPROM VG-H	12F	74LS157
9A	74LS86	13F	74LS157
10A	74LS86		
12A	74LS273	1G	74LS32
13A	74S04	2G	74LS273
		3G	74LS240
1B	74LS194	12G	7420
2B	74LS194	13G	74LS74
3B	74LS194		
4B	74LS194	ICS 1A-8A	28 PIN IC SOCKET
5B	74LS194	ICS 2D,3D,5D-	22 PIN IC SOCKET
6B	74LS194	10D	
7B	74LS194	ICS 12D	24 PIN IC SOCKET
8B	74LS194		
9B	74LS161	J5-J7	KK 100 24 PIN RT ANGLE
10B	74LS174		
11B	74LS174		
12B	74S283	JW1,JW2	JUMPER WIRE
13B	74S283	BB1,BB2	BUSS BAR
1C	74LS258		
2C	74LS258		
3C	74LS258		



**CROSS REFERENCE LIST**

DESCRIPTION	QTY	DESIGNATION NO.	PART NOS.	DESCRIPTION	QTY	DESIGNATION NO.	PART NOS.
.01 MF AX CER	68	CP1-CP3, CP5-CP8, CP10-CP18, CP20-CP22, CP24-CP31, CP33-CP36, CP38-CP43, CP45-CP48, CP50-CP56, CP58, CP59, CP61-CP67, CP69, CP70, CP72-CP76, CP79-CP81, C105	0986-00800-2500	STAT RAM	1	12D	0304-00803-0034
				93422	8	2D, 3D, 5D-10D	0986-00803-1010
				22 PIN IC SOCKET	8	ICS 2D, 3D, 5D-	0986-00804-0700
				24 PIN IC SOCKET	1	10D	0986-00804-1600
				28 PIN IC SOCKET	8	ICS 12D	0986-00804-0300
				ICS 1A-8A			
				KK 100 24 PIN RT ANGLE	3	J5-J7	0986-00804-4700
10 MF 25V AX TANT	14	CP4, CP9, CP19, CP23, CP32, CP37, CP44, CP49, CP57, CP60, CP68, CP71, CP77, CP78	0986-00800-2400	JUMPER WIRE	2	JW1, JW2	0986-00805-0200
				BUSS BAR	2	BB1, BB2	0986-00804-0900
CAP 100 MF	2	CP82, CP83	0986-00800-1800				
CAP 100 PF	4	C101-C104	0986-00800-1000				
100 OHM RES	1	R125	100E-00005-0033				
560 OHM RES	2	R119, R120	100E-00005-0054				
1K OHM RES	20	R101-R118, R122, R124	100E-00005-0061				
82 OHM 8 PIN SIP	2	RM6, RM7	102E-00004-0035				
1K OHM 6 PIN SIP	1	RM1	102E-00004-0009				
1K OHM 9 PIN SIP	2	RM4, RM5	102E-00004-0011				
1K OHM 10 PIN SIP	2	RM2, RM3	102E-00004-0013				
74LS00	1	5C	0304-00803-0009				
74LS00	1	4E	0304-00803-0045				
74LS04	1	6C	0986-00803-1007				
74LS04	2	13A, 11F	0986-00803-3100				
74LS08	1	3F	0304-00803-0037				
74LS10	1	9F	0304-00803-0008				
7420	4	1D, 4D, 6F, 12G	0304-00803-0006				
74LS30	3	8C, 4F, 5F	0304-00803-0016				
74LS32	2	5E, 1G	0986-00803-0600				
74LS74	4	7C, 1E, 2E, 13G	0986-00803-1005				
74S74	1	1F	0986-00803-1500				
74LS86	2	9A, 10A	0986-00803-4200				
74S86	1	2F	0304-00803-0049				
74S133	1	13C	0304-00803-0002				
74LS157	7	9E, 10E, 12E, 13E, 10F, 12F, 13F	0986-00803-2400				
74S157	1	3E	0304-00803-0044				
74LS161	1	9B	0986-00803-1003				
74S161	1	11E	0304-00803-0038				
74LS169	4	9C-12C	0304-00803-0001				
74LS174	4	10B, 11B, 6E, 8F	0986-00803-9800				
74LS175	1	8E	0304-00803-0007				
74LS194	8	1B-8B	0986-00803-2900				
74LS240	1	3G	0304-00803-0050				
74LS245	1	13D	0986-00803-3000				
74LS258	4	1C-4C	0304-00803-0004				
74LS273	2	12A, 2G	0986-00803-3800				
74LS283	2	7E, 7F	0986-00803-3900				
74S283	2	12B, 13B	0304-00803-0039				
EPROM VG-A	1	8A	0A27-00803-0016				
EPROM VG-B	1	7A	0A27-00803-0017				
EPROM VG-C	1	6A	0A27-00803-0018				
EPROM VG-D	1	5A	0A27-00803-0019				
EPROM VG-E	1	4A	0A27-00803-0020				
EPROM VG-F	1	3A	0A27-00803-0021				
EPROM VG-G	1	2A	0A27-00803-0022				
EPROM VG-H	1	1A	0A27-00803-0023				

PROJECT ENG: R. A. PLOUSSARD		USED ON SPY HUNTER		REVISIONS	
DO NOT SCALE DWG.	HEAT TREAT	SCALE FULL	NO. REQ'D 1 PER	Bally / MIDWAY MFG. CO. FRANKLIN PK. ILL.	
DIM. TOLERANCES UNLESS SPECIFIED	DRN. RLW	MCR III VIDEO GEN. P.C. ASSEMBLY DWG. A080-91433-J000		PART NO. M051-00304-J001	
DATE 10/31/83	FINISH				

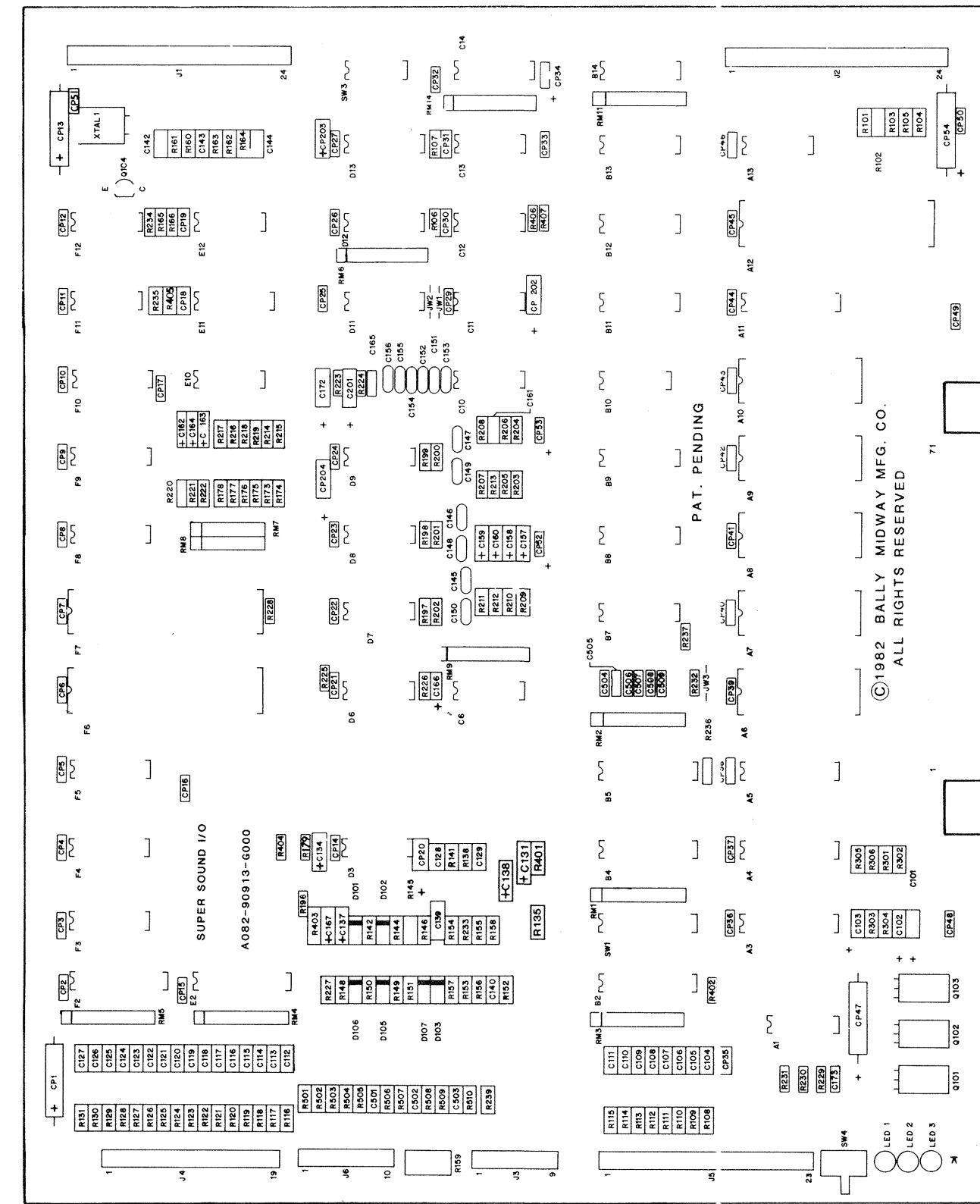


72 PIN TEST CONN (EDD) 1	72 PIN TEST CONN (EDD) 2
1 GND	1 GND
2 +5V	2 +5V
3 GND	3 GND
4 +5V	4 +5V
5 GND	5 GND
6 +5V	6 +5V
7 GND	7 GND
8 +5V	8 +5V
9 GND	9 GND
10 +5V	10 +5V
11 GND	11 GND
12 +5V	12 +5V
13 GND	13 GND
14 +5V	14 +5V
15 GND	15 GND
16 +5V	16 +5V
17 GND	17 GND
18 +5V	18 +5V
19 GND	19 GND
20 +5V	20 +5V
21 GND	21 GND
22 +5V	22 +5V
23 GND	23 GND
24 +5V	24 +5V
25 GND	25 GND
26 +5V	26 +5V
27 GND	27 GND
28 +5V	28 +5V
29 GND	29 GND
30 +5V	30 +5V
31 GND	31 GND
32 +5V	32 +5V
33 GND	33 GND
34 +5V	34 +5V
35 GND	35 GND
36 +5V	36 +5V
37 GND	37 GND
38 +5V	38 +5V
39 GND	39 GND
40 +5V	40 +5V
41 GND	41 GND
42 +5V	42 +5V
43 GND	43 GND
44 +5V	44 +5V
45 GND	45 GND
46 +5V	46 +5V
47 GND	47 GND
48 +5V	48 +5V
49 GND	49 GND
50 +5V	50 +5V
51 GND	51 GND
52 +5V	52 +5V
53 GND	53 GND
54 +5V	54 +5V
55 GND	55 GND
56 +5V	56 +5V
57 GND	57 GND
58 +5V	58 +5V
59 GND	59 GND
60 +5V	60 +5V
61 GND	61 GND
62 +5V	62 +5V
63 GND	63 GND
64 +5V	64 +5V
65 GND	65 GND
66 +5V	66 +5V
67 GND	67 GND
68 +5V	68 +5V
69 GND	69 GND
70 +5V	70 +5V
71 GND	71 GND
72 +5V	72 +5V

PROJECT ENG. R.A. PLOUSSARD	DESIGN BY SPY HUNTER	REVISED BY
DATE 11/01/83	SCHEMATIC DWG	NO. 00504 - J002
	VIDEO GEN. III	
	AD2-91433-J000	

DESIGNATION LIST

Table with columns: DESIGNATION NO., DESCRIPTION, DESIGNATION NO., DESCRIPTION, DESIGNATION NO., DESCRIPTION. Lists various electronic components like resistors, capacitors, and integrated circuits.

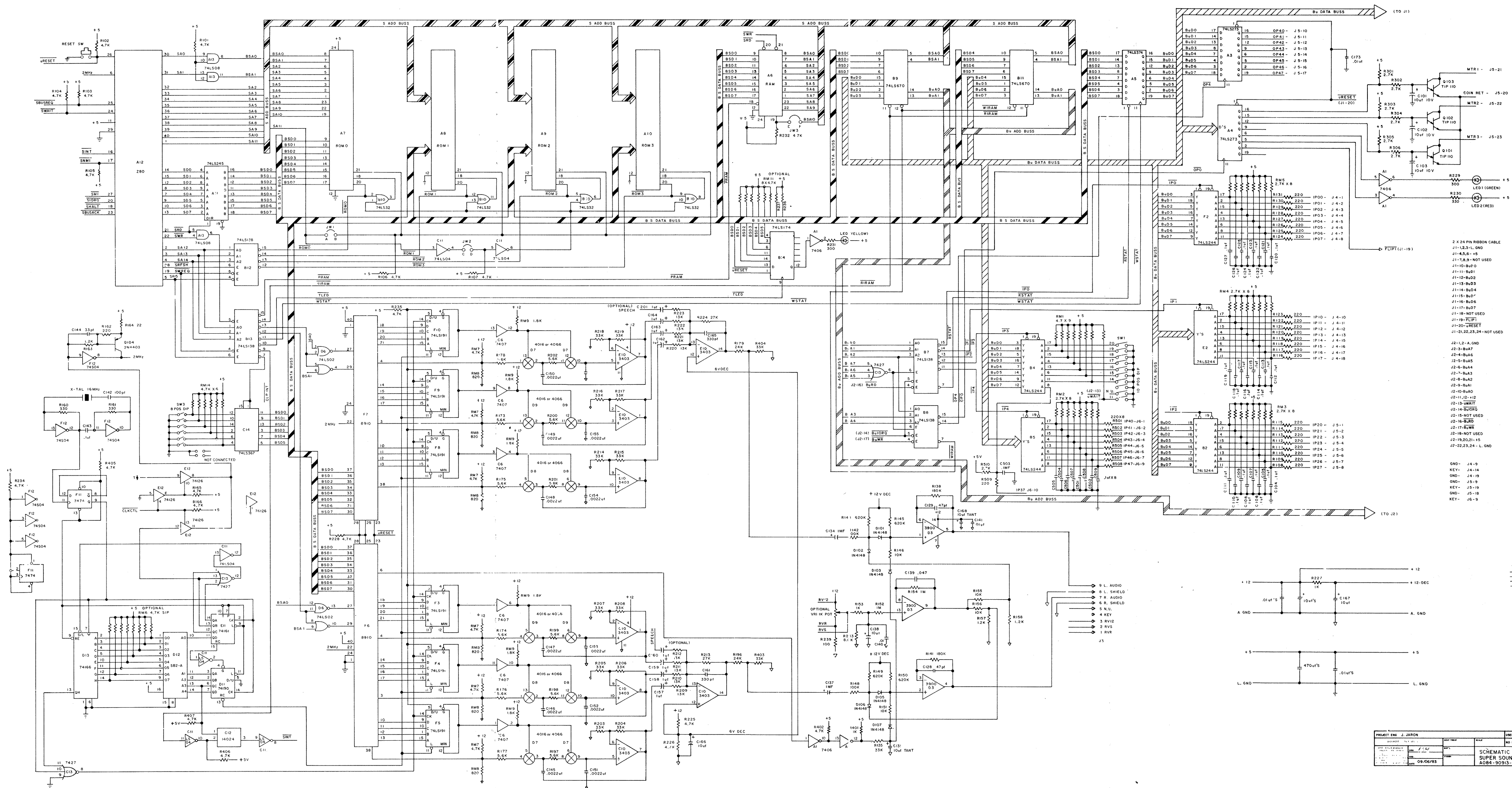


CROSS REFERENCE LIST

Table with columns: DESCRIPTION, QTY, DESIGNATION NO., PART NOS., DESCRIPTION, QTY, DESIGNATION NO., PART NOS. Lists alternative part numbers and quantities for various components.

Project information form including: PROJECT ENG: C. MEDNICK, USED ON SPY HUNTER UR, BALLY MIDWAY MFG. CO., PART NO: MOS1-00A27 - A011, DATE: 11 01/83.





72 PIN TEST CONN

1 - L GND	37 - SA4
2 - +5	38 - SA5
3 - L GND	39 - SA6
4 - +5	40 - SA7
5 - +12	41 - SA8
6 - A GND	42 - SA9
7 - +12	43 - SA10
8 - NCT USED	44 - SA11
9 - BUD0	45 - SA12
10 - BUD1	46 - SA13
11 - BUD2	47 - SA14
12 - BUD3	48 - SA15
13 - BUD4	49 - SW1
14 - BUD5	50 - SW2
15 - BUD6	51 - SW3
16 - BUD7	52 - SWBACK
17 - BUD8	53 - SWC
18 - SW1	54 - SWRE
19 - SW2	55 - SWREF
20 - SW3	56 - SW
21 - SW4	57 - SWCLK
22 - SW5	58 - SWD
23 - SW6	59 - SWR
24 - SW7	60 - SWRE
25 - SW8	61 - SWREG
26 - SW1	62 - SWREQ
27 - SW2	63 - SWREQ
28 - SW3	64 - SWCT
29 - SW4	65 - L GND
30 - SW5	66 - SWAT
31 - SW6	67 - L GND
32 - SW7	68 - SWALT
33 - SW8	69 - NOT USED
34 - SA1	70 - +5
35 - SA2	71 - L GND
36 - SA3	72 - +5

\* USED ON VERSION W/PANNING  
 NOT USED ON VERSION W/PANNING

\*\* NOT USED ON VERSION W/PANNING  
 USED ON VERSION W/PANNING

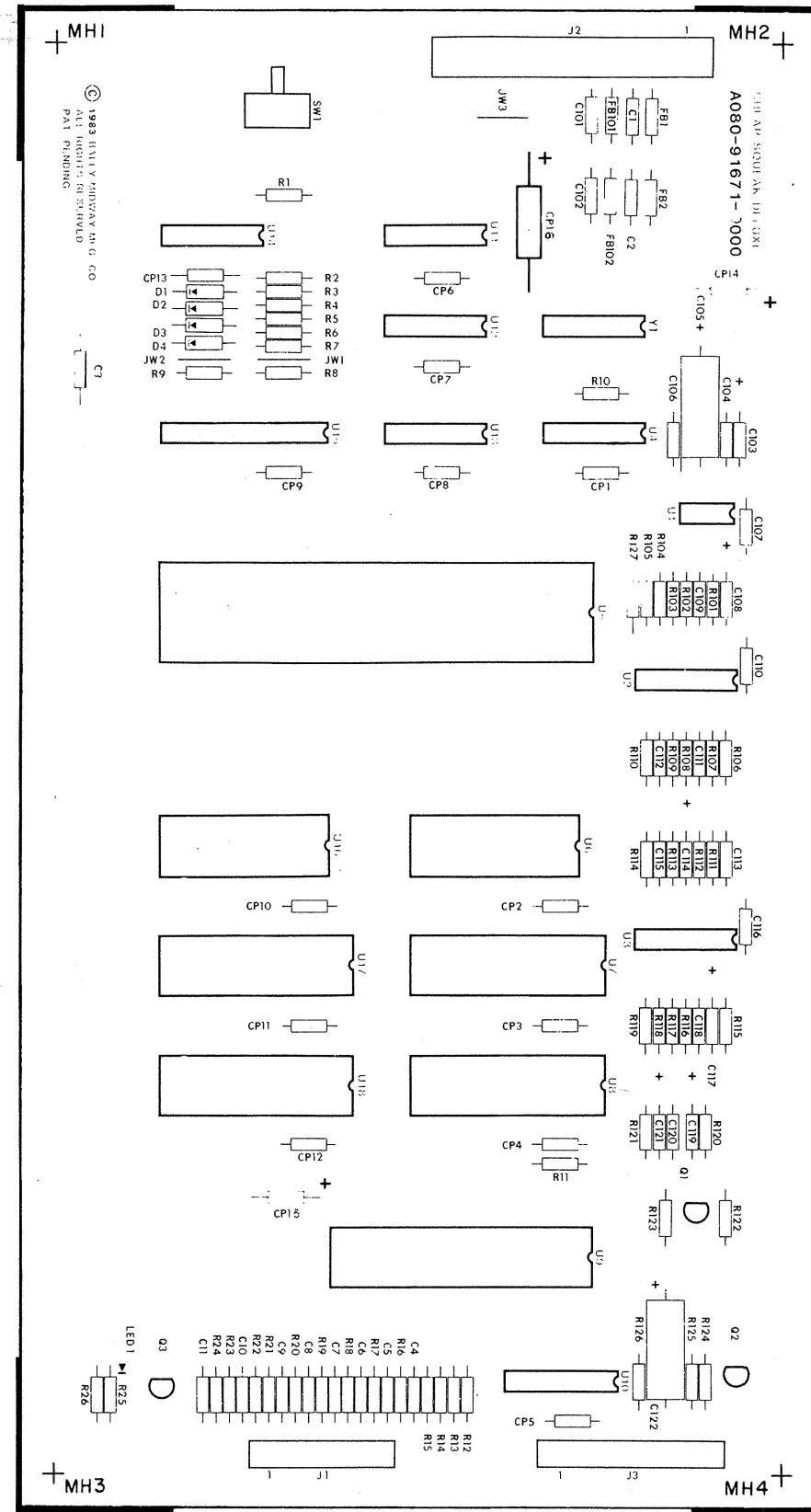
NOTE

FORM NUMBER OPTIONS	JW1	JW2
EPROM/ROM		
2532 COMPATIBILITY		X
2332 COMPATIBILITY		X

DESIGNED BY	J. JARON	DESIGNED BY	HUNTER
DATE	1/80	DATE	1/80
REVISED BY		REVISED BY	
DATE		DATE	
APPROVED BY		APPROVED BY	
DATE		DATE	
PROJECT NO.	09-00983	SCHEMATIC	SCHEMATIC DRAWING
			SUPER SOUND I/O
			A084-90913-000
			MOSI-00986-0016

DESIGNATION LIST

DESIGNATION NO.	DESCRIPTION	DESIGNATION NO.	DESCRIPTION
C1,C2	390 PF AX CER	R122	2.7K OHM 1/4W CRBN
C3-C5	100 PF AX CER	R123,R124	360 OHM 1/4W CRBN
C6,C7	820 PF AX CER	R125	180 OHM 1/4W CRBN
C8-C11	100 PF AX CER	R126	2.7K OHM 1/4W CRBN
C101,C102	390 PF AX CER	R127	560K OHM 1/4W CRBN
C103	1 MF RD TANT		
C104	.01 MF AX CER	D1-D4	1N5817
C105	47 MF AX ELECT		
C106	680 PF AX CER	Q1-Q3	2N5305
C107	.01 MF AX CER		
C108	1 MF RD TANT	U1	MC3340
C109	68 PF AX CER 10%	U2,U3	LM359
C110	.01 MF AX CER	U4	74S74
C111	150 PF AX CER 10%	U5	68000-8 CPU
C112	470 PF AX CER 10%	U6	2KX8 RAM
C113	270 PF AX CER 10%	U7	EPR0M
C114	1 MF RD TANT	U8	EPR0M
C115	5600 PF AX CER 10%	U9	6821 PIA
C116	.01 MF AX CER	U10	AD7533JN DAC
C117	1 MF RD TANT	U11	MC14584/40106
C118	270 PF AX CER	U12	74LS74
C119	10 MF RD TANT	U13	74LS04
C120	.01 MF AX CER	U14	74F32/74S32
C121	10 MF RD TANT	U15	CS0002RO PAL
C122	47 MF AX ELECT	U16	2KX8 RAM 250NS
		U17	EPR0M
		U18	EPR0M
CP1-CP13	.01MF AX CER		
CP14,CP15	10 MF AX TANT	FB1,FB2	FERRITE BEAD
CP16	100 MF AX ELECT	FB101,FB102	FERRITE BEAD
R1-R3	4.7K OHM 1/4W CRBN	ICS U5	64 PIN IC SOCKET
R4	10K OHM 1/4W CRBN	ICS U6	24 PIN IC SOCKET
R5	100K OHM 1/4W CRBN	ICS U7,U8	28 PIN IC SOCKET
R6-R9	4.7K OHM 1/4W CRBN	ICS U9	40 PIN IC SOCKET
R10	1K OHM 1/4W CRBN	ICS U10	16 PIN IC SOCKET
R11-R14	4.7K OHM 1/4W CRBN	ICS U15	8 PIN IC SOCKET
R15,R16	10K OHM 1/4W CRBN	ICS U15A	16 PIN IC SOCKET
R17,R18	100 OHM 1/4W CRBN	ICS U16	24 PIN IC SOCKET
R19-R21	10K OHM 1/4W CRBN	ICS U17,U18	28 PIN IC SOCKET
R22	100K OHM 1/4W CRBN		
R23	10K OHM 1/4W CRBN	J1	AUTO INSERT PINS TIN
R24	100K OHM 1/4W CRBN		
R25	100 OHM 1/4W CRBN	J2	AUTO INSERT PINS TIN
R26	47K OHM 1/4W CRBN		
R101	24K OHM 1/4W CRBN	J3	AUTO INSERT PINS TIN
R102	160K OHM 1/4W CRBN		
R103	100 OHM 1/4W CRBN		
R104	330K OHM 1/4W CRBN	JW1-JW3	ZERO OHM RESISTOR
R105	24K OHM 1/4W CRBN		
R106	3.3K OHM 1/4W CRBN	LED 1	GREEN LED
R107	24K OHM 1/4W CRBN		
R108	150K OHM 1/4W CRBN	SW1	SWITCH PC MOUNT
R109	82K OHM 1/4W CRBN		
R110	510K OHM 1/4W CRBN	Y1	16 MHZ XSTAC OSC
R111,R112	120K OHM 1/4W CRBN		
R113	33K OHM 1/4W CRBN	MH1-MH4	1/4" SPACER FOR
R114	330K OHM 1/4W CRBN		
R115	150K OHM 1/4W CRBN		
R116	33K OHM 1/4W CRBN		
R117	18K OHM 1/4W CRBN	PC BOARD	A080-91671-D000
R118	100K OHM 1/4W CRBN		
R119	510K OHM 1/4W CRBN		
R120	47K OHM 1/4W CRBN		
R121	1K OHM 1/4W CRBN		



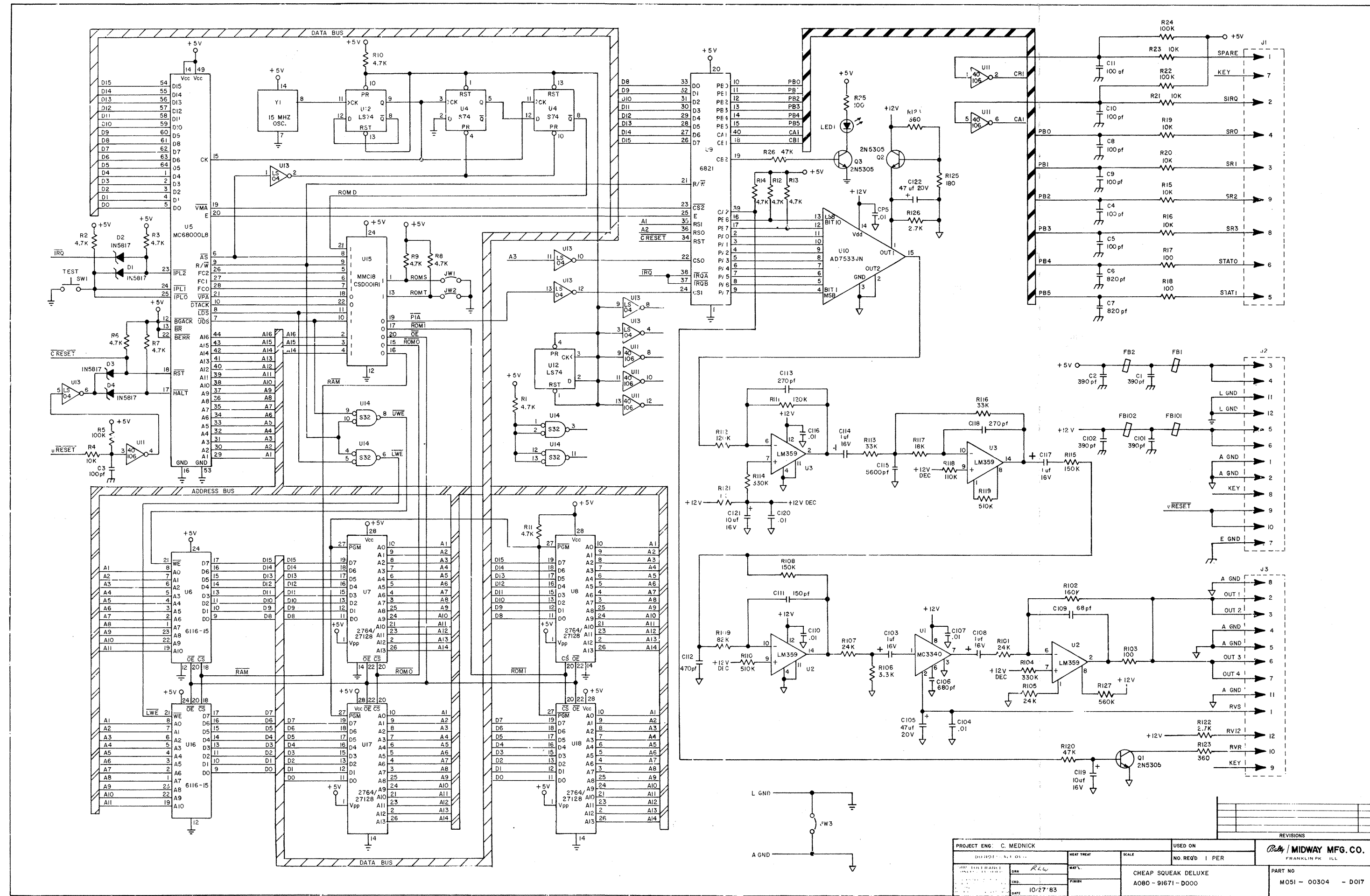
DESCRIPTION	QTY	DESIGNATION NO.
68 PF AX CER 10%	1	C109
100 PF AX CER	7	C3-C5,C8-C11
150 PF AX CER 10%	1	C111
270 PF AX CER 10%	2	C113,C118
390 PF AX CER	4	C1,C2,C101,C102
470 PF AX CER 10%	1	C112
680 PF AX CER	1	C106
820 PF AX CER	2	C6,C7
5600 PF AX CER 10%	1	C115
.01 MF AX CER	18	C104,C107,C110,C116,C120,CP1-CP13
1 MF RD TANT	4	C103,C108,C114
10 MF AX TANT	2	C117
10 MF RD TANT	2	CP14,CP15
.47 MF AX ELECT	2	C119,C121
100 MF AX ELECT	1	C105,C122
100 OHM 1/4W CRBN	4	R17,R18,R25,R105
180 OHM 1/4W CRBN	1	R125
360 OHM 1/4W CRBN	2	R123,R124
1K OHM 1/4W CRBN	2	R10,R121
2.7K OHM 1/4W CRBN	2	R122,R126
3.3K OHM 1/4W CRBN	1	R106
4.7K OHM 1/4W CRBN	11	R1-R3,R6-R9,R11-R14
10K OHM 1/4W CRBN	7	R4,R15,R16,R19-R21,R23
18K OHM 1/4W CRBN	1	R117
24K OHM 1/4W CRBN	3	R101,R105,R107
53K OHM 1/4W CRBN	2	R113,R116
47K OHM 1/4W CRBN	2	R26,R120
82K OHM 1/4W CRBN	1	R109
100K OHM 1/4W CRBN	4	R5,R22,R24,R118
120K OHM 1/4W CRBN	2	R111,R112
150K OHM 1/4W CRBN	2	R108,R115
160K OHM 1/4W CRBN	1	R102
330K OHM 1/4W CRBN	2	R104,R114
510K OHM 1/4W CRBN	2	R110,R119
560K OHM 1/4W CRBN	1	R127
1N5817	4	D1-D4
2N5305	3	Q1-Q3
74LS04	1	U13
74F32/74S32	1	U14
74LS74	1	U12
74S74	1	U4
14584/40106	1	U11
6821 PIA	1	U9
68000-8 CPU	1	U5
AD7533JN	1	U10

CROSS REFERENCE LIST

PART NOS.	DESCRIPTION	QTY	DESIGNATION NO.	PART NOS.
0307-00800-0011	CS0002RO PAL	1	U15	0304-00803-0052
U304-00800-0001	LM359	2	U2,U3	0304-00803-0053
0307-00800-0010	MC3340	1	U1	0304-00803-0002
0307-00800-0009	RAM 2KX8	2	U6,U16	0304-00803-0057
0986-00800-3000	ROM/EPR0M	1	U7	0A27-00803-0012
0307-00800-0008	ROM/EPR0M	1	U8	0A27-00803-0014
0358-00800-0002	ROM/EPR0M	1	U17	0A27-00803-0013
0304-00800-0002	ROM/EPR0M	1	U18	0A27-00803-0015
0307-00800-0007				
0986-00800-2200	FERRITE BEAD	4	FB1,FB2,FB101,FB102	0316-00804-0002
0307-00800-0004	8 PIN IC SOCKET	1	ICS U15	0986-00804-3600
	16 PIN IC SOCKET	2	ICS U10,U15A	0986-00804-1400
0986-00800-0700	24 PIN IC SOCKET	2	ICS U6,U16	0986-00804-1600
0307-00800-0005	28 PIN IC SOCKET	4	ICS U7,U8,U17,U18	0986-00804-3900
0307-00800-0003				
0307-00800-0006	40 PIN IC SOCKET	1	ICS U9	0986-00804-1500
	64 PIN IC SOCKET	1	ICS U5	0307-00804-0001
100E-00005-0053				
100E-00005-0059	AUTO INSERT PIN	8	J1	0304-00804-0009
100E-00005-0048	TIN .025 SQ			
100E-00005-0061	AUTO INSERT PIN	11	J3	0304-00804-0009
100E-00005-0071	TIN .025 SQ			
100E-00005-0074	AUTO INSERT PIN	11	J2	0304-00804-0010
100L-00005-0079	TIN .045 SQ			
100E-00005-0088	ZERO OHM RES	3	JW1-JW3	0986-00804-4000
100E-00005-0093	GREEN LED	1	LED 1	0360-00804-0015
100E-00005-0097				
100E-00005-0100	SWITCH PC MTG	1	SW1	0986-00804-3100
100E-00005-0104				
100E-00005-0112	16 MHZ XSTAL OSC	1	Y1	0304-00804-0008
100E-00005-0115				
100E-00005-0118	1/4" SPACER FOR	4	MH1-MH4	0017-00042-0320
100E-00005-0120	#8 SCREW			
100E-00005-0121				
100E-00005-0128	PC BOARD	1		A080-91671-D000
100E-00005-0133				
100E-00005-0134				
103E-00003-0009				
104E-00007-0003				
0304-00803-0060				
0304-00803-0059				
0304-00803-0058				
0304-00803-0061				
0304-00803-0056				
0304-00803-0054				
0304-00803-0051				
0304-00803-0055				

REVISIONS	

PROJECT ENG: C. MEDNICK	USED ON	Bally / MIDWAY MFG. CO. FRANKLIN PK. ILL.	
DO NOT SCALE BY...	HEAT TREAT	SCALE FULL	NO. REQ'D 1 PER
DIM. TOLERANCES UNLESS OTHERWISE SPECIFIED	DRG. RLL	CHEAP SQUEAK DELUXE ASSEMBLY DWG. A080-91671-D000	
DATE 11/09/83	FINISH	PART NO. M051 - 00304 - D016	



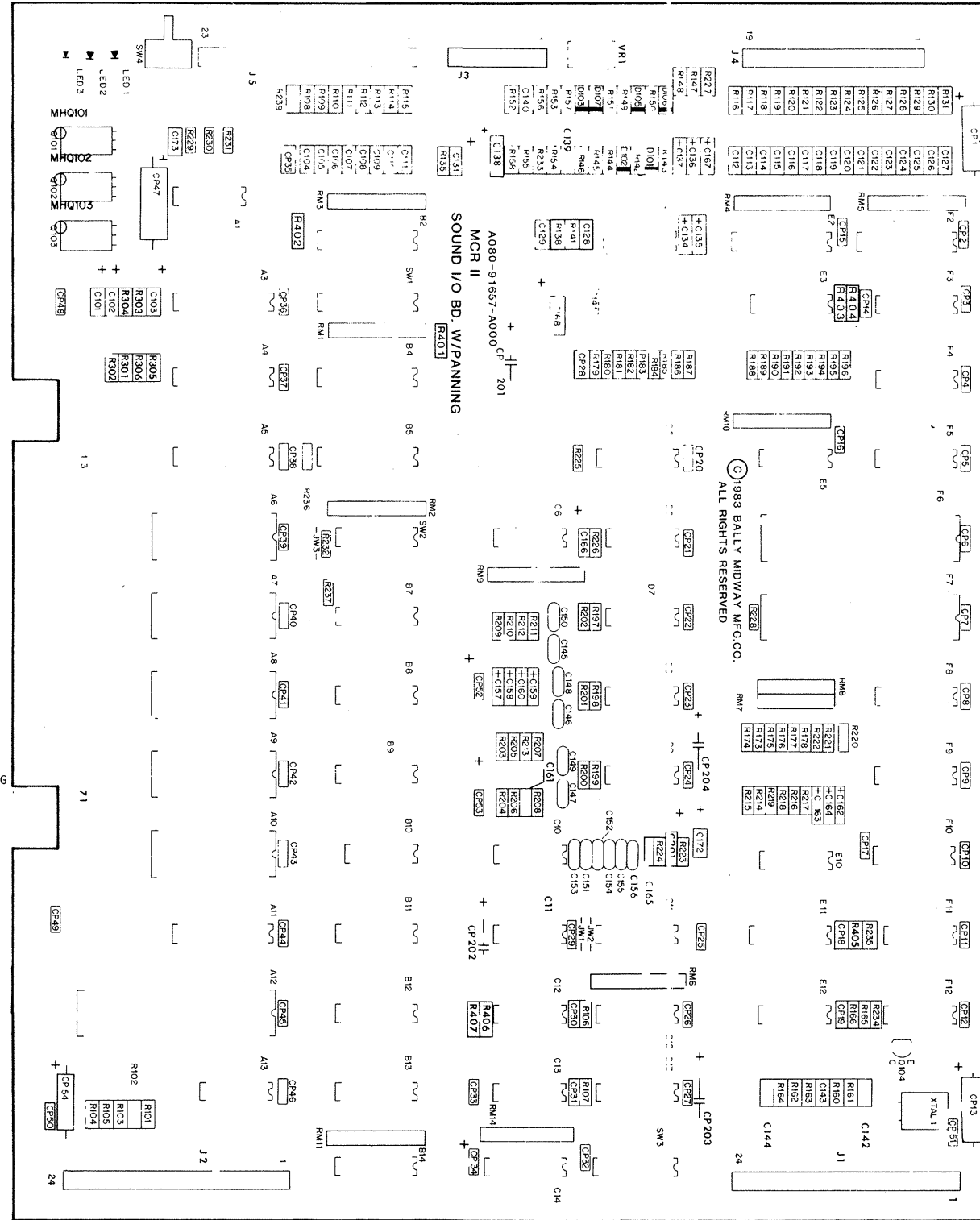
PROJECT ENG. C. MEDNICK		SCALE		USED ON		REVISIONS	
NO.	DATE	BY	REASON	NO.	DATE	BY	REASON
1	10/27/83	CM		1			

FRANKLIN PA. U.S.A.	CHEAP SQUEAK DELUXE	PART NO.
A080-91671-0000		MOSI-00304 - 0017

DESIGNATION LIST

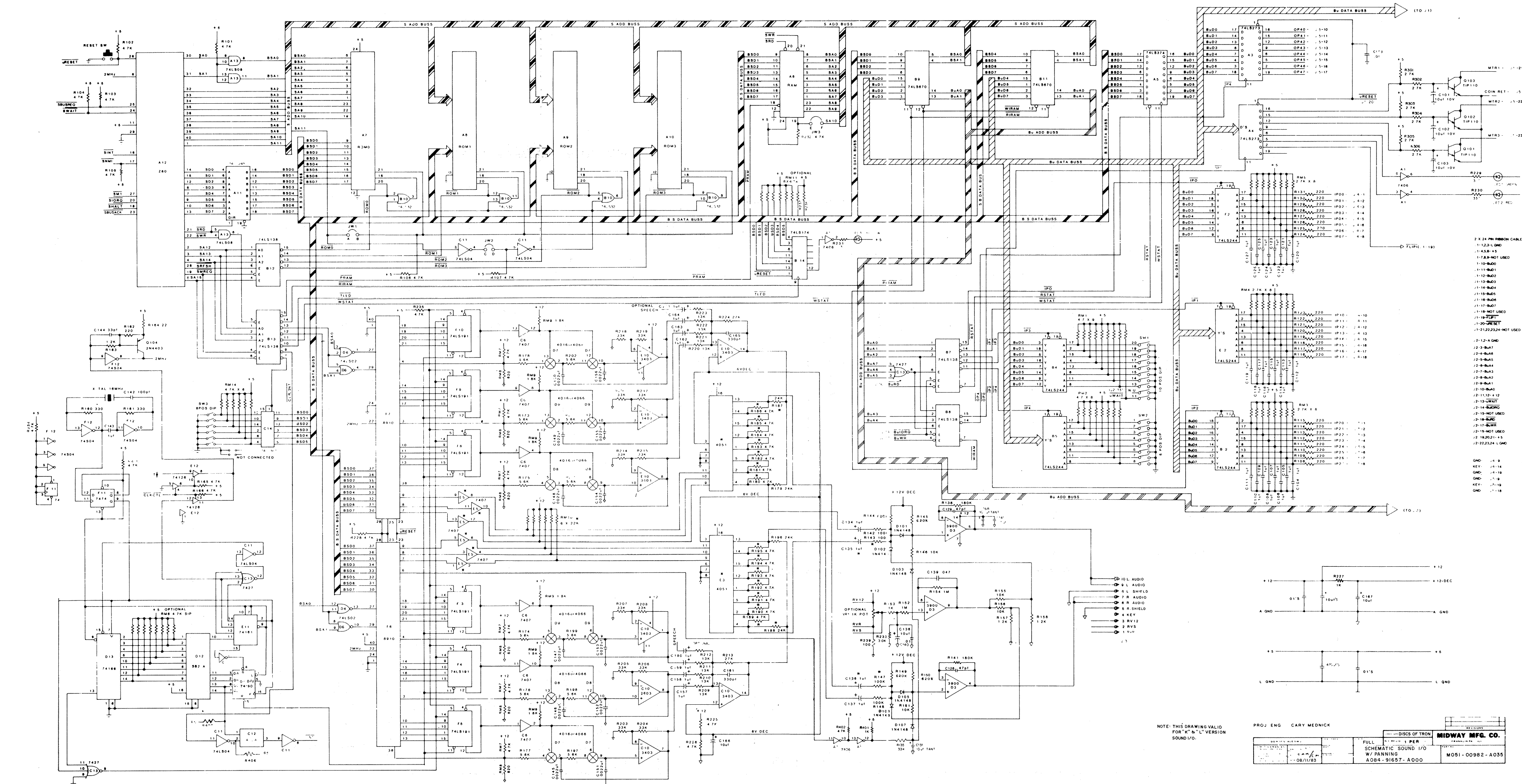
Table with 4 columns: DESIGNATION NO., DESCRIPTION, DESIGNATION NO., DESCRIPTION. Lists various electronic components like resistors, capacitors, integrated circuits, and connectors.



Project information table including: PROJECT ENG: C. MEDNICK, USED ON: SPY HUNTER SD, MIDWAY MFG. CO., DATE: 11/08/83, and assembly details like ASSEMBLY DWG. and PART NO. M051-00307-A008.

CROSS REFERENCE LIST

Table with 6 columns: DESCRIPTION, QTY, DESIGNATION NO., PART NOS., DESCRIPTION, QTY. Provides cross-referencing between different part numbers and descriptions for the components.



NOTE: THIS DRAWING VALID FOR "K" & "L" VERSION SOUND I/O.

PROJ ENG CARY MEDNICK

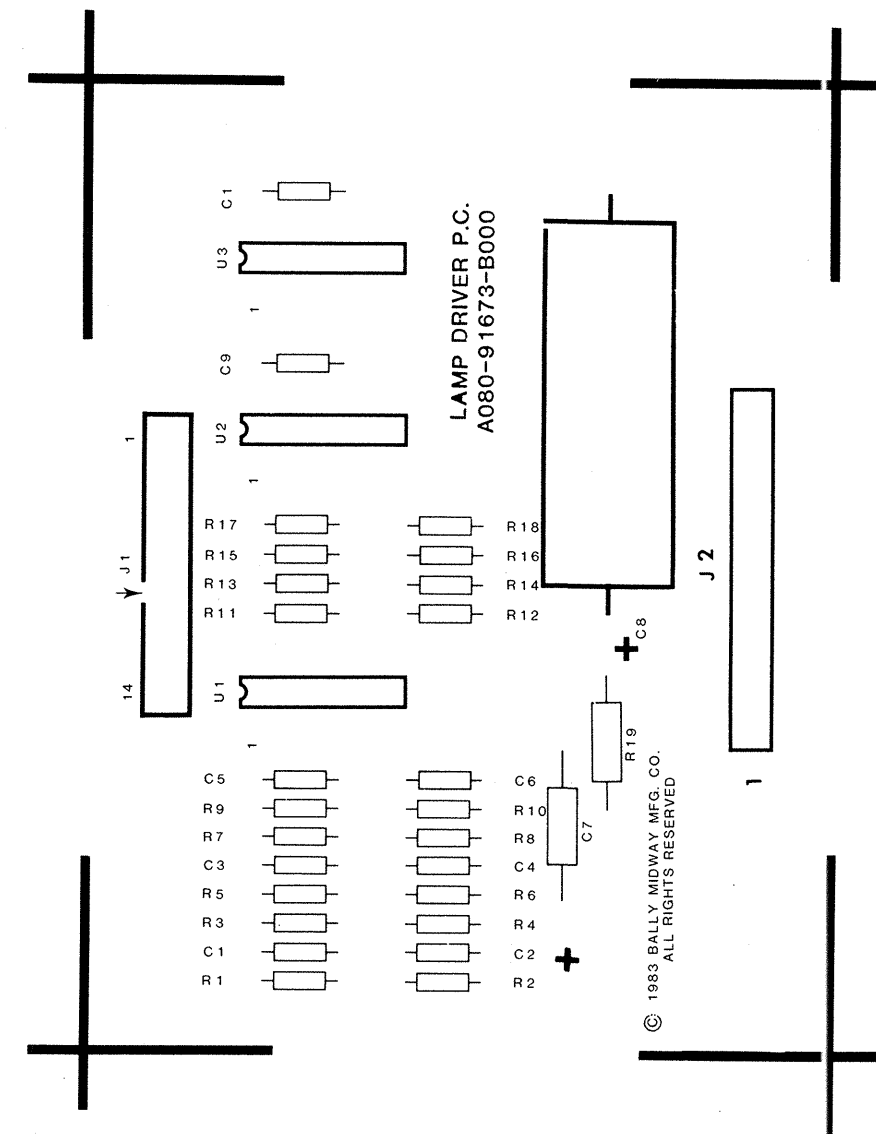
DISCS OF TRON	FULL SCHEMATIC PER W/PANNING	MIDWAY MFG. CO.
08/11/83	A084-91657-A000	M051-00982-A035

- 72 PIN TEST COMB
- 1-12: 5V
  - 13-14: 5V
  - 15-16: 5V
  - 17-18: 5V
  - 19-20: 5V
  - 21-22: 5V
  - 23-24: 5V
  - 25-26: 5V
  - 27-28: 5V
  - 29-30: 5V
  - 31-32: 5V
  - 33-34: 5V
  - 35-36: 5V
  - 37-38: 5V
  - 39-40: 5V
  - 41-42: 5V
  - 43-44: 5V
  - 45-46: 5V
  - 47-48: 5V
  - 49-50: 5V
  - 51-52: 5V
  - 53-54: 5V
  - 55-56: 5V
  - 57-58: 5V
  - 59-60: 5V
  - 61-62: 5V
  - 63-64: 5V
  - 65-66: 5V
  - 67-68: 5V
  - 69-70: 5V
  - 71-72: 5V

4.7K  
10K  
100K  
1M  
10M

DESIGNATION LIST

DESIGNATION NO.	DESCRIPTION
C1-C4	100 PF 50V AX CER
C5	.01 UF 50V AX CER
C6	100 PF 50V AX CER
C7	10 UF 16V AX ELECT
C8	4700 UF 25V AX ELECT
C9,C10	.01 UF 50V AX CER
R1	10K OHM 1/4W 5%
R2	100K OHM 1/4W 5%
R3	10K OHM 1/4W 5%
R4	100K OHM 1/4W 5%
R5	10K OHM 1/4W 5%
R6	100K OHM 1/4W 5%
R7	10K OHM 1/4W 5%
R8	100K OHM 1/4W 5%
R9	10K OHM 1/4W 5%
R10	100K OHM 1/4W 5%
R11-R18	100K OHM 1/4W 5%
R19	2.2 OHM 1W 5%
U1	4099
U2,U3	2068B
J1	.025 SQ PIN
J2	.045 SQ PIN
PCMH1-PCMH4	SPACER #8
P.C. BOARD	A080-91673-A000

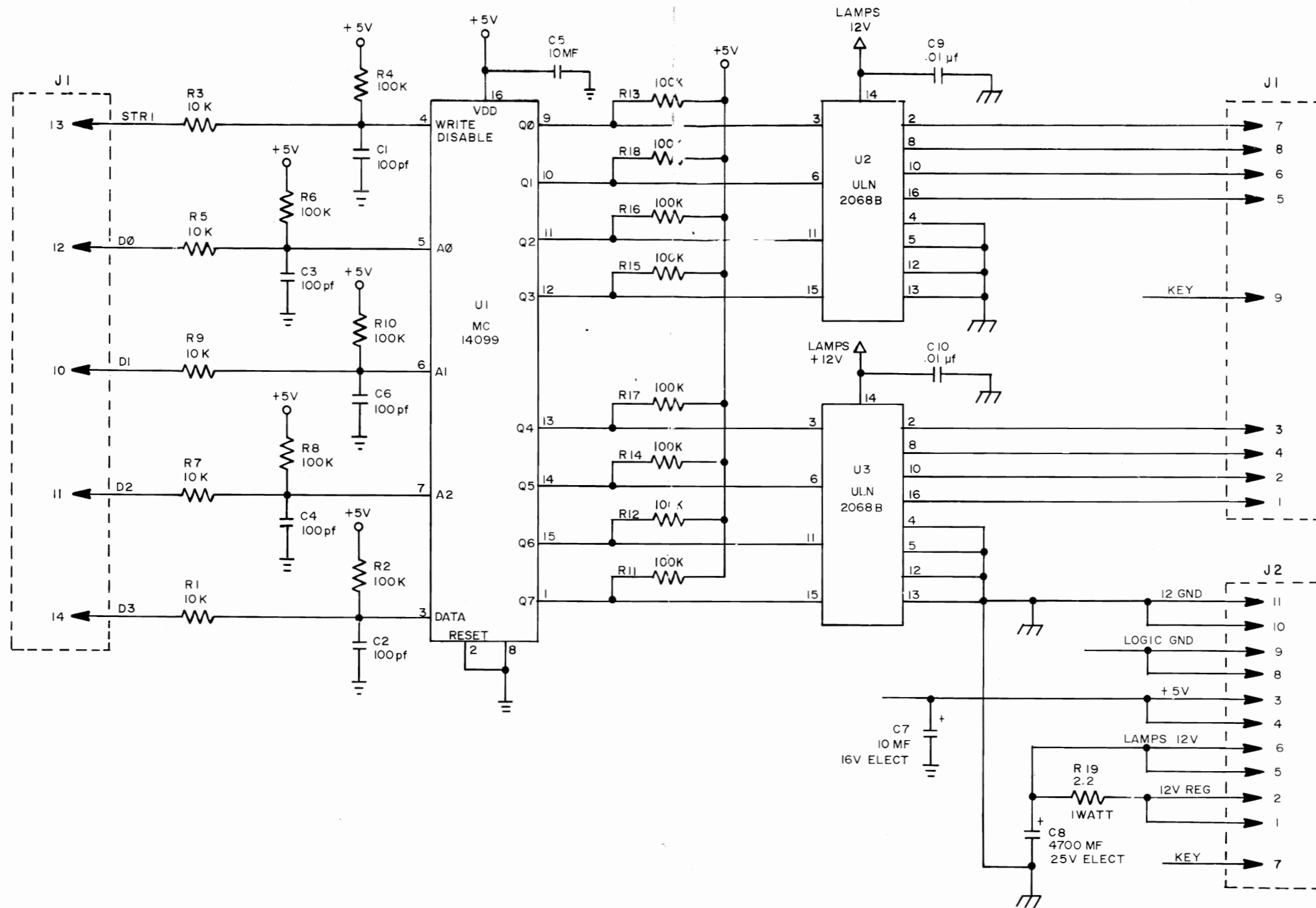


CROSS REFERENCE LIST

DESCRIPTION	QTY	DESIGNATION NO.	PART NOS.
100 PF 50V AX CER	5	C1-C4, C6	0639-00800-0003
.01 UF 50V AX CER	3	C5, C9, C10	0628-00800-0100
10 MF 16V AX ELECT	1	C7	0628-00800-0300
4700 UF 25V AX ELECT	1	C8	0383-00800-0006
2.2 OHM 1W 5%	1	R19	100E-00007-0003
10K OHM 1/4W 5%	5	R1, R3, R5, R7, R9	100E-00005-0088
100K OHM 1/4W 5%	13	R2, R4, R6, R8, R10, R11-R18	100E-00005-0115
2068B	2	U2, U3	0307-00803-0003
4099	1	U1	0307-00803-0004
.025 SQ PIN	13	J1	0017-00033-0479
.045 SQ PIN	10	J2	0017-00033-0480
SPACER #8	4	PCMH1-PCMH4	0017-00042-0320
P.C. BOARD	1		A080-91673-A000

REVISIONS	

PROJECT ENG: J. BOYDSTON		USED ON		Bally / MIDWAY MFG. CO. FRANKLIN PK. ILL.	
CO. HOT CHART DWS		HEAT TREAT	SCALE FULL	NO. REQ'D 1 PER	
DESIGNER	CHKD. ted	MAT'L	ASSEMBLY DWG		PART NO.
DATE 10/28/33	FINISH	LAMP DRIVER P.C.		M051 - 00114 - B094	
DATE 10/28/33			A080-91673-B000		



NO.	DESCRIPTION	DATE

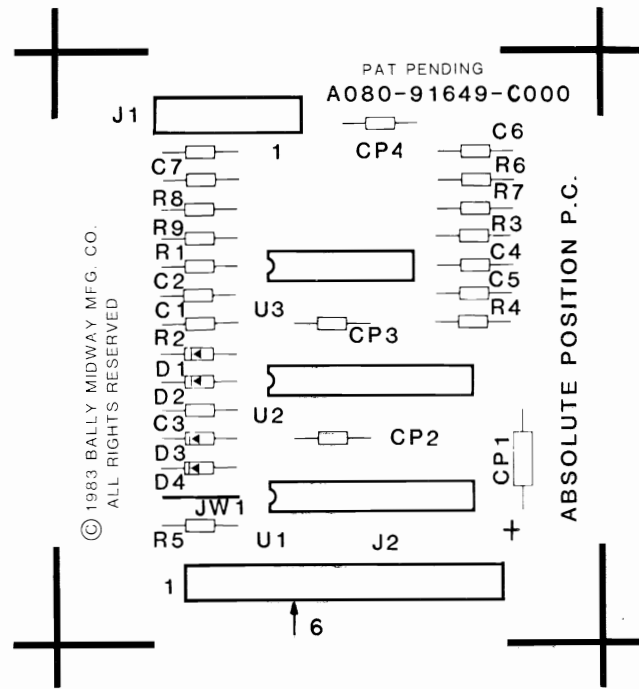
PROJECT ENG: J. BOYDSTON		USED ON		REVISIONS	
DOT SCALE DWG		HEAT TREAT	SCALE FULL	NO. REQ'D 1 PER	
DIM. TOLERANCES UNLESS SPECIFIED		MAT'L.	SCHEMATIC DWG		
DRN. <i>UAB</i>		FINISH	LAMP DRIVER P.C.		
CKD. <i>J.P.D.</i>		DATE 10/27'83	A084-91673-B000		
Bobby MIDWAY MFG. CO.				PART NO. M051-00114-B035	
FRANKLIN PK. ILL.					

DESIGNATION LIST

CROSS REFERENCE LIST

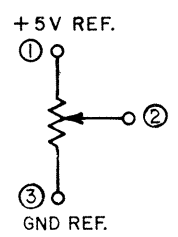
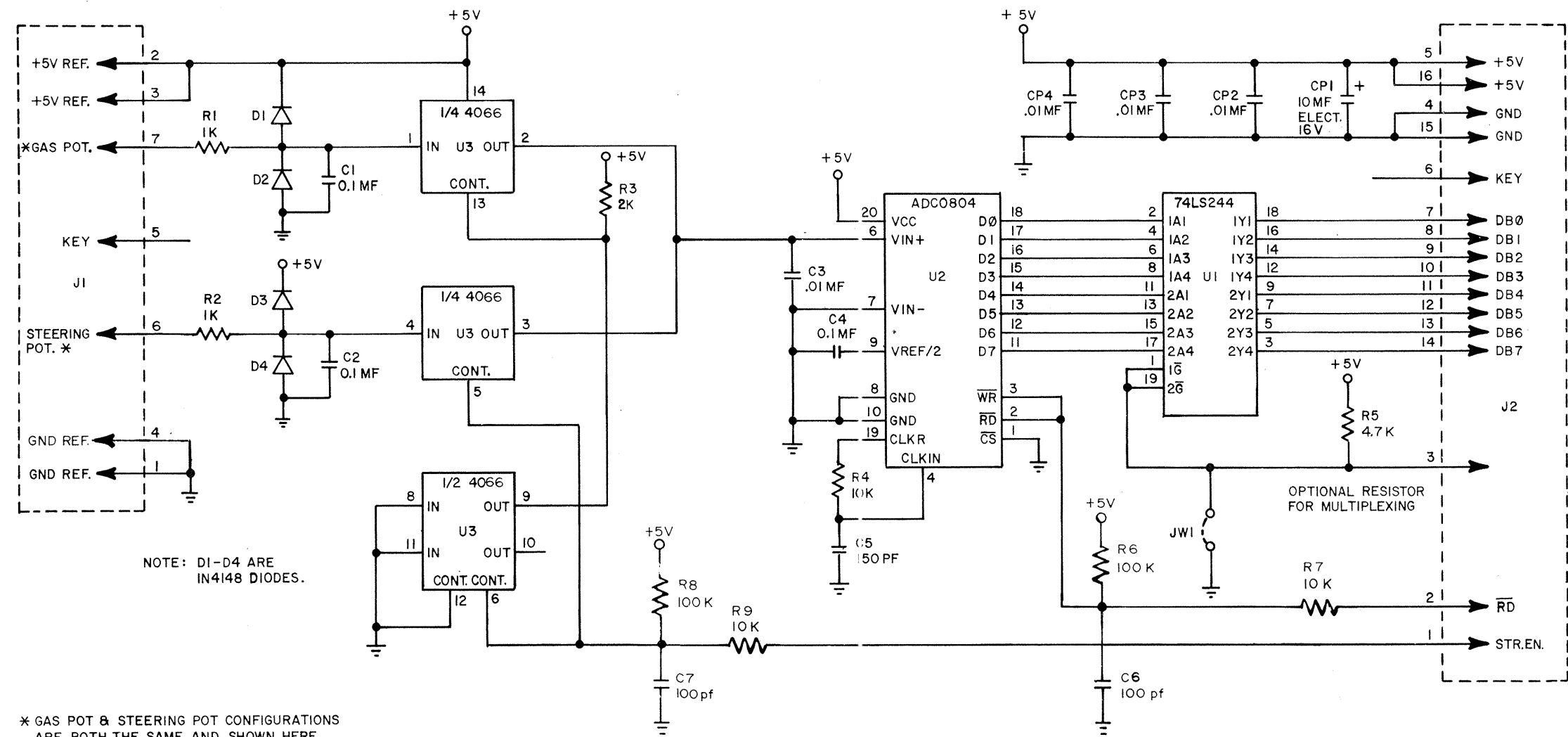
DESIGNATION NO.	DESCRIPTION
C1, C2	0.1 MF 50V AX CER
C3	.01 MF 50V AX CER
C4	.1 MF 50V AX CER
C5	150 PF 50V AX CER
C6, C7	100 PF 50V AX CER
CP1	10 MF 16V AX
CP2-CP4	.01 MF 50V AX CER
R1, R2	1K OHM 1/4W 5%
R3	2K OHM 1/4W 5%
R4	10K OHM 1/4W 5%
R5	4.7K OHM 1/4W 5%
R6	100K OHM 1/4W 5%
R7	10K OHM 1/4W 5%
R8	100K OHM 1/4W 5%
R9	10K OHM 1/4W 5%
D1-D4	1N4148 DIODE
U1	74LS244
U2	ADC0804
U3	4066
J1	.025 SQ AUTO WIRE
J2	.025 SQ AUTO WIRE
JW1	JUMPER WIRE
PCMH1-PCMH4	SPACER #8
PC BOARD	A080-91649-C000

DESCRIPTION	QTY	DESIGNATION NO.	PART NOS.
100 PF 50V AX CER	2	C6, C7	0639-00800-0003
150 PF 50V AX CER	1	C5	0307-00800-0002
.01MF 50V AX CER	4	CP2-CP4, C3	0628-00800-0100
.1 MF 50V AX CER	3	C1, C2, C4	0307-00800-0001
10 MF 16V AX	1	CP1	0628-00800-0300
1K OHM 1/4W 5%	2	R1, R2	
2K OHM 1/4W 5%	1	R3	100E-00005-0061
4.7K OHM 1/4W 5%	1	R5	100E-00005-0068
10K OHM 1/4W 5%	3	R4, R7, R9	100E-00005-0079
100K OHM 1/4W 5%	2	R6, R8	100E-00005-0115
1N4148 DIODE	4	D1-D4	103E-00002-0005
4066	1	U3	0307-00803-0002
74LS244	1	U1	0639-00803-0003
ADC0804	1	U2	0307-00803-0001
.025 SQ AUTO WIRE	21	J1, J2	0017-00033-0479
JUMPER WIRE	1	JW1	0986-00805-0200
SPACER #8	4	PCMH1-PCMH4	0017-00042-0320
P.C. BOARD	1		A080-91649-C000



PROJECT ENG: J. ROYDSTON		USED ON DISC OF TRON		<b>Bally / MIDWAY MFG. CO.</b> FRANKLIN PK IL	
DO NOT SCALE DRAWING		HEAT TREAT	SCALE FULL		
DRAWN: <i>[Signature]</i> CKD: <i>[Signature]</i> DATE: 11/11/83		ASSEMBLY DWG ABSOLUTE POSITION P.C. A080-91649-C000		PART NO. M051 - 00114 - C084	

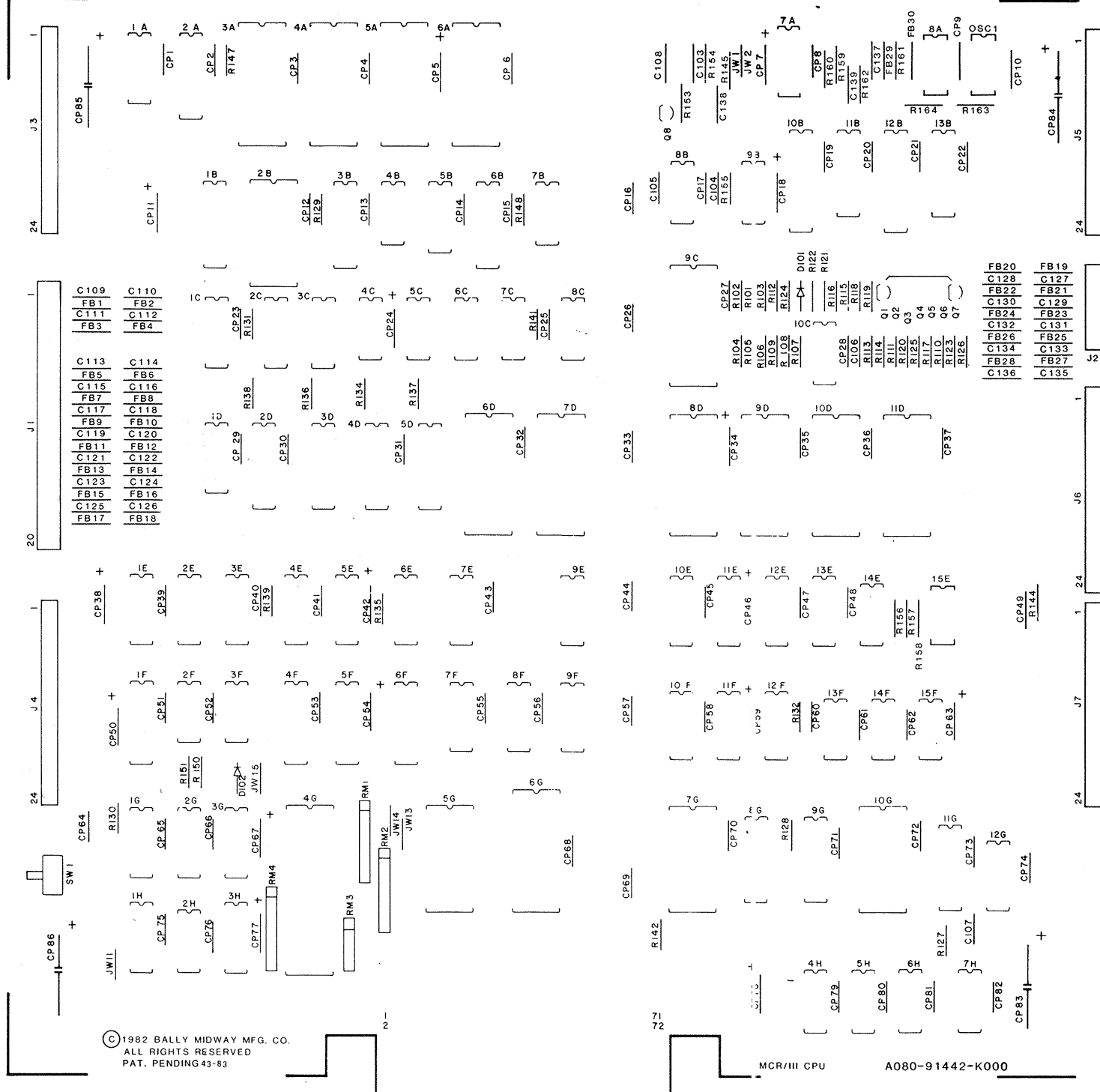




PROJECT ENG J. BOYDSTON		USED ON		REVISIONS	
DO NOT SCALE DWG		HEAT TREAT	SCALE FULL	NO. REQ'D 1 PER	
DIM. TOLERANCES UNLESS SPECIFIED		MAT'L.	SHEMATIC DWG.		PART NO. M051 - 00114 - C085
DATE 10/27/83		FINISH	ABSOLUTE POSITION P.C. A084-91649-C000		
FRANKLIN PK ILL				MIDWAY MFG. CO.	

DESIGNATION LIST

Table with 5 columns: DESIGNATION NO., DESCRIPTION, DESIGNATION NO., DESCRIPTION, DESIGNATION NO., DESCRIPTION. Lists various components like resistors, capacitors, and integrated circuits.

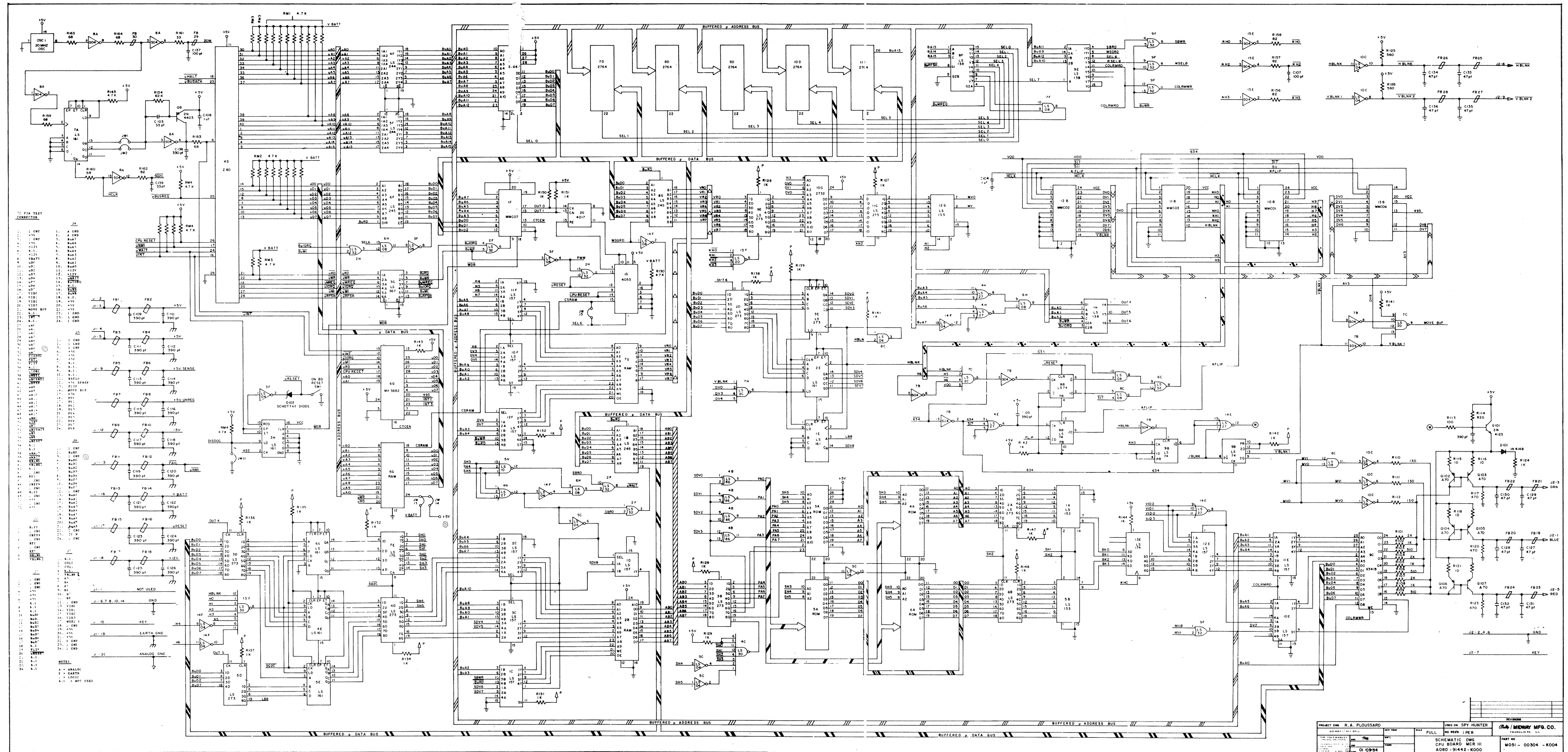


© 1982 BALLY MIDWAY MFG. CO. ALL RIGHTS RESERVED PAT. PENDING 43-93

CROSS REFERENCE LIST

Table with 7 columns: DESCRIPTION, QTY, DESIGNATION NO., PART NOS., DESCRIPTION, QTY, DESIGNATION NO., PART NOS. Lists cross-referenced parts and their quantities.

Project information form including PROJECT ENG. (R.A. PLOUSSARD), SCALE (FULL), and PART NO. (M051 - 00304 - K003).



1. CPU  
 2. RAM  
 3. ROM  
 4. CONTROL LOGIC  
 5. ADDRESS DECODE  
 6. DATA DECODE  
 7. MEMORY DECODE  
 8. I/O DECODE  
 9. POWER SUPPLY  
 10. CONTROL SIGNALS  
 11. TEST POINTS  
 12. JUNCTIONS  
 13. COMPONENTS  
 14. CONNECTIONS  
 15. LABELS  
 16. NOTES  
 17. REFERENCES  
 18. LEGEND  
 19. INDEX  
 20. APPENDIX

DESIGNED BY	S.A. FLOUSSARD	DATE	10/1/74
DRAWN BY	W. HUNTER	DATE	10/1/74
CHECKED BY		DATE	
APPROVED BY		DATE	
TITLE	SCHEMATIC DIAGRAM		
PROJECT	CPU BOARD MCR III		
REV.	0001 - 0004 - 0004		
DATE	10/1/74		
BY	W. HUNTER		
FOR	S.A. FLOUSSARD		