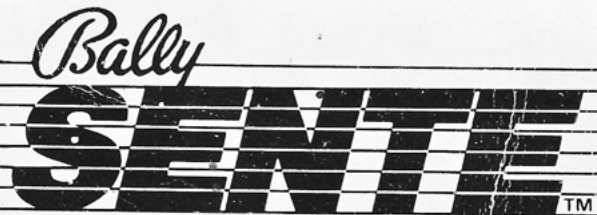


# ELECTRICAL MANUAL

## COCKTAIL TABLE MAINFRAME



MIDWAY MFG. CO.

10601 W Belmont Avenue  
Franklin Park, Illinois 60131  
U.S.A.



Phone (312) 451-9200 Cable Address MIDCO Telex No.: 72-1596

**WARNING**

**THIS GAME MUST BE GROUNDED. FAILURE TO DO SO MAY RESULT IN DESTRUCTION TO ELECTRONIC COMPONENTS.**

**WARNING:** This equipment generates, uses, and can radiate radio frequency energy and if not used in accordance with the instructions manual, may cause interference to radio communications. It has been tested and found to comply with the limits for a CLASS A computing device pursuant to SUBPART J of PART 15 of FCC RULES, which are designed to provide reasonable protection against such interference when operated in a commercial environment. Operation of this equipment in a residential area is likely to cause interference in which case the user at his own expense will be required to take whatever measures may be required to correct the interference.

ELECTRICAL BULLETIN: FOR ALL APPARATUS COVERED BY THE CANADIAN STANDARDS ASSOCIATION (CSA) STANDARD C22.2 NO. 1, WHICH EMPLOYS A SUPPLY CORD TERMINATED WITH A POLARIZED 2-PRONG ATTACHMENT PLUG.

CAUTION: TO PREVENT ELECTRIC SHOCK DO NOT USE THIS (POLARIZED) PLUG WITH AN EXTENSION CORD, RECEPTACLE OR OTHER OUTLET UNLESS THE BLADES CAN BE FULLY INSERTED TO PREVENT BLADE EXPOSURE.

ATTENTION: POUR PREVENIR CHOCS ELECTRIQUES NE PAS UTILISER CETTE FICHE POLARISEE AVEC UN PROLONGATEUR. UNE PRISE DE COURANT OU UNE AUTRE SORTIE DE COURANT, SAUF SI LES LAMES PEUVENT ETRE INSEREES A FOND SANS EN LAISSER AUCUNE PARTIE A DECOUVERT.

**Bally MIDWAY**<sup>TM</sup>

*Invites You To Use*

**OUR TOLL FREE NUMBERS FOR  
SERVICE INFORMATION CONCERNING THIS GAME, OR ANY  
OTHER BALLY MIDWAY GAME YOU NOW HAVE ON LOCATION.**

**CALL US FOR PROMPT, COURTEOUS  
ANSWERS TO YOUR PROBLEMS.**

**VIDEO → Continental U.S. 1-800-323-7182**

**PINBALL → Continental U.S. 1-800-323-3555**

**Bally MIDWAY**<sup>TM</sup>

10601 West Belmont Avenue, Franklin Park, Illinois, 60131

phone (312) 451-9200

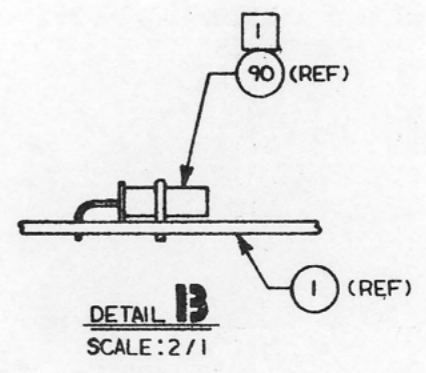
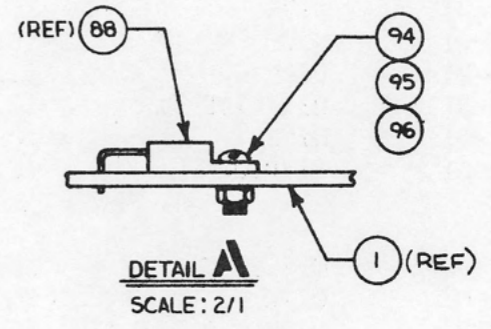
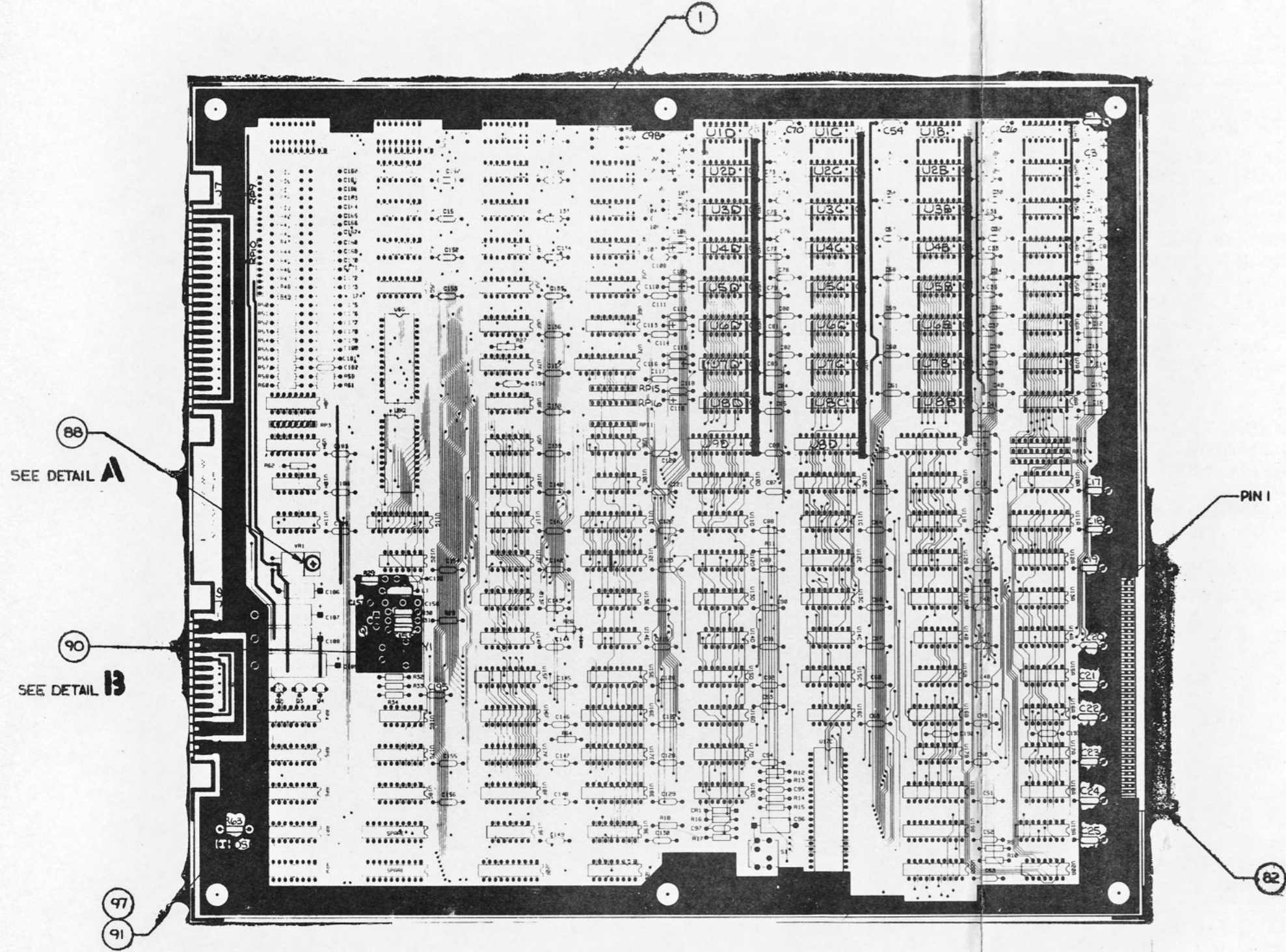
© COPYRIGHT MCMLXXXIV BY BALLY MIDWAY MFG. CO.

ALL RIGHTS RESERVED

NO PART OF THIS PUBLICATION MAY BE REPRODUCED BY ANY MECHANICAL, PHOTOGRAPHIC, OR ELECTRONIC PROCESS, OR IN THE FORM OF A PHONOGRAPHIC RECORDING, NOR MAY IT BE TRANSMITTED, OR OTHERWISE COPIED FOR PUBLIC OR PRIVATE USE, WITHOUT PERMISSION FROM THE PUBLISHER. THIS MANUAL IS FOR SERVICE USE ONLY, AND NOT FOR GENERAL DISTRIBUTION. FOR PERMISSION REQUESTS, WRITE: BALLY MIDWAY MFG. CO., 10601 W. BELMONT AVE., FRANKLIN PARK, IL 60131

Printed in U.S.A.

SYM	REV	ECO NO.	REVISIONS DESCRIPTION	DATE	APPROVED
	C	1963	DELETED 007-8001-10-0A, ADDED 007-8001-10-0C & RP11 THRU RP15	4/14	AP
	CI	1990	DELETED ITEM 15, ADDED ITEM 40, CHG QTY ON ITEMS 18, 19 & 53	1/14	AP



NOTES: UNLESS OTHERWISE SPECIFIED  
 1 Y1 (ITEM 90) TO HAVE 20 AWG WIRE WRAPPED AROUND BODY AND SOLDERED IN HOLES PROVIDED.

AMOUNT NOTE TO AVOID PART  
 INSTRUCTIONS. ALL PARTS MUST  
 BE ORDERED WITH PART  
 NUMBER EXCEPT WHERE  
 SIZE OR QUANTITY VARIANTS  
 ARE AND TAG IS UNCERTAIN.  
 CONTACT WATER PRIOR TO  
 SHIPMENT.

NOTICE TO ALL PERSONS RECEIVING THIS DRAWING:  
 THIS DRAWING IS THE PROPERTY OF PIZZA TIME THEATRE INC. AND IS TO BE KEPT CONFIDENTIAL. REPRODUCTION OR DISSEMINATION OF THIS DRAWING WITHOUT THE WRITTEN PERMISSION OF PIZZA TIME THEATRE INC. IS STRICTLY PROHIBITED. THIS DRAWING IS ONLY CONDITIONALLY REPRODUCED AND NEITHER RECEIPT NOR POSSESSION THEREOF CONFERES OR TRANSFERS ANY RIGHT IN, OR LICENSE TO USE, THE SUBJECT MATTER OF THE DRAWING OR ANY DESIGN OR TECHNICAL INFORMATION SHOWN THEREON. NO PART OF THIS DRAWING OR ANY INFORMATION CONTAINED HEREIN IS TO BE REPRODUCED OR TRANSMITTED IN ANY FORM OR BY ANY MEANS, ELECTRONIC OR MECHANICAL, INCLUDING PHOTOCOPYING, RECORDING, OR BY ANY INFORMATION STORAGE AND RETRIEVAL SYSTEM, WITHOUT THE WRITTEN PERMISSION OF PIZZA TIME THEATRE INC.

M051-00C52-C013

ITEM	DESCRIPTION/MATERIAL	QTY
-10	000-8011-10	
DASH NO.	NEXT ASSY NO.	
USED ON		
MATERIAL	SEE L/M	
FINISH		
UNLESS OTHERWISE SPECIFIED DIMENSIONS ARE IN INCHES TOLERANCES ON: ANGLES = ± 1°		
SURFACE FINISH: X = ± 1, XX = ± 0.01, XXX = ± 0.010		
DO NOT SCALE DRAWING		
DRAWN BY: L. FERTE DATE: 1/30/84		
CHECKED: L. FERTE 2/2/84		
PROJECT ENGINEER: [Signature]		
TITLE: PCB ASSEMBLY CPU, SAC-I		
SIZE: D	DRAWING NO.: 006-8001-10-0C	REV: CI
SCALE: 1/1 & NOTED		SHEET 1 OF 4

Pizza Time Theatre Inc.  
 1213 Innsbruck Dr.  
 Sunnyvale, CA 94086  
 © 1978 Pizza Time Theatre Inc.

PCB ASSEMBLY, CPU  
 (006-8001-10-0C) (M051-00C52-C013)  
 PARTS LIST - SHEET 2 of 4

ITEM	QTY.	PART NO.	REFERENCE	DESCRIPTION
1	1	007-8001-01-0C		PCB, FABRICATION, CPU, SAC-1
2				
3	3	200-0039-01	U11F, 14D, 14C	IC, DIG, TTL, 74LS00, NAND GATE
4	2	200-0040-01	U14E, 15B	IC, DIG, TTL, 74LS02, NOR GATE
5	1	200-0041-01	U16C	IC, DIG, TTL, 74LS04, HEX INVERTER
6	1	200-0042-01	U13E	IC, DIG, TTL, 74LS20, 4-IN NAND
7	3	200-0043-01	U8F, 9F, 14B	IC, DIG, TTL, 74LS32, OR GATE
8	1	200-0044-01	U17B	IC, DIG, TTL, 74LS74, DUAL D F/F
9	1	200-0075-01	U10H	IC, DIG, TTL, 74LS86, QUAD X-OR
10	1	200-0045-01	U16D	IC, DIG, TTL, 74LS96, 5 BIT SHIFT
11	2	200-0046-01	U13F, 14F	IC, DIG, TTL, 74LS109, DUAL JK F/F
12	1	200-0047-01	U19F	IC, DIG, TTL, 74LS125, QUAD BUFFER
13	2	200-0048-01	U17D, U20E	IC, DIG, TTL, 74LS138, 3-8 DECODER
14				
15				
16	2	200-0052-01	U12C, 13C	IC, DIG, TTL, 74LS163, 4 BIT COUNT
17	1	200-0076-01	U11H	IC, DIG, TTL, 74LS164, 8 BIT SHIFT
18	5	200-0053-01	U10B, 11B, 15C, 17G, 18G	IC, DIG, TTL, 74LS174, HEX D F/F
19	3	200-0032-01	U19A, 15D, 19E	IC, DIG, TTL, 74LS175, QUAD D F/F
20	7	200-0055-01	U18B, 20B, 12E, 18E, 17E, 16E, 15F	IC, DIG, TTL, 74LS244, 8TS BUFFER
21	1	200-0056-01	U19B	IC, DIG, TTL, 74LS245, 8 BUS XCVR
22	6	200-0057-01	U11D, 11C, 26, 36, 46, 56	IC, DIG, TTL, 74LS253, DATA SELECT
23	1	200-0078-01	U12A	IC, DIG, TTL, 74LS257, 4 2-1 MUX
24	1	200-0058-01	U9H	IC, DIG, TTL, 74LS259, 8 BIT LATCH
25	1	200-0059-01	U11A	IC, DIG, TTL, 74LS273, OCTAL D F/F
26	1	200-0077-01	U11G	IC, DIG, TTL, 74LS299, 8 BIT SHIFT
27	5	200-0060-01	U10C, 10D, 9D, 9C, 11E	IC, DIG, TTL, 74LS374, OCTAL D F/F
28				
29				
30	2	200-0061-01	U17A, 15A	IC, DIG, TTL, 74S00, NAND GATE
31	1	200-0062-01	U16A	IC, DIG, TTL, 74S02, NOR GATE
32	2	200-0063-01	U12G, 18A	IC, DIG, TTL, 74S04, HEX INVERTER
33	1	200-0064-01	U10F	IC, DIG, TTL, 74S08, AND GATE
34	1	200-0065-01	U10E	IC, DIG, TTL, 74S32, OR GATE
35	1	200-0066-01	U12F	IC, DIG, TTL, 74S74, DUAL D F/F
36	7	200-0067-01	U2E-6E, 1F, 2F	IC, DIG, TTL, 74S151, 8-1 MUX
37	3	200-0068-01	U12B, 13B, 13A	IC, DIG, TTL, 74S157, 4 2-1 MUX
38	6	200-0069-01	U3F, 4F, 5F, 6F, 13D, 12D	IC, DIG, TTL, 74S163, 4 BIT COUNT
39	3	200-0070-01	U9E, 14A, 10A	IC, DIG, TTL, 74S174, HEX D F/F
40	2	200-0082-01	U20A, U16G	IC, DIG, TTL, 74S86, QUAD X-OR
41				
42	1	210-0005-01	U18D	IC, DIG, CMOS, 4049UB, HEX INVERTER
43	1	230-0007-01	U15E	IC, DIG, NOV RAM, X 2212, 256 X 4

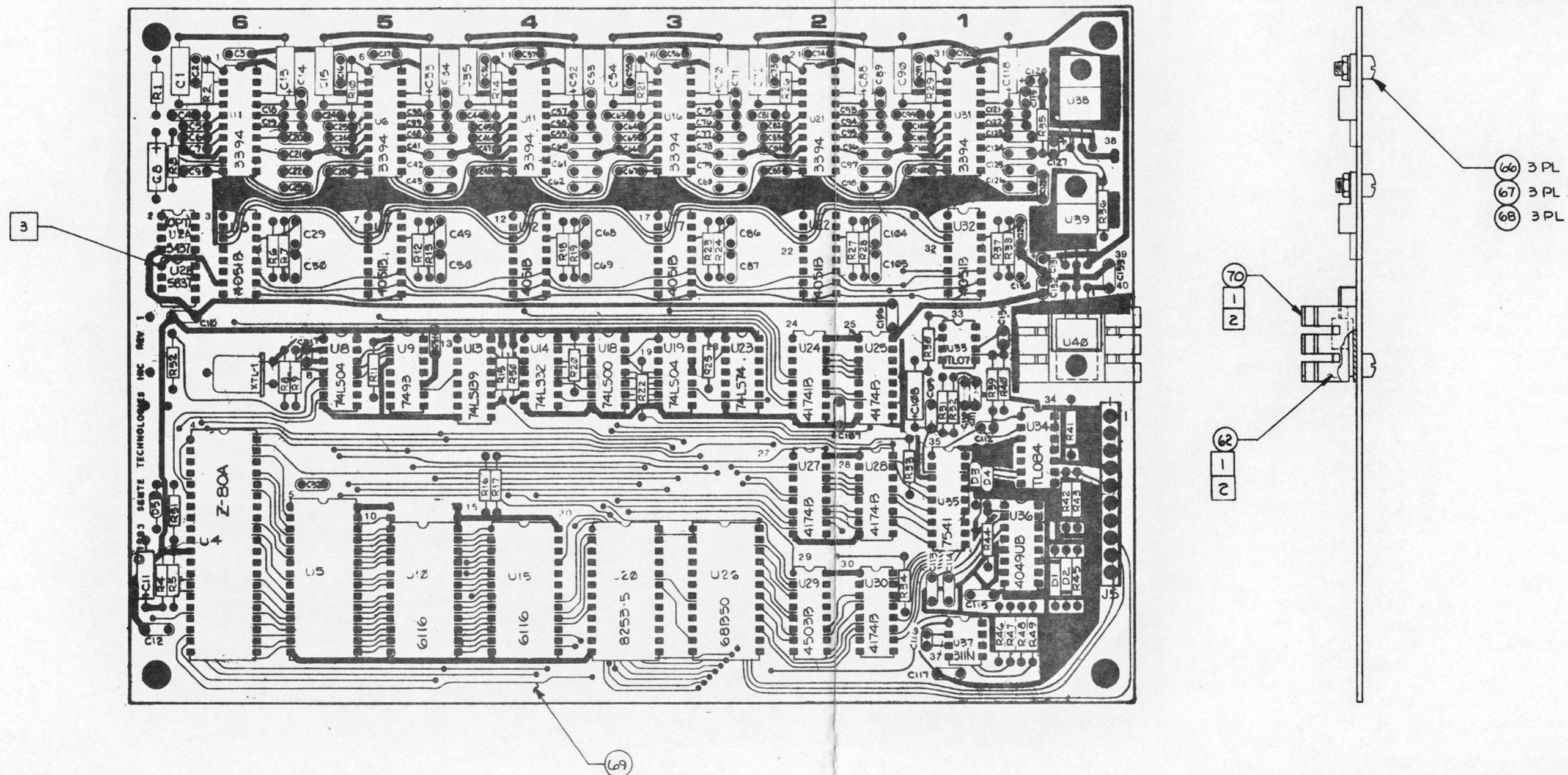
PCB ASSEMBLY, CPU  
 (006-8001-10-0C) (M051-00C52-C013)  
 PARTS LIST - SHEET 3 of 4

ITEM	QTY.	PART NO.	REFERENCE	DESCRIPTION
44	3	240-0003-01	U18F,17F,16F	IC,DIG,RAM,2148,1K X 4,70NS
45	32	240-0004-01	U1A-BA,1B-8B, 1C-8C,1D-8D	IC,DIG,RAM,4116,16K X 1,150NS
46	1	260-0002-01	U8H	IC,DIG,INT,ULN2003,DRIVER
47	1	015-8001-10-0B	U20F	PAL,SAC-1
48	1	250-0010-01	U9G	IC,DIG,MPS,68B50,ACIA,.75MHZ
49	1	250-0006-01	U17C	IC,DIG,MPU,68A09E
50	1	260-0030-01	U6G	IC,SP,,ADC 8 BIT,ADC0809
51	1	320-0006-01	C157	CAP,MIC,RAD,12PF,500V,5%
52	1	320-0007-01	C158	CAP,MIC,RAD,100PF,500V,5%
53	172	300-0009-01	C1,3,5,7,9,11,13, 15,17-95,97,98, 100,102,103,105, 106,108,109,111, 112,114,115,117, 118,120,121-156, 159-185,190-195	CAP,CER,AXL,0.1UF,50V,20%
54	2	340-0015-01	C96,186	CAP,ELEC,AXL,1.0UF,63V,50/-10%
55	2	340-0011-01	C187,C188	CAP,ELEC,AXL,100UF,16V,50/-10%
56	1	340-0018-01	C189	CAP,ELEC,AXL,470UF,6.3V,50/ -10%
57	8	310-0013-01	C2,6,10,14,101, 107,113,119	CAP,TAN,AXL,2.2UF,10V,20%
58	8	310-0014-01	C4,8,12,16,99, 104,110,116	CAP,TAN,AXL,4.7UF,20V,20%
59	4	460-0015-01	RP11,RP13,RP15, RP16	RES,PAK,SIP,8 PIN,4X,33 OHM
60	2	460-0016-01	RP12,RP14	RES,PAK,SIP,10 PIN,5X,33 OHM
61				
62	1	400-1500-01	R63	RES,CF,1/4W,5%,150 OHM
63	1	400-2200-01	R29	RES,CF,1/4W,5%,220 OHM
64	3	400-4700-01	R32-34	RES,CF,1/4W,5%,470 OHM
65	37	400-1001-01	R7,8,9,11,14,15, 18-21,27,28,35-57 62,64	RES,CF,1/4W,5%,1K OHM
66	1	400-2701-01	R12	RES,CF,1/4W,5%,2.7K OHM
67	6	400-4701-01	R13,31,58-61	RES,CF,1/4W,5%,4.7K OHM
68	2	400-1002-01	R26,30	RES,CF,1/4W,5%,10K OHM
69	2	400-1003-01	R16,17	RES,CF,1/4W,5%,100K OHM
70	5	460-0011-01	RP4-8	RES,PAK,DIP,16 PIN,8X,2.2K OHM
71	2	460-0012-01	RP9,10	RES,PAK,SIP,10 PIN,9X,470 OHM
72	1	460-0014-01	RP3	RES,PAK,SIP,8 PIN,7X,1.0K OHM
73	2	460-0013-01	RP1,2	RES,PAK,SIP,10 PIN,9X,10K OHM
74	1	400-2700-01	R10	RES,CF,1/4W,5%,270 OHM
75				
76	1	510-0019-01	U9G	SOCKET,IC,24P,LOW PROF,PC
77	1	510-0020-01	U6G	SOCKET,IC,28P,LOW PROF,PC
78	1	510-0021-01	U17C	SOCKET,IC,40P,LOW PROF,PC

PCB ASSEMBLY, CPU  
 (006-8001-10-0C) (M051-00C52-C013)  
 PARTS LIST - SHEET 4 of 4

ITEM	QTY.	PART NO.	REFERENCE	DESCRIPTION
79				
80				
81				
82	1	550-0063-01	J22	CONN,AMP 1-102589-7
83	1	500-0016-01	L1	INDUCTOR,FER,AXL,100UH,10%
84	1	100-0002-01	CRI	D10,SI,10MA,75 PIV,IN914
85				
86				
87	4	120-0003-01	Q1,2,3,4	XSTR,SI,NPN,2N3904
88	1	260-0011-01	VR1	IC,LIN,VR,7905,5V NEG
89				
90	1	820-0004-01	Y1	CRYSTAL,20.000MHZ
91	1	840-0036-01	DS1	OPT,DSP,LED,SNR,RED
92	2	570-0036-01	U1G,1H	SW,DIP,8 PST
93				
94	1	801-0440-06-01		SCREW PH PH 4-40 X 3/8"
95	1	812-0440-00-01		NUT,HEX,4-40
96	1	822-0004-00-01		WASHER,SPLIT LOCK #4
97	1	800-00237-01	DS1	SPACER,LED
98				
99				
100				
101				
102	2	200-0079-01	U7F,U16B	IC,DIG,TTL,74F175,QUAD D F/F
103	2	200-0080-01	U7E,U9B	IC,DIG,TTL,74F374,OCTAL D F/F
104				
105				

SYM	REV	ECO NO.	REVISIONS DESCRIPTION	DATE	APPROVED
	1		PROTOTYPE	7/21/83	[Signature]
	A	1892	PRODUCTION RELEASE	11/27/83	[Signature]
	1	A 1900	ADDED NOTE 3, REVERSED POLARITY OF C8.	1/25/84	[Signature]
	B	1924	ADDED 2 HEATSINKS, ITEMS 62 & 70	1/25/84	[Signature]



- NOTES:
- 1 FASTEN U40 (ITEM 53) TO HEATSINK (ITEM 62), HEATSINK (ITEM 70), AND PCB (ITEM 69), WITH HARDWARE (ITEM 66, 67 & 68) BEFORE SOLDERING TO PCB.
  - 2 APPLY HEATSINK COMPOUND TO HEATSINK (ITEM 62) & HEATSINK (ITEM 70) PRIOR TO MOUNTING.
  - 3 SHORT PIN 1 TO PIN 2 OF U2B, AND MOUNT C8 AS SHOWN TO USE AMI 2688 (5837 EQUIV)

VENDOR NOTE TO AVOID PART REJECTION ALL PARTS MUST BE MARKED WITH THE PART NUMBER EXCEPT WHERE SIZE OR QUANTITY WARRANTS. BAG AND TAG IF UNCERTAIN CONTACT BUYER PRIOR TO SHIPMENT.

NOTE TO ALL PERSONS RECEIVING THIS DRAWING: CONFIDENTIAL. Reproduction, Forfeiture, without the specific written permission of Pizza Time Theatre Inc., Sunnyvale, California. This drawing is not conditionally issued, and neither receipt nor possession thereof confers or transfers any right in, or license to use, the subject matter of the drawing or any design or technical information shown thereon. No one has the right to reproduce this drawing or any part thereof except by manufacture by vendors for Pizza Time Theatre Inc. and for manufacture under the cooperation of written license or right to reproduce this drawing or part thereof or the subject matter thereof unless by written agreement with or written permission from the corporation.

ITEM		DESCRIPTION/MATERIAL		QTY
10	000-8011-10	DO NOT SCALE DRAWING		
DASH NO	NEXT ASSY NO	DRAWN BY: L. Forte DATE: 11/14/83		
USED ON		CHECKED: L. Forte ENGINEER DATE: 11/28/83		
MATERIAL: SEE L/M		MFG. ENGINEER: C. Jones DATE: 1/24/84		
FINISH		PROJECT ENGINEER		
TITLE: PCB ASSEMBLY, AUDIO, 6VB		DRAWING NO: 006-8002-10-0B		REV: 0B
SCALE: 2:1		SHEET: 1 OF 4		

M051-00C52-B015

**Pizza Time Theatre Inc.**  
1213 Innsbruck Dr.  
Sunnyvale, CA 94086  
© 1978 Pizza Time Theatre Inc.

**PCB ASSEMBLY, AUDIO 6VB**  
**(006-8002-10-0B) (M051-00C52-B015)**  
**PARTS LIST - SHEET 2 of 4**

ITEM	QTY.	PART NO.	REFERENCE	DESCRIPTION
1	2	400-1001-01	R1,R44	RES,CF,1/4W,5%,1K OHM
2	1	400-6802-01	R3	RES,CF,1/4W,5%,68K OHM
3	5	400-1003-01	R4,5,42,45,51	RES,CF,1/4W,5%,100K OHM
4	12	400-1004-01	R6,7,12,13	RES,CF,1/4W,5%,1.0M OHM
5	3	400-3300-01	R8,9,11	RES,CF,1/4W,5%,330 OHM
6	6	400-2001-01	R15,16,17,20,22,50	RES,CF,1/4W,5%,2.0K OHM
7	3	400-4701-01	R25,41,46	RES,CF,1/4W,5%,4.7K OHM
8	2	400-4702-01	R48,49	RES,CF,1/4W,5%,47K OHM
9	1	400-3307-01	R43	RES,CF,1/4W,5%,33 OHM
10	1	401-1005-01	R47	RES,CC,1/4W,5%,10M OHM
11	6	450-3013-01	R2,10,14,21,26,29	RES,MF,1/8W,1%,301K OHM
12	1	450-1962-01	R40	RES,MF,1/8W,1%,19.6K OHM
13				
14	1	450-2002-01	R30	RES,MF,1/8W,1%,20.0K OHM
15	1	450-4021-01	R31	RES,MF,1/8W,1%,4.02K OHM
16	1	450-1001-01	R32	RES,MF,1/8W,1%,1.00K OHM
17	1	450-1210-01	R35	RES,MF,1/8W,1%,121 OHM
18	1	450-4990-01	R36	RES,MF,1/8W,1%,499 OHM
19	1	450-1002-01	R39	RES,MF,1/8W,1%,10.0K OHM
20				
21	12	330-0005-01	C14,18,34,38,53, 57,71,75,89,93,119, 121	CAP,PES,RAD,0.001UF, 100V,10%
22	6	330-0009-01	C1,15,35 54,72,90	CAP,PST,AXL,0.002UF, 100V,5%
23	48	330-0006-01	C2,5,6,7,9,16,23,25, 26,27,28,29,30,36,43, 45,46,47,48,49,50,55, 62,64,65,66,67,68,69, 73,80,82,83,84,85,86, 87,91,98,100,101,102, 103,104,105,126,129, 130	CAP,PES,RAD,0.01UF,100V, 10%
24	20	330-0007-01	C20,21,22,40,41,42, 59,60,61,77,78,79,95, 96,97,113,114,123, 124,125	CAP,PES,RAD,0.033UF,100V 10%
25	3	300-0011-01	C112,116,134	CAP,CER,RAD,33PF,50V,10%
26	7	300-0012-01	C19,31,39,58,76,94, 122	CAP,CER,RAD,680PF,50V,5%
27	25	300-0002-01	C3,4,10,12,17,24,32, 37,44,51,56,63,74,81, 92,99,106,107,109, 110,111,115,117,128, 133	CAP,CER,RAD,0.1UF,50V,20%
28	3	310-0012-01	C127,131,132	CAP,TAN,RAD,1.0UF,25V,20%
29	3	340-0016-01	C8,11,108	CAP,ELC,AXL,2.2UF,63V,50/ 10%



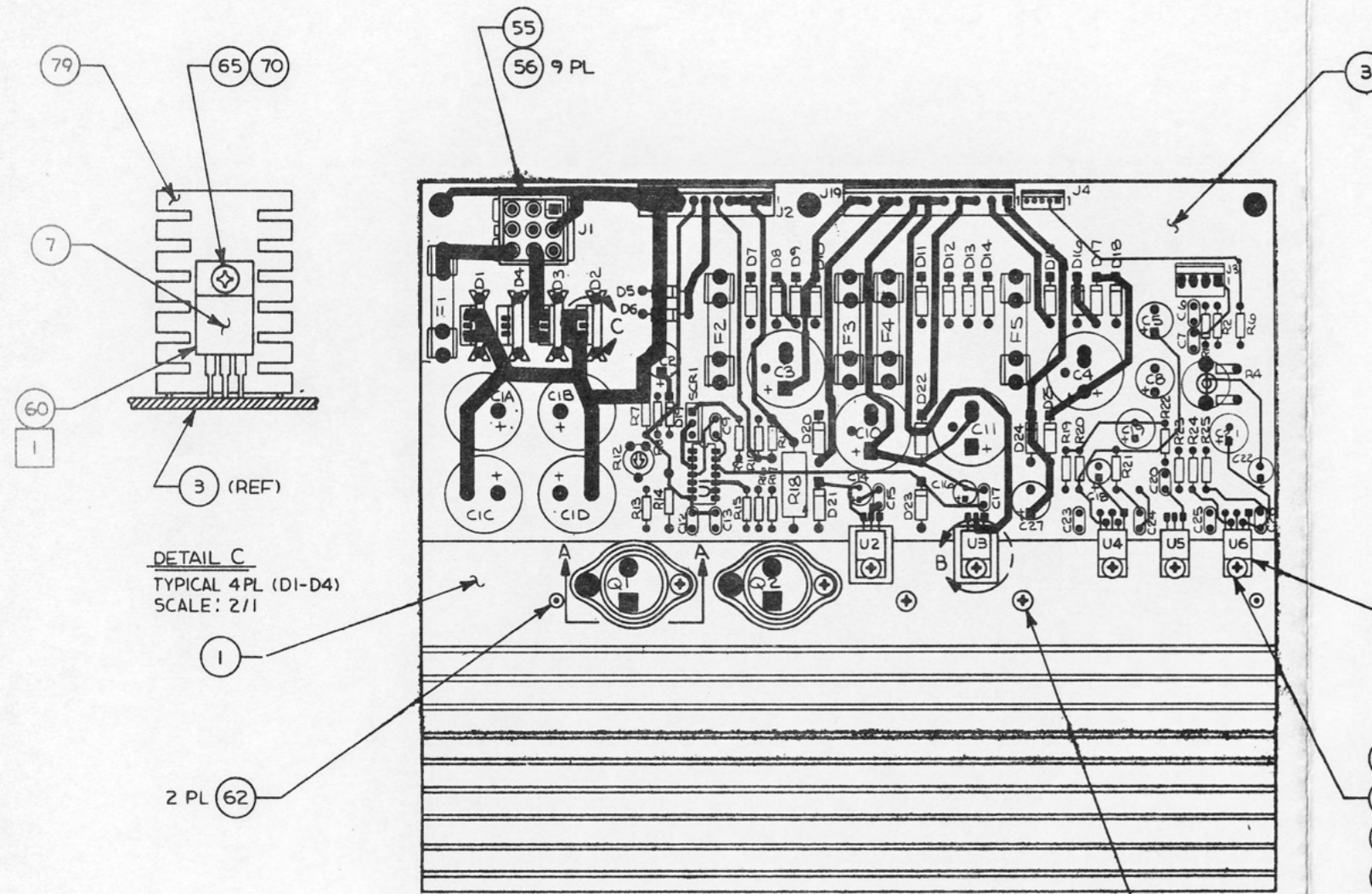
**PCB ASSEMBLY, AUDIO 6VB**  
**(006-8002-10-0B) (M051-00C52-B015)**  
**PARTS LIST - SHEET 3 of 4**

ITEM	QTY.	PART NO.	REFERENCE	DESCRIPTION
30	6	340-0017-01	C13,33,52,70,88,118	CAP,ELC,AXL,10UF,35V,50/10%
31	6	260-0033-01	U1,6,11,16,21,31	IC,SP,SOUND,SYNTH,CFM,3394
32	5	210-0007-01	U24,25,27,28,30	IC,DIG,CMOS,4174B,HEX D F/F
33	6	210-0006-01	U3,7,12,17,22,32	IC,DIG,CMOS,4051B,8 CHAN MUX
34	1	210-0005-01	U36	IC,DIG,CMOS,4049UB,HEX INVERT
35	1	260-0029-01	U34	IC,LIN,OPAMP,TL084,QUAD,JFET
36	1	260-0031-01	U35	IC,SP,DAC 12 BIT, 7541
37	1	260-0007-01	U37	IC,LIN,COMP,LM311N
38	1	260-0037-01	U33	IC,LIN,OPAMP,TL071,JFET, INPUT
39	1	210-0008-01	U29	IC,DIG,CMOS,4503B,HEX TS BUFFER
40	1	260-0040-01	U2	IC,SP,NOISE SOURCE MM5837
41	1	200-0039-01	U18	IC,DIG,TTL,74LS00,NAND GATE
42	2	200-0041-01	U8,19	IC,DIG,TTL,74LS04,HEX INVERTER
43	1	200-0043-01	U14	IC,DIG,TTL,74LS32,OR GATE
44	1	200-0044-01	U23	IC,DIG,TTL,74LS74,DUAL D F/F
45	1	200-0074-01	U9	IC,DIG,TTL,7493,4 BIT COUNT
46	1	200-0049-01	U13	IC,DIG,TTL,74LS139,2-4 DECODER
47	1	250-0007-01	U4	IC,DIG,MPU,2-80A
48				
49	2	240-0005-01	U10,15	IC,DIG,RAM,6116,2KX8, 200NS
50	1	250-0008-01	U20	IC,DIG,MPS,8253-5,TIMER
51	1	250-0010-01	U26	IC,DIG,MPS,68B50,ACIA .75MHZ
52	1	260-0027-01	U38	IC,LIN,VR,337T,VARIABLE NEG.
53	1	260-0028-01	U40	IC,LIN,VR,78M05CT,5V POS
54	1	260-0008-01	U39	IC,LIN,VR,7805,5V POS
55	4	100-0006-01	D1,2,3,4	DIO,GR,50MA,75PIV,IN34
56	1	550-0062-01	J5	CONN 10 PIN LOCKING 09-74-1101
57	4	510-0019-01	U10,15,20,26	SOCKET,IC,24P,LOW PRO
58	1	510-0020-01	U5	SOCKET,IC,28P,LOW PRO
59	1	510-0021-01	U4	SOCKET,IC,40P,LOW PRO
60	1	100-0002-01	D5	D10,S1,10MA,75 PIV,IN914

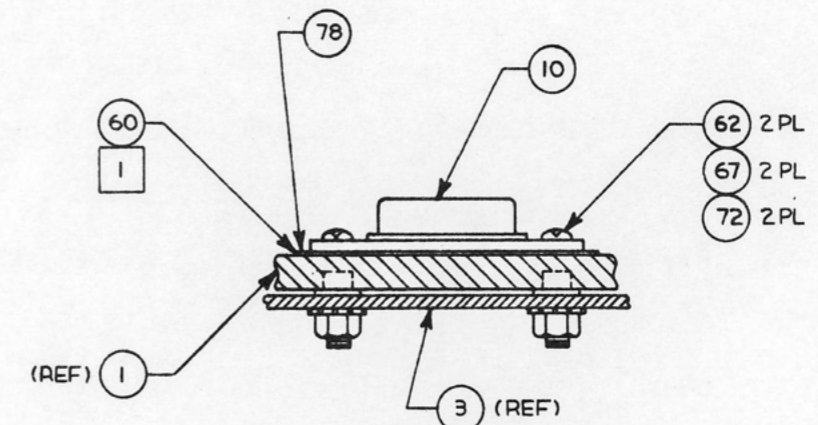
PCB ASSEMBLY, AUDIO 6VB  
 (006-8002-10-0B) (M051-00C52-B015)  
 PARTS LIST - SHEET 4 of 4

ITEM	QTY.	PART NO.	REFERENCE	DESCRIPTION
61	1	820-0003-01	XTL-1	CRYSTAL 8.000MHZ
62	1	850-0007-01	HS-1	HEATSINK, THM-6070
63	1	310-0015-01	C120	CAP, TANT, RAD, 47UF, 15V, 20%
64	2	400-2703-01	R33, 34	RES, CF, 1/4W, 5%, 270K OHM
65	1	400-2700-01	R52	RES, CF, 1/4W, 5%, 270 OHM
66	3	801-0632-06-01		SCREW PAN HD-PHIL 6-32X 3/8
67	3	822-0006-00-01		WASHER SPLITLOCK 6
68	3	816-0632-00-01		NUT, HEX, SM PAT, 6-32
69	1	007-8002-01-0A		PCB, FAB, AUDIO, 6VB
70	1	850-0008-01	HS-2	HEATSINK, THM-6071

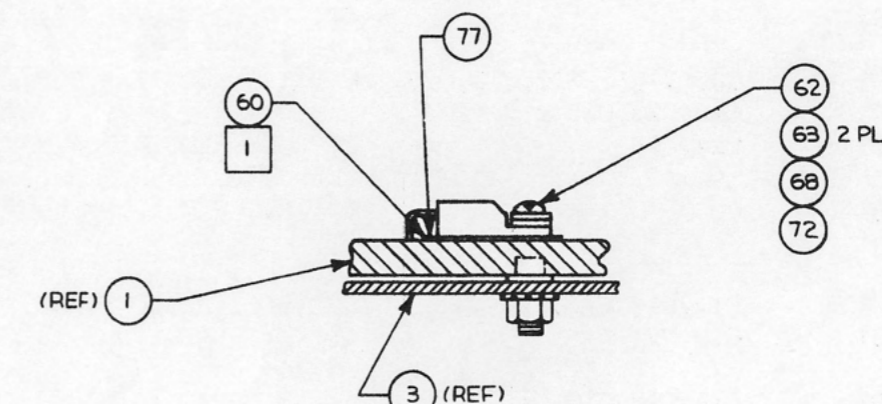
SYM	REV	ECO NO.	REVISIONS DESCRIPTION	DATE	APPROVED
	B	1998	RELEASED REDESIGNED PCB	9/26/84	MB



DETAIL C  
TYPICAL 4 PL (D1-D4)  
SCALE: 2/1



VIEW A-A  
TYPICAL 2 PL (Q1, Q2)  
SCALE: 2/1



DETAIL B  
TYPICAL 2 PL (U2, U3)  
SCALE: 2/1

NOTES: UNLESS OTHERWISE SPECIFIED

- 1 APPLY HEATSINK COMPOUND (ITEM 60) ON BOTH SIDES OF INSULATOR (ITEM 78) AT Q1 AND Q2, AND ON BOTH SIDES OF INSULATOR (ITEM 77) AT U2 AND U3. APPLY BETWEEN HEATSINK AND COMPONENT AT U4, U5, U6, D1, D2, D3 AND D4.

M051-00C52-B017

ITEM		DESCRIPTION/MATERIAL		QTY
IO	000-8011-10	UNLESS OTHERWISE SPECIFIED DIMENSIONS ARE IN INCHES TOLERANCES ON ANGLES = ± 1°		
DASH NO	NEXT ASSY NO	SURFACE FINISH ✓ X = ± .1 XX = ± .03 XXX = ± .010		
USED ON		MATERIAL		
		FINISH		
		DO NOT SCALE DRAWING		
		DRAWN BY DATE		
		CHECKED ENGINEER		
		MFG. ENGINEER		
		PROJECT ENGINEER		
		DRAWN BY DATE		
		CHECKED ENGINEER		
		MFG. ENGINEER		
		PROJECT ENGINEER		
		TITLE		
		PCB ASSY, LINEAR POWER SUPPLY		
		SIZE DRAWING NO		
		D 006-8009-10-0B		
		REV		
		B		

VENDOR NOTE: TO AVOID PART REJECTION ALL PARTS MUST BE MARKED WITH PART NUMBER EXCEPT WHERE SIZE OR QUANTITY WARRANTS BAG AND TAG IF UNCERTAIN CONTACT BUYER PRIOR TO SHIPMENT

NOTICE TO ALL PERSONS RECEIVING THIS DRAWING: CONFIDENTIAL. Reproductions Forbidden without the specific written permission of Pizza Time Theatre Inc. of Sunnyvale, California. This drawing is not conditionally issued, and neither receipt nor possession thereof confers or transfers any right in, or license to use, the subject matter of the drawing or any design or technical information shown thereon, nor any right to reproduce this drawing or any part thereof, except for manufacture by vendors for Pizza Time Theatre Inc. and for manufacture under the corporation's written license. No right to reproduce this drawing is granted or the subject matter thereof unless by written agreement with or written permission from the corporation.

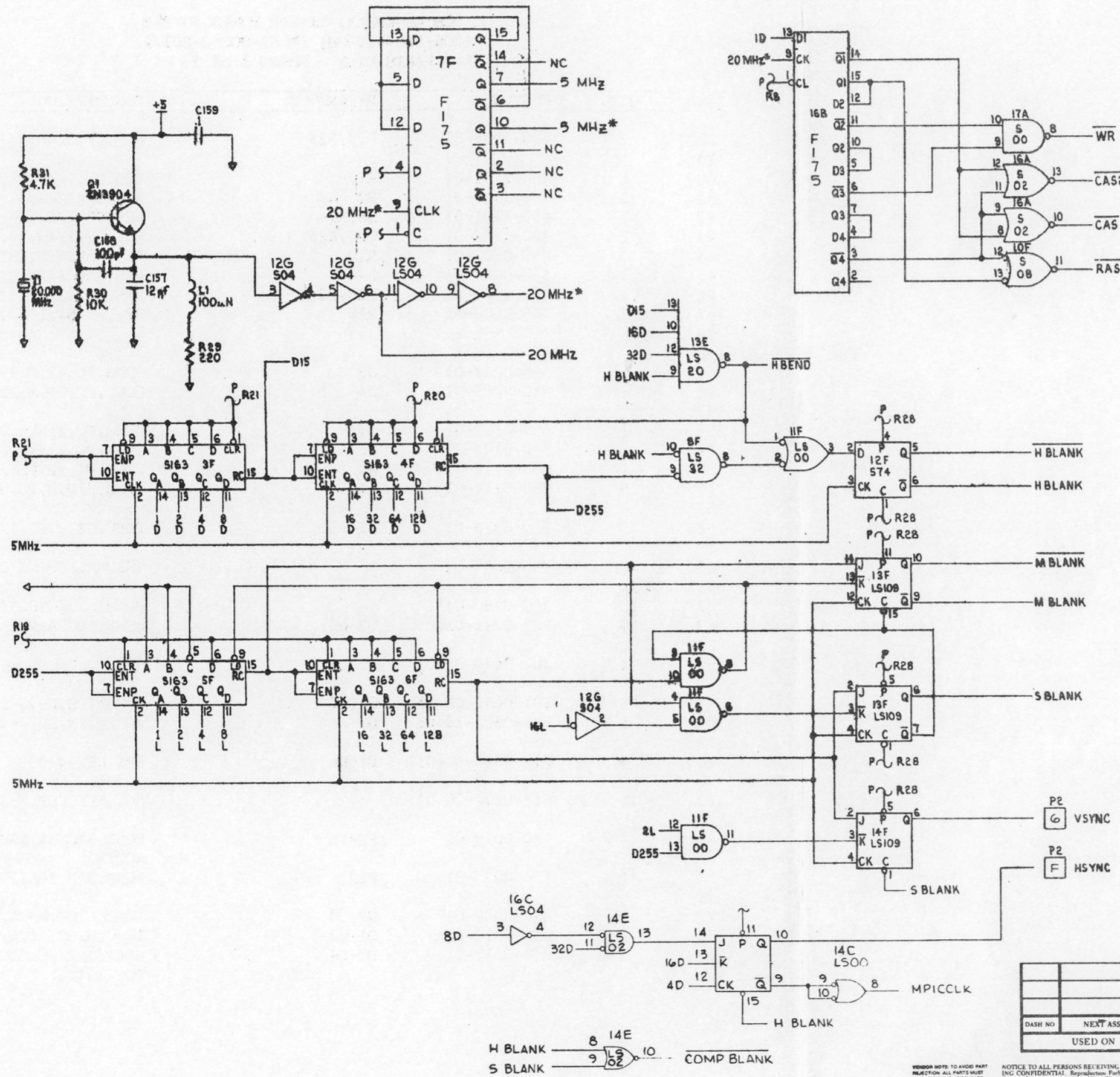
PCB ASSEMBLY, LINEAR POWER SUPPLY  
(006-8009-10-0B) (M051-00C52-B017)  
PARTS LIST - SHEET 2 of 3

ITEM	QTY.	PART NO.	REFERENCE	DESCRIPTION
1	1	001-8076-01-0B		HEATSINK,E-368/#5555
2				
3	1	007-8009-10-0B		PCB FAB, LINEAR PWR SPLY
4				
5	20	100-0008-01	D5-D18,D20-D25	D10,SI,3A,100 PIV,MR501
6				
7	4	105-0004-01	D1-D4	D10,RECTIFIER,16A, MUR1610 CT
8	1	110-0004-01	D19	D10,ZEN,5.6V,20MA,IN752A
9				
10	2	120-0004-01	Q1,Q2	XSTR,SI,NPN,2N3055
11				
12	1	160-0004-01	SCR1	SCR,8A,50V,C122F1
13				
14	2	260-0039-01	U4,U6	IC,LIN,SP,TDA2002,AUD AMP
15	1	260-0042-01	U2	IC,LIN,VR,MC7912,-12V, 3 POS
16	1	260-0043-01	U3	IC,LIN,VR,MC7812,+12V, 3 POS
17	1	260-0044-01	U5	IC,LIN,VR,MC7815,+15V, 3 POS
18	1	260-0045-01	U1	IC,LIN,VR,MC1723,SI,MONO
19				
20	9	300-0002-01	C6,C7,C12,C13,C15,C17, C20,C23,C25	CAP,CER,RAD,.1MF,50V
21	2	300-0001-01	C24,C26	CAP,CER,RAD,.022UF,50V, 20%
22	1	320-0007-01	C9	CAP,MIC,RAD,100PF,500V, 5%
23				
24	4	340-0026-01	C14,C16,C18,C22	CAP,ELC,RAD,10MF,50V,20%
25	2	340-0027-01	C19,C21	CAP,ELC,RAD,470MF,16V, -10%,+50%
26	4	340-0028-01	C1A,C1B,C1C,C1D	CAP,ELC,RAD,10.000MF,16V +10%,-30%
27	4	340-0029-01	C3,C4,C10,C11	CAP,ELC,RAD,6800MF,25V, -10%,+30%
28	4	340-0030-01	C2,C5,C8,C27	CAP,ELC,RAD,1000MF,50V, 20%
29				
30	2	400-1000-01	R8,R16	RES,CF,1/4W,5%,100 OHM
31	2	400-1008-01	R1,R2	RES,CF,1/4W,5%,1 OHM
32				
33	2	400-1007-01	R7,R11	RES,CF,1/4W,5%,10 OHM
34				
35	1	400-1501-01	R13,R10	RES,CF,1/4W,5%,1.5K OHM
36				
37	1	400-2200-01	R15	RES,CF,1/4W,5%,220 OHM

**PCB ASSEMBLY, LINEAR POWER SUPPLY**  
**(006-8009-10-0B) (M051-00C52-B017)**  
**PARTS LIST - SHEET 3 of 3**

ITEM	QTY.	PART NO.	REFERENCE	DESCRIPTION
38	2	400-2208-01	R19,R23	RES,CF,1/4W,5%,2.2 OHM
39				
40	1	400-2701-01	R17	RES,CF,1/4W,5%,2.7K OHM
41	1	400-3900-01	R9	RES,CF,1/4W,5%,390 OHM
42	2	400-4701-01	R6,R14	RES,CF,1/4W,5%,4.7K OHM
43	2	400-4707-01	R21,R25	RES,CF,1/4W,5%,47 OHM
44	1	480-0007-01	R12	RES,VAR,STR,TRIM,1K OHM
45	1	480-0008-01	R4	RES,VAR,STR,TRIM,100 OHM
46	3	410-2200-01	R20,22,24	RES,CF,1/2W,5%,220 OHM
47	1	440-0508-01	R18	RES,WW,5W,10%,.05 OHM
48				
49				
50	1	550-0067-01	J3	CONN,PC,4P,M,09-74-1041
51	1	550-0068-01	J4	CONN,PC,5P,M,22-23-2051
52				
53	1	550-0102-01	J2	CONN,PC,11P,M,09-74-1111
54	1	550-0103-01	J19	CONN,PC,11P,M,10-19-1111
55	1	550-0110-01	J1	CONN,PC,9P,PLG,19-09-2099
56	9	550-0111-01	J1	CONN,PIN,M,PC,02-09-8113
57				
58	10	580-0070-01	F1-F5	FUSE,CLIP,PC,1/4"
59				
60	A/R	790-0007-01		THERMAL JOINT COMPOUND
61				
62	13	800-0240-01		BUSHING,INSULATED,NYLON
63	10	800-0241-01	U2-U6	WSHR,RECTANGULAR,METAL,#6
64				
65	4	801-0440-04-01	D1-D4	SCREW,PH,PH,4-40 X 1/4"
66				
67	6	801-0632-08-01	Q1,Q2	SCREW,PH,PH,6-32 X 1/2"
68	5	801-0632-10-01	U2-U6	SCREW,PH,PH,6-32 X 5/8"
69				
70	4	812-0440-00-01	D1-D4	NUT,HEX,4-40
71				
72	11	813-0632-00-01		NUT,HEX,KEP,6-32
73				
74	4	830-0019-01	F2-F5	FUSE,3AG,3A,250V,FAST ACTING
75	1	830-0020-01	F1	FUSE,3AB,10A,250V,SLO-BLO
76				
77	2	850-0009-01	U2,U3	INSULATOR,MICA,TO-220
78	2	850-0010-01	Q1,Q2	INSULATOR,MICA,TO-3
79	4	850-0011-01	D1-D4	HEATSINK,PC MOUNT,VERT, TO-220

SYM	REV	ECO NO.	REVISIONS DESCRIPTION	DATE	APPROVED
A	1892		PRODUCTION RELEASE	1/28/81	[Signature]
B	1931		U7F, U16B WAS 74S175; IS 74F175		
	1947		U9D, U7E WAS 74S273; IS 74F374	2/7/81	[Signature]
C	1963		ADDED R211 THROUGH R215, SHT M'S 4, 7 OF IO. MODIFIED SHT 1 ZONE C & C7	2/7/81	[Signature]
C1	1990		U15A WAS LS157; IS 5157, U11B WAS LS175 IS LS174, ADDED U20A & U16C	9/15/81	[Signature]

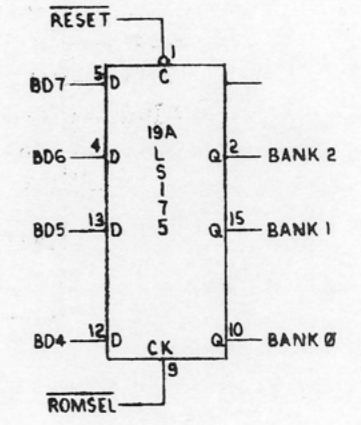
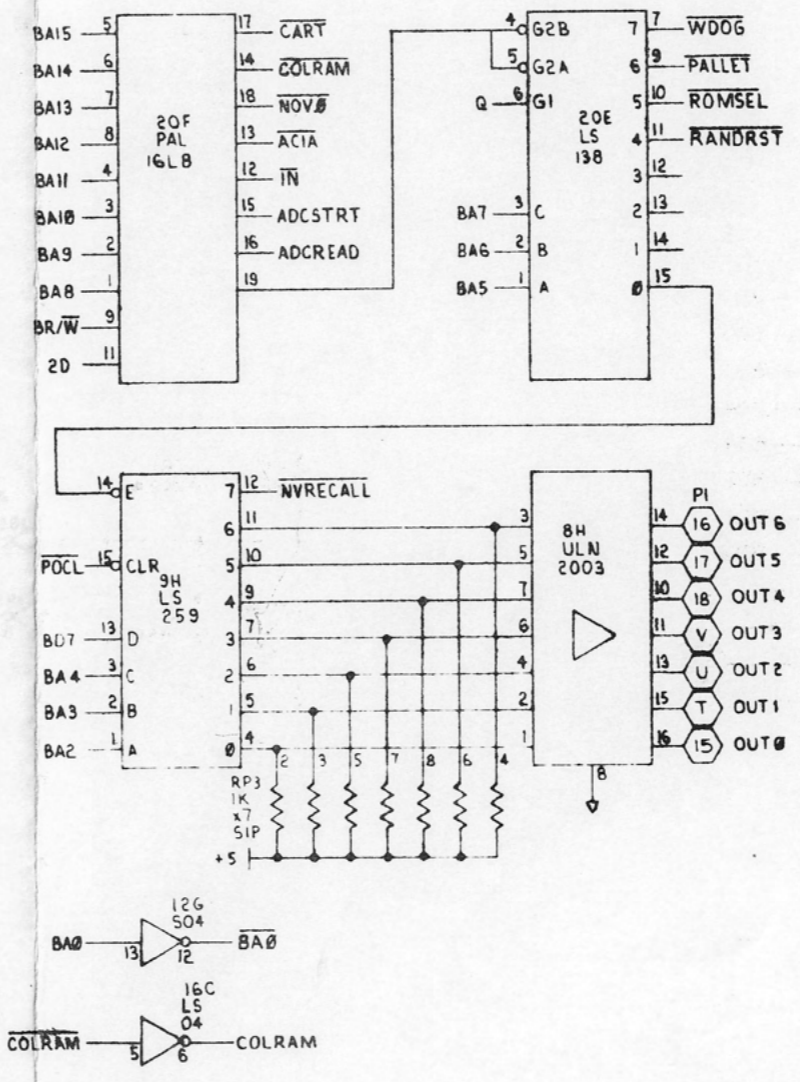
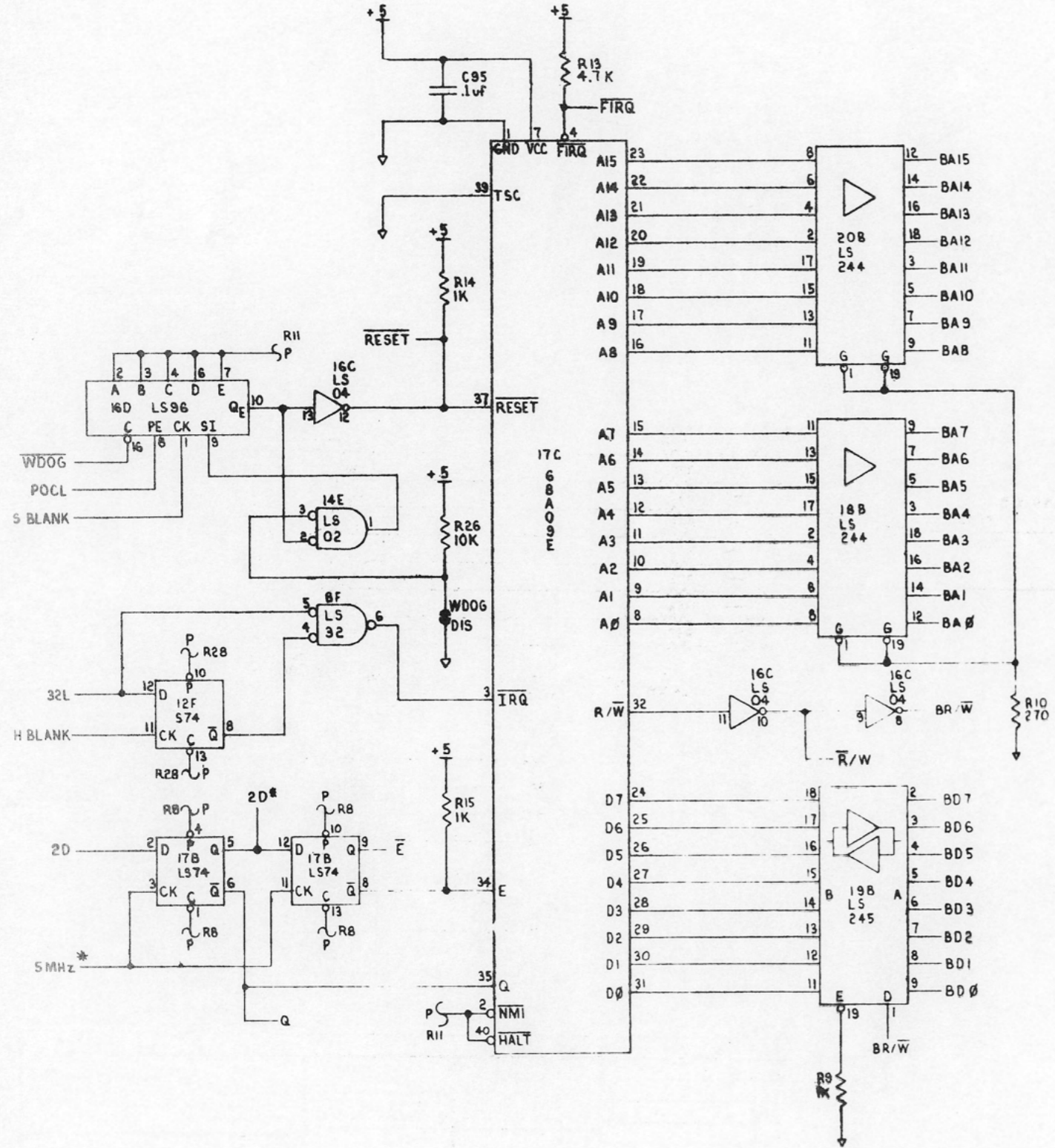


M051-OOC52-C014

ITEM		DESCRIPTION MATERIAL		QTY
DASH NO	NEXT ASSY NO	UNLESS OTHERWISE SPECIFIED DIMENSIONS ARE IN INCHES TOLERANCES ON ANGLES = ± 1°		DO NOT SCALE DRAWING
USED ON		SURFACE FINISH	X = ± .1 XX = ± .03 XXX = ± .01	DRAWN BY DATE G. CAINAP 7/11/83
MATERIAL		CHECKED	Pizza Time Theatre Inc. 1213 Innsbruck Dr. Sunnyvale, CA 94086 © 1978 Pizza Time Theatre Inc.	
FINISH		ENGINEER	TITLE PCB SCHEMATIC, CPU, SAC-I	
		MFG. ENGINEER	SIZE	DRAWING NO D 008-8001-01-0C
		PROD. ENGINEER	REV.	CI

NOTICE TO ALL PERSONS RECEIVING THIS DRAWING CONFIDENTIAL. Reproduction Forbidden without the specific written permission of Pizza Time Theatre Inc. of Sunnyvale, California. This drawing is not conditionally issued and neither the permission thereof confers or transfers any right in, or license to use the subject matter of the drawing or any design or technical information shown thereon, nor any right to reproduce this drawing or any part thereof, except for manufacture by vendors for Pizza Time Theatre Inc. and for manufacture under the corporation's written license. No right to reproduce this drawing is granted in the subject matter thereof unless in written agreement with or written permission from the corporation.

SYM	REV	ECO NO.	REVISIONS DESCRIPTION	DATE	APPROVED

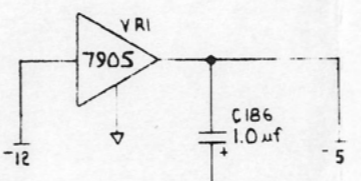
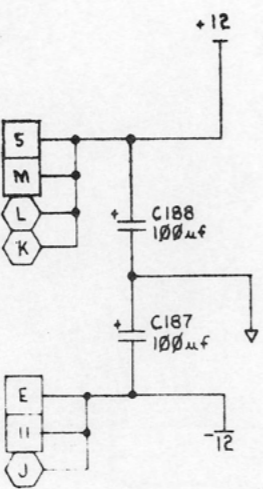
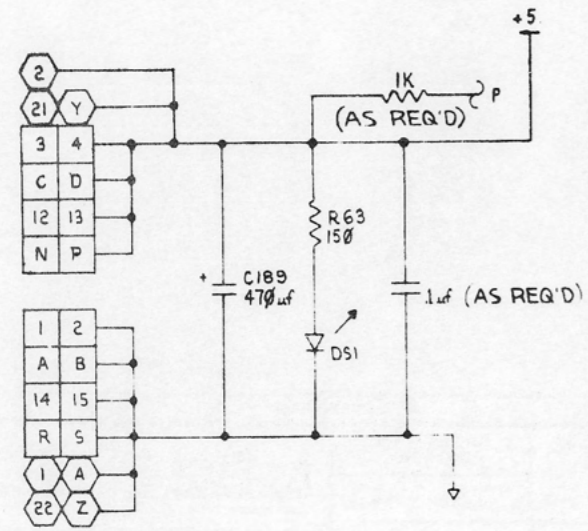
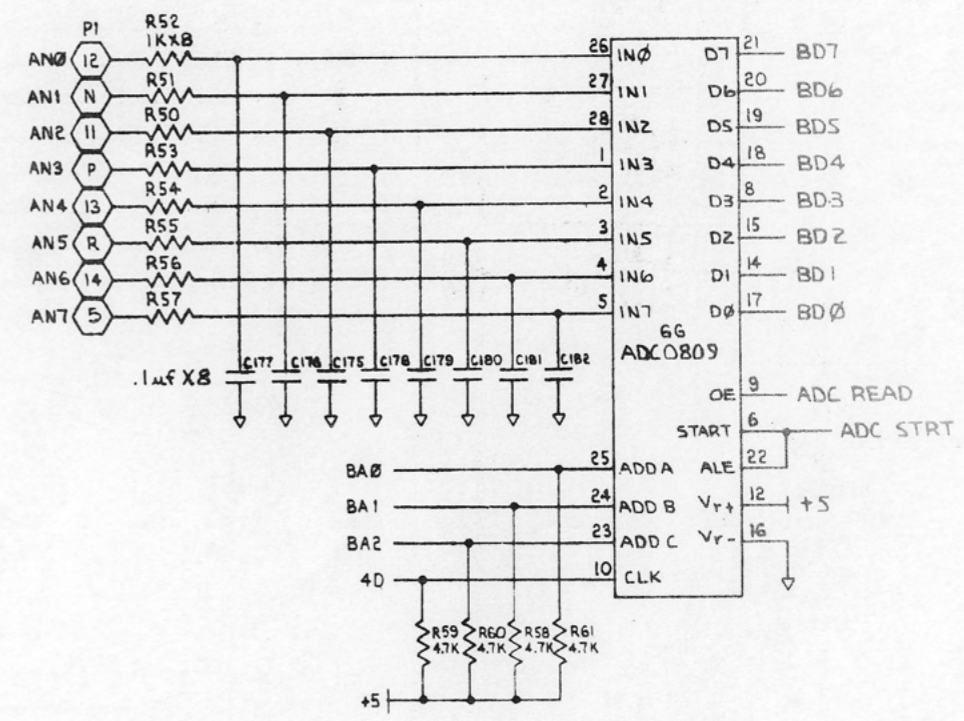
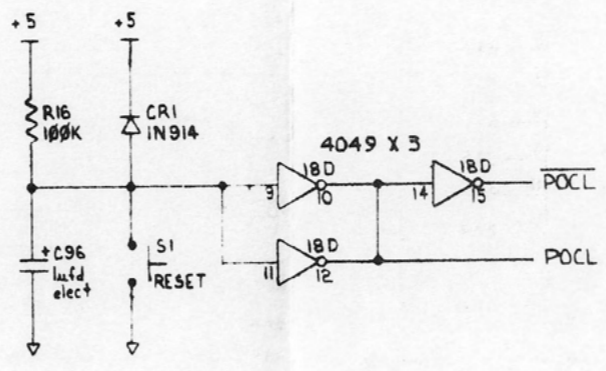
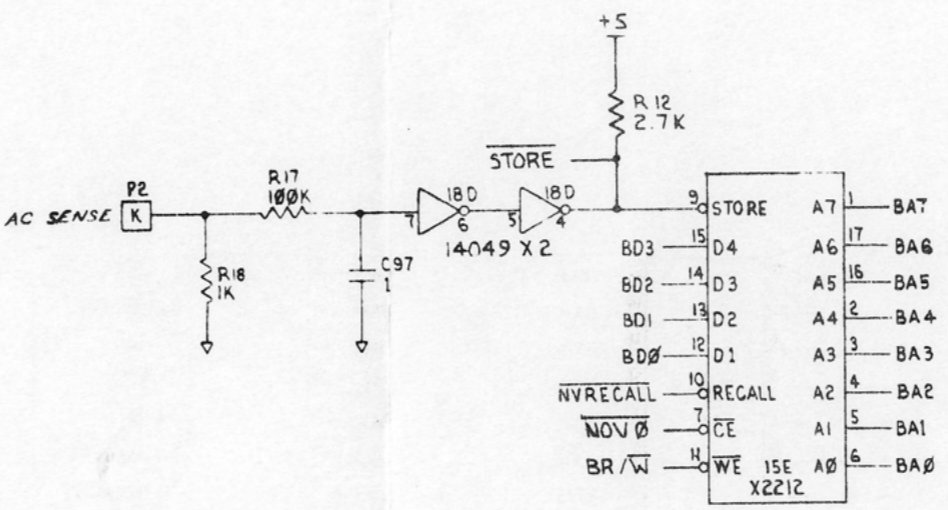
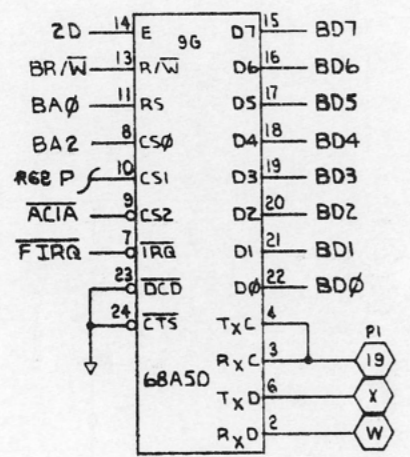
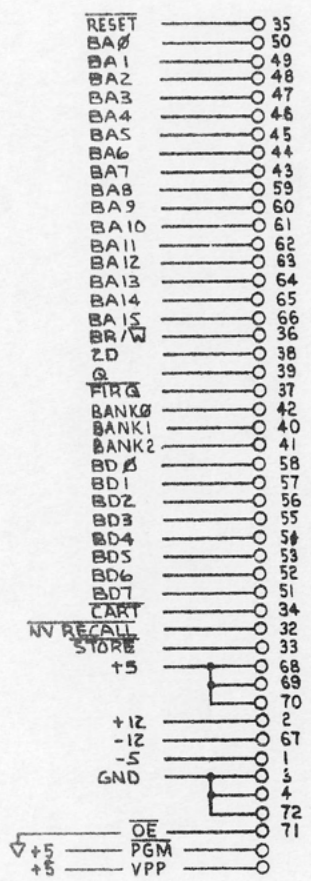


M051-00C52-C014

ITEM		DESCRIPTION/MATERIAL		QTY
UNLESS OTHERWISE SPECIFIED DIMENSIONS ARE IN INCHES. TOLERANCES ON ANGLES = ± 1°		DO NOT SCALE DRAWING		
DASH NO.	NEXT ASSY NO.	SURFACE FINISH	DRAWN BY	DATE
		XXX - 01	G. CAINAP	7/29/83
USED ON		CHECKED		
MATERIAL		ENGINEER		
FINISH		MFG ENGINEER		
		PROJECT ENGINEER		
TITLE		DRAWING NO.		REV
PCB SCHEMATIC, CPU, SAC-I		008-8001-01-0C		C1
SCALE	NONE	SHEET	2	OF 10

NOTICE TO ALL PERSONS RECEIVING THIS DRAWING: UNLESS OTHERWISE SPECIFIED DIMENSIONS ARE IN INCHES. TOLERANCES ON ANGLES = ± 1°. UNLESS OTHERWISE SPECIFIED DIMENSIONS ARE IN INCHES. TOLERANCES ON ANGLES = ± 1°.

SYM	REV	ECO NO	REVISIONS DESCRIPTION	DATE	APPROVED



M051-00C52-C014

ITEM	DESCRIPTION/MATERIAL	QTY

UNLESS OTHERWISE SPECIFIED DIMENSIONS ARE IN INCHES TOLERANCES IN INCHES ANGLES °

DRAWN BY: G. CAINAP DATE: 7-29-83

ENGINEER: G. CAINAP 11-27-83

MPL ENGINEER

PROJ. ENGINEER

Pizza Time Theatre Inc.  
 1213 Innsbruck Dr.  
 Sunnyvale, CA 94096

TITLE: PCB SCHEMATIC, CPU, SAC-I

SIZE: D DRAWING NO: 008-8001-01-00 REV: C1

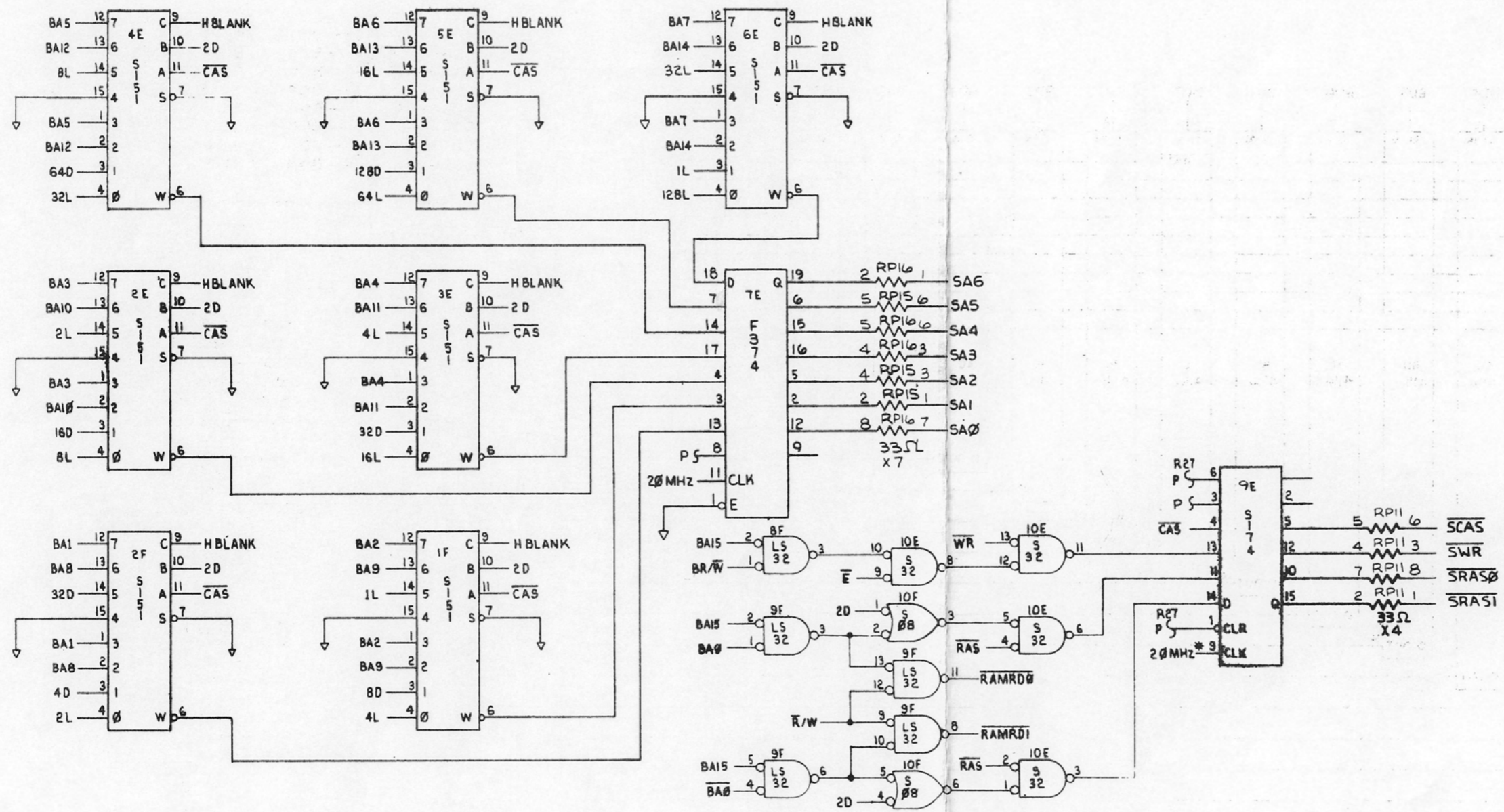
SCALE: NONE SHEET: 3 OF 10

VEHICLE NOTE: TO AVOID PART REJECTION ALL PARTS MUST BE MARKED WITH PART NUMBER EXCEPT WHERE SIZE OR QUANTITY WARRANTIES ARE AND TAG IS UNDESIRABLE CONTACT BUYER PRIOR TO SHIPMENT

NOTE 1: ALL PERMITS BEARING THIS DRAWING IS CONFIDENTIAL. Reproduction is forbidden without the specific written permission of Pizza Time Theatre Inc. No warranty is made. This drawing is subject to change without notice. The user of this drawing is advised to verify all dimensions and tolerances of the drawing or any design or fabrication information shown thereon. No one is permitted to reproduce or distribute this drawing or any part thereof, except for manufacture for Pizza Time Theatre Inc. and for manufacture under the corporation's written permission. No one is permitted to reproduce or distribute this drawing or any part thereof, except for manufacture for Pizza Time Theatre Inc. and for manufacture under the corporation's written permission. No one is permitted to reproduce or distribute this drawing or any part thereof, except for manufacture for Pizza Time Theatre Inc. and for manufacture under the corporation's written permission.



SYM	REV	ECO NO.	REVISIONS DESCRIPTION	DATE	APPROVED



M051-00C52-C014

ITEM	DESCRIPTION/MATERIAL	QTY

UNLESS OTHERWISE SPECIFIED DIMENSIONS ARE IN INCHES TOLERANCES IN ANGLES = ± 1°		<b>DO NOT SCALE DRAWING</b>
DASH NO. NEXT ASSY NO.	SURFACE FINISH X .01 XX .05 XXX .010	DRAWN BY DATE G. CAINAP 7-29-83
USED ON	MATERIAL	ENG. DESIGNED MFG. ENGINEER
	FINISH	PROF. ENGINEER

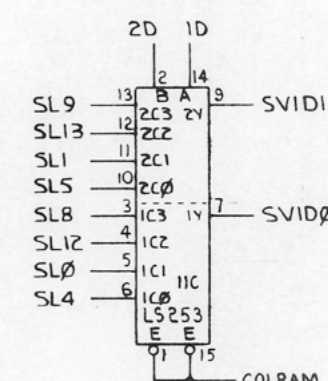
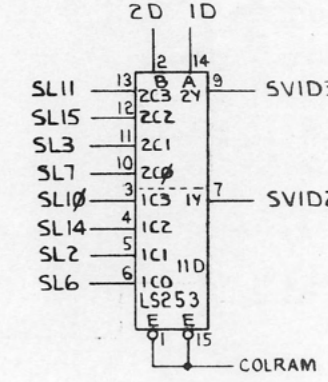
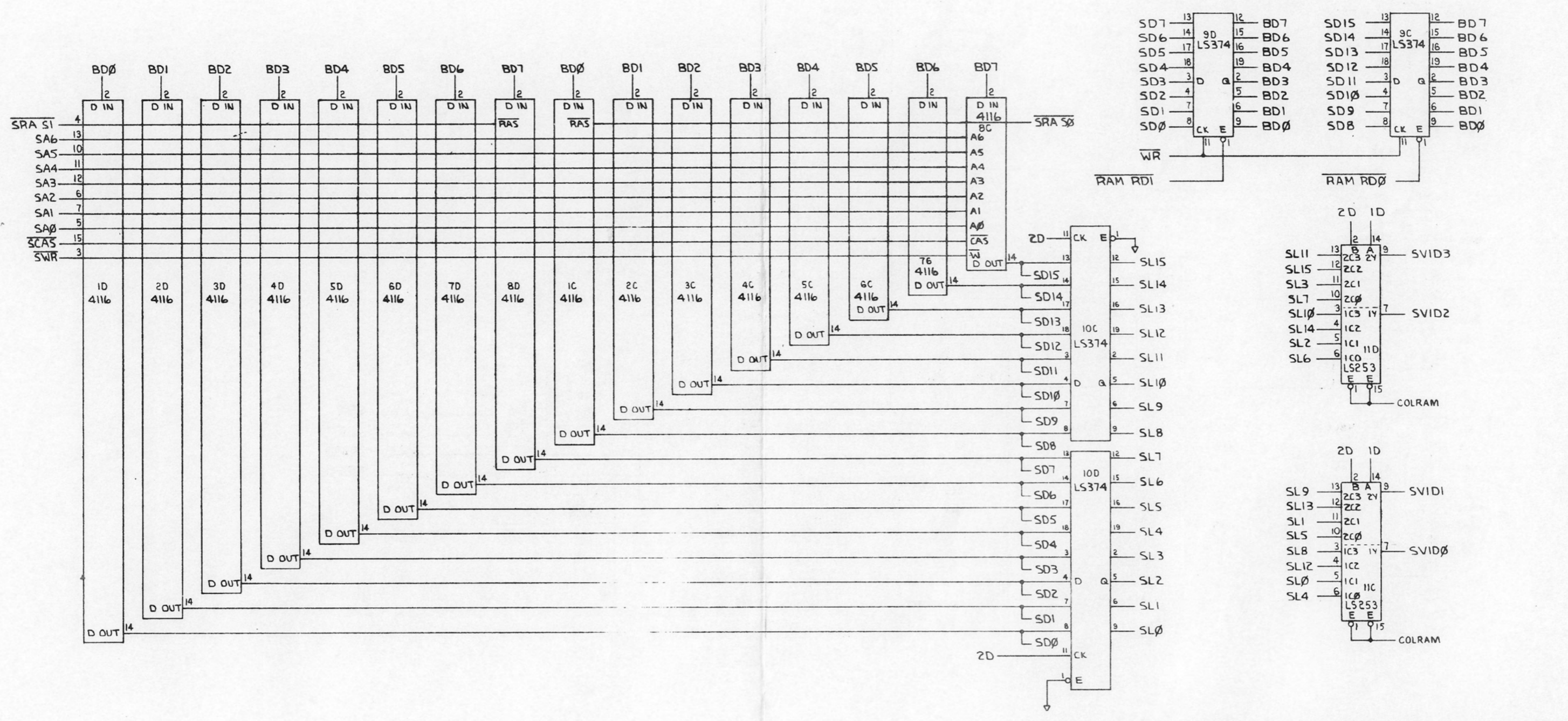
Vendor Note: TO AVOID PART REJECTION ALL PARTS MUST BE MARKED WITH P.T.T. PART NUMBER EXCEPT WHERE SIZE OR QUANTITY WARRANTS BAG AND TAG. IF UNCERTAIN CONTACT BUYER PRIOR TO SHIPMENT.

NOTICE TO ALL PERSONS RECEIVING THIS DRAWING: CONFIDENTIAL. Reproduction Forbidden without the specific written permission of Pizza Time Theatre Inc., Sunnyvale, California. This drawing is only conditionally issued and neither receipt nor possession thereof confers or transfers any right in or license to use the subject matter of the drawing or any design or technical information shown thereon. No right to reproduce this drawing or any part thereof, except for manufacture by vendor for Pizza Time Theatre Inc. and for manufacture under the corporation's written license, no right to reproduce this drawing is granted or the subject matter thereof unless by written agreement with or written permission from the corporation.

Pizza Time Theatre Inc.  
1213 Innsbruck Dr.  
Sunnyvale, CA 94086  
© 1978 Pizza Time Theatre Inc.

TITLE	PCB SCHEMATIC, CPU, SAC-I	REV	CI
SIZE	D	DRAWING NO.	008-8001-01-0C
SCALE	NONE	SHEET	4 OF 10

SYM	REV	ECO NO.	REVISIONS DESCRIPTION	DATE



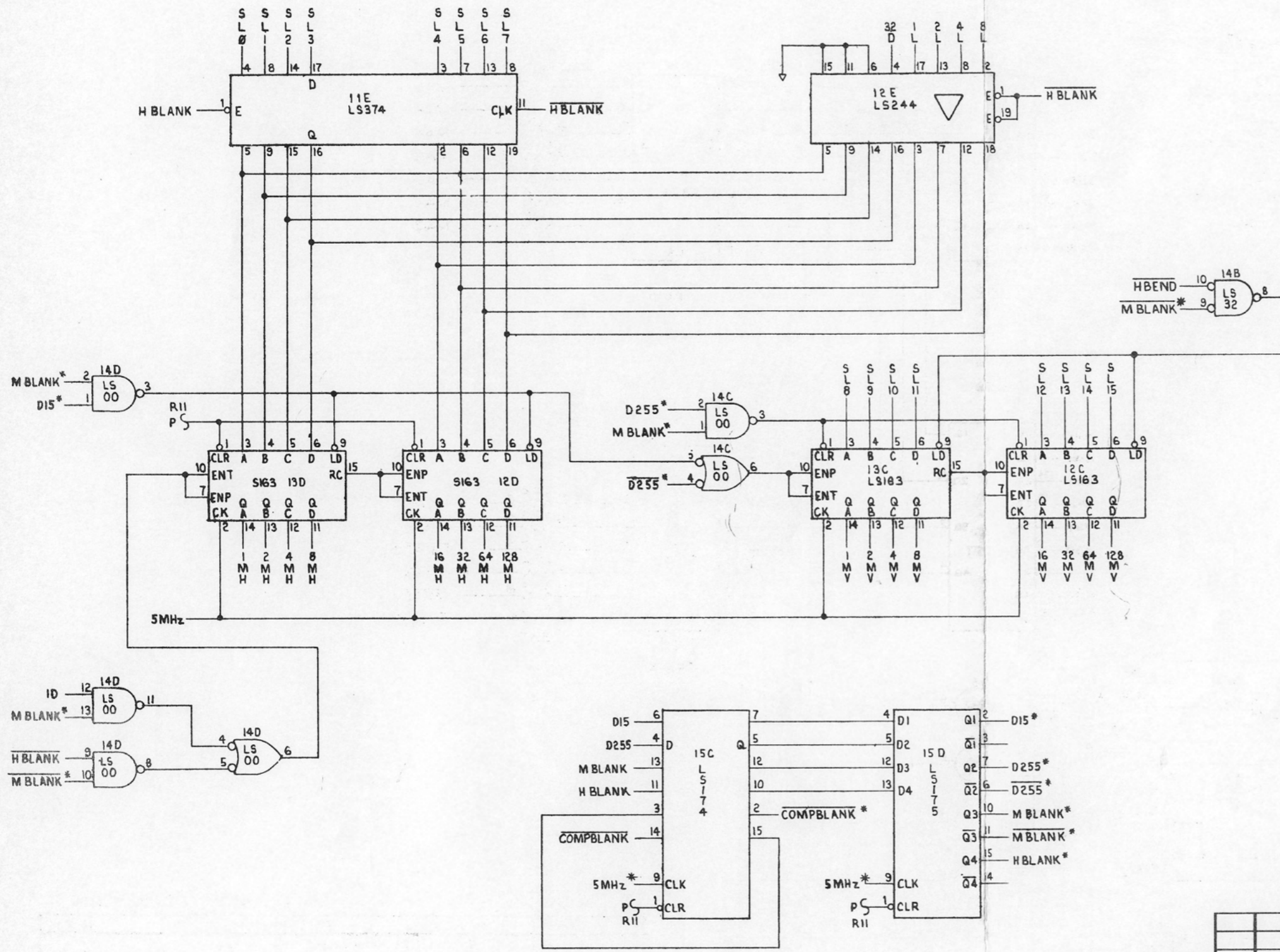
M051-00C52-C014

ITEM		DESCRIPTION/MATERIAL		QTY
DASH NO.		NEXT ASSY NO.		
USED ON				
<p>UNLESS OTHERWISE SPECIFIED: DIMENSIONS ARE IN INCHES TOLERANCES ON ANGLES - ° ±'</p>				
MATERIAL		DO NOT SCALE DRAWING		
FINISH		DRAWN BY: G. CAINAP		DATE: 7-29-83
		CHECKED:		
		ENGINEER:		
		MPL. ENGINEER:		
		PROJECT ENGINEER:		
TITLE: PCB SCHEMATIC, CPU SAC-I				REV: C1
SIZE: D		DRAWING NO.: 008-8001-01-00		SHEET: 5 OF 10

**VENDOR NOTE TO AVOID PART REJECTION ALL PARTS MUST BE MARKED WITH P.T.T. PART NUMBER EXCEPT WHERE SIZE OR QUANTITY WARRANTS BAG AND TAG IF UNCERTAIN CONTACT BUYER PRIOR TO SHIPMENT**

**NOTICE TO ALL PERSONS RECEIVING THIS DRAWING CONFIDENTIAL. Reproduction, Forbidden, without the specific written permission of Pizza Time Theatre Inc. of Sunnyvale California. This drawing is only conditionally issued, and neither receipt nor possession thereof confers or transfers any right in, or license to use, the subject matter of the drawing or any design or technical information shown therein; nor any right to reproduce this drawing or any part thereof, except for manufacture by vendors for Pizza Time Theatre, Inc. and for manufacture under the cooperation-writer's license or right to reproduce this drawing is granted to the subject matter thereof unless by written agreement with or written permission from the copyright owner.**

SYM	REV	ECO NO.	REVISIONS DESCRIPTION	DATE	APPROVED



M051-00C52-C014

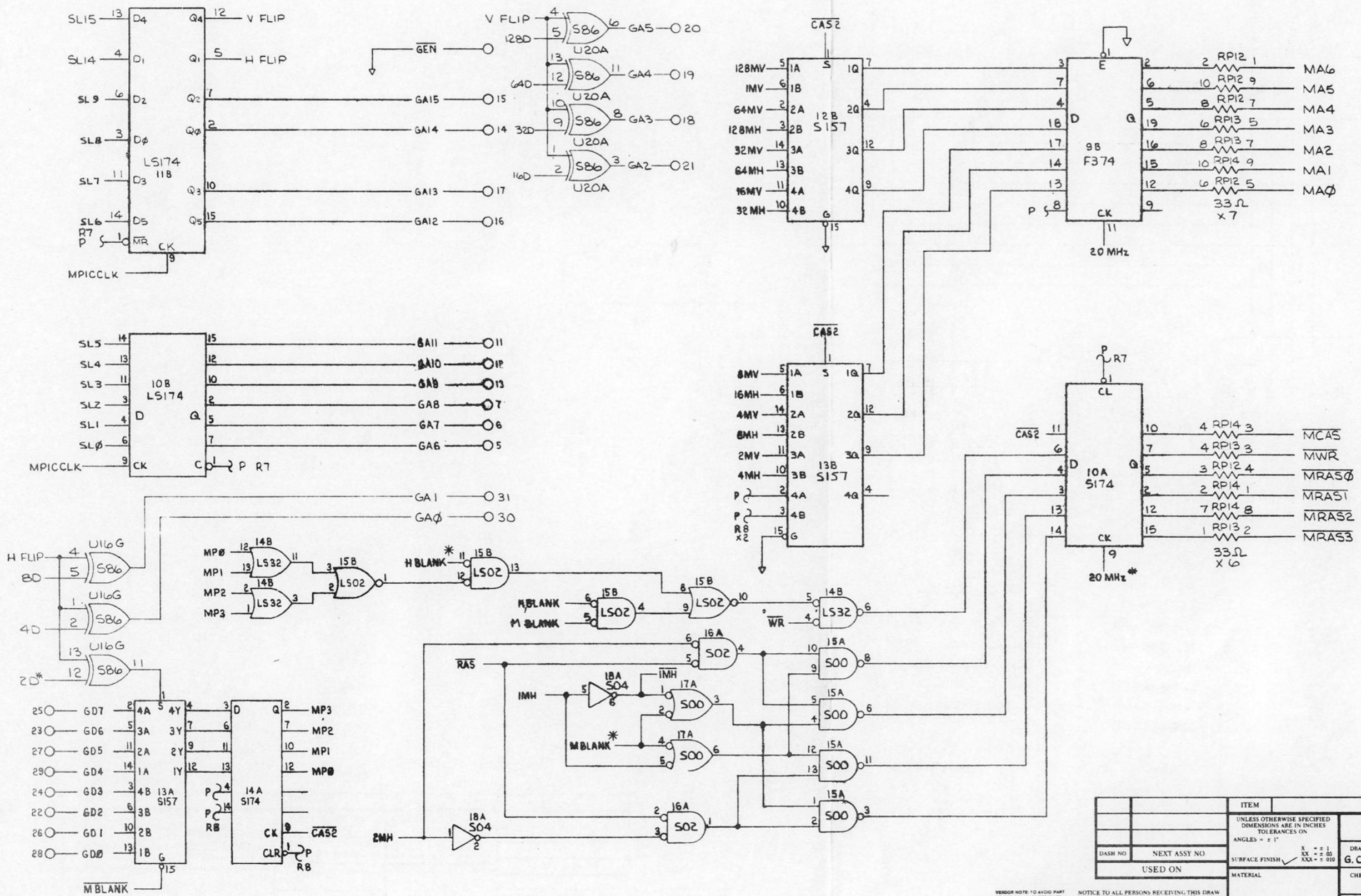
ITEM		DESCRIPTION/MATERIAL		QTY
UNLESS OTHERWISE SPECIFIED DIMENSIONS ARE IN INCHES TOLERANCES ON ANGLES = ± 1°		<b>DO NOT SCALE DRAWING</b>		
DASH NO	NEXT ASSY NO	SURFACE FINISH	DRAWN BY	DATE
		X = ± 1 XX = ± 0.01 XXX = ± 0.001	G. CAINAP	7-29-83
USED ON		CHECKED	ENGINEER	
			MFG. ENGINEER	
			PROJECT ENGINEER	
		TITLE		REV
		PCB SCHEMATIC, CPU, SAC-I		CI
SIZE	DRAWING NO	SCALE		SHEET
D	008-8001-01-0C	NONE		6 OF 10

**Chuck & Cheese's**  
Pizza Time Theatre Inc.  
1213 Innsbruck Dr.  
Sunnyvale, CA 94086  
© 1978 Pizza Time Theatre Inc.

VENDOR NOTE TO AVOID PART REJECTION ALL PARTS MUST BE MARKED WITH P.T.T. PART NUMBER EXCEPT WHERE SIZE OR QUANTITY WARRANTS BAG AND TAG. IF UNCERTAIN CONTACT BUYER PRIOR TO SHIPMENT

NOTICE TO ALL PERSONS RECEIVING THIS DRAWING CONFIDENTIAL. Reproduction Forbidden without the specific written permission of Pizza Time Theatre Inc. of Sunnyvale, California. This drawing is only conditionally issued, and neither receipt nor possession thereof confers or transfers any right in, or license to use, the subject matter of the drawing or any design or technical information shown thereon, nor any right to reproduce this drawing or any part thereof, except for manufacture by vendors for Pizza Time Theatre Inc. and for manufacture under the corporation's written license. No right to reproduce this drawing is granted or the subject matter thereof unless by written agreement with or written permission from the corporation.

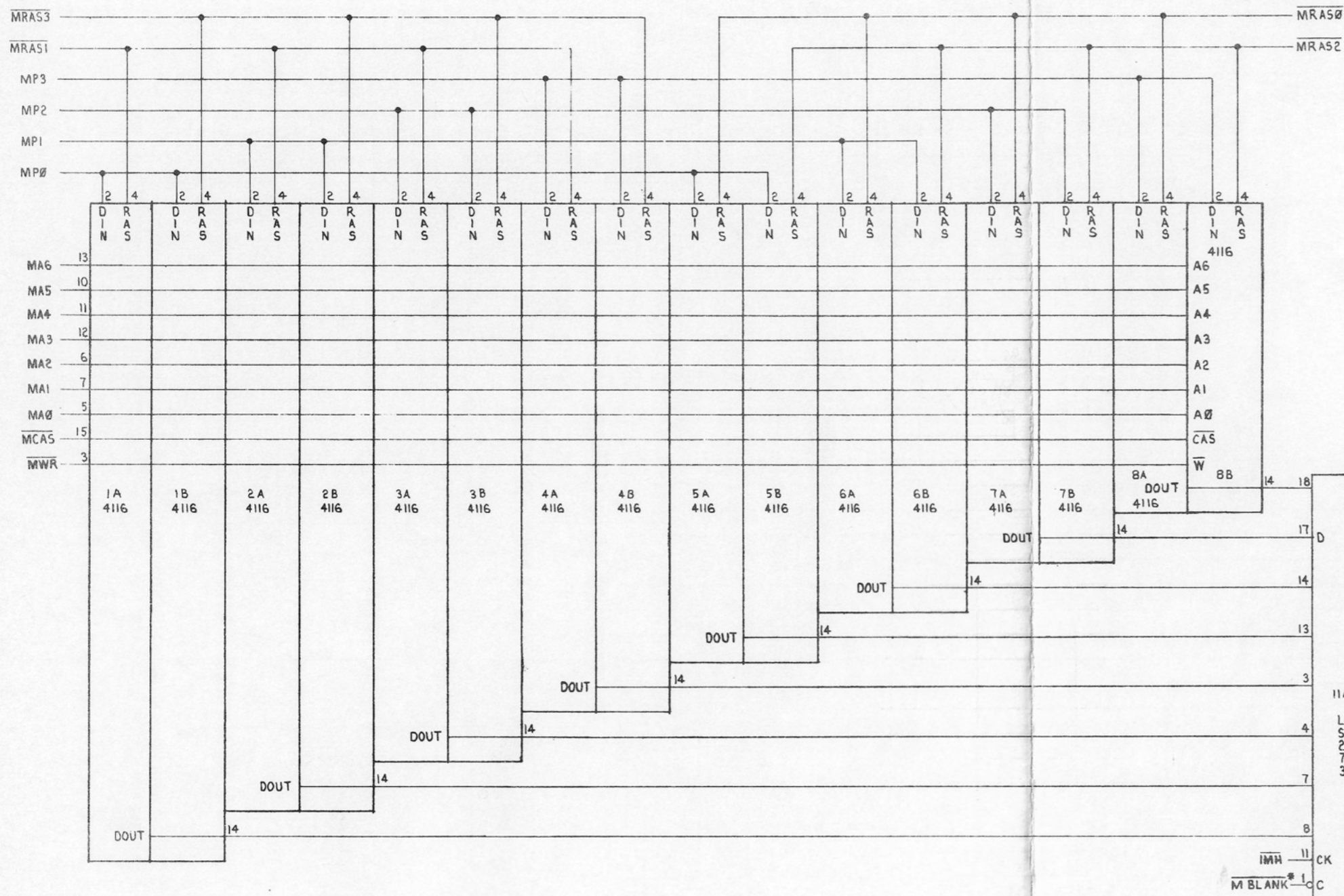
SYM	REV	ECO NO.	REVISIONS DESCRIPTION	DATE	APPROVED



M051-00C52-C014

ITEM		DESCRIPTION/MATERIAL		QTY
UNLESS OTHERWISE SPECIFIED DIMENSIONS ARE IN INCHES TOLERANCES ON ANGLES = ± 1°		<b>DO NOT SCALE DRAWING</b>		<p>Pizza Time Theatre Inc. 1213 Innsbruck Dr. Sunnyvale, CA 94086</p> <p>© 1978 Pizza Time Theatre Inc.</p>
DASH NO.	NEXT ASSY NO.	SURFACE FINISH	DATE	
USED ON		CHECKED	DATE	
MATERIAL		ENGINEER		
FINISH		MFG. ENGINEER	PROJECT ENGINEER	
TITLE		PCB SCHEMATIC, CPU, SAC-I		
SIZE		DRAWING NO.	REV	
SCALE		NONE	CI	
SHEET		7	OF 10	

SYM	REV	ECO NO	REVISIONS DESCRIPTION	DATE	APPROVED



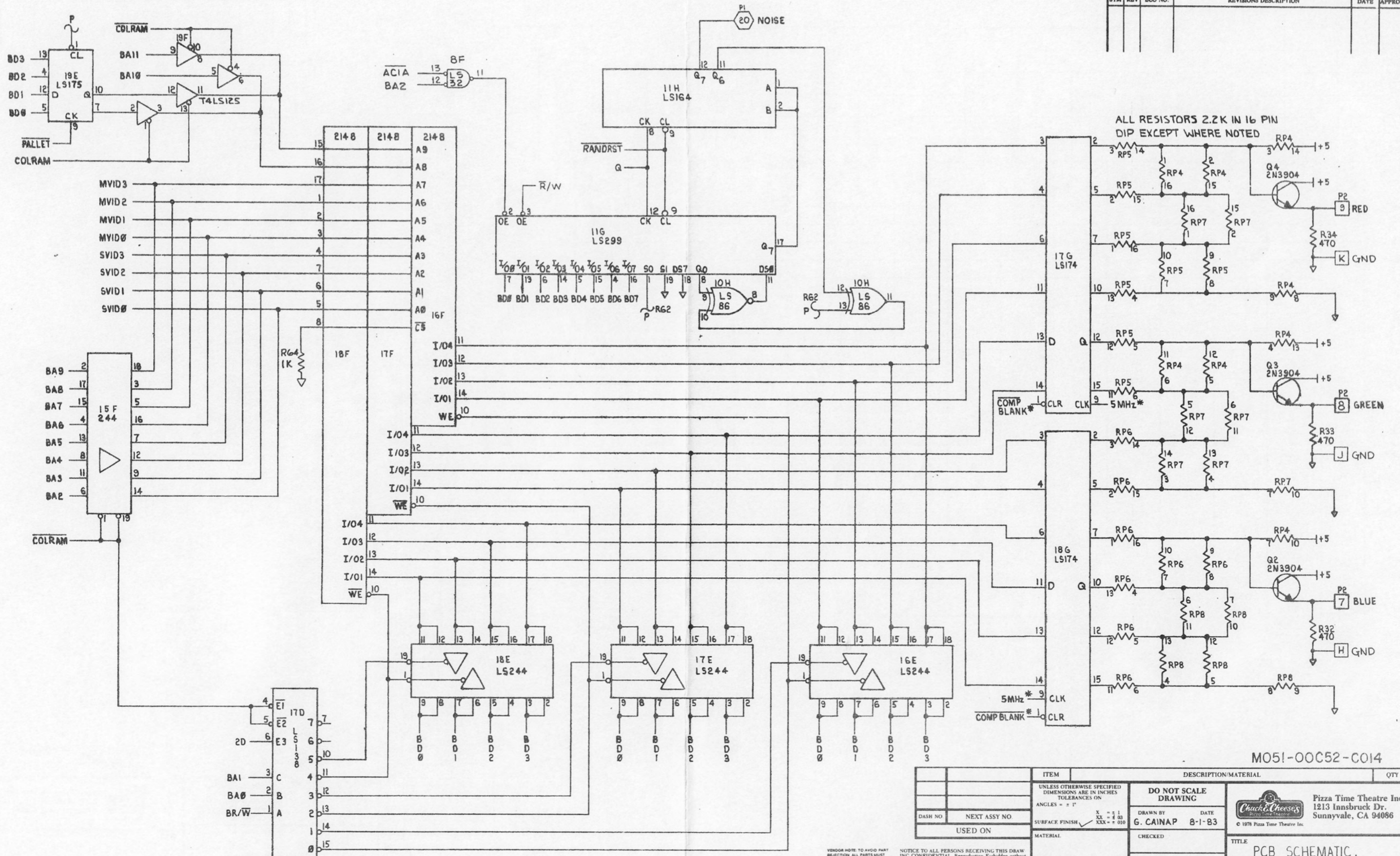
IMH 11 CK  
M BLANK 1 C  
IMH 1 S  
COLRAM

M051-00652-C014

ITEM		DESCRIPTION/MATERIAL	
UNLESS OTHERWISE SPECIFIED DIMENSIONS ARE IN INCHES TOLERANCES ON ANGLES = ± 1°		<b>DO NOT SCALE DRAWING</b>	
DASH NO.	NEXT ASSY NO.	DRAWN BY	DATE
		G. CAINAP	8-1-83
USED ON		CHECKED	
MATERIAL		ENGINEER	
FINISH		MFG ENGINEER	
		PROJECT ENGINEER	
		TITLE	
		PCB SCHEMATIC, CPU, SAC-I	
SIZE	DRAWING NO.	REV	
D	008-8001-01-0C	CI	
SCALE	NONE	SHEET	8 OF 10

VENDOR NOTE TO AVOID PART REJECTION: ALL PARTS MUST BE MARKED WITH PART NUMBER EXCEPT WHERE SIZE OR QUANTITY WARRANTS TAG AND TAG IF UNCERTAIN CONTACT BUYER PRIOR TO SHIPMENT

NOTICE TO ALL PERSONS RECEIVING THIS DRAWING: CONFIDENTIAL. Reproduction Forbidden without the specific written permission of Pizza Time Theatre Inc. of Sunnyvale, California. This drawing is only conditionally issued, and neither receipt nor possession thereof confers or transfers any right in, or license to use, the subject matter of the drawing or any design or technical information shown thereon, nor any right to reproduce this drawing or any part thereof, except for manufacture by vendors for Pizza Time Theatre Inc. and for manufacture under the corporation's written license, no right to reproduce this drawing is granted or the subject matter thereof unless by written agreement with or written permission from the corporation.



SYM	REV	ECO NO.	REVISIONS DESCRIPTION	DATE	APPROVED

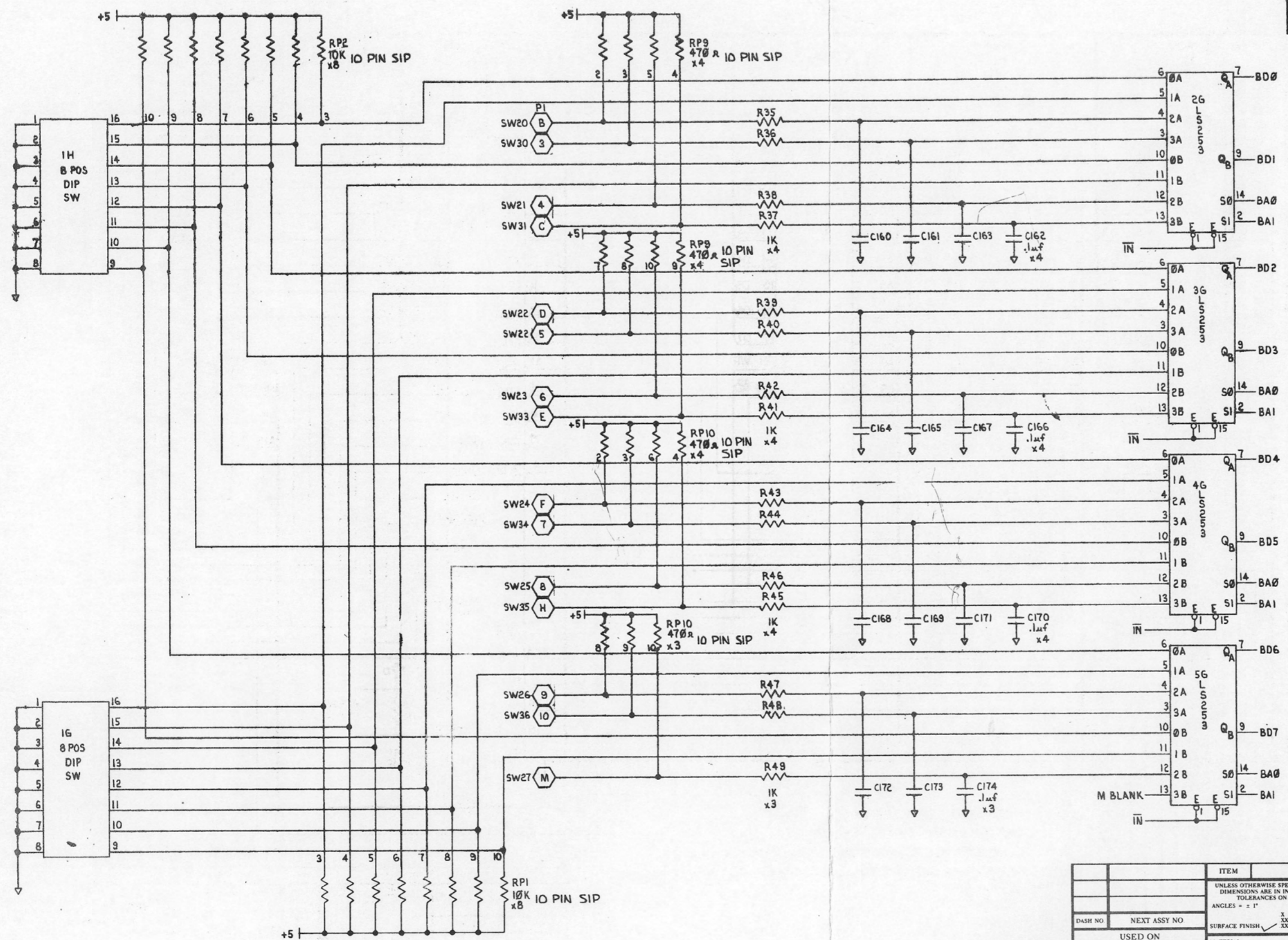
M051-00C52-C014

ITEM		DESCRIPTION/MATERIAL		QTY
UNLESS OTHERWISE SPECIFIED DIMENSIONS ARE IN INCHES TOLERANCES ON ANGLES = ± 1°		<b>DO NOT SCALE DRAWING</b>		Pizza Time Theatre Inc. 1213 Innsbruck Dr. Sunnyvale, CA 94086 © 1978 Pizza Time Theatre Inc.
DASH NO.	NEXT ASSY NO.	SURFACE FINISH	DRAWN BY: G. CAINAP DATE: 8-1-83 CHECKED: [Signature] ENGINEER: [Signature] MFG ENGINEER: [Signature] PROJECT ENGINEER: [Signature]	
USED ON		MATERIAL		TITLE: PCB SCHEMATIC, CPU, SAC-I SIZE: D DRAWING NO: 008-8001-01-0C SCALE: NONE SHEET: 9 OF 10
FINISH		FINISH		REV: C1

VENDOR NOTE TO AVOID PART REJECTION: ALL PARTS MUST BE MARKED WITH P T T PART NUMBER EXCEPT WHERE SIZE OR QUANTITY WARRANTS BAG AND TAG IF UNCERTAIN CONTACT BUYER PRIOR TO SHIPMENT

NOTICE TO ALL PERSONS RECEIVING THIS DRAWING: CONFIDENTIAL. Reproduction forbidden without the specific written permission of Pizza Time Theatre Inc. of Sunnyvale, California. This drawing is only conditionally issued, and neither conveys nor purports to convey or transfers any right in, or license to use, the subject matter of the drawing or any design or technical information shown thereon, nor any right to reproduce this drawing or any part thereof, except for manufacture by vendors for Pizza Time Theatre Inc. and for manufacture under the corporation's written license. No right to reproduce this drawing is granted or the subject matter thereof unless by written agreement with or written permission from the corporation.

SYM	REV	BOC NO.	REVISIONS DESCRIPTION	DATE	APPROVED

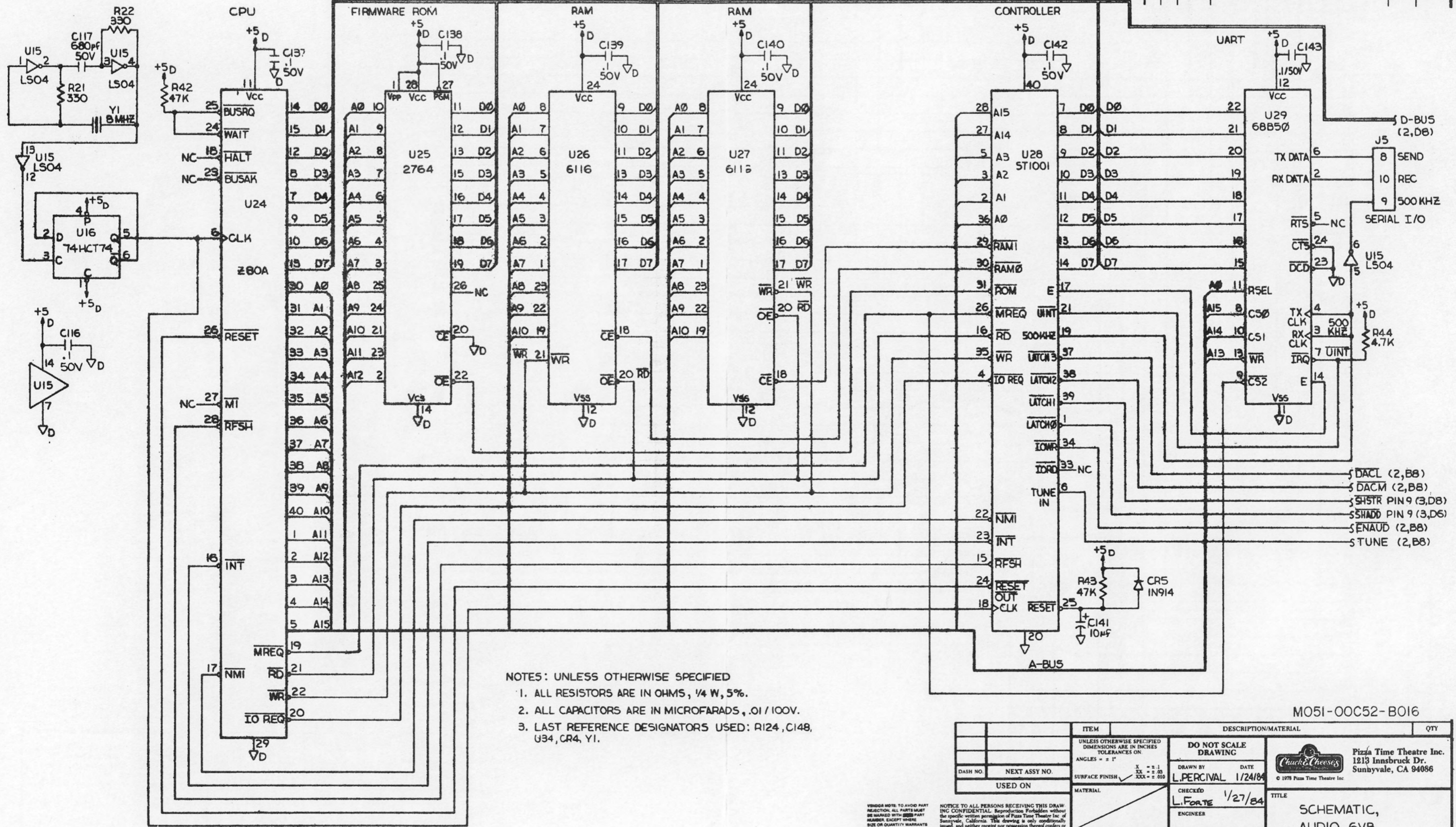


M051-00C52-C014

ITEM		DESCRIPTION/MATERIAL		QTY
UNLESS OTHERWISE SPECIFIED DIMENSIONS ARE IN INCHES TOLERANCES ON		<b>DO NOT SCALE DRAWING</b>		
ANGLES = ± 1°		DRAWN BY <b>G. CAINAP</b> DATE <b>8/1/83</b>		
SURFACE FINISH		CHECKED		
MATERIAL		ENGINEER <i>[Signature]</i>		
FINISH		MFG. ENGINEER		
PROJECT ENGINEER		TITLE <b>PCB SCHEMATIC, CPU, SAC-I</b>		
DASH NO. NEXT ASSY NO.		SIZE <b>D</b> DRAWING NO. <b>008-8001-01-0C</b>		REV <b>CI</b>
USED ON		SCALE NONE		SHEET 10 OF 10

NOTICE TO ALL PERSONS RECEIVING THIS DRAWING CONFIDENTIAL. Reproduction Forbidden without the specific written permission of Pizza Time Theatre Inc. Sunnyvale, California. This drawing is only conditionally issued, and neither receipt nor possession thereof confers or transfers any right in, or license to use, the subject matter of the drawing or any design or technical information shown thereon. nor any right to reproduce this drawing or any part thereof, except for manufacture by vendors for Pizza Time Theatre Inc. and for manufacture under the corporation's written license; no right to reproduce this drawing is granted or the subject matter thereof unless by written agreement with or written permission from the corporation.

SYM	REV	ECO NO.	REVISIONS DESCRIPTION	DATE	APPROVED
B			PCB REDESIGNED FOR ST1001 CHIP		
B1	1988		ADDED C149	1/1/88	



- NOTES: UNLESS OTHERWISE SPECIFIED
1. ALL RESISTORS ARE IN OHMS, 1/4 W, 5%.
  2. ALL CAPACITORS ARE IN MICROFARADS, .01 / 100V.
  3. LAST REFERENCE DESIGNATORS USED: R124, C148, U34, CR4, Y1.

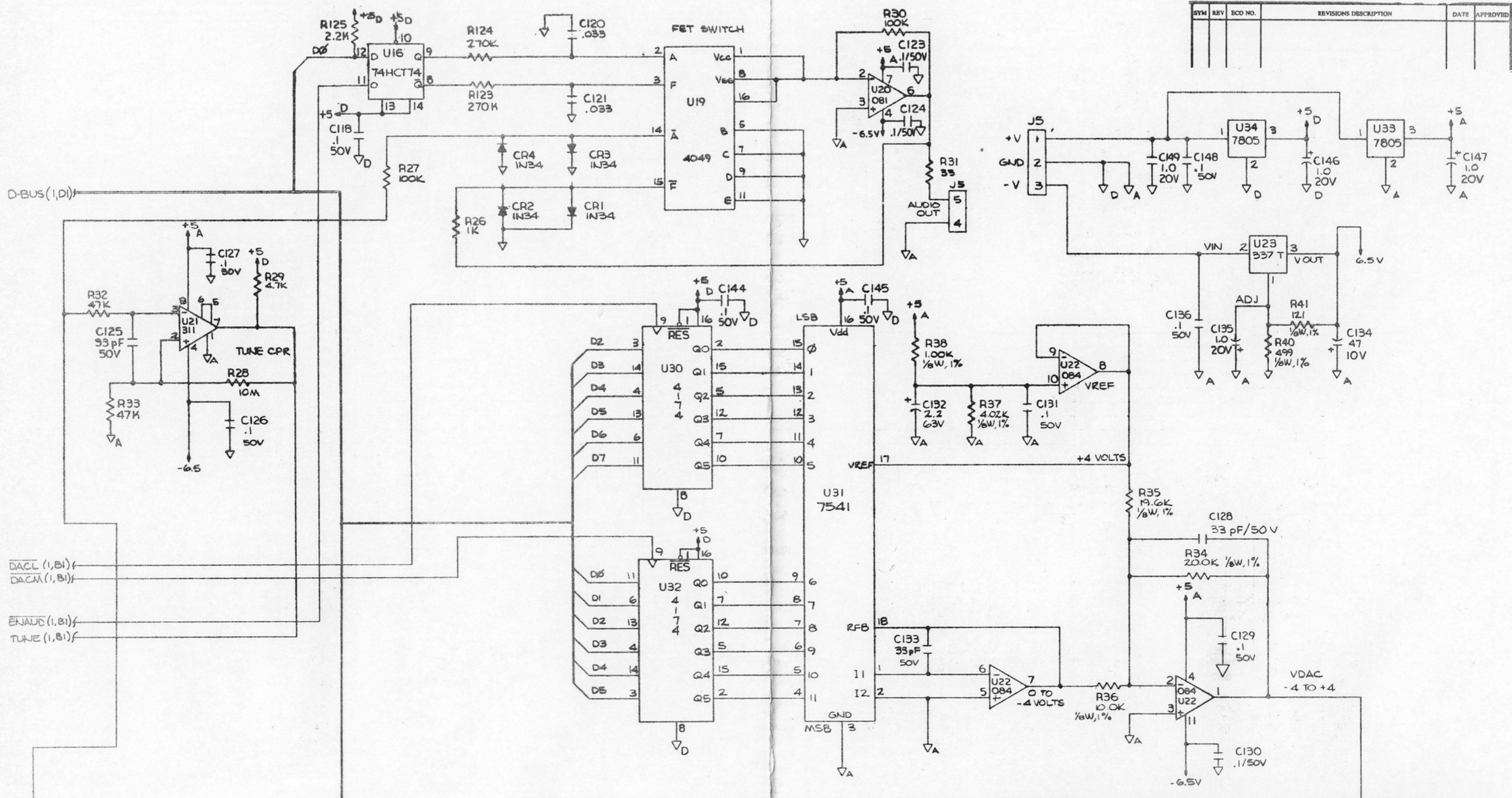
M051-00C52-B016

ITEM		DESCRIPTION/MATERIAL		QTY
UNLESS OTHERWISE SPECIFIED DIMENSIONS ARE IN INCHES TOLERANCES ON ANGLES = ± 1°		<b>DO NOT SCALE DRAWING</b>		
DASH NO.	NEXT ASSY NO.	DRAWN BY	DATE	
		L. PERCIVAL	1/24/84	
USED ON	SURFACE FINISH	CHECKED	DATE	
		L. FORTE	1/27/84	
	MATERIAL	ENGINEER		
		MFG ENGINEER		
		PROJECT ENGINEER		
TITLE		Pizza Time Theatre Inc. 1213 Innsbruck Dr. Sunbury, CA 94086		
SCHEMATIC, AUDIO, 6VB		© 1978 Pizza Time Theatre Inc.		
SIZE	DRAWING NO.	REV		
D	008-8002-10-0B	B1		
SCALE	NONE	SHEET 1 OF 3		

NOTICE TO ALL PERSONS RECEIVING THIS DRAWING: CONFIDENTIAL. Reproduction Forbidden without the specific written permission of Pizza Time Theatre Inc. of Sunbury, California. This drawing is only conditionally issued, and neither receipt nor possession thereof confers or transfers any right in, or license to use, the subject matter of the drawing or any design or technical information shown thereon, nor any right to reproduce this drawing or any part thereof, except by manufacture by vendors for Pizza Time Theatre Inc. and for manufacturer under the corporation's written license, no right to reproduce this drawing is granted or the subject matter thereof unless by written agreement with or written permission from the corporation.



SYM	REV	ECO NO.	REVISIONS DESCRIPTION	DATE	APPROVED



DACL (1,B1)  
 DACM (1,B1)  
 ENAUD (1,B1)  
 TUNE (1,B1)

R39 (S, D8)

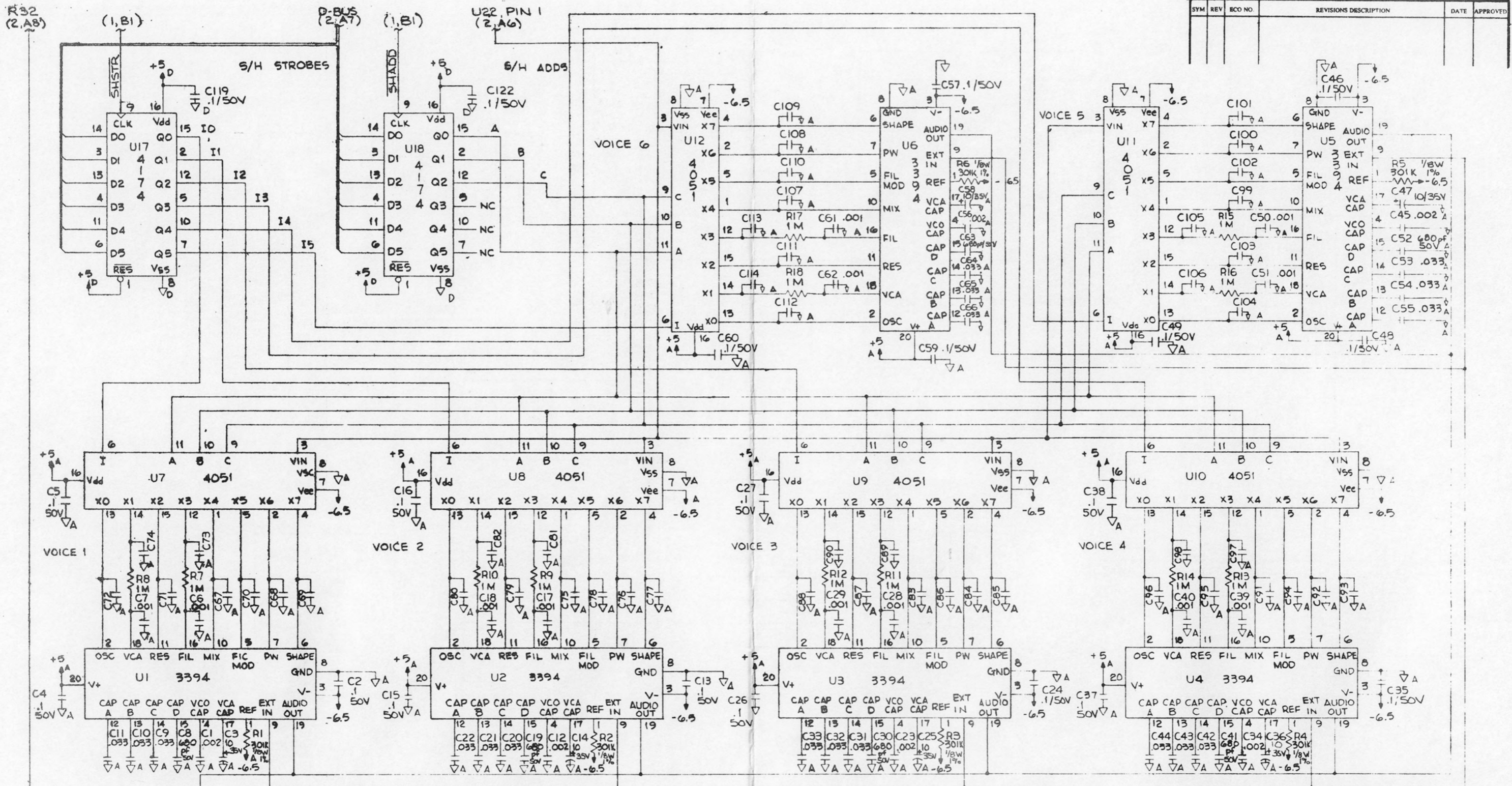
D-BUS (3, D1)

U12 PIN 3 (S, D6)

M051-00C52-B016

ITEM	DESCRIPTION/MATERIAL	QTY
<p>UNLESS OTHERWISE SPECIFIED DIMENSIONS ARE IN INCHES TOLERANCES ON ANGLES = ± 1°</p> <p>DO NOT SCALE DRAWING</p> <p>DRAWN BY: K. Kordes DATE: 12/84</p> <p>CHECKED: _____</p> <p>ENGINEER: _____</p> <p>MFG ENGINEER: _____</p> <p>PROJECT ENGINEER: _____</p>		
<p>PIZZA TIME THEATRE INC. 1213 INNSBRUCK DR. SUNNYVALE, CA 94086</p>		<p>REV B1</p>
<p>TITLE: SCHEMATIC, AUDIO GVB</p>		<p>SCALE: NONE SHEET 2 OF 3</p>

NOTICE TO ALL PERSONS RECEIVING THIS DRAWING: CONFIDENTIAL. Reproduction Forbidden without the specific written permission of Pizza Time Theatre Inc. of Sunnyvale, California. This drawing is only conditionally loaned, and neither receipt nor possession thereof confers or transfers any right to, or license to use, the subject matter of the drawing or any design or technical information shown therein, nor any right to reproduce this drawing or any part thereof, except for manufacture by vendors for Pizza Time Theatre Inc. and for manufacture under the corporation's written license. No right to reproduce this drawing is granted or the subject matter thereof unless by written agreement with or written permission from the corporation.



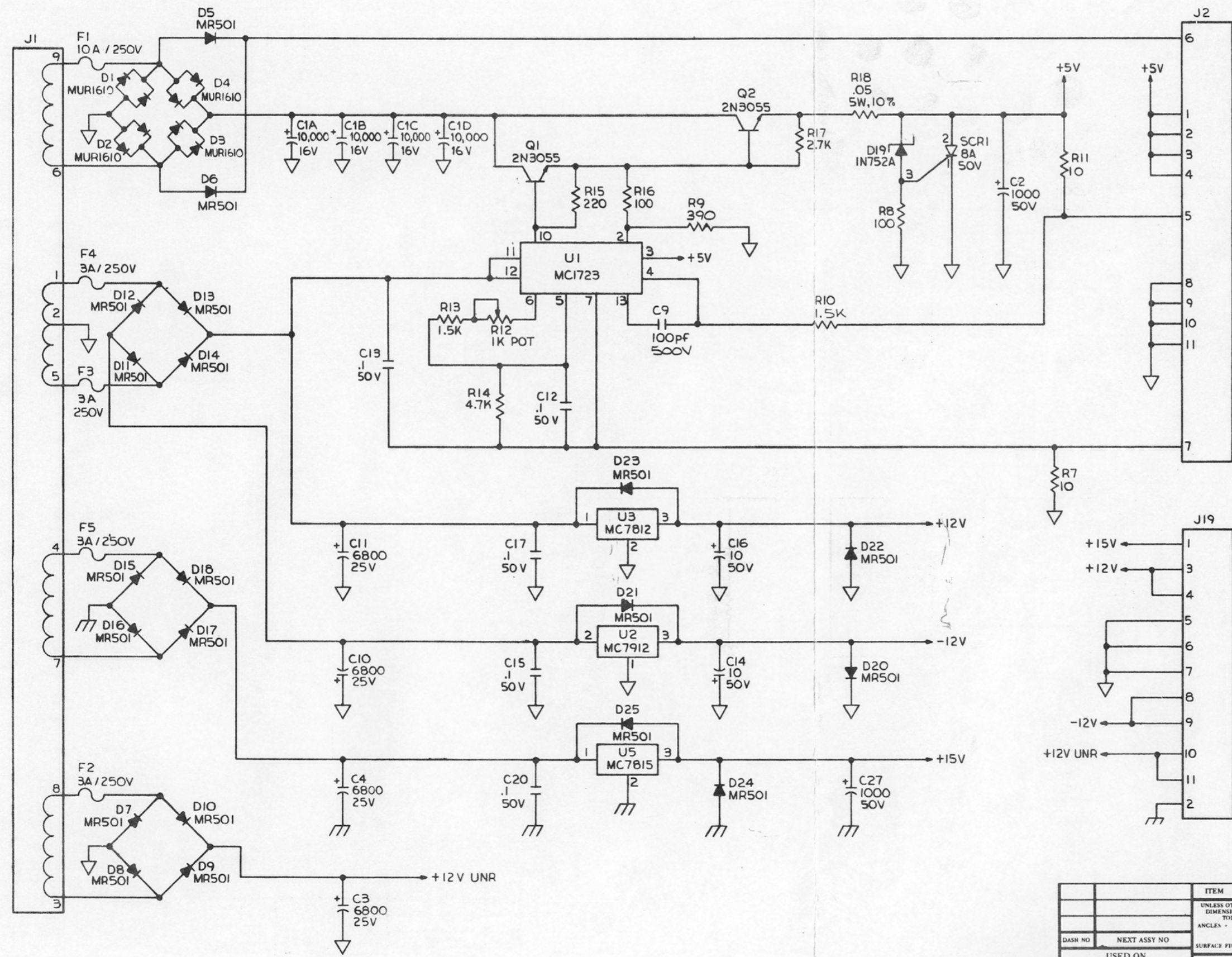
SYM	REV	ECO NO.	REVISIONS DESCRIPTION	DATE	APPROVED

M051-00C52-B016

ITEM	DESCRIPTION/MATERIAL	QTY
	UNLESS OTHERWISE SPECIFIED DIMENSIONS ARE IN INCHES TOLERANCES ON ANGLES - 1°	
	DO NOT SCALE DRAWING	
DASH NO.	NEXT ASSY NO.	
	USED ON	
	CHECKED	
	ENGINEER	
	MPL. ENGINEER	
	PROJECT ENGINEER	
Pizza Time Theatre Inc. 1213 Innsbruck Dr. Sunnyvale, CA 94086		
TITLE		
SCHEMATIC, AUDIO, 6V8		
N/A	DRAWING NO.	REV
D	008-8002-10-03	B1
SCALE	NONE	SHEET 3 OF 3

NOTICE TO ALL PERSONS RECEIVING THIS DRAWING: THIS DRAWING IS CONFIDENTIAL. Reproduction, distribution, or disclosure of this drawing without the written permission of Pizza Time Theatre Inc. is strictly prohibited. This drawing is the property of Pizza Time Theatre Inc. and is loaned to you for your use only. It is not to be used for any other purpose without the written permission of Pizza Time Theatre Inc. If you are unable to contact Pizza Time Theatre Inc. for permission, you may contact the manufacturer of the component shown on this drawing for permission to reproduce this drawing or any part thereof, except for manufacture by vendors for Pizza Time Theatre Inc. and for manufacture under the cooperative written license. No right to reproduce this drawing is granted or the subject matter thereof unless in written agreement with or written permission from the copyright owner.

SYM	REV	ECO NO	REVISIONS DESCRIPTION	DATE	APPROVED
A	1984		PRODUCTION RELEASE		
B	1998		RELEASED REDESIGNED PCB	2/29/98	[Signature]



- NOTES: UNLESS OTHERWISE SPECIFIED
1. ALL RESISTORS ARE IN OHMS, 1/4W, 5%.
  2. ALL CAPACITORS ARE IN MICROFARADS.
  3. LAST REFERENCE DESIGNATORS USED: R25, C27, D25, U6, Q2, F5, J19, SCRI.
  4. HEAT SINK ATTACHED TO AUDIO GROUND.
  5. = AUDIO GND  
 = GND

M051-00C52 - B018

ITEM	DESCRIPTION/MATERIAL	QTY
UNLESS OTHERWISE SPECIFIED DIMENSIONS ARE IN INCHES. TOLERANCES ON ANGLES = ± 1°		
DASH NO	NEXT ASSY NO	USED ON
MATERIAL		FINISH
DO NOT SCALE DRAWING		DATE
DRAWN BY L. PERCIVAL		2/22/84
CHECKED L. FORTE		2/29/84
ENGINEER		
MFG ENGINEER		
PROJECT ENGINEER		
SIZE D	DRAWING NO 008-8009-10-0B	REV B
SCALE NONE	SHEET 1	OF 2

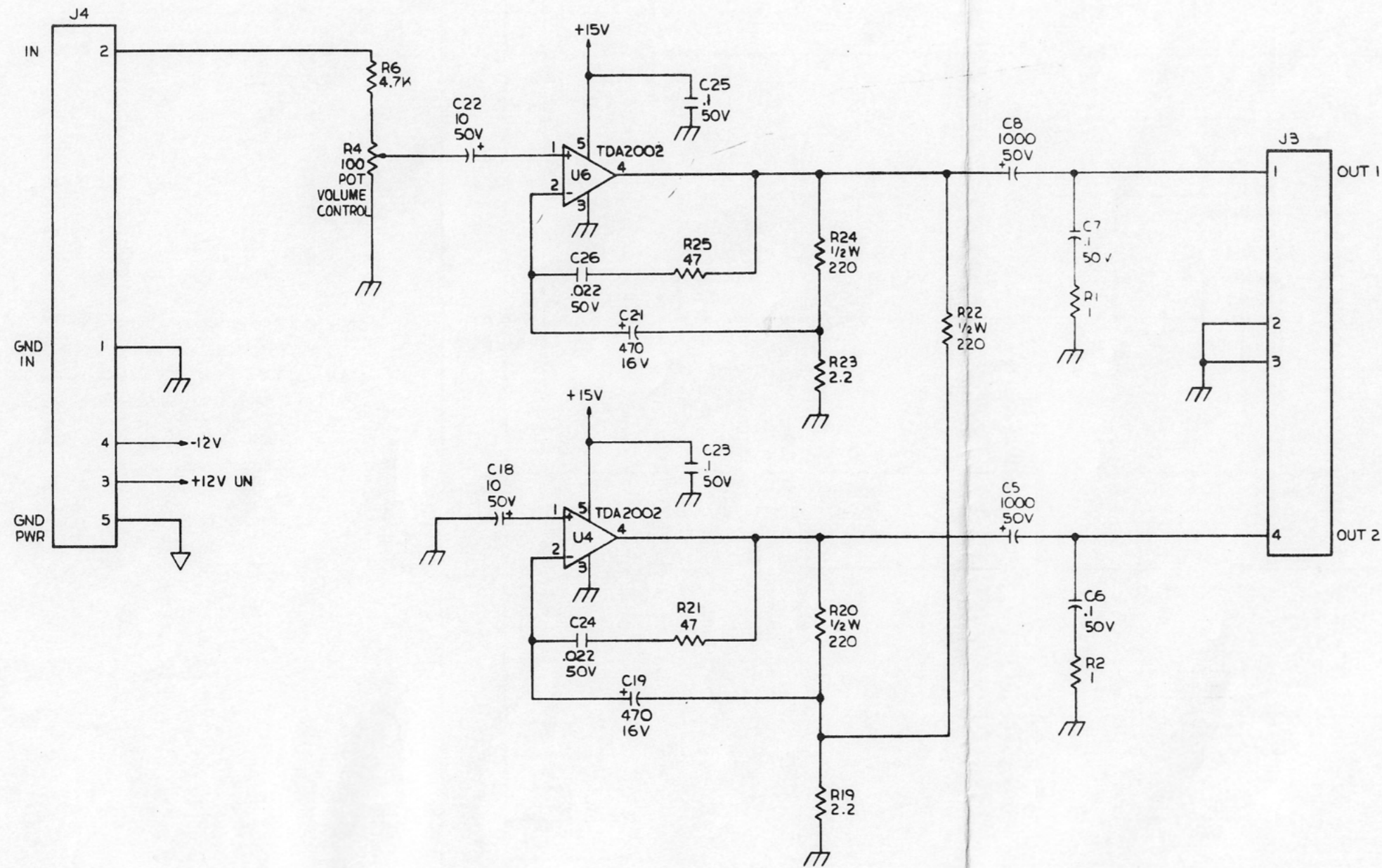
VISOR NOTE TO AVOID PART REJECTION ALL PARTS MUST BE MARKED WITH THE PART NUMBER EXCEPT WHERE SIZE OR QUANTITY WARRANTS BAG AND TAG IF UNCERTAIN CONTACT BUYER PRIOR TO SHIPMENT

NOTICE TO ALL PERSONS RECEIVING THIS DRAWING CONFIDENTIAL. Reproduction Forbidden without the specific written permission of Pizza Time Theatre Inc. of Sunnyvale, California. This drawing is only conditionally issued, and neither receipt nor possession thereof confers or transfers any right in, or license to use, the subject matter of the drawing or any design or technical information shown thereon, nor any right to reproduce this drawing or any part thereof, except for manufacture by vendors for Pizza Time Theatre Inc. and for manufacture under the corporation's written license. No right to reproduce this drawing is granted or the subject matter thereof unless by written agreement with or written permission from the corporation.

Pizza Time Theatre Inc.  
1213 Innsbruck Dr.  
Sunnyvale, CA 94086  
© 1978 Pizza Time Theatre Inc.

TITLE  
SCHEMATIC, LINEAR  
POWER SUPPLY

SYM	REV	PLN	REVISIONS DESCRIPTION	DATE	APPROVED

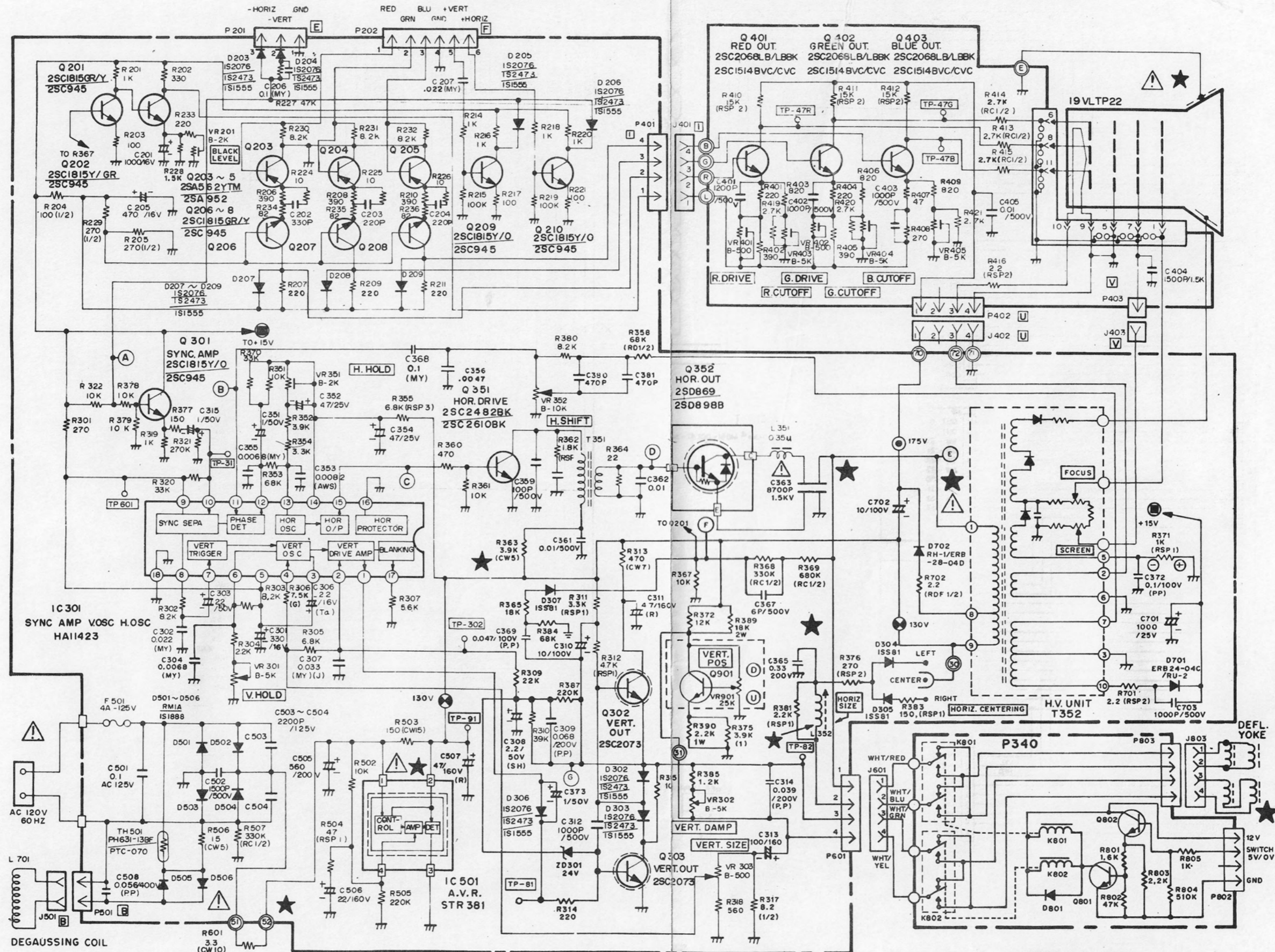


M051-00C52-B018

ITEM		DESCRIPTION/MATERIAL		QTY
UNLESS OTHERWISE SPECIFIED: DIMENSIONS ARE IN INCHES TOLERANCES ON ANGLES - ± 1°		<b>DO NOT SCALE DRAWING</b>		
DASH NO.	NEXT ASSY NO.	SURFACE FINISH	DRAWN BY L. PERCIVAL	DATE 2/3/84
USED ON		MATERIAL	CHECKED	
FINISH			ENGINEER	
NOTICE TO ALL PERSONS RECEIVING THIS DRAWING: CONFIDENTIAL. Reproduction Forbidden without the specific written permission of Pizza Time Theatre Inc. of Sunnyvale, California. This drawing is used conditionally issued, and neither revamp nor possession thereof confers or transfers any right in, or license to use, the subject matter of the drawing or any design or technical information shown therein, nor any right to reproduce this drawing or any part thereof, except for manufacture by vendors for Pizza Time Theatre, Inc. and for manufacture under the corporation's written license. No right to reproduce this drawing is granted or the subject matter thereof unless by written agreement with or written permission from the corporation.		TITLE SCHEMATIC, LINEAR POWER SUPPLY		
VENDOR NOTE TO AVOID PART REJECTION: ALL PARTS MUST BE SHIPPED WITH PART NUMBER EXCEPT WHERE SIZE OR QUANTITY WARRANTS BAG AND TAG. IF UNCERTAIN CONTACT BUYER PRIOR TO SHIPMENT.		MFG ENGINEER		SIZE D
		PROJECT ENGINEER		DRAWING NO. 008-8009-10-OB
				REV B
				SCALE NONE
				SHEET 2 OF 2

**Chuck & Cheese's**  
Pizza Time Theatre Inc.  
1213 Innsbruck Dr.  
Sunnyvale, CA 94086

# 19" COLOR GAME MONITOR SCHEMATIC DIAGRAM



K4956RD-5838  
M051-00C52-A019

