

ELECTRICAL MANUAL

SAC 1A

Bally

SENTE™

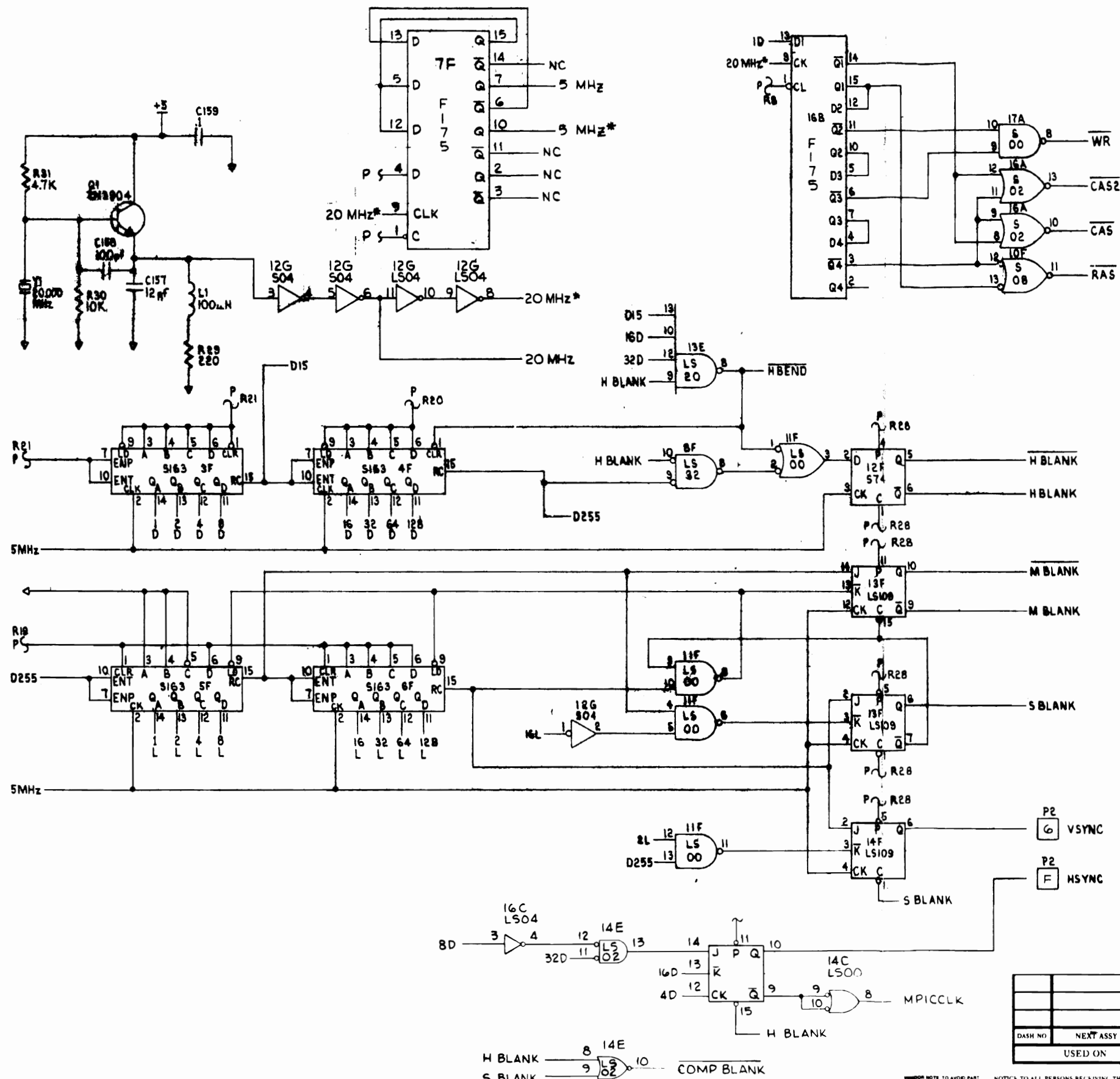
MIDWAY MFG. CO.

10601 W Belmont Avenue
Franklin Park, Illinois 60131
U.S.A.



Phone (312) 451-9200 Cable Address MIDCO Telex No.: 72-1596

SYM	REV	ECO NO.	REVISIONS DESCRIPTION	DATE	APPROVED
A	1892		PRODUCTION RELEASE	1/28/73	[Signature]
B	1931 1947		U7F, U16B WAS 74S175; 1S 74F175 U9B, U7E WAS 74S273; 1S 74F274	1/1/76	[Signature]
C	1963		ADDED RPI11 THRU RPI5 SHT #15 4, 7 OF 10. MODIFIED SHT 1 ZONE C & C7	2/1/76	[Signature]
C1	1990		U13A WAS LS157; 1S 5157, U11B WAS LS175 1S LS174, ADDED U20A & U16C	9/26/76	[Signature]

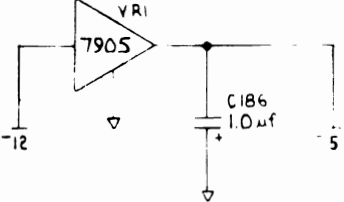
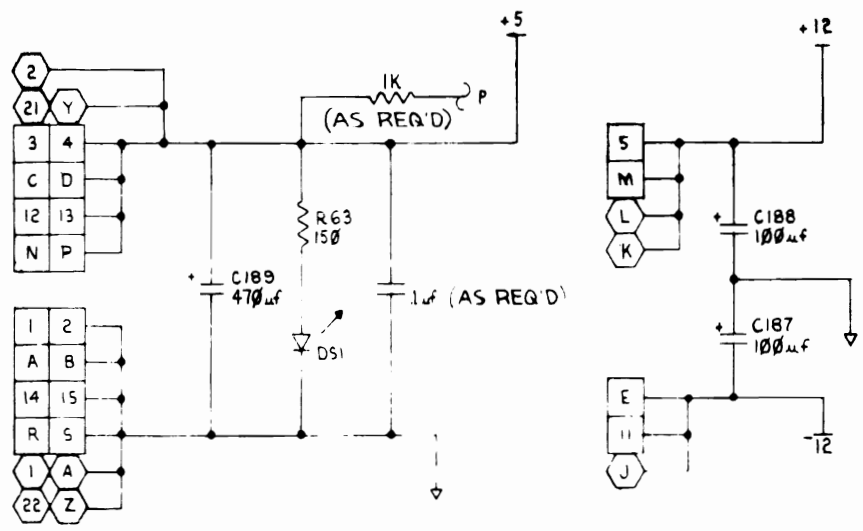
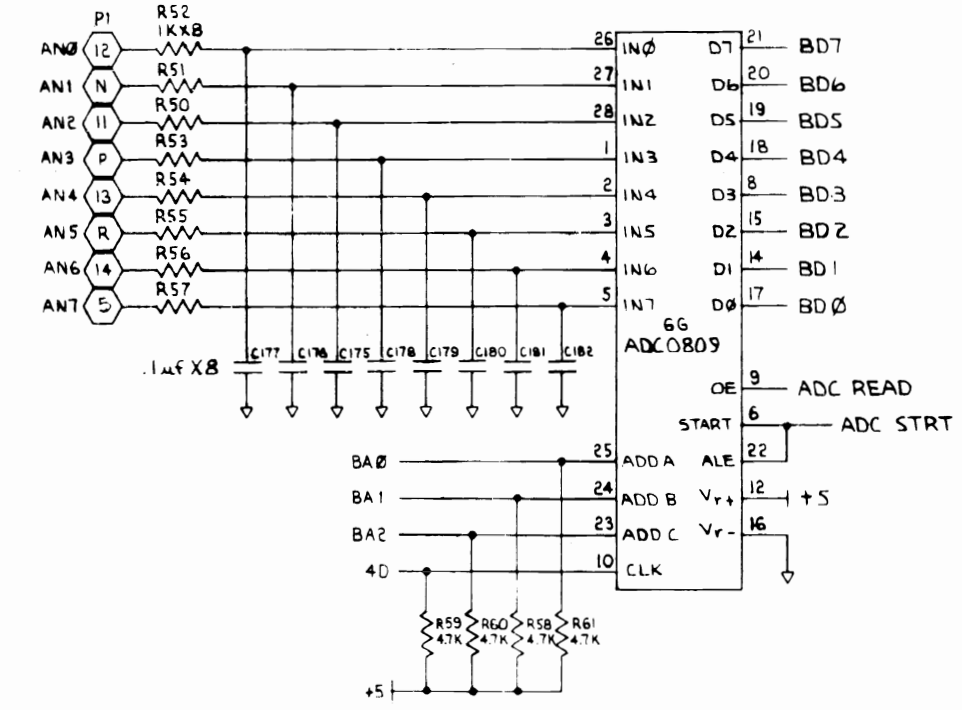
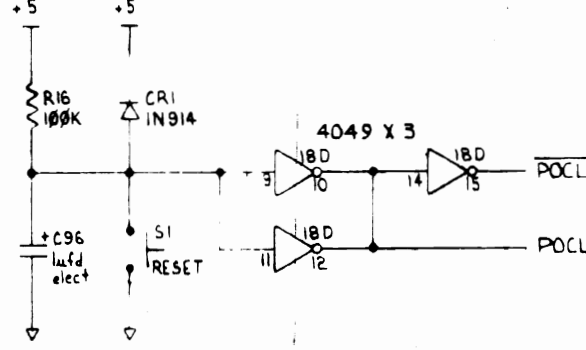
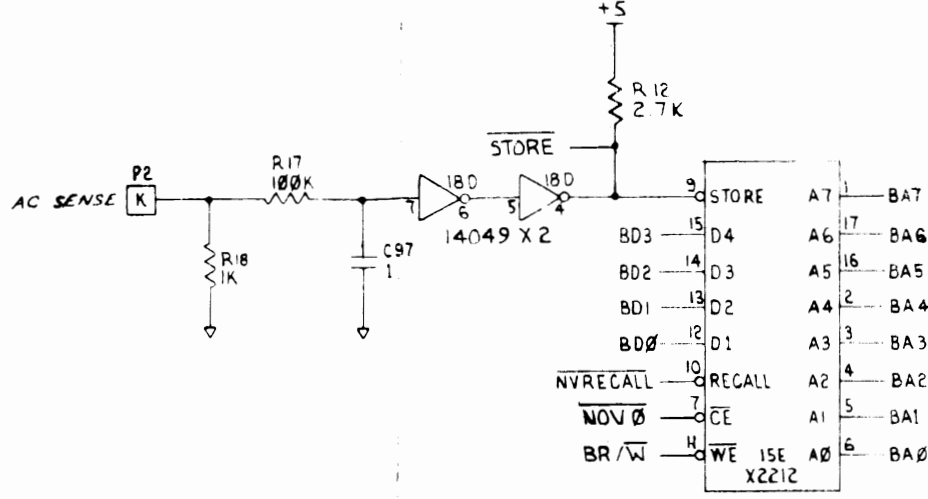
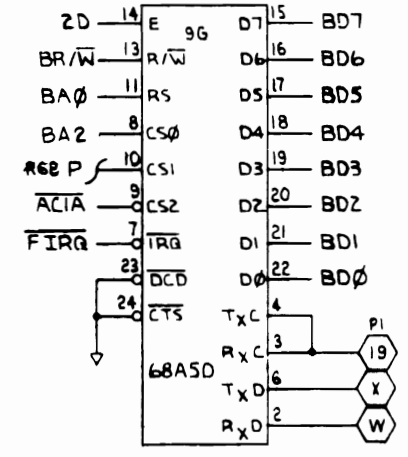
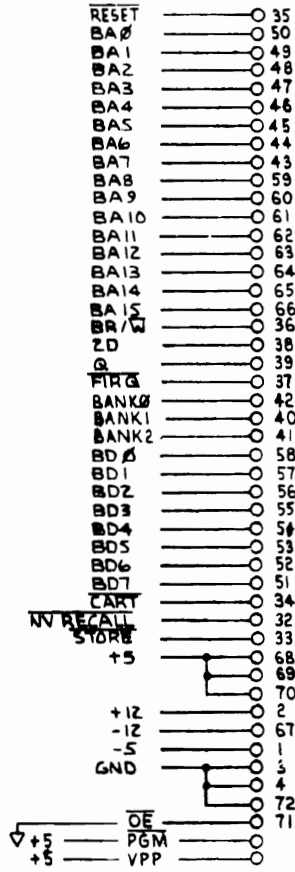


M051-00C52-C014

NOTICE TO ALL PERSONS RECEIVING THIS DRAWING: CONFIDENTIAL. Reproduction, Forfeiture, or other use without the specific written permission of Pizza Time Theatre Inc. of Sunnyvale, California. This drawing is not conditionally used and neither receipt nor possession thereof confers in transfer any right in or license to use the subject matter of the drawing or any design or technical information shown thereon nor any right to reproduce this drawing or any part thereof except for manufacture by vendors for Pizza Time Theatre Inc. and for manufacture under the corporation's written license. No right to reproduce this drawing is granted in the subject matter thereof unless by written agreement with the written permission of the corporation.

ITEM	DESCRIPTION	MATERIAL	QTY
	UNLESS OTHERWISE SPECIFIED DIMENSIONS ARE IN INCHES TOLERANCES ON ANGLES ± 1°	DO NOT SCALE DRAWING	
DASH NO.	NEXT ASSY NO.	DRAWN BY: G. CAINAP	DATE: 7/1/83
USED ON		CHECKED:	
		MECH. ENGINEER:	
		PROJECT ENGINEER:	
TITLE		Pizza Time Theatre Inc. 1213 Innsbruck Dr. Sunnyvale, CA 94086	
TITLE		PCB SCHEMATIC, CPU, SAC-I	
SIZE	DRAWING NO.	REV.	
D	00P-8001-01-0C	C1	
SCALE			10

SYM	REV	ECO NO	REVISIONS DESCRIPTION	DATE	APPROVED



M051-00052-C014

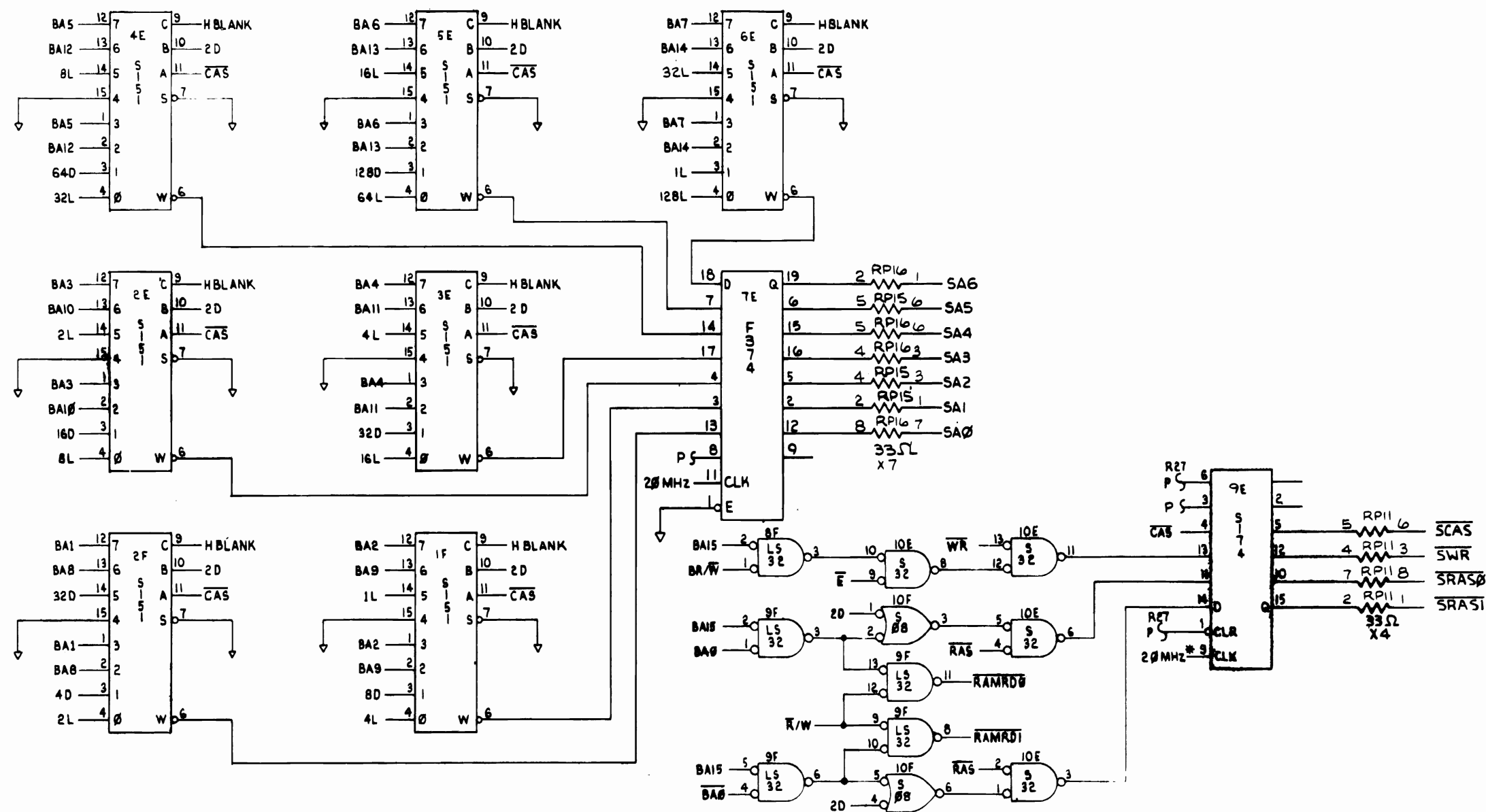
ITEM	DESCRIPTION/MATERIAL	QTY

DATE: 7-29-83	DESIGNED BY: G. CAINAP	DATE: 7-29-83
CHECKED BY: [Signature]	ENGINEER: [Signature]	DATE: 11-23-83
DRAWING NO: 008-8001-01-00	REV: C1	SCALE: NONE
DO NOT SCALE DRAWING		
Pizza Time Theatre Inc. 1213 Innsbruck Dr. Sunnyvale, CA 94086		
TITLE: PCB SCHEMATIC, CPU, SAC-I		

VENDOR NOTE: THE PART NUMBER AND PART MUST BE SHOWN. ALL PARTS MUST BE SHOWN. ALL PARTS MUST BE SHOWN. ALL PARTS MUST BE SHOWN.

NOTE: ALL PERMS. ARE ON THIS DRAWING. ANY CHANGES MUST BE APPROVED BY THE ORIGINAL DRAWING ENGINEER. ANY CHANGES MUST BE APPROVED BY THE ORIGINAL DRAWING ENGINEER.

SYM	REV	ECO NO.	REVISION DESCRIPTION	DATE	APPROVED



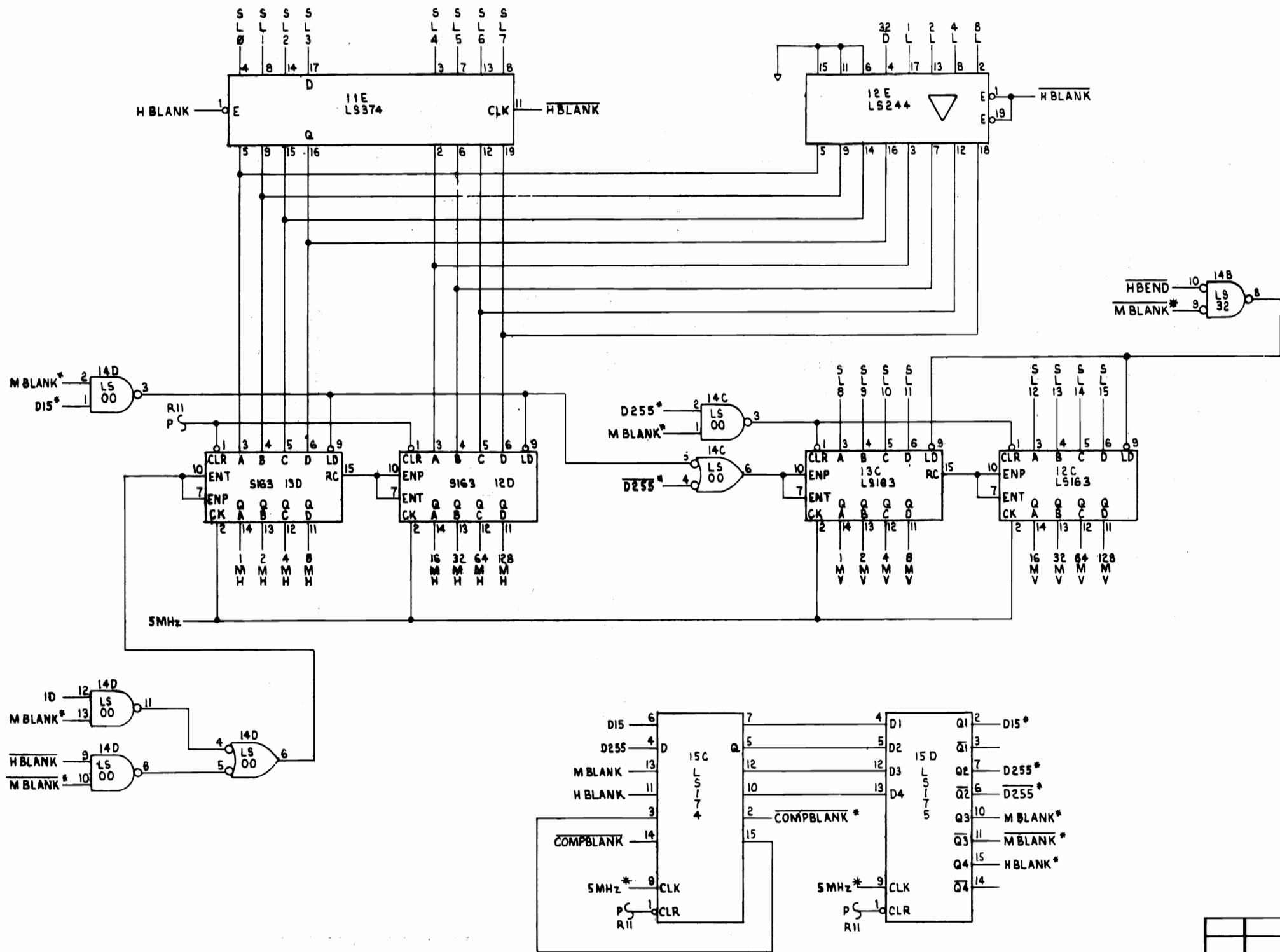
M051-00C52-C014

		ITEM	DESCRIPTION/MATERIAL	QTY
DASH NO		UNLESS OTHERWISE SPECIFIED DIMENSIONS ARE IN INCHES TOLERANCES IN INCHES ANGLES ± 1°		
NEXT ASSY NO		SURFACE FINISH: A: + .11, X: + .00, Y: + .00, Z: + .010		
USED ON		MATERIAL		
		FINISH		
		DO NOT SCALE DRAWING		
		DRAWN BY: G. CAINAP DATE: 7-20-83		
		CHECKED BY: [Signature]		
		MFG. ENGINEER		
		PROJECT ENGINEER		
		Pizza Time Theatre Inc. 1213 Innsbruck Dr. Sunnyvale, CA 94086		
		© 1978 Pizza Time Theatre Inc.		
		TITLE: PCB SCHEMATIC, CPU, SAC-I		
SIZE: D		DRAWING NO: 008-8001-01-00		REV: CI
SCALE: NONE		SHEET 4 OF 10		

VENDOR NOTE TO AVOID PART REJECTION: ALL PARTS MUST BE MARKED WITH P.T.T. PART NUMBER EXCEPT WHERE SIZE OR QUANTITY WARRANTS BAO AND TAG IS UNCERTAIN CONTACT BUYER PRIOR TO SHIPMENT

NOTICE TO ALL PERSONS RECEIVING THIS DRAWING: CONFIDENTIAL. Reproduction, Forfeiture without the specific written permission of Pizza Time Theatre Inc., Sunnyvale, California. This drawing is only conditionally issued and neither receipt nor possession thereof confers or transfers any right in or license to use the subject matter of the drawing or any design or technical information shown thereon, nor any right to reproduce this drawing or any part thereof, except for manufacture by vendors for Pizza Time Theatre Inc. and for manufacture under the corporation's written license. No right to reproduce this drawing is granted or the subject matter thereof unless by written agreement with or written permission from the corporation.

SYM	REV	ECO NO.	REVISIONS DESCRIPTION	DATE	APPROVED



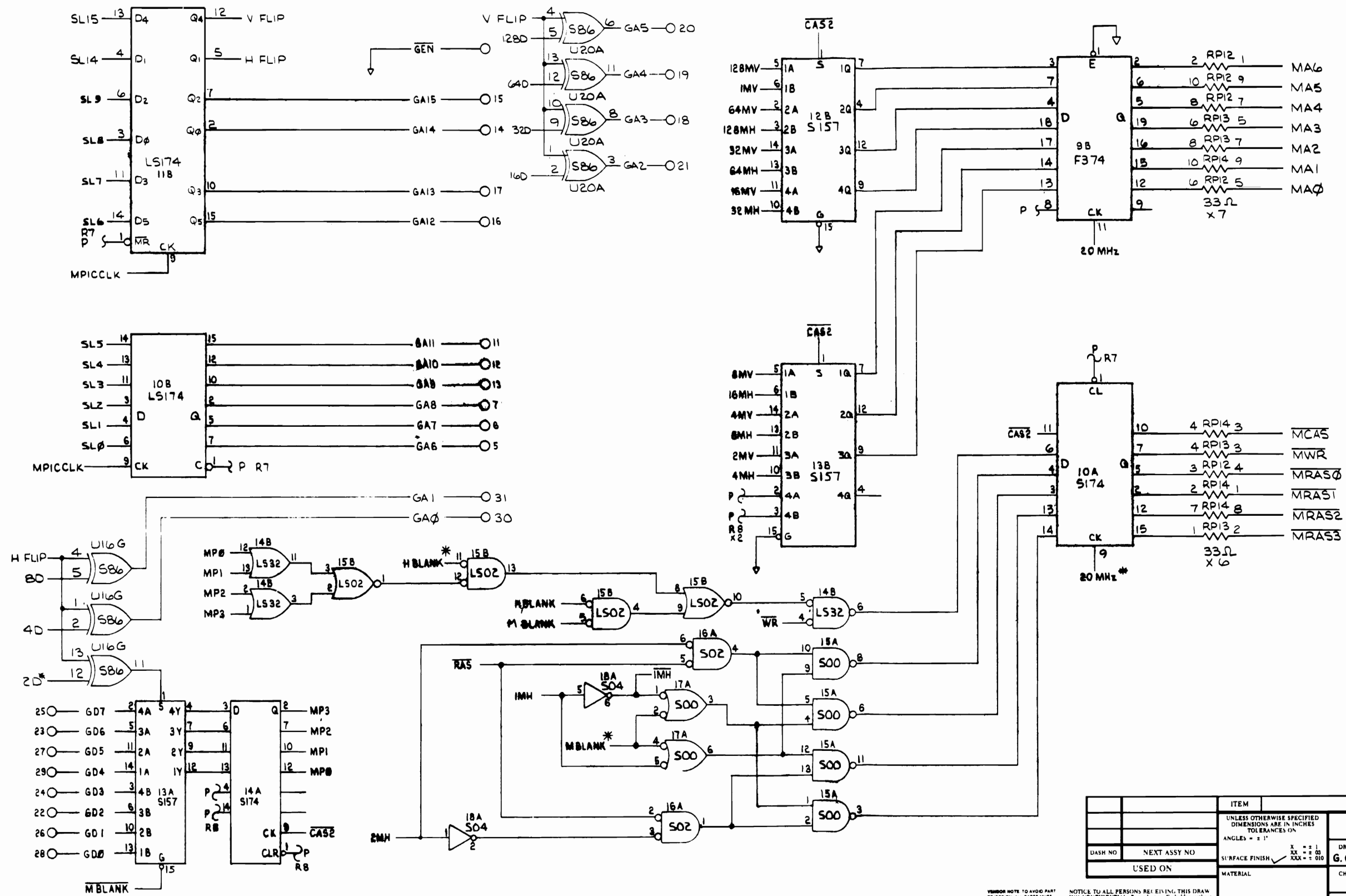
M051-00C52-C014

ITEM	DESCRIPTION/MATERIAL	QTY
	UNLESS OTHERWISE SPECIFIED DIMENSIONS ARE IN INCHES TOLERANCES ON: ANGLES - ± 1° SURFACE FINISH ✓ X = ± 0.01 XX = ± 0.02 XXX = ± 0.05	
DASH NO.	NEXT ASSY NO.	USED ON
DO NOT SCALE DRAWING		
DRAWN BY G. CAINAP		DATE 7-29-83
MATERIAL		CHECKED
FINISH		ENGINEER MPL. ENGINEER PROJECT ENGINEER
TITLE PCB SCHEMATIC, CPU, SAC - I		SIZE D
DRAWING NO. 008-8001-01-0C		REV CI
SCALE	NONE	SHEET 6 OF 10

VENOR NOTE TO AVOID PART
REJECTION: ALL PARTS MUST
BE MARKED WITH PART
NUMBER EXCEPT WHERE
SIZE OR QUANTITY WARRANTS
BIG AND TAG IS UNNECESSARY.
CONTACT BUYER PRIOR TO
SHIPMENT

NOTICE TO ALL PERSONS RECEIVING THIS DRAWING:
CONFIDENTIAL. Reproduction forbidden without
the specific written permission of Pizza Time Theatre Inc. of
Sunnyvale, California. This drawing is only conditionally
issued and neither receipt nor possession thereof confers or
transfers any right in, or license to use, the subject matter of
the drawing or any design or technical information thereon,
thereof, nor any right to reproduce this drawing or any part
thereof except for manufacture by vendors for Pizza Time
Theatre Inc. and for manufacture under the corporation's
written license. No right to reproduce this drawing is granted
to the subject matter thereof unless in written agreement
with or written permission from the corporation.

SYM	REV	ECO NO.	REVISIONS DESCRIPTION	DATE	APPROVED



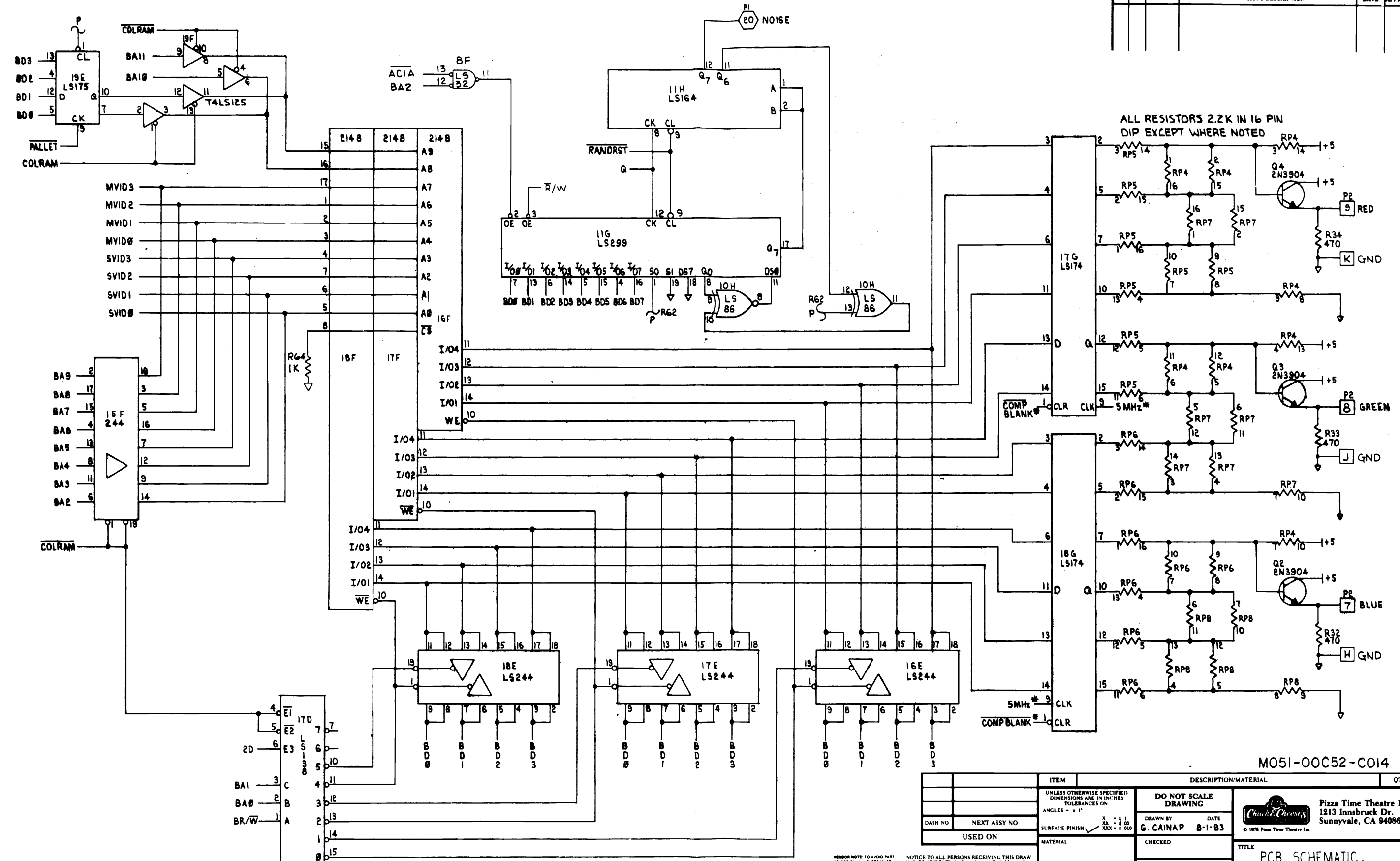
M051-00C52-C014

ITEM		DESCRIPTION/MATERIAL		QTY
UNLESS OTHERWISE SPECIFIED DIMENSIONS ARE IN INCHES TOLERANCES ON ANGLES = ± 1°		DO NOT SCALE DRAWING		 Pizza Time Theatre Inc. 1213 Innsbruck Dr. Sunnyvale, CA 94086 © 1978 Pizza Time Theatre Inc.
DASH NO.	NEXT ASSY NO.	SURFACE FINISH ✓	DRAWN BY: G. CAINAP DATE: 7/7/83	
USED ON		CHECKED	ENGINEER	TITLE PCB SCHEMATIC, CPU, SAC-I
MATERIAL		MPI. ENGINEER	PROJECT ENGINEER	
FINISH		SIZE DRAWING NO D 008-8001-01-0C		REV CI
NOTICE TO ALL PERSONS RECEIVING THIS DRAWING: CONFIDENTIAL. Reproduction without the specific written permission of Pizza Time Theatre Inc. of Sunnyvale, California. This drawing is used conditionally and neither receipt nor possession thereof confers or transfers any right in, or license to use, the subject matter of the drawing or any design or technical information shown thereon nor any right to reproduce this drawing or any part thereof except for manufacture by vendors for Pizza Time Theatre Inc. and for manufacture under the corporation's written license. No right to reproduce this drawing is granted or the value of matter thereof unless in written agreement with or written permission from the corporation.		SCALE: NONE		SHEET 7 OF 10

VENOR NOTE TO AVOID PART MISMATCH: ALL PARTS MUST BE MARKED WITH P-T PART NUMBER EXCEPT WHERE SIZE OR QUANTITY WARRANTS AND TAG IF UNCERTAIN CONTACT BUYER PRIOR TO SHIPMENT

NOTICE TO ALL PERSONS RECEIVING THIS DRAWING: CONFIDENTIAL. Reproduction without the specific written permission of Pizza Time Theatre Inc. of Sunnyvale, California. This drawing is used conditionally and neither receipt nor possession thereof confers or transfers any right in, or license to use, the subject matter of the drawing or any design or technical information shown thereon nor any right to reproduce this drawing or any part thereof except for manufacture by vendors for Pizza Time Theatre Inc. and for manufacture under the corporation's written license. No right to reproduce this drawing is granted or the value of matter thereof unless in written agreement with or written permission from the corporation.

SYM	REV	ECO NO.	REVISIONS DESCRIPTION	DATE	APPROVED



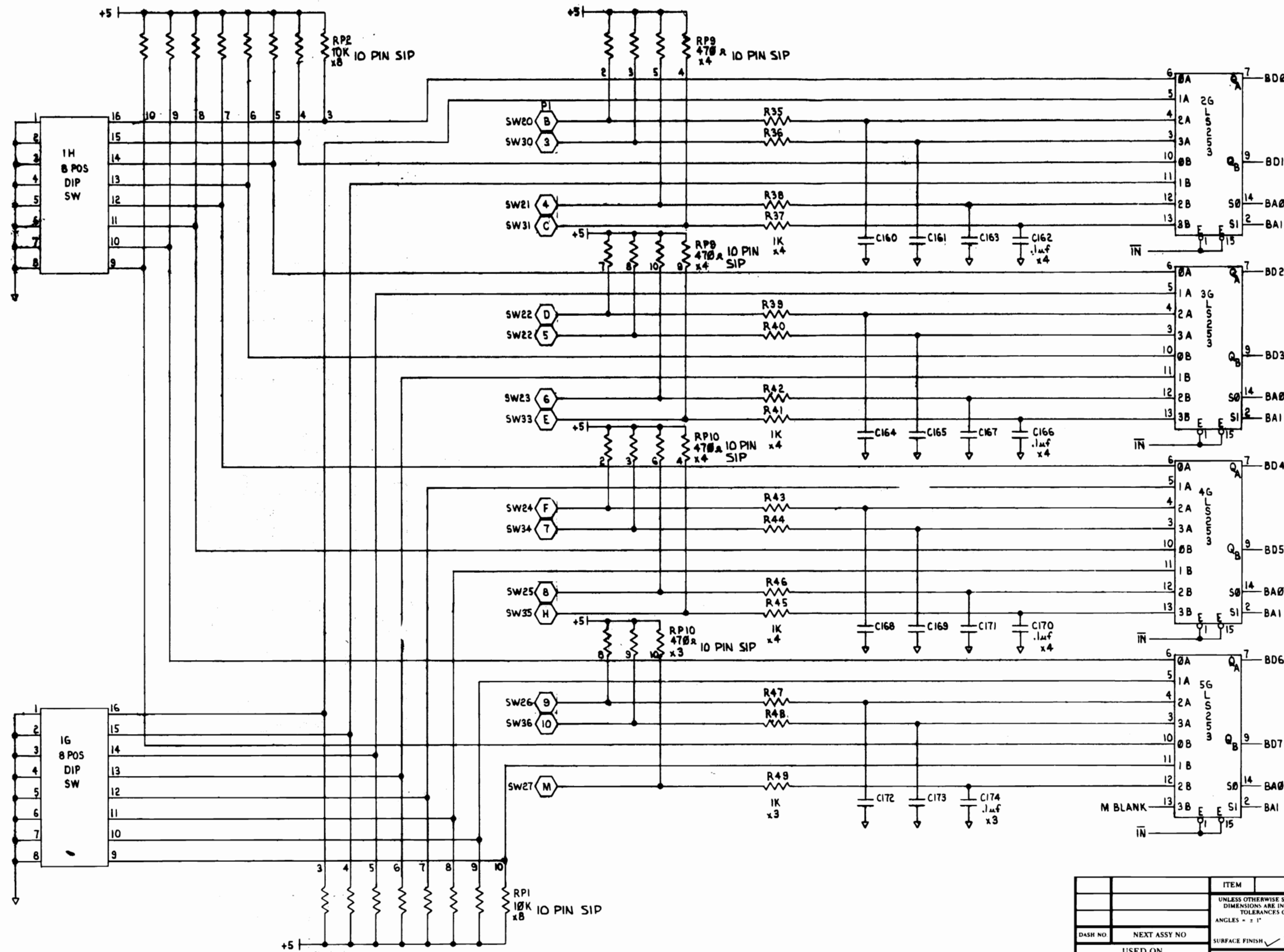
M051-00C52-C014

ITEM		DESCRIPTION/MATERIAL		QTY
UNLESS OTHERWISE SPECIFIED DIMENSIONS ARE IN INCHES TOLERANCES ON ANGLES = ± 1°		DO NOT SCALE DRAWING		
DASH NO	NEXT ASSY NO	SURFACE FINISH	DATE	
USED ON		CHECKED		
MATERIAL		ENGINEER		
FINISH		MFG ENGINEER		
		PROJECT ENGINEER		
TITLE				
PCB SCHEMATIC, CPU, SAC-I				
SIZE	DRAWING NO	REV		
D	008-8001-01-0C	CI		
SCALE	NONE	SHEET	9	OF 10

VENDOR NOTE: TO AVOID PART SELECTION ALL PARTS MUST BE MARKED WITH P.T.T. PART NUMBER EXCEPT WHERE SHOWN OR QUANTITY WARRANTS BAG AND TAG IF UNCERTAIN CONTACT BUYER PRIOR TO SHIPMENT

NOTICE TO ALL PERSONS RECEIVING THIS DRAWING: CONFIDENTIAL. Reproduction Forbidden without the specific written permission of Pizza Time Theatre Inc. of Sunnyvale, California. This drawing is only conditionally used, and neither receipt nor possession thereof confers or transfers any right in, or license to use, the subject matter of the drawing or any design or technical information shown thereon, nor any right to reproduce this drawing or any part thereof, except for manufacture by vendors for Pizza Time Theatre Inc. and for manufacture under the corporation's written license. No right to reproduce this drawing is granted or the subject matter thereof unless by written agreement with or written permission from the corporation.

SYM	REV	ECO NO.	REVISION DESCRIPTION	DATE	APPROVED



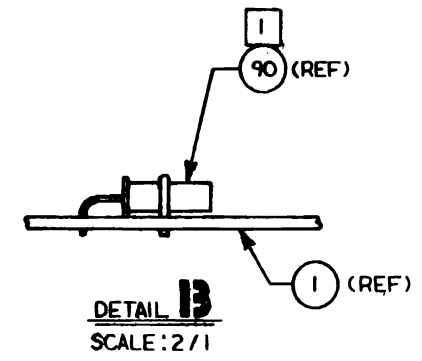
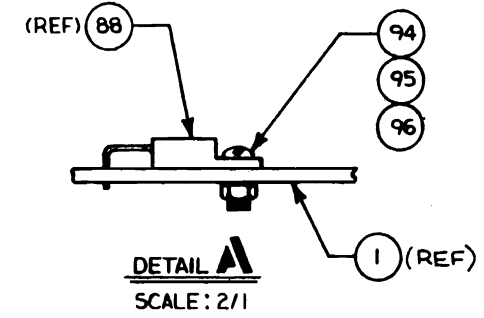
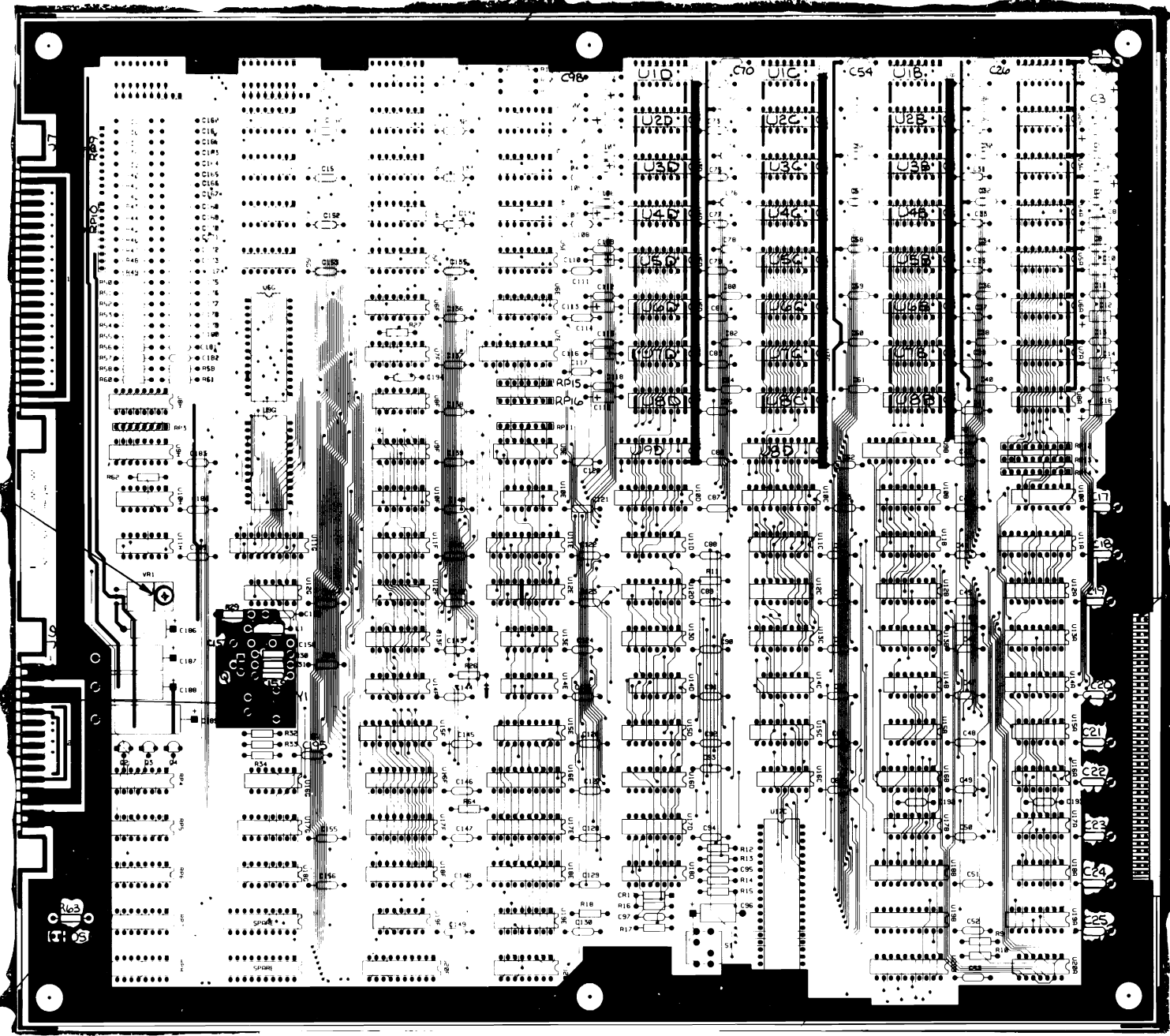
M051-00C52-C014

ITEM		DESCRIPTION/MATERIAL		QTY
UNLESS OTHERWISE SPECIFIED DIMENSIONS ARE IN INCHES TOLERANCES ON ANGLES = ± 1°		DO NOT SCALE DRAWING		
DASH NO.	NEXT ASSY NO.	SURFACE FINISH	DRAWN BY G. CAINAP	DATE 8/1/83
USED ON		MATERIAL	CHECKED	
MATERIAL		FINISH	ENGINEER MFC	
PROJECT ENGINEER		TITLE PCB SCHEMATIC, CPU, SAC-I		
SIZE D	DRAWING NO. 008-8001-01-0C	REV CI		
MATERIAL	NONE	SHEET	10	OF 10

VENDOR NOTE TO AVOID PART REJECTION: ALL PARTS MUST BE MARKED WITH P.I.T. PART NUMBER EXCEPT WHERE SIZE OR QUANTITY WARRANTS BAG AND TAG. IF UNCERTAIN CONTACT BUYER PRIOR TO PURCHASE.

NOTICE TO ALL PERSONS RECEIVING THIS DRAWING: CONFIDENTIAL. Reproduction Forbidden without the specific written permission of Pizza Time Theatre Inc. of Sunnyvale, California. This drawing is only conditionally issued, and neither receipt nor possession thereof confers or transfers any right in, or license to use, the subject matter of the drawing or any design or technical information shown thereon, nor any right to reproduce this drawing or any part thereof, except for manufacture by vendors for Pizza Time Theatre Inc. and for manufacture under the corporation's written license. No right to reproduce this drawing is created or the subject matter thereof unless by written agreement with or written permission from the corporation.

SYM	REV	ECO NO.	REVISIONS DESCRIPTION	DATE	APPROVED
C	1963		DELETED 007-8001-10-0A, ADDED 007-8001-10-0C & REVISED QTY'S	1/1/63	[Signature]
C	1990		DELETED ITEM 15, ADDED ITEM 40, CHG QTY ON ITEMS 18, 19 & 53	1/1/90	[Signature]



88
SEE DETAIL A

90
SEE DETAIL B

97
91

NOTES: UNLESS OTHERWISE SPECIFIED
 1 Y1 (ITEM 90) TO HAVE 20 AWG WIRE WRAPPED AROUND BODY AND SOLDERED IN HOLES PROVIDED.

M051-00C52-C013

ITEM	DESCRIPTION/MATERIAL	QTY																			
-10	000-8011-10																				
<table border="1"> <tr> <td colspan="2">UNLESS OTHERWISE SPECIFIED DIMENSIONS ARE IN INCHES TOLERANCES ON:</td> <td>DO NOT SCALE DRAWING</td> <td rowspan="2"> Pizza Time Theatre Inc. 1213 Innsbruck Dr. Sunnyvale, CA 94086 © 1978 Pizza Time Theatre Inc. </td> </tr> <tr> <td>DRAW NO.</td> <td>NEXT ASSY NO.</td> <td>DRAWN BY DATE</td> </tr> <tr> <td colspan="2">USED ON</td> <td>SURFACE FINISH</td> <td>CHECKED</td> </tr> <tr> <td colspan="2">MATERIAL</td> <td>FINISH</td> <td>MFC ENGINEER</td> </tr> <tr> <td colspan="2"></td> <td></td> <td>PROJECT ENGINEER</td> </tr> </table>			UNLESS OTHERWISE SPECIFIED DIMENSIONS ARE IN INCHES TOLERANCES ON:		DO NOT SCALE DRAWING	Pizza Time Theatre Inc. 1213 Innsbruck Dr. Sunnyvale, CA 94086 © 1978 Pizza Time Theatre Inc.	DRAW NO.	NEXT ASSY NO.	DRAWN BY DATE	USED ON		SURFACE FINISH	CHECKED	MATERIAL		FINISH	MFC ENGINEER				PROJECT ENGINEER
UNLESS OTHERWISE SPECIFIED DIMENSIONS ARE IN INCHES TOLERANCES ON:		DO NOT SCALE DRAWING	Pizza Time Theatre Inc. 1213 Innsbruck Dr. Sunnyvale, CA 94086 © 1978 Pizza Time Theatre Inc.																		
DRAW NO.	NEXT ASSY NO.	DRAWN BY DATE																			
USED ON		SURFACE FINISH	CHECKED																		
MATERIAL		FINISH	MFC ENGINEER																		
			PROJECT ENGINEER																		
<table border="1"> <tr> <td> X = ± .1 XX = ± .05 XXX = ± .010 </td> <td> L. FERTE 2/2/84 [Signature] </td> <td> DATE 1/30/84 </td> <td> TITLE PCB ASSEMBLY CPU, SAC-I </td> </tr> <tr> <td> SIZE D </td> <td> DRAWING NO. 006-8001-10-0C </td> <td> REV C1 </td> <td> SCALE 1/1 & NOTED </td> </tr> </table>			X = ± .1 XX = ± .05 XXX = ± .010	L. FERTE 2/2/84 [Signature]	DATE 1/30/84	TITLE PCB ASSEMBLY CPU, SAC-I	SIZE D	DRAWING NO. 006-8001-10-0C	REV C1	SCALE 1/1 & NOTED											
X = ± .1 XX = ± .05 XXX = ± .010	L. FERTE 2/2/84 [Signature]	DATE 1/30/84	TITLE PCB ASSEMBLY CPU, SAC-I																		
SIZE D	DRAWING NO. 006-8001-10-0C	REV C1	SCALE 1/1 & NOTED																		

ERROR NOTE TO AVOID PART MISMATCH. ALL PARTS MUST BE SHOWN WITH PART NUMBER, EXCEPT WHEN SIZE OR QUANTITY IMPLICATES BAG AND TAB. IF UNCERTAIN, CONTACT BUYER PRIOR TO PURCHASE.

NOTICE TO ALL PERSONS RECEIVING THIS DRAWING: CONFIDENTIAL. Reproduction Forbidden without the specific written permission of Pizza Time Theatre Inc., Sunnyvale, California. This drawing is only conditionally loaned, and neither receipt nor possession thereof confers or transfers any right in, or license to use, the subject matter of the drawing or any design or technical information shown therein, nor any right to reproduce this drawing or any part thereof, except for manufacture by vendors for Pizza Time Theatre Inc. and for manufacture under the corporation's written license, no right to reproduce this drawing is granted or the subject matter thereof unless by written agreement with or written permission from the corporation.

PCB ASSEMBLY, CPU
(006-8001-10-0C) (M051-00C52-C013)
PARTS LIST - SHEET 2 of 4

ITEM	QTY.	PART NO.	REFERENCE	DESCRIPTION
1	1	007-8001-01-0C		PCB, FABRICATION, CPU, SAC-1
2				
3	3	200-0039-01	U11F, 14D, 14C	IC, DIG, TTL, 74LS00, NAND GATE
4	2	200-0040-01	U14E, 15B	IC, DIG, TTL, 74LS02, NOR GATE
5	1	200-0041-01	U16C	IC, DIG, TTL, 74LS04, HEX INVERTER
6	1	200-0042-01	U13E	IC, DIG, TTL, 74LS20, 4-IN NAND
7	3	200-0043-01	U8F, 9F, 14B	IC, DIG, TTL, 74LS32, OR GATE
8	1	200-0044-01	U17B	IC, DIG, TTL, 74LS74, DUAL D F/F
9	1	200-0075-01	U10H	IC, DIG, TTL, 74LS86, QUAD X-OR
10	1	200-0045-01	U16D	IC, DIG, TTL, 74LS96, 5 BIT SHIFT
11	2	200-0046-01	U13F, 14F	IC, DIG, TTL, 74LS109, DUAL JK F/F
12	1	200-0047-01	U19F	IC, DIG, TTL, 74LS125, QUAD BUFFER
13	2	200-0048-01	U17D, U20E	IC, DIG, TTL, 74LS138, 3-8 DECODER
14				
15				
16	2	200-0052-01	U12C, 13C	IC, DIG, TTL, 74LS163, 4 BIT COUNT
17	1	200-0076-01	U11H	IC, DIG, TTL, 74LS164, 8 BIT SHIFT
18	5	200-0053-01	U10B, 11B, 15C, 17G, 18G	IC, DIG, TTL, 74LS174, HEX D F/F
19	3	200-0032-01	U19A, 15D, 19E	IC, DIG, TTL, 74LS175, QUAD D F/F
20	7	200-0055-01	U18B, 20B, 12E, 18E, 17E, 16E, 15F	IC, DIG, TTL, 74LS244, 8TS BUFFER
21	1	200-0056-01	U19B	IC, DIG, TTL, 74LS245, 8 BUS XCVR
22	6	200-0057-01	U11D, 11C, 26, 36, 46, 56	IC, DIG, TTL, 74LS253, DATA SELECT
23	1	200-0078-01	U12A	IC, DIG, TTL, 74LS257, 4 2-1 MUX
24	1	200-0058-01	U9H	IC, DIG, TTL, 74LS259, 8 BIT LATCH
25	1	200-0059-01	U11A	IC, DIG, TTL, 74LS273, OCTAL D F/F
26	1	200-0077-01	U11G	IC, DIG, TTL, 74LS299, 8 BIT SHIFT
27	5	200-0060-01	U10C, 10D, 9D, 9C, 11E	IC, DIG, TTL, 74LS374, OCTAL D F/F
28				
29				
30	2	200-0061-01	U17A, 15A	IC, DIG, TTL, 74S00, NAND GATE
31	1	200-0062-01	U16A	IC, DIG, TTL, 74S02, NOR GATE
32	2	200-0063-01	U12G, 18A	IC, DIG, TTL, 74S04, HEX INVERTER
33	1	200-0064-01	U10F	IC, DIG, TTL, 74S08, AND GATE
34	1	200-0065-01	U10E	IC, DIG, TTL, 74S32, OR GATE
35	1	200-0066-01	U12F	IC, DIG, TTL, 74S74, DUAL D F/F
36	7	200-0067-01	U2E-6E, 1F, 2F	IC, DIG, TTL, 74S151, 8-1 MUX
37	3	200-0068-01	U12B, 13B, 13A	IC, DIG, TTL, 74S157, 4 2-1 MUX
38	6	200-0069-01	U3F, 4F, 5F, 6F, 13D, 12D	IC, DIG, TTL, 74S163, 4 BIT COUNT
39	3	200-0070-01	U9E, 14A, 10A	IC, DIG, TTL, 74S174, HEX D F/F
40	2	200-0082-01	U20A, U16G	IC, DIG, TTL, 74S86, QUAD X-OR
41				
42	1	210-0005-01	U18D	IC, DIG, CMOS, 4049UB, HEX INVERTER
43	1	230-0007-01	U15E	IC, DIG, NOV RAM, X 2212, 256 X 4

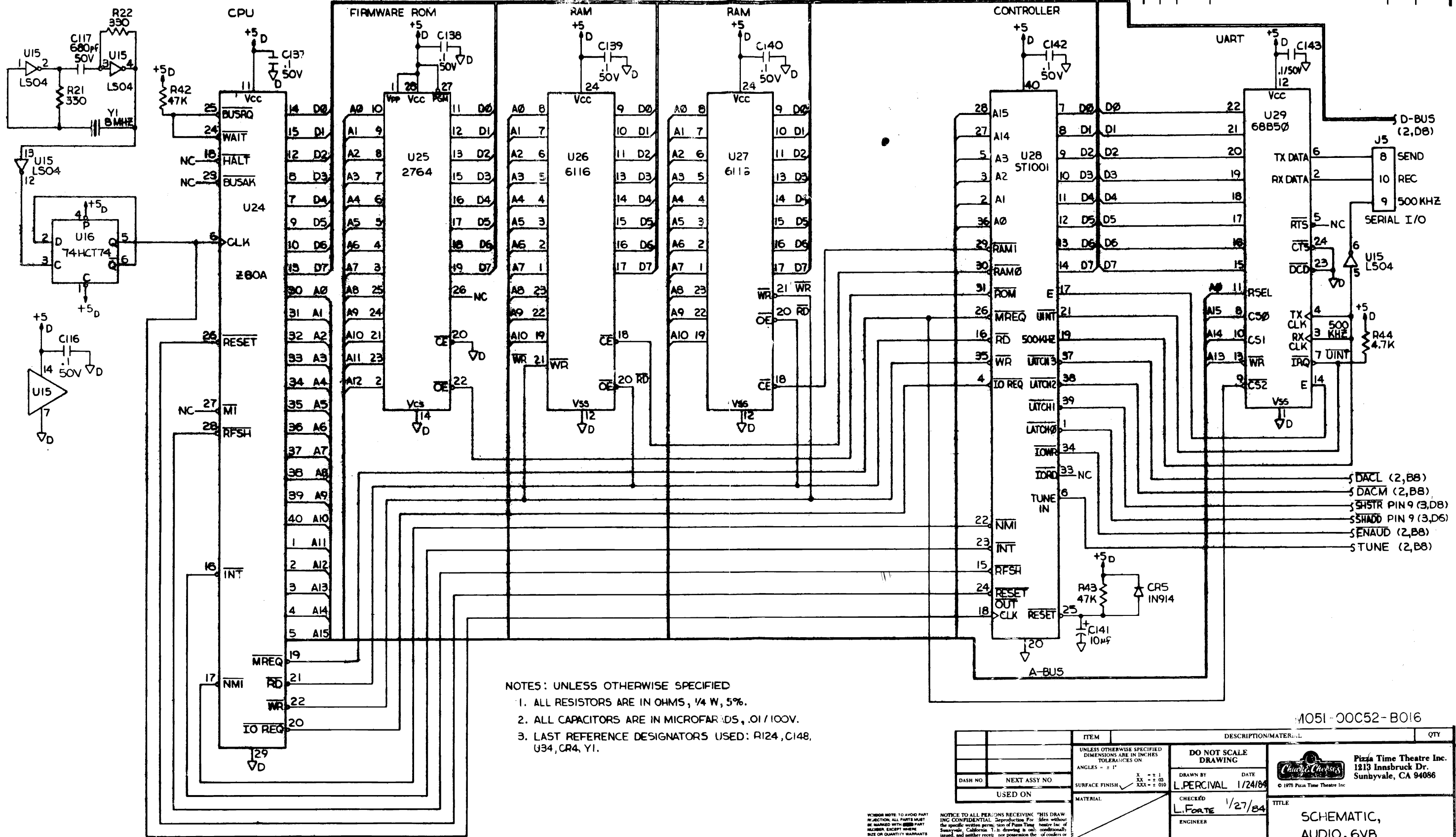
PCB ASSEMBLY, CPU
(006-8001-10-0C) (M051-00C52-C013)
PARTS LIST - SHEET 3 of 4

ITEM	QTY.	PART NO.	REFERENCE	DESCRIPTION
44	3	240-0003-01	U18F, 17F, 16F	IC, DIG, RAM, 2148, 1K X 4, 70NS
45	32	240-0004-01	U1A-BA, 1B-8B, 1C-8C, 1D-8D	IC, DIG, RAM, 4116, 16K X 1, 150NS
46	1	260-0002-01	U8H	IC, DIG, INT, ULN2003, DRIVER
47	1	015-8001-10-0B	U20F	PAL, SAC-1
48	1	250-0010-01	U9G	IC, DIG, MPS, 68B50, ACIA, .75MHZ
49	1	250-0006-01	U17C	IC, DIG, MPU, 68A09E
50	1	260-0030-01	U6G	IC, SP, , ADC 8 BIT, ADC0809
51	1	320-0006-01	C157	CAP, MIC, RAD, 12PF, 500V, 5%
52	1	320-0007-01	C158	CAP, MIC, RAD, 100PF, 500V, 5%
53	172	300-0009-01	C1, 3, 5, 7, 9, 11, 13, 15, 17-95, 97, 98, 100, 102, 103, 105, 106, 108, 109, 111, 112, 114, 115, 117, 118, 120, 121-156, 159-185, 190-195	CAP, CER, AXL, 0.1UF, 50V, 20%
54	2	340-0015-01	C96, 186	CAP, ELEC, AXL, 1.0UF, 63V, 50/-10%
55	2	340-0011-01	C187, C188	CAP, ELEC, AXL, 100UF, 16V, 50/-10%
56	1	340-0018-01	C189	CAP, ELEC, AXL, 470UF, 6.3V, 50/-10%
57	8	310-0013-01	C2, 6, 10, 14, 101, 107, 113, 119	CAP, TAN, AXL, 2.2UF, 10V, 20%
58	8	310-0014-01	C4, 8, 12, 16, 99, 104, 110, 116	CAP, TAN, AXL, 4.7UF, 20V, 20%
59	4	460-0015-01	RP11, RP13, RP15, RP16	RES, PAK, SIP, 8 PIN, 4X, 33 OHM
60	2	460-0016-01	RP12, RP14	RES, PAK, SIP, 10 PIN, 5X, 33 OHM
61				
62	1	400-1500-01	R63	RES, CF, 1/4W, 5%, 150 OHM
63	1	400-2200-01	R29	RES, CF, 1/4W, 5%, 220 OHM
64	3	400-4700-01	R32-34	RES, CF, 1/4W, 5%, 470 OHM
65	37	400-1001-01	R7, 8, 9, 11, 14, 15, 18-21, 27, 28, 35-57, 62, 64	RES, CF, 1/4W, 5%, 1K OHM
66	1	400-2701-01	R12	RES, CF, 1/4W, 5%, 2.7K OHM
67	6	400-4701-01	R13, 31, 58-61	RES, CF, 1/4W, 5%, 4.7K OHM
68	2	400-1002-01	R26, 30	RES, CF, 1/4W, 5%, 10K OHM
69	2	400-1003-01	R16, 17	RES, CF, 1/4W, 5%, 100K OHM
70	5	460-0011-01	RP4-8	RES, PAK, DIP, 16 PIN, 8X, 2.2K OHM
71	2	460-0012-01	RP9, 10	RES, PAK, SIP, 10 PIN, 9X, 470 OHM
72	1	460-0014-01	RP3	RES, PAK, SIP, 8 PIN, 7X, 1.0K OHM
73	2	460-0013-01	RP1, 2	RES, PAK, SIP, 10 PIN, 9X, 10K OHM
74	1	400-2700-01	R10	RES, CF, 1/4W, 5%, 270 OHM
75				
76	1	510-0019-01	U9G	SOCKET, IC, 24P, LOW PROF, PC
77	1	510-0020-01	U6G	SOCKET, IC, 28P, LOW PROF, PC
78	1	510-0021-01	U17C	SOCKET, IC, 40P, LOW PROF, PC

PCB ASSEMBLY, CPU
 (006-8001-10-0C) (M051-00C52-C013)
 PARTS LIST - SHEET 4 of 4

ITEM	QTY.	PART NO.	REFERENCE	DESCRIPTION
79				
80				
81				
82	1	550-0063-01	J22	CONN,AMP 1-102589-7
83	1	500-0016-01	L1	INDUCTOR,FER,AXL,100UH,10%
84	1	100-0002-01	CR1	D10,SI,10MA,75 PIV,IN914
85				
86				
87	4	120-0003-01	Q1,2,3,4	XSTR,SI,NPN,2N3904
88	1	260-0011-01	VR1	IC,LIN,VR,7905,5V NEG
89				
90	1	820-0004-01	Y1	CRYSTAL,20.000MHZ
91	1	840-0036-01	DS1	OPT,DSP,LED,SNG,RED
92	2	570-0036-01	U1G,1H	SW,DIP,8 PST
93				
94	1	801-0440-06-01		SCREW PH PH 4-40 X 3/8"
95	1	812-0440-00-01		NUT,HEX,4-40
96	1	822-0004-00-01		WASHER,SPLIT LOCK #4
97	1	800-00237-01	DS1	SPACER,LED
98				
99				
100				
101				
102	2	200-0079-01	U7F,U16B	IC,DIG,TTL,74F175,QUAD D F/F
103	2	200-0080-01	U7E,U9B	IC,DIG,TTL,74F374,OCTAL D F/F
104				
105				

SYM	REV	ECO NO.	REVISION DESCRIPTION	DATE	APPROVED
B			PCB REDESIGNED FOR ST1001 CHIP		
B1	1988		ADDED C149		



- NOTES: UNLESS OTHERWISE SPECIFIED
1. ALL RESISTORS ARE IN OHMS, 1/4 W, 5%.
 2. ALL CAPACITORS ARE IN MICROFARADS, .01/100V.
 3. LAST REFERENCE DESIGNATORS USED: R124, C148, U34, CR4, Y1.

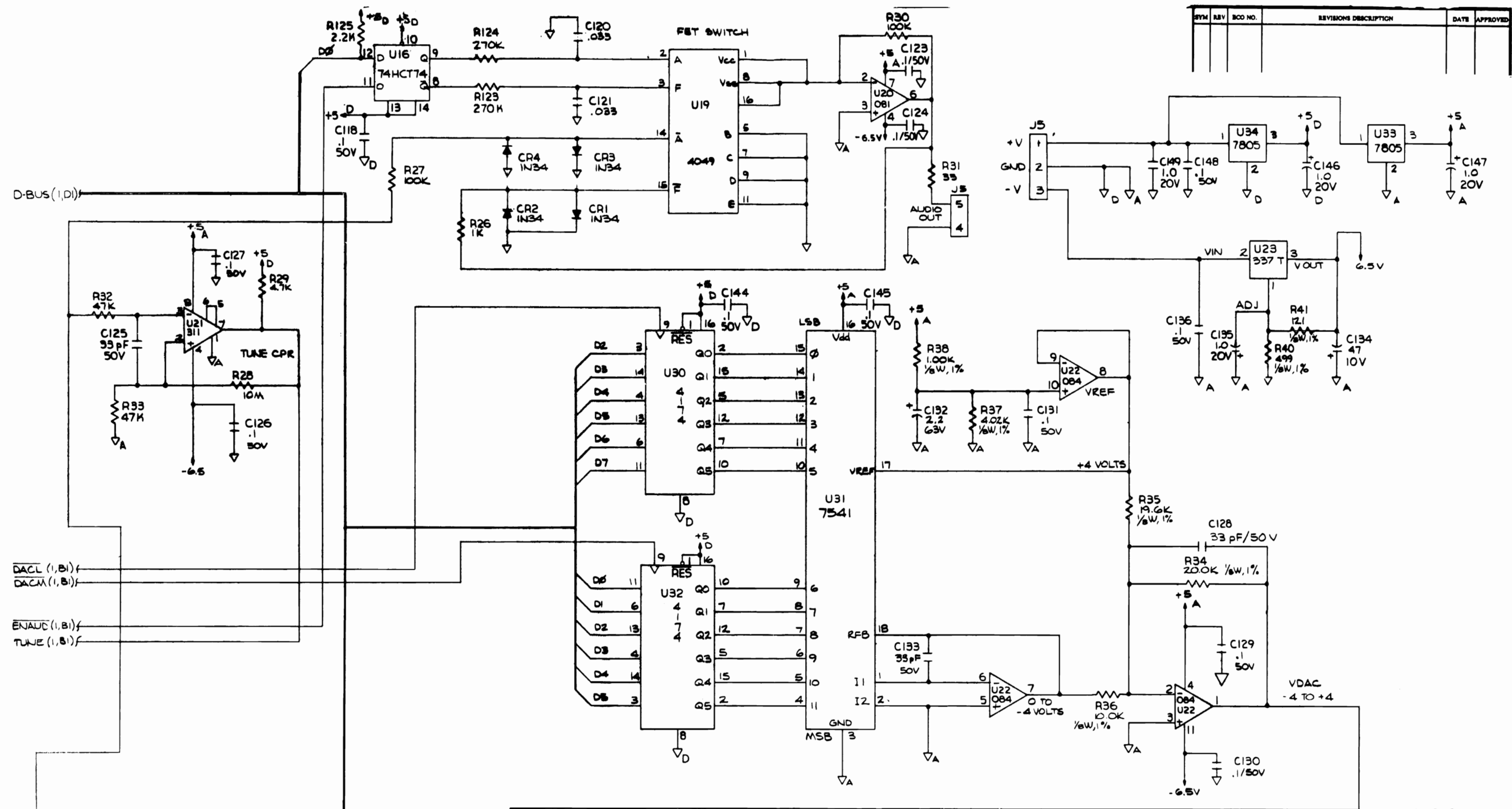
1051-00C52-B016

ITEM	DESCRIPTION/MATERIAL	QTY
<p>UNLESS OTHERWISE SPECIFIED DIMENSIONS ARE IN INCHES TOLERANCES ON ANGLES = ± 1°</p> <p>SURFACE FINISH: X = ± .01, XX = ± .03, XXX = ± .010</p>		
DASH NO.	NEXT ASSY NO.	USED ON
<p>DO NOT SCALE DRAWING</p> <p>DRAWN BY: L. PERCIVAL DATE: 1/24/89</p> <p>CHECKED BY: L. FORTE DATE: 1/27/89</p> <p>ENGINEER</p> <p>MFG ENGINEER</p> <p>PROJECT ENGINEER</p>		
<p>PIZZA TIME THEATRE INC. 1213 INNSBRUCK DR. SUNNYVALE, CA 94086</p>		<p>TITLE: SCHEMATIC, AUDIO, 6VB</p>
SIZE: D	DRAWING NO: 008-8002-10-0B	REV: B1
SCALE: NONE	SHEET: 1	OF: 3

WORKING NOTE: TO AVOID PART MISMATCH, ALL PARTS MUST BE MARKED WITH PART NUMBER EXCEPT WHERE SIZE OR QUANTITY WARRANTS THIS AND TAG IF UNCERTAIN. CONTACT BUYER PRIOR TO PURCHASE.

NOTICE TO ALL PERSONS RECEIVING THIS DRAWING: CONFIDENTIAL. Reproductions For Ideas without the specific written permission of Pizza Time Theatre Inc. of Sunnyvale, California. This drawing is not conditionally issued, and neither receipt nor possession of the original or transfers any right in, or, reuse to use, the patent matter of the drawing or any design or technical information shown thereon, nor any right to reproduce this drawing, or any part thereof, except for manufacture by vendors of Pizza Time Theatre Inc. and for manufacture under the corporation's written license. No right to reproduce this drawing is granted or the subject matter thereof unless by written agreement or written permission from the corporation.

SYM	REV	ECO NO.	REVISIONS DESCRIPTION	DATE	APPROVED



D-BUS (1,D1)

DA1 (1,B1)
DA2 (1,B1)
ENAUD (1,B1)
TUNE (1,B1)

R39 (3,08)
(3,08)

D-BUS (3,D1)

U12, PIN 3 (3,08)

M051-00C52- B016

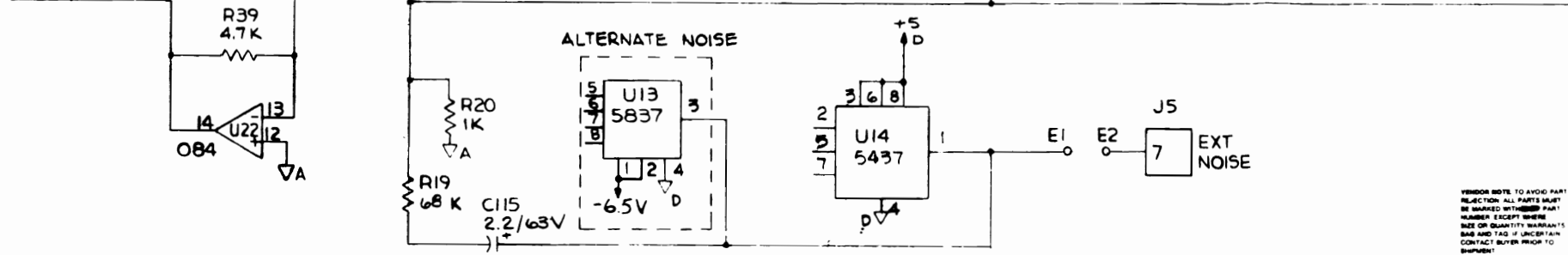
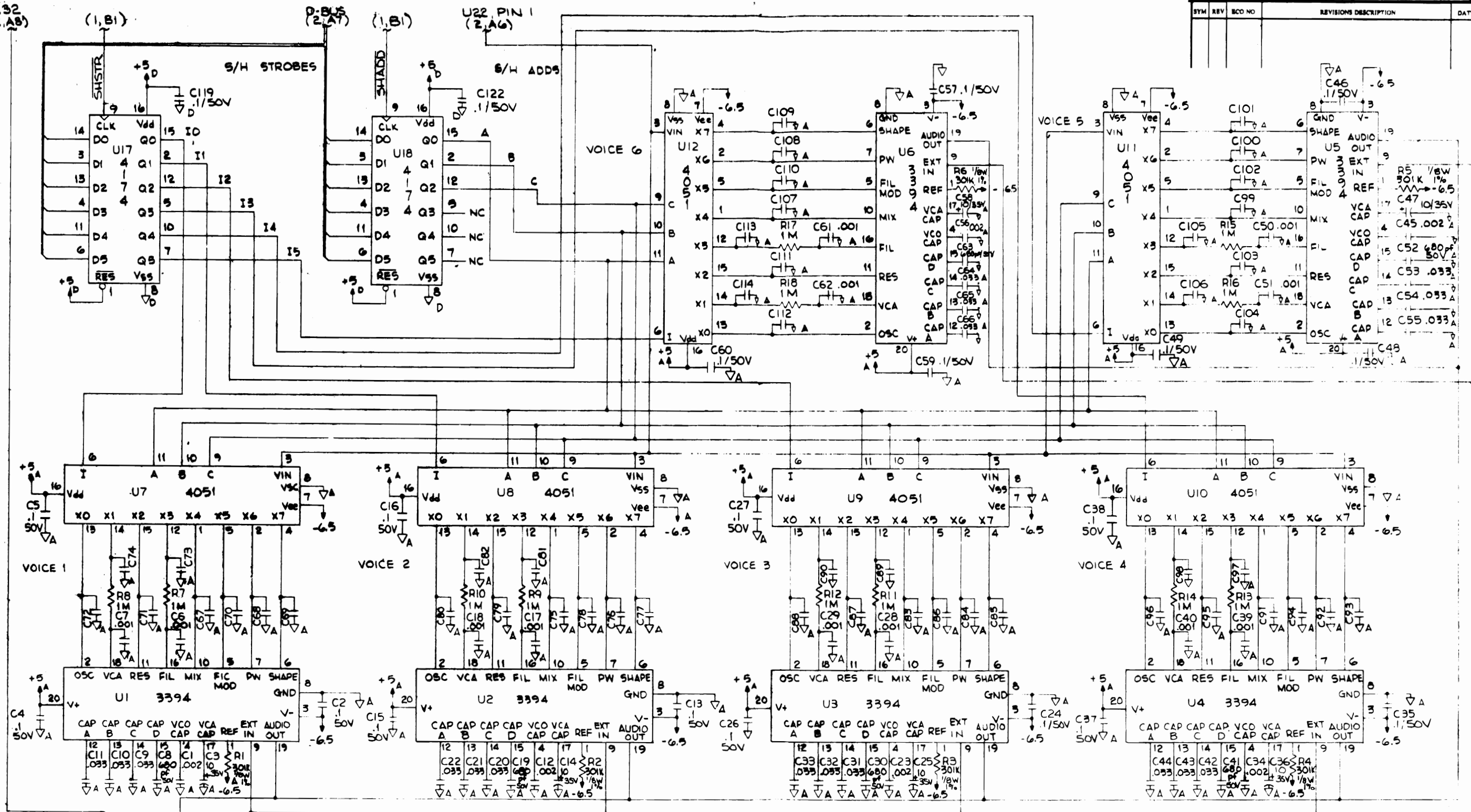
ITEM	DESCRIPTION/MATERIAL	QTY
UNLESS OTHERWISE SPECIFIED DIMENSIONS ARE IN INCHES TOLERANCES ON ANGLES = ± 1°		
DASH NO	NEXT ASSY NO	USED ON
MATERIAL		
FINISH		
DO NOT SCALE DRAWING		
DRAWN BY	DATE	
CHECKED	ENGINEER	
MFG ENGINEER	PROJECT ENGINEER	
Pizza Time Theatre Inc. 1813 Innsbruck Dr. Sunnyvale, CA 94086 © 1978 Pizza Time Theatre Inc.		
TITLE		
SCHEMATIC, AUDIO		
6VB		
SIZE	DRAWING NO	REV
D	008-8002-10-08	B1
SCALE	NONE	SHEET 2 OF 3

REVISION NOTE TO AVOID PART REACTION: ALL PARTS MUST BE MARKED WITH PART NUMBER EXCEPT WHERE SIZE OR QUANTITY VARIANTS ARE AND TAB IF UNCERTAIN CONTACT BUYER PRIOR TO SHIPMENT

NOTICE TO ALL PERSONS RECEIVING THIS DRAWING: CONFIDENTIAL. Reproduction Forbidden without the specific written permission of Pizza Time Theatre Inc. of Sunnyvale, California. This drawing is only conditionally loaned, and neither receipt nor possession thereof confers or transfers any right in, or license to use, the subject matter of the drawing or any design or technical information shown thereon, nor any right to reproduce this drawing or any part thereof, except for manufacture by vendors for Pizza Time Theatre Inc. and for manufacture under the corporation's written license. No right to reproduce this drawing is granted or the subject matter thereof unless by written agreement with or written permission from the corporation.

R32 (2, A8)

SYM	REV	ECO NO	REVISIONS DESCRIPTION	DATE	APPROVED



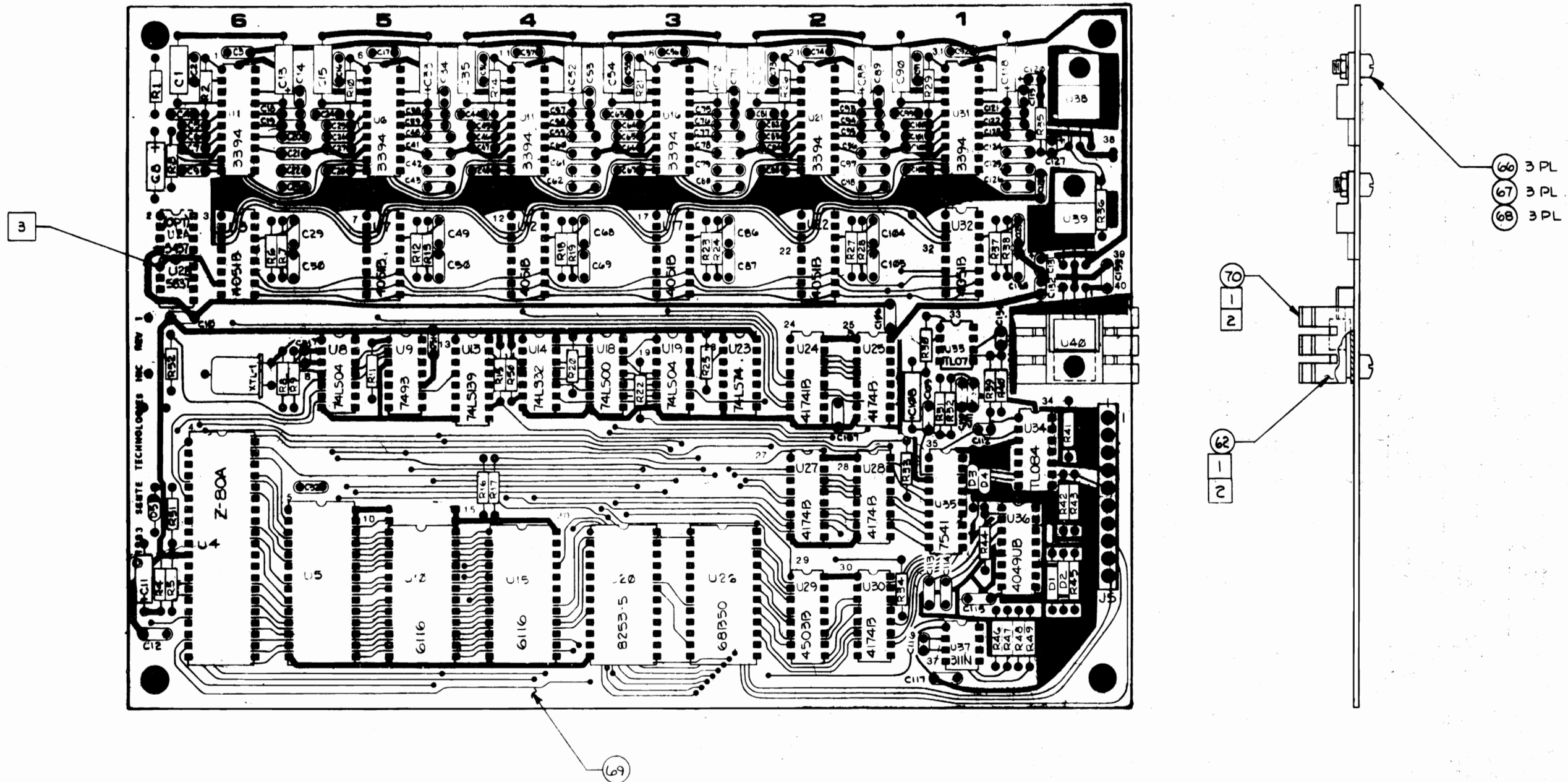
M051-00C52-B016

ITEM	DESCRIPTION/MATERIAL	QTY
	UNLESS OTHERWISE SPECIFIED DIMENSIONS ARE IN INCHES TOLERANCES: ANGLES: SURFACE FINISH: MATERIAL: FINISH:	
DO NOT SCALE DRAWING		
DRAWN BY: DATE:		
CHECKED: ENGINEER: MFG. ENGINEER: PROJECT ENGINEER:		
Pizza Time Theatre Inc. 1213 Innsbruck Dr. Sunnyvale, CA 94086		
TITLE: SCHEMATIC, AUDIO, 6VB		
SIZE: D	DRAWING NO: 008-8002-10-03	REV: B1
SCALE: NONE	SHEET: 3	OF: 3

REVISIONS: TO AVOID PART REVISIONS, ALL PARTS MUST BE MARKED WITH PART NUMBER EXCEPT WHERE SIZE OR QUANTITY WARRANTS. SEE AND TAG IF JUNCTION CONTACT BURN IN TO IMPROVE.

NOTICE TO ALL PERSONS RECEIVING THIS DRAWING: THIS DRAWING IS CONFIDENTIAL. REPRODUCTION, FORFEITURE WITHOUT THE SPECIFIC WRITTEN PERMISSION OF PIZZA TIME THEATRE INC., SUNNYVALE, CALIFORNIA. THIS DRAWING IS NOT TO BE LOANED, COPIED, REPRODUCED, OR TRANSMITTED IN ANY MANNER OR BY ANY MEANS, ELECTRONIC OR MECHANICAL, INCLUDING PHOTOCOPYING, RECORDING, OR BY ANY INFORMATION STORAGE AND RETRIEVAL SYSTEM. WITHOUT THE WRITTEN PERMISSION OF PIZZA TIME THEATRE INC., NO PART OF THIS DRAWING IS TO BE REPRODUCED OR TRANSMITTED IN ANY MANNER OR BY ANY MEANS, ELECTRONIC OR MECHANICAL, INCLUDING PHOTOCOPYING, RECORDING, OR BY ANY INFORMATION STORAGE AND RETRIEVAL SYSTEM.

SYM	REV	ECO NO	REVISIONS DESCRIPTION	DATE	APPROVED	
	1		PROTOTYPE	7/1/83	[Signature]	
	A	1892	PRODUCTION RELEASE	1/19/83	[Signature]	
	1	A	1900	ADDED NOTE 3, REVERSED POLARITY OF C8.	2/1/83	[Signature]
	B	1924	ADDED 2 HEATSINKS, ITEMS 62 & 70	2/25/83	[Signature]	



NOTES:

- 1 FASTEN U40 (ITEM 53) TO HEATSINK (ITEM 62), HEATSINK (ITEM 70) AND PCB (ITEM 69), WITH HARDWARE (ITEM 66, 67 & 68) BEFORE SOLDERING TO PCB.
- 2 APPLY HEATSINK COMPOUND TO HEATSINK (ITEM 62) & HEATSINK (ITEM 70) PRIOR TO MOUNTING.
- 3 SHORT PIN 1 TO PIN 2 OF U2B, AND MOUNT C8 AS SHOWN TO USE AMI 2688 (5837 EQUIV)

M051-00C52-B015

ITEM		DESCRIPTION/MATERIAL		QTY
10	000-8011-10	UNLESS OTHERWISE SPECIFIED DIMENSIONS ARE IN INCHES TOLERANCES ON ANGLES = ± 1°		
DASH NO		NEXT ASSY NO		
USED ON		SURFACE FINISH: ✓		
MATERIAL		SEE L/M		
FINISH				
DO NOT SCALE DRAWING		DRAWN BY: C. W. [Signature] DATE: 9-8-83		
CHECKED: L. Forte 11/14/83		ENGINEER: [Signature] 11/28/83		
MFG ENGINEER: [Signature] 11/24/83		PROJECT ENGINEER		
TITLE: PCB ASSEMBLY, AUDIO, 6VP		DRAWING NO: D006-8002-10-0B		
SCALE: 2:1		SHEET 1 OF 4		

Chuck Chessis Pizza Time Theatre Inc. 1813 Innsbruck Dr. Sunnyvale, CA 94086 © 1978 Pizza Time Theatre Inc.

VENDOR NOTE TO AVOID PART REJECTION ALL PARTS MUST BE MARKED WITH PART NUMBER EXCEPT WHERE SIZE OR QUANTITY WARRANTS BAG AND TAG IF UNCERTAIN CONTACT BUYER PRIOR TO SUPPLY

NOTE TO ALL PERSONS RECEIVING THIS DRAWING: UNLESS OTHERWISE SPECIFIED DIMENSIONS ARE IN INCHES TOLERANCES ON ANGLES = ± 1° SURFACE FINISH: ✓ UNLESS OTHERWISE SPECIFIED DIMENSIONS ARE IN INCHES TOLERANCES ON ANGLES = ± 1° SURFACE FINISH: ✓

PCB ASSEMBLY, AUDIO 6VB
(006-8002-10-0B) (M051-00C52-B015)
PARTS LIST - SHEET 2 of 4

ITEM	QTY.	PART NO.	REFERENCE	DESCRIPTION
1	2	400-1001-01	R1,R44	RES,CF,1/4W,5%,1K OHM
2	1	400-6802-01	R3	RES,CF,1/4W,5%,68K OHM
3	5	400-1003-01	R4,5,42,45,51	RES,CF,1/4W,5%,100K OHM
4	12	400-1004-01	R6,7,12,13	RES,CF,1/4W,5%,1.0M OHM
5	3	400-3300-01	R8,9,11	RES,CF,1/4W,5%,330 OHM
6	6	400-2001-01	R15,16,17,20,22,50	RES,CF,1/4W,5%,2.0K OHM
7	3	400-4701-01	R25,41,46	RES,CF,1/4W,5%,4.7K OHM
8	2	400-4702-01	R48,49	RES,CF,1/4W,5%,47K OHM
9	1	400-3307-01	R43	RES,CF,1/4W,5%,33 OHM
10	1	401-1005-01	R47	RES,CC,1/4W,5%,10M OHM
11	6	450-3013-01	R2,10,14,21,26,29	RES,MF,1/8W,1%,301K OHM
12	1	450-1962-01	R40	RES,MF,1/8W,1%,19.6K OHM
13				
14	1	450-2002-01	R30	RES,MF,1/8W,1%,20.0K OHM
15	1	450-4021-01	R31	RES,MF,1/8W,1%,4.02K OHM
16	1	450-1001-01	R32	RES,MF,1/8W,1%,1.00K OHM
17	1	450-1210-01	R35	RES,MF,1/8W,1%,121 OHM
18	1	450-4990-01	R36	RES,MF,1/8W,1%,499 OHM
19	1	450-1002-01	R39	RES,MF,1/8W,1%,10.0K OHM
20				
21	12	330-0005-01	C14,18,34,38,53, 57,71,75,89,93,119, 121	CAP,PES,RAD,0.001UF, 100V,10%
22	6	330-0009-01	C1,15,35 54,72,90	CAP,PST,AXL,0.002UF, 100V,5%
23	48	330-0006-01	C2,5,6,7,9,16,23,25, 26,27,28,29,30,36,43, 45,46,47,48,49,50,55, 62,64,65,66,67,68,69, 73,80,82,83,84,85,86, 87,91,98,100,101,102, 103,104,105,126,129, 130	CAP,PES,RAD,0.01UF,100V, 10%
24	20	330-0007-01	C20,21,22,40,41,42, 59,60,61,77,78,79,95, 96,97,113,114,123, 124,125	CAP,PES,RAD,0.033UF,100V 10%
25	3	300-0011-01	C112,116,134	CAP,CER,RAD,33PF,50V,10%
26	7	300-0012-01	C19,31,39,58,76,94, 122	CAP,CER,RAD,680PF,50V,5%
27	25	300-0002-01	C3,4,10,12,17,24,32, 37,44,51,56,63,74,81, 92,99,106,107,109, 110,111,115,117,128, 133	CAP,CER,RAD,0.1UF,50V,20%
28	3	310-0012-01	C127,131,132	CAP,TAN,RAD,1.0UF,25V,20%
29	3	340-0016-01	C8,11,108	CAP,ELC,AXL,2.2UF,63V,50/ 10%

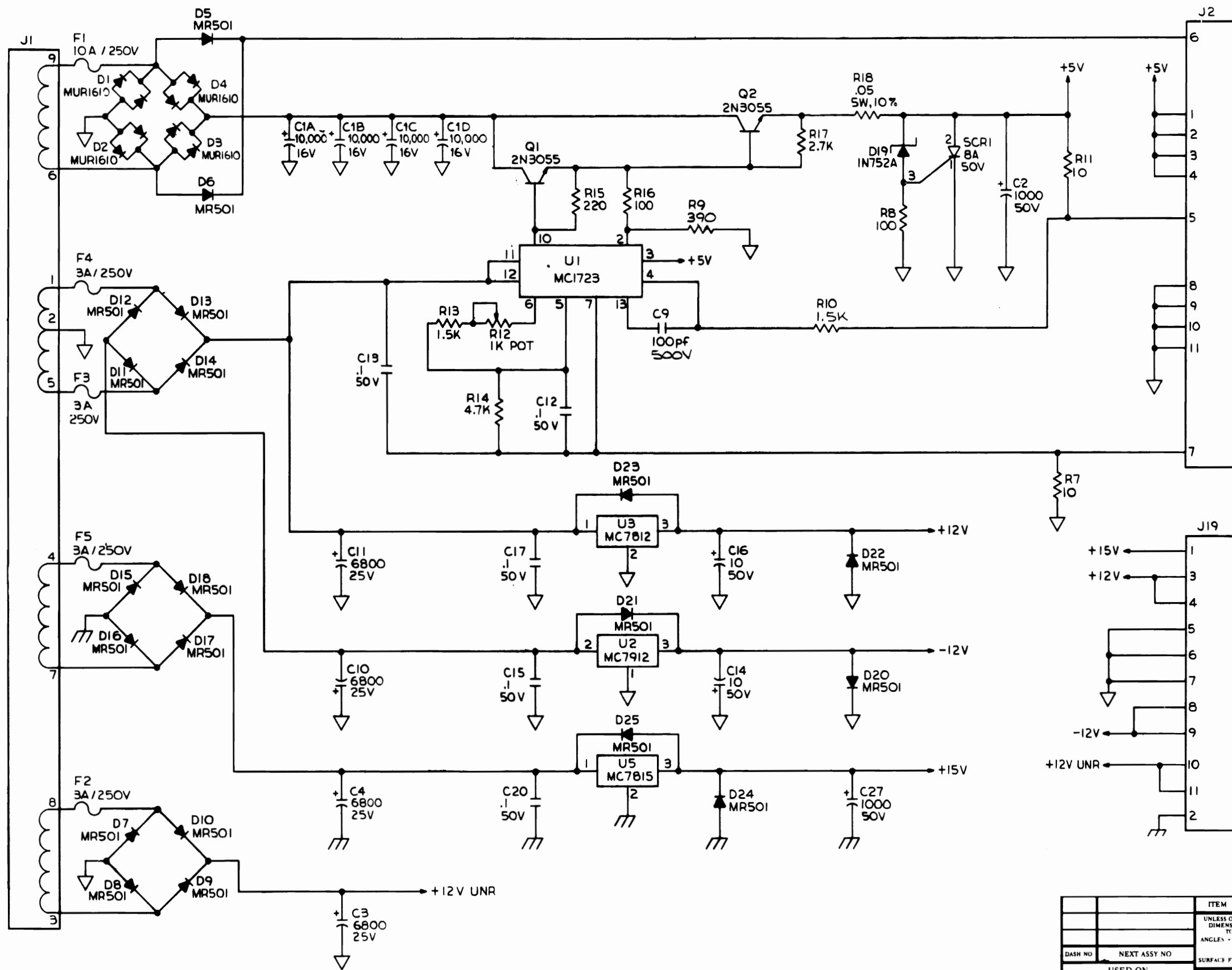
PCB ASSEMBLY, AUDIO 6VB
(006-8002-10-0B) (M051-00C52-B015)
PARTS LIST - SHEET 3 of 4

ITEM	QTY.	PART NO.	REFERENCE	DESCRIPTION
30	6	340-0017-01	C13,33,52,70,88,118	CAP,ELC,AXL,10UF,35V,50/ 10%
31	6	260-0033-01	U1,6,11,16,21,31	IC,SP,SOUND,SYNTH,CEM, 3394
32	5	210-0007-01	U24,25,27,28,30	IC,DIG,CMOS,4174B,HEX D F/F
33	6	210-0006-01	U3,7,12,17,22,32	IC,DIG,CMOS,4051B,8 CHAN MUX
34	1	210-0005-01	U36	IC,DIG,CMOS,4049UB,HEX INVERT
35	1	260-0029-01	U34	IC,LIN,OPAMP,TL084,QUAD, JFET
36	1	260-0031-01	U35	IC,SP,DAC 12 BIT, 7541
37	1	260-0007-01	U37	IC,LIN,COMP,LM311N
38	1	260-0037-01	U33	IC,LIN,OPAMP,TL071,JFET, INPUT
39	1	210-0008-01	U29	IC,DIG,CMOS,4503B,HEX TS BUFFER
40	1	260-0040-01	U2	IC,SP,NOISE SOURCE MM5837
41	1	200-0039-01	U18	IC,DIG,TTL,74LS00,NAND GATE
42	2	200-0041-01	U8,19	IC,DIG,TTL,74LS04,HEX INVERTER
43	1	200-0043-01	U14	IC,DIG,TTL,74LS32,OR GATE
44	1	200-0044-01	U23	IC,DIG,TTL,74LS74,DUAL D F/F
45	1	200-0074-01	U9	IC,DIG,TTL,7493,4 BIT COUNT
46	1	200-0049-01	U13	IC,DIG,TTL,74LS139,2-4 DECODER
47	1	250-0007-01	U4	IC,DIG,MPU,Z-80A
48				
49	2	240-0005-01	U10,15	IC,DIG,RAM,6116,2KX8, 200NS
50	1	250-0008-01	U20	IC,DIG,MPS,8253-5,TIMER
51	1	250-0010-01	U26	IC,DIG,MPS,68B50,ACIA .75MHZ
52	1	260-0027-01	U38	IC,LIN,VR,337T,VARIABLE NEG.
53	1	260-0028-01	U40	IC,LIN,VR,78M05CT,5V POS
54	1	260-0008-01	U39	IC,LIN,VR,7805,5V POS
55	4	100-0006-01	D1,2,3,4	DIO,GR,50MA,75PIV,IN34
56	1	550-0062-01	J5	CONN 10 PIN LOCKING 09-74-1101
57	4	510-0019-01	U10,15,20,26	SOCKET,IC,24P,LOW PRO
58	1	510-0020-01	U5	SOCKET,IC,28P,LOW PRO
59	1	510-0021-01	U4	SOCKET,IC,40P,LOW PRO
60	1	100-0002-01	D5	D10,S1,10MA,75 PIV,IN914

PCB ASSEMBLY, AUDIO 6VB
 (006-8002-10-0B) (M051-00C52-B015)
 PARTS LIST - SHEET 4 of 4

ITEM	QTY.	PART NO.	REFERENCE	DESCRIPTION
61	1	820-0003-01	XTL-1	CRYSTAL 8.000MHZ
62	1	850-0007-01	HS-1	HEATSINK, THM-6070
63	1	310-0015-01	C120	CAP, TANT, RAD, 47UF, 15V, 20%
64	2	400-2703-01	R33, 34	RES, CF, 1/4W, 5%, 270K OHM
65	1	400-2700-01	R52	RES, CF, 1/4W, 5%, 270 OHM
66	3	801-0632-06-01		SCREW PAN HD-PHIL 6-32X 3/8
67	3	822-0006-00-01		WASHER SPLITLOCK 6
68	3	816-0632-00-01		NUT, HEX, SM PAT, 6-32
69	1	007-8002-01-0A		PCB, FAB, AUDIO, 6VB
70	1	850-0008-01	HS-2	HEATSINK, THM-6071

SYM	REV	ECO NO	REVISIONS DESCRIPTION	DATE	APPROVED
A	1984		PRODUCTION RELEASE		
B	1998		RELEASED REDESIGNED PCB	1/2/98	



- NOTES: UNLESS OTHERWISE SPECIFIED
1. ALL RESISTORS ARE IN OHMS, 1/4W, 5%.
 2. ALL CAPACITORS ARE IN MICROFARADS.
 3. LAST REFERENCE DESIGNATORS USED: R25, C27, D25, U6, Q2, F5, J19, SCRI.
 4. HEAT SINK ATTACHED TO AUDIO GROUND.
 5. = AUDIO GND
 = GND

M051-00C52 - B018

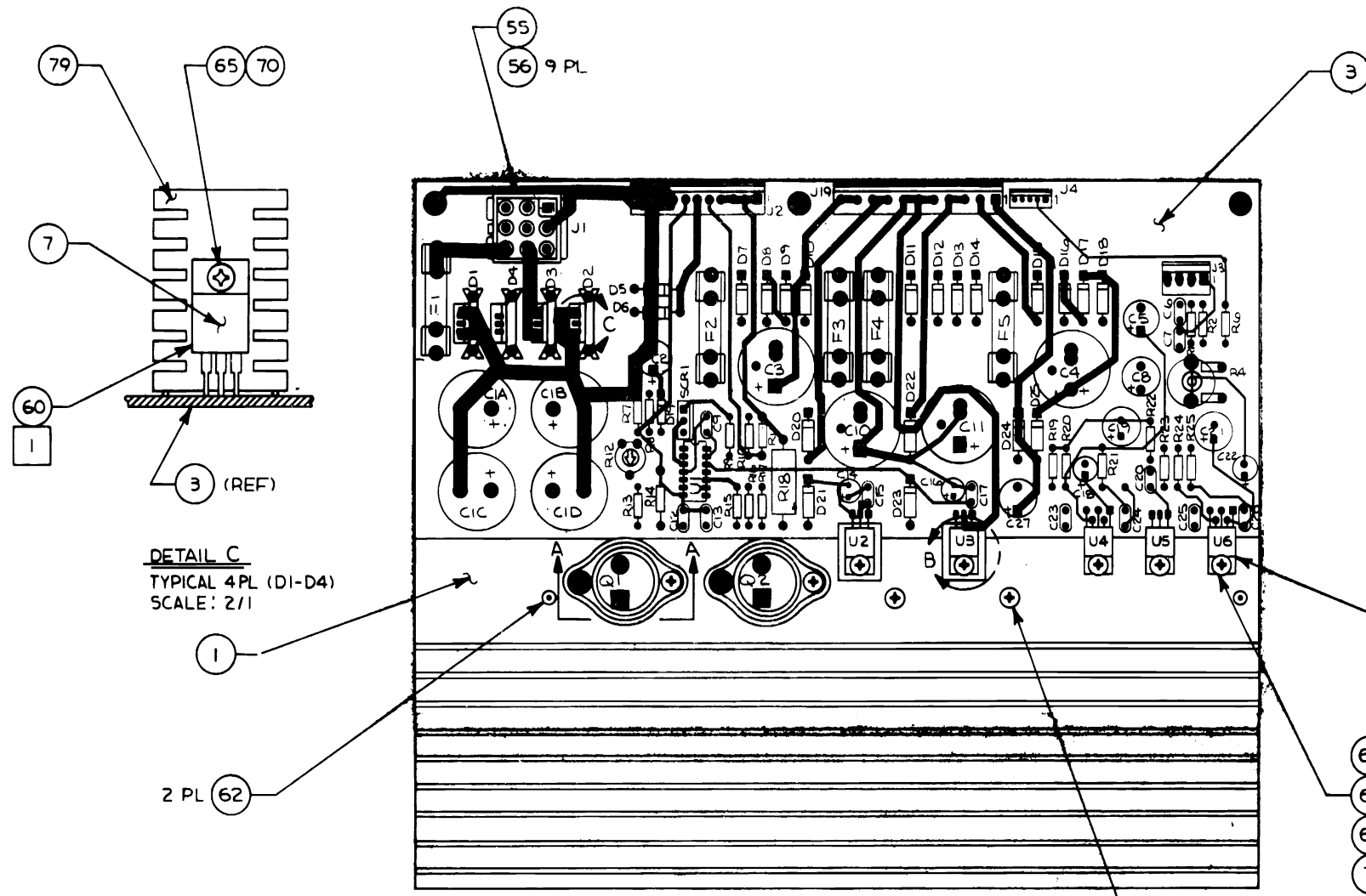
ITEM	DESCRIPTION/MATERIAL	QTY
	UNLESS OTHERWISE SPECIFIED: DIMENSIONS ARE IN INCHES TOLERANCES ON ANGLES: ± 1°	
	DO NOT SCALE DRAWING	
DASH NO	NEXT ASSY NO	
USED ON	SURFACE FINISH: 3 - 1 00 XXX - 7 010	
MATERIAL	DRAWN BY: L. PERCIVAL DATE: 2/22/84	
FINISH	CHECKED BY: L. FORTE DATE: 2/29/84	
	ENGINEER	
	MFG ENGINEER	
	PROJECT ENGINEER	
TITLE: SCHEMATIC, LINEAR POWER SUPPLY		
SIZE: D	DRAWING NO: 008-8009-10-0B	REV: B
SCALE: NONE	SHEET: 1	OF: 2

VISION NOTE TO AVOID PART REJECTION ALL PARTS MUST BE MARKED WITH PART NUMBER EXCEPT WHERE SIZE OR QUANTITY WARRANTS AND TAG IF UNCERTAIN CONTACT BUYER PRIOR TO SHIPMENT

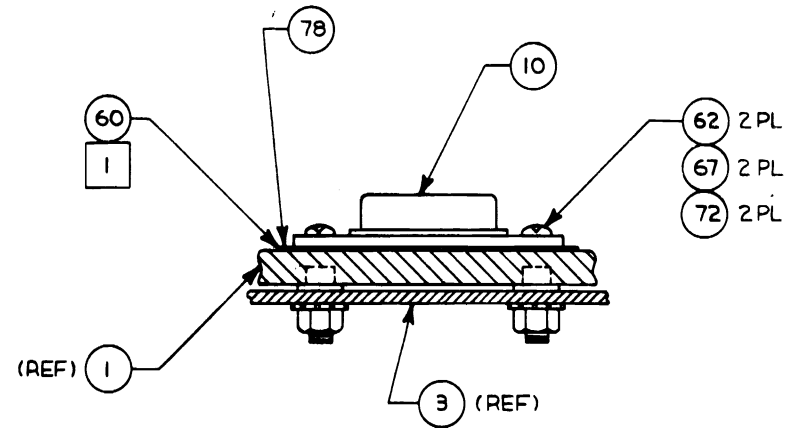
NOTICE TO ALL PERSONS RECEIVING THIS DRAWING: CONFIDENTIAL. Reproduction Forbidden without the specific written permission of Pizza Time Theatre Inc. of Sunnyvale, California. This drawing is only conditionally issued and neither receipt nor possession thereof confers or transfers any right in, or license to use, the subject matter of the drawing or any design or technical information shown thereon, nor any right to reproduce this drawing or any part thereof, except for manufacture by vendors for Pizza Time Theatre Inc. and for manufacture under the corporation's written license. No right to reproduce this drawing is granted or the subject matter thereof unless by written agreement with or written permission from the corporation.

Pizza Time Theatre Inc.
1213 Innsbruck Dr.
Sunnyvale, CA 94086
© 1978 Pizza Time Theatre Inc.

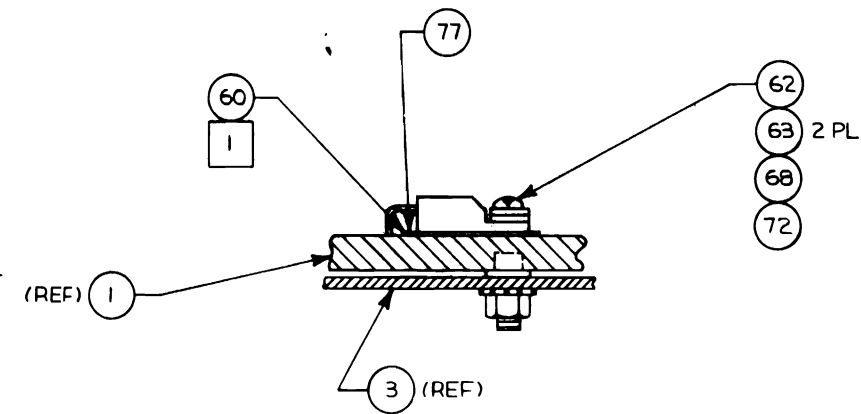
SYM	REV	ECO NO.	REVISIONS DESCRIPTION	DATE	APPROVED
	B	1998	RELEASED REDESIGNED PCB	9/24/84	MB



DETAIL C
TYPICAL 4 PL (D1-D4)
SCALE: 2/1



VIEW A-A
TYPICAL 2 PL (Q1, Q2)
SCALE: 2/1



DETAIL B
TYPICAL 2 PL (U2, U3)
SCALE: 2/1

NOTES: UNLESS OTHERWISE SPECIFIED

- 1 APPLY HEATSINK COMPOUND (ITEM 60) ON BOTH SIDES OF INSULATOR (ITEM 78) AT Q1 AND Q2, AND ON BOTH SIDES OF INSULATOR (ITEM 77) AT U2 AND U3. APPLY BETWEEN HEATSINK AND COMPONENT AT U4, U5, U6, D1, D2, D3 AND D4.

M051-00C52-B017

ITEM	DESCRIPTION/MATERIAL	QTY
10	000-8011-10	
DASH NO	NEXT ASSY NO	
USED ON		
MATERIAL	SEE L/M	
FINISH		
UNLESS OTHERWISE SPECIFIED DIMENSIONS ARE IN INCHES. TOLERANCES ON ANGLES = ± 1°		
DO NOT SCALE DRAWING		
DRAWN BY	DATE	
L. PERCIVAL	9/13/84	
CHECKED	DATE	
L. FORTE	9/19/84	
ENGINEER		
SUP. ENGINEER		
PROJECT ENGINEER		
TITLE		
PCB ASSY, LINEAR POWER SUPPLY		
SIZE	DRAWING NO	REV
D	006-8009-10-OB	B
SUNNYVALE & HUNTER		SHEET 1 OF 3

VENDOR NOTE TO AVOID PART REJECTION: ALL PARTS MUST BE MARKED WITH THE PART NUMBER EXCEPT WHEN SIZE OR QUANTITY WARRANTS BAG AND TAG IF UNCERTAIN CONTACT BUYER PRIOR TO SHIPMENT

NOTICE TO ALL PERSONS RECEIVING THIS DRAWING: CONFIDENTIAL. Reproduction Forbidden without the specific written permission of Pizza Time Theatre Inc., Sunnyvale, California. This drawing is only conditionally issued, and neither receipt nor possession thereof confers or transfers any right in or license to use the subject matter of the drawing or any design or technical information shown thereon, nor any right to reproduce this drawing or any part thereof, except for manufacture by vendors for Pizza Time Theatre Inc. and its manufacturer under the corporation's written license. No right to reproduce this drawing is granted in the subject matter thereof unless by written agreement with or written permission from the corporation.

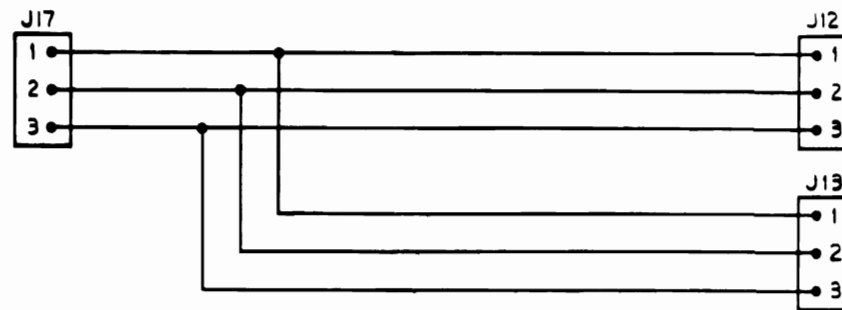
PCB ASSEMBLY, LINEAR POWER SUPPLY
(006-8009-10-0B) (M051-00C52-B017)
PARTS LIST - SHEET 2 of 3

ITEM	QTY.	PART NO.	REFERENCE	DESCRIPTION
1	1	001-8076-01-0B		HEATSINK,E-368/#5555
2				
3	1	007-8009-10-0B		PCB FAB, LINEAR PWR SPLY
4				
5	20	100-0008-01	D5-D18,D20-D25	D10,SI,3A,100 PIV,MR501
6				
7	4	105-0004-01	D1-D4	D10,RECTIFIER,16A, MUR1610 CT
8	1	110-0004-01	D19	D10,ZEN,5.6V,20MA,IN752A
9				
10	2	120-0004-01	Q1,Q2	XSTR,SI,NPN,2N3055
11				
12	1	160-0004-01	SCR1	SCR,8A,50V,C122F1
13				
14	2	260-0039-01	U4,U6	IC,LIN,SP,TDA2002,AUD AMP
15	1	260-0042-01	U2	IC,LIN,VR,MC7912,-12V, 3 POS
16	1	260-0043-01	U3	IC,LIN,VR,MC7812,+12V, 3 POS
17	1	260-0044-01	U5	IC,LIN,VR,MC7815,+15V, 3 POS
18	1	260-0045-01	U1	IC,LIN,VR,MC1723,SI,MONO
19				
20	9	300-0002-01	C6,C7,C12,C13,C15,C17, C20,C23,C25	CAP,CER,RAD,.1MF,50V
21	2	300-0001-01	C24,C26	CAP,CER,RAD,.022UF,50V, 20%
22	1	320-0007-01	C9	CAP,MIC,RAD,100PF,500V, 5%
23				
24	4	340-0026-01	C14,C16,C18,C22	CAP,ELC,RAD,10MF,50V,20%
25	2	340-0027-01	C19,C21	CAP,ELC,RAD,470MF,16V, -10%,+50%
26	4	340-0028-01	C1A,C1B,C1C,C1D	CAP,ELC,RAD,10.000MF,16V +10%,-30%
27	4	340-0029-01	C3,C4,C10,C11	CAP,ELC,RAD,6800MF,25V, -10%,+30%
28	4	340-0030-01	C2,C5,C8,C27	CAP,ELC,RAD,1000MF,50V, 20%
29				
30	2	400-1000-01	R8,R16	RES,CF,1/4W,5%,100 OHM
31	2	400-1008-01	R1,R2	RES,CF,1/4W,5%,1 OHM
32				
33	2	400-1007-01	R7,R11	RES,CF,1/4W,5%,10 OHM
34				
35	1	400-1501-01	R13,R10	RES,CF,1/4W,5%,1.5K OHM
36				
37	1	400-2200-01	R15	RES,CF,1/4W,5%,220 OHM

PCB ASSEMBLY, LINEAR POWER SUPPLY
(006-8009-10-0B) (M051-00C52-B017)
PARTS LIST - SHEET 3 of 3

ITEM	QTY.	PART NO.	REFERENCE	DESCRIPTION
38	2	400-2208-01	R19,R23	RES,CF,1/4W,5%,2.2 OHM
39				
40	1	400-2701-01	R17	RES,CF,1/4W,5%,2.7K OHM
41	1	400-3900-01	R9	RES,CF,1/4W,5%,390 OHM
42	2	400-4701-01	R6,R14	RES,CF,1/4W,5%,4.7K OHM
43	2	400-4707-01	R21,R25	RES,CF,1/4W,5%,47 OHM
44	1	480-0007-01	R12	RES,VAR,STR,TRIM,1K OHM
45	1	480-0008-01	R4	RES,VAR,STR,TRIM,100 OHM
46	3	410-2200-01	R20,22,24	RES,CF,1/2W,5%,220 OHM
47	1	440-0508-01	R18	RES,WW,5W,10%,.05 OHM
48				
49				
50	1	550-0067-01	J3	CONN,PC,4P,M,09-74-1041
51	1	550-0068-01	J4	CONN,PC,5P,M,22-23-2051
52				
53	1	550-0102-01	J2	CONN,PC,11P,M,09-74-1111
54	1	550-0103-01	J19	CONN,PC,11P,M,10-19-1111
55	1	550-0110-01	J1	CONN,PC,9P,PLG,19-09-2099
56	9	550-0111-01	J1	CONN,PIN,M,PC,02-09-8113
57				
58	10	580-0070-01	F1-F5	FUSE,CLIP,PC,1/4"
59				
60	A/R	790-0007-01		THERMAL JOINT COMPOUND
61				
62	13	800-0240-01		BUSHING,INSULATED,NYLON
63	10	800-0241-01	U2-U6	WSHR,RECTANGULAR,METAL,#6
64				
65	4	801-0440-04-01	D1-D4	SCREW,PH,PH,4-40 X 1/4"
66				
67	6	801-0632-08-01	Q1,Q2	SCREW,PH,PH,6-32 X 1/2"
68	5	801-0632-10-01	U2-U6	SCREW,PH,PH,6-32 X 5/8"
69				
70	4	812-0440-00-01	D1-D4	NUT,HEX,4-40
71				
72	11	813-0632-00-01		NUT,HEX,KEP,6-32
73				
74	4	830-0019-01	F2-F5	FUSE,3AG,3A,250V,FAST ACTING
75	1	830-0020-01	F1	FUSE,3AB,10A,250V,SLO-BLO
76				
77	2	850-0009-01	U2,U3	INSULATOR,MICA,TO-220
78	2	850-0010-01	Q1,Q2	INSULATOR,MICA,TO-3
79	4	850-0011-01	D1-D4	HEATSINK,PC MOUNT,VERT, TO-220

SYM	REV	ECO NO.	REVISIONS DESCRIPTION	DATE	APPROVED
	B	1994	DELETED UI, U2, R1 AND J1B	8/23/84	[Signature]



NOTES: UNLESS OTHERWISE SPECIFIED

- I. A. PINS 1&3 - AC POWER
- B. PIN 2 - CHASSIS GROUND

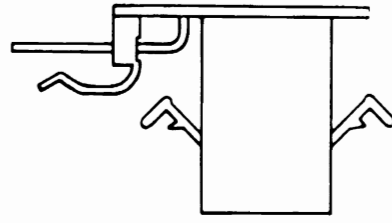
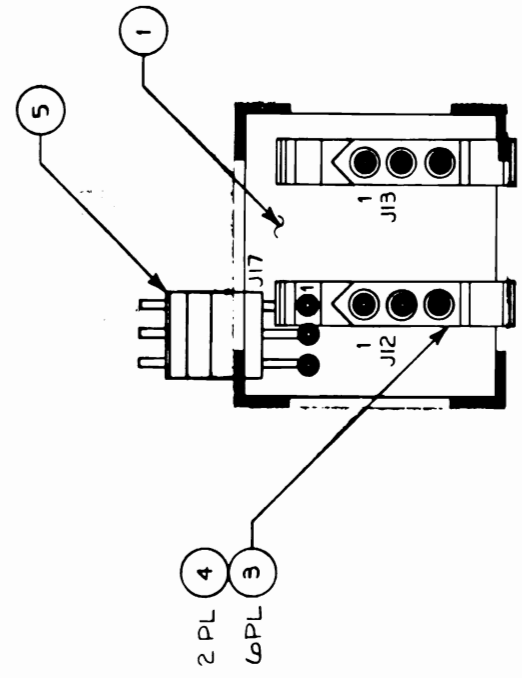
M051-00C47-A016

ITEM	DESCRIPTION/MATERIAL	QTY
<p>UNLESS OTHERWISE SPECIFIED DIMENSIONS ARE IN INCHES TOLERANCES ON ANGLES = 30°</p> <p>DO NOT SCALE DRAWING</p> <p>DRAWN BY: L. PERCIVAL DATE: 8/23/84</p> <p>CHECKED: L. FOETE DATE: 8/24/84</p> <p>ENGINEER: [Signature] DATE: 8/24/84</p> <p>MFG ENGINEER</p> <p>PROJECT ENGINEER</p>		
<p>PIZZA TIME THEATRE INC. 1213 INNSBRUCK DR. SUNNYVALE, CA 94086</p> <p>© 1978 PIZZA TIME THEATRE INC.</p>		
<p>TITLE: SCHEMATIC, AC SENSE</p>		
<p>SIZE: C DRAWING NO: 008-8006-01-0B</p>		<p>REV: B</p>
<p>SCALE: NONE SHEET 1 OF 1</p>		

VENUES REFER TO AVOID PART
REJECTION. ALL PARTS MUST
BE SHOWN WITH EXACT PART
NUMBER EXCEPT WHERE
NOTED. QUANTITY INDICATED
SHOULD BE TAB OF UNLESS
CONTACT SUPPLIER PRIOR TO
ORDERING.

NOTICE TO ALL PERSONS RECEIVING THIS DRAWING:
THIS DRAWING IS CONFIDENTIAL. REPRODUCTION, FURTHER
DISSEMINATION, OR DISTRIBUTION OF THIS DRAWING
WITHOUT THE EXPRESS PERMISSION OF PIZZA TIME THEATRE INC.
IS STRICTLY PROHIBITED. THE DRAWING IS ONLY VALID FOR
INTERNAL USE AND SHOULD NOT BE REPRODUCED OR
TRANSMITTED IN ANY MANNER. THE SUBJECT MATTER OF
THIS DRAWING IS THE PROPERTY OF PIZZA TIME THEATRE INC.
AND IS NOT TO BE REPRODUCED OR TRANSMITTED IN ANY
MANNER WITHOUT THE EXPRESS PERMISSION OF PIZZA TIME
THEATRE INC. ANY REPRODUCTION OR TRANSMISSION OF
THIS DRAWING WITHOUT THE EXPRESS PERMISSION OF PIZZA
TIME THEATRE INC. IS STRICTLY PROHIBITED.

REV	DATE	DESCRIPTION	APPROVED
B	1994	DELETED R1, U1, U2 AND JIB	



M051-00C47-A015

ITEM	DESCRIPTION/MATERIAL	QTY
10	000-BO11-10	
	NEXT ASSY NO	
	USED ON	
<small>NOTICE TO ALL PERSONS RECEIVING THIS DRAWING: THIS DRAWING IS THE PROPERTY OF PIZZA TIME THEATRE INC. AND IS NOT TO BE REPRODUCED OR TRANSMITTED IN ANY FORM OR BY ANY MEANS, ELECTRONIC OR MECHANICAL, INCLUDING PHOTOCOPYING, RECORDING, OR BY ANY INFORMATION STORAGE AND RETRIEVAL SYSTEM. WITHOUT THE WRITTEN PERMISSION OF PIZZA TIME THEATRE INC., NO PART OF THIS DRAWING IS TO BE REPRODUCED OR TRANSMITTED IN ANY FORM OR BY ANY MEANS, ELECTRONIC OR MECHANICAL, INCLUDING PHOTOCOPYING, RECORDING, OR BY ANY INFORMATION STORAGE AND RETRIEVAL SYSTEM. WITHOUT THE WRITTEN PERMISSION OF PIZZA TIME THEATRE INC., NO PART OF THIS DRAWING IS TO BE REPRODUCED OR TRANSMITTED IN ANY FORM OR BY ANY MEANS, ELECTRONIC OR MECHANICAL, INCLUDING PHOTOCOPYING, RECORDING, OR BY ANY INFORMATION STORAGE AND RETRIEVAL SYSTEM.</small>		
<small>UNLESS OTHERWISE SPECIFIED DIMENSIONS ARE IN INCHES TOLERANCES: ANGLES = ± 1° SURFACE FINISH: MAX = 0.004</small>		
<small>DO NOT SCALE DRAWING</small>		
<small>DATE: 8/23/84</small>		
<small>DRAWN BY: L. PERCIVAL</small>		
<small>CHECKED BY: L. F. C. TE</small>		
<small>DATE: 8/24/84</small>		
<small>PROJECT ENGINEER: [Signature]</small>		
<small>MPC ENGINEER: [Signature]</small>		
<small>PROJECT ENGINEER: [Signature]</small>		
<small>SIZE: C</small>		
<small>DRAWING NO: 006-8006-10-0B</small>		
<small>REV: B</small>		
<small>SCALE: 2/1</small>		
<small>SHEET 1 OF 2</small>		

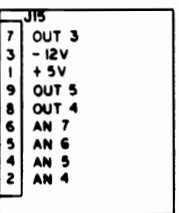
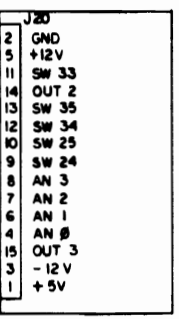
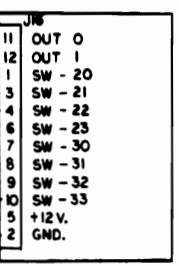
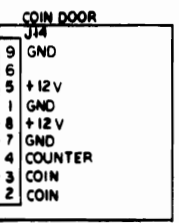
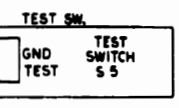
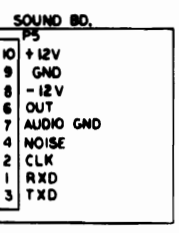
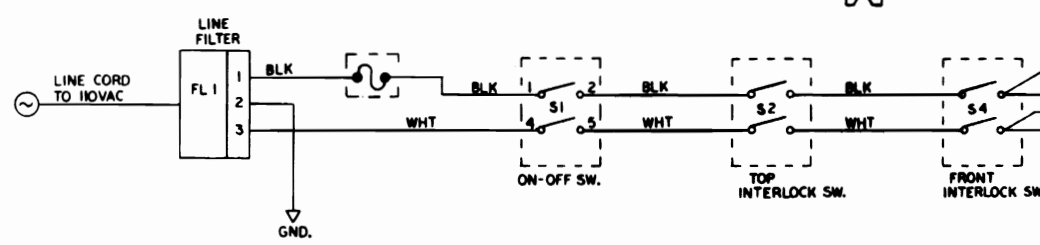
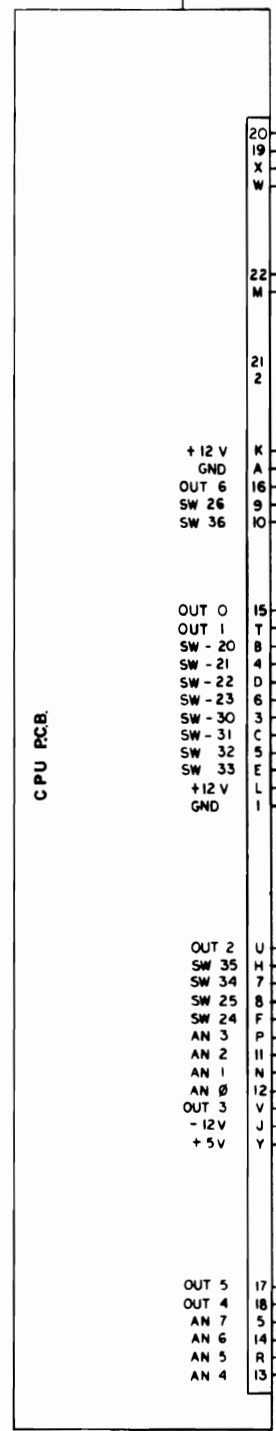
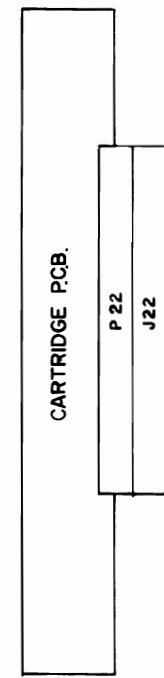
Pizza Time Theatre Inc.
 1913 Innbruck Dr.
 Sunnyvale, CA 94086

PCB ASSEMBLY, AC SENSE

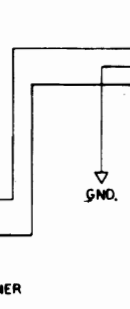
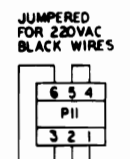
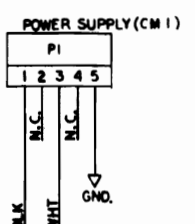
NOTICE TO ALL PERSONS RECEIVING THIS DRAWING: THIS DRAWING IS THE PROPERTY OF PIZZA TIME THEATRE INC. AND IS NOT TO BE REPRODUCED OR TRANSMITTED IN ANY FORM OR BY ANY MEANS, ELECTRONIC OR MECHANICAL, INCLUDING PHOTOCOPYING, RECORDING, OR BY ANY INFORMATION STORAGE AND RETRIEVAL SYSTEM. WITHOUT THE WRITTEN PERMISSION OF PIZZA TIME THEATRE INC., NO PART OF THIS DRAWING IS TO BE REPRODUCED OR TRANSMITTED IN ANY FORM OR BY ANY MEANS, ELECTRONIC OR MECHANICAL, INCLUDING PHOTOCOPYING, RECORDING, OR BY ANY INFORMATION STORAGE AND RETRIEVAL SYSTEM.

PCB ASSEMBLY, AC SENSE
 (006-8006-10-0B) (M051-00C47-A015)
PARTS LIST (Page 2 of 2)

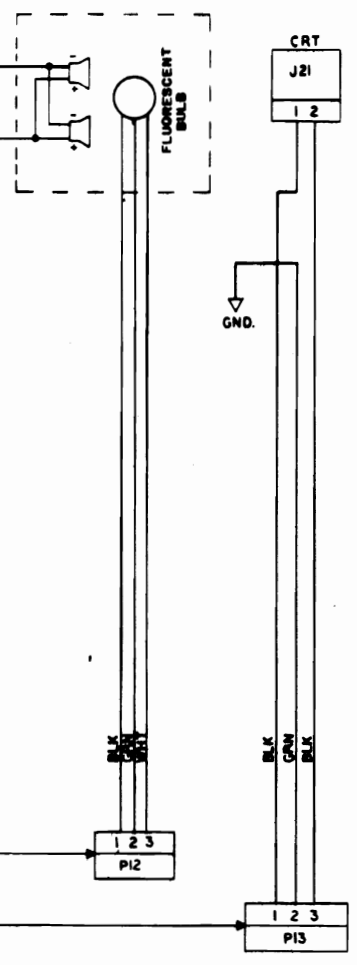
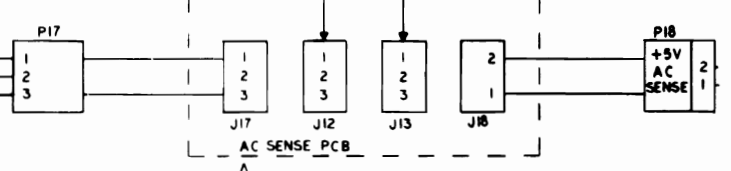
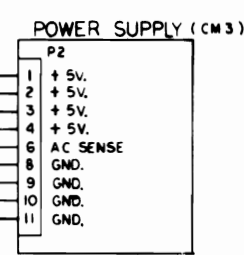
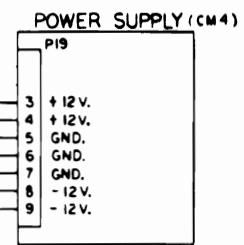
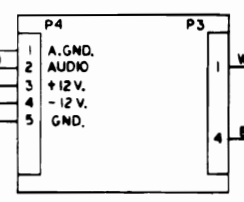
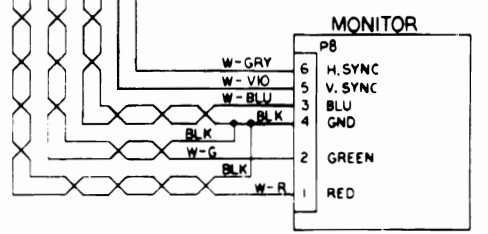
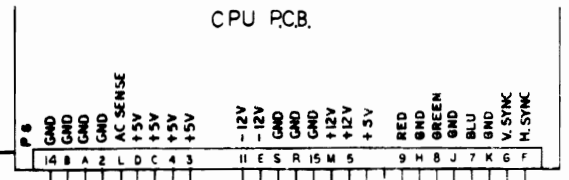
ITEM	QTY.	PART NO.	REFERENCE	DESCRIPTION
1	1	007-8006-01-0B		PCB FAB, AC SENSE
2				
3	6	550-0018-01		CONN,PC,F,PINS,MLX 02-09-1134
4	2	550-0069-01	J12,J13	CONN,PC,3P,F,MLX 03-09-1031
5	1	550-0087-01	J17	CONN,PC,3P,M,MLX 09-75-1038



SACIA + CT
WIRING DIAGRAM * MOSI-00C47-A003



- NOTES
1 ALL A.C. WIRES ARE 18AWG
2 ALL POWER SUPPLY OUTPUTS ARE 20 AWG
3 ALL OTHER SIGNALS ARE 22 AWG,
VIDEO TWISTED PAIRS ARE 24 AWG.



WARNING

THIS GAME MUST BE GROUNDED. FAILURE TO DO SO MAY RESULT IN DESTRUCTION TO ELECTRONIC COMPONENTS.

WARNING: This equipment generates, uses, and can radiate radio frequency energy and if not used in accordance with the instructions manual, may cause interference to radio communications. It has been tested and found to comply with the limits for a CLASS A computing device pursuant to SUBPART J of PART 15 of FCC RULES, which are designed to provide reasonable protection against such interference when operated in a commercial environment. Operation of this equipment in a residential area is likely to cause interference in which case the user at his own expense will be required to take whatever measures may be required to correct the interference.

ELECTRICAL BULLETIN: FOR ALL APPARATUS COVERED BY THE CANADIAN STANDARDS ASSOCIATION (CSA) STANDARD C22.2 NO. 1, WHICH EMPLOYS A SUPPLY CORD TERMINATED WITH A POLARIZED 2-PRONG ATTACHMENT PLUG.

CAUTION: TO PREVENT ELECTRIC SHOCK DO NOT USE THIS (POLARIZED) PLUG WITH AN EXTENSION CORD, RECEPTACLE OR OTHER OUTLET UNLESS THE BLADES CAN BE FULLY INSERTED TO PREVENT BLADE EXPOSURE.

ATTENTION: POUR PREVENIR CHOCS ELECTRIQUES NE PAS UTILISER CETTE FICHE POLARISEE AVEC UN PROLONGATEUR. UNE PRISE DE COURANT OU UNE AUTRE SORTIE DE COURANT, SAUF SI LES LAMES PEUVENT ETRE INSEREES A FOND SANS EN LAISSER AUCUNE PARTIE A DECOUVERT.

Bally MIDWAYTM

Invites You To Use

**OUR TOLL FREE NUMBERS FOR
SERVICE INFORMATION CONCERNING THIS GAME, OR ANY
OTHER BALLY MIDWAY GAME YOU NOW HAVE ON LOCATION.**

**CALL US FOR PROMPT, COURTEOUS
ANSWERS TO YOUR PROBLEMS.**

VIDEO → Continental U.S. 1-800-323-7182

PINBALL → Continental U.S. 1-800-323-3555

Bally MIDWAYTM

10601 West Belmont Avenue, Franklin Park, Illinois, 60131

phone (312)451-9200

© COPYRIGHT MCMLXXXIV BY BALLY MIDWAY MFG. CO.

ALL RIGHTS RESERVED

NO PART OF THIS PUBLICATION MAY BE REPRODUCED BY ANY MECHANICAL, PHOTOGRAPHIC, OR ELECTRONIC PROCESS, OR IN THE FORM OF A PHONOGRAPHIC RECORDING, NOR MAY IT BE TRANSMITTED, OR OTHERWISE COPIED FOR PUBLIC OR PRIVATE USE, WITHOUT PERMISSION FROM THE PUBLISHER. THIS MANUAL IS FOR SERVICE USE ONLY, AND NOT FOR GENERAL DISTRIBUTION. FOR PERMISSION REQUESTS, WRITE: BALLY MIDWAY MFG. CO., 10601 W. BELMONT AVE., FRANKLIN PARK, IL 60131

Printed in U.S.A.