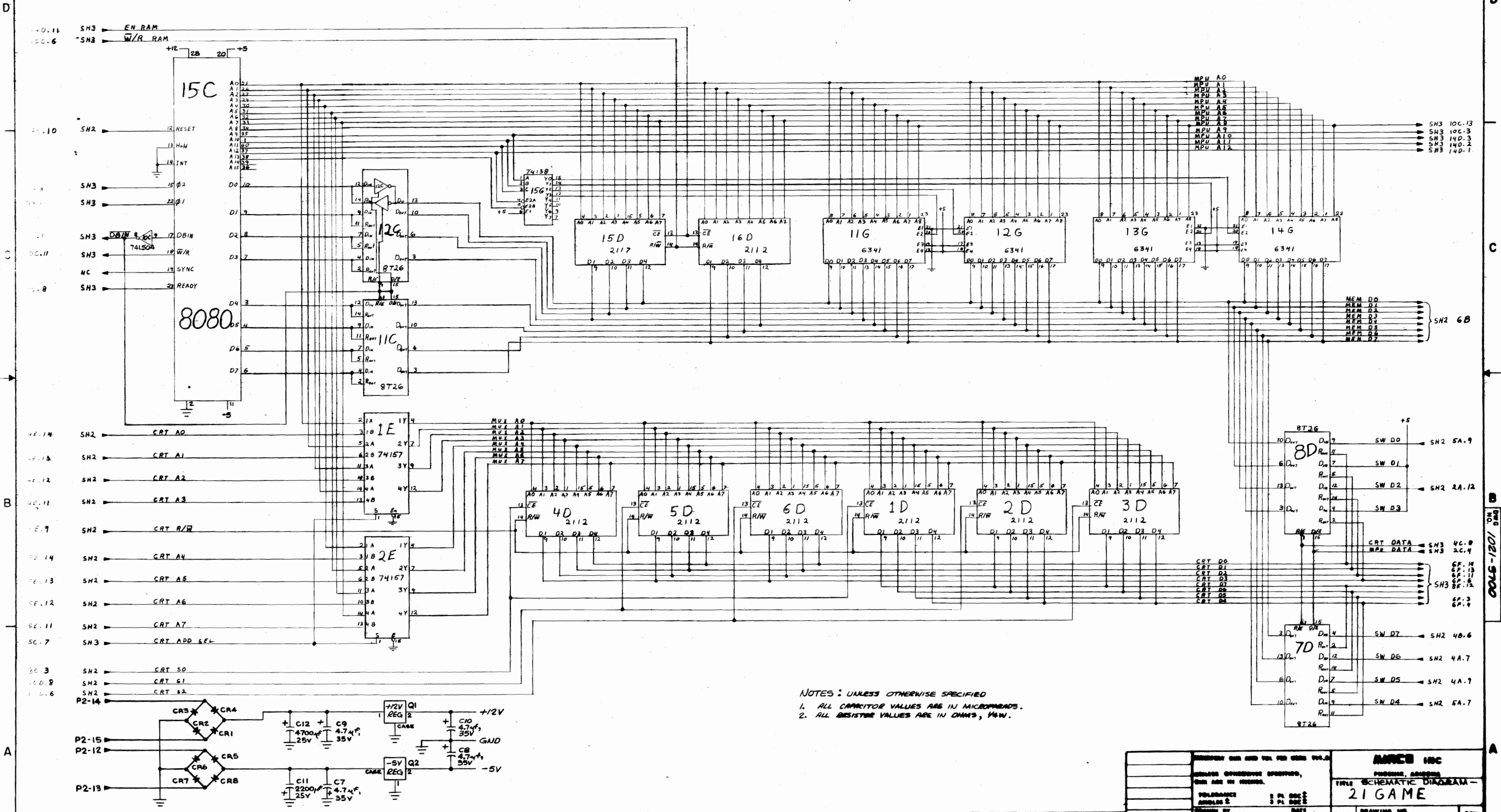


| REVISIONS | | | | |
|-----------|------|---|---------|----------|
| REV | ZONE | DESCRIPTION | DATE | APPROVED |
| A | | PRELIMINARY RELEASE | 7-20-76 | C.H. |
| B | | SCHEM UPDATED PER 1/1 BMS, ADD TEST POINTS, AND NOTES | 8-9-76 | EBM |
| 1 | | RELEASED TO PRODUCTION FOR 1/1 BOARDS SH3; DELETE LINE FROM 02-11 | 8-9-76 | EBM |
| 2 | | REVISED PER ECO 3350 FOR 1/2 BOARDS. | 8-27-76 | EBM |

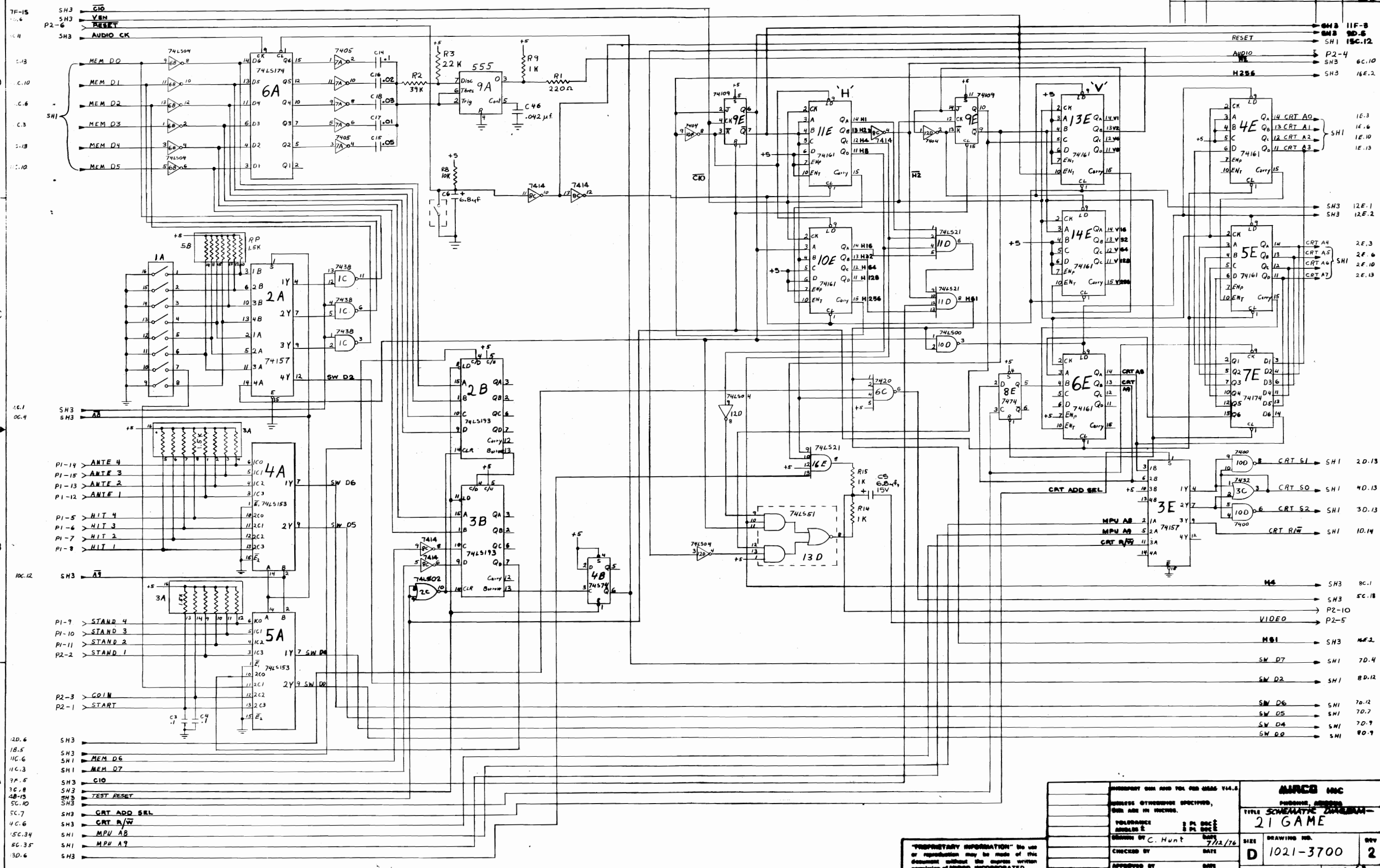


NOTES: UNLESS OTHERWISE SPECIFIED
 1. ALL CAPACITOR VALUES ARE IN MICROFARADS.
 2. ALL RESISTOR VALUES ARE IN OHMS, K Ω , M Ω .

"PROPRIETARY INFORMATION" No use or reproduction may be made of this document without the express written permission of MROD, INCORPORATED.

| | |
|--|---|
| MROD, INC. ADDRESS AND PHONE NO. ADDRESS AND PHONE NO. ADDRESS AND PHONE NO. ADDRESS AND PHONE NO. | MROD, INC. ADDRESS AND PHONE NO. 21 GAME DRAWING NO. D 1021-3700 2 REV. 2 |
| DRAWN BY C. Hunt CHECKED BY APPROVED BY | DATE 7/17/76 DATE DATE |

| REV | DATE | DESCRIPTION |
|-----|------|-------------|
| | | |



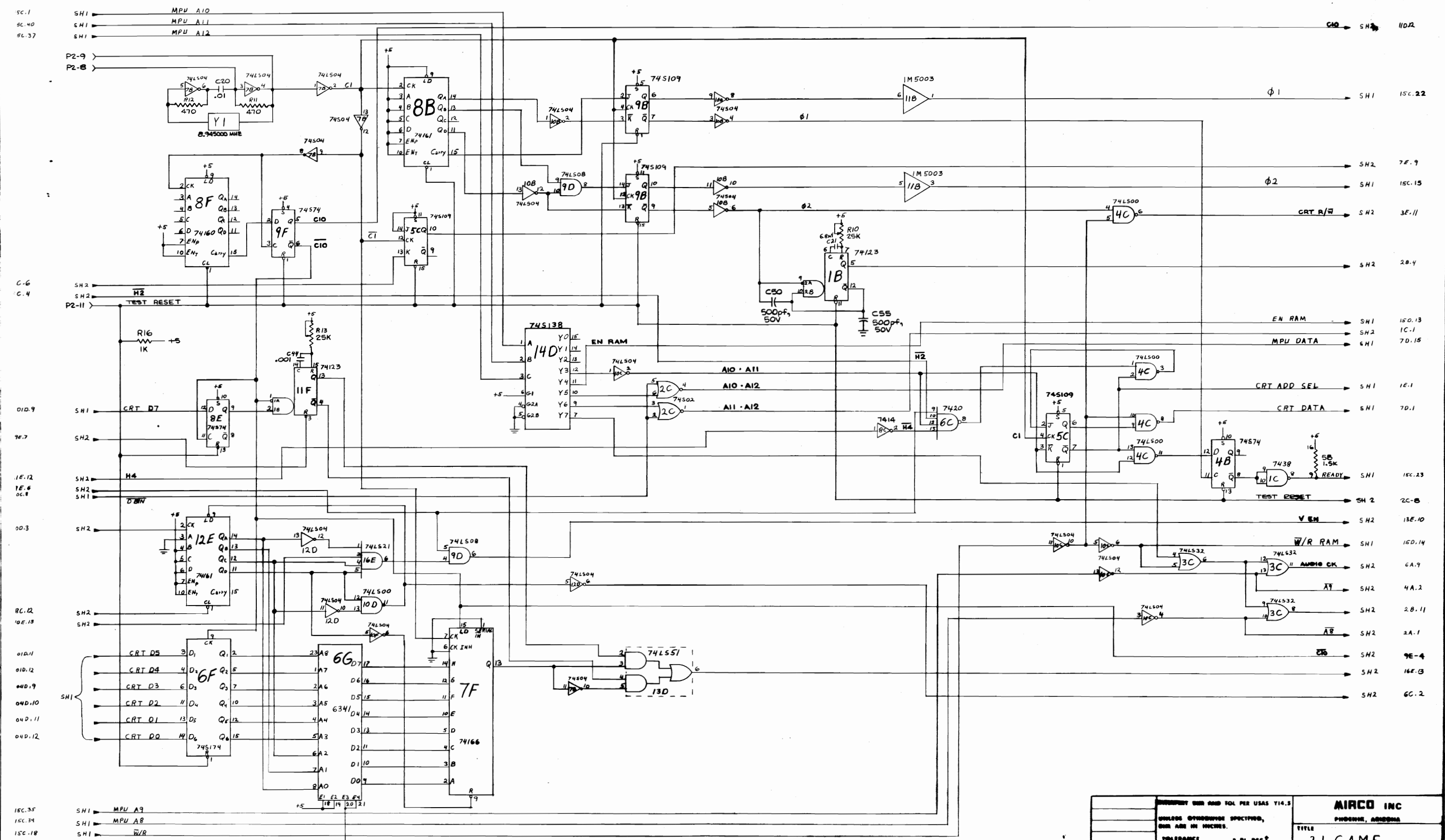
- 7F-15 SH3 CIO
- 7F-6 SH3 VBN
- P2-6 SH3 RESET
- SH3 AUDIO CK
- MEM D0
- MEM D1
- MEM D2
- MEM D3
- MEM D4
- MEM D5
- AA
- ANTE 4
- ANTE 3
- ANTE 2
- ANTE 1
- HIT 4
- HIT 3
- HIT 2
- HIT 1
- AT
- STAND 4
- STAND 3
- STAND 2
- STAND 1
- COIN
- START
- MEM D6
- MEM D7
- CRT ADD SEL
- CRT R/W
- MPU A8
- MPU A7

- SH3 11F-3
- SH3 9D-5
- SH1 15C.12
- P2-4
- SH3 6C.10
- SH3 16E.2
- SH1 1E.3
- SH1 1E.6
- SH1 1E.10
- SH1 1E.13
- SH3 12E.1
- SH3 12E.2
- SH1 2E.3
- SH1 2E.6
- SH1 2E.10
- SH1 2E.13
- SH1 2D.13
- SH1 4D.13
- SH1 3D.13
- SH1 10.14
- SH3 8C.1
- SH3 5C.18
- P2-10
- P2-5
- SH3 6E.2
- SH1 7D.4
- SH1 8D.12
- SH1 7D.12
- SH1 7D.7
- SH1 7D.9
- SH1 8D.9

"PROPRIETARY INFORMATION" No use or reproduction may be made of this document without the express written permission of MURCO, INCORPORATED.

| | | | | | |
|-------------------------------------|-----------------|------------------------------------|------|--------------------------|----------|
| DESIGNED BY C. Hunt | DATE 7/12/76 | CHECKED BY | DATE | APPROVED BY | DATE |
| MURCO INC PUNNETT, MASSACHUSETTS | | TITLE SCHEMATIC DIAGRAM 21 GAME | | DRAWING NO. 1021-3700 | REV 2 |

| REV | ZONE | DESCRIPTION | DATE | APPROVED |
|-----|------|-------------|------|----------|
| | | | | |



5C.1 SH1 MPU A10
 5C.40 SH1 MPU A11
 5C.37 SH1 MPU A12

P2-9
 P2-8

C.6 SH2 H2
 C.4 SH2 TEST RESET
 P2-11

01D.9 SH1 CRT D7
 7E.7 SH2

1E.12 SH2 H4
 1E.6 SH2
 0C.8 SH1 DBN

00.3 SH2

8C.12 SH2
 0E.15 SH2

01D.11 SH1 CRT D5
 01D.12 SH1 CRT D4
 04D.9 SH1 CRT D3
 04D.10 SH1 CRT D2
 04D.11 SH1 CRT D1
 04D.12 SH1 CRT D0

15C.35 SH1 MPU A9
 15C.34 SH1 MPU A8
 15C.18 SH1 W/R

1021-3700

| | |
|-------------------------------|---------------------------------|
| AIRCO INC PHOENIX, ARIZONA | |
| TITLE 21 GAME | |
| DRAWN BY C. Hunt | DATE 7/13/76 |
| CHECKED BY | DATE |
| APPROVED BY | DATE |
| SIZE D | DRAWING NO. 1021-3700 |
| SCALE | SHEET 3 OF 3 |

"PROPRIETARY INFORMATION" No use or reproduction may be made of this document without the express written permission of AIRCO, INCORPORATED.