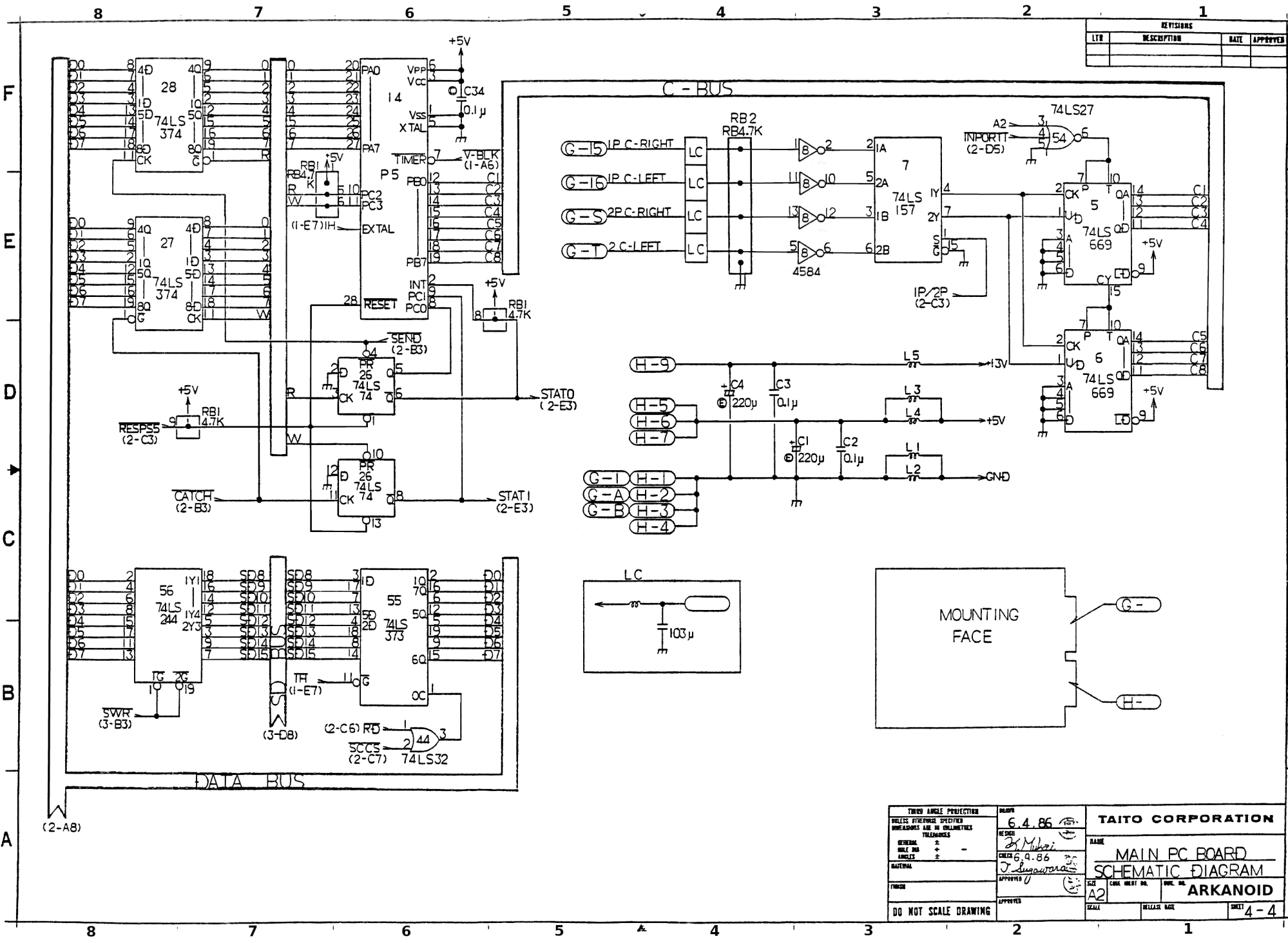


REVISIONS			
LT#	DESCRIPTION	DATE	APPROVED

THIRD ANGLE PROJECTION UNLESS OTHERWISE SPECIFIED DIMENSIONS ARE IN MILLIMETERS TOLERANCES FINISH SURFACE MATERIAL FINISH TYPICAL DO NOT SCALE DRAWING	DATE: 6.4.86 DRAWN: K. Maki CHECKED: S. Q. 86 APPROVED: J. Sugawara	TAITO CORPORATION NAME: MAIN PC BOARD SCHEMATIC DIAGRAM ARKANOID	
	TITLE:	CASE NO. 101	REV. NO.
	APPROVED:	ILLUSTR. DATE:	SHEET: 4-3
	SCALE:	ILLUSTR. DATE:	SHEET: 4-3

REVISIONS			
LT#	DESCRIPTION	DATE	APPROVED



THIRD ANGLE PROJECTION UNLESS OTHERWISE SPECIFIED DIMENSIONS ARE IN MILLIMETERS TOLERANCES	DATE	6.4.86	TAITO CORPORATION	
	DESIGNER	<i>B. M. M. M.</i>		
	CHECKED	<i>T. S. S. S.</i>		
	APPROVED	<i>J. S. S. S.</i>		
GENERAL	±		NAME MAIN PC BOARD	
HOLE DIA	±			SCHMATIC DIAGRAM
ANGLES	±		SIZE	A2
NATIONAL	±		CODE SHEET NO.	
FINISH			DWG. NO.	ARKANOID
DO NOT SCALE DRAWING			SCALE	
			RELEASE DATE	
			SHEET	4-4

