

ZONE		LTR		REVISIONS		DATE	APPROVED
				DESCRIPTION			

QTY REQD	CODE IDENT	PART OR IDENTIFYING NO.	NOMENCLATURE OR DESCRIPTION	ITEM NO.

PARTS LIST		CONTRACT NO.	

UNLESS OTHERWISE SPECIFIED DIMENSIONS ARE IN INCHES TOLERANCES ARE:		APPROVALS		DATE
FRACTIONS	DECIMALS	ANGLES		
±	±	±		

MATERIAL	DRAWN	CHECKED	MECH	ELEC	MFG	PROJECT

SIZE	CODE IDENT NO	DRAWING NO.	REV
D		834-5210-01	

APPLICATION		DO NOT SCALE DRAWING	

SCALE	SHEET	OF	TOTAL SHEETS
	1	4	89

8

7

6

5

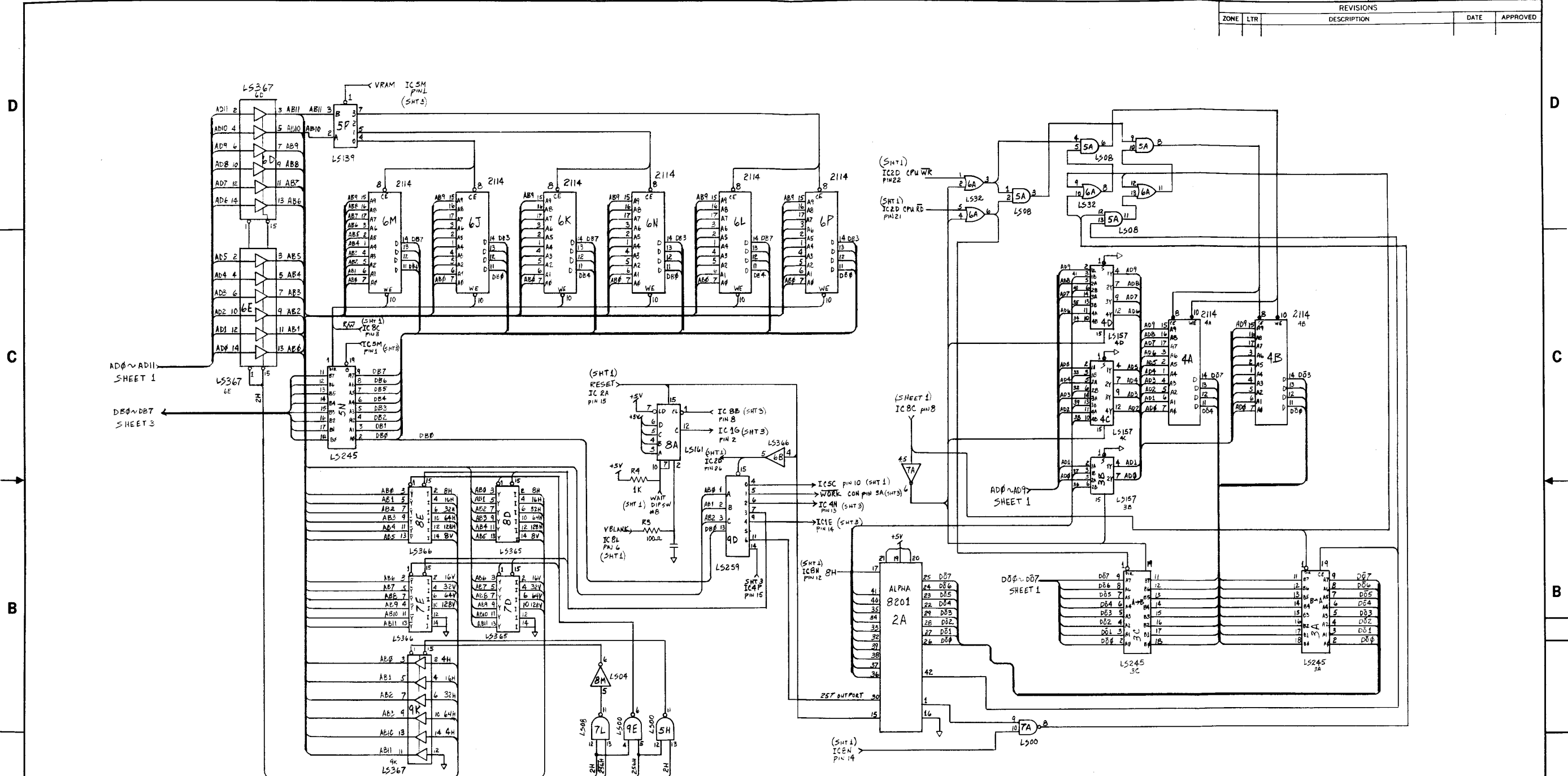
4

3

2

1

REVISIONS				
ZONE	LTR	DESCRIPTION	DATE	APPROVED



QTY REQD	CODE IDENT	PART OR IDENTIFYING NO.	NOMENCLATURE OR DESCRIPTION	ITEM NO.
PARTS LIST				
UNLESS OTHERWISE SPECIFIED DIMENSIONS ARE IN INCHES TOLERANCES ARE:				
FRACTIONS	DECIMALS	ANGLES		
±	±	±		
MATERIAL		CONTRACT NO.		
FINISH		APPROVALS DATE		
NEXT ASSY USED ON		DRAWN <i>[Signature]</i> 1/10/83		
APPLICATION		CHECKED		
		MECH		
		ELEC		
		MFG		
		PROJECT		
		SIZE CODE IDENT NO. DRAWING NO. REV		
		D 834-5210-01		
		SCALE SHEET 2 OF 4		

8

7

6

5

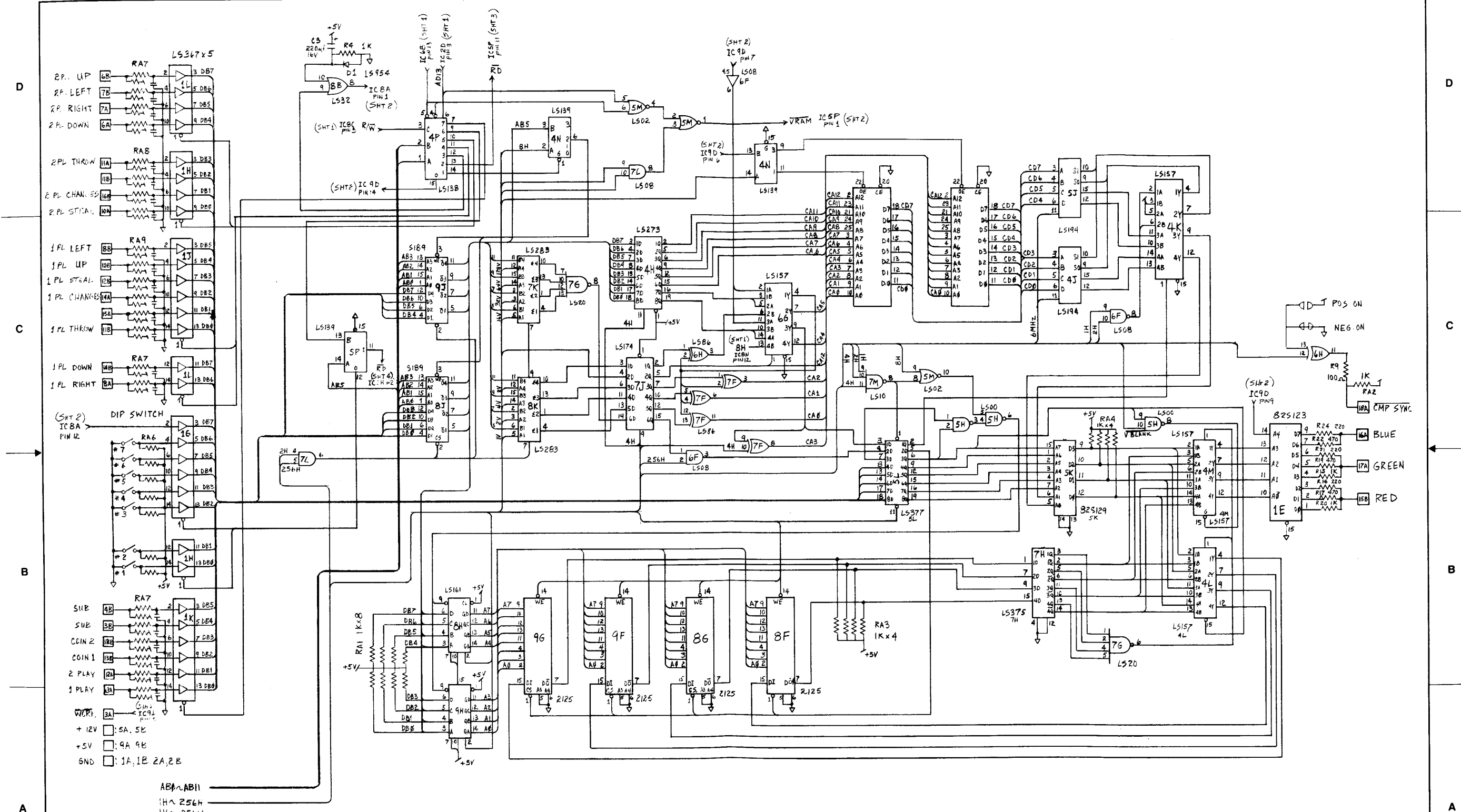
4

3

2

1

90

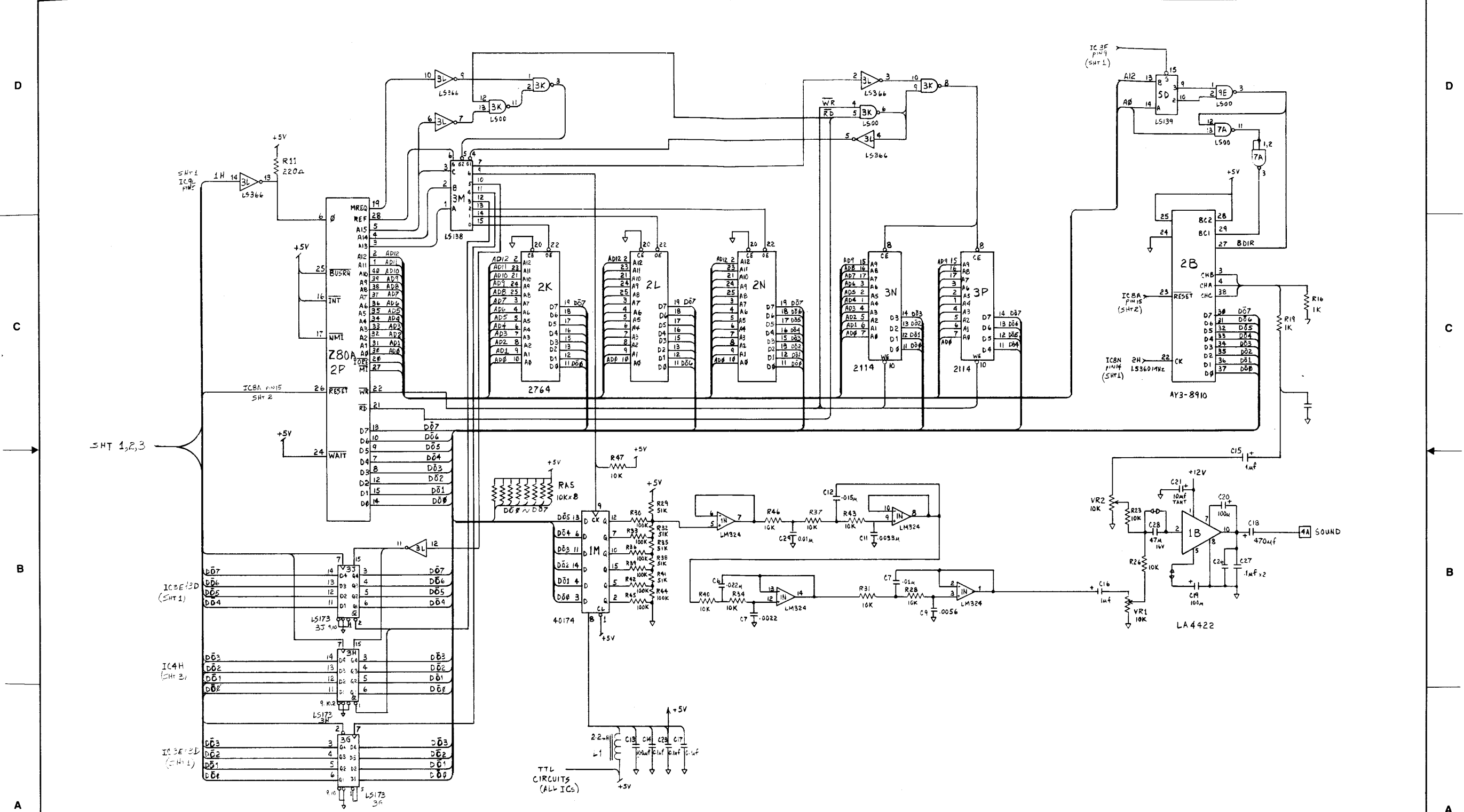


D
C
B
A

D
C
B
A

IC Board

SCIA
 ELECTRONICS, INC. San Diego, California 92127
 16250 Technology Drive
 SIZE: D FSCM NO: 834-5210-01 DWG NO: REV: SHEET 3 of 4



IC Board

SCCA	
16550 Technology Drive ELECTRONICS, INC. San Diego, California 92127	
SIZE FSCM NO	DWG NO 834-5210-01 REV
D	SHEET 4 OF 4