

Operation and Service Manual



700 Chase Avenue
Elk Grove Village, Illinois 60007
(312) 228-0451

PLEASE READ BEFORE INSTALLATION !!

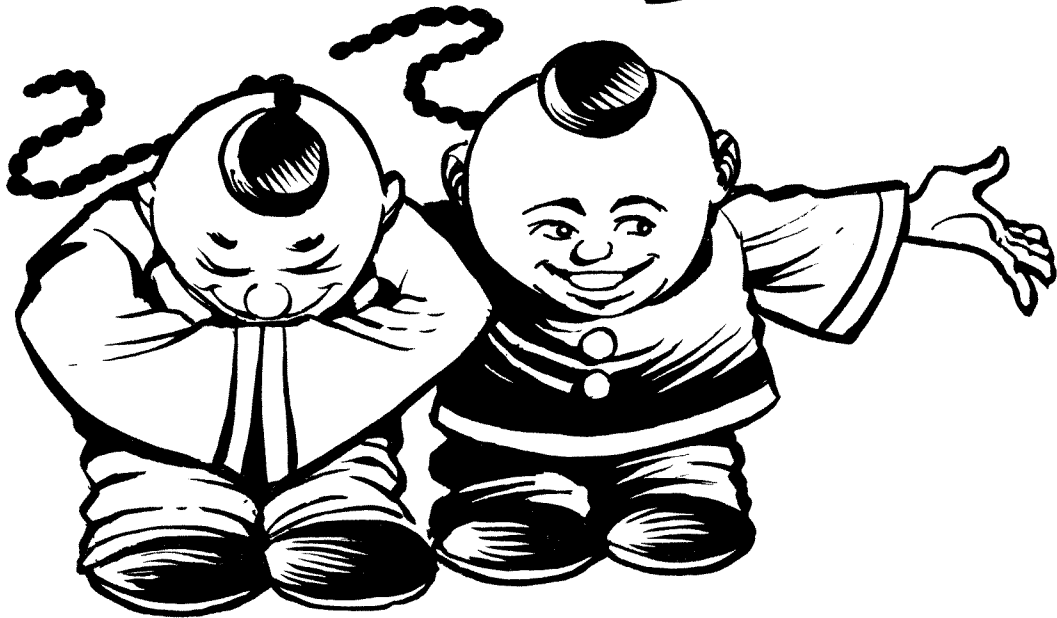
"CHINESE HERO" is a trade mark of **TAIYO** SYSTEM CO., LTD. © 1984

TWO PLAYERS CAN PLAY AT SAME TIME

Chinese Hero is a Kungfu action game. As a single player our **Chinese Hero**, Lee must save the princess from 12 evil villains. As a two player game, Lee is joined by Loo. They must work together to protect the princess from 24 evil villains.

Chinese Hero is programmed to automatically adjust to the player's skill level, the better the player the more difficult the game. Other options are shown in the dip switch chart.

For Technical Service
please call — (312) 228-0451

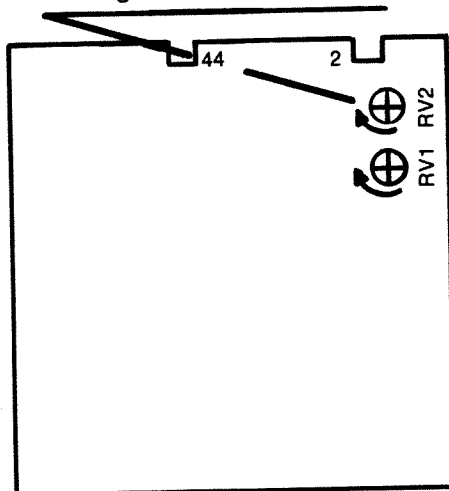


ADJUSTMENT OF THE DIP SWITCH

DIP. SW1

	SW 1	SW 2	SW 3	SW 4	SW 5	SW 6	SW 7	SW 8
Free Play	OFF	OFF						
Kingfu man 3	ON	OFF						
4	OFF	ON						
5	ON	ON						
1 credit/1 play			OFF					
1 credit/1 or 2 plays			ON					
1 coin/1 credit				OFF	OFF			
1 coin/2 credits				ON	OFF			
2 coins/1 credit				OFF	ON			
3 coins/1 credit				ON	ON			
Idle w/sound						OFF		
Idle w/o sound						ON		
Difficulty grade	Low						OFF	OFF
	Mid.						ON	OFF
	HI						OFF	ON
	Super HI						ON	ON

Volume goes up when turning clockwise



*Adjustment of Volume

+RV1.....music and melody

RV2.....Sound effect

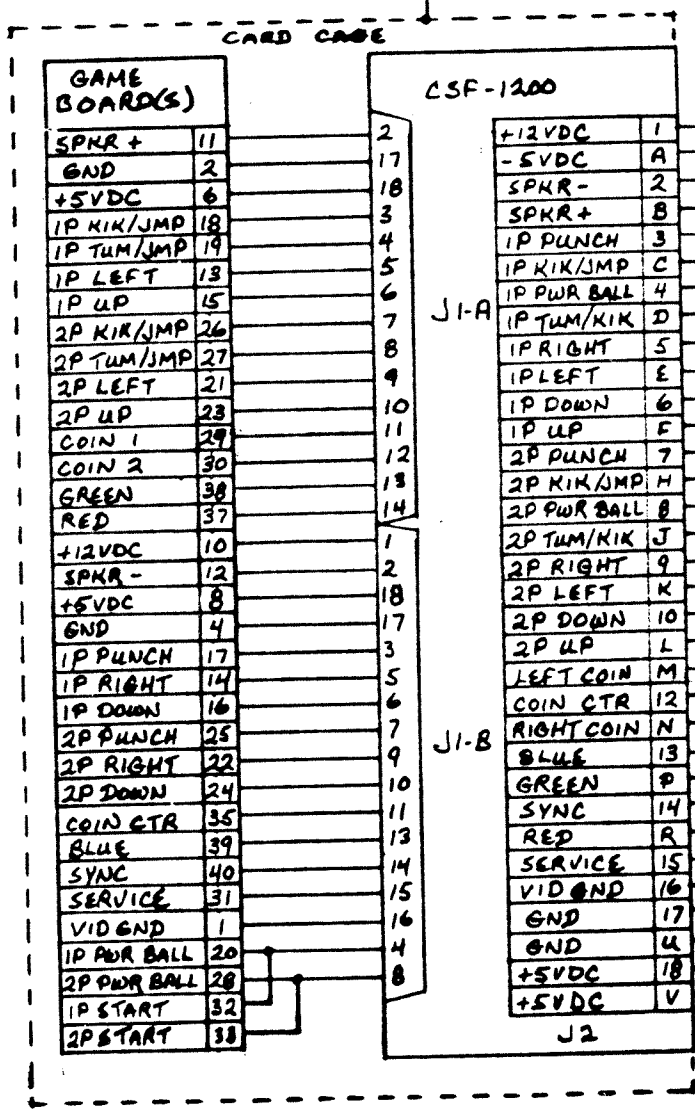
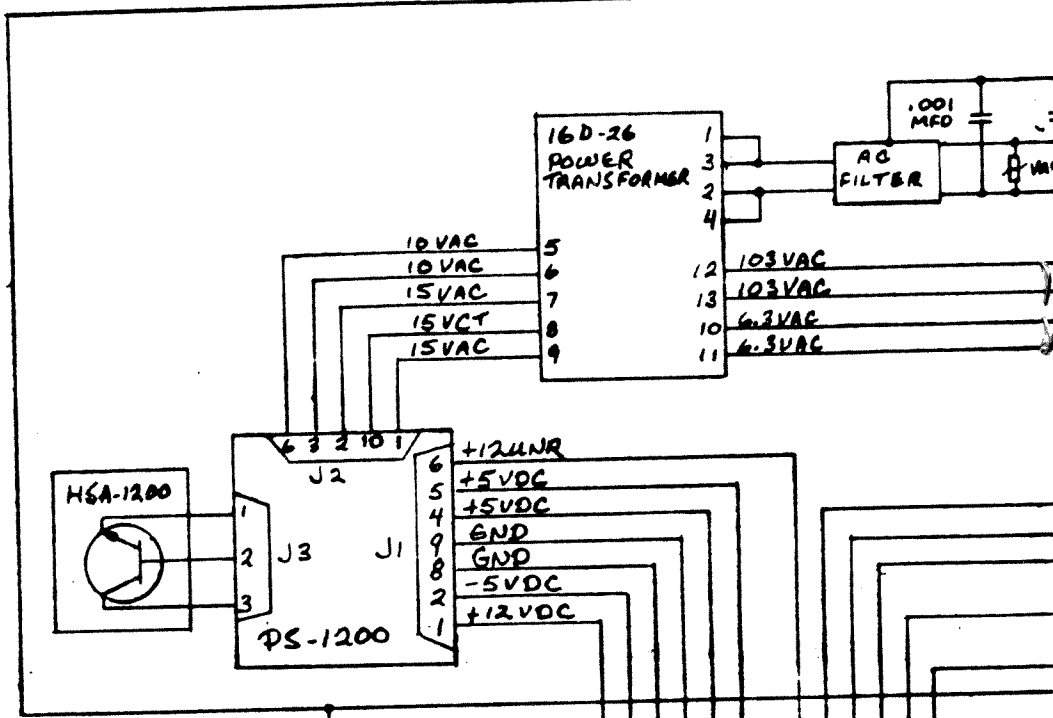
* Suggestion for Dip Switch set-up

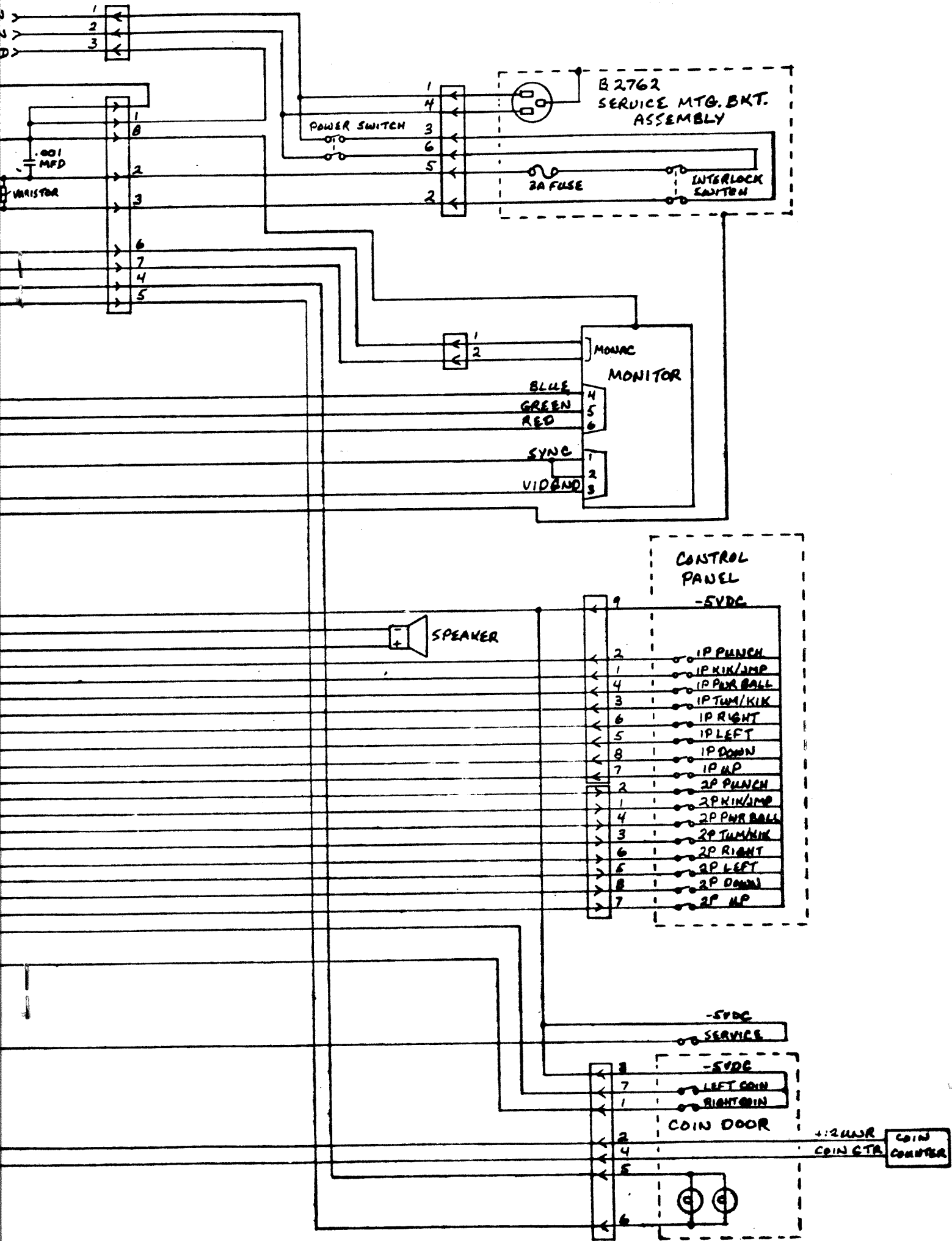
- Start with Mid grade for locations of average players
- Start with HI grade for locations of professional players

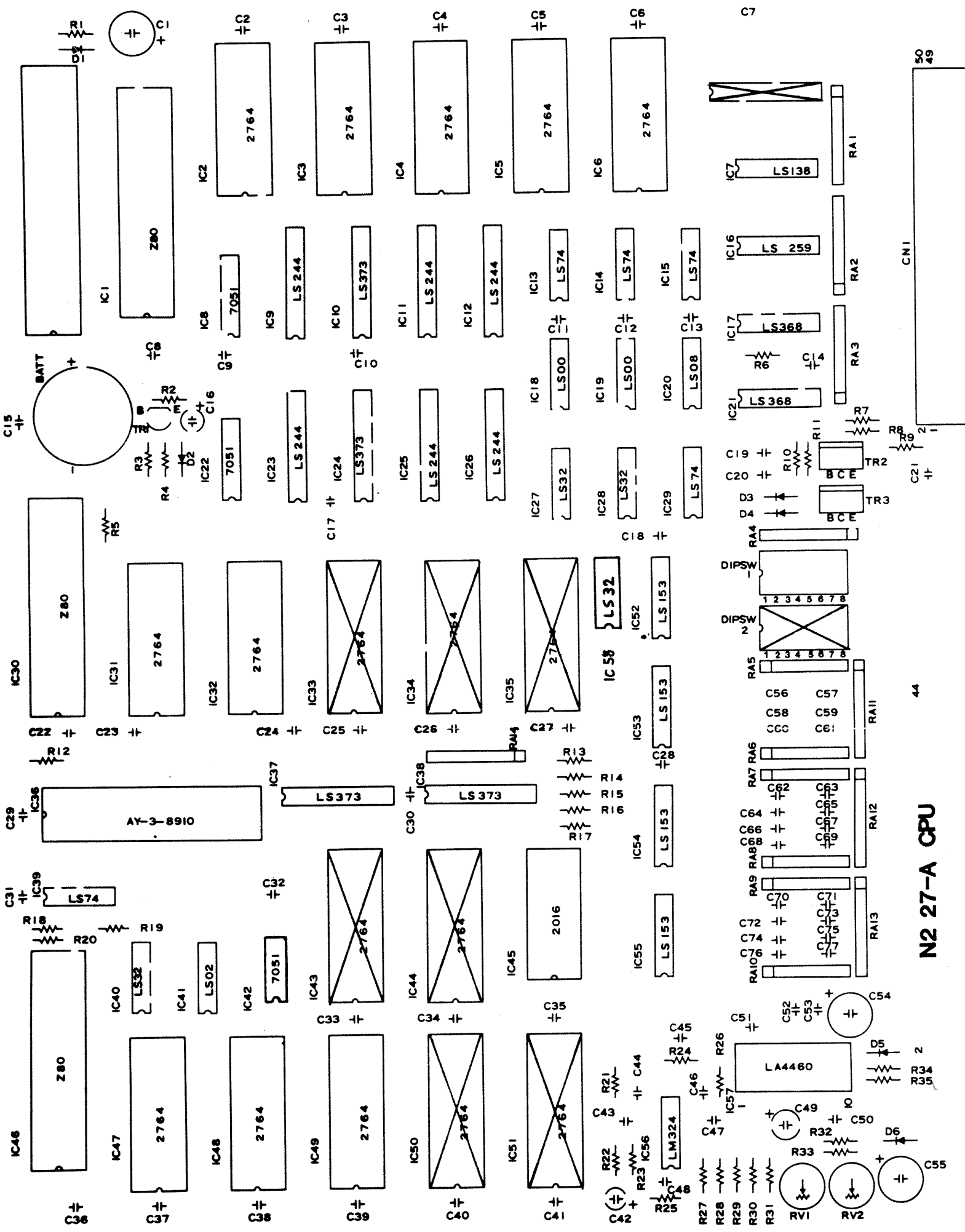
* If the playing time per game reaches over 5 minutes average and becomes too long to play, please grade up one by one.

AC IN >
 AC IN >
 EARTH GND >

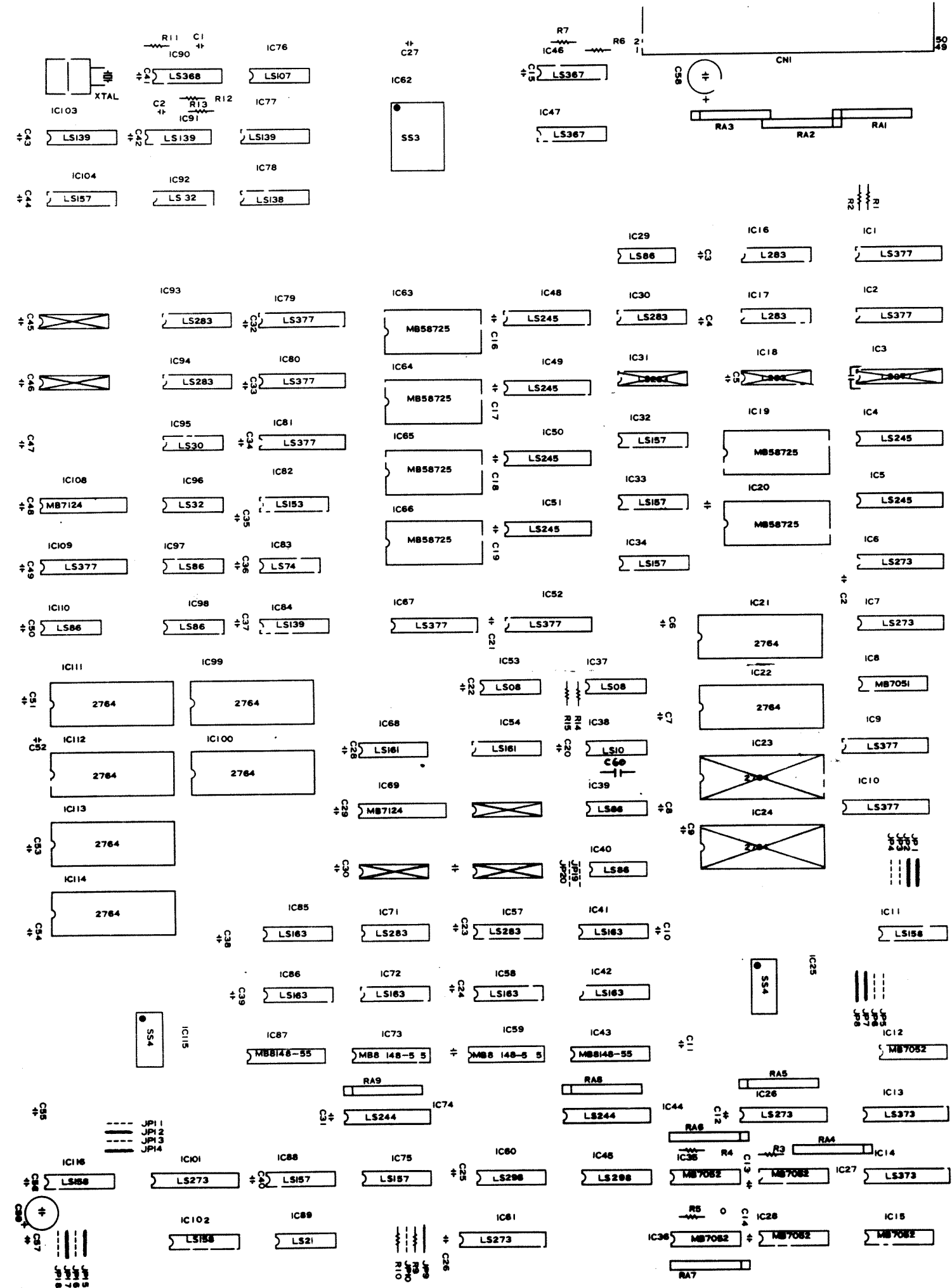
CHINESE HERO WIRING DIAGRAM







N2 27-A CPU



N2 27-B VIDEO

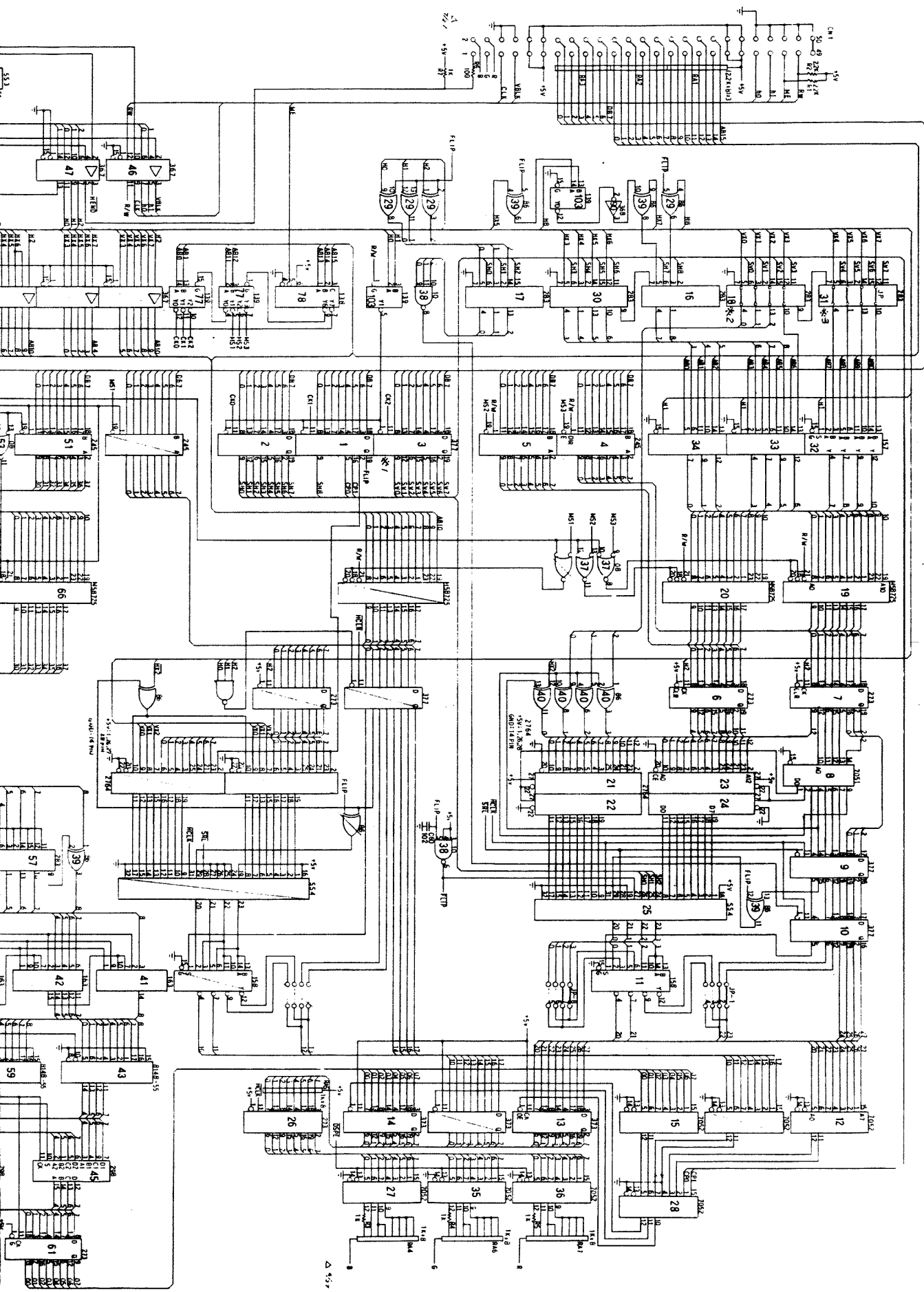
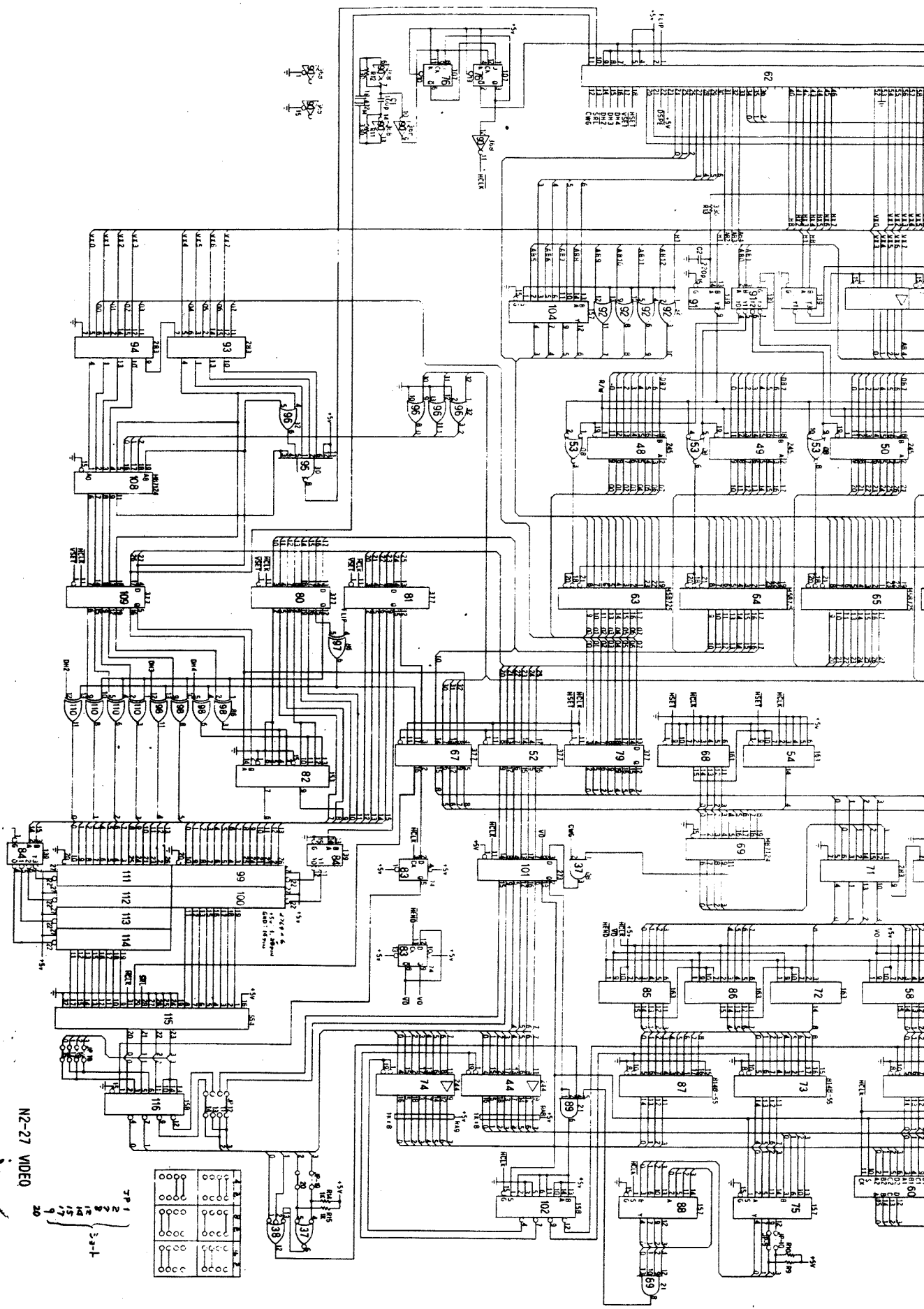
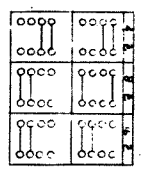
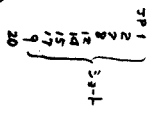
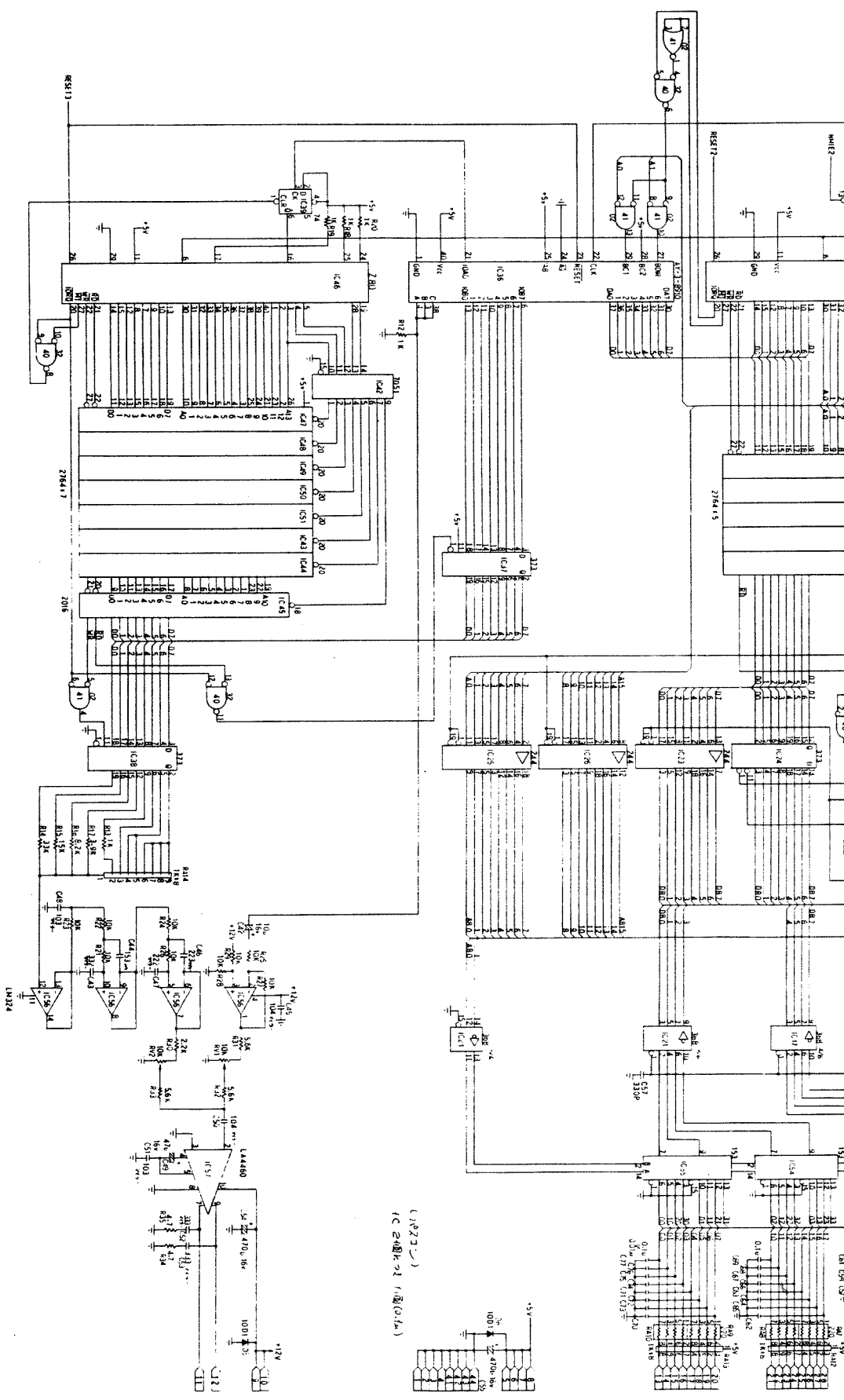


图 2
IC3, IC18, IC31 逻辑图

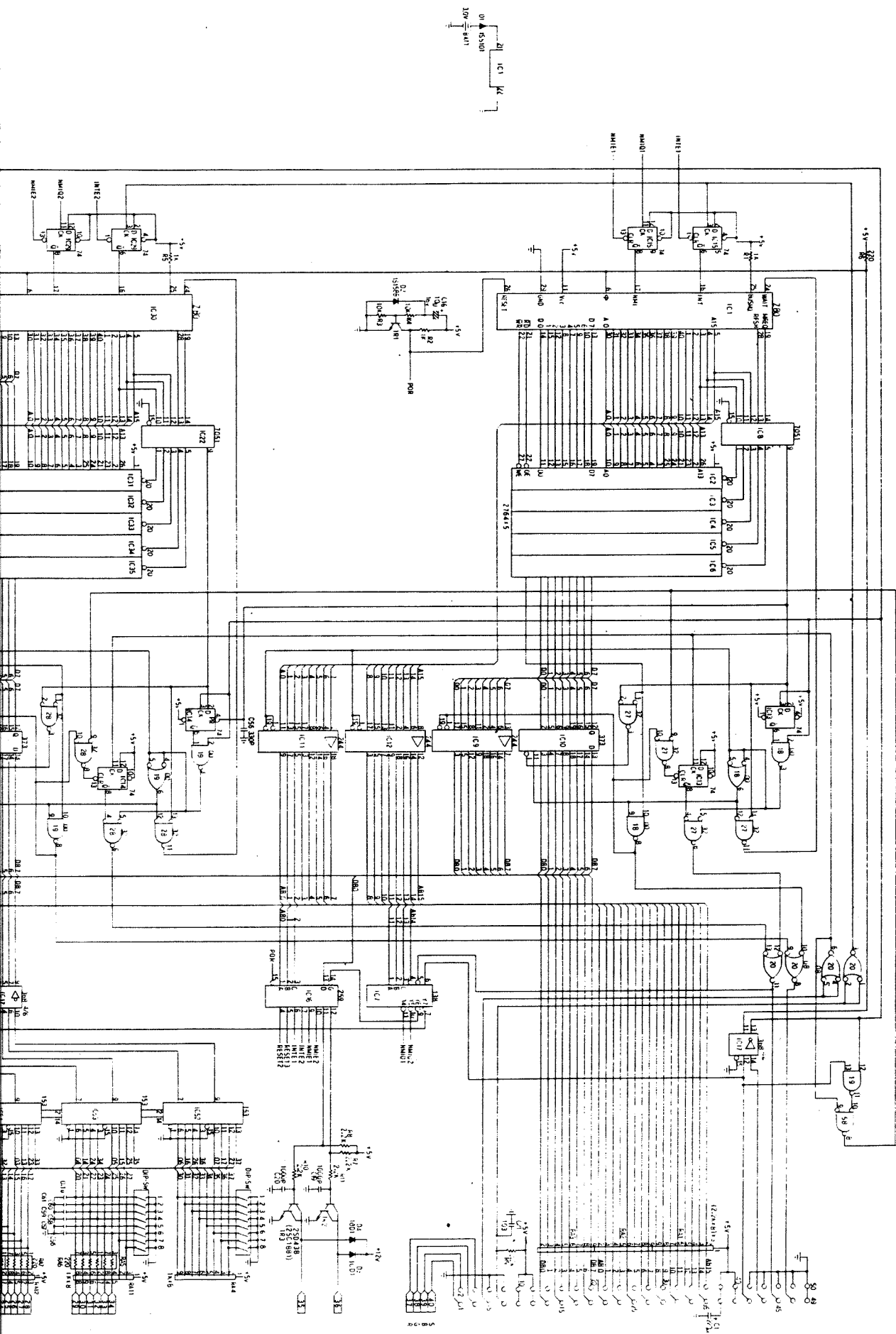


N2-27 VIDEO





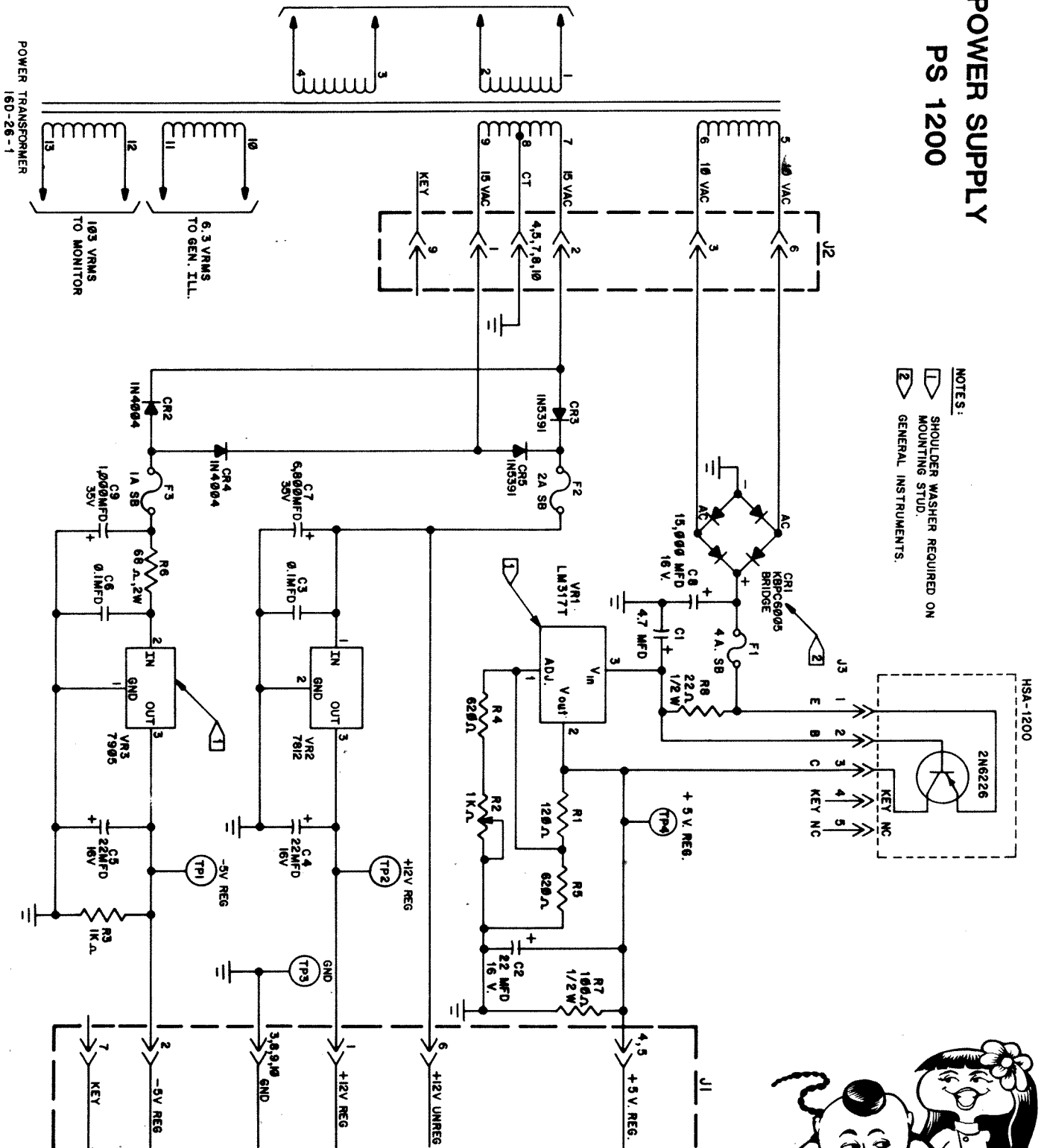


N2-27 CPU



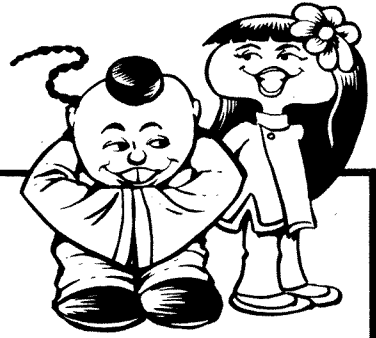
POWER SUPPLY PS 1200

- NOTES:
-  SHOULDER WASHER REQUIRED ON MOUNTING STUD.
 -  GENERAL INSTRUMENTS.



FOR 120V LINE,
CONNECT 1 TO 3,
AND 2 TO 4.

FOR 240V LINE,
CONNECT 2 TO 3,
1 AND 4 SHOULD
GO TO LINE.



700 Chase Avenue • Elk Grove Village, Illinois 60007
(312) 228-0451