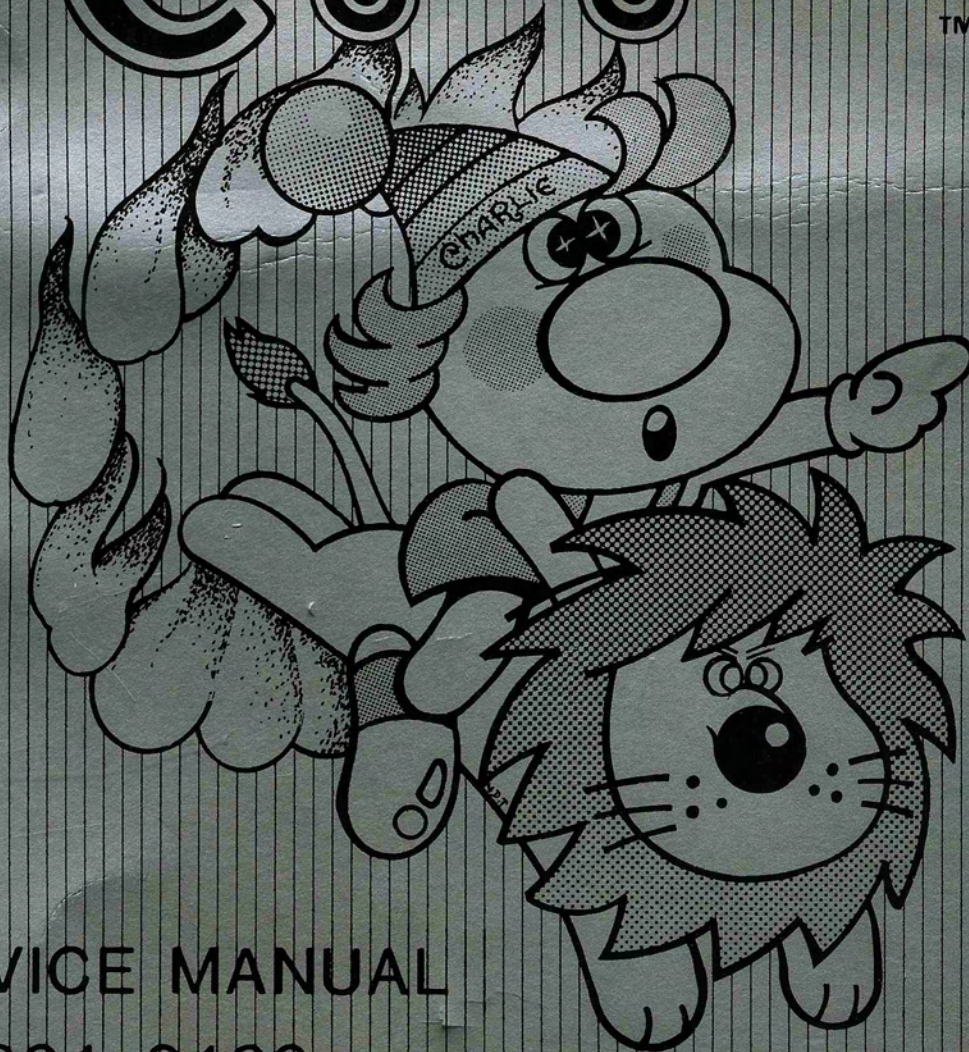


138

Konami inc.  
Centuri inc.

# CIRCUS CHARLIE™



SERVICE MANUAL

901-2169

CIRCUS CHARLIE  
TABLE OF CONTENTS

<u>I</u>	<u>GENERAL INFORMATION:</u>	<u>PAGE No.</u>
	USER INFORMATION -----	1
	INTRODUCTION & NOTES -----	2
	GAME PLAY INSTRUCTIONS -----	3
<u>II.</u>	<u>OPERATION:</u>	
	GAME OPTIONAL DIP SWITCH SETTINGS -----	5
	INSTALLATION & ELECTRICAL REQUIREMENTS -----	7
	110/220 VAC CONVERSION INSTRUCTIONS -----	8
	110/220 VAC INTERCONNECT DIAGRAM, FIGURE 1 -----	9
	ROUTINE MAINTENANCE & SERVICE, POWER SUPPLY -----	10
<u>III.</u>	<u>GAME PARTS DRAWINGS, PARTS LIST &amp; SCHEMATICS:</u>	
	CABINET FRONT VIEW, UPRIGHT, FIGURE 2 -----	11
	CABINET FRONT VIEW PARTS LIST, UPRIGHT -----	12
	CABINET FRONT VIEW, C/T TABLE, FIGURE 3 -----	13
	CABINET FRONT VIEW PARTS LIST, C/T TABLE -----	14
	MINI COIN DOOR ASS'Y & PARTS LIST, FIGURE 4 -----	15
	WICO COIN DOOR ASS'Y, EXPLODED VIEW, FIGURE 5 -----	16
	WICO COIN DOOR ASS'Y PARTS LIST -----	17
	JOYSTICK ASS'Y, EXPLODED VIEW, MONROE, FIGURE 6 -----	18
	JOYSTICK ASS'Y PARTS LIST, MONROE -----	19
	JOYSTICK ASS'Y, EXPLODED VIEW, WICO, FIGURE 7 -----	20
	JOYSTICK ASS'Y PARTS LIST, WICO -----	21
	POWER SUPPLY PSR-703AE SCHEMATIC, FIGURE 8 -----	22
	POWER SUPPLY PSR-703AE PARTS LIST -----	23
	POWER SUPPLY PSR-1105AP SCHEMATIC, FIGURE 9 -----	25
	POWER SUPPLY PSR-1105AP PARTS LIST -----	26
	POWER SUPPLY PSR-804AT SCHEMATIC, FIGURE 10 -----	28
	POWER SUPPLY PSR-804AT PARTS LIST -----	29
	CPU WIRE HARNESS, UPRIGHT, FIGURE 11 -----	31
	CONTROL PANEL WIRE HARNESS, UPRIGHT, FIGURE 12 -----	32
	CPU WIRE HARNESS, C/T TABLE, FIGURE 13 -----	33
	CONTROL PANEL HARNESS, 1ST PLAYER C/T, FIGURE 14 -----	34
	CONTROL PANEL HARNESS, 2ND PLAYER C/T, FIGURE 15 -----	35
	110/220 VAC INTERCONNECT DIAGRAM, C/T TABLE FIG. 16 -----	36
	AC INTERLOCK & FAN MOTOR HARNESS, C/T FIGURE 17 -----	37
	MINI COIN DOOR WIRING DIAGRAM, FIGURE 18 -----	38
	PC BOARD ASS'Y SCHEMATICS -----	

USER INFORMATION - F.C.C.

WARNING

THIS EQUIPMENT GENERATES, USES, AND CAN RADIATE RADIO FREQUENCY ENERGY AND IF NOT INSTALLED AND USED IN ACCORDANCE WITH THE INSTRUCTIONS MANUAL, MAY CAUSE INTERFERENCE TO RADIO COMMUNICATIONS.

IT HAS BEEN TESTED AND FOUND TO COMPLY WITH THE LIMITS FOR A CLASS "A" COMPUTING DEVICE PURSUANT TO SUBPART J OF PART 15 OF F.C.C. RULES, WHICH ARE DESIGNED TO PROVIDE REASONABLE PROTECTION AGAINST SUCH INTERFERENCE WHEN OPERATED IN A COMMERCIAL ENVIRONMENT.

OPERATION OF THIS EQUIPMENT IN A RESIDENTIAL AREA IS LIKELY TO CAUSE INTERFERENCE IN WHICH CASE THE USER AT HIS OWN EXPENSE WILL BE REQUIRED TO TAKE WHATEVER MEASURES MAY BE REQUIRED TO CORRECT THE INTERFERENCE.

## INTRODUCTION

"CIRCUS CHARLIE" IS A MICROPROCESSOR BASED COIN-OPERATED ELECTRONIC GAME, THAT MAKES EXTENSIVE USE OF DIGITAL INTEGRATED CIRCUITRY AND TELEVISION MONITOR CONCEPTS. THIS MANUAL IS DESIGNED FOR THE USE OF MAINTENANCE TECHNICIANS WHO POSSESS A GENERAL KNOWLEDGE OF SOLID-STATE CIRCUITRY AND VIDEO MONITOR THEORY. ANY INDIVIDUAL NOT KNOWLEDGEABLE IN THESE AREAS SHOULD NOT ATTEMPT REPAIR OF THE ELECTRONIC PORTION OF THE GAME.

IN ADDITION TO THIS MANUAL AND TRAINING IN ELECTRONICS, TROUBLE-SHOOTING AND REPAIR WILL BE FACILITATED BY ACCESS TO GENERAL-TYPE HANDTOOLS, A MULTIMETER, A 50 OR 100 MHZ OSCILLOSCOPE AND A LOGIC PROBE WOULD BE HELPFUL.

TECHNICAL ASSISTANCE IS AVAILABLE BY CALLING (305) 558-5200 OR OUR TOLL FREE LINE LISTED BELOW FOR OUT OF STATE CUSTOMERS. QUESTIONS OR COMMENTS CONCERNING "CIRCUS CHARLIE" OR ANY OF OUR GAMES ARE WELCOME AND SHOULD BE DIRECTED TO:

CENTURI, INC.  
CUSTOMER SERVICE DEPARTMENT  
TOLL FREE LINE # 800-327-7710

## NOTES

NEVER REPLACE ANY COMPONENT WITH ANYTHING OTHER THAN THE EXACT REPLACEMENT PART.

NEVER REMOVE CIRCUIT BOARD CONNECTIONS WHILE POWER IS ON.

DO NOT REPLACE A FUSE WITH ANYTHING OTHER THAN THE PROPER VALUE. A BLOWN FUSE INDICATES AN OVERLOAD CONDITION WITHIN THE GAME. REPLACING A FUSE WITH A HIGHER VALUE CAN CAUSE SEVERE DAMAGE TO INTERNAL COMPONENTS IF AN OVERLOAD OCCURS.

ALWAYS CONSULT THE SERVICE MANUAL BEFORE ATTEMPTING REPAIRS.

## CIRCUS CHARLIE

### PLAY INSTRUCTIONS

- \* SELECT ONE OF SIX SCREENS, EACH WITH DIFFERENT LEVELS OF DIFFICULTY, USING JOYSTICK AND JUMP BUTTON.
- \* USE JOYSTICK TO MOVE CIRCUS CHARLIE FORWARD AND BACKWARD AND JUMP BUTTON TO MAKE HIM JUMP.
- \* EACH SCREEN MAY BE PLAYED A MAXIMUM OF FIVE TIMES.
- \* COMPLETE SCREENS AS QUICKLY AS POSSIBLE FOR MAXIMUM BONUS POINTS.
- \* LOSE ONE CIRCUS CHARLIE IF TIMER RUNS OUT BEFORE A SCREEN IS COMPLETED.
- \* BONUS POINTS FOR COMPLETING A ROUND WITHOUT LOSING CIRCUS CHARLIE.
- \* TIMER BONUS POINTS ARE ADDED TO SCORE AFTER EACH COMPLETED ROUND.
- \* LOSING CIRCUS CHARLIE BEFORE COMPLETING A ROUND REDUCES TIMER STARTING TIME FROM 5,000 TO 1,500.
- \* GAME IS OVER WHEN ALL CIRCUS CHARLIES ARE LOST.

### SCREEN SCORING

FIRE RING-- JUMP THROUGH FIRE RINGS AND FIRE POTS.  
COLLECT DOLLAR (\$) BAGS FOR EXTRA POINTS.

JUMPING THROUGH SINGLE FIRE RING -----	100 POINTS
DOUBLE FIRE RINGS -----	200 POINTS
RING AND FIRE POT -----	300 POINTS
2 RINGS & FIRE POT -----	400 POINTS
FIRE POTS -----	500 POINTS
DOLLAR (\$) BAGS	1,000 POINTS

TIGHT ROPE-- JUMP OVER MONKEYS.

BROWN MONKEY -----	200 POINTS
BLUE MONKEY -----	300 POINTS
BROWN & BLUE MONKEYS -----	1,000 POINTS
1 BROWN & 2 BLUE MONKEYS ---	2,000 POINTS

## CIRCUS CHARLIE

### SCREEN SCORING CONT'ED

TRAMPOLINE-- JUMP FROM TRAMPOLINE TO TRAMPOLINE, USING  
JOYSTICK ONLY.  
AVOID FIRE TORCHES, KNIVES AND JUMPING ON  
ONE TRAMPOLINE MORE THAN THREE TIMES.  
FROM TRAMPOLINE TO TRAMPOLINE ---- 20 POINTS  
DOLLAR (\$) BAGS ----- 300 POINTS

BALL WALK-- JUMP FROM BALL TO BALL OR EVERY OTHER BALL.  
HIGHER POINTS (500, 700, OR 2,000) FOR  
SUCCESSFULLY JUMPING OVER A BALL AND LANDING  
POINT DIFFICULTY.  
JUMP FROM BALL TO BALL ----- 100 POINTS

HORSE BACK-- JUMP FROM HORSE BACK TO SPRINGBOARD AND BACK  
TO HORSE.  
USE JOYSTICK TO CONTROL SPEED OF HORSE.  
POINTS ARE GIVEN ACCORDING TO SPRINGBOARD POINT  
VALUE.  
BOUNCING ON THE SAME SPRINGBOARD MORE THAN ONCE  
ADDS EXTRA POINTS PER BOUNCE.

FLYING TRAPEZE-- ADVANCE AS QUICKLY AS POSSIBLE FOR MAXIMUM  
POINTS.  
USE JOYSTICK TO INCREASE SWING MOVEMENT OF  
TRAPEZE.  
USE TRAMPOLINE TO BOUNCE FROM TRAPEZE TO TRAPEZE.

### BONUS POINTS

- \* BONUS POINTS FOR COMPLETING A ROUND WITHOUT LOSING  
CIRCUS CHARLIE.
- \* TIMER BONUS POINTS ARE ADDED TO SCORE AFTER EACH COMPLETED  
ROUND.
- \* LOSING CIRCUS CHARLIE BEFORE COMPLETING A ROUND REDUCES  
TIMER STARTING TIME FROM 5,000 TO 1,500.

CIRCUS CHARLIE  
OPTIONAL DIP SWITCH SETTINGS

A. Dip Switch No 1 (8P Dip Switch)

Credits

Coin	Plays	SW1	SW2	SW3	SW4	SW5	SW6	SW7	SW8
1	1	Off	Off	Off	Off	Off	Off	Off	Off
1	2	On	Off	Off	Off	On	Off	Off	Off
1	3	Off	On	Off	Off	Off	On	Off	Off
1	4	On	On	Off	Off	On	On	Off	Off
1	5	Off	Off	On	Off	Off	Off	On	Off
1	6	On	Off	On	Off	On	Off	On	Off
2	7	Off	On	On	Off	Off	On	On	Off
2	1	On	On	On	Off	On	On	On	Off
2	3	Off	Off	Off	On	Off	Off	Off	On
2	5	On	Off	Off	On	On	Off	Off	On
3	1	Off	On	Off	On	Off	On	Off	On
3	2	On	On	Off	On	On	On	Off	On
3	4	Off	Off	On	On	Off	Off	On	On
4	1	On	Off	On	On	On	Off	On	On
4	3	Off	On	On	On	Off	On	On	On
Free Play		On	On	On	On	On	On	On	On

B. Dip Switch No.2 (8P Dip Switch)

1. Number Of Coins

Number	SW1	SW2
<input type="radio"/> 3	Off	Off
4	On	Off
5	Off	On
7	On	On

2. Game Type

Style	SW3	Players
Table	Off	1 or 2 Players
Upright	On	Only 1 Player

3. Bonus Points Setting

First	And Every	SW4	SW5
<input type="radio"/> 20,000	70,000	Off	Off
30,000	80,000	On	Off

B. Dip Switch No.2 (continues)

4. Play Difficulty

Option	SW6	SW7
Easy	Off	Off
<input type="radio"/> Normal	On	Off
Hard	Off	On
Difficult	On	On

5. Audio Attraction

Sound Mode	SW8
No Sound In Attract Mode	Off
<input type="radio"/> Sound In Attract Mode	On

Denotes Normal Settings



## INSTALLATION

YOUR GAME WAS SHIPPED FROM THE FACTORY IN READY-TO-PLAY CONDITION.

A BRIEF INSPECTION IS SUGGESTED BEFORE THE MACHINE IS REMOVED FROM THE CARTON. IF THERE IS DAMAGE TO THE SHIPPING CARTON, CONTACT THE FREIGHT CARRIER FOR CLAIM PURPOSES. EXTERNAL DAMAGE COULD INDICATE POSSIBLE DAMAGE TO THE CABINET AND/OR ELECTRONICS COMPONENTS.

AFTER THE CARTON HAS BEEN SATISFACTORILY INSPECTED, REMOVE THE MACHINE FROM THE SHIPPING CARTON.

EXAMINE THE INTERIOR OF THE GAME FOR DISCONNECTED WIRES, CABLES OR HARNESSSES. MAKE SURE THE ELECTRONIC DEVICES ARE SECURELY MOUNTED IN THEIR SOCKETS, ETC. RECORD THE GAME SERIAL NUMBER, SINCE IT WILL BE REQUIRED FOR REFERENCE AND SERVICING.

## ELECTRICAL REQUIREMENTS

UNLESS OTHERWISE SPECIFIED, THIS GAME IS SET TO OPERATE AT 110 VOLTS A.C. (REFER TO 110/220 VAC CONVERSION INSTRUCTIONS).

POWER SUPPLY CHASSIS SCHEMATIC INFORMATION AND PARTS LIST ARE INCLUDED IN THIS MANUAL.

## 110/220 VAC CONVERSION INSTRUCTIONS

THIS GAME CONTAINS A HARNESS CONFIGURATION WHICH ALLOWS THE MACHINE TO BE OPERATED FROM EITHER A 110 VAC OR 220 VAC, 50 HZ OR 60 HZ POWER SOURCE. ALL GAMES SHIPPED FROM CENTURI, INC., ARE IN THE 110 VAC CONFIGURATION. TO CHANGE TO THE 220 VAC CONFIGURATION FOLLOW THE PROCEDURE BELOW.

- FIRST: UNPLUG THE MACHINE FROM THE WALL OUTLET TO COMPLETELY ELIMINATE SHOCK HAZARDS.
- SECOND: REMOVE THE 110 VAC PLUG FROM THE AC POWER CORD AND REPLACE WITH A 220 VAC PLUG. ATTACH THE GREEN WIRE FROM THE AC CORD TO THE GREEN SCREW OF THE 220 VAC PLUG. ATTACH THE WHITE WIRE (NEUTRAL) AND THE BLACK WIRE (HOT) OF THE AC CORD TO THE 220 VAC PLUG.
- THIRD: REMOVE THE SINGLE 3 AMP SLOW-BLOW FUSE FOUND IN THE A.C. DISTRIBUTION BRACKET, AND INSTALL TWO, 1.5 AMP SLOW-BLOW FUSES. NEXT, CUT THE #18 AWG, WHITE JUMPER WIRE AT BOTH ENDS OF THE FUSE HOLDER AND REPLACE THE COVER.
- FOURTH: ON THE GAME POWER TRANSFORMER, LOCATE THE "ORANGE" JUMPER PLUG WHICH IS MARKED, 110 VAC. UNPLUG THE "ORANGE" JUMPER, AND PLUG IN THE "RED" JUMPER PLUG MARKED 220 VAC.

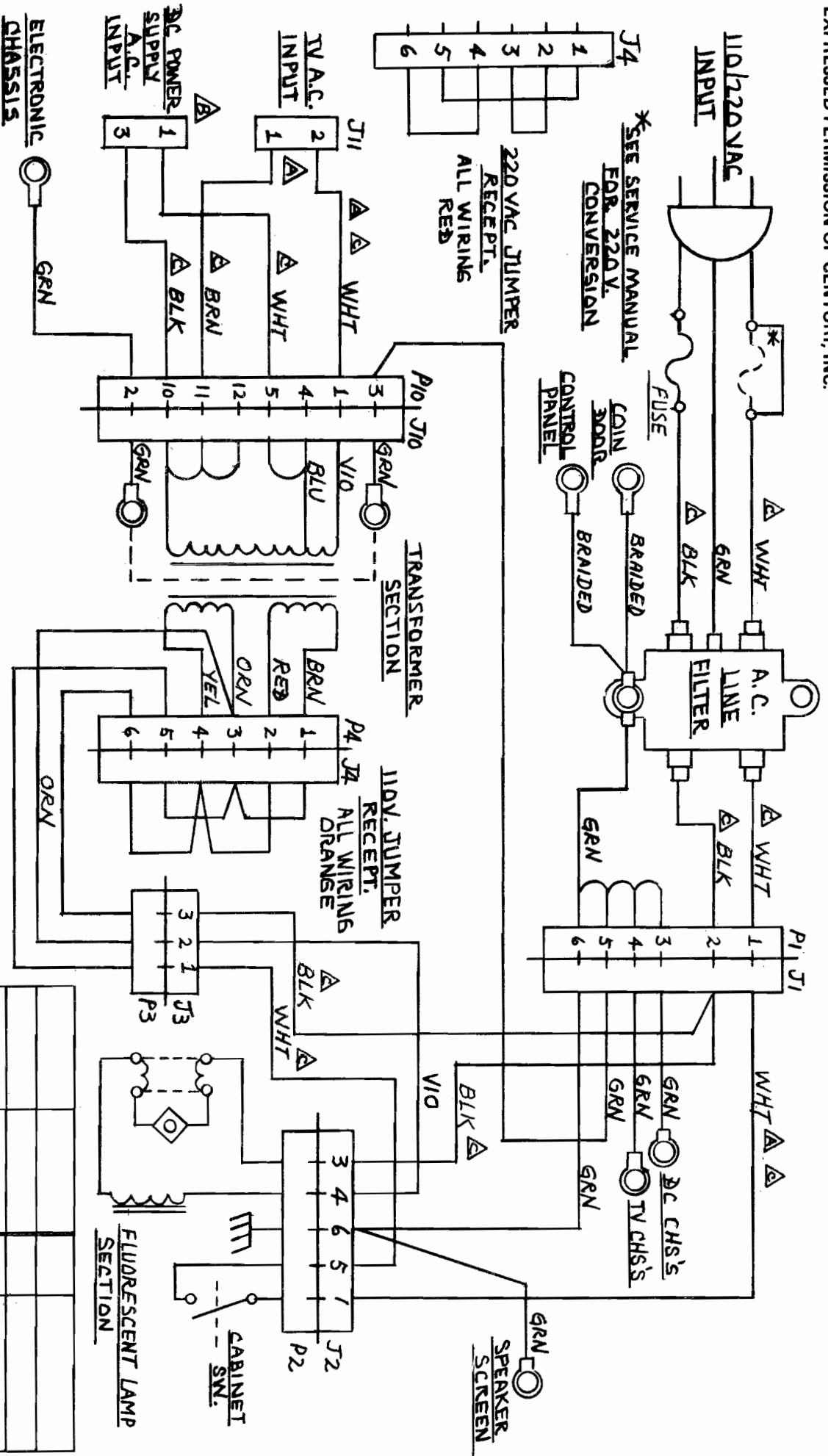
TO REVERT BACK TO 110 VAC, REPLACE THE COMPONENTS ORIGINALLY REMOVED FROM THE PROCEDURE STEPS ABOVE.

\*\*\*NOTE: THE COMMON SIDE OF THE A.C. LINE MUST NOT BE FUSED IN THE 110 VAC CONFIGURATION, REPLACE THE #18 AWG, WHITE JUMPER WIRE.

( REFER ALSO TO THE 110/220 VAC POWER INTERCONNECT DIAGRAM )

THE MATERIAL CONTAINED HEREIN IS CONFIDENTIAL AND NO PART OF IT CAN BE REPRODUCED WITHOUT THE EXPRESSED PERMISSION OF CENTURI, INC.

FIGURE 1



REV. LET.	ECN NO.	REVISION	BY
A	012	CHG'D WHT/GRN WIRE TO BLK CHG'D WHT/RED WIRE TO GRN	CN
B	014	CHG'D WHT/GRN WIRE TO BLK REPLACED OPEN LIDS WITH A 3 PIN CONNECTOR TO DC POWER SUPPLY	CN
C	015	CHG'D WHT WIRE TO BLK, BLK TO WHT, GRN TO WHT, WHT TO GRN	MT

TOLERANCES	
Unless Otherwise Specified	
FRACTIONS	± 1/32
DECIMALS 2 PL	± .015
DECIMALS 3 PL	± .005
HOLES	± .003
ANGLES	± 1/2°
SHT. MET BENDS	± 2°

NAME		centuri inc.	
110/220 V. POWER INTERCONNECT DIAGRAM		HIALEAH, FLORIDA 33014	
DWN/MS	APPD.	DATE	SCALE
		11-8-83	X
		HEAT TREAT.	PART NO.
			906-3129
		FINISH	REV.
			C

## ROUTINE MAINTENANCE & SERVICE

BECAUSE OF THE SOLID STATE ELECTRONIC CIRCUITRY, THIS MACHINE SHOULD REQUIRE VERY LITTLE MAINTENANCE, AND ONLY OCCASSIONAL ADJUSTMENT. HOWEVER, IT IS NECESSARY TO TAKE STEPS TO INSURE THIS.

THE VOLUME CONTROL IS LOCATED ON THE PRINTED CIRCUIT BOARD AND CAN BE ACCESSED THROUGH THE REAR CABINET DOOR.

THE VIDEO MONITOR HAS BEEN PROPERLY ADJUSTED BEFORE SHIPPING. OCCASSIONALLY MINOR ADJUSTMENTS ARE NECESSARY. TECHNICAL INFORMATION, ALONG WITH SCHEMATICS, CAN BE FOUND IN THIS MANUAL. ADJUSTMENT CONTROLS FOR THE MONITOR ARE LOCATED ON THE REAR OF THE MONITOR.

"DO NOT MAKE ANY ADJUSTMENTS ON THIS MACHINE WHILE THE POWER IS ON!" THIS MACHINE SHOULD ONLY BE ADJUSTED BY A "QUALIFIED" TECHNICIAN.

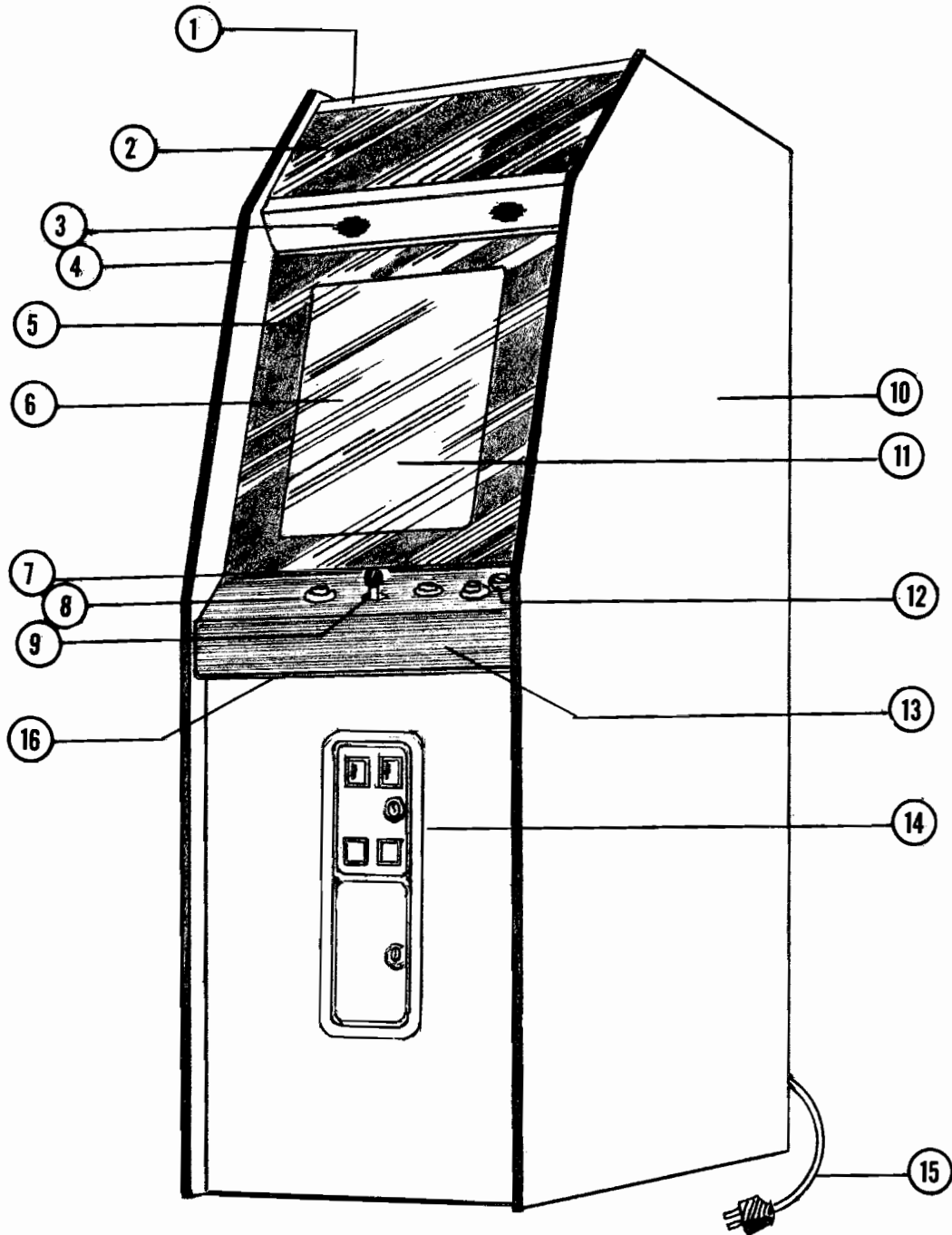
FOR SERVICE INFORMATION, CONTACT:

CENTURI, INC.  
CUSTOMER SERVICE DEPARTMENT  
#800-327-7710 (OUTSIDE THE STATE OF FLORIDA)  
#(305) 558-5200 (IN FLORIDA)

### POWER SUPPLY

THE COMPUTER BOARD IN THIS GAME OPERATES MOST EFFICIENTLY AND RELIABLY WHEN THE POWER SUPPLY IS SET SO THE VOLTAGE ON THE BOARD IS 5.0 VOLTS,  $\pm$  0.1 VOLT. TO CHECK THIS, PLACE A METER ACROSS 5 VOLTS AND GROUND, AT THE EDGE CONNECTOR. IF NECESSARY, ADJUST THE SCREWDRIVER CONTROL ON THE POWER SUPPLY, SO THE METER READS BETWEEN 4.9 AND 5.1 VOLTS.

CABINET FRONT VIEW  
FIGURE-2



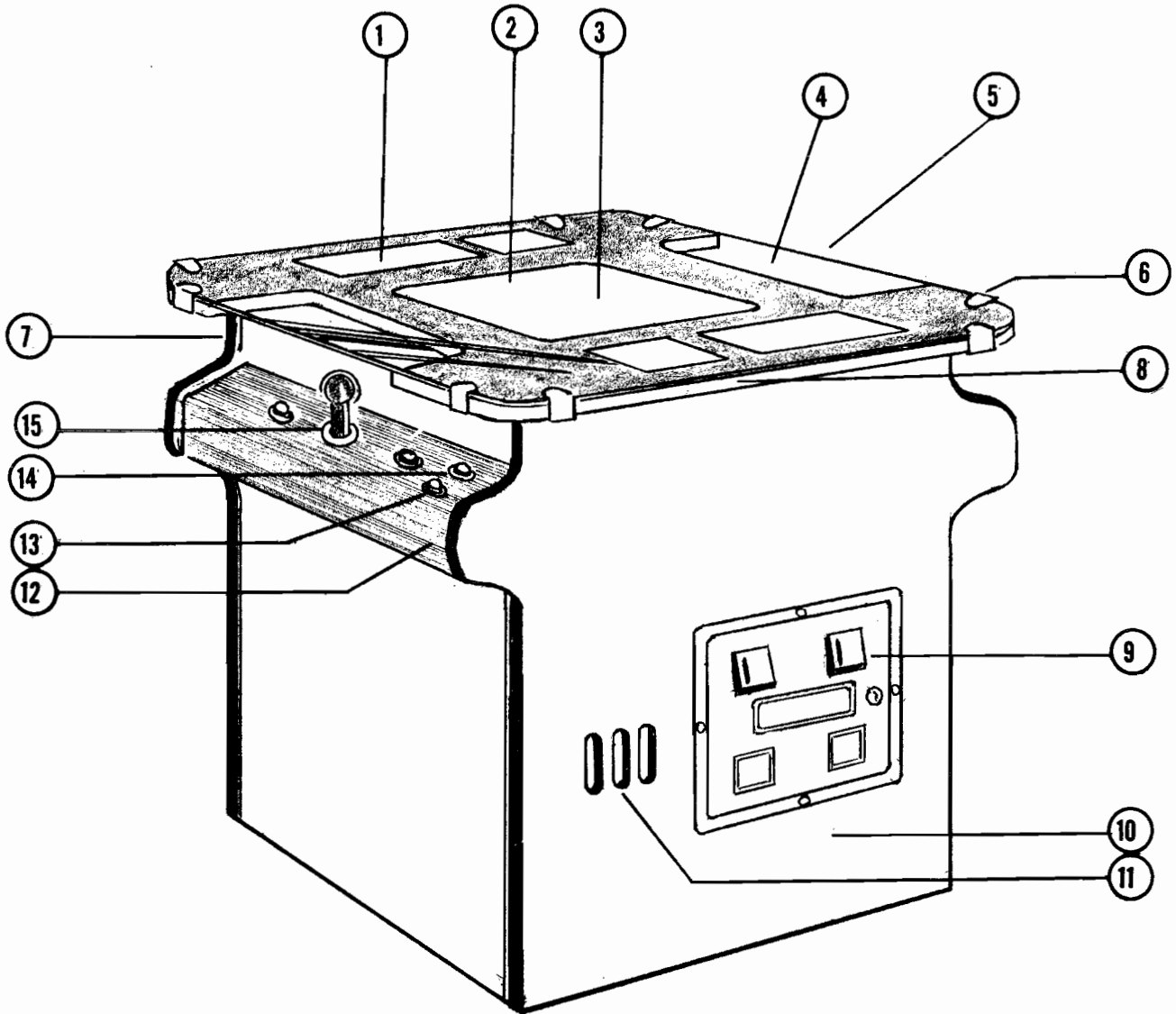
CABINET FRONT VIEW, UPRIGHT

PARTS LIST

<u>ITEM</u>	<u>CENTURI P/N</u>	<u>DESCRIPTION</u>
1	302-2705	MARQUEE TOP HOLDING BRACKET
2	802-3109	MARQUEE, CIRCUS CHARLIE
3	403-1171	SPEAKER, 8 OHM, 6 WATT
	305-2650	SPEAKER SCREEN
4	803-0965	VINYL TRIM
5	804-3136	MONITOR BEZEL
6	605-0957	VIEWING GLASS, #2094
7	302-2858	CONTROL PANEL ANGLE BRACKET
8	701-1171	PUSH BUTTON ASS'Y, RED
	409-1163	SWITCH & HOLDER ASS'Y
	103-0951	PAL NUT
9	702-1184	JOYSTICK ASS'Y, 2 WAY LEAF SW., MONROE
10	801-3098	SIDE GRAPHIC DECAL, LEFT
	801-3099	SIDE GRAPHIC DECAL, RIGHT
11	406-2055	19" COLOR MONITOR, W/G 19K4951
12	701-1170	PUSH BUTTON ASS'Y, WHITE
	409-1163	SWITCH & HOLDER ASS'Y
	103-0951	PAL NUT
13	609-3178	CONTROL PANEL WITH OVERLAY
	801-3102	CONTROL PANEL OVERLAY, ONLY
14	009-4699	MINI COIN DOOR, COIN CONTROLS, INC.
15	402-1511	A.C. POWER CORD
16	306-2661	CONTROL PANEL HINGE

CABINET FRONT VIEW

FIGURE-3



COCKTAIL TABLE  
CABINET FRONT VIEW

PARTS LIST

<u>ITEM</u>	<u>CENTURI P/N</u>	<u>DESCRIPTION</u>
1	908-3133	GAME & PLAYER INSTRUCTION CARD
2	804-3130	MONITOR BEZEL, 19 INCH
	406-2055	19" COLOR MONITOR, W/G 19K4951
3	605-0976	TOP COVER PLEXI-GLASS
4	802-3115	TOP GLASS, SILKSCREENED
5	609-3180	CONTROL PANEL & OVERLAY, 2ND PLAYER
	801-3135	CONTROL PANEL OVERLAY,(ONLY),2ND PLAYER
6	302-2708	TOP GLASS BRACKET
7	803-0965	VINYL "T" MOLDING, 3/4 X 140 IN.
8	803-0969	VINYL "T" MOLDING, 1 X 115 IN.
9	009-4697	STD. COIN DOOR, WICO
10	017-0960	CASH BOX
	303-2646	CASH BOX COVER, WICO DOOR ONLY
11	403-1173	SPEAKER, 8 OHM, 6 WATT
	305-2650	SPEAKER SCREEN
12	609-3179	CONTROL PANEL & OVERLAY, 1ST PLAYER
	801-3134	CONTROL PANEL OVERLAY,(ONLY), 1ST PLAYER
13	701-1171	PUSH BUTTON ASS'Y, RED
14	701-1170	PUSH BUTTON ASS'Y, WHITE
	409-1163	SWITCH & HOLDER ASS'Y
	103-0951	PAL NUT
15	702-1184	JOYSTICK, 2 WAY LEAF SWITCH ASS'Y, MONROE
	607-4852	(NOT SHOWN) ISOLATION TRANSFORMER,110/220VAC



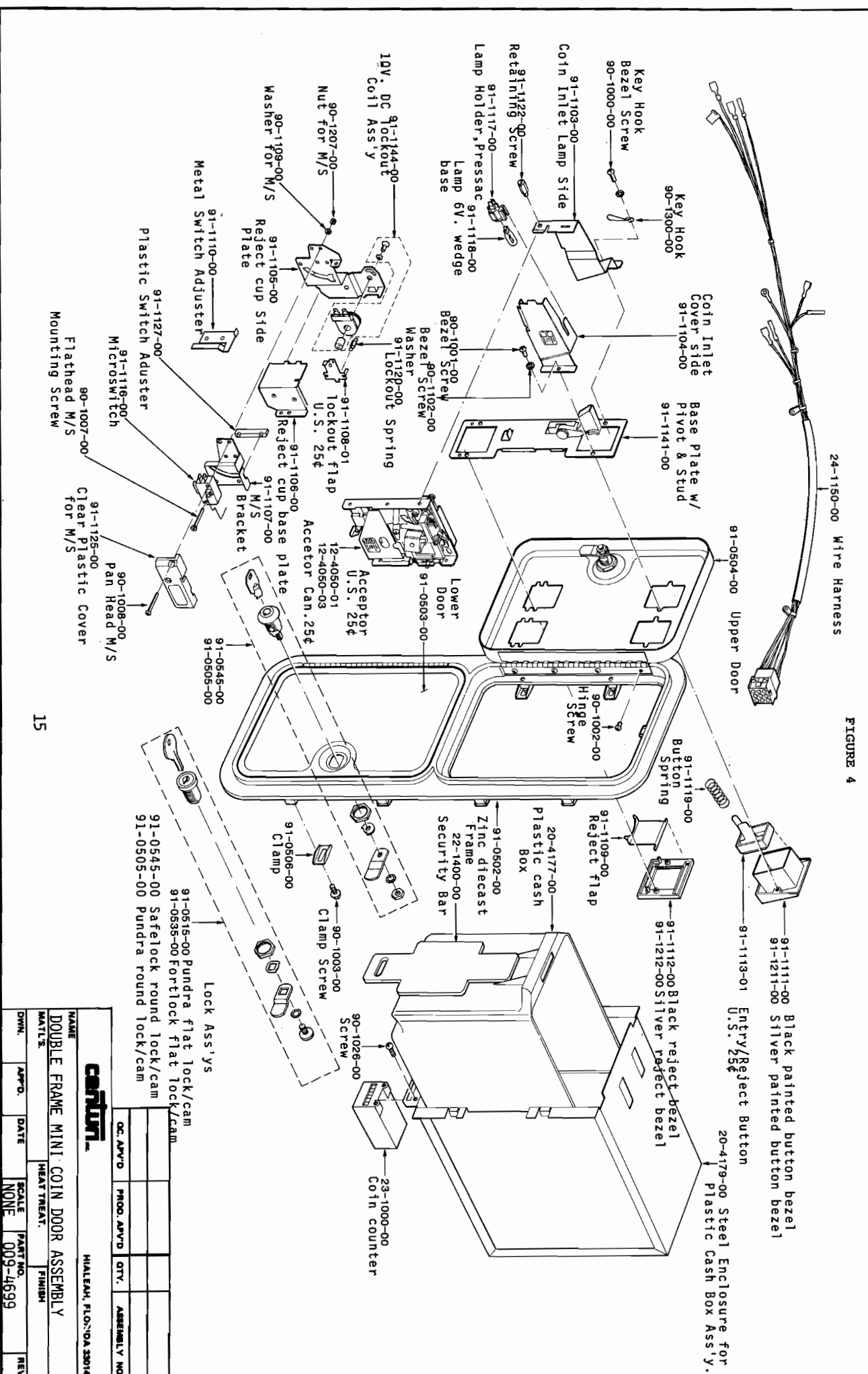


FIGURE 4

NAME		HIALEAH, FLORIDA 33014	
DOUBLE FRAME MINI COIN DOOR ASSEMBLY			
MATERIAL		FINISH	
HEAT TREAT.			
SCALE	PART NO.	REV.	
NONE	009-4699		
DATE	APP'D.	QTY.	ASSEMBLY NO.
CC. APP'D.	PROD. APP'D.		

THE MATERIAL CONTAINED HEREIN IS CONFIDENTIAL AND NO PART OF IT CAN BE REPRODUCED WITHOUT THE EXPRESSED PERMISSION OF CENTURI, INC.

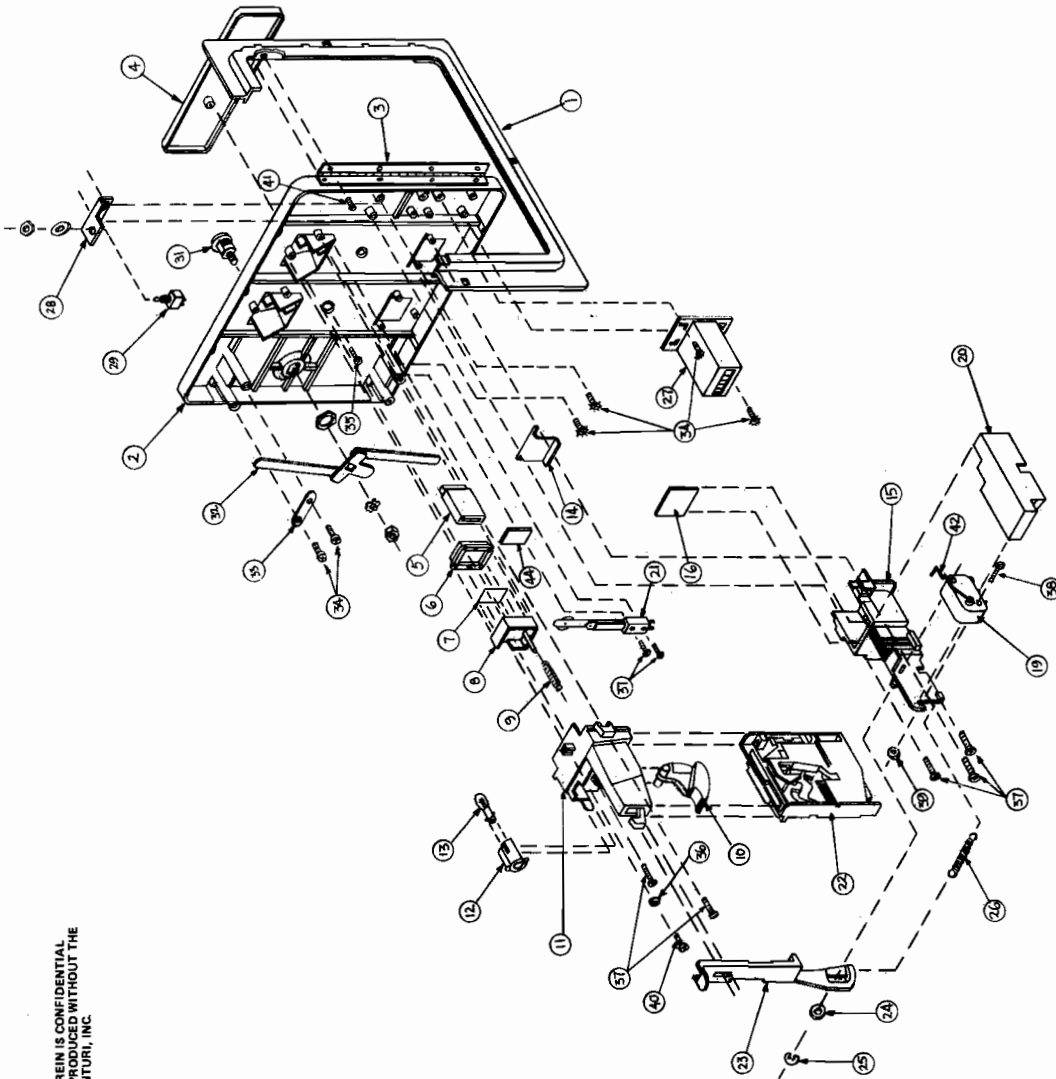


FIGURE 5

WICO PIN 15-8291-02

DC. APVD		PRD. APVD		QTY.		ASSEMBLY NO.	
NAME		HIALEAH, FLORIDA 33014					
STG. SINGLE COIN DOOR w/2 COIN ENTRY							
MATERIALS		HEAT TREAT.		FINISH			
DWN. DATE		SCALE		PART NO.		REV.	
8-8-83		N		009-4697			
<p><b>TOLERANCES</b>          Unless Otherwise Specified</p> <p>FRACTIONS ± 1/32          DECIMALS 2 PL ± .015          DECIMALS 3 PL ± .005          HOLES ± .003          ANGLES ± 1/2°          SHT. MET. BENDS ± 2°</p>							
REV. LET.	ECN NO.	REVISION	BY				

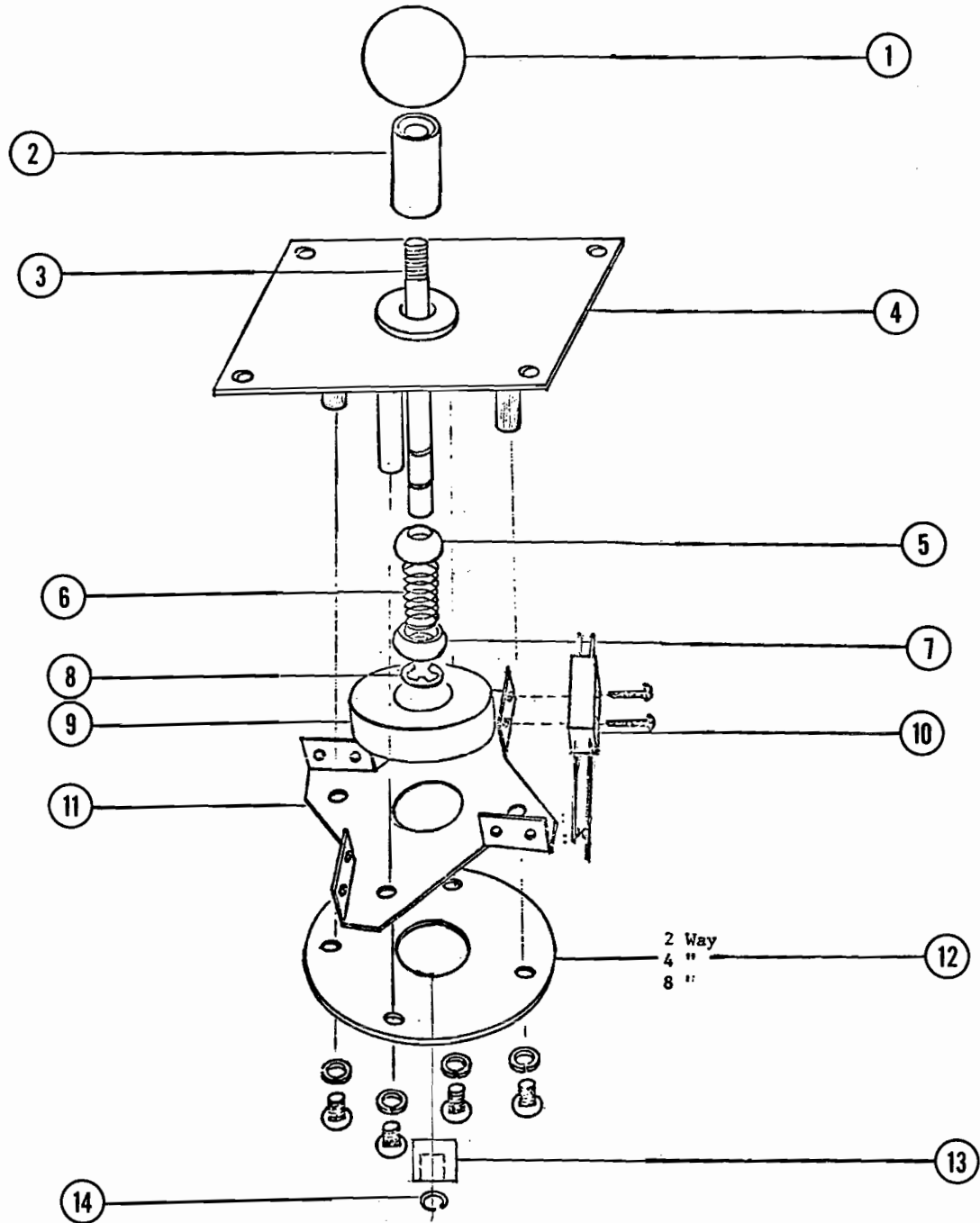
STANDARD COIN DOOR  
WICO P/N 15-8281-01

PARTS LIST

<u>ITEM NO.</u>	<u>Wico P/N</u>	<u>Description</u>	<u>Req'd</u>
1	15-8039	Door Frame	1
2	15-8038	Door	1
3	30-9125	Hinge	1
4	15-8117	Nameplate, Centuri	1
5	15-8074	Coin Entry Plate	2
6	15-8072	Push Button, Cover	2
7	26-0583	Label, Push to reject, 25¢	2
8	15-8071	Push Button	2
9	30-7722	Compression Spring	2
10	15-8084	Reject Lever	2
11	15-8075	Coin Chute	2
12	15-9419	Lamp Holder Ass'y	2
13	21-0044	Miniature Lamp, 6V	2
14	15-8083	Coin Return Door	2
15	15-8081	Coin Box	2
16	15-8092	Guard	2
19	23-1347	Coin Switch	2
20	15-8043	Switch Cover	2
21	15-1255	Slam Switch	1
22	31-4015	Plastic Coin Acceptor, 25¢	2
23	15-8086	Coin Acceptor Retainer	2
24	30-1790	Washer, .255 ID x .625 OD x .037" Thick	2
25	30-0931	"E" Ring, ¼"	2
26	30-7372	Extension Spring	2
27	31-4550	Coin Counter, 6VDC, W/Brkt	1
28	15-8113	Bracket	1
29	23-1370	Service Switch	1
31	34-1855	Lock Ass'y, 5/8"	1
32	55-2905	Lock Cam Ass'y	1
33	55-2909	Lock Cam Plate	2
34	30-3001	M.S. Pan Hd, Phil.#6-32 x ¼"lg	9
35	30-0164	M.S. F/Hd, Phil.#6-32 x 3/8"lg	2
36	30-1921	Washer, .165 ID x .475 OD x .032" Thick	2
37	30-2826	M.S. Fil/Hd. Phil.#6-32 x 7/16"lg	12
38	30-2818	M.S. Rd/Hd. #4-40 x 7/8" lg	2
39	30-1213	Hex. Nut, #4-40	2
40	30-2778	M.S. Fil/Hd. Phil.#6-32 x ½"lg	2
41	30-2833	M.S.Pan/Hd. Phil. #6-32 x 3/16"lg	9
42	23-1348	Wire Form (Coin Switch)	2
43	97-0007	Door Cable Ass'y	1
44	26-3125	Double Sided Tape (3M) ½"x½"	1
45	15-8107	Key Hook	1

EXPLODED VIEW OF JOYSTICK ASS'Y  
2-4-8 WAY JOYSTICK

FIGURE 6

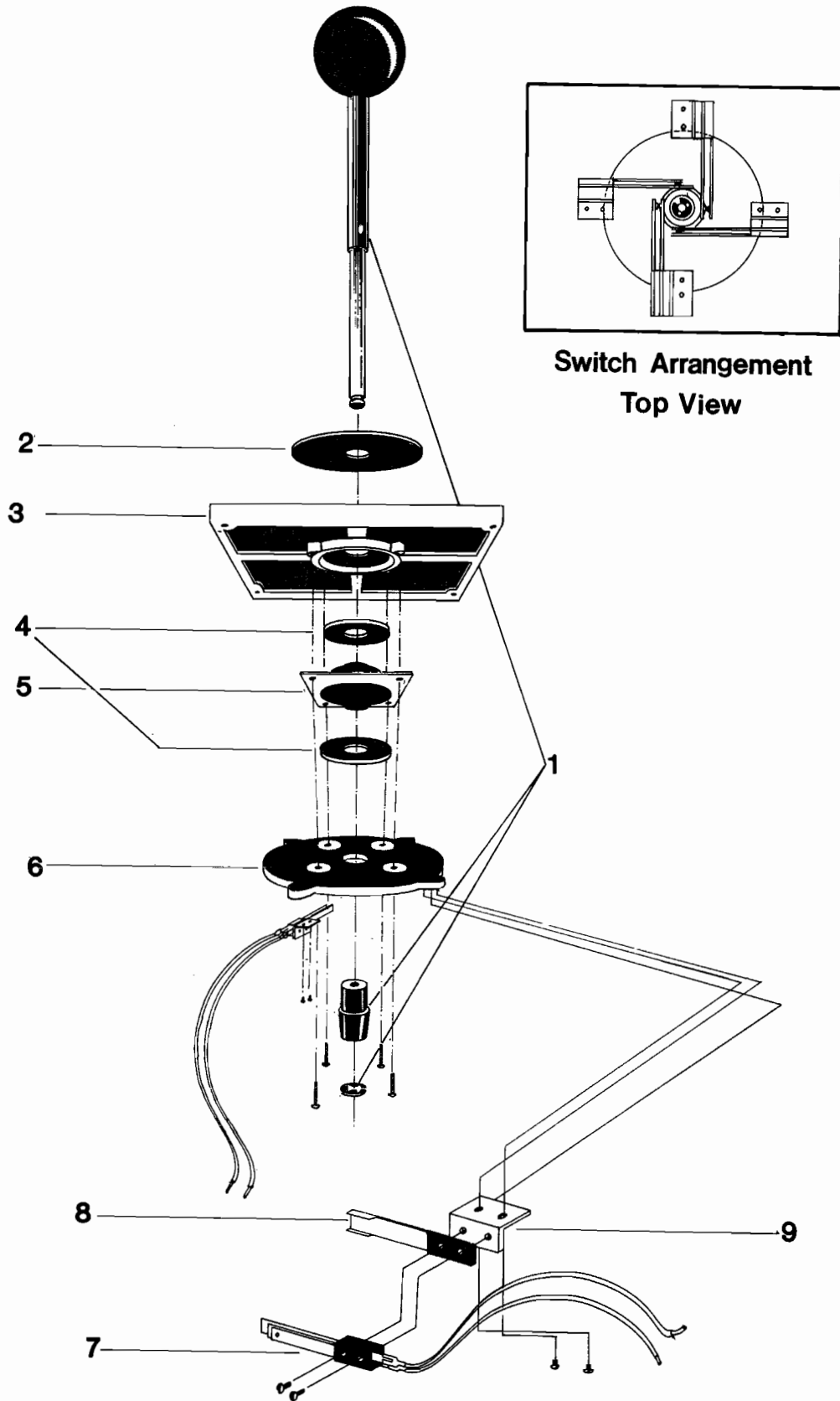


MONROE JOYSTICK

PARTS LIST

<u>ITEM</u>	<u>CENTURI P/N</u>	<u>DESCRIPTION</u>
1	409-1183	1 3/8 O.D. BALL
2	607-0028	SPACER
3	607-0029	SHAFT
4	409-1186	TOP PLATE WELDING ASS'Y
5	409-1187	TOP BALL
6	409-1188	SPRING
7	409-1189	BOTTOM BALL
8	409-1190	E-RING
9	409-1191	NYLON ACTUATOR
10	409-1182	MOLDED BLADE SWITCH, WICO
11	409-1195	BOTTOM SUPPORT PLATE
12	409-1192	2 WAY FUNCTION PLATE
	409-1193	4 WAY FUNCTION PLATE
	409-1194	8 WAY FUNCTION PLATE
13	702-1199	ROLLER
14	702-1200	C-RING

FIGURE 7



EXPLODED VIEW OF JOY STICK ASS'Y.

WICO JOYSTICK ASS'Y P/N 409-1180

PARTS LIST

<u>ITEM</u>	<u>CENTURI P/N</u>	<u>DESCRIPTION</u>
1	607-0003	KNOB & SHAFT ASSEMBLY
2	607-0004	PLASTIC WASHER 2" DIAMETER
3	607-0005	TOP PLATE
4	607-0006	BOTTOM WASHER, WICO 15950501
5	607-0007	DIAPHRAGM, WICO 15952301
6	607-0008	SW. MOUNTING PLATE, WICO 15954201
7	607-0010	MOLDED BLADE SW., WICO 15108401
8	607-0009	ACTUATOR GUARD, WICO 15954501
9	607-0011	SW. MOUNTING BRKT., WICO 15950601

THE MATERIAL CONTAINED HEREIN IS CONFIDENTIAL AND NO PART OF IT CAN BE REPRODUCED WITHOUT THE EXPRESSED PERMISSION OF CENTURI, INC.

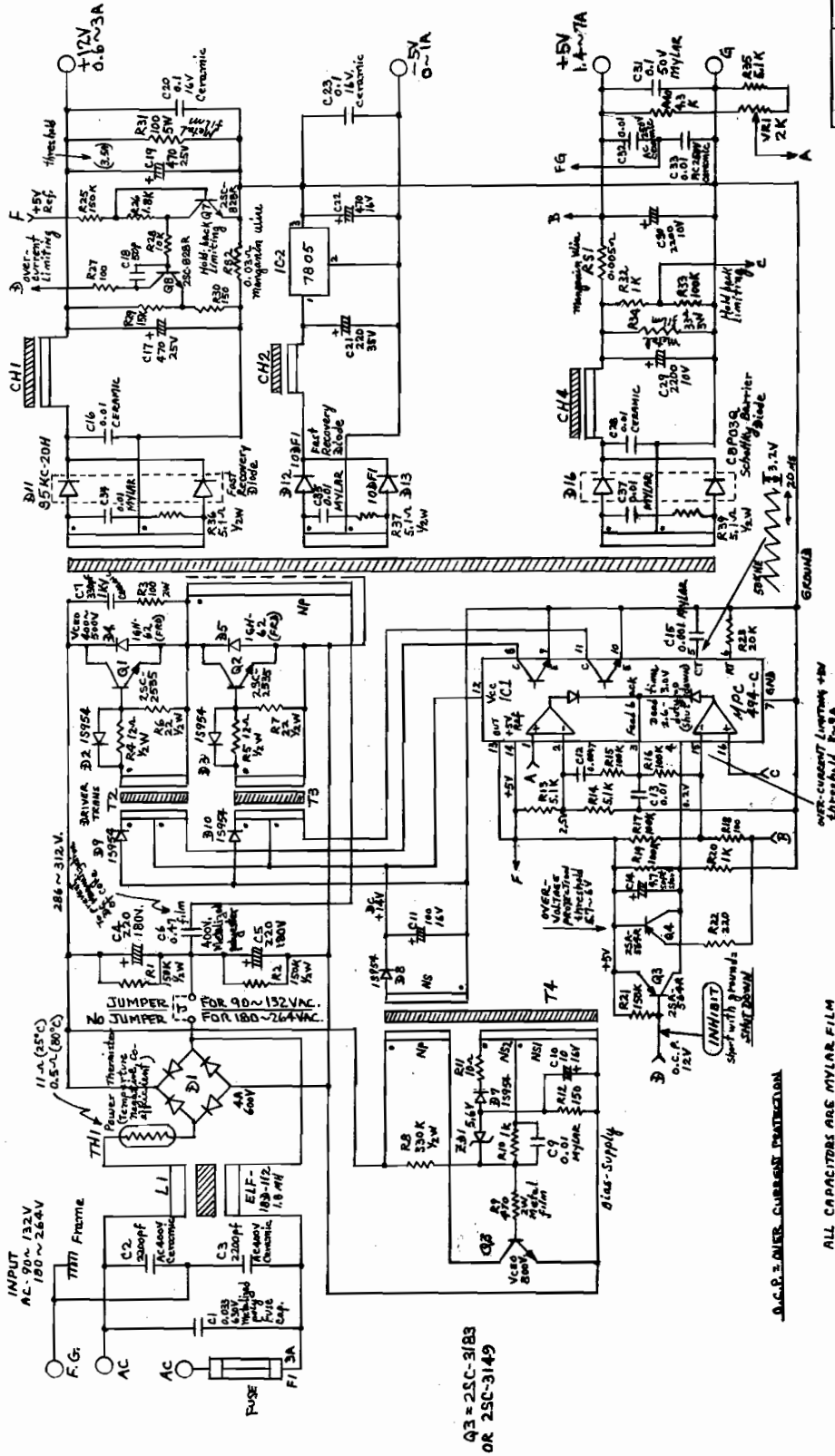


FIGURE 8  
POWER SUPPLY  
P N 414-202D

ALL CAPACITORS ARE MYLAR FILM UNLESS INDICATED.  
ALL RESISTORS ARE CARBON 1/4 WATT UNLESS INDICATED.

A.C.P. OVER-CURRENT PROTECTION

OVER-CURRENT LIMITING +5V SUPPLY 0-1A

Q3 = 2SC-3183  
OR 2SC-3149

REV. LET.	ECN NO.	REVISION	BY	DATE	SCALE	PART NO.	REV.
				4-30-63	1/2"	905-4907	
						FINISH	
						HEAT TREAT.	
						QTY.	
						PROD. APP'D	
						ASSEMBLY NO	
						HIALEAH, FLORIDA 33014	
						NAME	
						PAL SWITCHING POWER SUPPLY, PSR-703-AE	
						MAT'L.	

centuri



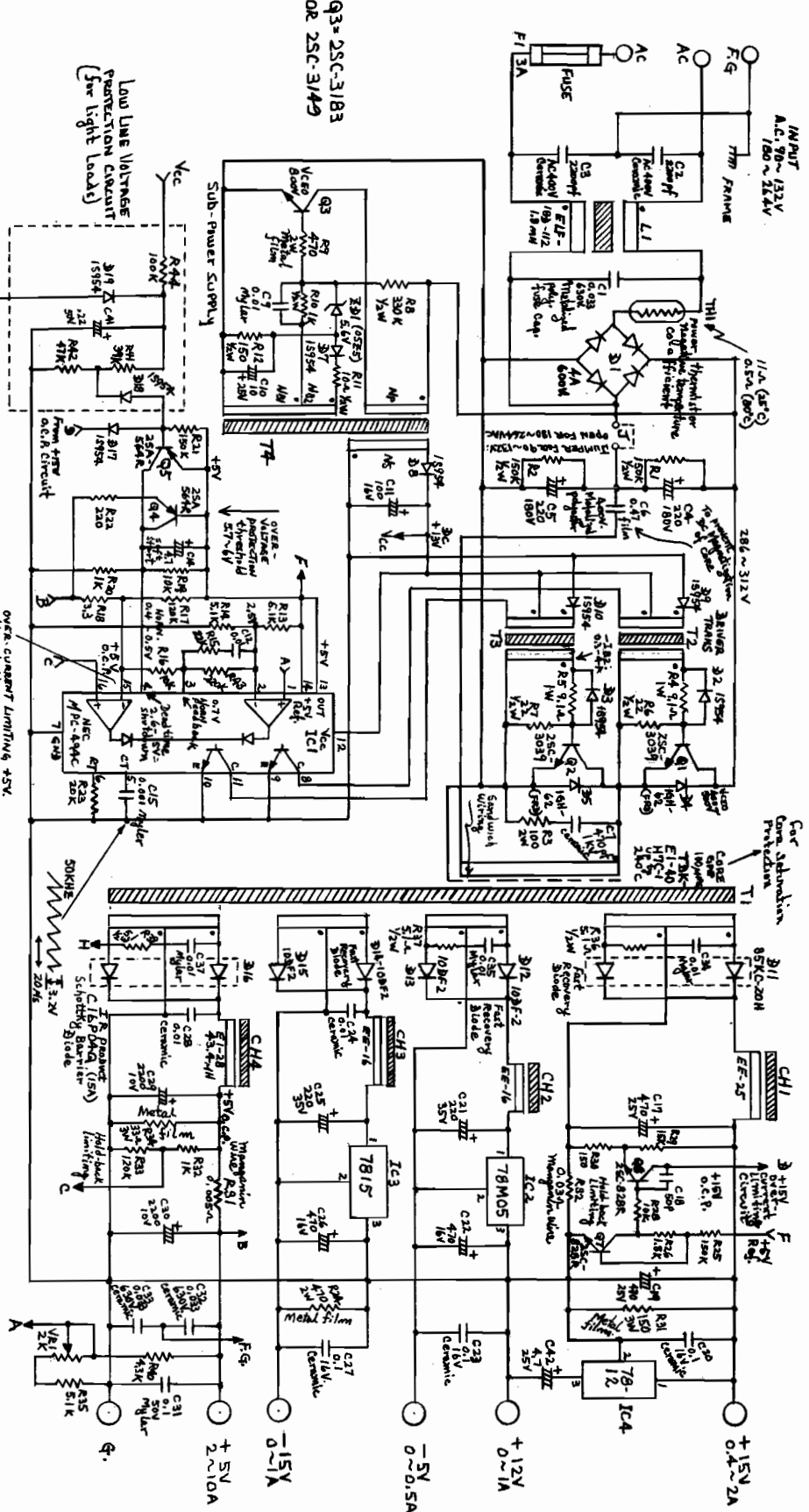
Power Supply PSR-703AE  
PARTS LIST (414-2020)

<u>Symbol</u>	<u>Description</u>	<u>Qty</u>
D1	Bridge Stack, RB-40, 600V	1
D4,D5	Fast Recovery Diode, 1GH62	2
D2,D3,D7, D8,D9,D10	Switching Diode, 1S1554	6
D11	Fast Recovery Diode, S5KC20H	1
D12,D13	Fast Recovery Diode, 10DF1	2
D16	Schotky Barrier Diode, C8P030	1
ZD1	Zener Diode, 05Z, 5.6V, 500mw	1
Q1,Q2	Power Transistor, 2SC2553	2
Q3	Power Transistor, 2SC2831	1
Q4,Q5	Transistor, 2SA564R	2
Q6,Q7	Transistor, 2SC828R	2
IC 1	Switching Control, UPC494C	1
IC 2	Regulator IC, 7805 (1A)	1
T1	Power Transformer, SM2335	1
T2,T3	Driver Transformer, SM2215B	2
T4	Power Transformer (Sub) SM2376	1
CH1	Choke Transformer, SM2219	1
CH2	Choke Transformer, SM2376B	1
CH4	Choke Transformer, SM2366	1
L1	AC Line Filter, ELF-18D-112	1
TH1	Power Thermistor, TD18-010	1
C2,C3	Ceramic Capacitor, 2200pf, AC400V	2
C1	Capacitor, Metalized, 0.033mf, 600V	1
C6	" " , 0.47mf, 50V	1
C15	" , Mylar, 0.001mf, 50V	1
C9,C13,C34, C35,C37	" " , 0.01mf	5
C12	" " , 0.0047mf	1
C31	" " , 0.1mf	1
C18	Capacitor, Ceramic, 50pf, 50V	1
C7	" " , 330pf, 1kv	1
C16,C28	" " , 0.01mf, 16V	2
C20,C23	" " , 0.1mf, 16V	2
C14	Capacitor,Electrolytic, 4.7mf, 25V	1
C10	" " , 10mf, 16V	1
C11	" " , 100mf, 16V	1
C21	" " , 220 mf, 35V	1
C22	" " , 470mf, 16V	1
C17,C19	" " , 470mf, 25V	2
C29,C30	" " , 2200mf, 10V	2
C4, C5	" " , 220mf, 180V	2
R31	Resistor,Cement, 270 ohm, 5W	1
R34	" , Oxide Metal Film, 33 ohm, 3W	1
R9	" " " " , 470 ohm,2W	1
R3	" " " " , 100 ohm,2W	1

POWER SUPPLY PSR-703AE  
PART LIST (414-2020)

<u>Symbol</u>	<u>Description</u>	<u>Qty</u>
R36,R37,R39	Resistor, Carbon, 5.1 ohm, 1/2 W	3
R4,R5	" " , 12 ohm, 1/2 W	2
R6,R7	" " , 22 ohm, 1/2 W	2
R1,R2	" " , 150K ohm, 1/2 W	2
R8	" " , 330K ohm, 1/2 W	1
R12	" " , 150 ohm, 1/4 W	1
R10	" " , 1K ohm, 1/4 W	1
R11	" " , 10 ohm, 1/4 W	1
R40	" " , 3.9K ohm, 1/4 W	1
R35	" " , 5.1K ohm, 1/4 W	1
R18,R27	" " , 100 ohm, 1/4 W	2
R30	" " , 180 ohm, 1/4 W	1
R22	" " , 220 ohm, 1/4 W	1
R32	" " , 1K ohm, 1/4 W	1
R26	" " , 1.8K ohm, 1/4 W	1
R12,R14	" " , 5.1K ohm, 1/4 W	2
R28	" " , 10K ohm, 1/4 W	1
R29	" " , 15K ohm, 1/4 W	1
R23	" " , 20K ohm, 1/4 W	1
R19	" " , 6.8K ohm, 1/4 W	1
R15,R16,R17,R33	" " , 100K ohm, 1/4 W	4
R21	" " , 150K ohm, 1/4 W	1
R25	" " , 270K ohm, 1/4 W	1
R20	" " , 390 ohm, 1/4 W	1
VR1	Semi-fixed resistor, GFD6-B 3K	1
RS1	Manganese Metal Wire, A-2145	1
RS2	Manganese Metal Wire, 1.0 Ø x 55m/m	1
F1	Fuse, 3 amp.	1
	Fuse Holder, F-207	1

THE MATERIAL CONTAINED HEREIN IS CONFIDENTIAL AND NO PART OF IT CAN BE REPRODUCED WITHOUT THE EXPRESSED PERMISSION OF CENTURI, INC.



NOTE:  
ALL CAPACITORS ARE MYLAR-FILM  
UNLESS INDICATED.  
ALL RESISTORS ARE CARBON 1/4 WATT  
UNLESS INDICATED.

FIGURE 9  
POWER SUPPLY  
P/N 414-2021

DC APVD	PROD APVD	QTY.	ASSEMBLY NO.

TOLERANCES		NAME	
FRACTIONS	± 1/32	PAL SWITCHING POWER SUPPLY, PSR-1105-AP	
DECIMALS 2 PL.	± .015	DATE 8-1-83	
DECIMALS 3 PL.	± .003	SCALE 2	
HOLES	± .001	PART NO. 905-4908	
ANGLES	± 1/2°	REV.	
SHT. MET BENDS	± 2°		
BY		HEAT TREAT.	
REV. LET.		FINISH	
ECN NO.		HOLEAN, FLORIDA 33014	
REVISION			

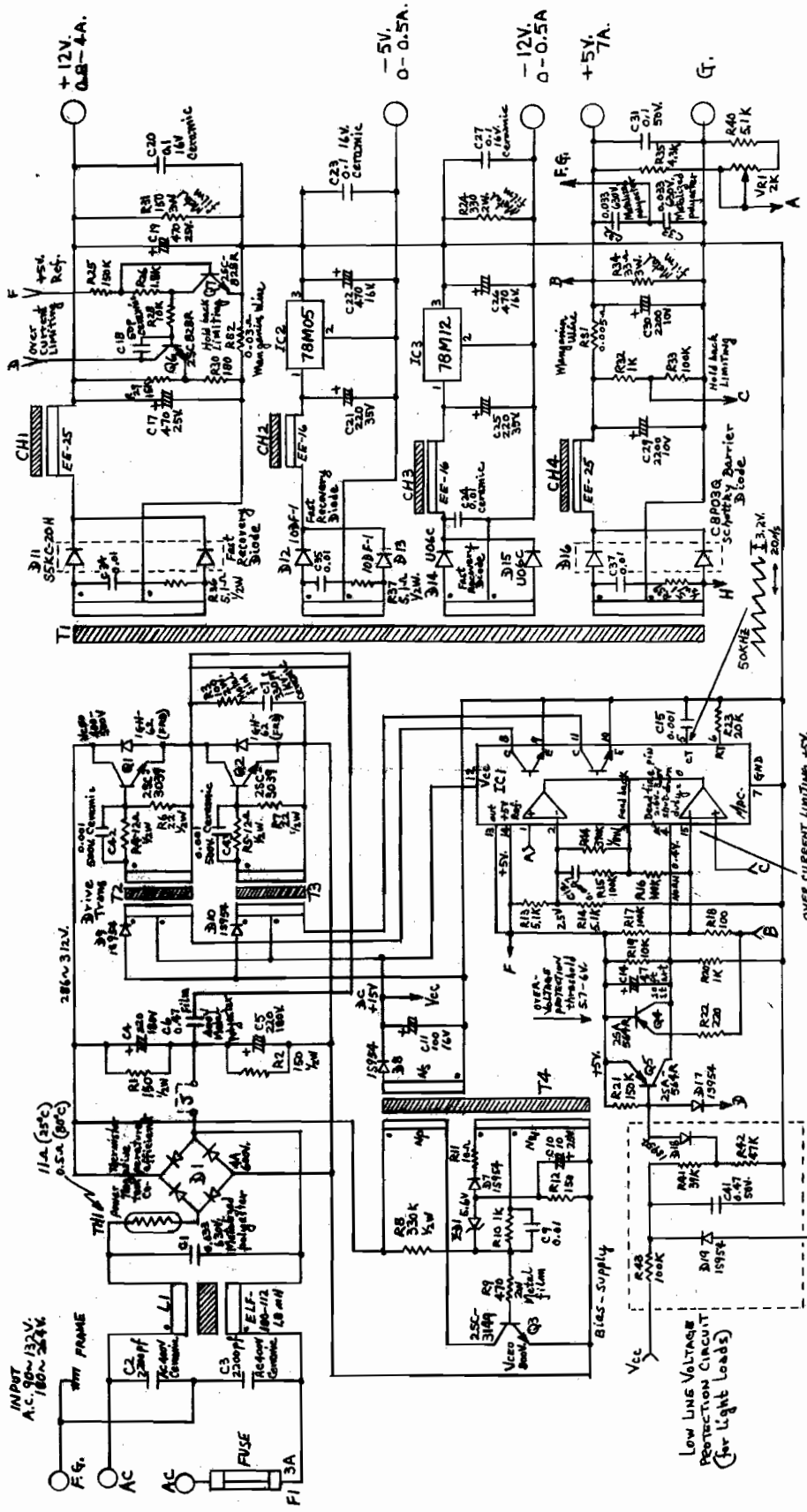
Power Supply PSR-1105AP  
PARTS LIST (414-2021)

<u>Symbol</u>	<u>Description</u>	<u>Qty</u>
D1	Bridge Rectifier, S4VB-600V	1
D2,3,7,8,9, 10,17,18,19	Switching Diode, 1S954	9
D4,5	Fast Recovery Diode, 1GH62, 400V	2
D12,13,14,15	Fast Recovery Diode, 10DF-2, 200V	4
D11	Fast Recovery Diode, S5KC20H, 200V	1
D16	Schottky Barrier Diode, C16P04Q	1
ZD1	Zener Diode, 05Z5, 6A, 5.6V, 500mw	1
Q1,2	Power Transistor, 2SC3039	2
Q3	Power Transistor, 2SC3149	1
Q4,5	Transistor, 2SA564R	2
Q6,7	Transistor, 2SC828R	2
IC1	Switching Control, mPC494C, NEC	1
IC2	Regulator, 78M05	1
IC3	Regulator, 7815	1
IC4	Regulator, 7812	1
T1	Power Transformer, SM-2405	1
T2,3	Driver Transformer, SM-2215B	2
T4	Sub-Power Supply Transformer, SM-2399	1
CH1	EE-25, Choke Inductor, SM-2374	1
CH2,3	EE-16, Choke Inductor, SM-2367	2
CH4	EI-28, Choke Inductor, SM-2391	1
L1	AC Line Filter, ELF-18D-112	1
TH1	Power N.T.C. Thermistor, TD18-010	1
C1,32,33	Capacitor, Metalized Polyester, 0.033mf, 630V	3
C2,3	Capacitor, Ceramic, 2200pf, AC 400V, $\pm 20\%$	2
C4,5	Capacitor, Electrolytic, 220mf, 180V	2
C6	Capacitor, Metalized Polyester, 0.47mf, 400V	1
C7	Capacitor, Ceramic, 470pf, 1KV	1
C9,12,34,35,37	Capacitor, Mylar Film, 0.01mf, 50V	5
C10	Capacitor, Electrolytic, 10mf, 25V	1
C11	Capacitor, Electrolytic, 100mf, 16V	1
C14,42	Capacitor, Electrolytic, 4.7mf, 25V	2
C15	Capacitor, Polyester Film, 0.001mf, 50V	1
C17,19	Capacitor, Electrolytic, 470mf, 25V	2
C18	Capacitor, Ceramic, 50pf, 50V	1
C20,23,27,28	Capacitor, Ceramic, 0.1mf, 16V	4
C21,25	Capacitor, Electrolytic, 220mf, 35V	2
C22,26	Capacitor, Electrolytic, 470mf, 16V	2
C24	Capacitor, Ceramic, 0.01mf, 50V	1
C29,30	Capacitor, Electrolytic, 2200mf, 10V	2
C31	Capacitor, Mylar Film, 0.1mf, 50V	1
C41	Capacitor, Electrolytic, 0.22mf, 50V	1
R1,2	Resistor, Carbon Film, 150K Ohm, $\frac{1}{2}W$ , $\pm 5\%$	2
R3	Resistor, Metal Film, 100 Ohm, 2W, $\pm 5\%$	1
R4,5	Resistor, Metal Film, 9.1 Ohm, 1W, $\pm 5\%$	2
R6,7	Resistor, Carbon Film, 22 Ohm, $\frac{1}{2}W$ , $\pm 5\%$	2

Power Supply PSR-1105AP  
PARTS LIST (414-2021)

<u>Symbol</u>	<u>Description</u>	<u>Qty</u>
R8	Resistor,Carbon Film, 330K Ohm, $\frac{1}{2}$ W, $\pm 5\%$	1
R9	Resistor,Metal Film, 470 Ohm, 2W, $\pm 5\%$	1
R10	Resistor,Mini-Metal Film,1K Ohm, $\frac{1}{2}$ W, $\pm 5\%$	1
R11	Resistor,Mini-Metal Film, 10 Ohm, $\frac{1}{2}$ W, $\pm 5\%$	1
R12	Resistor,Mini-Metal Film,150 Ohm, $\frac{1}{2}$ W, $\pm 5\%$	1
R13,14,35	Resistor,Carbon Film, 5.1K Ohm, $\frac{1}{4}$ W, $\pm 5\%$	3
R15	Resistor,Carbon Film, 22K Ohm, $\frac{1}{4}$ W, $\pm 5\%$	1
R16,19,28	Resistor,Carbon Film, 10K Ohm, $\frac{1}{4}$ W, $\pm 5\%$	3
R17,33	Resistor,Carbon Film, 120K Ohm, $\frac{1}{4}$ W, $\pm 5\%$	2
R18	Resistor,Carbon Film, 3.3 Ohm, $\frac{1}{4}$ W, $\pm 5\%$	1
R20	Resistor,Carbon Film, 1K Ohm, $\frac{1}{4}$ W, $\pm 5\%$	1
R21,25	Resistor,Carbon Film, 150K Ohm, $\frac{1}{4}$ W, $\pm 5\%$	2
R22	Resistor,Carbon Film, 220 Ohm, $\frac{1}{4}$ W, $\pm 5\%$	1
R23	Resistor,Carbon Film, 20K Ohm, $\frac{1}{4}$ W, $\pm 5\%$	1
R24	Resistor,Metal Film, 470 Ohm, 2W, $\pm 5\%$	1
R26	Resistor,Carbon Film, 1.8K Ohm, $\frac{1}{4}$ W, $\pm 5\%$	1
R29	Resistor,Carbon Film, 15K Ohm, $\frac{1}{4}$ W, $\pm 5\%$	1
R30	Resistor,Carbon Film, 150 Ohm, $\frac{1}{4}$ W, $\pm 5\%$	1
R31	Resistor,Metal Film, 150 Ohm, 3W, $\pm 5\%$	1
R32	Resistor,Carbon Film, 1K Ohm, $\frac{1}{4}$ W, $\pm 5\%$	1
R34	Resistor,Metal Film, 33 Ohm, 3W, $\pm 5\%$	1
R36,39	Resistor,Metal Film, 5.1 Ohm, $\frac{1}{2}$ W, $\pm 5\%$	2
R37	Resistor,Carbon Film, 5.1 Ohm, $\frac{1}{2}$ W, $\pm 5\%$	1
R40	Resistor,Carbon Film, 4.3K Ohm, $\frac{1}{4}$ W, $\pm 5\%$	1
R41	Resistor,Carbon Film, 39K Ohm, $\frac{1}{4}$ W, $\pm 5\%$	1
R42	Resistor,Carbon Film, 47K Ohm, $\frac{1}{4}$ W, $\pm 5\%$	1
R43	Resistor,Carbon Film, 220K Ohm,1/8W, $\pm 5\%$	1
R44	Resistor,Carbon Film, 100K Ohm, $\frac{1}{4}$ W, $\pm 5\%$	1
RS1	Resistor,Wire Manganin,A-2145,0.005 Ohm,2 $\emptyset$	1
RS2	Resistor,Wire Manganin,A-2256,0.03 Ohm, 1 $\emptyset$	1
VR1	Potentiometer, Mini Type, 2K Ohm	1
F1	Fuse, 3 Ampere	1

THE MATERIAL CONTAINED HEREIN IS CONFIDENTIAL AND NO PART OF IT CAN BE REPRODUCED WITHOUT THE EXPRESSED PERMISSION OF CENTURI, INC.



NOTE:  
ALL CAPACITORS ARE MYLAR-FILM UNLESS INDICATED.  
ALL RESISTORS ARE CARBON 1/4-WATT UNLESS INDICATED.

FIGURE 10  
POWER SUPPLY PIN  
4/4-2023

TOLERANCES		HIALEAH, FLORIDA 33014	
Unless Otherwise Specified		OC. AP'VD	ASSEMBLY NO
FRACTIONS	± 1/32	PROD. AP'VD	QTY.
DECIMALS 2 PL	± .015		
DECIMALS 3 PL	± .006		
HOLES	+ .003		
ANGLES	± .001		
SHT. MET BENDS	± 1/2°		
REV. LET. NO.	REVISION	DATE	SCALE
		7-23-83	1
		HEAT TREAT.	FINISH
		PAL SWITCHING POWER SUPPLY, PSR-804-RT	
		MATERIALS	
		NAME	
		HIALEAH, FLORIDA 33014	
		PART NO. 905-4914	
		REV.	

Power Supply PSR-804AT  
PARTS LIST (414-2023)

<u>Symbol</u>	<u>Description</u>	<u>Qty</u>
D1	Bridge Rectifier, RB-40, 600V	1
D4,5	Fast Recovery Diode, 1GH62	2
D7,8,9,10		
D17,18,19	Switching Diode, 1S954	7
D11	Fast Recovery Diode, S5KC20H	1
D12,13,14,15	Fast Recovery Diode, 10DF1	4
D16	Shottky Barrier Diode, C8P03Q	1
ZD1	Zener Diode, 05Z5, 5.6V, 500mW	1
Q1,2	Power Transistor, 2SC3039	2
Q3	Power Transistor, 2SC3149	1
Q4,5	Transistor, 2SA564R	2
Q6,7	Transistor, 2SC828R	2
IC1	Control I.C., PC494C	1
IC2	Regulator, 78M05	1
IC3	Regulator, 78M12	1
T1	Power Transformer, SM-2385	1
T2,3	Driver Transformer, SM-2215B	2
T4	Sub-Power Supply Transformer, SM-2399	1
CH1	EE25 Choke, SM-2374	1
CH2,3	EE16 Choke, SM-2367B	2
CH4	EE25 Choke, SM-2366	1
L1	Line Filter, ELF-18D-112	1
TH1	Power Thermistor, TD18-010	1
C1,32,33	Capacitor, Metalized polyester, 0.033, 630V.	3
C2,3	Capacitor, Ceramic, 2200pf, AC400V.	2
C4,5	Capacitor, Electrolytic, 220mf, 180V.	2
C6	Capacitor, Metalized polyester, 0.47mf, 400V.	1
C7	Capacitor, Ceramic, 330pf, 1KV	1
C9,34,35,37	Capacitor, Mylar Film, 0.01mf, 50V.	4
C10	Capacitor, Electrolytic, 10mf, 25V.	1
C11	Capacitor, Electrolytic, 100mf, 16V.	1
C12	Cap. Mylar Film, 0.0047mf, 50V.	1
C14	Capacitor, Electrolytic, 4.7mf, 25V.	1
C15	Capacitor, Polyester, 0.001mf, 50V.	1
C17,19	Capacitor, Electrolytic, 470mf, 25V.	2
C18	Capacitor, Ceramic, 50pf	1
C20,23,27	Capacitor, Ceramic, 0.1mf, 16V.	3
C21,25	Capacitor, Electrolytic, 220mf, 35V.	2
C22,26	Capacitor, Electrolytic, 470mf, 16V.	2
C24	Capacitor, Ceramic, 0.01mf, 50V.	1
C29,30	Capacitor, Electrolytic, 2200mf, 10V.	2
C31	Capacitor, Mylar Film, 0.1mf, 50V.	1
C41	Capacitor, Electrolytic, 0.47mf, 50V.	1
C42,43	Capacitor, Ceramic, 0.001mf, 500V.	2
R1,2	Resistor, Carbon, 150K Ohm, 1/2W.	2
R3	Resistor, Metal Oxide, 100 Ohm, 2W	1
R4,5	Resistor, Carbon, 12 Ohm, 1/2W	2
R6,7	Resistor, Carbon, 22 Ohm, 1/2W.	2
R8	Resistor, Carbon, 330K Ohm, 1/2W.	1

Power Supply PSR-804AT  
PARTS LIST (414-2023)

<u>Symbol</u>	<u>Description</u>	<u>Qty</u>
R9	Resistor, Metal Oxide, 470 Ohm, 2W.	1
R10,20,32	Resistor, Carbon, 1K Ohm, $\frac{1}{4}$ W.	3
R11	Resistor, Carbon, 10 Ohm, $\frac{1}{4}$ W.	1
R12	Resistor, Carbon, 150 Ohm, $\frac{1}{4}$ W.	1
R13,14,40	Resistor, Carbon, 5.1K Ohm, $\frac{1}{4}$ W.	3
R15,16,17,33	Resistor, Carbon, 100K Ohm, $\frac{1}{4}$ W.	4
R18	Resistor, Carbon, 100 Ohm, $\frac{1}{4}$ W.	1
R19,28	Resistor, Carbon, 10K Ohm, $\frac{1}{4}$ W.	2
R21,25	Resistor, Carbon, 150K Ohm, $\frac{1}{4}$ W.	2
R22	Resistor, Carbon, 220 Ohm, $\frac{1}{4}$ W.	1
R23	Resistor, Carbon, 20K Ohm, $\frac{1}{4}$ W.	1
R24	Resistor, Metal Oxide, 330 Ohm, 2W.	1
R26	Resistor, Carbon, 1.8K Ohm, $\frac{1}{4}$ W.	1
R29	Resistor, Carbon, 15K Ohm, $\frac{1}{4}$ W.	1
R30	Resistor, Carbon, 180 Ohm, $\frac{1}{4}$ W.	1
R31	Resistor, Metal Oxide, 150 Ohm, 3W.	1
R34	Resistor, Metal Oxide, 33 Ohm, 3W.	1
R35	Resistor, Carbon, 4.3K Ohm, $\frac{1}{4}$ W.	1
R36,37,39	Resistor, Carbon, 5.1 Ohm, $\frac{1}{4}$ W.	3
R41	Resistor, Carbon, 39K Ohm, $\frac{1}{4}$ W.	1
R42	Resistor, Carbon, 47K Ohm, $\frac{1}{4}$ W.	1
R43	Resistor, Carbon, 100K Ohm, $\frac{1}{4}$ W.	1
R44	Resistor, Carbon, 390K Ohm, $\frac{1}{8}$ W.	1
RS1	Resistor, Manganin wire, 0.005 Ohm (A2145)	1
RS2	Resistor, Manganin wire, 0.03 Ohm (A2256)	1
VR1	Mini-Potentiometer, 2K Ohm	1
F1	Fuse, 3 Ampere	1
FH1	Fuse Holder, F207	1



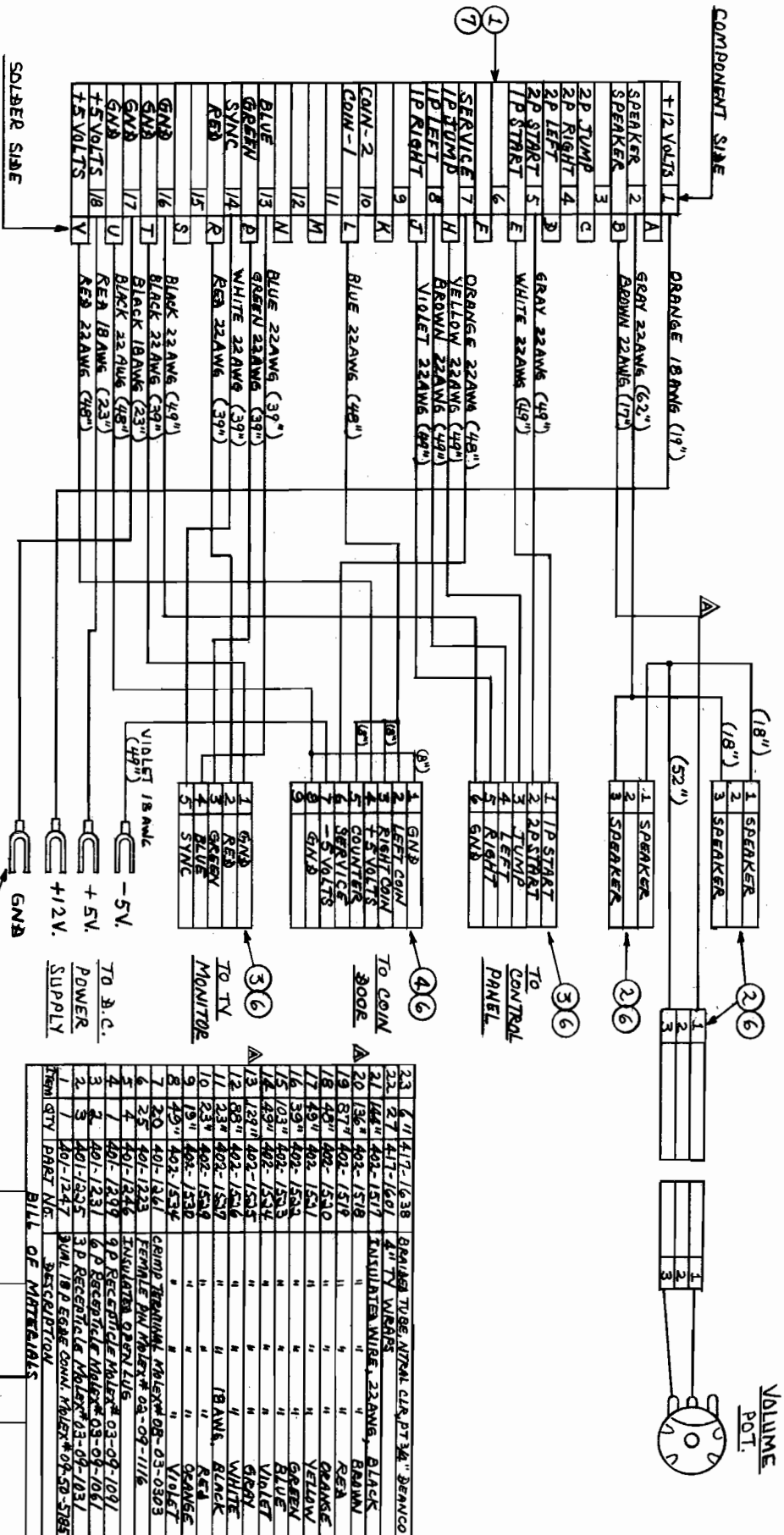


FIGURE 11

TOLERANCES  
Unless Otherwise Specified

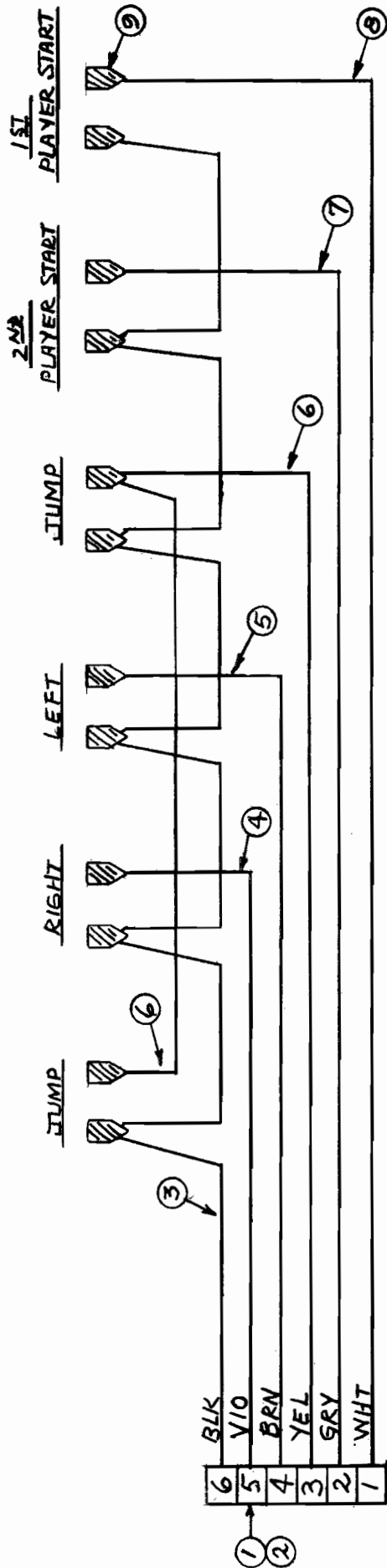
FRACTIONS ± 1/32  
DECIMALS 2 PL ± .015  
DECIMALS 3 PL ± .003

ANGLES ± 1/2°  
Holes ± .001  
SHT. MET BENDS ± 2°

NAME	CPU HARNESS - CIRCUS CHARLIE, W/R
MATERIALS	M.I.
DATE	12-27-83
SCALE	008-4928
HEAT TREAT.	
FINISH	
REV.	A
REV. LET.	4040 - CHG TO GRAY WIRE TO BRN, CHG TO GRAY O/I QTY FROM 49 TO 134 REVISION
ECN NO.	
BY	M.I.
SHI. MET BENDS	

THE MATERIAL CONTAINED HEREIN IS CONFIDENTIAL AND NO PART OF IT CAN BE REPRODUCED WITHOUT THE EXPRESSED PERMISSION OF CENTURI, INC.

FIGURE 12



Item	QTY	PART NO.	DESCRIPTION	DEM QTY	PART NO.	DESCRIPTION	DEM QTY	PART NO.	DESCRIPTION
5	32"	402-1518	INSULATED WIRE ZANGS, BRN	10	417-1601	4" TY WRAPS			
4	23"	402-1524	" " " VIOLET	9	401-1302	3/16" PUSH ON TERMINAL ETC #995			
3	80"	402-1517	" " " BLACK	8	402-1526	INSULATED WIRE ZANGS, WHITE			
2	6	401-1302	MALE PIN MOLEX #3-09-3076	7	402-1525	" " " GRAY			
1	1	401-1229	6 P PLUG MOLEX #3-09-3061	6	402-1521	" " " YELLOW			
BILL OF MATERIALS									

QC. APV'D	PROD. APV'D	QTY.	ASSEMBLY NO
		1	
<b>centuri</b> inc.			
HIALEAH, FLORIDA 33014			
NAME CNTRL PNL HARNESS-CIRCUS CHARLIE, U/R			
MATERIALS HEAT TREAT. FINISH			
DWN M.J.	APR'D <i>[Signature]</i>	DATE 12-28-83	PART NO. 008-4929
REV. LET.	SCALE X	REV. NO.	REV. A

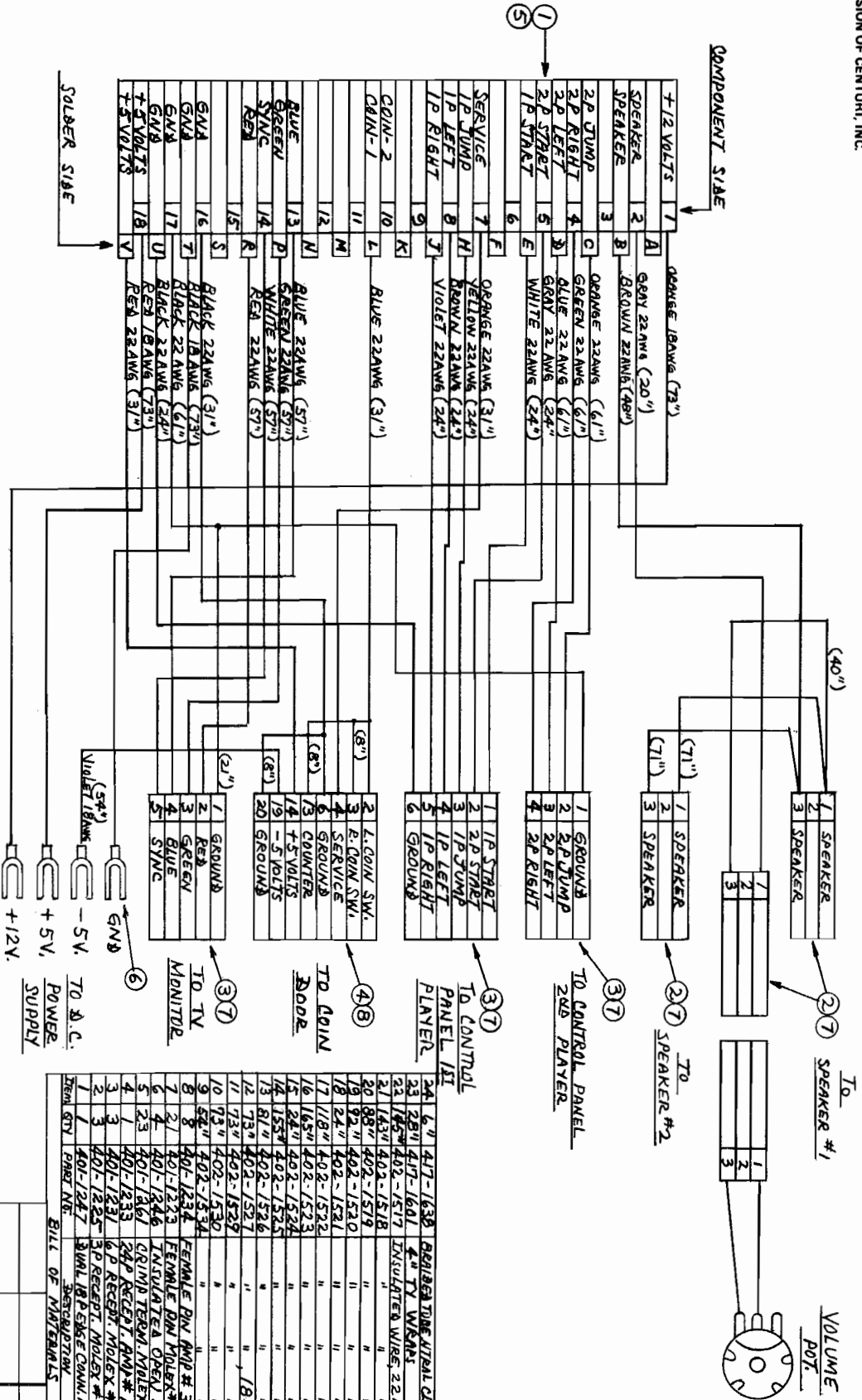


FIGURE 13

QTY	SIZE	DESCRIPTION	REVISION	DATE	BY	APPROVED
24	6"	417-1638				
23	28"	417-1601				
22	1/4"	402-1517				
21	14 1/2"	402-1518				
20	98"	402-1520				
19	82"	402-1521				
18	24"	402-1522				
17	1/8"	402-1523				
16	16 1/2"	402-1524				
15	24"	402-1525				
14	15 1/2"	402-1526				
13	81"	402-1527				
12	73"	402-1528				
11	73"	402-1529				
10	73"	402-1530				
9	5 1/2"	402-1534				
8	8"	401-1234				
7	2 1/2"	401-1235				
6	4"	401-1246				
5	2 3/4"	401-1247				
4	4"	401-1248				
3	4"	401-1249				
2	3"	401-1251				
1	1"	401-1252				

REVISIONS

1. 401-1252

2. 401-1251

3. 401-1251

4. 401-1251

5. 401-1251

6. 401-1251

7. 401-1251

8. 401-1251

9. 401-1251

10. 401-1251

11. 401-1251

12. 401-1251

13. 401-1251

14. 401-1251

15. 401-1251

16. 401-1251

17. 401-1251

18. 401-1251

19. 401-1251

20. 401-1251

21. 401-1251

22. 401-1251

23. 401-1251

24. 401-1251

REV.	REV. NO.	REVISION	BY	DATE	SCALE	PART NO.	FINISH	REV.
A	01	4041-01	MJ	12-28-83	X	008-4930	A	

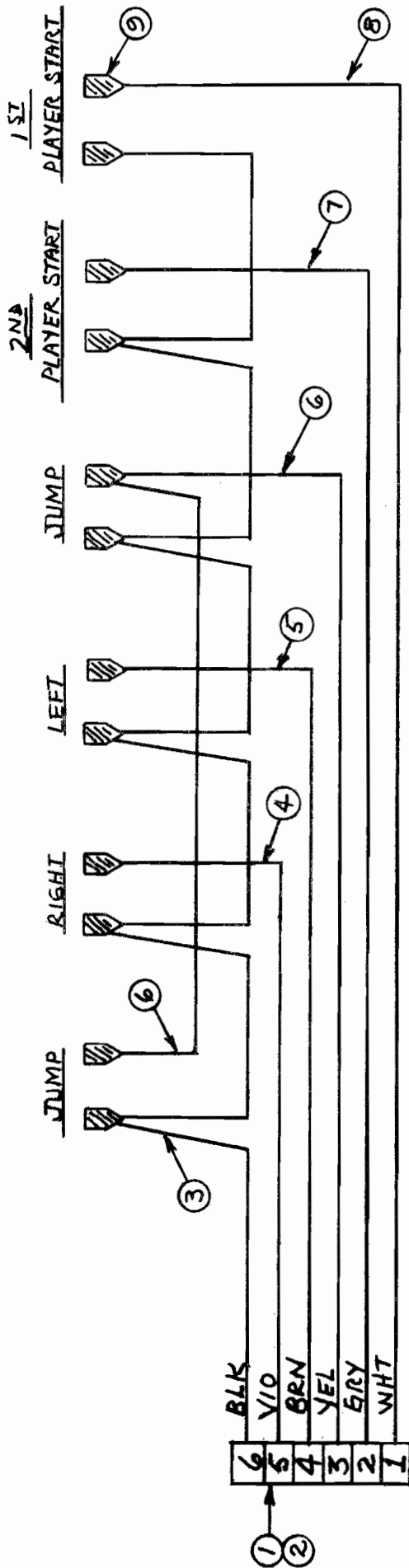
NAME: CPU HARNESS-CIRCUS CHARLIE, C/T

HALEAH, FLORIDA 33014

DC. APVD. PROD. APVD. QTY. ASSEMBLY NO.

THE MATERIAL CONTAINED HEREIN IS CONFIDENTIAL AND NO PART OF IT CAN BE REPRODUCED WITHOUT THE EXPRESSED PERMISSION OF CENTURI, INC.

FIGURE 14



ITEM	QTY	PART NO.	DESCRIPTION
5	23	402-1518	INSULATED WIRE, 22AWG, BROWN
4	21	402-1514	" " " " V/O LET
3	70	402-1517	" " " " BLACK
2	6	401-1322	MALE PIN MOLEX #03-09-2116
1	1	401-1329	6P PLUG MOLEX #03-09-2061
BILL OF MATERIALS			

TOLERANCES	
Unless Otherwise Specified	
FRACTIONS	± 1/32
DECIMALS 2 PL	± .015
DECIMALS 3 PL	± .005
HOLES	± .003
ANGLES	± .001
SHT. MET BENDS	± 1/2°
REV. LET.	A
ECN NO.	NO.
SCHEMATIC CORRECTIONS ONLY	
REVISION	
BY	MJ

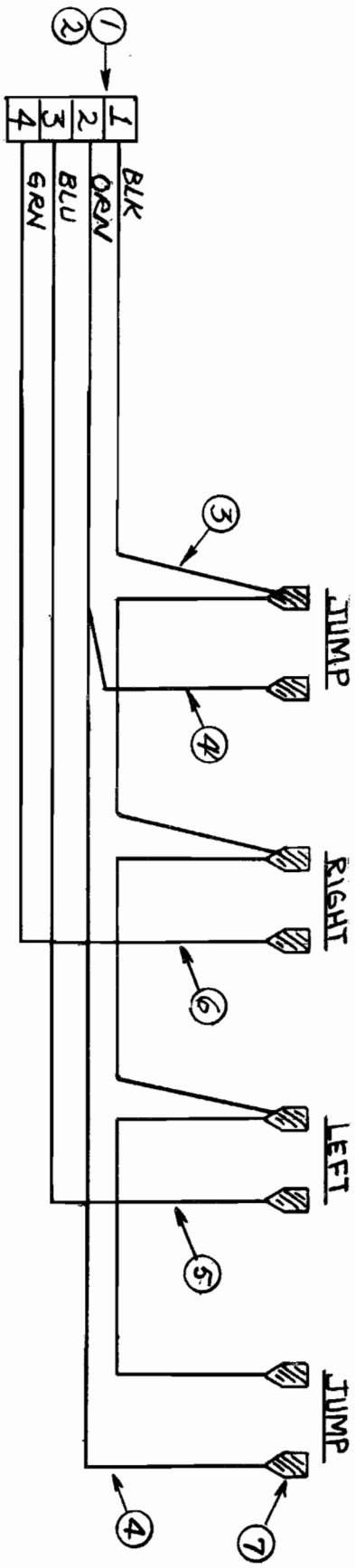
QC. APV'D	PROD. APV'D	QTY.	ASSEMBLY NO
		/	

centuri inc.		HIALEAH, FLORIDA 33014	
NAME			
CENTRL PNL HARNESS-1ST PLYR- CIRCUS CHARLIE, CRT			
MATT'S.		HEAT TREAT.	
DWN. APP'D. MJ.		DATE	SCALE
12-28-83		7X	PART NO.
008-4931		REV. A	

THE MATERIAL CONTAINED HEREIN IS CONFIDENTIAL AND NO PART OF IT CAN BE REPRODUCED WITHOUT THE EXPRESSED PERMISSION OF CENTURI, INC.

FIGURE 15



4	32"	402-1520	INSULATED WIRE, 22AWG, ORN	8	7	417-1601	4" TY WRAPS		
3	55"	402-1517	" " " " BLACK	7	8	401-1302	3/16" ASH ON TERMINAL ETC #095		
2	4	401-1222	MALE PIN MOLEXTM #02-09-2116	6	22"	402-1522	INSULATED WIRE, 22AWG, GREEN		
1	1	401-1229	6P PULL MOLEXTM #03-09-2061	5	26"	402-1523	" " " " BLUE		
ITEM QTY	PART NO.	DESCRIPTION	ITEM QTY	PREP NO.	DESCRIPTION	OC. APV'D	PROD. APV'D	QTY.	ASSEMBLY NO
BILL OF MATERIALS									
TOLERANCES									
Unless Otherwise Specified									
FRACTIONS ± 1/32									
DECIMALS 2 PL ± .015									
DECIMALS 3 PL ± .005									
HOLES + .003									
ANGLES - .001									
SHT. MET BENDS ± 1/2°									
SHT. MET BENDS ± 2°									

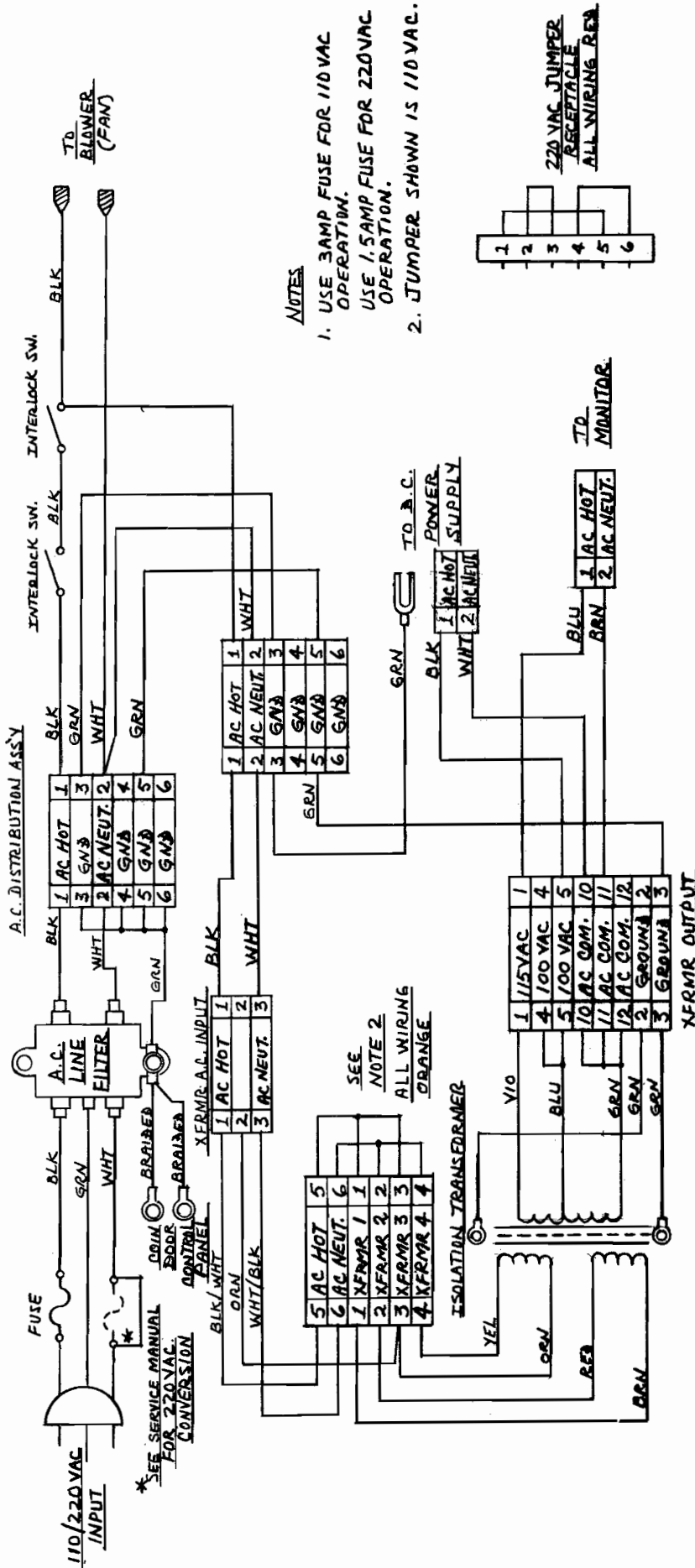
**centuri**  
HALEAH, FLORIDA 33014

NAME: CNTRL PNL HARNESS-2ND PLYR-CIRCUS CHARLIE, CT  
MATERIALS: \_\_\_\_\_  
FINISH: \_\_\_\_\_

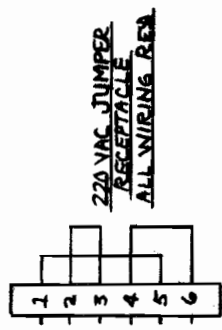
REV. LET.	ECN NO.	REVISION	BY	DWN	APP'D.	DATE	SCALE	PART NO.	REV.
A	4041-02	SCHEMATIC CORRECTIONS ONLY	NJ	NJ	[Signature]	12-28-83	X	008-4932	A

THE MATERIAL CONTAINED HEREIN IS CONFIDENTIAL AND NO PART OF IT CAN BE REPRODUCED WITHOUT THE EXPRESSED PERMISSION OF CENTURI, INC.

FIGURE 16



- NOTES
1. USE 3AMP FUSE FOR 110VAC OPERATION.
  2. USE 1.5AMP FUSE FOR 220VAC OPERATION.

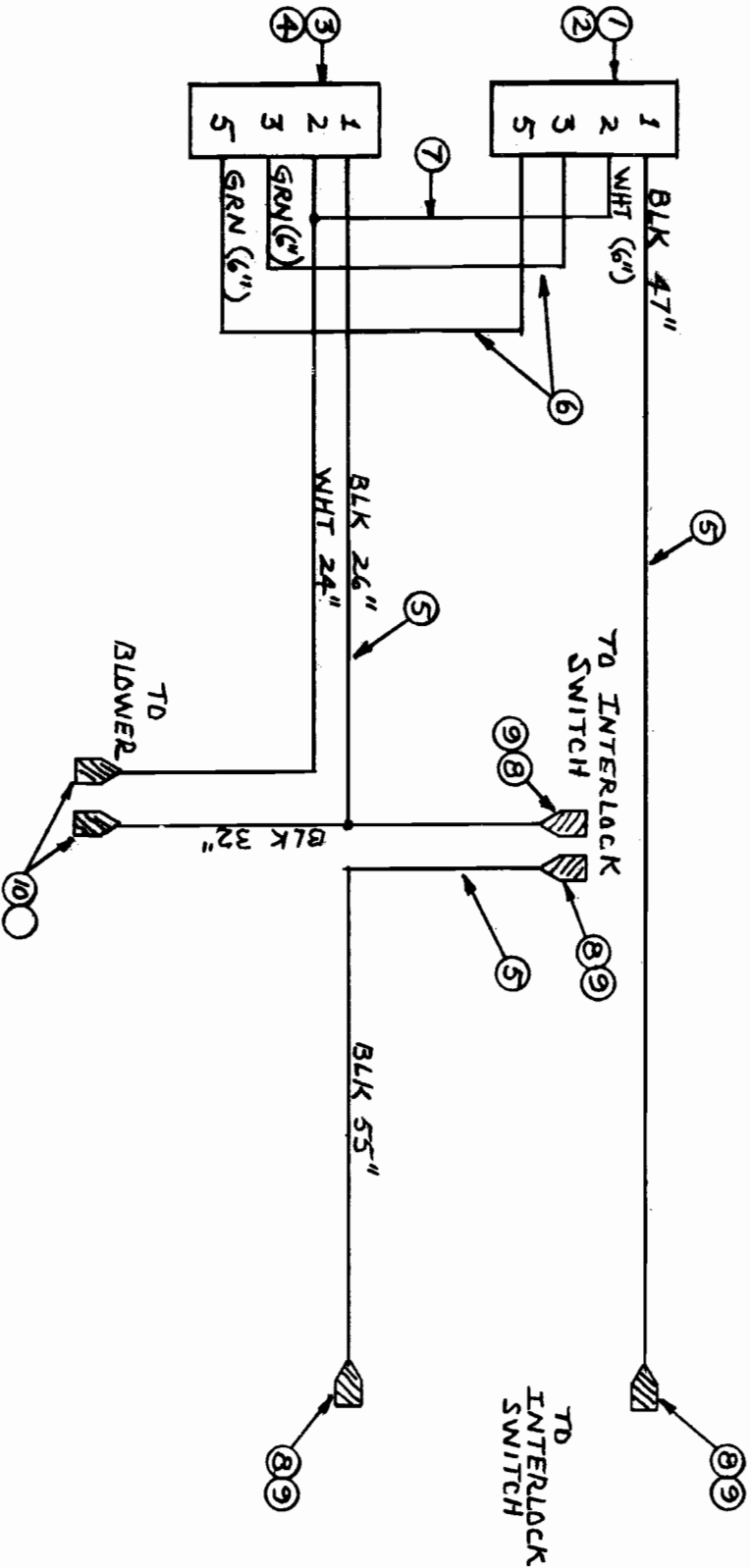


OC. APPVD		PROD. APPVD	QTY.	ASSEMBLY NO
<b>centuri</b>				
HIALEAH, FLORIDA 33014				
NAME: 110/220 VAC INTERCONNECT DIAGRAM, C/TABLE				
MATERIALS: HEAT TREAT.				
DATE: 4-27-63	SCALE: 2	PART NO: 904-0004	REV.	
APPROVED: M.A.	DATE: 4-27-63	SCALE: 2	REV.	

TOLERANCES		Unless Otherwise Specified	
FRACTIONS	±	1/32	
DECIMALS 2 PL	±	.015	
DECIMALS 3 PL	±	.008	
HOLE	±	.001	
ANGLES	±	1/2°	
SPT. MET BENDS	±	2°	

THE MATERIAL CONTAINED HEREIN IS CONFIDENTIAL AND NO PART OF IT CAN BE REPRODUCED WITHOUT THE EXPRESSED PERMISSION OF CENTURI, INC.

FIGURE 17



6	1/2"	402-1532	INSULATE WIRE, 18AWG, GREEN																						
5	1/6"	402-1527	"	BLACK	11	10	417-1601	4" TY WRAPS																	
4	4	401-1223	FEMALE PIN MOLEX #02-09-1116		10	2	401-1290	1/8" PUSH ON TERMINAL																	
3	1	401-1231	6 PIN RESET MOLEX #03-09-1061		9	6"	417-1609	1/4" D/A. HEAT SINK TUBING																	
2	4	401-1228	MALE PIN MOLEX #02-09-2116		8	4	401-1302	3/16" PUSH IN TERMINAL ETC #95																	
1	1	401-1229	6 PIN PLUS MOLEX #03-09-3061		7		402-1536	INSULATE WIRE, 18AWG, WHITE																	
QTY		PKT No.	DESCRIPTION		PKT No.		DESCRIPTION																		

BILL OF MATERIALS

TOLERANCES  
Unless Otherwise Specified

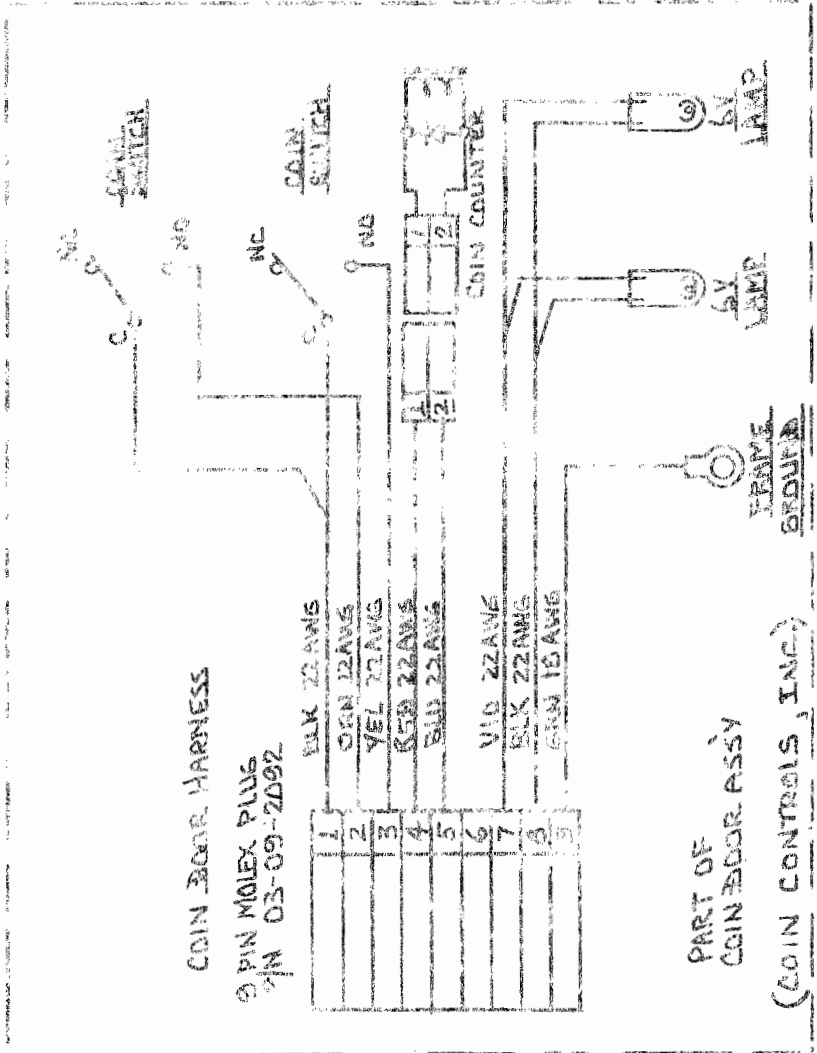
**centuri inc.**  
HIALEAH, FLORIDA 33014

NAME: **A/C INTERLOCK & FAN MOTOR HARNESS, C/T**

DWN: **MS**  
DATE: **1-18-84**  
SCALE: **X**  
PART NO.: **008-4896**  
REV.:

THE MATERIAL CONTAINED HEREIN IS CONFIDENTIAL AND NO PART OF IT CAN BE REPRODUCED WITHOUT THE EXPRESSED PERMISSION OF CENTURI, INC.

FIGURE 16



1	GROUND
2	LEFT COIN
3	RIGHT COIN
4	4.5 VOLTS
5	COUNTER
6	SERVICE
7	-5 VOLTS
8	GROUND
9	

9 PIN MOLEX RECEPTACLE  
P/N 03-09-1091  
PART OF CPU HARNESS

DC. APV'D	PROD. APV'D	QTY.	ASSEMBLY NO.
		1	
<b>CENTURI</b> MIAMI, FLORIDA 33014			
NAME		TABLE FRAME MINI - COIN DOOR WIRING DIAGRAM	
MATERIALS		HEAT TREAT. FINISH	
DWN. NO.	DATE	SCALE	PART NO.
NAJ	11-30-83	2	
REV. LET.	ECN NO.	REVISION	BY

TOLERANCES	
Unless Otherwise Specified	
FRACTIONS	± 1/32
DECIMALS 2 PL	± .015
DECIMALS 3 PL	± .005
HOLES	+ .003
ANGLES	± .001
SHT. MET BENDS	± 1/2°



CIRCUS CHARLIE  
CPU/LOGIC PC BOARD ASS'Y (010-4637)  
PARTS LIST

<u>DESCRIPTION</u>	<u>PART NO.</u>	<u>QTY</u>
74Ls00	501-0102	1
74Ls02	501-0105	1
74Ls04	501-0108	3
74Ls08	501-0153	1
74Ls10	501-0112	3
74Ls14	501-0169	1
74Ls30	501-0117	1
74Ls32	501-0156	3
74Ls74	501-0121	4
74Ls86	501-0125	10
74Ls107	501-0129	1
74Ls138	501-0200	3
74Ls139	501-0170	1
74Ls153	501-0131	5
74Ls157	501-0141	8
74Ls161	501-0137	4
74Ls164	501-0146	1
74Ls174	501-0135	1
74Ls175	501-0158	1
74Ls244	501-0214	2
74Ls245	501-0202	4
74Ls259	501-0190	1
74Ls273	501-0205	6
74Ls283	501-0207	2
74Ls293	501-0427	1
74Ls367	501-0176	2
74Ls374	501-0204	1
74Ls377	501-0182	5
·MB89001P-G	501-0469	1

CIRCUS CHARLIE  
CPU/LOGIC PC BOARD ASS'Y (010-4637)  
PARTS LIST

<u>DESCRIPTION</u>	<u>PART NO.</u>	<u>QTY</u>
IC, MB14082M-G	501-0470	1
IC, P/D2128-15	501-0074	3
IC, 2764-25	500-0023	2
IC, 2764-30	500-0026	11
IC, 2114AL-4	501-0077	2
IC, 2164-5	501-0477	8
IC, 6301-1, J16	500-0028	1
IC, 6331-1, J18	500-0027	1
IC, NE555	501-0224	1
TRANSISTOR, 2SA999	502-0401	1
TRANSISTOR, 2SC2320	502-0379	1
CRYSTAL, 18.432MHZ	507-0572	1
RESISTOR, 100 OHM, $\frac{1}{4}$ W,	503-0473	1
RESISTOR, 220 OHM, $\frac{1}{4}$ W,	503-0433	3
RESISTOR, 470 OHM, $\frac{1}{4}$ W,	503-0407	5
RESISTOR, 1K OHM, $\frac{1}{4}$ W,	503-0413	6
RESISTOR, 2.2K OHM, $\frac{1}{4}$ W,	503-0400	2
RESISTOR, 4.7K OHM, $\frac{1}{4}$ W,	503-0405	2
RESISTOR, 10K OHM, $\frac{1}{4}$ W,	503-0417	2
RES. ARRAY, 4.7K OHM, X4, 1/8W,	504-1043	3
RES. ARRAY, 4.7K OHM, X8, 1/8W	504-1045	1
CAP. LYTIC, 47MF, 10V.	516-0802	2
CAP. LYTIC, 220MF, 10V.	516-0822	1
CAP. LYTIC, 330MF, 10V.	516-0913	1
CAP. TANTALUM, 4.7MF, 35V.	519-0852	3
CAP. CERAMIC, 100PF, 50V.	515-0748	1
CAP. CERAMIC, 150PF, 50V.	515-0726	2
CAP. CERAMIC, 470PF, 50V.	515-0716	1
CAP. CERAMIC, 0.1MF, 50V.	515-0701	94
CAP. CERAMIC, 0.01MF, 50V.	515-0702	1

CIRCUS CHARLIE  
CPU/LOGIC PC BOARD ASS'Y (010-4637)

<u>DESCRIPTION</u>	<u>PART NO.</u>	<u>QTY</u>
DIODE, 10D1	510-0654	1
DIODE, 1S1588	510-0611	1
IC SOCKET, 42 PIN	514-1582	1
IC SOCKET, 40 PIN	514-1570	1
IC SOCKET, 28 PIN	514-1572	14
FLAT CONNECTOR, 40 PIN	401-1376	1
JACK & LEAD CONNECTOR	008-4794	1

SOUND PC BOARD ASS'Y (010-4638)

IC, 74LS02	501-0105	1
IC, 74LS04	501-0108	1
IC, 74LS08	501-0153	1
IC, 74LS74	501-0121	1
IC, 74LS138	501-0200	2
IC, 74LS174	501-0135	1
IC, 74LS253	501-0436	3
IC, 74LS367	501-0176	5
IC, 74LS374	501-0204	3
IC, 74LS393	501-0180	2
IC, Z80-A	501-0250	1
IC, 76489, SOUND GENERATOR	501-0467	2
IC, LA4460, AUDIO AMP.	501-0437	1
IC, UPC324c	501-0231	1
IC, MSM4066RS, CMOS	501-0212	1
IC, 2764-30	500-0026	2
IC, 2114-2	501-0077	2
TRANSISTOR, 2SC2320	502-0379	2
TRANSISTOR, 2SD361	502-0380	2
CRYSTAL, 14.318MHZ	507-0560	1

CIRCUS CHARLIE  
SOUND PC BOARD ASS'Y (010-4638)

<u>DESCRIPTION</u>	<u>PART NO.</u>	<u>QTY</u>
RESISTOR, 4.7 OHM, $\frac{1}{4}$ W,	503-0535	2
RESISTOR, 10 OHM, $\frac{1}{4}$ W,	503-0553	2
RESISTOR, 120 OHM, $\frac{1}{4}$ W,	503-0576	1
RESISTOR, 220 OHM, $\frac{1}{4}$ W,	503-0433	17
RESISTOR, 470 OHM, $\frac{1}{4}$ W,	503-0407	2
RESISTOR, 1K OHM, $\frac{1}{4}$ W,	503-0413	3
RESISTOR, 2.2K OHM, $\frac{1}{4}$ W,	503-0400	2
RESISTOR, 3.3K OHM, $\frac{1}{4}$ W,	503-0431	1
RESISTOR, 4.7K OHM, $\frac{1}{4}$ W,	503-0405	2
RESISTOR, 5.1K OHM, $\frac{1}{4}$ W,	503-0454	1
RESISTOR, 10K OHM, $\frac{1}{4}$ W,	503-0417	13
RESISTOR, 20K OHM, $\frac{1}{4}$ W,	503-0459	9
RES. ARRAY, 2.2K OHM, X8, 1/8W	504-1028	5
CAP. LYTIC, 330MF, 10V.	516-0913	1
CAP. LYTIC, 220MF, 16V.	516-0860	1
CAP. LYTIC, 100MF, 25V.	516-0804	1
CAP. LYTIC, 1000MF, 25V.	516-0827	1
CAP. MYLAR, 0.033MF, 50V.	517-0772	2
CAP. MYLAR, 0.047MF, 50V.	517-0758	1
CAP. MYLAR, 0.01MF, 50V.	517-0768	1
CAP. MYLAR, 0.1MF, 50V.	517-0765	3
CAP. TANTALUM, 0.47MF, 35V.	519-0853	4
CAP. CERAMIC, 30PF, 50V.	515-0733	1
CAP. CERAMIC, 150PF, 50V.	515-0726	1
CAP. CERAMIC, 220PF, 50V.	515-0734	1
CAP. CERAMIC, 470PF, 50V.	515-0716	1
CAP. CERAMIC, 0.1MF, 50V.	515-0701	34
DIODE, 10D1	510-0654	2
DIP SWITCH, 8 POSITION	506-1000	2

CIRCUS CHARLIE  
SOUND PC BOARD ASS'Y (010-4638)

<u>DESCRIPTION</u>	<u>PART NO.</u>	<u>QTY</u>
RESISTOR, VARIABLE 1K OHM	512-0672	1
IC SOCKET, 28 PIN	514-1572	2
FLAT CONNECTOR, 40 PIN	401-1376	1
FLAT CABLE, 40 PIN	402-1543	1
CONNECTOR POST W/BASE, 2P	401-1280	1
HEAT SINK, OS-SEIKI, KN-5D,	408-3008	1

**centuri<sup>™</sup>** inc.

Centuri, Inc. • 245 W. 74th Place • Hialeah, Florida 33014  
Telephone: 305-558-5200 • Telex: 803694 • ANSB Centuri