

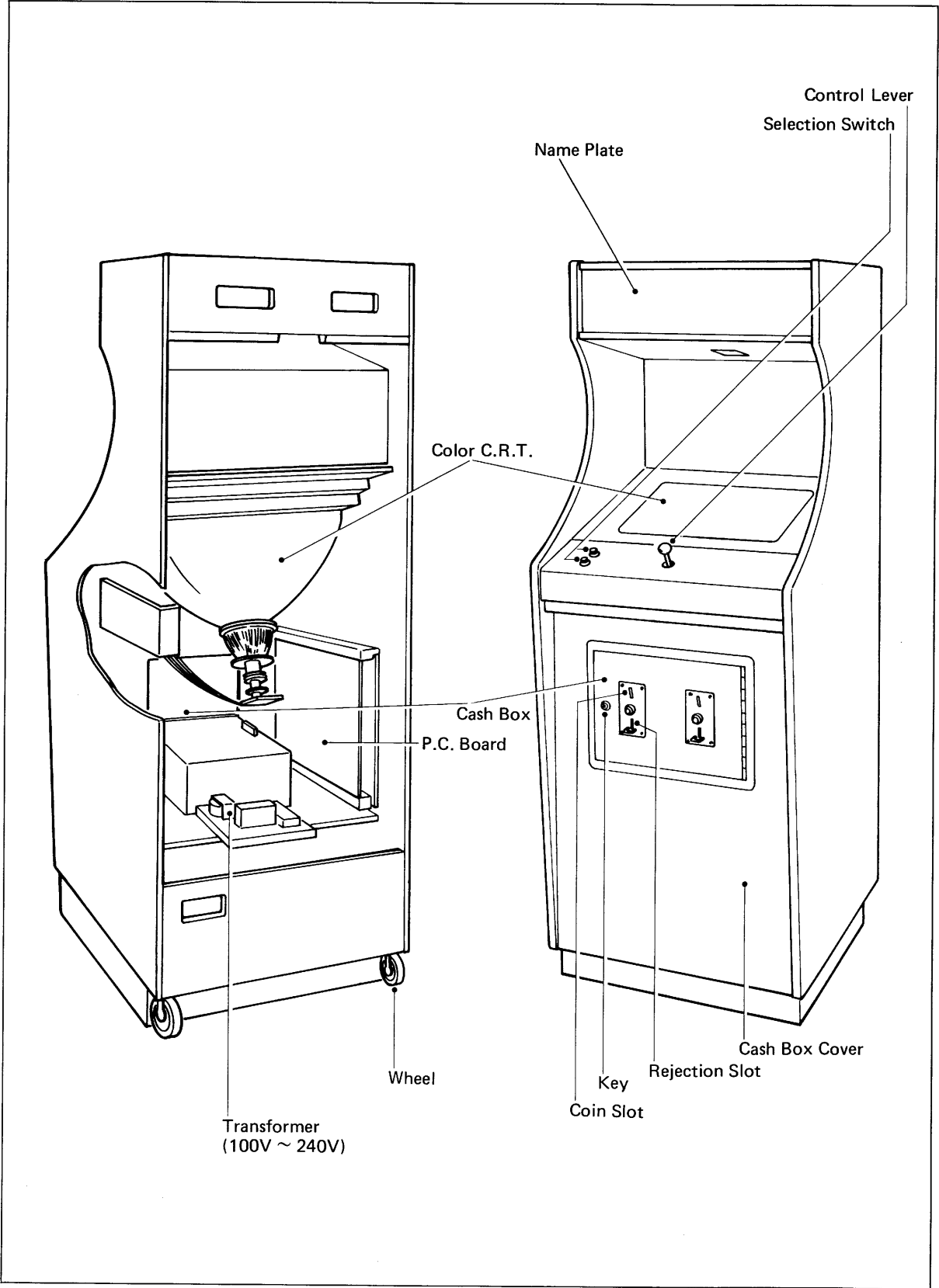
Frisky Tom™

SERVICE INSTRUCTION



Nichibutsu

1 EACH PARTS NAME (UPRIGHT MODEL)



2 SPECIFICATIONS

POWER SOURCE	: 100 ~ 240V (Variable)
WATT CONSUMPTION	: 110W
COINAGE	: 1 coin per play, 2 coins per play, 3 coins per paly, 4 coins per play * OPTION (Selector 2)
	: 1 coin per play, 1 coin per 2 plays, 1 coin per 3 plays
PLAYER	: 1 or 2 players
GAME LIMIT	: 1 Tank ~ 9 Tanks
KEYS	: Coin Door key 1 set. Rear Door key 1 set. Cash box key 1 set
FUSE RATINGS	: 1 at 5A, 2 at 3A

		Width	Depth	Height	C.R.T
UPRIGHT MODEL	BODY	600 m/m	690 m/m	1,625 m/m	20 inch
	CASH BOX	395 m/m	300 m/m	285 m/m	
TABLE MODEL	BODY with LEGS	890 m/m	560 m/m	685 m/m ~ 825 m/m (5 position adjustable)	20 inch
	CASH BOX	150 m/m	285 m/m	125 m/m	

- These instructions and specifications may be changed without prior notification.
- If this machine is reconstructed without our permission, we can not take responsibility for the machine.

3 NOTES

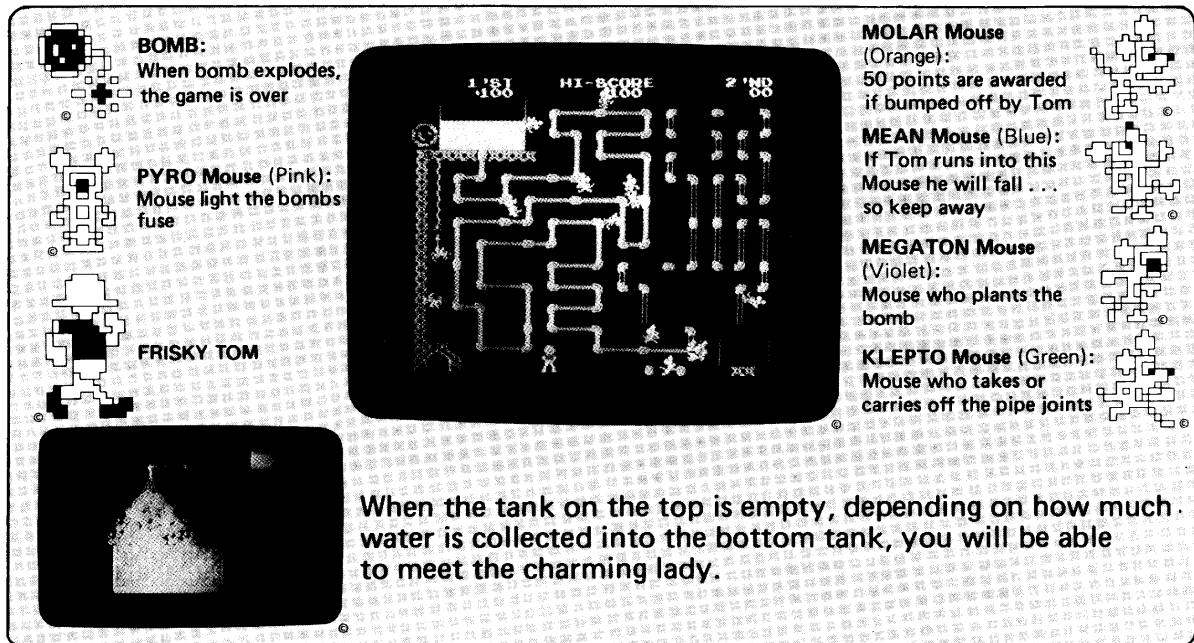
- The FRISKY TOM has a T.V. monitor and care must be taken in moving this fragile machine.
- To prevent the cabinet over-heating do not place the FRISKY TOM directly in the sun or near heating.
- For a short time after connecting to power, the picture may be temporarily distorted.
- Do not check the solid state module with a TESTER even if you find out there is something wrong with it. The IC may be destroyed by the voltage of a TESTER.
- Disconnect the power supply before inserting or removing the P.C. board.

FRISKY TOM

4

HOW TO PLAY

- This game is played on the basis of filling the bottom right tank with the water from the top left tank.
- Depending upon how much water is flowing into the bottom tank, the possibility of seeing the charming lady increases.



BOMB:
When bomb explodes,
the game is over

PYRO Mouse (Pink):
Mouse light the bombs
fuse

FRISKY TOM

MOLAR Mouse (Orange):
50 points are awarded
if bumped off by Tom

MEAN Mouse (Blue):
If Tom runs into this
Mouse he will fall ...
so keep away

MEGATON Mouse (Violet):
Mouse who plants the
bomb

KLEPTO Mouse (Green):
Mouse who takes or
carries off the pipe joints

When the tank on the top is empty, depending on how much water is collected into the bottom tank, you will be able to meet the charming lady.

- Control Tom with the joystick and pick up the fallen pipe joints and repair the plumbing.
 - When Tom bumps off the 'Molar Mouse' you are awarded 50 points.
 - When Tom runs into the 'Mean Mouse' he will fall, so keep away.
 - Put out the bombs fuse for bonus points. When the bomb explodes, the game is over.
 - When you reach the certain points you will be awarded an extra tank.
 - Depending on the amount of water collected into the bottom tank, your points are added to your score.
- When no water is in the tank, the game is over.

5 OPERATER ADJUSTMENTS

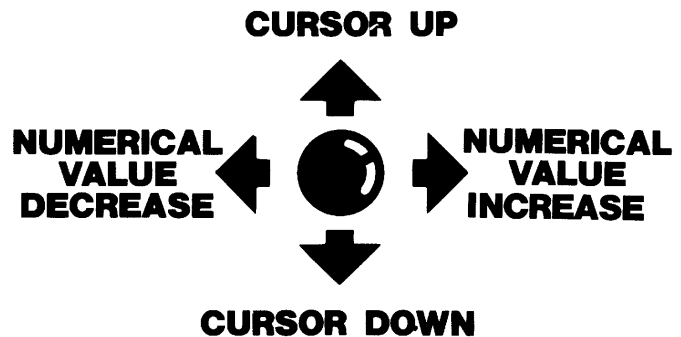
You will see the following Adjustment Table on the screen when the EDIT Switch is turned on.

TYPE	TABLE(UP LIGHT)
COIN SEL.1	1 COIN 1 PLAY
COIN SEL.2	1 COIN 1 PLAY
TANK	1 ← CURSOR
BONUS	10,000PTS
COIN SEL.1	00
COIN SEL.2	00

※These play a part of Coin Meter. Disconnect the Battery Cord to reset.

■ Move Joystick Up and Down to choose item.

■ Move Joystick Right or Left to choose Numerical Value.



■ To choose Table or Up-right, set Cursor Table or Up-right and move the Joystick Right or Left.

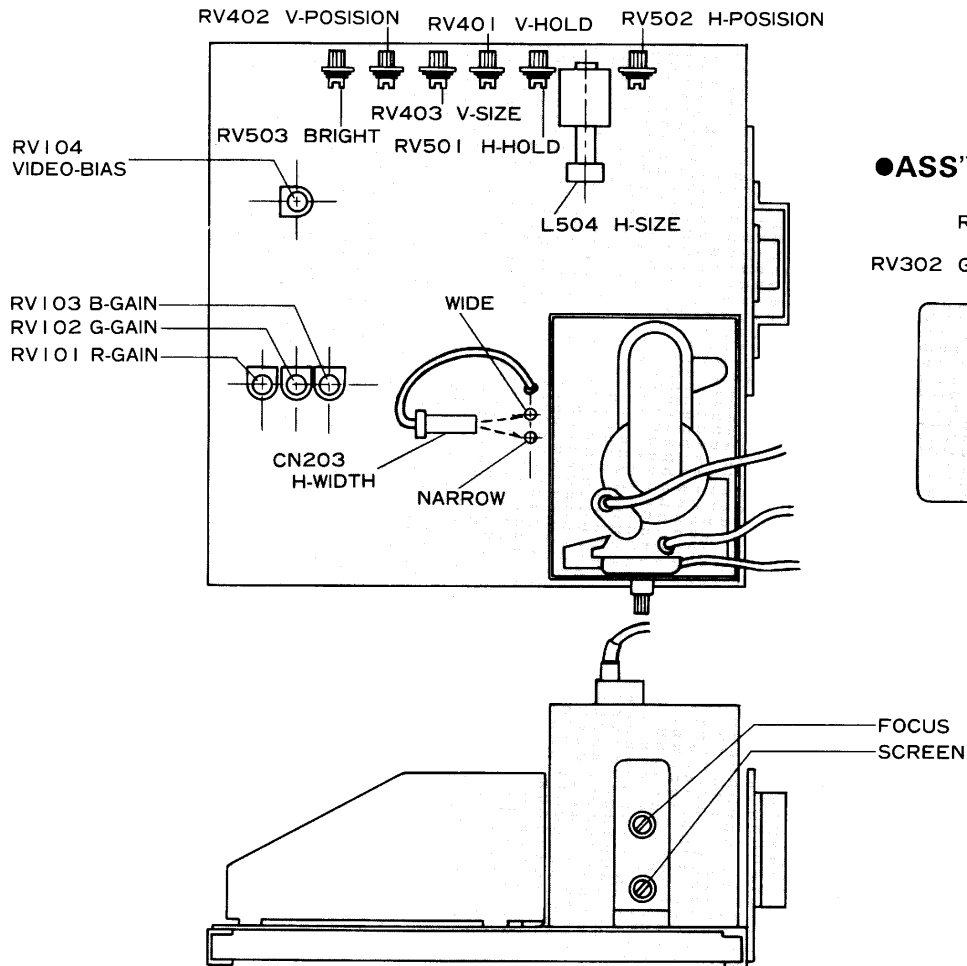
FRISKY TOM

6

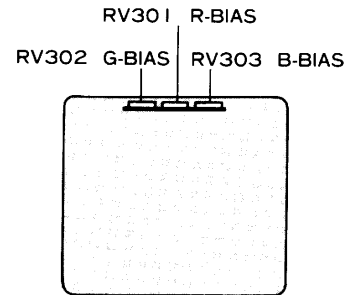
MONITOR ADJUSTMENTS

● ASS'Y MAIN CHASSIS - B

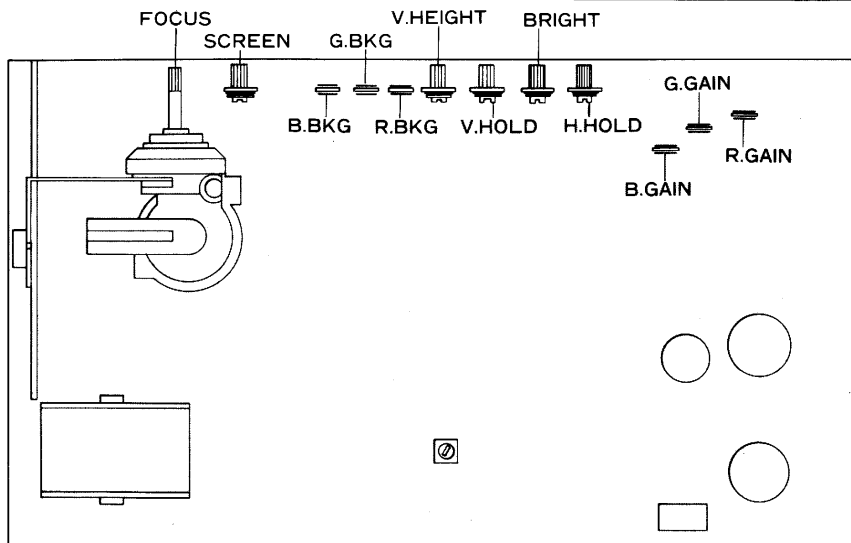
MITSUBISHI COLOR MONITOR

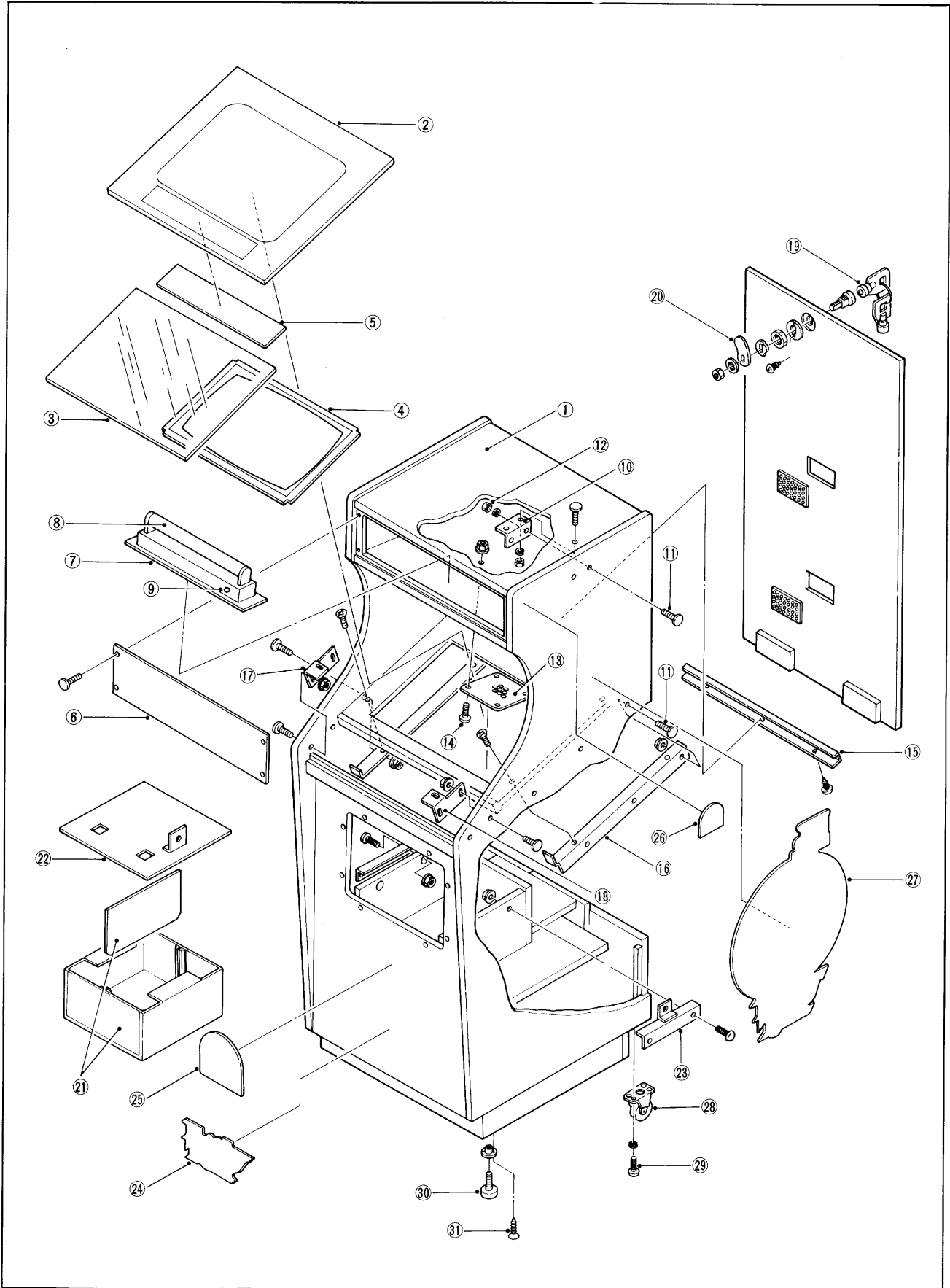


● ASS'Y C.R.T BOARD



TOEI COLOR MONITOR



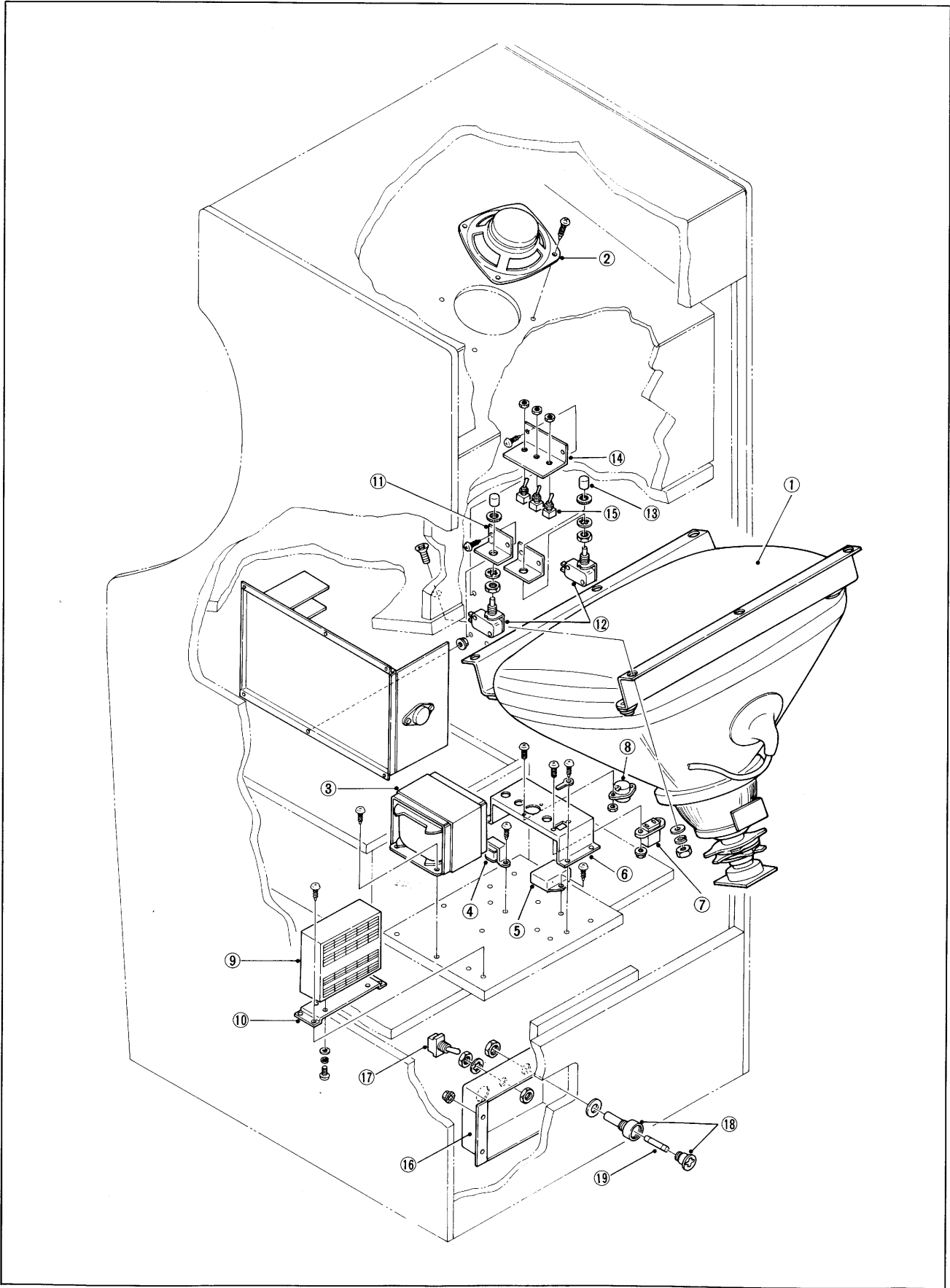


FRISKY TOM

7

EXTERIOR ASSEMBLY

NO.	PARTS NO.	DESCRIPTION
1	MSA8001	Cabinet Assy
2	FTA1001	Front Panel
3	CCA7010	Smoked Plate
4	CCA7009	TV. Mask
5	FTA1002	Playing Information Card
6	FTA1003	Illumination Panel
7	CCA7013	Fluorescent Light Utensil
8	CCA7014	Fluorescent Light
9	CCA7015	Glow Bulb
10	MSA8016	Bracket B
11	MSA8011	Bolt
12	MSA8012	Nut
13	TA50023	Speaker Cover
14	PC50022	Ornament Speaker Bolt
15	FTA1004	Bracket
16	CCA7055	Bracket C.R.T. Support Bracket
17	FTA1005	Bracket L
18	FTA1006	Bracket R
19	CC70008	Key Set
20	MSA8015	Key Rock Plate
21	FTA1007	Cash Box
22	FTA1008	Cash Box Cover
23	FTA1009	Cash Box Guide
24	FTA1010	Name Sticker
25	FTA1011	Sticker
26	FTA1012	Sticker
27	FTA1013	Character Sticker
28	CCA7017	Caster
29	CCA7018	Bolt
30	CCA7020	Adjuster
31	CCA7019	Screw Bolt

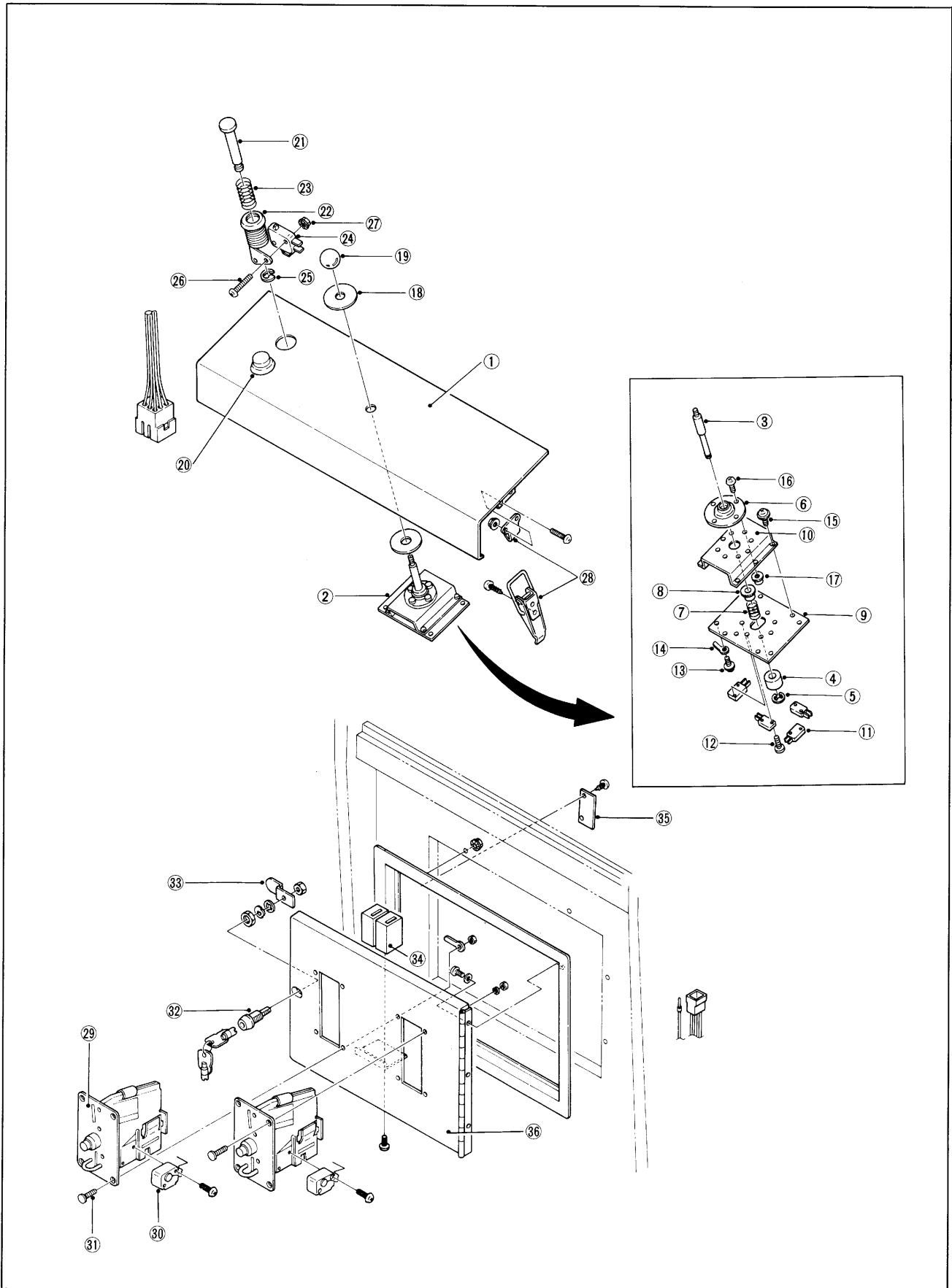


FRISKY TOM

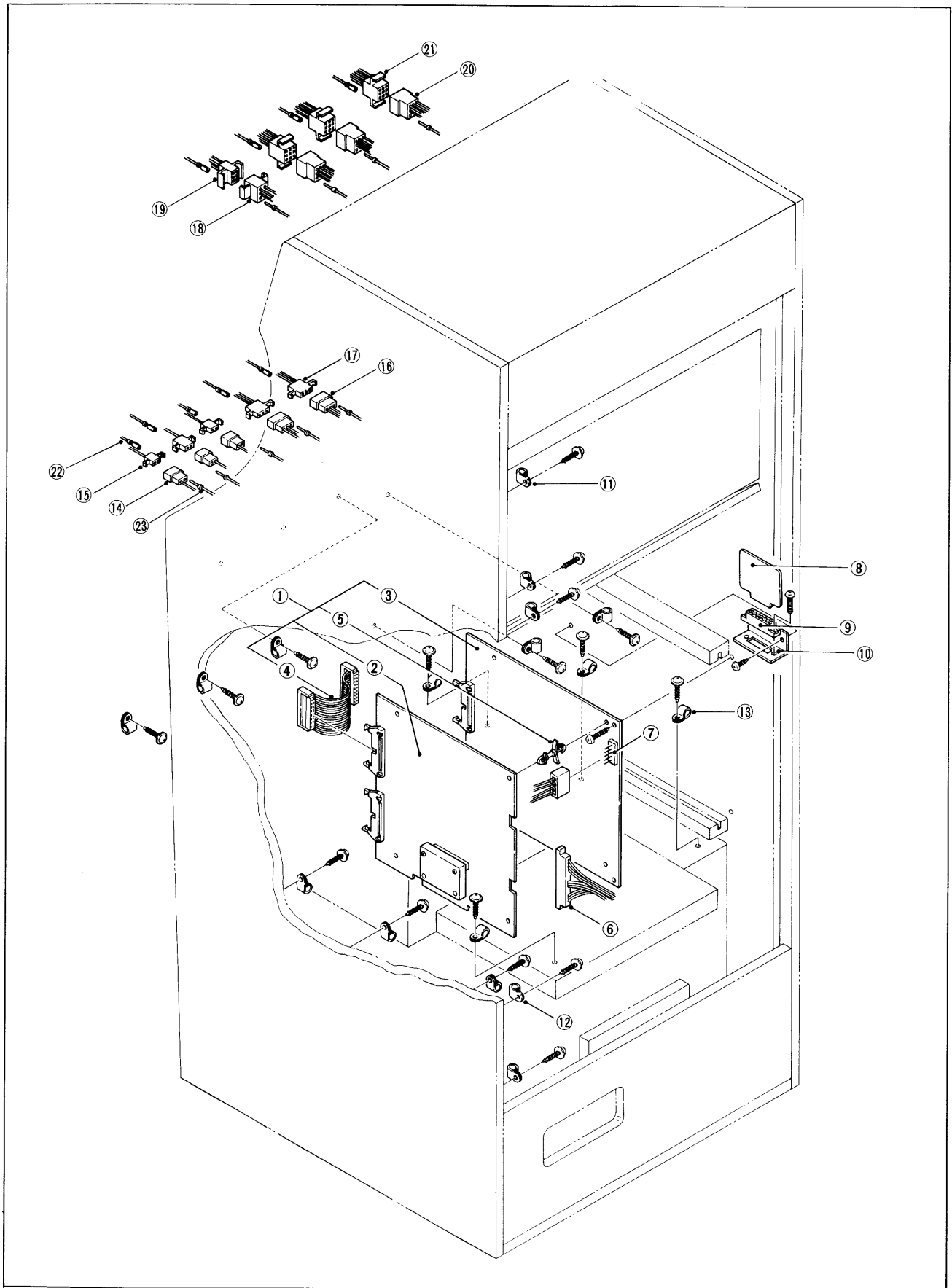
8

VIDEO ASSEMBLY

NO.	PARTS NO.	DESCRIPTION
1	CCA7044	C.R.T. Monitor Assy
2	CCA7049	Speaker
3	AC20026	Transformer
4	FTA1014	Transformer (6.3V)
5	TA50036	Noise Filter
6	FTA1015	Bracket
7	BP10015	Service Socket
8	FTA1016	Voltage Change Plug
9	MS80018	Power Supply
10	MS80019	Bracket
11	CC70019	Switch Bracket
12	TA50026	Switch
13	BP50028A	SW, Button
14	FTA1017	Bracket
15	FTA1018	Switch
16	CCA7053	Main Switch Box
17	BP10041	Power Switch
18	PC50051	Fuse Holder (FH-032)
19	PC50052	Fuse (5A)



NO.	PARTS NO.	DESCRIPTION
1	FTA1019	Control Plate
2	FTA1020	Control Lever Assy
3	MSA8026	Control Lever
4	MS80027	Control Lever Ring
5	MS80028	E Ring
6	MS80029	Control Base
7	MS80030	Spring
8	MS80041	Ring
9	MS80032	Control Mounting Bracket
10	MS80033	Control Base Bracket
11	MB20025	Micro Switch
12	CC70046	Bolt (3M x 20M)
13	MS80034	Bolt (4M x 10M)
14	MS80035	Earth Rag (4M)
15	MS80036	Bolt (3M x 8M)
16	MS80037	Bolt (4M)
17	MS80038	Nut (4M)
18	CC70050	Cover
19	CCA7026	Control Knob
20	CC70025	SW, Assy
21	CC70051	Selection or Firing Button
22	CC70052	Selection or Firing Button Base
23	CC70053	Spring
24	CC70054	Micro Switch
25	CC70055	E Ring
26	CC70046	Bolt (3M x 20M)
27	CC70056	Nut (3M)
28	FTA1021	Hinge
29	AL20019	Coin Selector
30	TA50010	Micro SW
31	CC70060	Bolt
32	CC70008	Key Set
33	FTA1022	Key Lock Plate
34	TA50035	Counter
35	FTA1023	Key Plate
36	FTA1027	Cash Box Cover



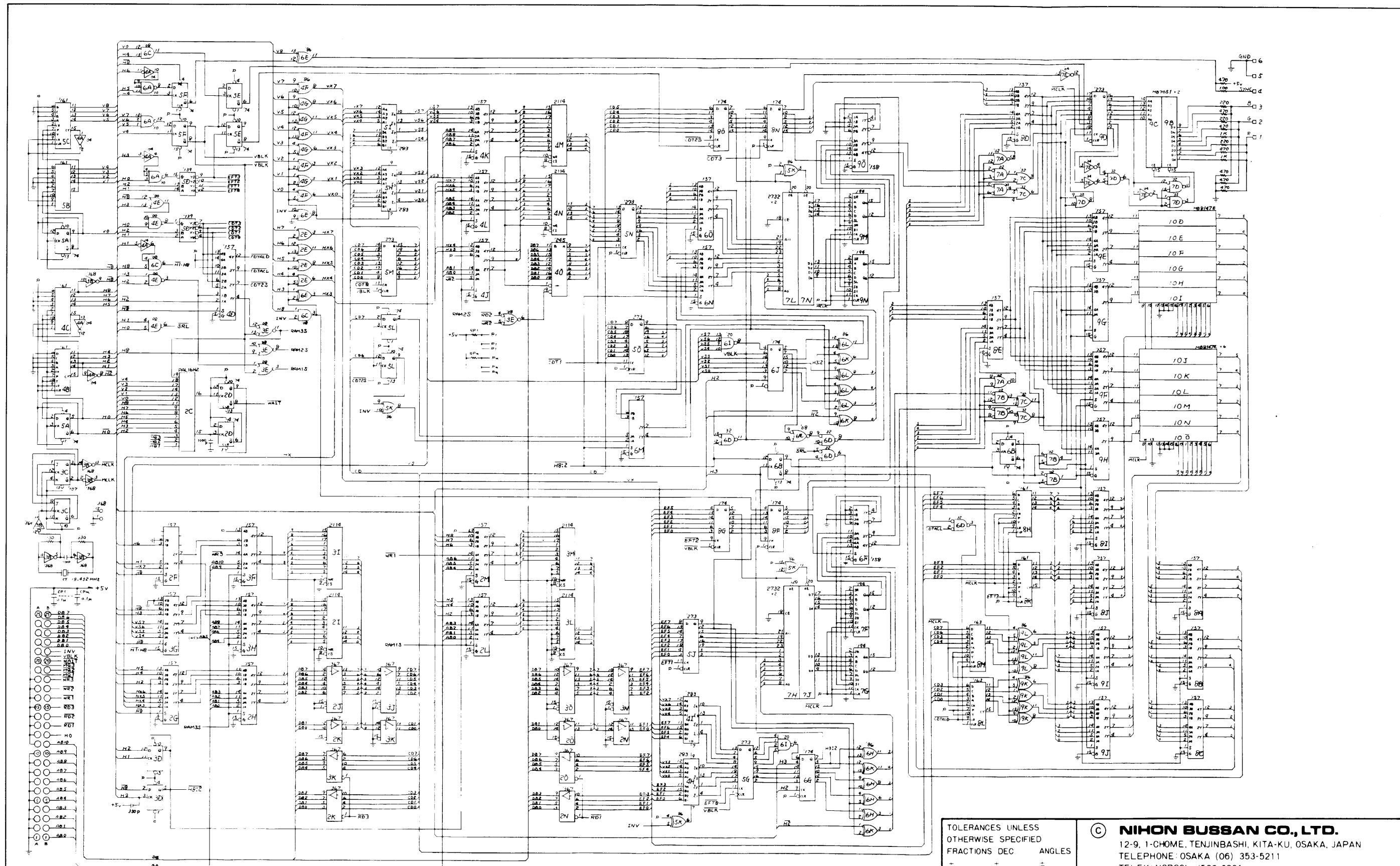
FRISKY TOM

10

PRINTED BOARD ASSEMBLY

NO.	PARTS NO.	DESCRIPTION
1	FTA1024	FT P.C. Board Assy
2	FTA1025	FT-1 P.C. Board
3	FTA1026	FT-2 P.C. Board
4	MB20032	Flat Cable (50P)
5	BP10047	Nylon Push
6	PC50035	KEL Connector (44P)
7	CC70037	Video Signal Connector
8	CC70039	CC-5 P.C. Board
9	BP10042	Connector (10P)
10	BP10043	Connector Bracket
11	PC50029	Nylon Clip (KD-2N)
12	PC50030	Nylon Clip (KD-4N)
13	PC50031	Nylon Clip (KD-7N)
14	TA50037	Socket Housing (2P)
15	TA50038	Socket Housing (2R)
16	PC50045	Socket Housing (3P)
17	PC50046	Socket Housing (3R)
18	PC50041	Socket Housing (6P)
19	PC50042	Socket Housing (6R)
20	MB20045	Socket Housing (9P)
21	MB20046	Socket Housing (9R)
22	TA50039	Pin
23	TA50040	Pin

SCHEMATICS
WIRING FIGURES

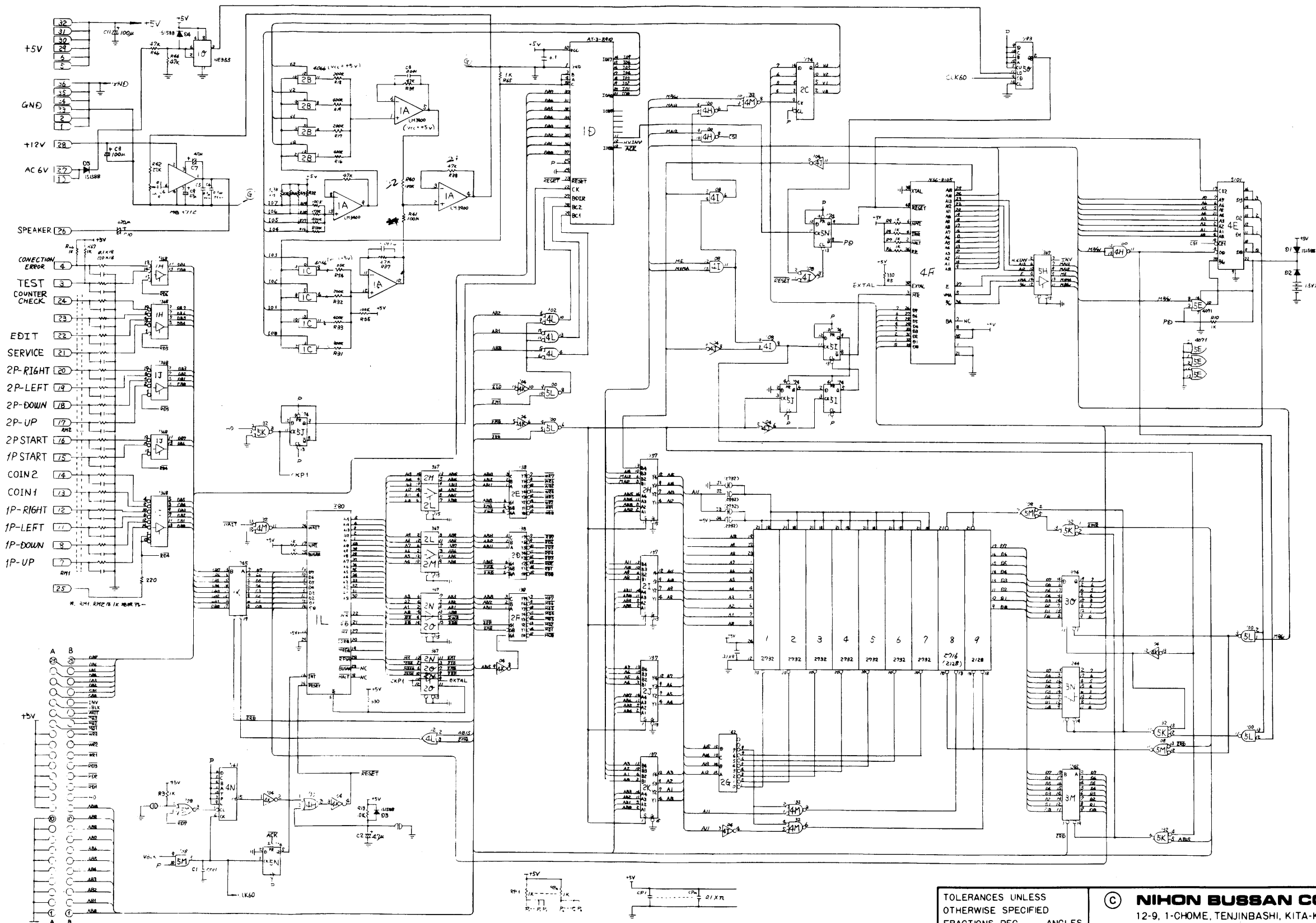


TOLERANCES UNLESS OTHERWISE SPECIFIED
 FRACTIONS DEC ANGLES
 ± ± ±

© **NIHON BUSSAN CO., LTD.**
 12-9, 1-CHOME, TENJINBASHI, KITA-KU, OSAKA, JAPAN
 TELEPHONE OSAKA (06) 353-5211
 TELEX: NCBCOL J523-6891

APPROVALS	DATE
DRAWN S.SAKURAI	24/3/1980
CHECKED H.KITABATA	10/6/1980

FRISKY TOM(FT-1B) SCHEMATIC		SCALE	SIZE	DRAWING NO
				B2002-A
				SHEET



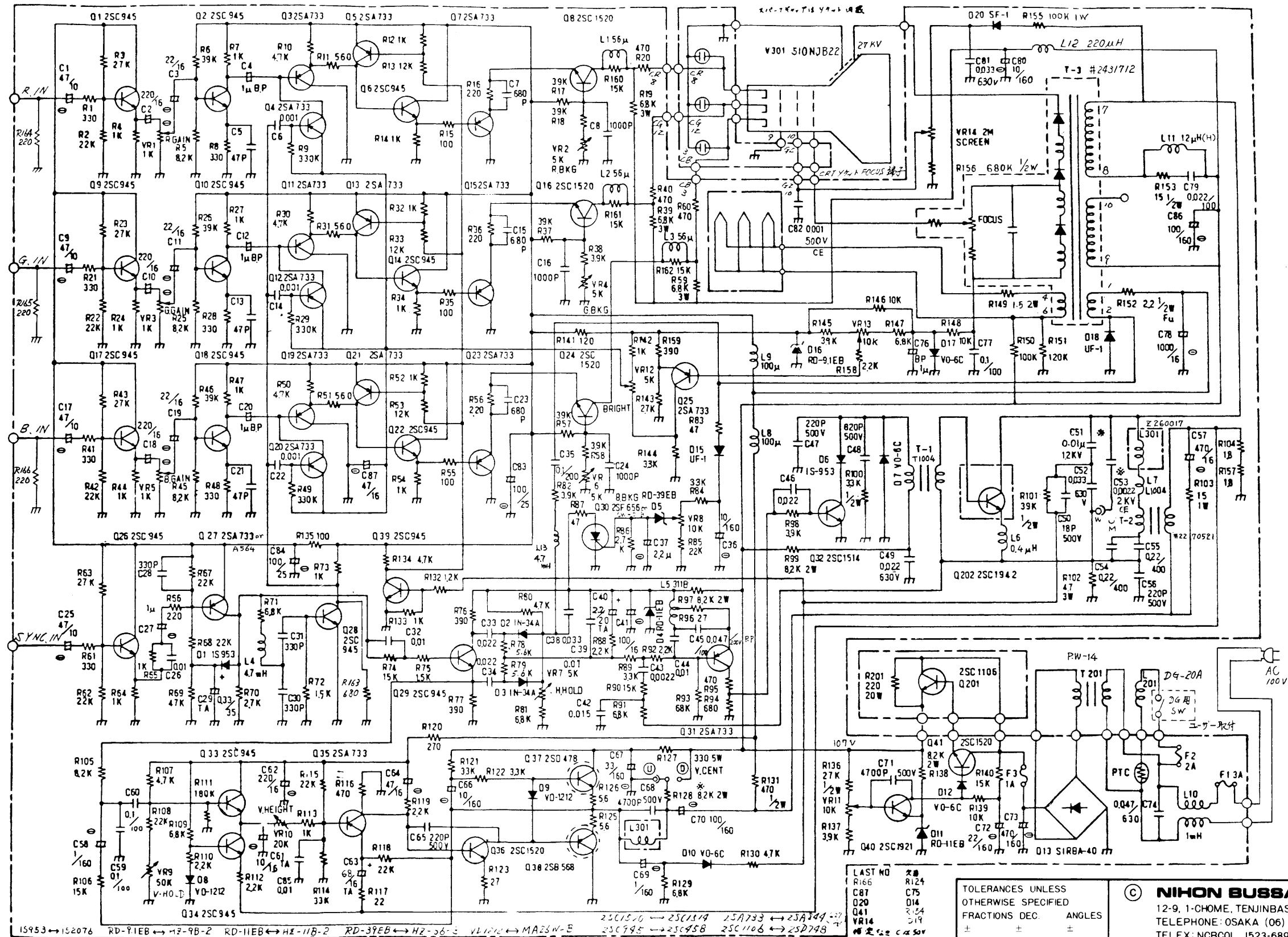
- CONNECTION ERROR 4
- TEST COUNTER CHECK 24
- EDIT 23
- SERVICE 21
- 2P-RIGHT 20
- 2P-LEFT 19
- 2P-DOWN 18
- 2P-UP 17
- 2P-START 16
- 1P-START 15
- COIN 2 14
- COIN 1 13
- 1P-RIGHT 12
- 1P-LEFT 11
- 1P-DOWN 10
- 1P-UP 9

TOLERANCES UNLESS OTHERWISE SPECIFIED
 FRACTIONS DEC. ANGLES
 ± ± ±

© **NIHON BUSSAN CO., LTD.**
 12-9, 1-CHOME, TENJINBASHI, KITA-KU, OSAKA, JAPAN
 TELEPHONE: OSAKA (06) 353-5211
 TELEX: NCB00L J523-6891

APPROVALS	DATE
DRAWN S.SAKURAI	24/3/1980
CHECKED H.KITABATA	10/6/1980

<h1>FRISKY TOM FT-2B</h1>		SCALE	SIZE	DRAWING NO.
			A1	B2001-A
		SHEET		

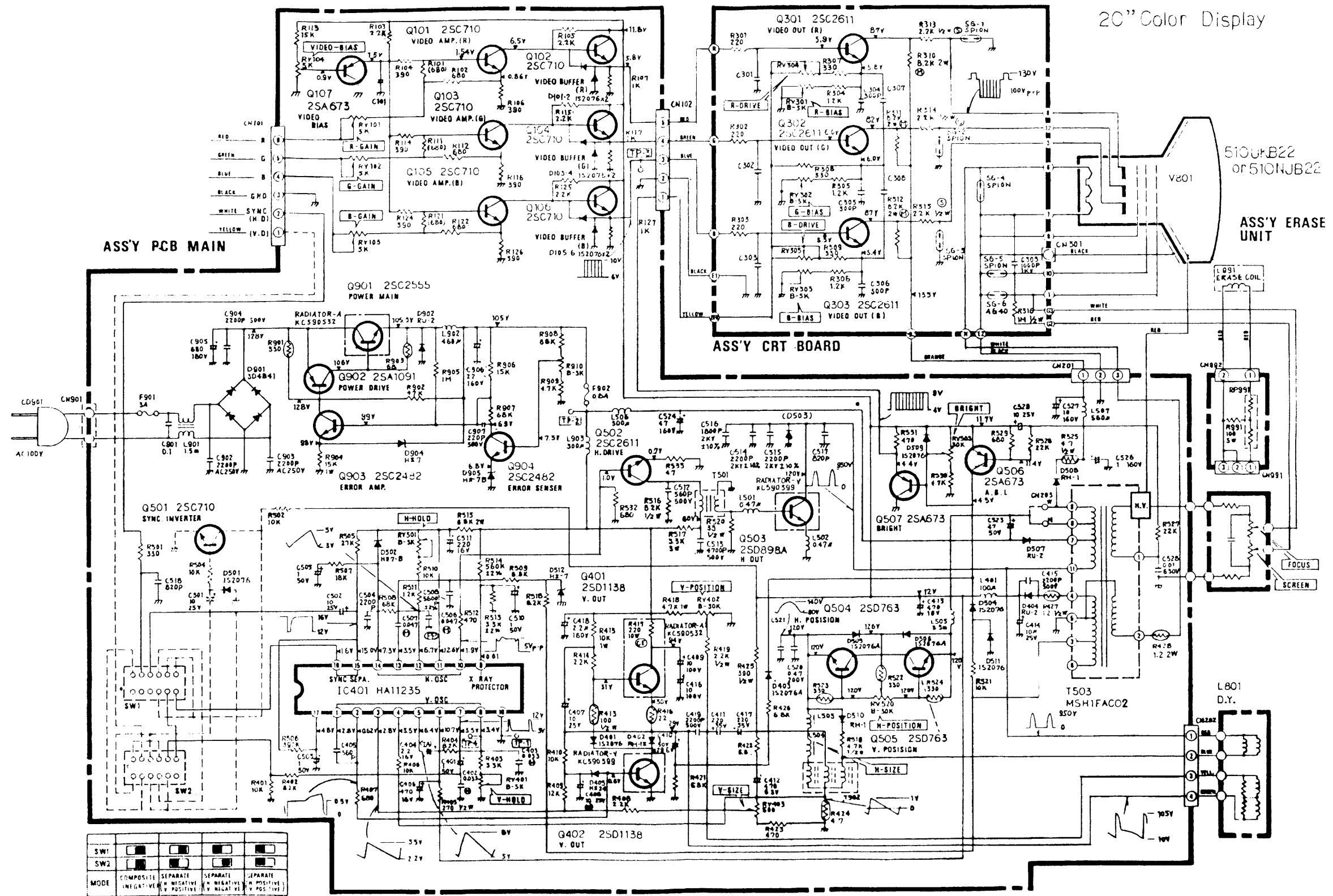


LAST NO 文
 R166 R124
 C87 C75
 Q20 Q14
 Q41 R34
 VR14 219
 指定値はC450V
 R1/2W

TOLERANCES UNLESS OTHERWISE SPECIFIED
 FRACTIONS DEC. ANGLES
 ± ± ±

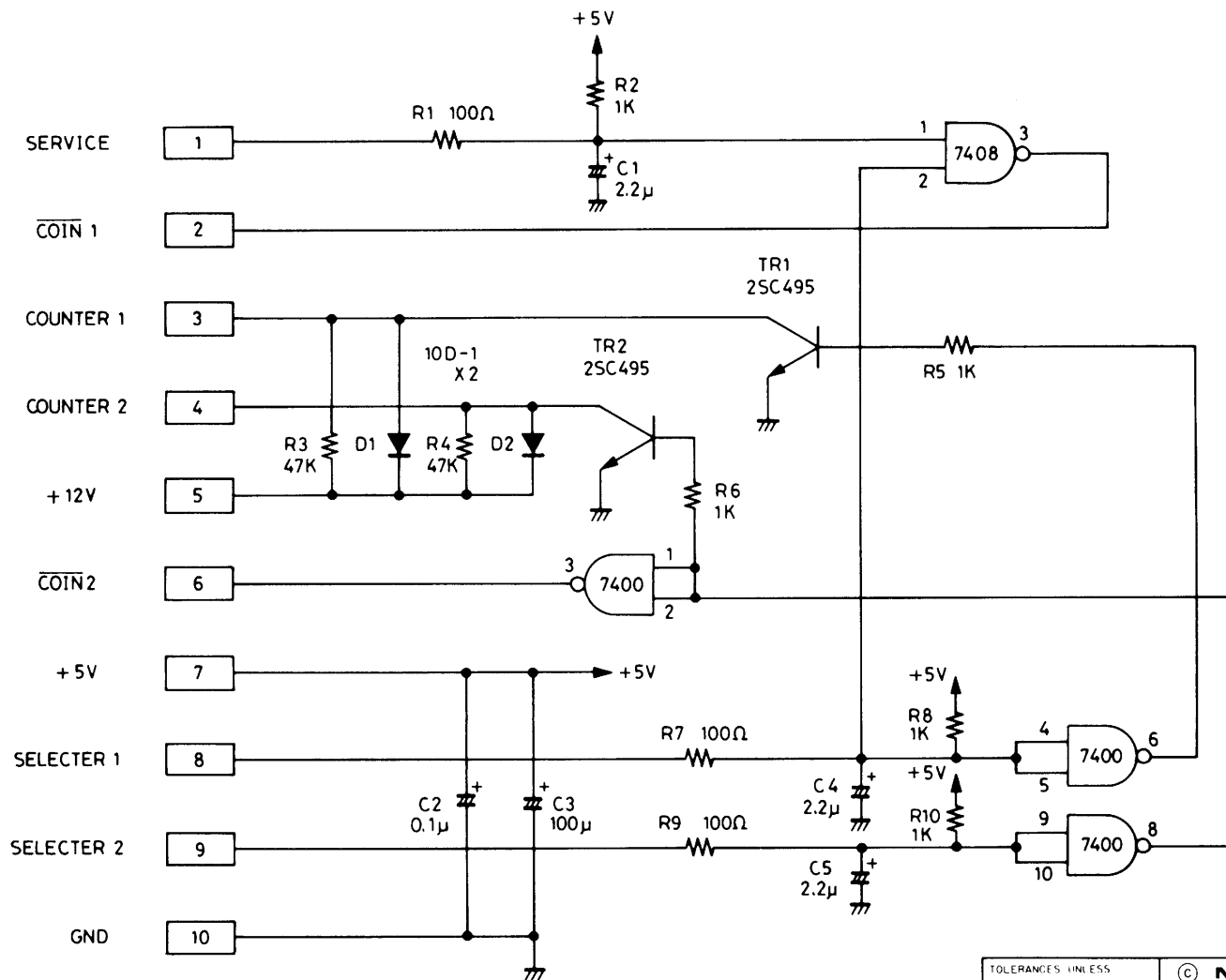
© **NIHON BUSSAN CO., LTD.**
 12-9, 1-CHOME, TENJINBASHI, KITA-KU, OSAKA, JAPAN
 TELEPHONE: OSAKA (06) 353-5211
 TELEX: NCBOL J523-6891

APPROVALS	DATE	TOEI COLOR MONITOR CM-A20 HC		
DRAWN MIKAMI	17/1/80			
CHECKED H.KITABATA	19/4/80	SCALE	SIZE	DRAWING NO.
				C-487
				SHEET



SW1	<input type="checkbox"/>	<input type="checkbox"/>	<input type="checkbox"/>	<input type="checkbox"/>
SW2	<input type="checkbox"/>	<input type="checkbox"/>	<input type="checkbox"/>	<input type="checkbox"/>
MODE	COMPOSITE	SEPARATE	SEPARATE	SEPARATE
	NEGATIVE	POSITIVE	NEGATIVE	POSITIVE

TOLERANCES UNLESS OTHERWISE SPECIFIED		© NIHON BUSSAN CO., LTD.	
FRACTIONS DEC. ANGLES		12-9, 1-CHOME, TENJINBASHI, KITA-KU, OSAKA, JAPAN	
± ± ±		TELEPHONE: OSAKA (06) 353-5211	
		TELEX: NCB00L J523-6891	
APPROVALS	DATE	MITSUBISHI COLOR MONITOR	
DRAWN MIKAMI	13 3 80	KZ-20EN-A	
CHECKED H.KITABATA	19 4 '80	SCALE	SIZE DRAWING NO.
			C-476
			SHEET



10P
KEL

TOLERANCES UNLESS
OTHERWISE SPECIFIED
FRACTIONS DEC ANGLES

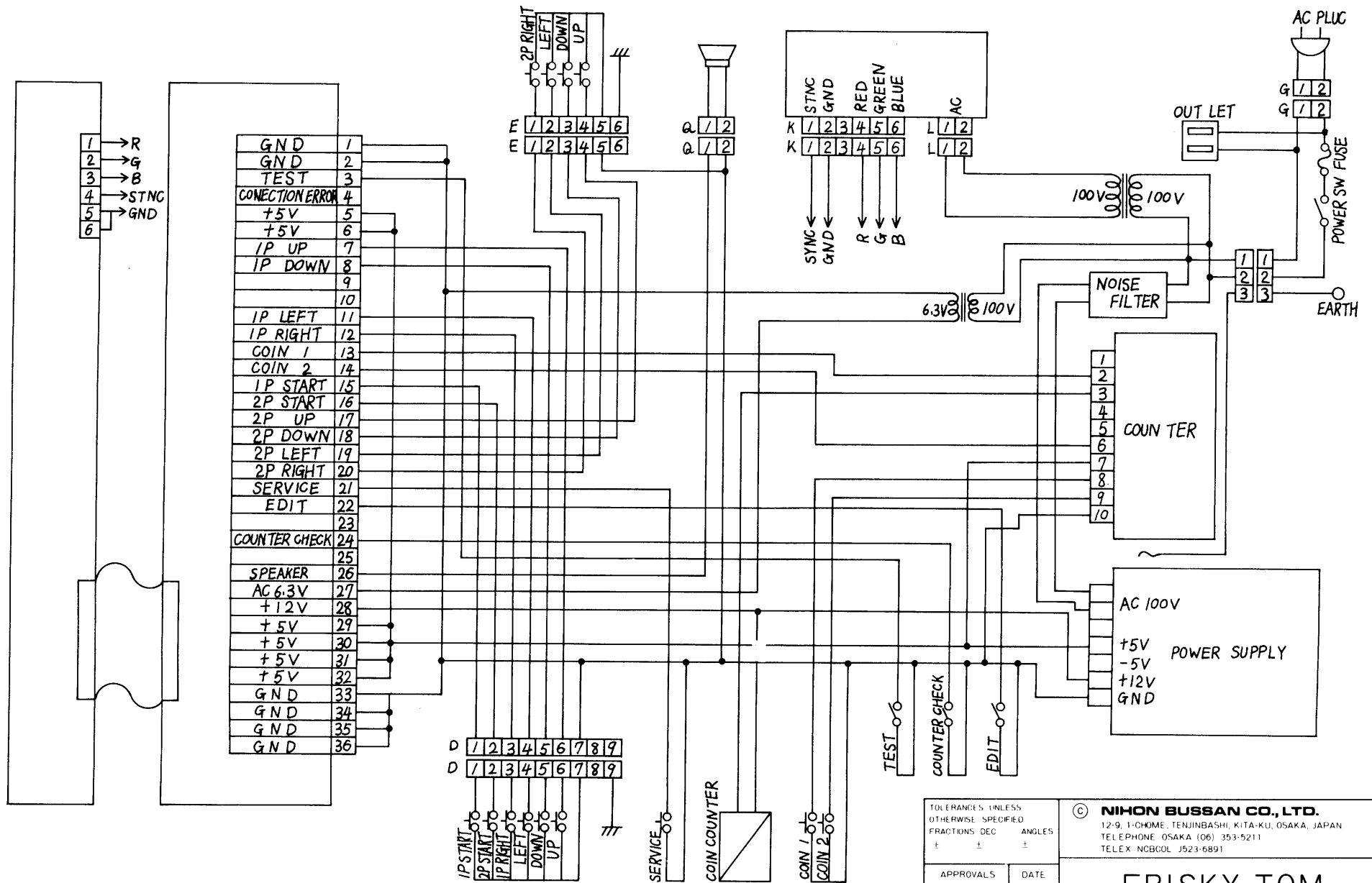
© **NIHON BUSSAN CO., LTD.**
12-9 1-CHOME, TENJINBASHI, KITA-KU, OSAKA, JAPAN
TELEPHONE, OSAKA (06) 353-5211
TELEX NBCOL J523-6891

APPROVALS	DATE
DRAWN H. KITABATA	26.11.80
CHECKED H. KITABATA	26.11.80

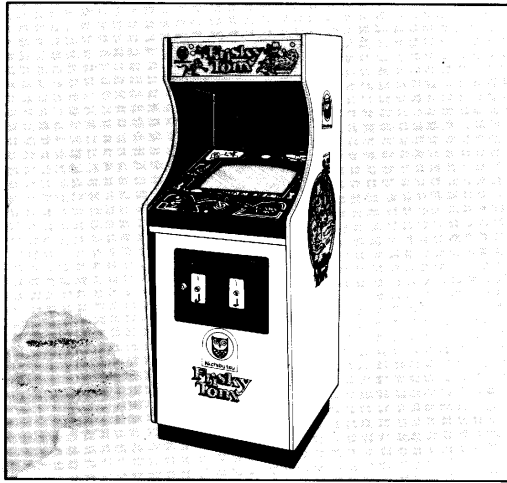
FRISKY TOM
COIN COUNTER MS-5

SCALE	SIZE	DRAWING NO

SHEET



TOLERANCES UNLESS OTHERWISE SPECIFIED		FRACTIONS DEC ANGLES	
±	±	±	±
APPROVALS	DATE	<p>© Nihon Bussan Co., Ltd. 12-9, 1-CHOME, TENJINBASHI, KITA-KU, OSAKA, JAPAN TELEPHONE OSAKA (06) 353-5211 TELEX NCBCOL J523-6891</p> <h1>FRISKY TOM</h1>	
DRAWN			
CHECKED			
SCALE	SIZE	DRAWING NO	
		SHEET	



Nichibutsu
Nihon Bussan Co., Ltd.

HEAD OFFICE:

12-9, 1-chome, Tenjinbashi, Kita-ku, Osaka, Japan TEL. (06) 353-5211 TELEX 523-6891 NCBCOL J

BRANCH OFFICE:

TOKYO: TEL. (03) 664-5271 HIROSHIMA: TEL. (0822) 64-4531 NARA: TEL. (0742) 33-6311

SAPPORO: TEL. (011) 824-2571 SENDAI: TEL. (0222) 65-5571 KYOTO: TEL. (0774) 44-6262

NICHIBUTSU GROUP:

Nichibutsu Kyushu Co., Ltd. TEL. (092) 472-7221 **Nichibutsu Leisure System Co., Ltd.** TEL. (03) 664-6774

Nichibutsu U.S.A. Corp. 15407 So. Broadway Gardena, California, 90248, U.S.A.

TEL. (213) 320-5855 TELEX 9103496664 NCBTUSA TRNC

Nichibutsu U.K. Ltd.

999 Wolverhampton Road, Oldbury, West Midlands, B69 4RJ U.K.

TEL. (021) 544-4299 TELEX 335949 NICHUK G

Nichibutsu Europe GmbH

Paul-Ehrlich-Strasse 17 D-6074 Rödermark W.GERMANT

TEL. 06074-900 38/39 TELEX 4197717 NIED D