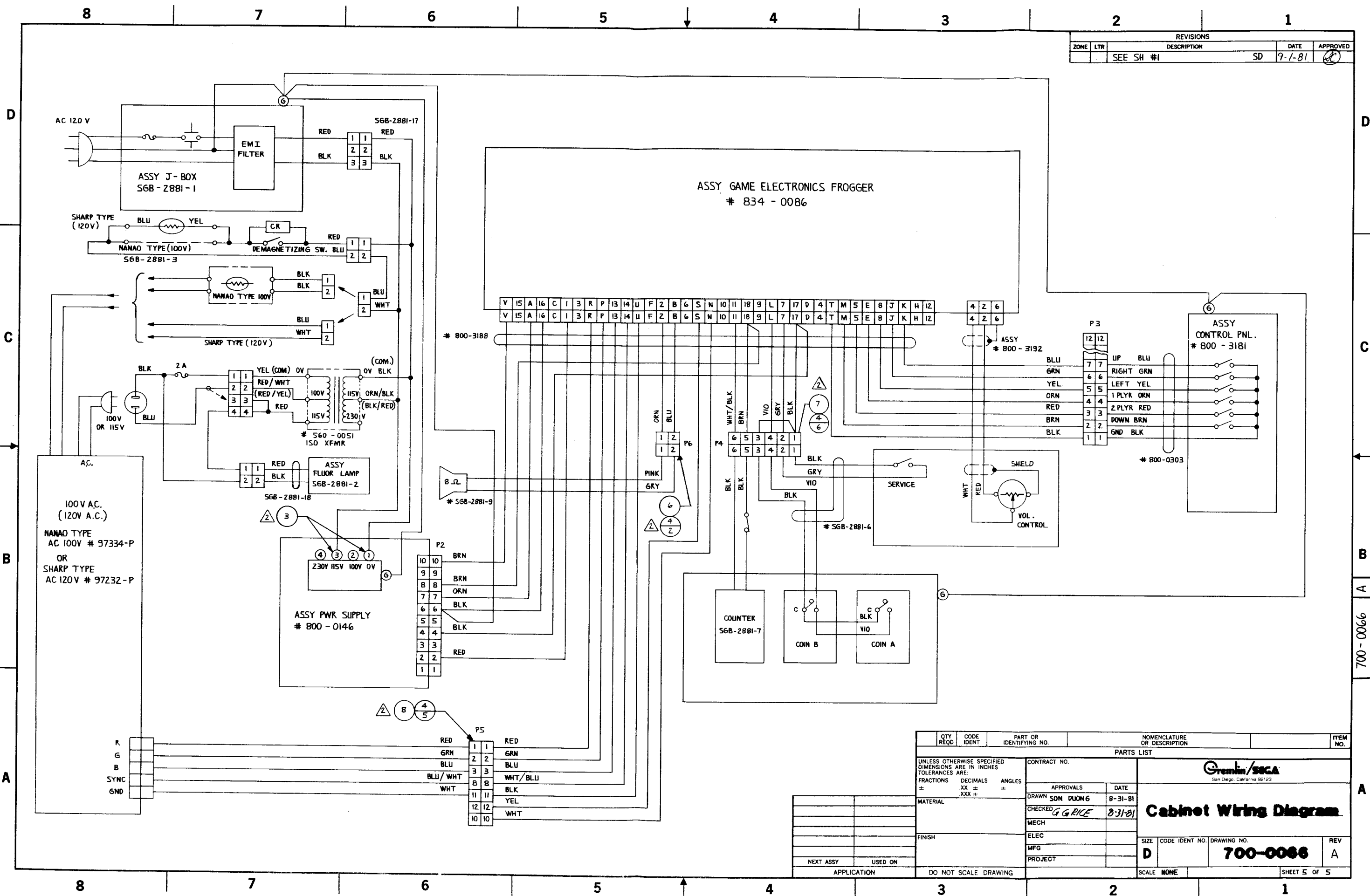


REVISIONS				
ZONE	LTR	DESCRIPTION	DATE	APPROVED
		SEE SH #1	SD 9-1-81	(Signature)



QTY REQD	CODE IDENT	PART OR IDENTIFYING NO.	NOMENCLATURE OR DESCRIPTION	ITEM NO.
PARTS LIST				
UNLESS OTHERWISE SPECIFIED DIMENSIONS ARE IN INCHES TOLERANCES ARE:		CONTRACT NO.		
FRACTIONS	DECIMALS	ANGLES	APPROVALS	
±	.XX ±	±	DATE	
	.XXX ±		DRAWN SON DUONG 8-31-81	
MATERIAL		CHECKED G.G. RICE 8-31-81		
FINISH		MECH		
NEXT ASSY		ELEC		
USED ON		MFG		
APPLICATION		PROJECT		
DO NOT SCALE DRAWING		SCALE NONE		

Gremlin/SACA
San Diego, California 92123

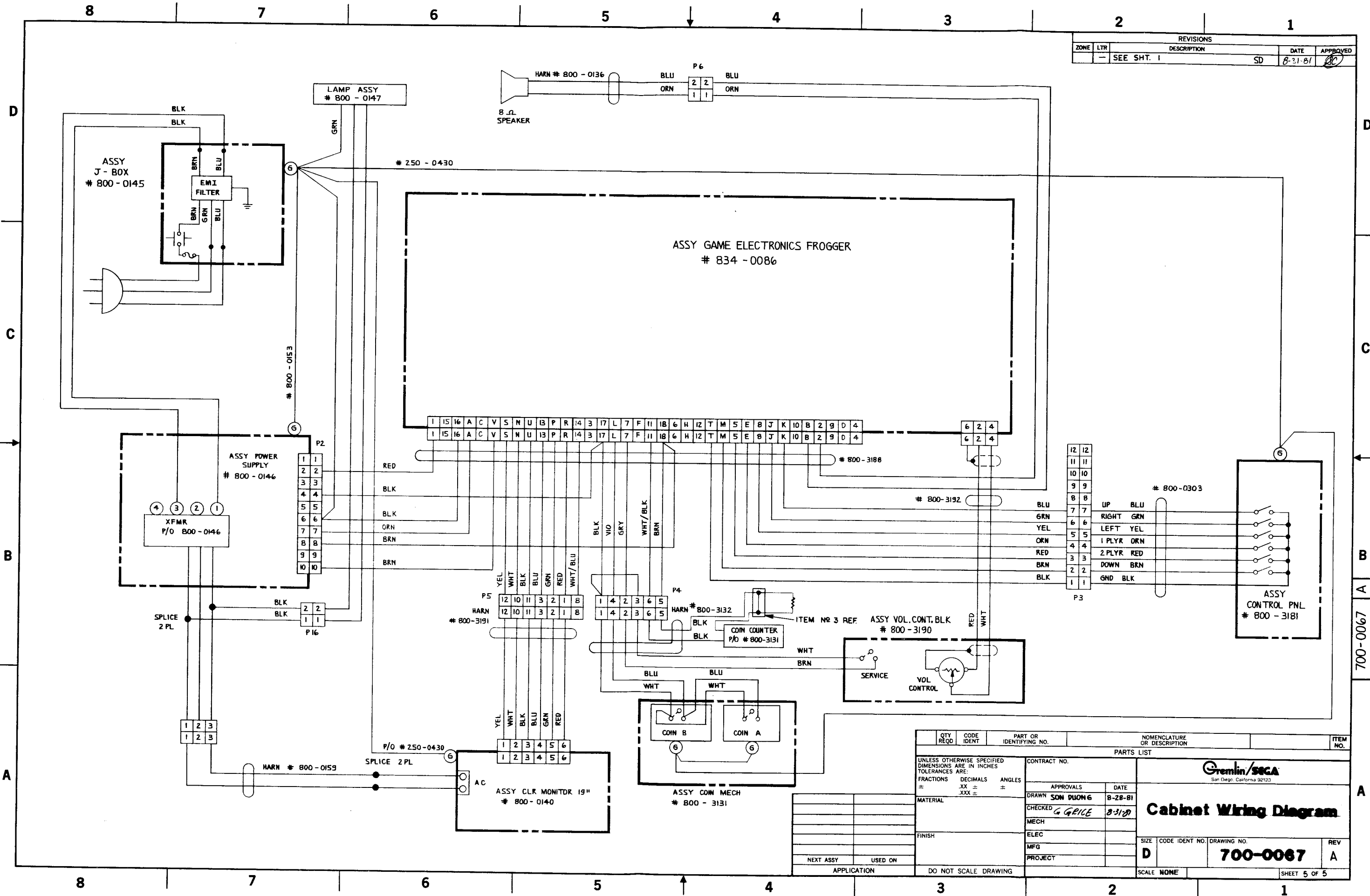
Cabinet Wiring Diagram

SIZE CODE IDENT NO. DRAWING NO. REV
D 700-0066 A

SHEET 5 OF 5

700-0066

REVISIONS				
ZONE	LTR	DESCRIPTION	DATE	APPROVED
		SEE SHT. 1	SD 8-31-81	<i>[Signature]</i>

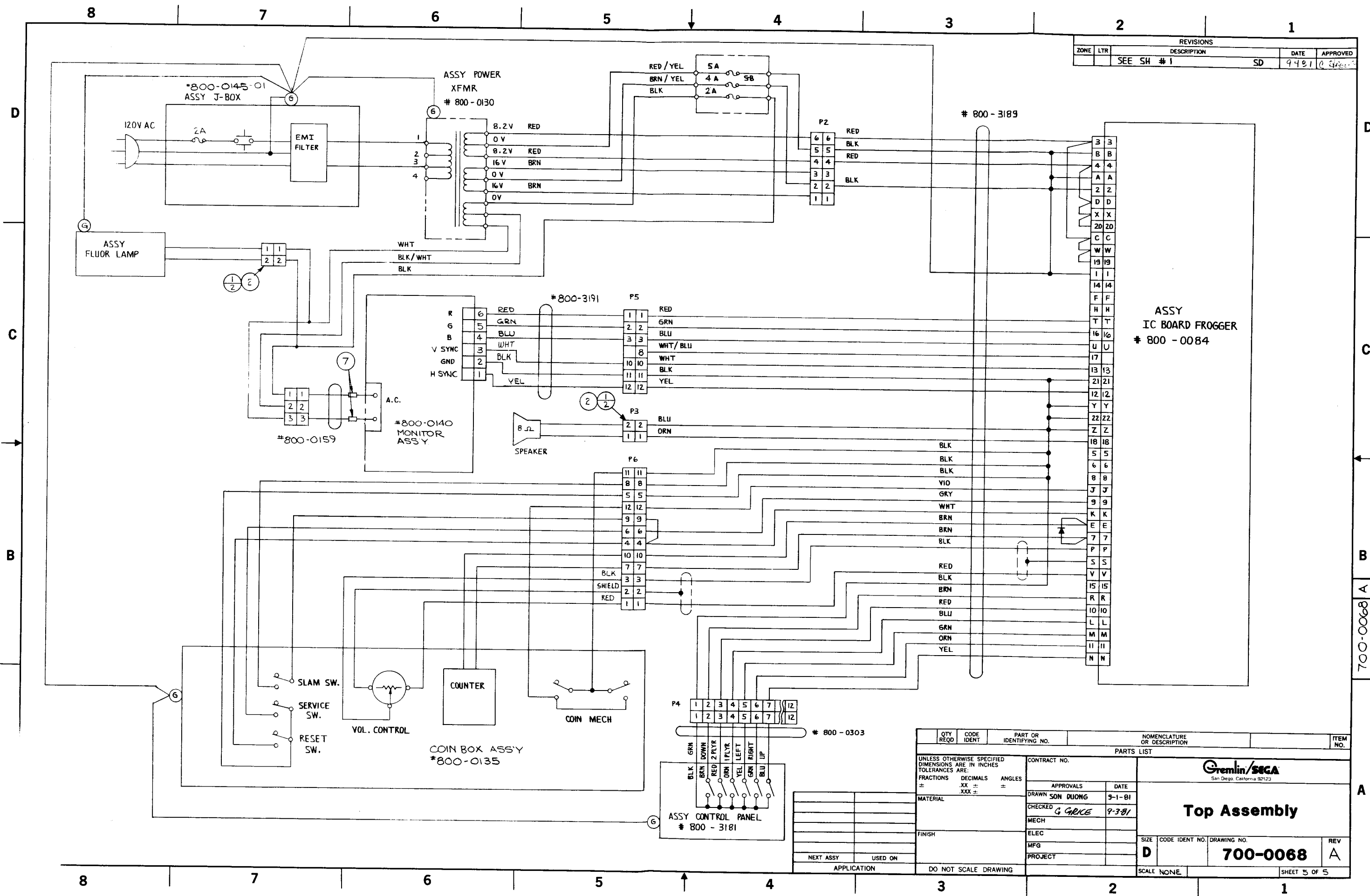


QTY REQD	CODE IDENT	PART OR IDENTIFYING NO.	NOMENCLATURE OR DESCRIPTION	ITEM NO.
PARTS LIST				
UNLESS OTHERWISE SPECIFIED DIMENSIONS ARE IN INCHES TOLERANCES ARE:				
FRACTIONS	DECIMALS	ANGLES		
±	.XX ±	±		
MATERIAL				
FINISH				
NEXT ASSY USED ON APPLICATION				
CONTRACT NO.		APPROVALS DATE		
DRAWN SON DUONG		8-28-81		
CHECKED G. GEICE		8-31-81		
MECH		ELEC		
MFG		PROJECT		
SCALE NONE		SHEET 5 OF 5		

Gremlin/SEGA
San Diego, California 92123

Cabinet Wiring Diagram

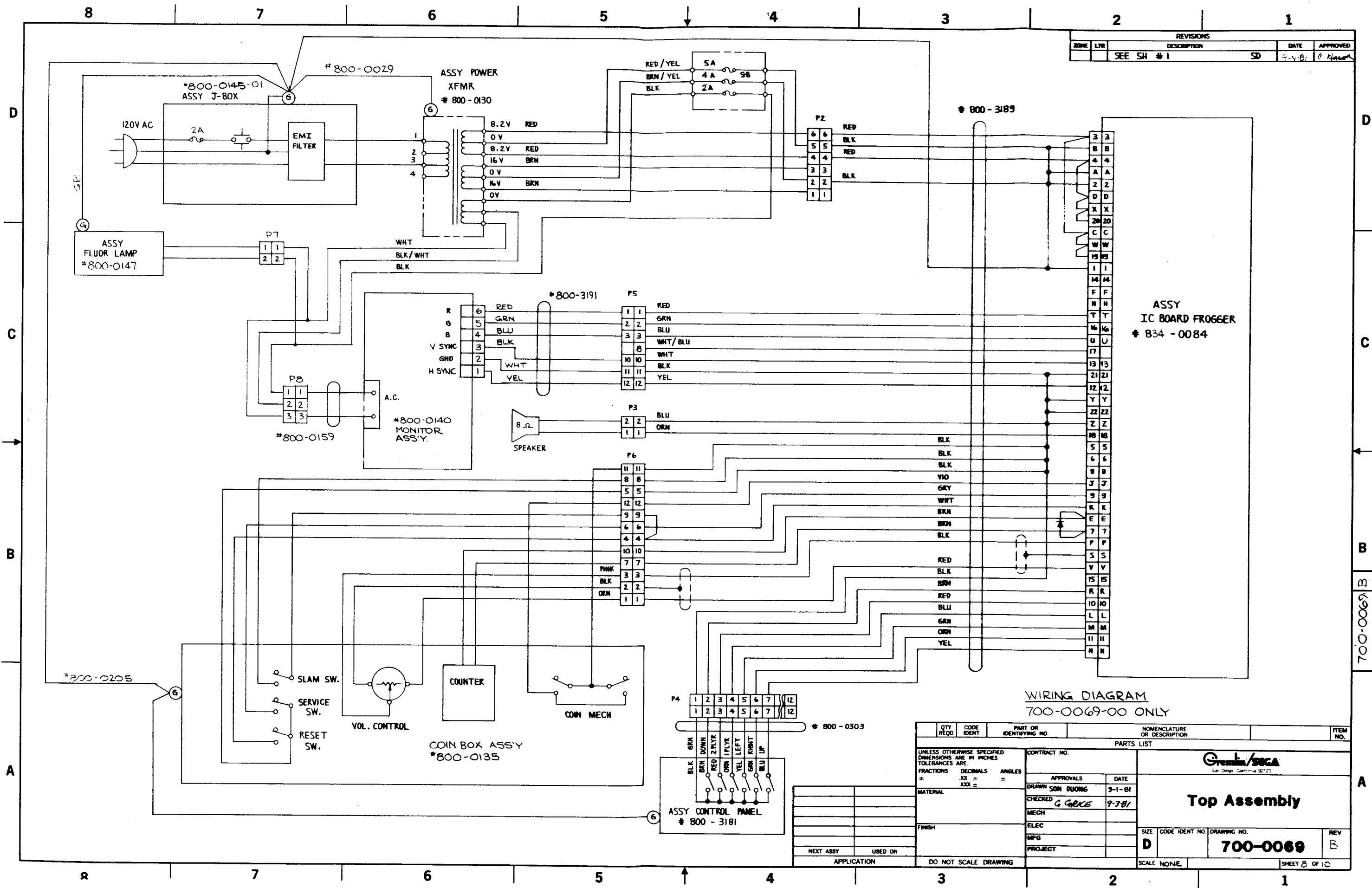
SIZE **D** CODE IDENT NO. **700-0067** DRAWING NO. **700-0067** REV **A**



REVISIONS				
ZONE	LTR	DESCRIPTION	DATE	APPROVED
		SEE SH #1	SD	9401

QTY REQD	CODE IDENT	PART OR IDENTIFYING NO.	NOMENCLATURE OR DESCRIPTION	ITEM NO.
PARTS LIST				
UNLESS OTHERWISE SPECIFIED DIMENSIONS ARE IN INCHES TOLERANCES ARE:		CONTRACT NO.		
FRACTIONS	DECIMALS	ANGLES	APPROVALS	DATE
±	XX ±	±	DRAWN SON DUONG	9-1-81
MATERIAL		CHECKED G GRICE 9-3-81		
FINISH		MECH		
NEXT ASSY		ELEC		
USED ON		MFG		
APPLICATION		PROJECT		
DO NOT SCALE DRAWING		SIZE CODE IDENT NO. DRAWING NO. REV		
		D 700-0068 A		
		SCALE NONE SHEET 5 OF 5		

700-0068



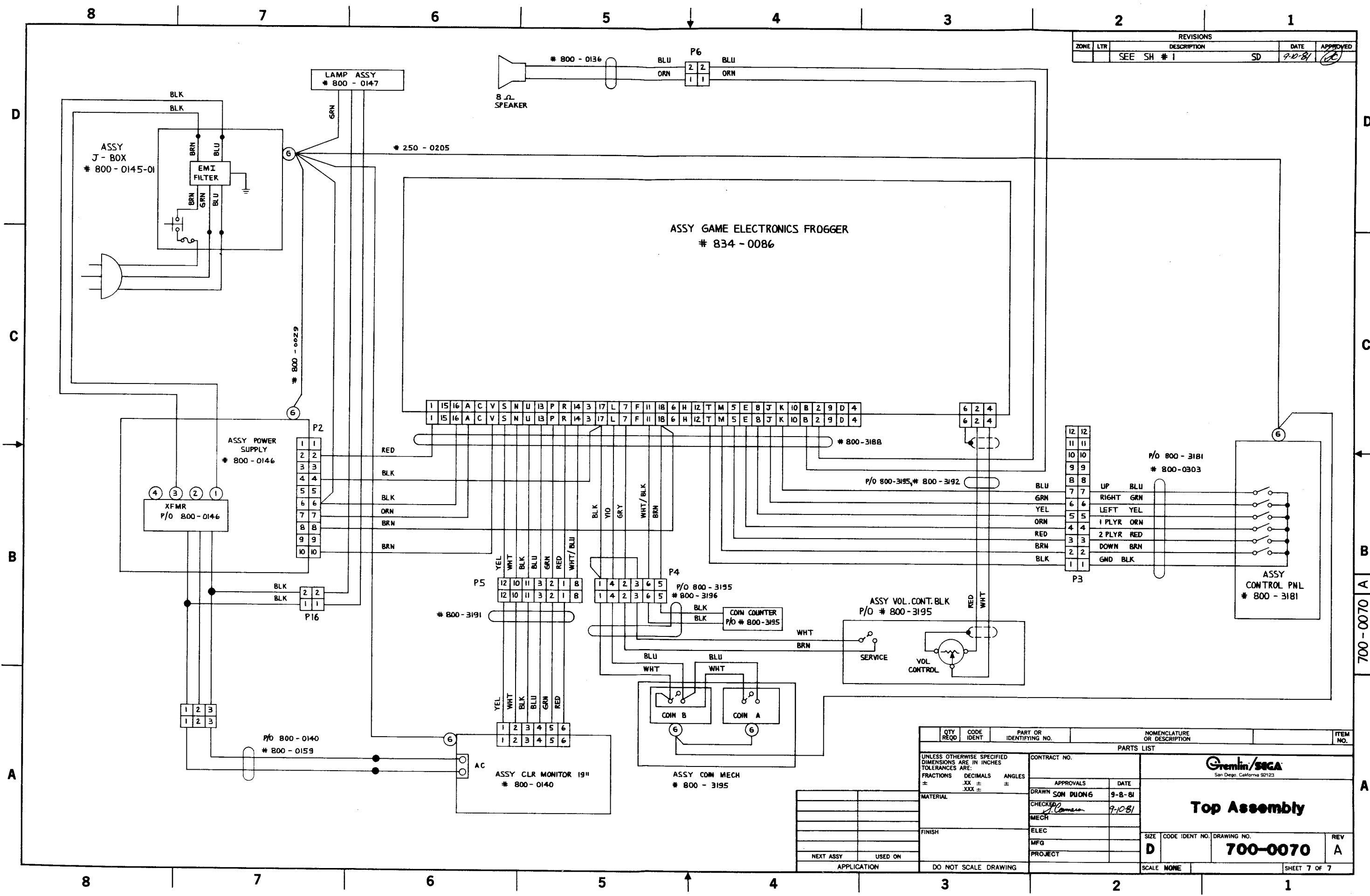
REVISIONS				
REV	DATE	DESCRIPTION	APPROVED	BY
1	9-1-81	SEE SH #1	SD	C. HANCOCK

WIRING DIAGRAM
700-0069-00 ONLY

QTY REQD	CODE IDENT	PART OR IDENTIFYING NO.	NOMENCLATURE OR DESCRIPTION	ITEM NO.
PARTS LIST				
UNLESS OTHERWISE SPECIFIED DIMENSIONS ARE IN INCHES TOLERANCES ARE: FRACTIONS DECIMALS ANGLES ± .010 ± .005 ± .010				
MATERIAL		CONTRACT NO.		
FINISH		APPROVALS DATE		
NEXT ASSY USED ON APPLICATION		DRAWN SON DUONG 9-1-81		
DO NOT SCALE DRAWING		CHECKED G. GARCIA 9-3-81		
		MECH		
		ELEC		
		MFG		
		PROJECT		
		SIZE CODE IDENT NO. DRAWING NO. REV		
		D 700-0069 B		
		SCALE NONE SHEET 2 OF 10		

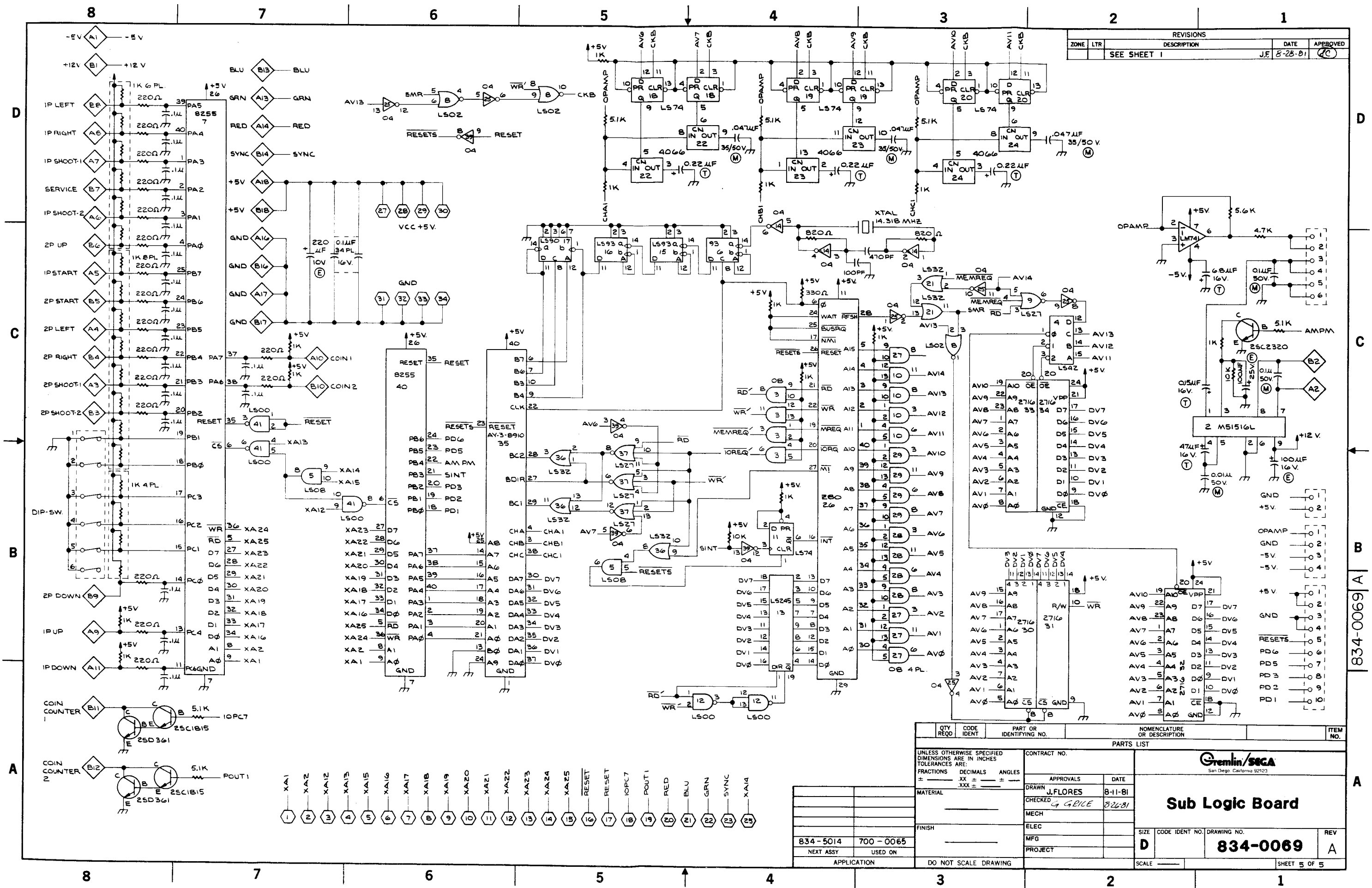
700-0069 B

REVISIONS				
ZONE	LTR	DESCRIPTION	DATE	APPROVED
		SEE SH # 1	SD 9-10-81	(Signature)



QTY REQD	CODE IDENT	PART OR IDENTIFYING NO.	NOMENCLATURE OR DESCRIPTION	ITEM NO.
UNLESS OTHERWISE SPECIFIED DIMENSIONS ARE IN INCHES TOLERANCES ARE: FRACTIONS DECIMALS ANGLES ± .XX ± ±				
MATERIAL		CONTRACT NO.		
FINISH		APPROVALS DATE		
NEXT ASSY USED ON APPLICATION		DRAWN SON DUONG 9-8-81		
		CHECKED (Signature) 9-10-81		
		MECH		
		ELEC		
		MFG		
		PROJECT		
		SIZE CODE IDENT NO. DRAWING NO. REV		
		D 700-0070 A		
		SCALE NONE SHEET 7 OF 7		

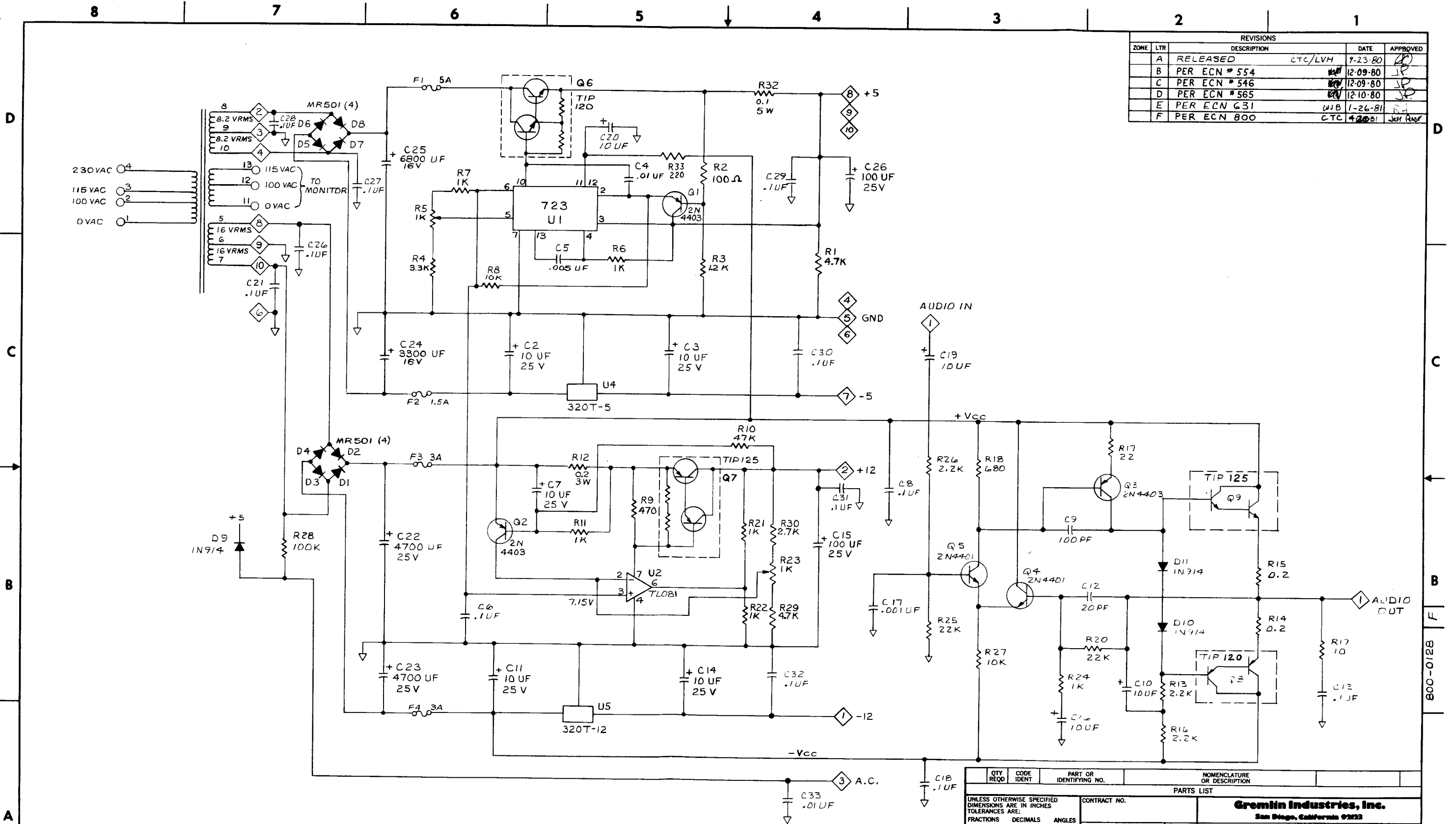
REVISIONS				
ZONE	LTR	DESCRIPTION	DATE	APPROVED
		SEE SHEET 1	J.F. 8-28-81	(C)



QTY REQD	CODE IDENT	PART OR IDENTIFYING NO.	NOMENCLATURE OR DESCRIPTION	ITEM NO.
PARTS LIST				
UNLESS OTHERWISE SPECIFIED DIMENSIONS ARE IN INCHES TOLERANCES ARE:		CONTRACT NO.		
FRACTIONS	DECIMALS	ANGLES	APPROVALS	
±	±	±	DATE	
MATERIAL		DRAWN J.FLORES 8-11-81		
FINISH		CHECKED G. GRIFFIN 8-26-81		
834-5014 700-0065		MECH		
NEXT ASSY USED ON		ELEC		
APPLICATION		MFG		
DO NOT SCALE DRAWING		PROJECT		
		SIZE CODE IDENT NO. DRAWING NO.		
		D 834-0069 A		
		SCALE SHEET 5 OF 5		

834-0069 A

REVISIONS				
ZONE	LTR	DESCRIPTION	DATE	APPROVED
A		RELEASED	7-23-80	[Signature]
B		PER ECN # 554	12-09-80	[Signature]
C		PER ECN # 546	12-09-80	[Signature]
D		PER ECN # 565	12-10-80	[Signature]
E		PER ECN # 631	1-26-81	[Signature]
F		PER ECN # 800	4-20-81	[Signature]



1. ALL RESISTANCE VALUES ARE IN OHMS, 1/2 W, ±5%.
 NOTES: UNLESS OTHERWISE INDICATED

QTY REQD	CODE IDENT	PART OR IDENTIFYING NO.	NOMENCLATURE OR DESCRIPTION

UNLESS OTHERWISE SPECIFIED DIMENSIONS ARE IN INCHES TOLERANCES ARE:

FRACTIONS	DECIMALS	ANGLES
±	XX ±	±
	.XXX ±	

CONTRACT NO. _____

APPROVALS: [Signature] DATE: 7-2-80

CHECKER: [Signature] DATE: 7-23-80

Gremlin Industries, Inc.
 San Diego, California 92123

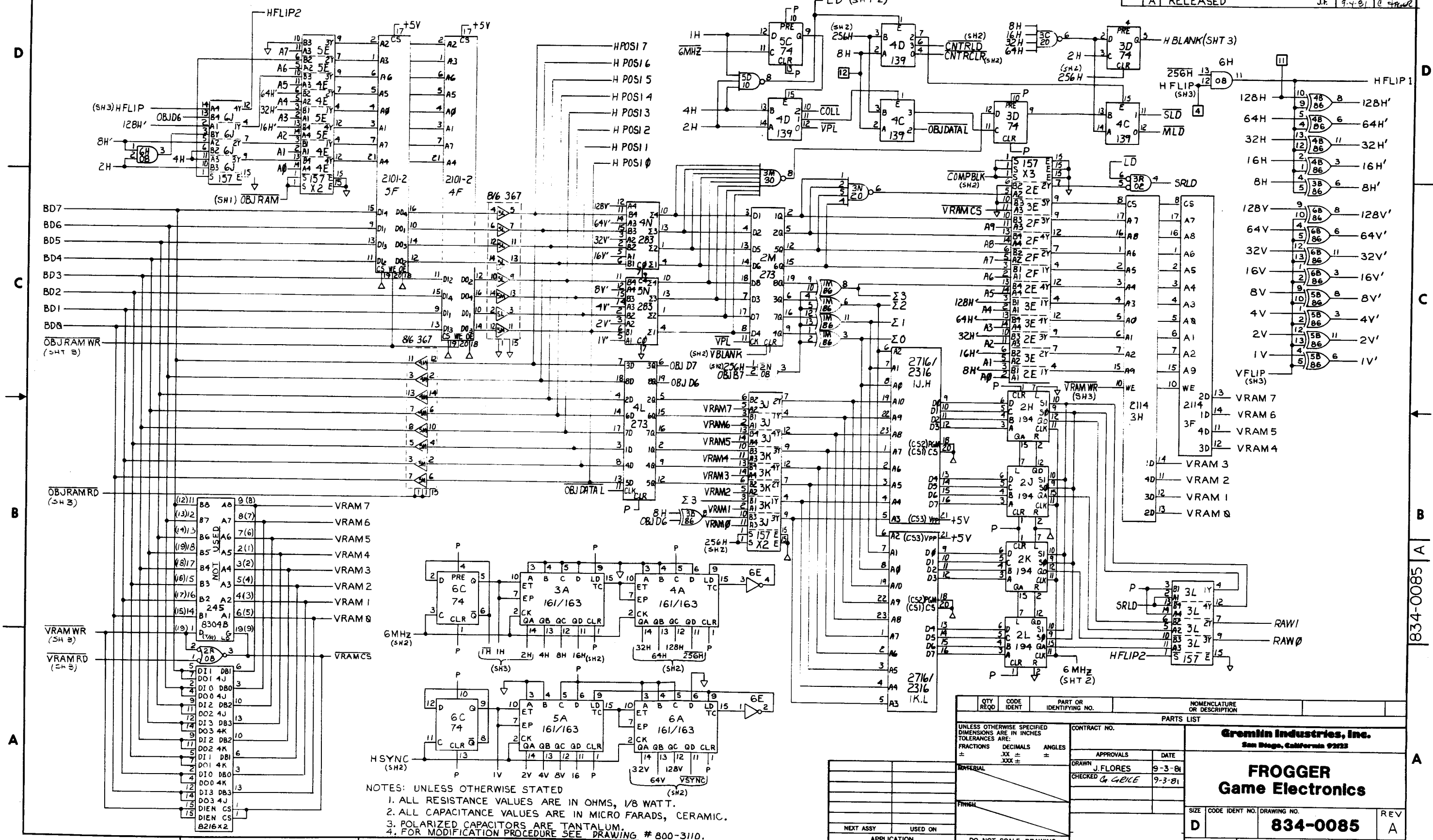
Game Power Supply

SIZE: D CODE IDENT NO.: 800-0128 DRAWING NO.: 800-0128 REV: F

SCALE: NONE SHEET 6 OF 6

MAIN I.C. BOARD SHT 1

REVISIONS			
ZONE	LTR	DESCRIPTION	DATE
A	RELEASED		J.F. 9-4-81

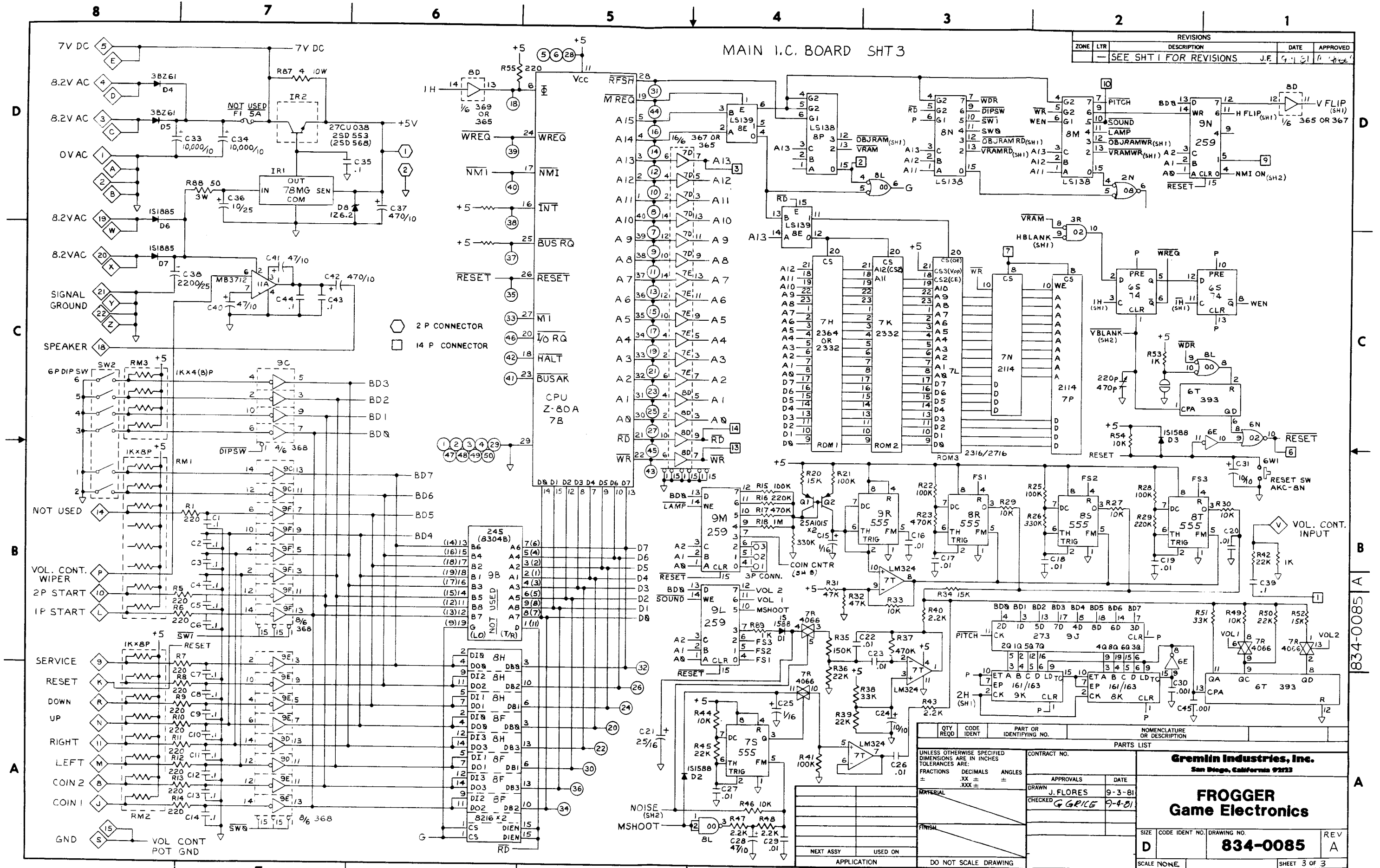


NOTES: UNLESS OTHERWISE STATED
 1. ALL RESISTANCE VALUES ARE IN OHMS, 1/8 WATT.
 2. ALL CAPACITANCE VALUES ARE IN MICRO FARADS, CERAMIC.
 3. POLARIZED CAPACITORS ARE TANTALUM.
 4. FOR MODIFICATION PROCEDURE SEE DRAWING # 800-3110.

QTY REQD	CODE IDENT	PART OR IDENTIFYING NO.	NOMENCLATURE OR DESCRIPTION
			Gremlin Industries, Inc. San Diego, California 92123
		FROGGER Game Electronics	
		DATE	9-3-81
		CHECKED	G. GEICE
		DATE	9-3-81
		SCALE	NONE
		SIZE	D
		CODE IDENT NO.	834-0085
		REV	A
		SHEET	1 OF 3

MAIN I.C. BOARD SHT 3

REVISIONS				
ZONE	LTR	DESCRIPTION	DATE	APPROVED
-		SEE SHT 1 FOR REVISIONS	J.F. 9-1-81	[Signature]



QTY REQD		CODE IDENT	PART OR IDENTIFYING NO.	NOMENCLATURE OR DESCRIPTION
UNLESS OTHERWISE SPECIFIED DIMENSIONS ARE IN INCHES TOLERANCES ARE:				
FRACCTIONS	DECIMALS	ANGLES		
=	.XX ±	=		
PARTS LIST				
MATERIAL		FINISH		
NEXT ASSY		USED ON		
APPLICATION		DO NOT SCALE DRAWING		

CONTRACT NO.		APPROVALS		DATE
		DRAWN J. FLORES		9-3-81
		CHECKED G. GRICE		9-4-81
Gremlin Industries, Inc. San Diego, California 92123				
FROGGER Game Electronics				
SIZE	CODE IDENT NO.	DRAWING NO.	REV	
D		834-0085	A	
SCALE NONE		SHEET 3 OF 3		