

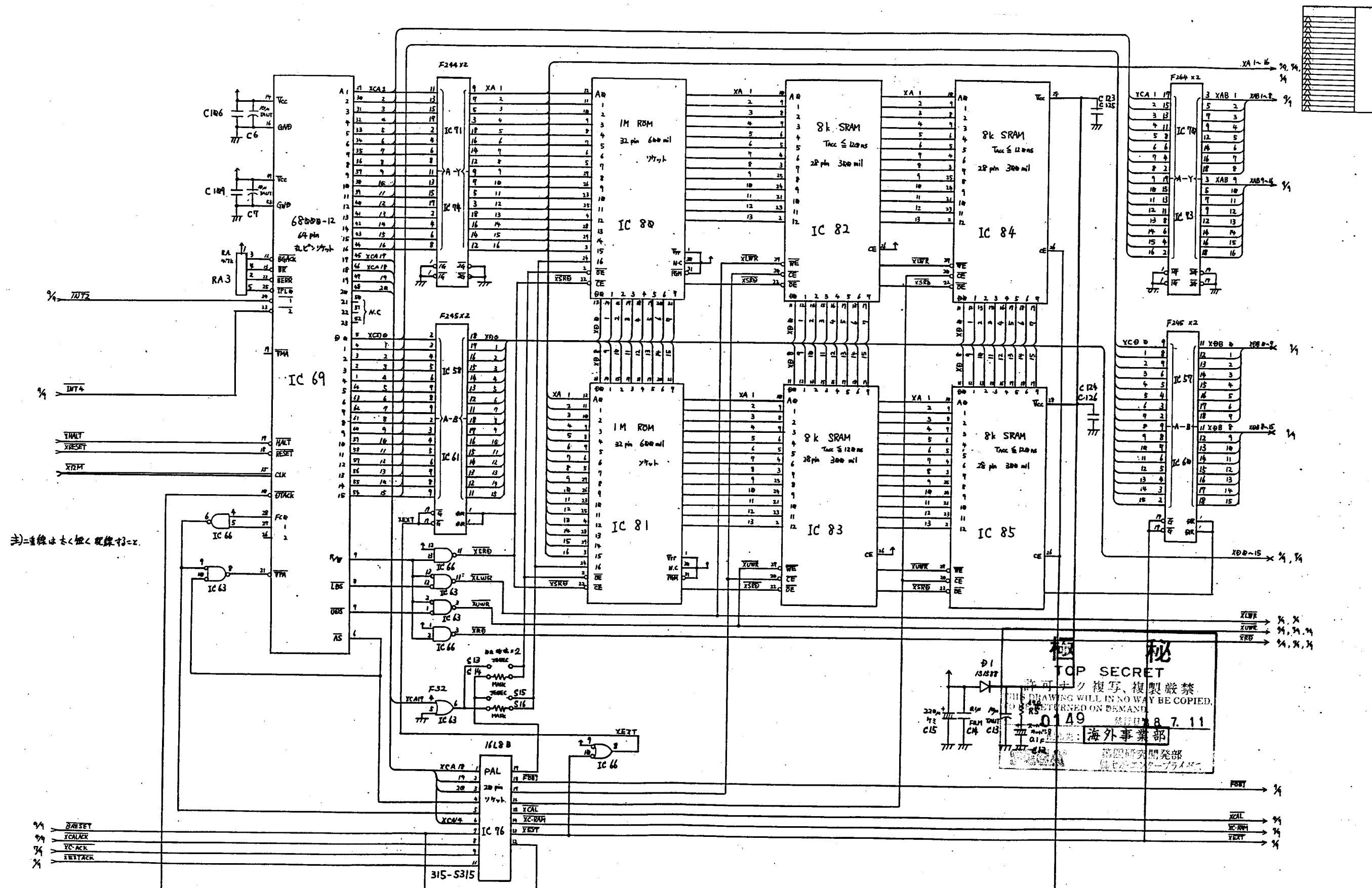
主)=重線は太く細く配線は細く

MD7-120-10

SEGA SEGA ENTERPRISES, LTD.		APR. 11 '88
THIS DRAWING WILL IN NO WAY BE COPIED. 許可なく複製 複製厳禁 TO BE RETURNED ON DEMAND. 複製厳禁		ASBY 中野
CPU BD		REV
GALAXY FORCE		B37-6565
DESCRIPTION		PART NO.
171-5609		SHEET 1 of 9

for Power drift, G Loc, galaxy force





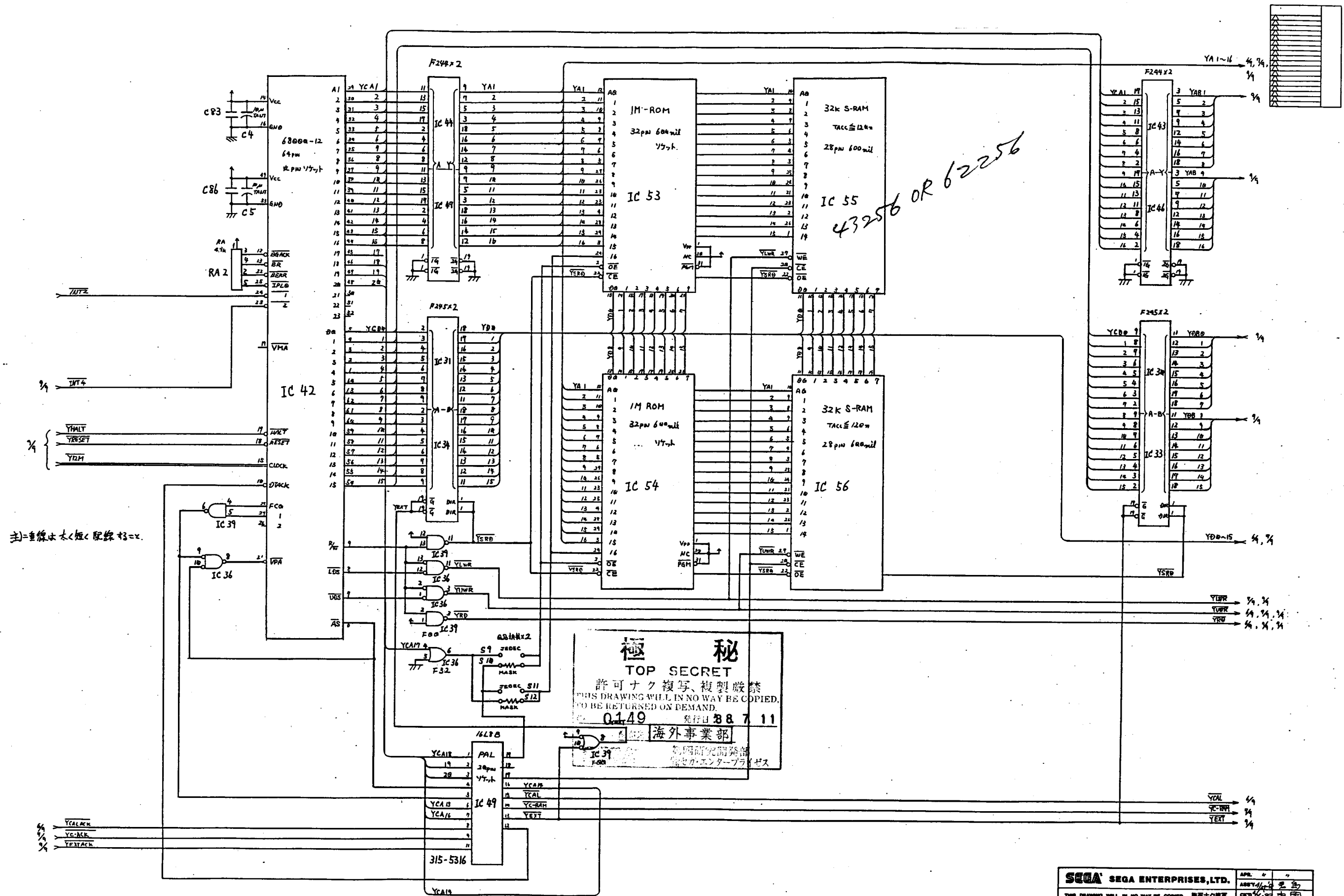
注) 重線は太く短く記線は細く記す。

TOP SECRET  
 許可なく複写、複製厳禁  
 THIS DRAWING WILL IN NO WAY BE COPIED,  
 REPRODUCED OR TRANSMITTED IN ANY FORM  
 OR BY ANY MEANS, WITHOUT PERMISSION IN WRITING  
 FROM SEGA ENTERPRISES, LTD.  
 0149  
 8.7.11  
 海外事業部

SEGA SEGA ENTERPRISES, LTD.		REV
THIS DRAWING WILL IN NO WAY BE COPIED, REPRODUCED OR TRANSMITTED IN ANY FORM OR BY ANY MEANS, WITHOUT PERMISSION IN WRITING FROM SEGA ENTERPRISES, LTD.		837-6565
CPU BD GALAXY FORCE		PART NO.
DESCRIPTION		SHEET 3 OF 9
171-5609		

Schem for galaxy force, Cloc, Power drift.

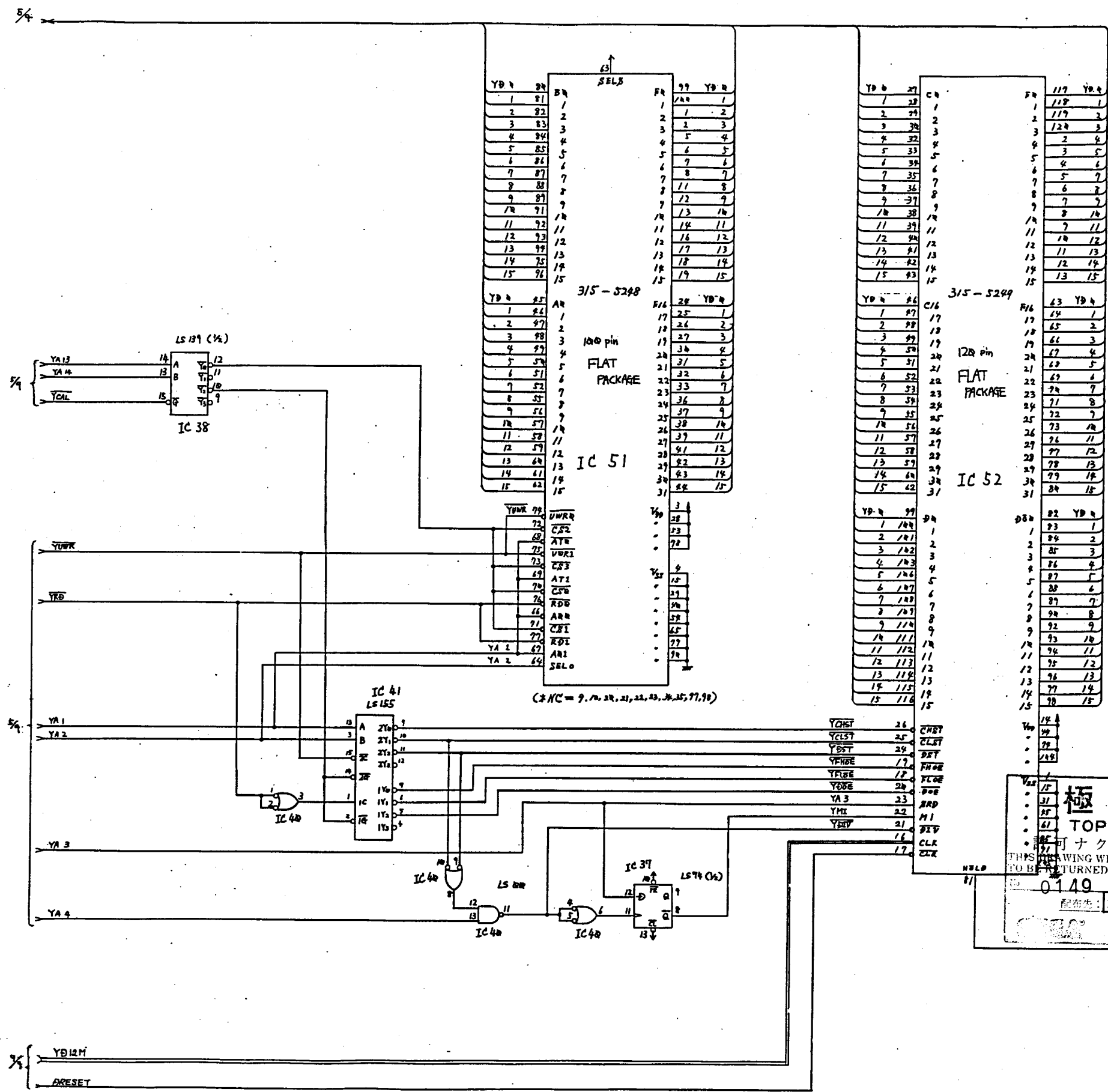




注=重線は太く短く配線は×

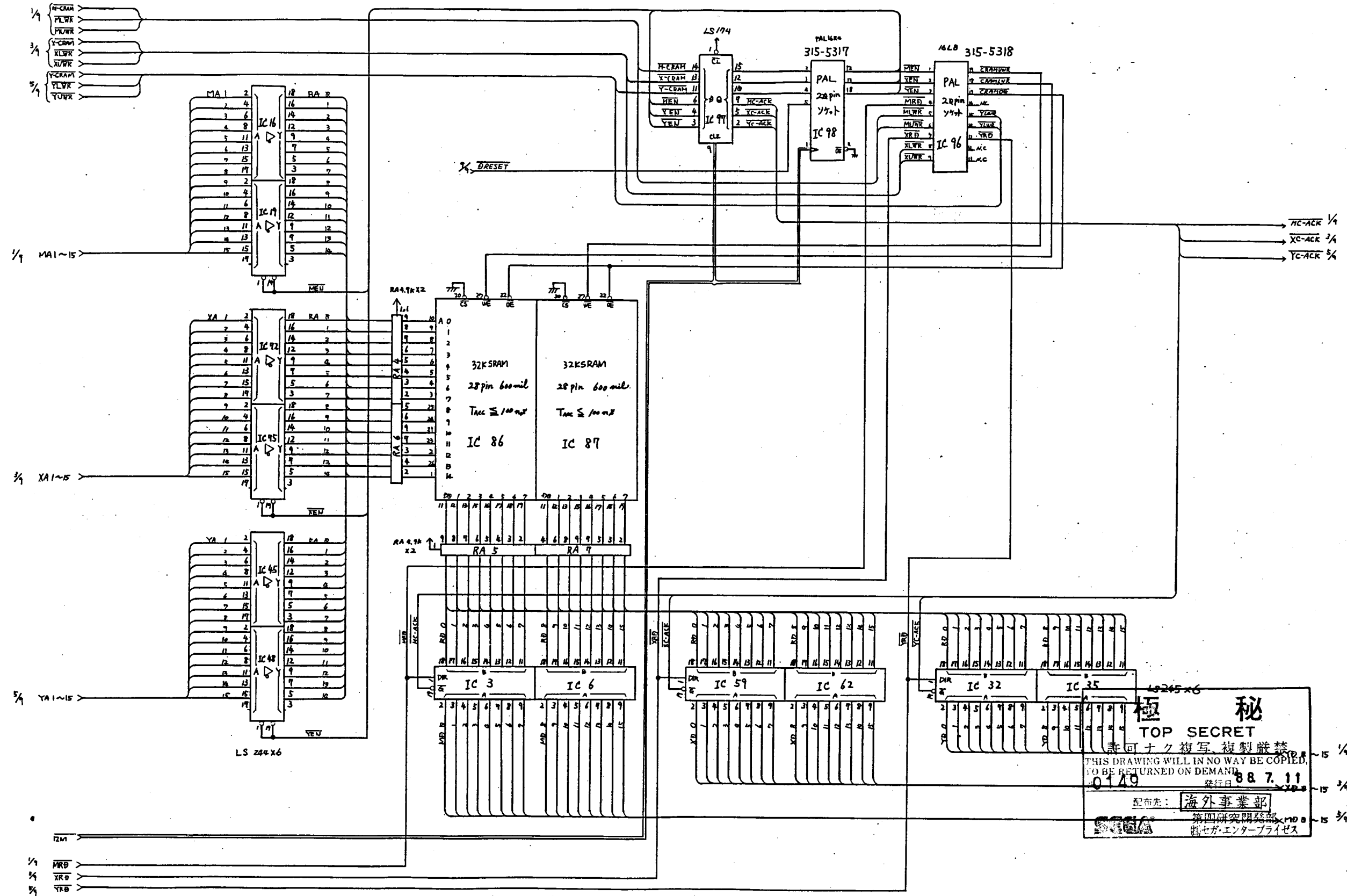
**極 秘**  
**TOP SECRET**  
 許可なく複写、複製厳禁  
 THIS DRAWING WILL IN NO WAY BE COPIED,  
 REPRODUCED OR TRANSMITTED IN ANY FORM,  
 OR BY ANY MEANS, ELECTRONIC OR MECHANICAL,  
 INCLUDING PHOTOCOPYING, RECORDING, OR BY  
 INFORMATION STORAGE AND RETRIEVAL SYSTEMS.  
 TO BE RETURNED ON DEMAND.  
 0149 発行日 88.7.11  
 海外事業部  
 電研開発部  
 セガ・エンタープライゼス

<b>SEGA SEGA ENTERPRISES, LTD.</b>		APR. 27
THIS DRAWING WILL IN NO WAY BE COPIED, REPRODUCED OR TRANSMITTED IN ANY FORM, OR BY ANY MEANS, ELECTRONIC OR MECHANICAL, INCLUDING PHOTOCOPYING, RECORDING, OR BY INFORMATION STORAGE AND RETRIEVAL SYSTEMS. TO BE RETURNED ON DEMAND. 許可なく複写、複製厳禁		ASST. 佐々木 浩
<b>CPU BD</b>		CHKD 佐々木 浩
<b>GALAXY FORCE</b>		DRW 佐々木 浩
DESCRIPTION		REV
171-5609		837-6565
PART NO.		SHEET 5 of 9



**極 秘**  
 TOP SECRET  
 許可なく複写、複製厳禁  
 THIS DRAWING WILL IN NO WAY BE COPIED,  
 TO BE RETURNED ON DEMAND.  
 0149 発行日: 88.7.11  
 配布先: 海外事業部  
 第四研究開発部  
 セガ・エンタープライゼス

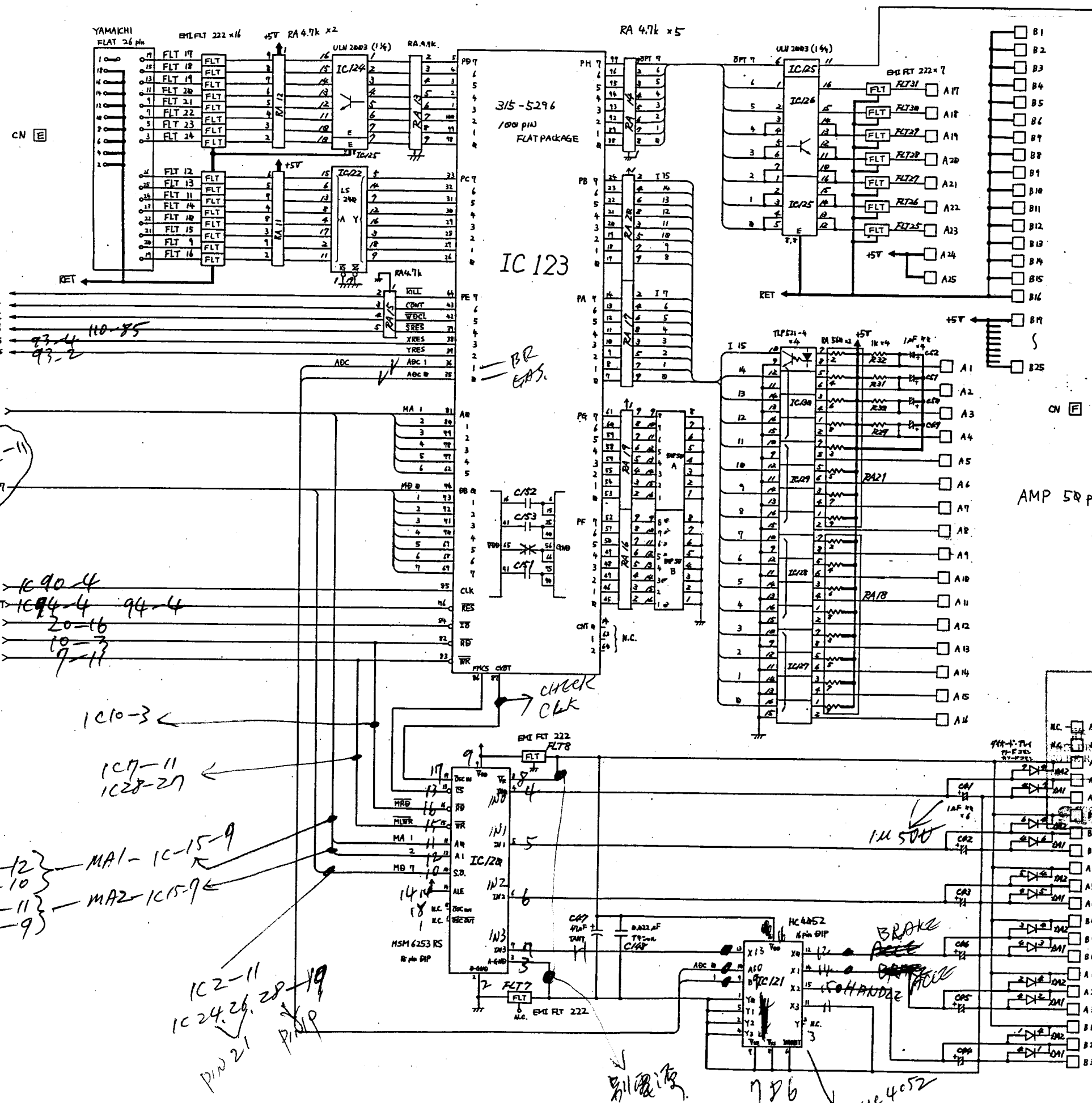
SEGA SEGA ENTERPRISES, LTD.	APR. 11
THIS DRAWING WILL IN NO WAY BE COPIED. 許可なく複写、複製厳禁 TO BE RETURNED ON DEMAND. 複製厳禁	REV. 11
CPU BD	REV. 11
GALAXY FORCE	837-6565
DESCRIPTION	PART NO.
171-5609	SHEET 6 OF 9



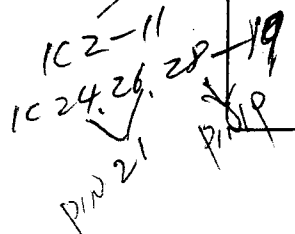
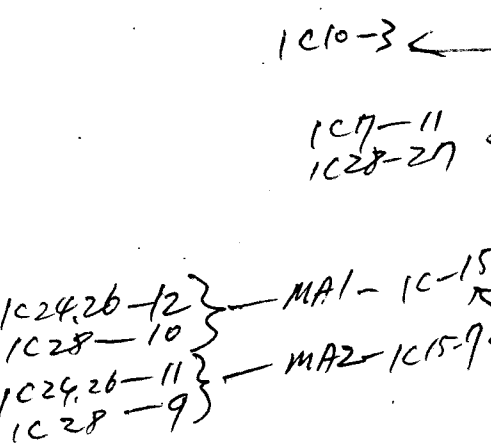
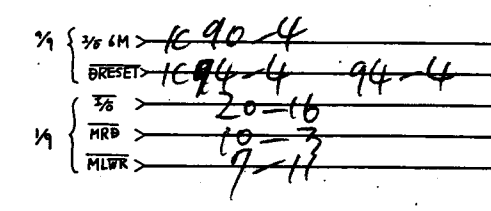
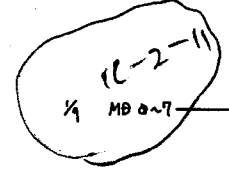
1
2
3
4
5
6
7
8
9
10
11
12
13
14
15
16
17
18
19
20
21
22
23
24
25
26
27
28
29
30
31
32

**極 秘**  
**TOP SECRET**  
 許可ナク複写 複製厳禁  
 THIS DRAWING WILL IN NO WAY BE COPIED,  
 TO BE RETURNED ON DEMAND  
 0149 発行日 88.7.11  
 配布先: 海外事業部  
 第四研究開発部 MD 8  
 セガ エンタープライゼス

SEGA SEGA ENTERPRISES, LTD.	APL	11	11
	ASBY	4	11
THIS DRAWING WILL IN NO WAY BE COPIED, TO BE RETURNED ON DEMAND.	CTD	11	11
	DRW	11	11
CPU BD GALAXY FORCE		REV	11
DESCRIPTION		PART NO.	837-6565
171-5609		SHEET	9 of 9



- IC2
- MD0-18
- 1-17
- 2-16
- 3-15
- 4-14
- 5-13
- 6-12
- 7-11



BRK (ACC) { PINK TOP A7 - Vcc  
 BLU/RED TOP A2 - IC121-14  
 BRN TOP A9 - GND

BRK (ACC) { PINK TOP A7 - Vcc  
 BLU/YEL BOT B5 - IC121-12  
 BRN TOP A9 - GND

HAND STEER { PINK/WHT TOP A4  
 GRN BOT B2 - IC121-15  
 BRN/WHT TOP A6

注) 本線の +5V, RET と MSM6253 RS の V<sub>A</sub>-GND 端子は別電源にてつなぐ。

**秘**

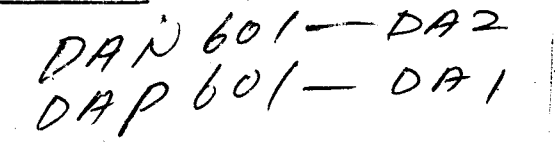
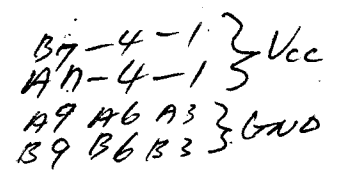
TOP SECRET

この図の複製、複製を禁ずる。複製をしないこと。複製をしないこと。複製をしないこと。

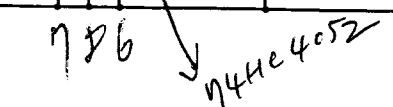
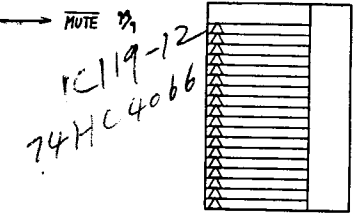
THIS DRAWING WILL IN NO WAY BE COPIED, REPRODUCED OR TRANSMITTED IN ANY FORM OR BY ANY MEANS, WITHOUT PERMISSION IN WRITING FROM SEGA ENTERPRISES, LTD.

海外事業部

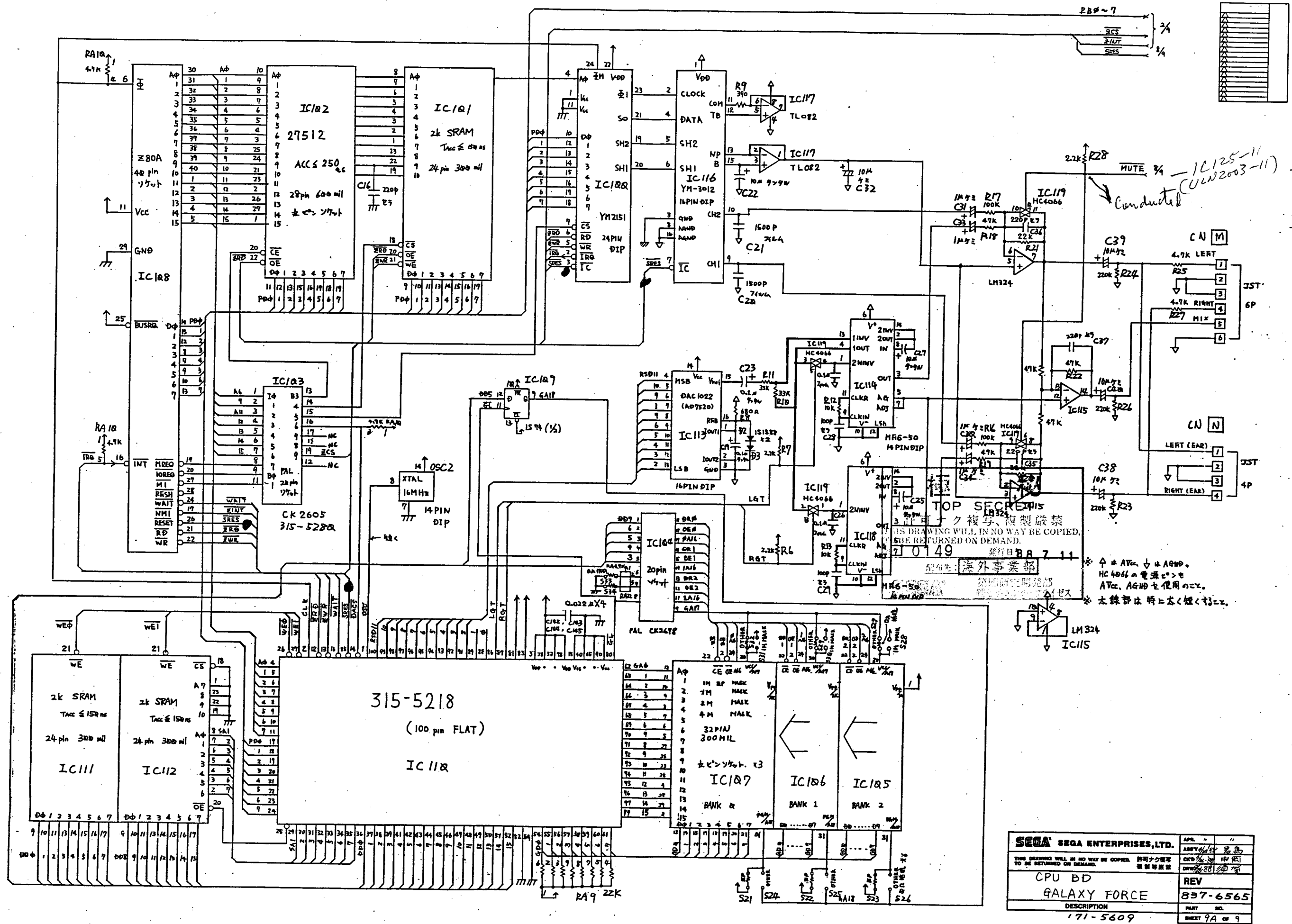
1987.11



SEGA SEGA ENTERPRISES, LTD.	
THIS DRAWING WILL IN NO WAY BE COPIED, REPRODUCED OR TRANSMITTED IN ANY FORM OR BY ANY MEANS, WITHOUT PERMISSION IN WRITING FROM SEGA ENTERPRISES, LTD.	許可なく複製、複製を禁ずる。複製をしないこと。複製をしないこと。複製をしないこと。
HAND CPU BD	REV
GALAXY FORCE	837-6565
DESCRIPTION	PART NO.
171-5609	SHEET 8 OF 9







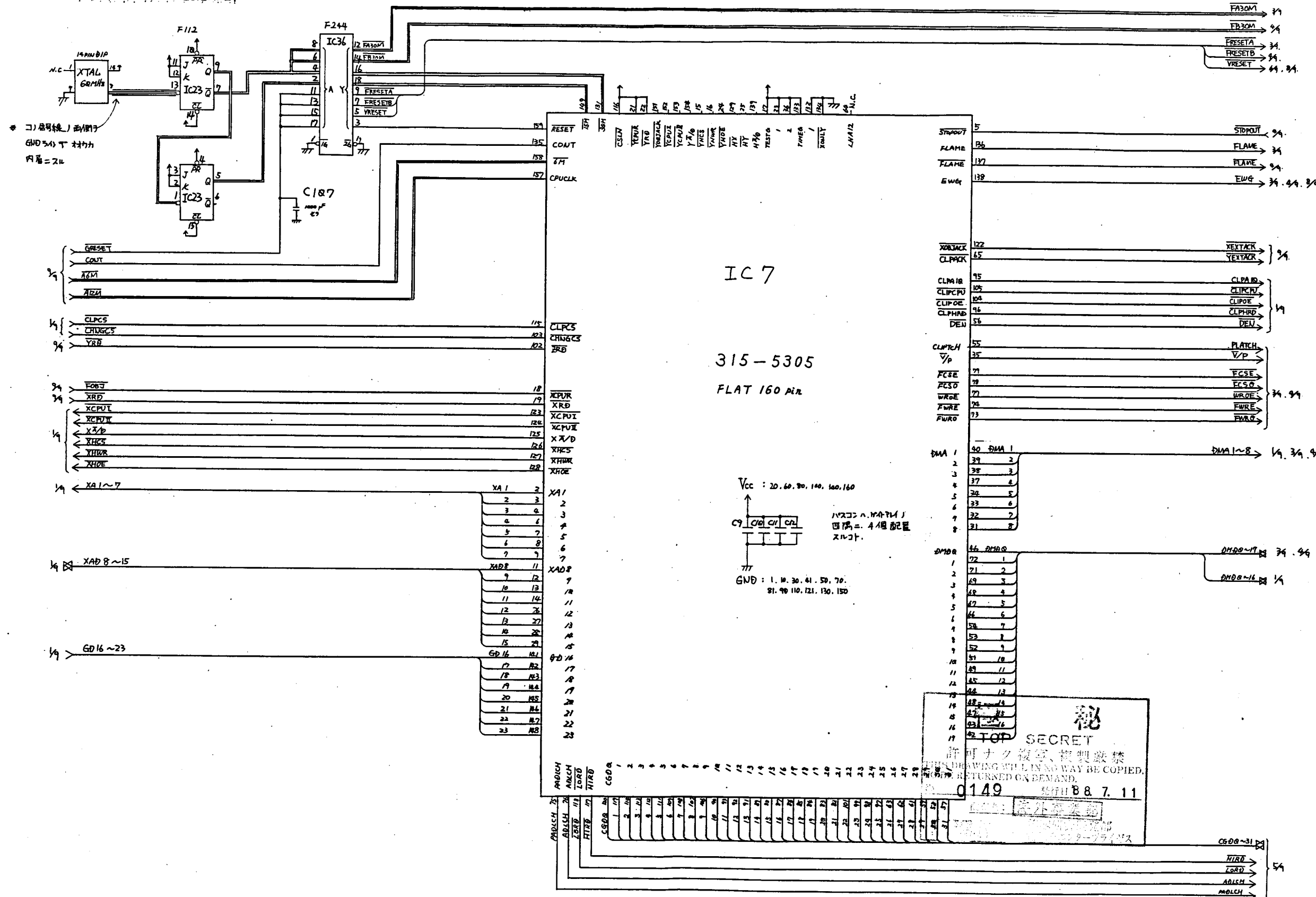
TOP SECRET  
 複製・複製厳禁  
 THIS DRAWING WILL IN NO WAY BE COPIED,  
 REPRODUCED OR TRANSMITTED IN ANY FORM  
 WITHOUT PERMISSION IN WRITING FROM  
 SEGA ENTERPRISES, LTD.  
 71049  
 海外事業部

SEGA SEGA ENTERPRISES, LTD.		APL	
THIS DRAWING WILL IN NO WAY BE COPIED, TO BE RETURNED ON DEMAND.		ASST	
CPU BD		REV	
GALAXY FORCE		837-6565	
DESCRIPTION		PART NO.	
171-5609		SHEET 9A OF 9	





\* 三重線は本機の端子配線スロット



\* コ) 屈折線ノ面側  
GND 54) T 材力  
内層=2L

**秘**

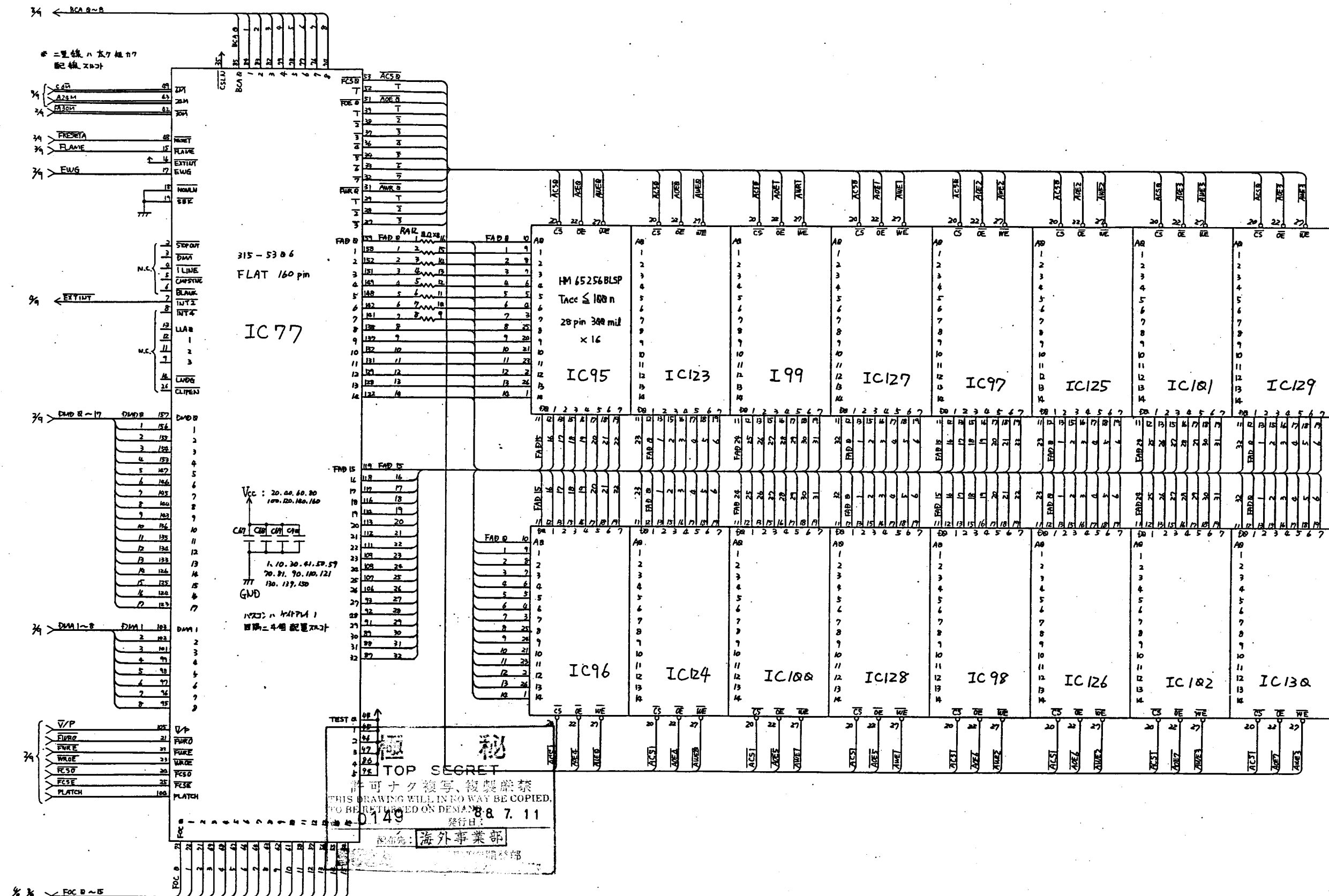
TOP SECRET

許可なく複製、複製厳禁  
THIS DRAWING WILL IN NO WAY BE COPIED,  
REPRODUCED OR RETURNED ON DEMAND.

0149 発行日 88.7.11

SEGA SEGA ENTERPRISES, LTD.	APR 11	11
THIS DRAWING WILL IN NO WAY BE COPIED, TO BE RETURNED ON DEMAND.	ASST 11	11
VIDEO BD	REV	
GALAXY FORCE	837-6566	
DESCRIPTION	PART NO.	
171-5610	SHEET 2 OF X	

1
2
3
4
5
6
7
8
9
10
11
12
13
14
15
16
17
18
19
20
21
22
23
24
25
26
27
28
29
30
31
32
33
34
35
36
37
38
39
40
41
42
43
44
45
46
47
48
49
50
51
52
53
54
55
56
57
58
59
60
61
62
63
64
65
66
67
68
69
70
71
72
73
74
75
76
77
78
79
80
81
82
83
84
85
86
87
88
89
90
91
92
93
94
95
96
97
98
99
100



**TOP SECRET**

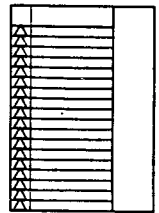
許可ナク複写、複製厳禁  
THIS DRAWING WILL IN NO WAY BE COPIED.  
TO BE RETURNED ON DEMAND.

0149 88.7.11

発行日: 88.7.11

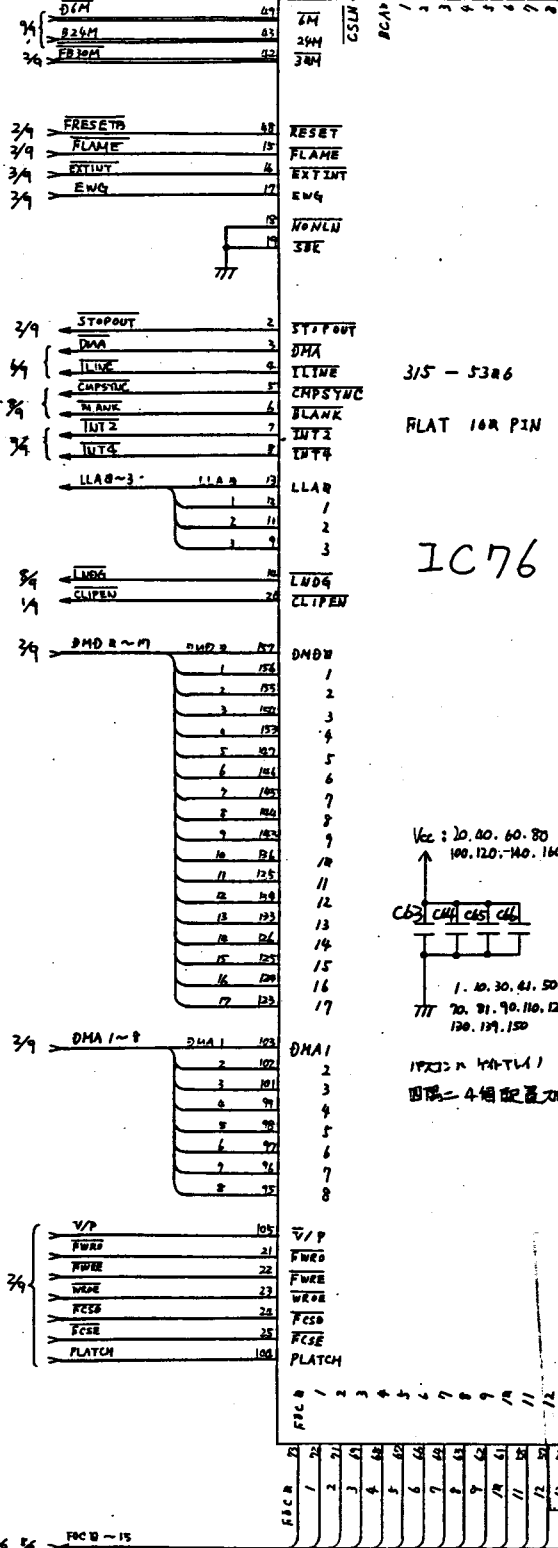
部署: 海外事業部

<b>SEGA</b> SEGA ENTERPRISES, LTD.	APP. " "
THIS DRAWING WILL IN NO WAY BE COPIED. 許可ナク複写 TO BE RETURNED ON DEMAND. 複製厳禁	CHKD 中野 DWN 中野
VIDEO BD	REV
GALAXY FORCE	837-6566
DESCRIPTION	PART NO.
171-5610	SHEET 3 OF X



BCA 2-8

\*二重線入本ノ短カク配線取ナシ



3/5 - 5386

FLAT 108 PIN

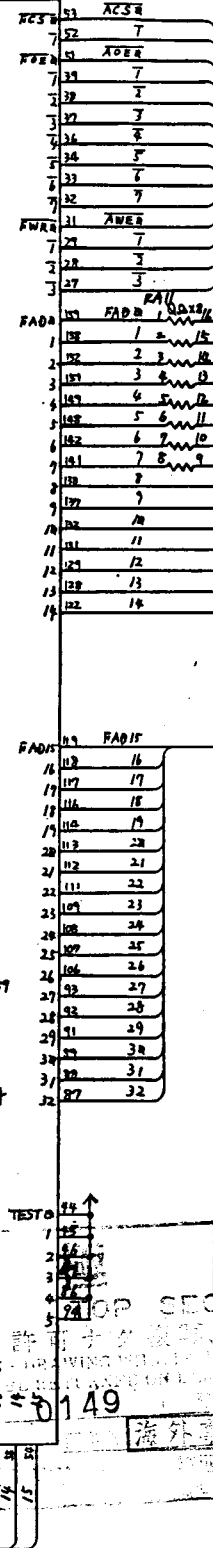
IC76

Vcc : 20, 40, 60, 80, 100, 120, 140, 160

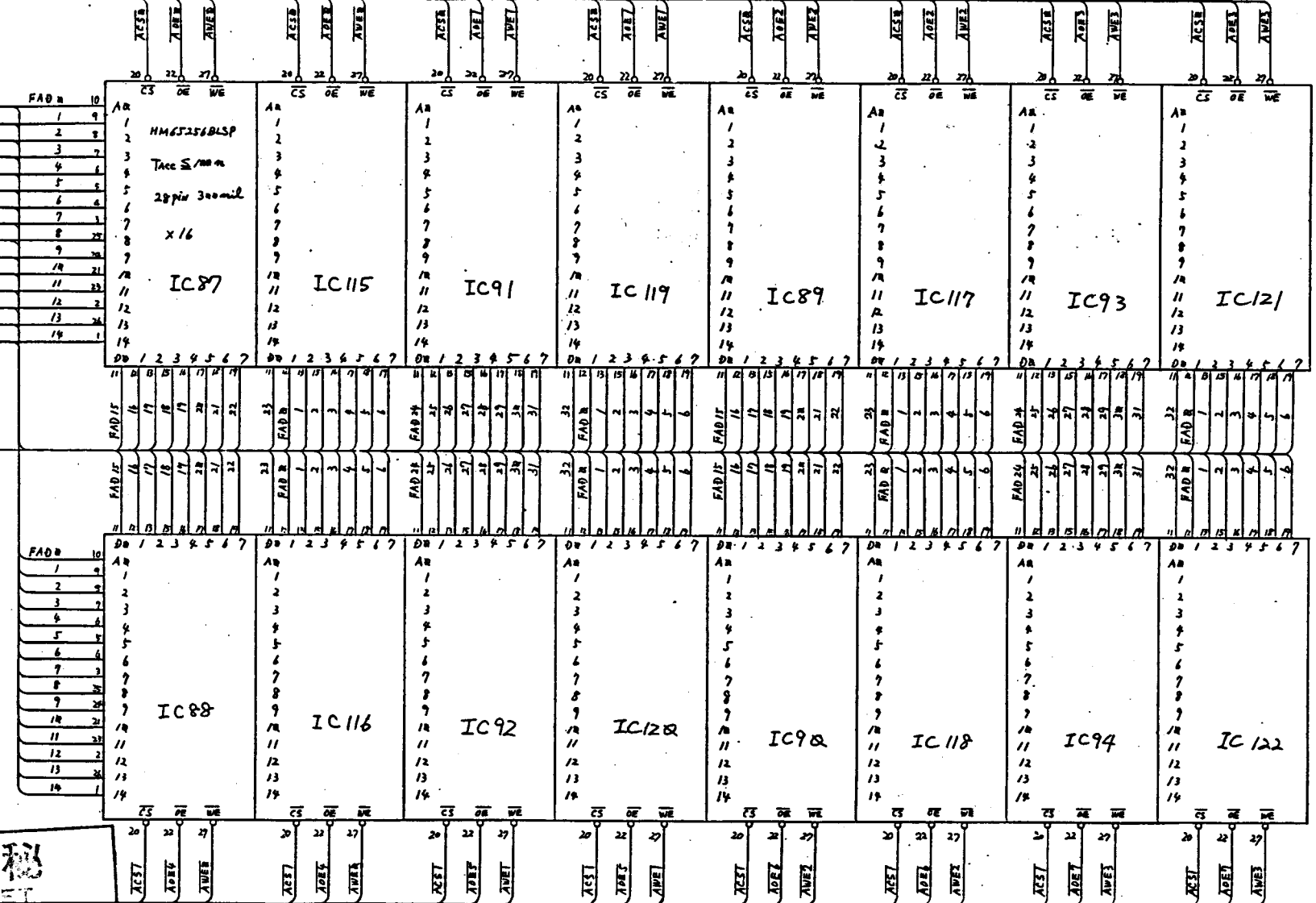
1, 40, 30, 41, 50, 59, 70, 81, 90, 110, 121, 130, 139, 150

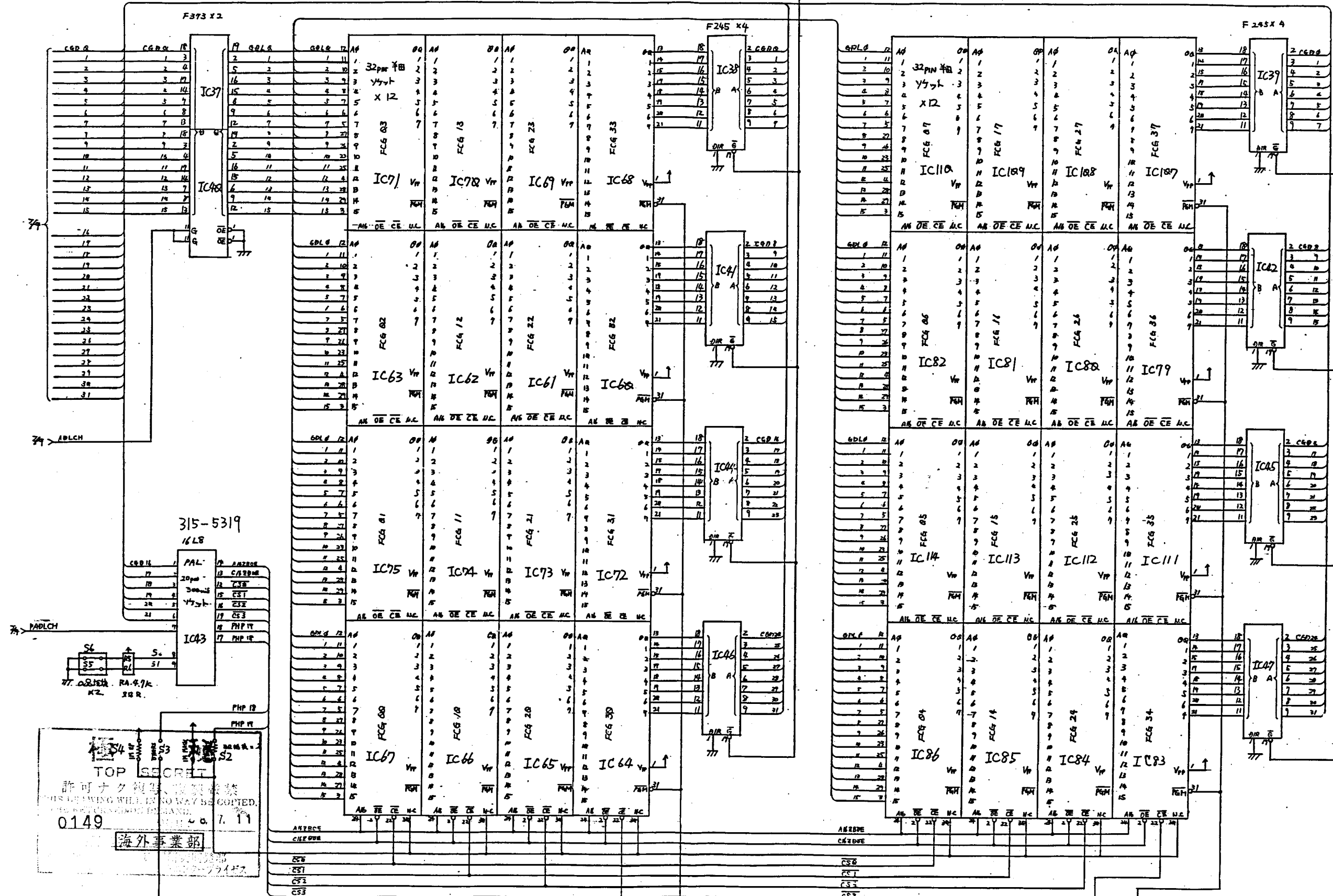
1P20 x 44-TL1

回路ニ4個設置取ナシ



TOP SECRET  
 88 7. 11  
 149  
 海外  
 プライズ





315-5319  
16L8

IC43

ANTENNA  
CABLE  
CSB  
CSA  
CS3  
CS2  
CS1  
CS0

PHP 12  
PHP 11

TOP SECRET  
許可なく複製されず  
THIS DRAWING WILL IN NO WAY BE COPIED.  
0149  
海外事業部

SEGA SEGA ENTERPRISES, LTD.

APR 11 '81

ASSEMBLY NO. 837-6566

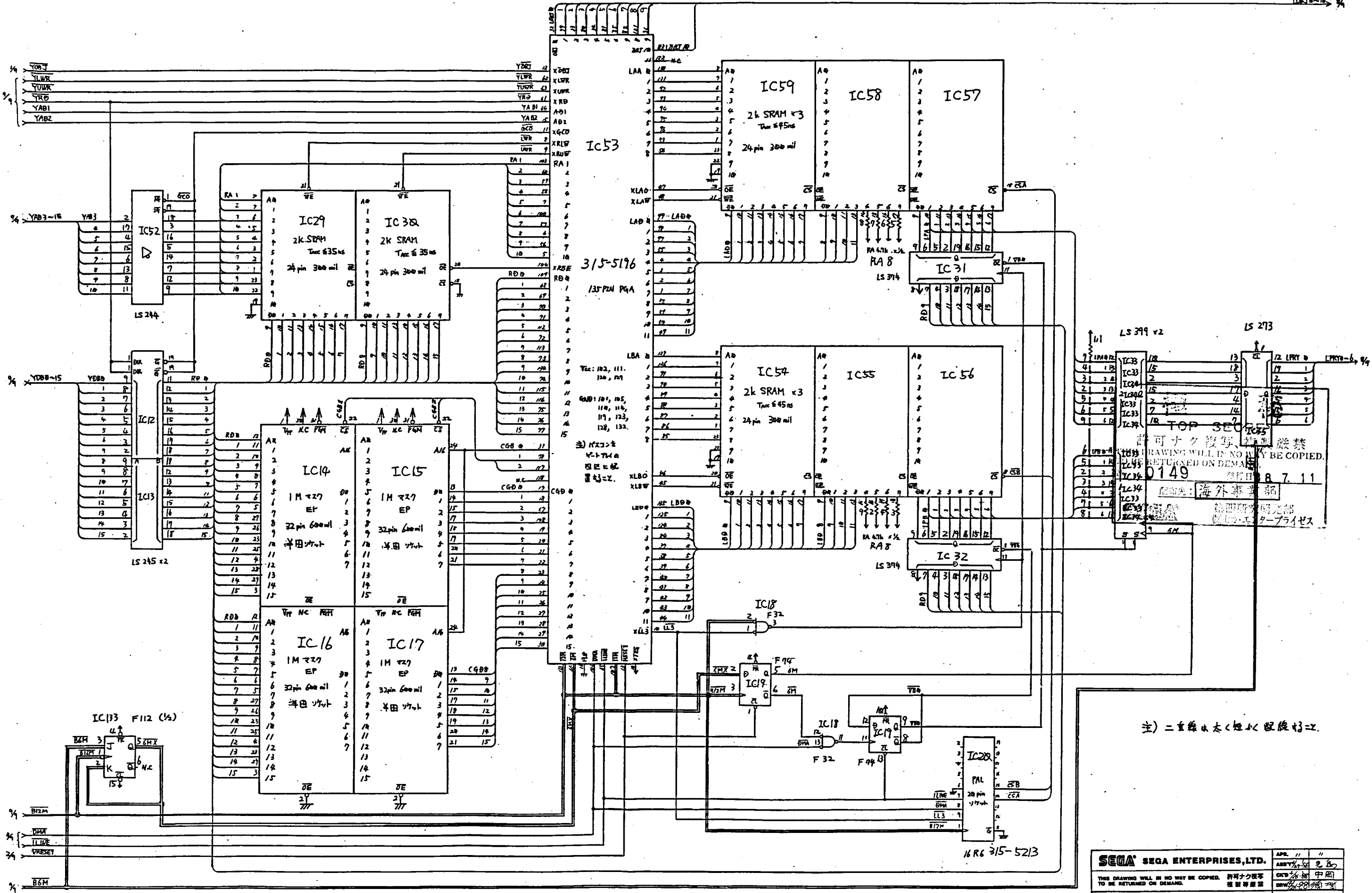
VIDEO BD  
GALAXY FORCE

DESCRIPTION

REV 837-6566

171-5610

SHEET 5 OF X



IC33 1/8  
IC33 1/5  
IC33 2  
IC33 1/15  
IC33 1/17  
IC33 1/14  
IC33 1/14  
IC33 1/14  
IC33 1/8  
IC33 1/8  
IC33 1/8  
IC33 1/8

TOP SECTION

許可なく複製 厳禁  
DRAWING WILL IN NO WAY BE COPIED.  
RETURNED ON DEMAND.

0149  
8.7.11  
海外事業部

注) 二重線は太く短く配線すること。

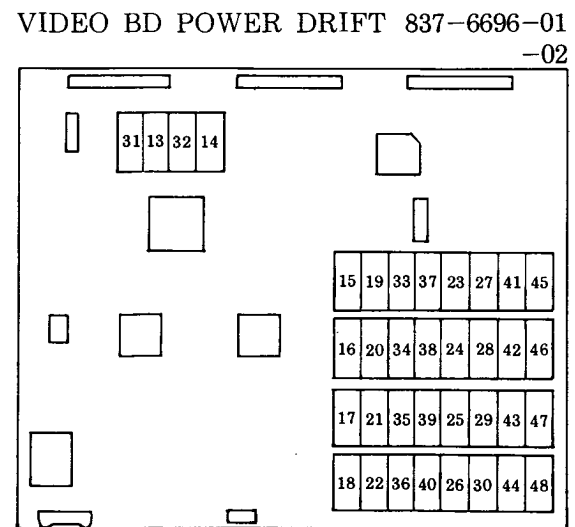
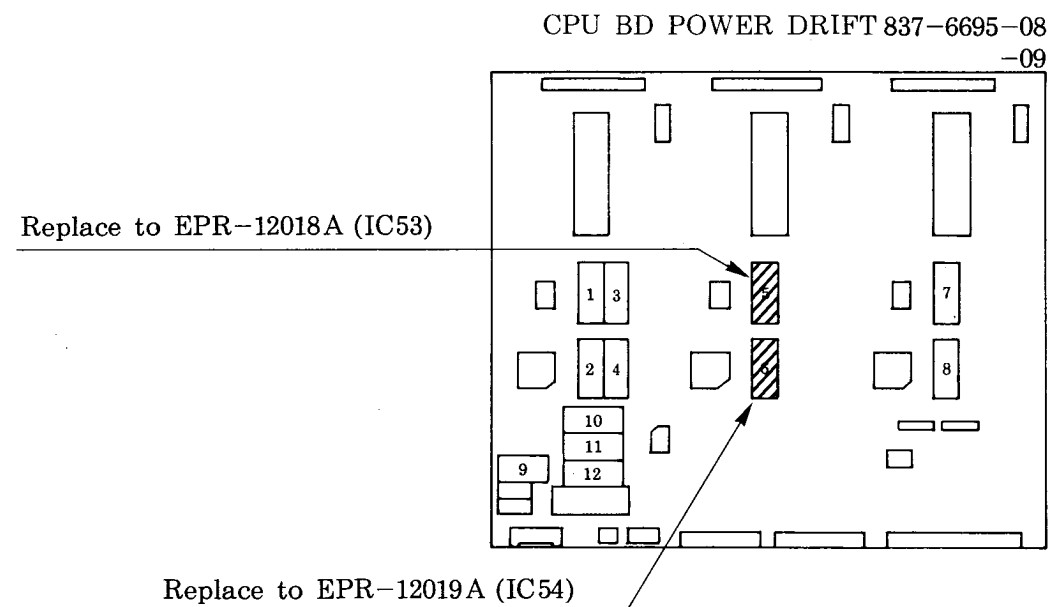
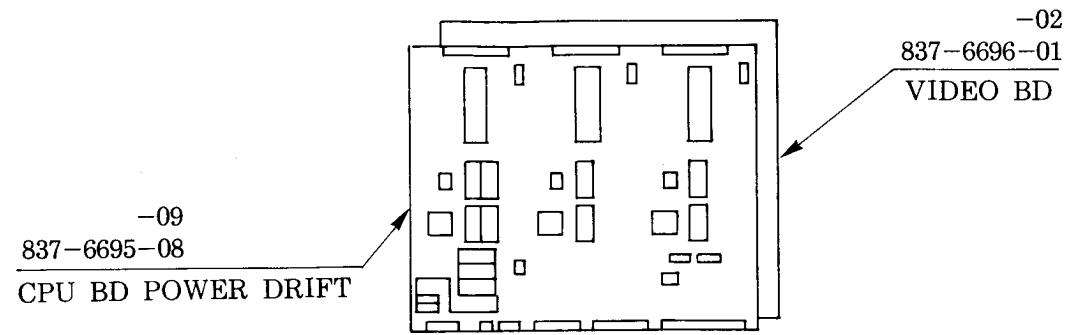
SEGA SEGA ENTERPRISES, LTD.		APR. 11	11
THIS DRAWING WILL IN NO WAY BE COPIED. TO BE RETURNED ON DEMAND.		ASSY. 1/15	2.80
VIDEO BD GALAXY FORCE		CHKD. 1/15	中国
DESCRIPTION		REV	REV
171-5115		837-6566	
PART NO.		SHEET 6 OF 8	







# EPROM/MASK ROM LOCATIONS



834-6697-09		GAME BD POWER DRIFT		
837-6695-08		CPU BD POWER DEIFT		
	IC LOCATION	NUMBER		
1	IC 24	EPR -12016	PROGRAM	
2	IC 25	EPR -12017		
3	IC 26	EPR -11747		
4	IC 27	EPR -11748		
5	IC 53	EPR -12018A		
6	IC 54	EPR -12019A		
7	IC 80	EPR -11904		
8	IC 81	EPR -11905		
9	IC 102	EPR -11899	SOUND PROGRAM	
10	IC 107	EPR -11755	SOUND DATA	
11	IC 106	EPR -11756		
12	IC 105	MPR -11754		
837-6695-01		VIDEO BD POWER DRIFT		
13	IC 16	EPR -11789	LINE OBJ	
14	IC 14	EPR -11791		
15	IC 67	MPR -11757		
16	IC 75	MPR -11758		
17	IC 86	MPR -11759		
18	IC 114	MPR -11760		
19	IC 66	MPR -11761		
20	IC 74	MPR -11762		
21	IC 85	MPR -11763		
22	IC 113	MPR -11764		
23	IC 63	MPR -11773	OBJECT	
24	IC 71	MPR -11774		
25	IC 82	MPR -11775		
26	IC 110	MPR -11776		
27	IC 62	MPR -11777		
28	IC 70	MPR -11778		
29	IC 81	MPR -11779		
30	IC 109	MPR -11780		
31	IC 17	EPR -11790		LINE OBJ
32	IC 15	EPR -11792		
33	IC 65	EPR -11765	OBJECT	
34	IC 73	EPR -11766		
35	IC 84	EPR -11767		
36	IC 112	EPR -11768		
37	IC 64	EPR -11769		
38	IC 72	EPR -11770		
39	IC 83	EPR -11771		
40	IC 111	EPR -11772		
41	IC 61	EPR -11781		OBJECT
42	IC 69	EPR -11782		
43	IC 80	EPR -11783		
44	IC 108	EPR -11784		
45	IC 60	EPR -11785		
46	IC 68	EPR -11786		
47	IC 79	EPR -11787		
48	IC 107	EPR -11788		

834-6697-10		GAME BD POWER DRIFT		
837-6695-09		CPU BD POWER DRIFT		
	IC LOCATION	NUMBER		
1	IC 24	EPR -12016	PROGRAM	
2	IC 25	EPR -12017		
3	IC 26	MPR -11747		
4	IC 27	MPR -11748		
5	IC 53	EPR -12018A		
6	IC 54	EPR -12019A		
7	IC 80	MPR -11904		
8	IC 81	MPR -11905		
9	IC 102	OPR -11899	SOUND PROGRAM	
10	IC 107	MPR -11755	SOUND DATA	
11	IC 106	MPR -11756		
12	IC 105	MPR -11754		
837-6695-02		VIDEO BD POWER DRIFT		
13	IC 16	MPR -11789	LINE OBJ	
14	IC 14	MPR -11791		
15	IC 67	MPR -11757		
16	IC 75	MPR -11758		
17	IC 86	MPR -11759		
18	IC 114	MPR -11760		
19	IC 66	MPR -11761		
20	IC 74	MPR -11762		
21	IC 85	MPR -11763		
22	IC 113	MPR -11764		
23	IC 63	MPR -11773	OBJECT	
24	IC 71	MPR -11774		
25	IC 82	MPR -11775		
26	IC 110	MPR -11776		
27	IC 62	MPR -11777		
28	IC 70	MPR -11778		
29	IC 81	MPR -11779		
30	IC 109	MPR -11780		
31	IC 17	MPR -11790		LINE OBJ
32	IC 15	MPR -11792		
33	IC 65	MPR -11765	OBJECT	
34	IC 73	MPR -11766		
35	IC 84	MPR -11767		
36	IC 112	MPR -11768		
37	IC 64	MPR -11769		
38	IC 72	MPR -11770		
39	IC 83	MPR -11771		
40	IC 111	MPR -11772		
41	IC 61	MPR -11781		OBJECT
42	IC 69	MPR -11782		
43	IC 80	MPR -11783		
44	IC 108	MPR -11784		
45	IC 60	MPR -11785		
46	IC 68	MPR -11786		
47	IC 79	MPR -11787		
48	IC 107	MPR -11788		