



Fully Licensed

INSTRUCTION MANUAL

MANUFACTURER

Magic Conversion Co.

P.O. Box 3263

820 Elmwood Avenue

Providence, RI 02907

(401) 461-9389

DISTRIBUTOR

IGMO DIAGNOSTICS

In order to aid the operator in quickly locating and correcting problems in the IGMO game board, several comprehensive diagnostic routines were provided in IGMO software. A diagnostic button provided on the harness and designed to be located inside the arcade cabinet will allow the operator to enter the diagnostic program. After depressing the diagnostic button, the diagnostic routines may be selected and executed by using the joystick and the fire button. A menu will be displayed upon entering the diagnostics and will display the following diagnostic routines:

1. CURRENT SETTINGS
2. COLOR TABLE
3. SCRATCHPAD RAM
4. VIDEO RAM
5. ROM
6. CONVERGENCE
7. BUTTONS
8. EXIT

The above eight selections are described as follows:

1. **CURRENT SETTINGS-** Upon entering this routine, the status of the dip switches will be displayed along with a description of the function of each switch. Use this routine when checking the setting or use it as an aid in readjusting the settings. Among the game functions which may be adjusted are the number of IGMO's per credit, the number of credits per coin, the difficulty level and the extra IGMO level.
2. **COLOR TABLE-** The color table function will display the different colors of both palettes of the color PROM. If bad colors are found, the color PROM, U66, should be checked and if necessary, replaced.
3. **SCRATCHPAD RAM-** This routine allows U12 to be checked for faulty static ram locations. Should an error be found, try reseating U12. If an error still persists, replace U12.
4. **VIDEO RAM-** This routine performs several checks of the dynamic ram comprising the display ram. At the end of the routine, the status of each dynamic ram is displayed. Faulty dynamic rams should be replaced with 150ns 4116's. If errors persist, the ram controllers, U37 and U58, should be suspected.

5. ROM- This selection performs a ROM checksum which should point out data and program memory errors should they exist. Faulty EPROM's will be identified after the execution of this routine. Try reseating the EPROM's before assuming an EPROM failure. If an EPROM is replaced, replace it with one of the same code number as indicated on the EPROM label.
6. CONVERGENCE- This routine displays a convergence pattern which allows the operator to align the color guns of the video game monitor.
7. BUTTONS- This routine allows the operator to locate faulty buttons. A tone will sound when a button is depressed or if a switch is shorted to ground. If no tone sounds when a button is depressed, faulty or dirty contacts should be suspected.
8. EXIT- This routine takes the operator out of diagnostics and into the regular game mode.

NOTE: Every time the game is powered-up, all necessary diagnostic routines are run to ensure the normal operation of the game. Should an error be located by the "self test" diagnostics, the error will be displayed on the screen.

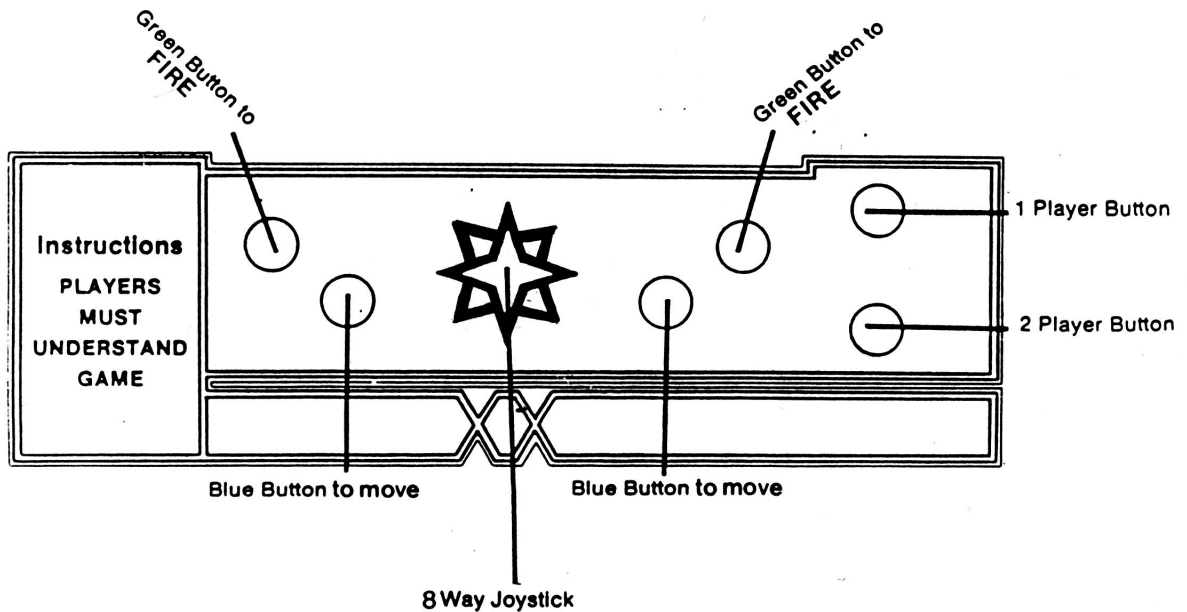
CONVERTABILITY FEATURE

IGMO has an exclusive built-in convertability feature which enables the operator to quickly change IGMO into the next available conversion game. This convertability feature relies on the addition of an "ID MODULE" which will allow the game logic board to execute the new game. Wires are provided on the IGMO harness for the future connection to the "ID MODULE". (Do not detach these extra wires) IGMO does not require an "ID MODULE" therefore one was not provided. However, when the next conversion is purchased, a new set of EPROM's and an "ID MODULE" will be sent along with the installation instructions for the new game.

Because of the "ID MODULE" feature, new top earning games may be installed simply by replacing the EPROM's and the "ID MODULE" at a substantial savings to the operator.

FRONT PANEL LAYOUT

We suggest you follow this layout as it is working very well



It is important to put buttons on either side of Joystick to appeal to left or right handed players

Edgeconnector Assignments

Pin No.	SOLDER SIDE	Pin No.	PARTS SIDE
A	GND-Black	1	GND-Black
B	GND-Black	2	GND-Black
C	Plus 5 VDC-Red	3	Plus 5 VDC-Red
D	Plus 5 VDC-Red	4	Plus 5 VDC-Red
E	TO COIN COUNTER-Yellow	5	
F	LIGHT II-Yellow	6	LIGHT I-Orange
H	ID MODULE-Green	7	ID MODULE-White/Yellow
J	ID MODULE-Gray	8	ID MODULE-Purple
K	ID MODULE-Purple	9	ID MODULE-Gray
L	ID MODULE-White/Yellow	10	ID MODULE-White/red
M	JOYSTICK UP-White/Red	11	JOYSTICK RIGHT-Gray
N	JOYSTICK DOWN-Brown	12	JOYSTICK LEFT-Blue
P		13	FIRE BUTTON-Yellow
R	MOVE BUTTON - GREEN	14	
S	1 PLAYER GAME BUTTON-White	15	COIN IN-Gray
T		16	2 PLAYER GAME BUTTON-Brown
U		17	DIAGNOSTICS BUTTON-White/Red
V	BLUE GUN-Blue	18	GREEN GUN-Green
W	Plus 5 VDC-Red	19	Plus 5 VDC-Red
X	Plus 5 VDC-Red	20	Plus 5 VDC-Red
Y	GND-Black	21	GND-Black
Z	GND-Black	22	GND-Black
a	Minus 5 VDC-Brown	23	Minus 5 VDC-Brown
b	Minus 5 VDC-Brown	24	Minus 5 VDC-Brown
c	Plus 12 VDC-Orange	25	Plus 12 VDC-Orange
d	Plus 12 VDC-Orange	26	Plus 12 VDC-Orange
e	RED GUN-Red	27	SPEAKER-Yellow
f	EXTERNAL RESET-Purple	28	COMPOSITE SYNC-White

Dip Switch Assignments

S1 ON -- 1 credit per coin
OFF - 2 credits per coin

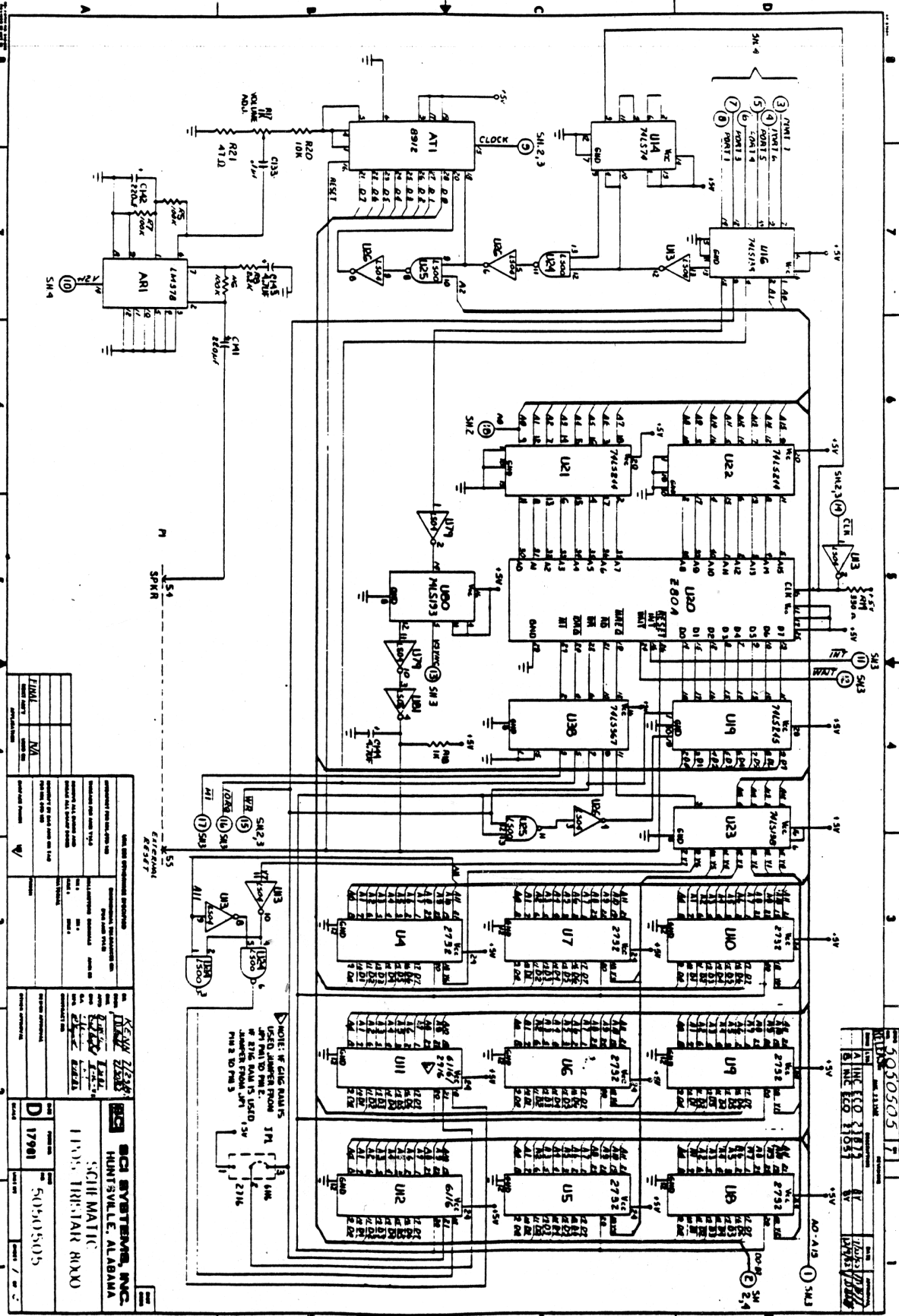
S2, S3 ON, ON - 3 IGMO's per credit
OFF, ON - 4 IGMO's per credit
ON, OFF - 5 IGMO's per credit
OFF,OFF - 6 IGMO's per credit

S4, S5 ON, ON - Extra IGMO at 20000 points
OFF, ON - Extra IGMO at 40000 points
ON, OFF - Extra IGMO at 60000 points
OFF,OFF - Extra IGMO at 80000 points

S6, S7, S8 ON, ON, ON - Difficulty level 1
OFF, ON, ON - Difficulty level 2
ON, OFF, ON - Difficulty level 3
OFF,OFF, ON - Difficulty level 4
ON, ON, OFF - Difficulty level 5
OFF, ON, OFF - Difficulty level 6
ON, OFF, OFF - Difficulty level 7
OFF,OFF, OFF - Difficulty level 8

IMPORTANT INFORMATION CONCERNING THIS HARNESS

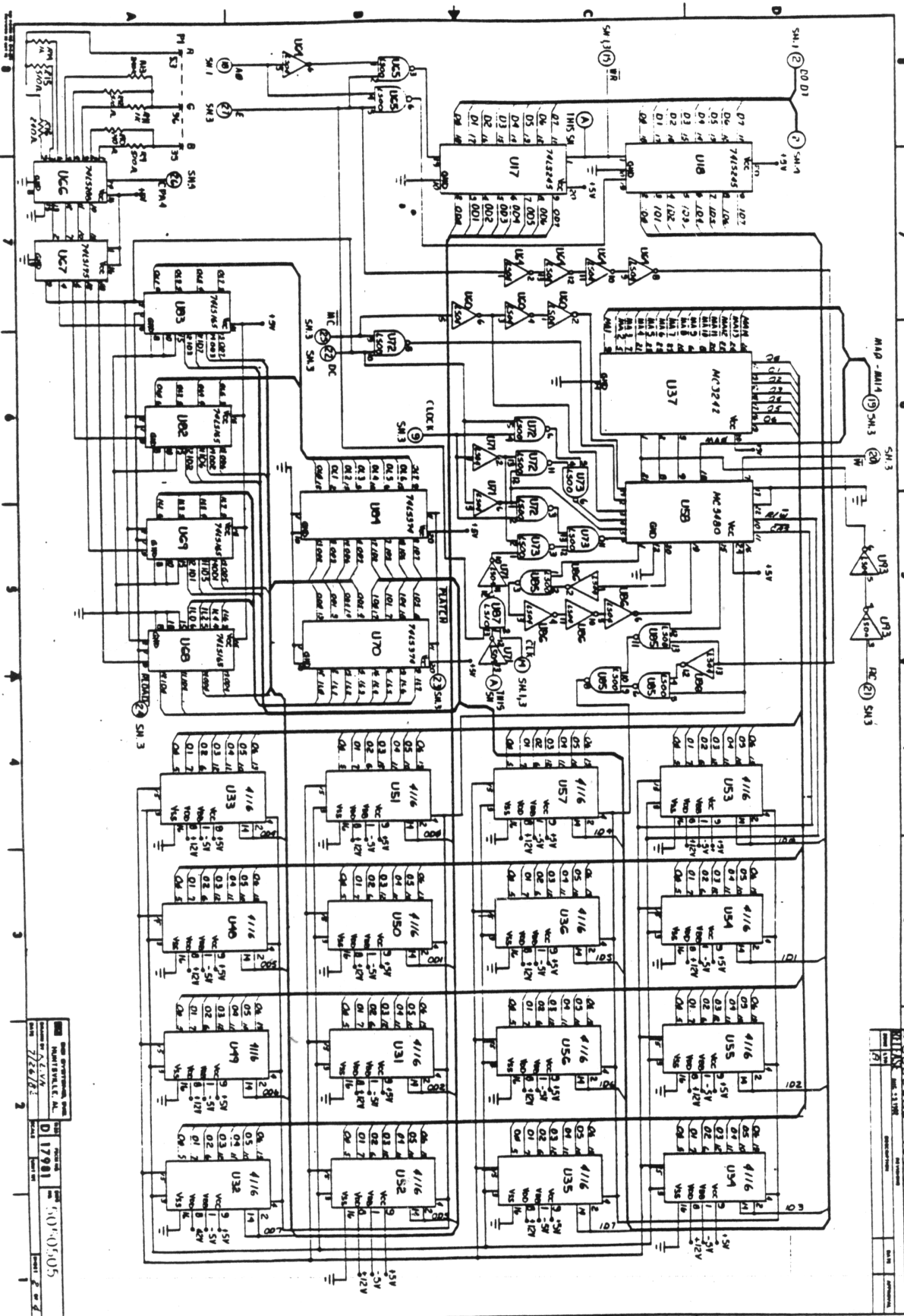
Wire groups labelled as GROUP 5 and GROUP 6 are provided for FUTURE GAME CONVERSIONS and are NOT required for operation of the IGMO game board. HOWEVER, it is strongly suggested that both groups (5 and 6) be unaltered and fastened securely to the side of the game cabinet for future use. Further information concerning game conversions can be obtained by corresponding with your distributor.



NO.	DESCRIPTION	QTY.	REMARKS
1
2
3
4
5
6
7
8
9
10

SCS SYSTEMS, INC.
HUNTSVILLE, ALABAMA
SCHEMATIC
1100 TREETOP ROAD
50504505
17981

DATE	1/17/68
DESIGNED BY	...
CHECKED BY	...
APPROVED BY	...



6050505	
REV	DATE
1	7/28/63

6050505	
REV	DATE
1	7/28/63

1
2
3
4
5
6
7
8

A
B
C
D

SM 1 (1) SM 1
SM 2 (1) SM 2
SM 3 (1) SM 3
SM 4 (1) SM 4
SM 5 (1) SM 5
SM 6 (1) SM 6
SM 7 (1) SM 7
SM 8 (1) SM 8

U17
U18
U19
U20
U21
U22
U23
U24
U25
U26
U27
U28
U29
U30
U31
U32
U33
U34
U35
U36
U37
U38
U39
U40
U41
U42
U43
U44
U45
U46
U47
U48
U49
U50
U51
U52
U53
U54
U55
U56
U57
U58
U59
U60
U61
U62
U63
U64
U65
U66
U67
U68
U69
U70
U71
U72
U73
U74
U75
U76
U77
U78
U79
U80
U81
U82
U83
U84
U85
U86
U87
U88
U89
U90

U1
U2
U3
U4
U5
U6
U7
U8
U9
U10
U11
U12
U13
U14
U15
U16

U1A
U1B
U1C
U1D
U1E
U1F
U1G
U1H
U1I
U1J
U1K
U1L
U1M
U1N
U1O
U1P
U1Q
U1R
U1S
U1T
U1U
U1V
U1W
U1X
U1Y
U1Z
U2A
U2B
U2C
U2D
U2E
U2F
U2G
U2H
U2I
U2J
U2K
U2L
U2M
U2N
U2O
U2P
U2Q
U2R
U2S
U2T
U2U
U2V
U2W
U2X
U2Y
U2Z
U3A
U3B
U3C
U3D
U3E
U3F
U3G
U3H
U3I
U3J
U3K
U3L
U3M
U3N
U3O
U3P
U3Q
U3R
U3S
U3T
U3U
U3V
U3W
U3X
U3Y
U3Z
U4A
U4B
U4C
U4D
U4E
U4F
U4G
U4H
U4I
U4J
U4K
U4L
U4M
U4N
U4O
U4P
U4Q
U4R
U4S
U4T
U4U
U4V
U4W
U4X
U4Y
U4Z
U5A
U5B
U5C
U5D
U5E
U5F
U5G
U5H
U5I
U5J
U5K
U5L
U5M
U5N
U5O
U5P
U5Q
U5R
U5S
U5T
U5U
U5V
U5W
U5X
U5Y
U5Z
U6A
U6B
U6C
U6D
U6E
U6F
U6G
U6H
U6I
U6J
U6K
U6L
U6M
U6N
U6O
U6P
U6Q
U6R
U6S
U6T
U6U
U6V
U6W
U6X
U6Y
U6Z
U7A
U7B
U7C
U7D
U7E
U7F
U7G
U7H
U7I
U7J
U7K
U7L
U7M
U7N
U7O
U7P
U7Q
U7R
U7S
U7T
U7U
U7V
U7W
U7X
U7Y
U7Z
U8A
U8B
U8C
U8D
U8E
U8F
U8G
U8H
U8I
U8J
U8K
U8L
U8M
U8N
U8O
U8P
U8Q
U8R
U8S
U8T
U8U
U8V
U8W
U8X
U8Y
U8Z
U9A
U9B
U9C
U9D
U9E
U9F
U9G
U9H
U9I
U9J
U9K
U9L
U9M
U9N
U9O
U9P
U9Q
U9R
U9S
U9T
U9U
U9V
U9W
U9X
U9Y
U9Z

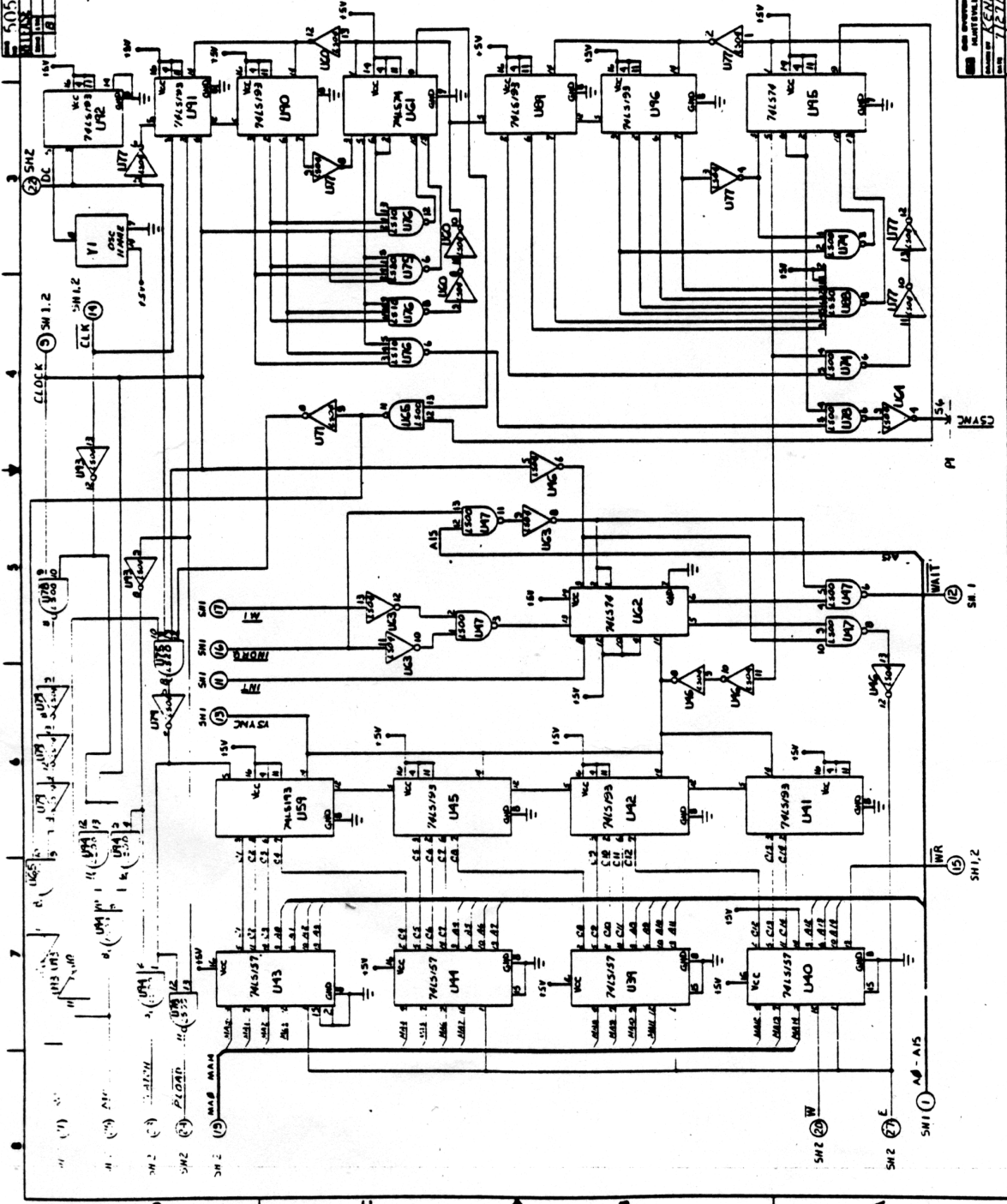
U1A
U1B
U1C
U1D
U1E
U1F
U1G
U1H
U1I
U1J
U1K
U1L
U1M
U1N
U1O
U1P
U1Q
U1R
U1S
U1T
U1U
U1V
U1W
U1X
U1Y
U1Z
U2A
U2B
U2C
U2D
U2E
U2F
U2G
U2H
U2I
U2J
U2K
U2L
U2M
U2N
U2O
U2P
U2Q
U2R
U2S
U2T
U2U
U2V
U2W
U2X
U2Y
U2Z
U3A
U3B
U3C
U3D
U3E
U3F
U3G
U3H
U3I
U3J
U3K
U3L
U3M
U3N
U3O
U3P
U3Q
U3R
U3S
U3T
U3U
U3V
U3W
U3X
U3Y
U3Z
U4A
U4B
U4C
U4D
U4E
U4F
U4G
U4H
U4I
U4J
U4K
U4L
U4M
U4N
U4O
U4P
U4Q
U4R
U4S
U4T
U4U
U4V
U4W
U4X
U4Y
U4Z
U5A
U5B
U5C
U5D
U5E
U5F
U5G
U5H
U5I
U5J
U5K
U5L
U5M
U5N
U5O
U5P
U5Q
U5R
U5S
U5T
U5U
U5V
U5W
U5X
U5Y
U5Z
U6A
U6B
U6C
U6D
U6E
U6F
U6G
U6H
U6I
U6J
U6K
U6L
U6M
U6N
U6O
U6P
U6Q
U6R
U6S
U6T
U6U
U6V
U6W
U6X
U6Y
U6Z
U7A
U7B
U7C
U7D
U7E
U7F
U7G
U7H
U7I
U7J
U7K
U7L
U7M
U7N
U7O
U7P
U7Q
U7R
U7S
U7T
U7U
U7V
U7W
U7X
U7Y
U7Z
U8A
U8B
U8C
U8D
U8E
U8F
U8G
U8H
U8I
U8J
U8K
U8L
U8M
U8N
U8O
U8P
U8Q
U8R
U8S
U8T
U8U
U8V
U8W
U8X
U8Y
U8Z
U9A
U9B
U9C
U9D
U9E
U9F
U9G
U9H
U9I
U9J
U9K
U9L
U9M
U9N
U9O
U9P
U9Q
U9R
U9S
U9T
U9U
U9V
U9W
U9X
U9Y
U9Z

U1
U2
U3
U4
U5
U6
U7
U8
U9
U10
U11
U12
U13
U14
U15
U16

U1A
U1B
U1C
U1D
U1E
U1F
U1G
U1H
U1I
U1J
U1K
U1L
U1M
U1N
U1O
U1P
U1Q
U1R
U1S
U1T
U1U
U1V
U1W
U1X
U1Y
U1Z
U2A
U2B
U2C
U2D
U2E
U2F
U2G
U2H
U2I
U2J
U2K
U2L
U2M
U2N
U2O
U2P
U2Q
U2R
U2S
U2T
U2U
U2V
U2W
U2X
U2Y
U2Z
U3A
U3B
U3C
U3D
U3E
U3F
U3G
U3H
U3I
U3J
U3K
U3L
U3M
U3N
U3O
U3P
U3Q
U3R
U3S
U3T
U3U
U3V
U3W
U3X
U3Y
U3Z
U4A
U4B
U4C
U4D
U4E
U4F
U4G
U4H
U4I
U4J
U4K
U4L
U4M
U4N
U4O
U4P
U4Q
U4R
U4S
U4T
U4U
U4V
U4W
U4X
U4Y
U4Z
U5A
U5B
U5C
U5D
U5E
U5F
U5G
U5H
U5I
U5J
U5K
U5L
U5M
U5N
U5O
U5P
U5Q
U5R
U5S
U5T
U5U
U5V
U5W
U5X
U5Y
U5Z
U6A
U6B
U6C
U6D
U6E
U6F
U6G
U6H
U6I
U6J
U6K
U6L
U6M
U6N
U6O
U6P
U6Q
U6R
U6S
U6T
U6U
U6V
U6W
U6X
U6Y
U6Z
U7A
U7B
U7C
U7D
U7E
U7F
U7G
U7H
U7I
U7J
U7K
U7L
U7M
U7N
U7O
U7P
U7Q
U7R
U7S
U7T
U7U
U7V
U7W
U7X
U7Y
U7Z
U8A
U8B
U8C
U8D
U8E
U8F
U8G
U8H
U8I
U8J
U8K
U8L
U8M
U8N
U8O
U8P
U8Q
U8R
U8S
U8T
U8U
U8V
U8W
U8X
U8Y
U8Z
U9A
U9B
U9C
U9D
U9E
U9F
U9G
U9H
U9I
U9J
U9K
U9L
U9M
U9N
U9O
U9P
U9Q
U9R
U9S
U9T
U9U
U9V
U9W
U9X
U9Y
U9Z

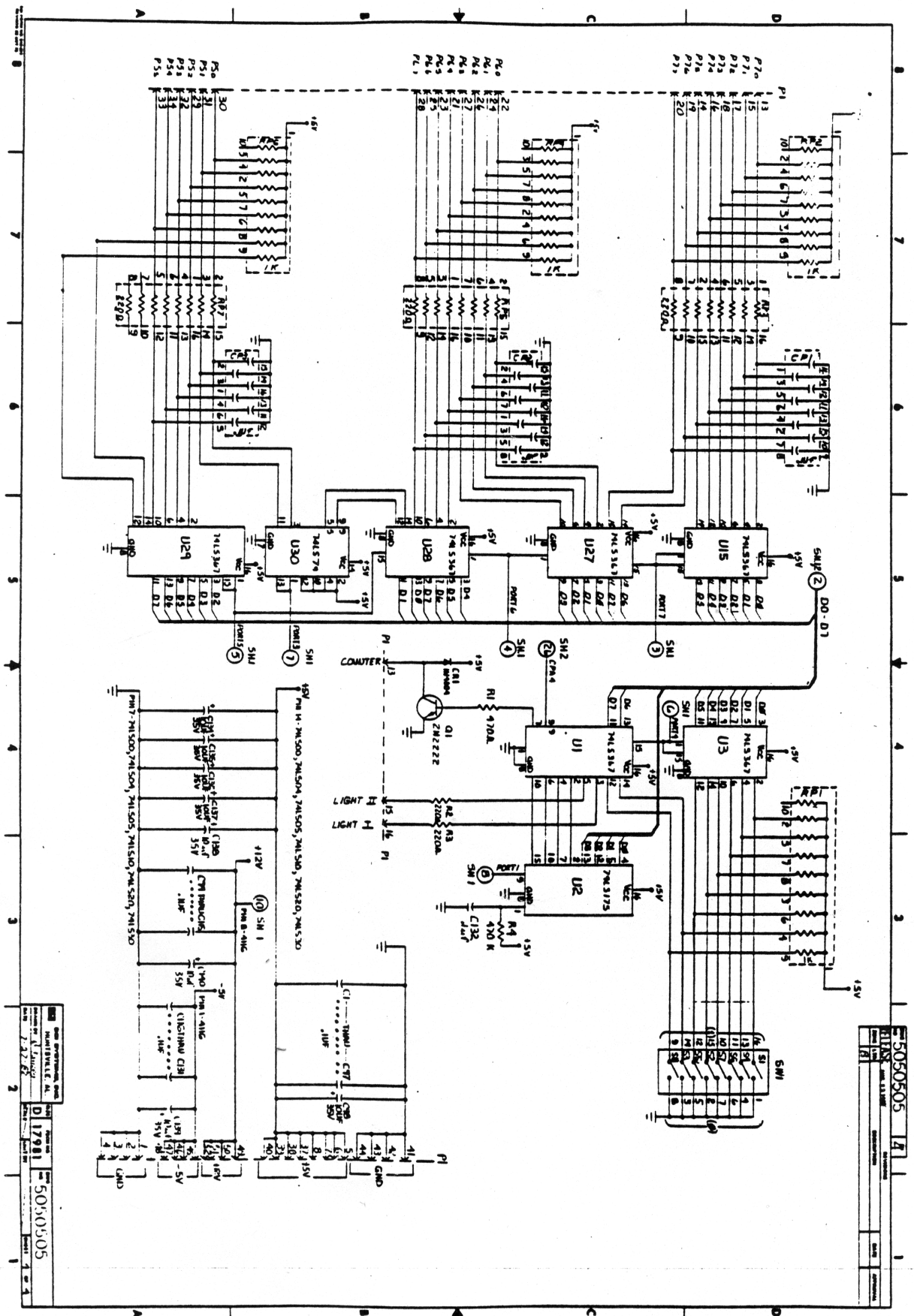
5050505
REV 11-82

5050505
REV 11-82
D 17981
7/27/82



SH1 1
SH2 2
SH3 3
SH4 4
SH5 5
SH6 6
SH7 7
SH8 8
SH9 9
SH10 10
SH11 11
SH12 12
SH13 13
SH14 14
SH15 15
SH16 16
SH17 17
SH18 18
SH19 19
SH20 20
SH21 21
SH22 22
SH23 23
SH24 24
SH25 25
SH26 26
SH27 27
SH28 28
SH29 29
SH30 30
SH31 31
SH32 32
SH33 33
SH34 34
SH35 35
SH36 36
SH37 37
SH38 38
SH39 39
SH40 40
SH41 41
SH42 42
SH43 43
SH44 44
SH45 45
SH46 46
SH47 47
SH48 48
SH49 49
SH50 50
SH51 51
SH52 52
SH53 53
SH54 54
SH55 55
SH56 56
SH57 57
SH58 58
SH59 59
SH60 60
SH61 61
SH62 62
SH63 63
SH64 64
SH65 65
SH66 66
SH67 67
SH68 68
SH69 69
SH70 70
SH71 71
SH72 72
SH73 73
SH74 74
SH75 75
SH76 76
SH77 77
SH78 78
SH79 79
SH80 80
SH81 81
SH82 82
SH83 83
SH84 84
SH85 85
SH86 86
SH87 87
SH88 88
SH89 89
SH90 90
SH91 91
SH92 92
SH93 93
SH94 94
SH95 95
SH96 96
SH97 97
SH98 98
SH99 99
SH100 100

SH1 1
SH2 2
SH3 3
SH4 4
SH5 5
SH6 6
SH7 7
SH8 8
SH9 9
SH10 10
SH11 11
SH12 12
SH13 13
SH14 14
SH15 15
SH16 16
SH17 17
SH18 18
SH19 19
SH20 20
SH21 21
SH22 22
SH23 23
SH24 24
SH25 25
SH26 26
SH27 27
SH28 28
SH29 29
SH30 30
SH31 31
SH32 32
SH33 33
SH34 34
SH35 35
SH36 36
SH37 37
SH38 38
SH39 39
SH40 40
SH41 41
SH42 42
SH43 43
SH44 44
SH45 45
SH46 46
SH47 47
SH48 48
SH49 49
SH50 50
SH51 51
SH52 52
SH53 53
SH54 54
SH55 55
SH56 56
SH57 57
SH58 58
SH59 59
SH60 60
SH61 61
SH62 62
SH63 63
SH64 64
SH65 65
SH66 66
SH67 67
SH68 68
SH69 69
SH70 70
SH71 71
SH72 72
SH73 73
SH74 74
SH75 75
SH76 76
SH77 77
SH78 78
SH79 79
SH80 80
SH81 81
SH82 82
SH83 83
SH84 84
SH85 85
SH86 86
SH87 87
SH88 88
SH89 89
SH90 90
SH91 91
SH92 92
SH93 93
SH94 94
SH95 95
SH96 96
SH97 97
SH98 98
SH99 99
SH100 100



5050505		REV. 1.0	DATE	DESIGNED BY
5050505		REV. 1.0	DATE	DESIGNED BY

5050505
 REV. 1.0
 DATE
 DESIGNED BY

DR. 8-29-82
 DEGR. 1.0
 CHK. 1.0
 APD. 1.0
 ENG. 1.0
 D.A. 1.0
 MFG. 1.0
 7-29-82
 8-11-82
 8-28-82
 1-11-82
 8-28-82

SCI SYSTEMS, INC.
 HUNTSVILLE, ALABAMA
PARTS LIST
PRINTED WIRING ASSY
EPOS TRISTAR 8000

FROM NO. 17981
 CONTRACT NO.
 RELEASE DATE AUG 23 1982
PL 5050507
 SHIRT 1 OF 2

ITEM NO.	QTY	REQD	QTY	REQD	SCI CONTROL NO.	DESCRIPTION/DESCRIPTION	FROM NO.	CONTRACT NO.	PART IDENTIFICATION NO.	DOC/REC NO.
1	1		1			PRINTED WIRING BOARD				
2	1		1			RESISTOR				
3	1		1			RESISTOR				
4	1		1			RESISTOR				
5	1		1			RESISTOR				
6	1		1			RESISTOR				
7	1		1			RESISTOR				
8	1		1			RESISTOR				
9	1		1			RESISTOR				
10	1		1			RESISTOR				
11	1		1			RESISTOR				
12	1		1			RESISTOR				
13	1		1			RESISTOR				
14	1		1			RESISTOR				
15	1		1			RESISTOR				
16	1		1			RESISTOR				
17	1		1			RESISTOR				
18	1		1			RESISTOR				
19	1		1			RESISTOR				
20	1		1			RESISTOR				
21	1		1			RESISTOR				
22	1		1			RESISTOR				
23	1		1			RESISTOR				
24	1		1			RESISTOR				
25	1		1			RESISTOR				
26	1		1			RESISTOR				
27	1		1			RESISTOR				
28	1		1			RESISTOR				
29	1		1			RESISTOR				
30	1		1			RESISTOR				
31	1		1			RESISTOR				
32	1		1			RESISTOR				
33	1		1			RESISTOR				
34	1		1			RESISTOR				
35	1		1			RESISTOR				
36	1		1			RESISTOR				

RELEASE

PL 5050507

PARTS LIST
CONTINUATION SHEET

BCI BCI SYSTEMS, INC.
HUNTSVILLE, ALABAMA

FROM NO.
17981

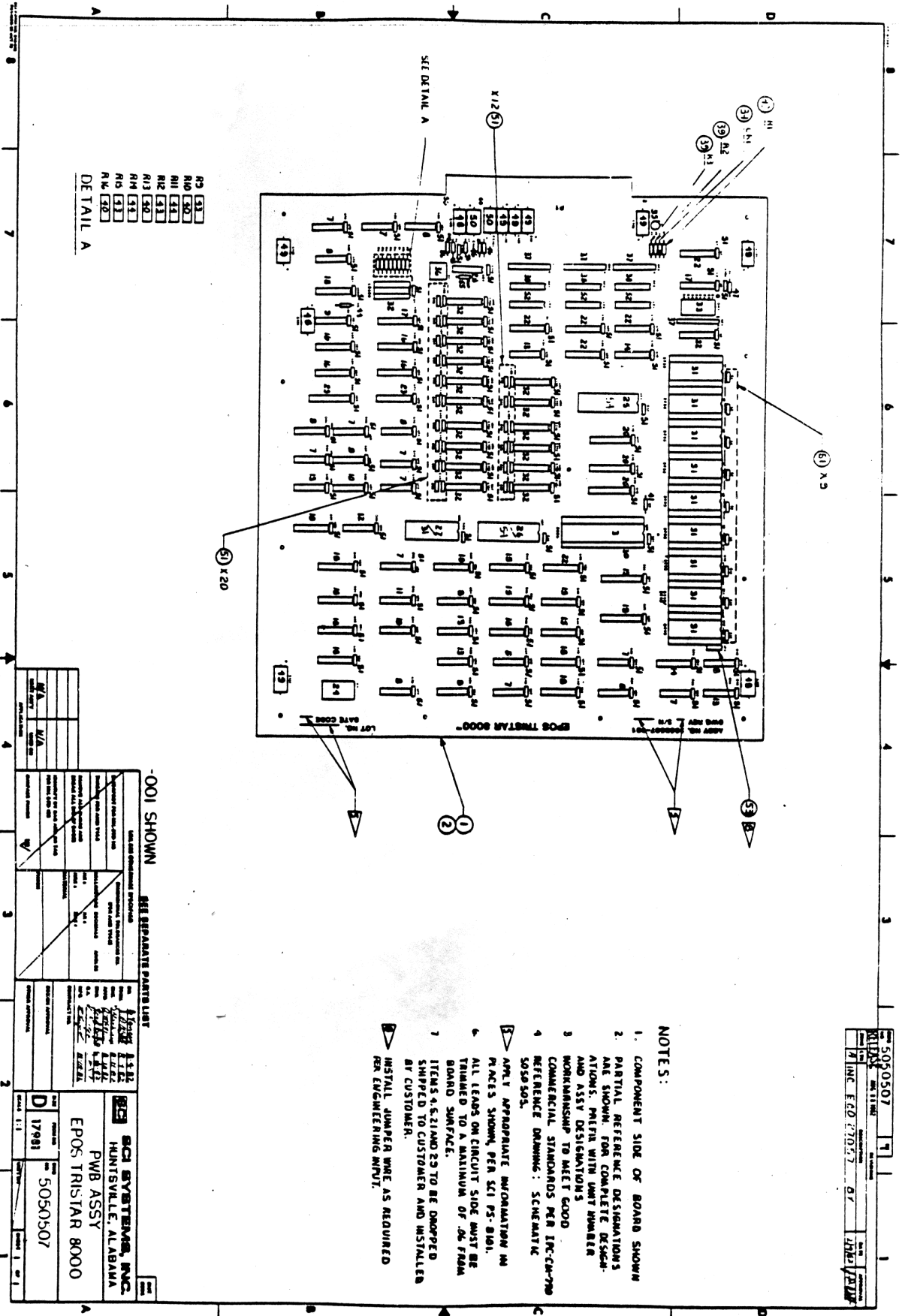
RELEASE DATE
AUG 23 1982

PL 5050507

SHEET
2
OF
2

RELEASE

ITEM NO.	QTY RECD	QTY RECD	QTY RECD	QTY RECD	SCI CONTROL NO.	DESCRIPTION/NOMENCLATURE	FROM NO.	PART IDENTIFICATION NO.	DOC/REC NO.	
										APPRV
317					934	STOR	802	411	0811-1282	802
318					934	STOR	802	411	0811-1282	802
319					934	STOR	802	411	0811-1282	802
320					934	STOR	802	411	0811-1282	802
411					934	STOR	802	411	0811-1282	802
412					934	STOR	802	411	0811-1282	802
413					934	STOR	802	411	0811-1282	802
414					934	STOR	802	411	0811-1282	802
415					934	STOR	802	411	0811-1282	802
416					934	STOR	802	411	0811-1282	802
417					934	STOR	802	411	0811-1282	802
418					934	STOR	802	411	0811-1282	802
419					934	STOR	802	411	0811-1282	802
420					934	STOR	802	411	0811-1282	802
511					934	STOR	802	411	0811-1282	802
512					934	STOR	802	411	0811-1282	802
513					934	STOR	802	411	0811-1282	802
514					934	STOR	802	411	0811-1282	802
515					934	STOR	802	411	0811-1282	802
516					934	STOR	802	411	0811-1282	802
517					934	STOR	802	411	0811-1282	802
518					934	STOR	802	411	0811-1282	802
519					934	STOR	802	411	0811-1282	802
520					934	STOR	802	411	0811-1282	802
521					934	STOR	802	411	0811-1282	802
522					934	STOR	802	411	0811-1282	802
523					934	STOR	802	411	0811-1282	802
524					934	STOR	802	411	0811-1282	802
525					934	STOR	802	411	0811-1282	802
526					934	STOR	802	411	0811-1282	802
527					934	STOR	802	411	0811-1282	802
528					934	STOR	802	411	0811-1282	802
529					934	STOR	802	411	0811-1282	802
530					934	STOR	802	411	0811-1282	802
531					934	STOR	802	411	0811-1282	802
532					934	STOR	802	411	0811-1282	802
533					934	STOR	802	411	0811-1282	802
534					934	STOR	802	411	0811-1282	802
535					934	STOR	802	411	0811-1282	802
536					934	STOR	802	411	0811-1282	802
537					934	STOR	802	411	0811-1282	802
538					934	STOR	802	411	0811-1282	802
539					934	STOR	802	411	0811-1282	802
540					934	STOR	802	411	0811-1282	802
541					934	STOR	802	411	0811-1282	802
542					934	STOR	802	411	0811-1282	802
543					934	STOR	802	411	0811-1282	802
544					934	STOR	802	411	0811-1282	802
545					934	STOR	802	411	0811-1282	802
546					934	STOR	802	411	0811-1282	802
547					934	STOR	802	411	0811-1282	802
548					934	STOR	802	411	0811-1282	802
549					934	STOR	802	411	0811-1282	802
550					934	STOR	802	411	0811-1282	802



- R9 31
 R10 30
 R11 43
 R12 43
 R13 30
 R14 43
 R15 43
 R16 30
 DETAIL A

001 SHOWN **SEE SEPARATE PARTS LIST**

MANUFACTURER PART NUMBER QUANTITY UNIT PRICE TOTAL PRICE	PART NUMBER QUANTITY UNIT PRICE TOTAL PRICE	PART NUMBER QUANTITY UNIT PRICE TOTAL PRICE	PART NUMBER QUANTITY UNIT PRICE TOTAL PRICE

SCI SYSTEMS, INC.
 HUNTSVILLE, ALABAMA
 PWB ASSY
 EPOS TRISTAR 8000
 5050307
 17981

- NOTES:**
1. COMPONENT SIDE OF BOARD SHOWN
 2. PARTIAL REFERENCE DESIGNATIONS ARE SHOWN. FOR COMPLETE DESIGNATIONS, REFER TO PART NUMBER AND ASSY DESIGNATION.
 3. WORKMANSHIP TO MEET GOOD COMMERCIAL STANDARDS PER IPC-CM-709.
 4. REFERENCE DRAWING: SCHEMATIC 5050305.
 5. APPLY APPROPRIATE INFORMATION IN PAGES SHOWN, PER SCI PS-8101.
 6. ALL LEADS ON CIRCUIT SIDE MUST BE TRIMMED TO A MAXIMUM OF .06 FROM BOARD SURFACE.
 7. ITEMS 4, 5, 21 AND 23 TO BE DROPPED SHIPPED TO CUSTOMER AND INSTALLED BY CUSTOMER.
- ▽ INSTALL JUMPER WIRE AS REQUIRED PER ENGINEERING INTJ.

5050307
 17981
 INC EQ 27027
 67
 JND
 17981