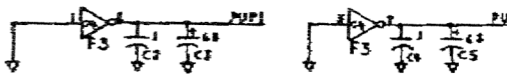
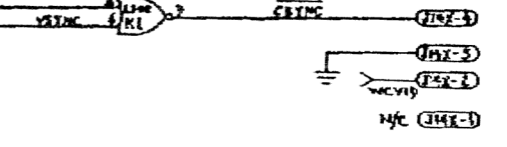
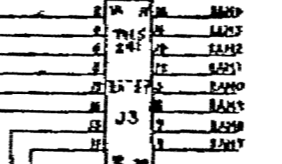
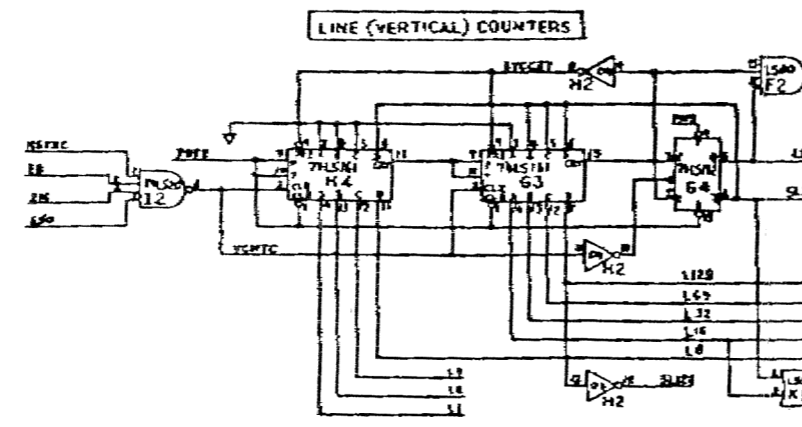
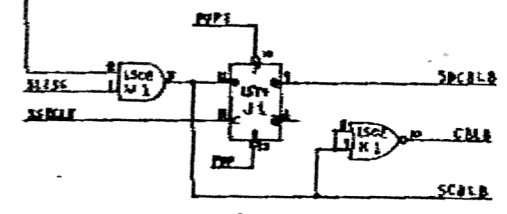
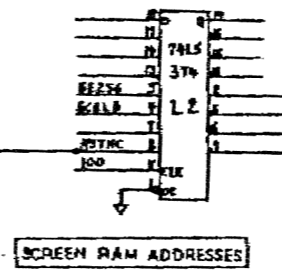
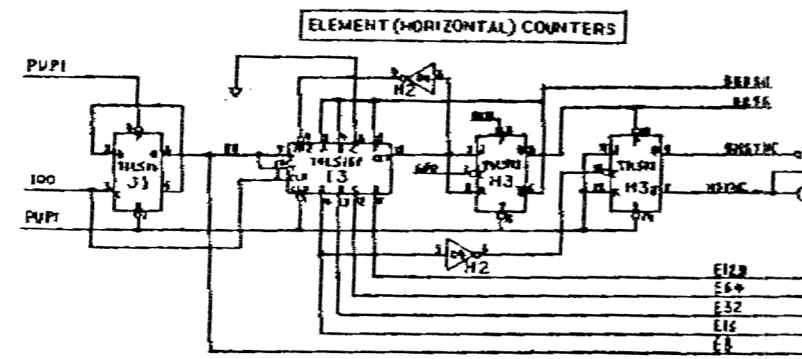
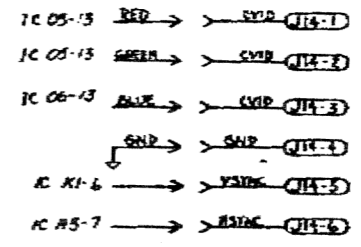
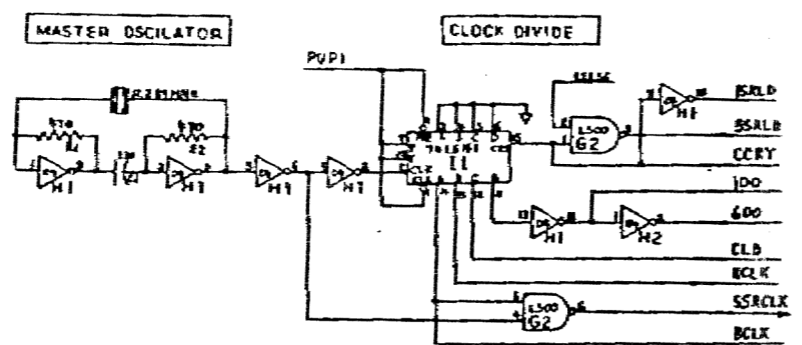


JAN 25-69 MED 11:28 IMAGINATION LE

REVISIONS				
NO.	BY	DESCRIPTION	DATE	APPROVED
A		2ND RELEASE		

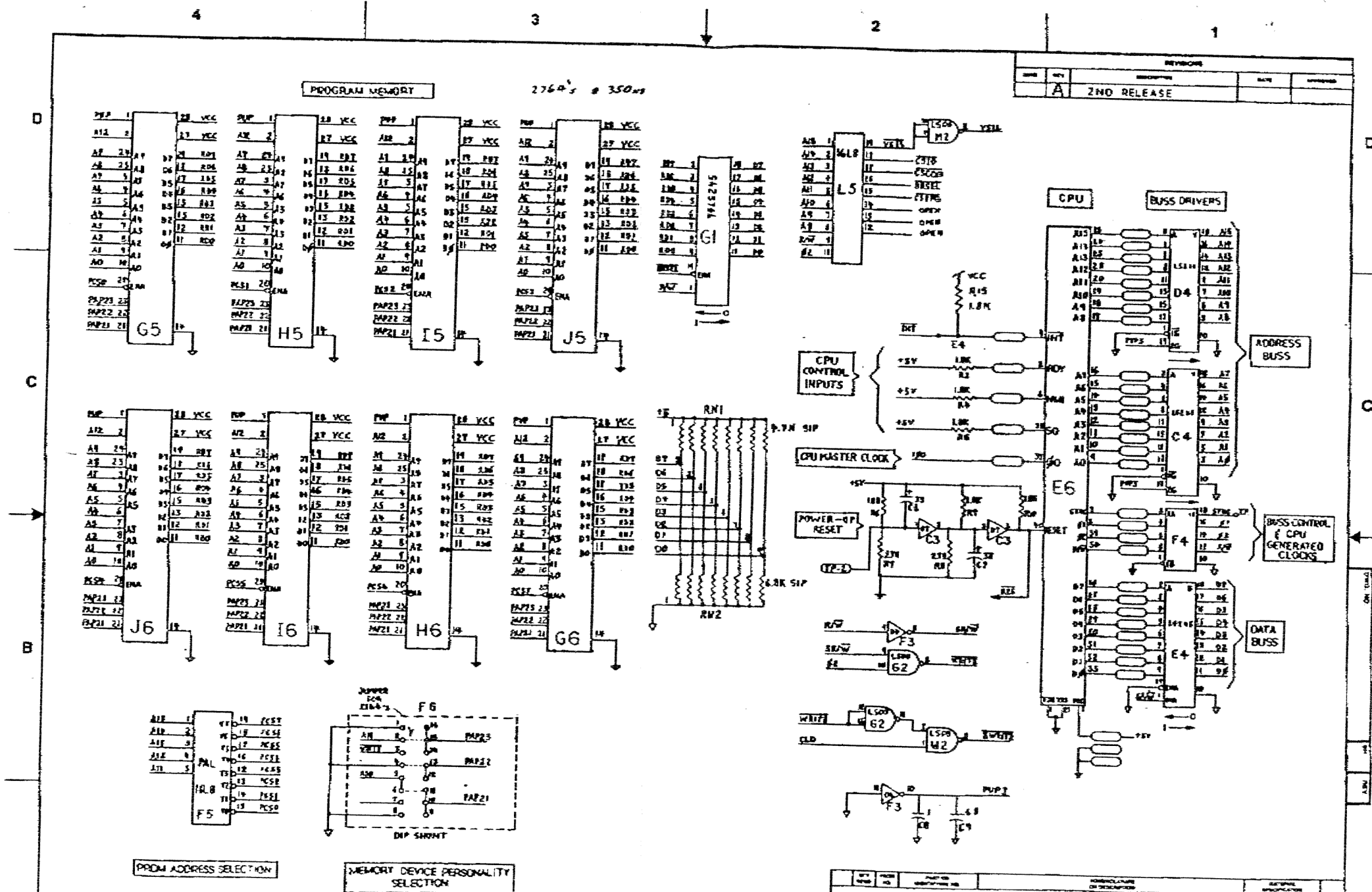
D
C
B
A



PART NO.		PART OR IDENTIFYING NO.		QUANTITY		REVISIONS	
PARTS LIST							
SUPER BOWL-MAIN LOGIC							
SYNC CHAIN, VIDEO TIMING							
REV	BY	DATE	QTY	UNIT	DESCRIPTION	REVISION	DATE
C		1/17/69					
DRAWING NO.		SHEET NO.		DATE		REV	
83251-201		C		1/17/69		A	
SCALE		SHEET		OF		PAGE	
		1		OF		5	

APPROVED	DATE
DESIGNED BY	DATE
CHECKED BY	DATE
APPROVED	DATE

DO NOT SCALE DRAWING



REV	DESCRIPTION	DATE	APPROVED
A	2ND RELEASE		

PROGRAM MEMORY 2764s @ 350ns

CPU BUS DRIVERS

PROM ADDRESS SELECTION

MEMORY DEVICE PERSONALITY SELECTION

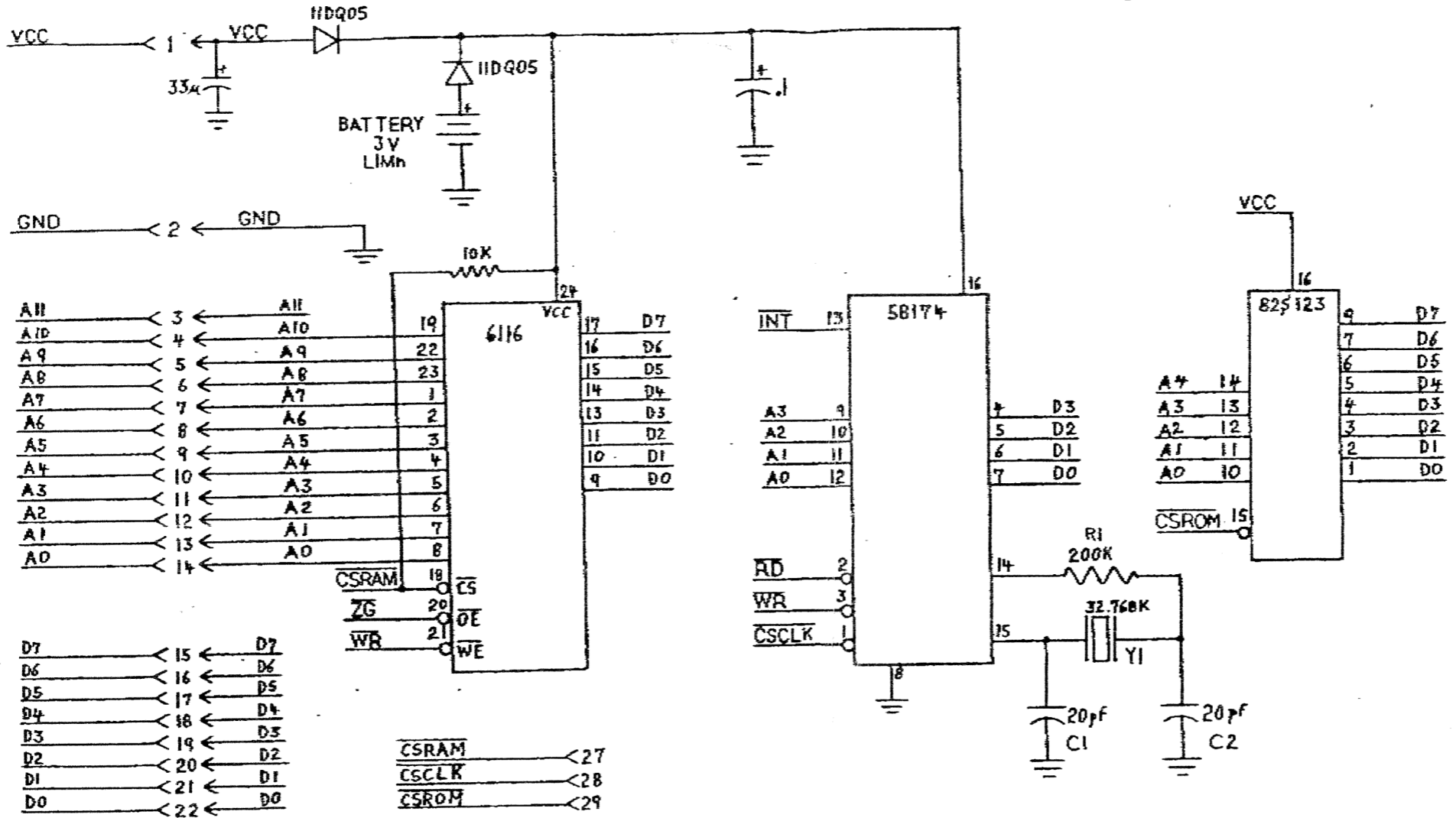
SUPER BOWL-MAIN LOGIC

PROGRAM MEMORY, CPU

REV	DESCRIPTION	DATE	APPROVED

REV	DESCRIPTION	DATE	APPROVED

TRAINING MEDIA UNIT IMAGINATION LEISURE INC. P



A11	<	3	<	A11	19
A10	<	4	<	A10	22
A9	<	5	<	A9	23
A8	<	6	<	A8	1
A7	<	7	<	A7	2
A6	<	8	<	A6	3
A5	<	9	<	A5	4
A4	<	10	<	A4	5
A3	<	11	<	A3	6
A2	<	12	<	A2	7
A1	<	13	<	A1	8
A0	<	14	<	A0	9

D7	<	15	<	D7	17
D6	<	16	<	D6	16
D5	<	17	<	D5	15
D4	<	18	<	D4	14
D3	<	19	<	D3	13
D2	<	20	<	D2	11
D1	<	21	<	D1	10
D0	<	22	<	D0	9

WR	<	23	<	WR	19
RD	<	24	<	RD	20
RDY	<	25	<	RDY	21
INT	<	26	<	INT	22

JUMPER

CSRAM	<	27
CSCLK	<	28
CSROM	<	29

UNLESS OTHERWISE SPECIFIED DIMENSIONS ARE IN INCHES TOLERANCES ARE: FRACTIONS DECIMALS ANGLES ± .005 ± .005 ±		CONTRACT NO.		SUPER BOWL-MAIN LOGIC	
MATERIAL		APPROVALS	DATE		
FINISH		DRAWN <i>Jose Bolanos</i>	2-28-84	R.T. CLOCK-BATTERY BACK UP RAM BOARD	
NEXT ASST		CHECKED <i>KA</i>		SIZE B	CODE IDENT NO
USED ON		DO NOT SCALE DRAWING		DRAWING NO. 83251-201	
APPLICATION		SCALE		SHEET 5 OF 5 B	