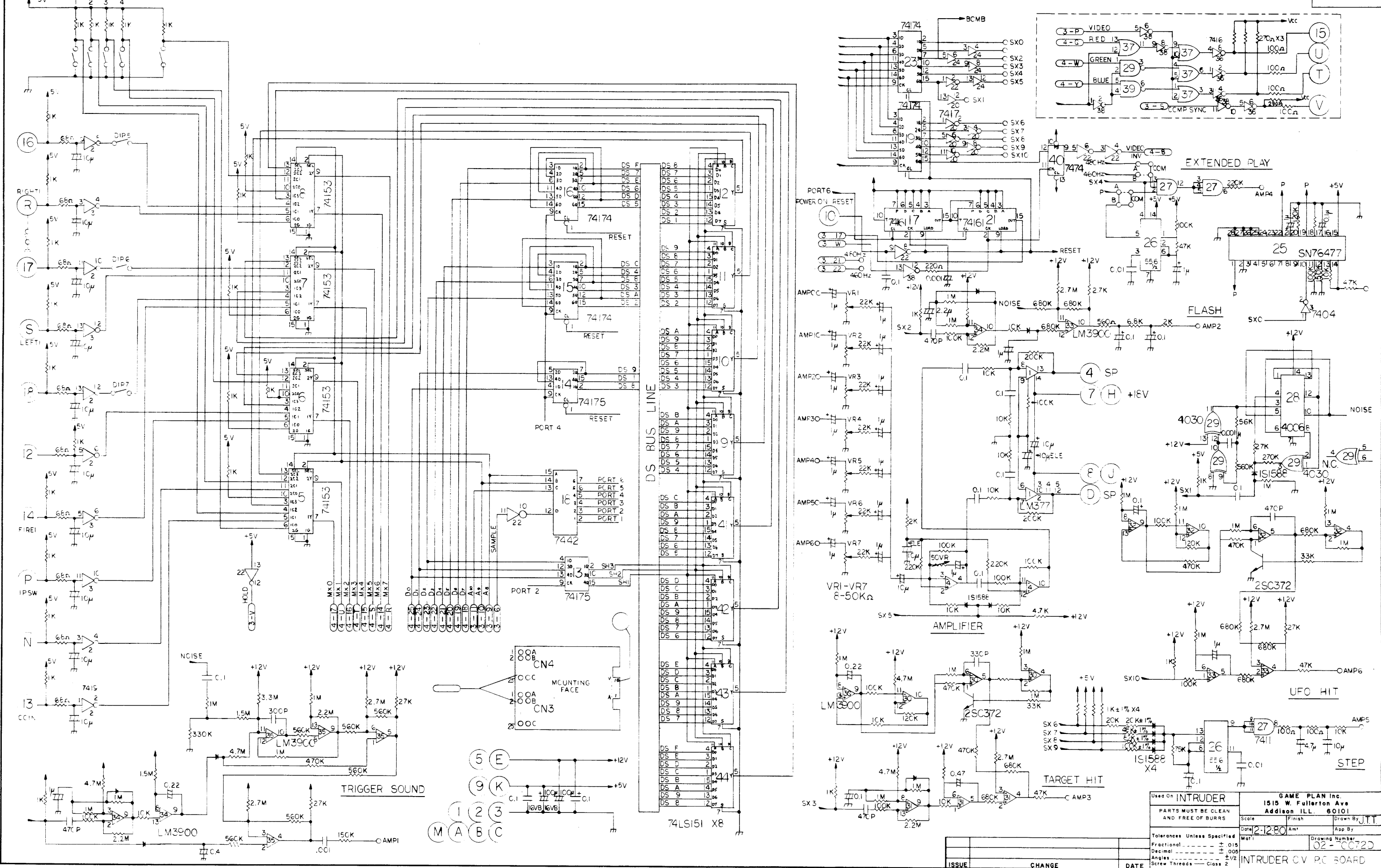


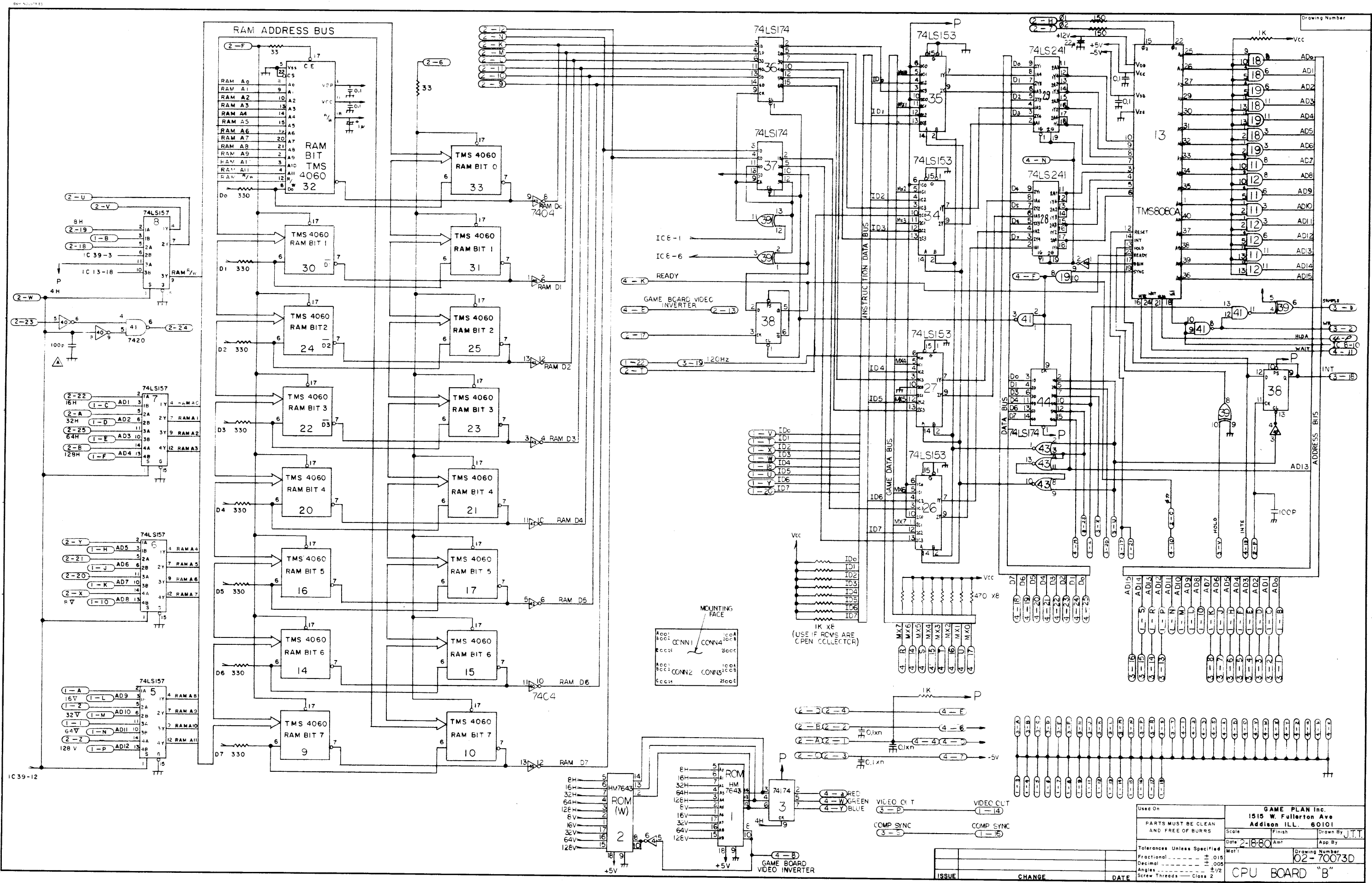
Used On	INTERIOR	GAME PLAN Inc. 1515 W. Fullerton Ave Addison ILL. 60101		
PARTS MUST BE CLEAN AND FREE OF BURRS	Scale	Finish	Drawn By	
	Date	Amt	App. By	
Tolerances Unless Specified	Mat'l			
Fractional	Drawing Number			
Decimal	CABINET WIRING			
Angles				
Screw Threads	Class 2			

ISSUE	CHANGE	DATE



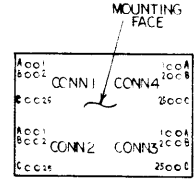
Use on INTRUDER		GAME PLAN Inc. 1515 W. Fullerton Ave Addison, ILL. 60101	
PARTS MUST BE CLEAN AND FREE OF BURRS	Scale	Finish	Drawn By J.T.T.
Tolerances Unless Specified	Date 2-12-80	Am	App By
Fractional ----- ± .015	Mot		Drawing Number 02-00720
Decimal ----- ± .005	Date		INTRUDER C.V. P.C. BOARD
Angles ----- ± 1/2	Screw Threads ----- Class 2		

ISSUE	CHANGE	DATE



Drawing Number

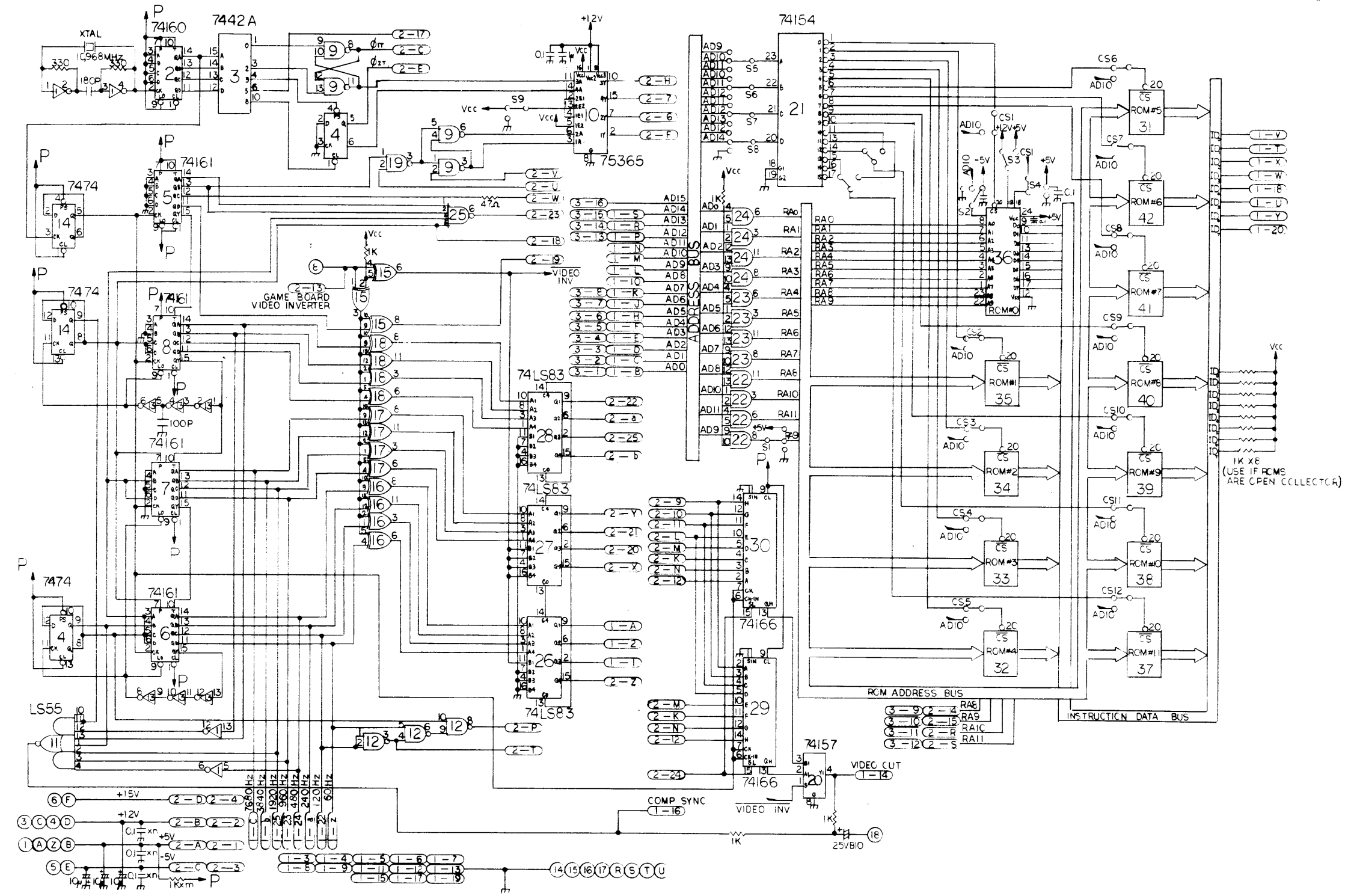
IC 39-12



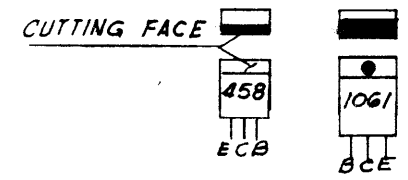
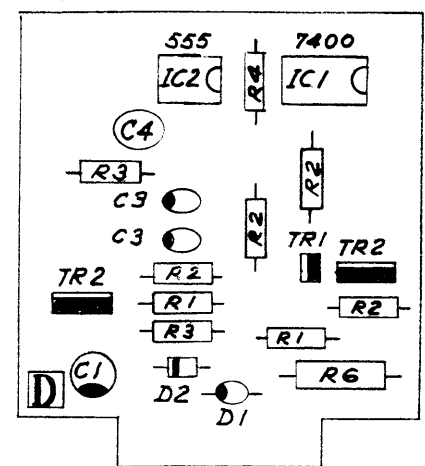
IK X8 (USE IF RCMS ARE OPEN COLLECTOR)

Used On			
PARTS MUST BE CLEAN AND FREE OF BURRS			
Scale	Finish	Drawn By	J.T.T.
Date	2-18-80	App By	
Tolerances Unless Specified	Motif		
Fractional	± .015		
Decimal	± .005		
Angles	± 1/2		
Screw Threads	Class 2		
ISSUE		CHANGE	DATE

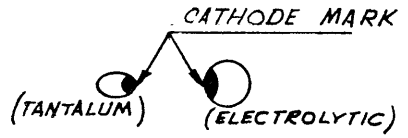
GAME PLAN Inc.
 1515 W. Fullerton Ave
 Addison ILL. 60101
 102-70073D
 CPU BOARD "B"



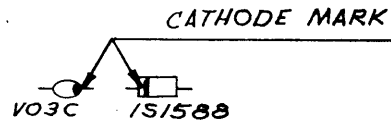
Used On	INTRUDER		
PARTS MUST BE CLEAN AND FREE OF BURRS	GAME PLAN Inc. 1515 W. Fullerton Ave Addison ILL. 60101		
Tolerances Unless Specified	Scale	Finish	Drawn By JTT
Fractional ± 0.15	Date 2-16-80	App'd	App By
Decimal ± 0.05	Mat'l	Drawing Number 02-70074D	
Angles ± 1/2	Screw Threads — Class 2		
ISSUE	CHANGE	DATE	C.P.U. BOARD "A"



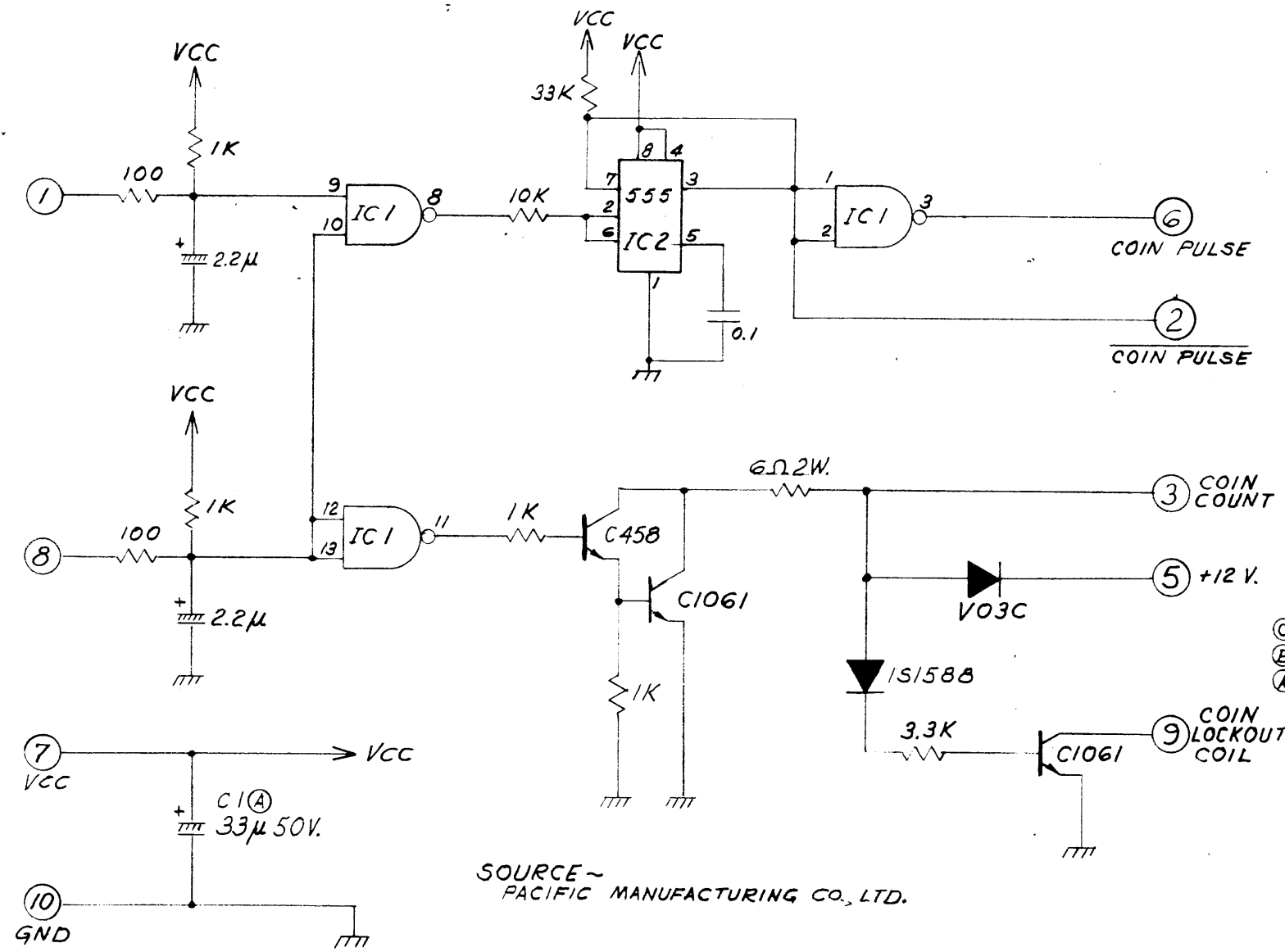
NOTE 1.-TRANSISTOR



NOTE 2: CAPACITOR



NOTE 3. DIODE



SOURCE - PACIFIC MANUFACTURING CO., LTD.

19				
18	1	R6	AAT 55033	RES. WINDING 6Ω 2W. ±10%
17	1	R5	51801	" CARBON 33KΩ 1/4W. ± 5%
16	1	R4	51789	" " 10KΩ " "
15	1	R3	51777	" " 3.3KΩ " "
14	4	R2	51765	" " 1KΩ " "
13	2	R1	51741	RES. CARBON 100Ω 1/4W. ± 5%
12	1	C4	41244	CAP. FILM TDY-1H-104 50V.
11	2	C3	41437	" ELYTIC 50V.-2.2μ.
10	1	C2	41436	" TANTALUM SSG3S-1F
9	1	C1		CAP. ELECTROLYTIC 50VB33
8	1	IC2	32019	TTL IC NE555V
7	1	IC1	32001	TTL IC 7400
6	1	D2	12025	DIODE 1S1588
5	1	D1	12002	DIODE V03C
4	2	TR2	11030	TRANSISTOR 2SC1061-B
3	1	TR1	AAT11005	TRANSISTOR 2SC458-C
2	1		AAO17623	CONNECTOR STICKER D
1	1		AAO17770	COUNTER DRIVE P.C. BOARD
ITEM No.	QUAN. REQ.	SYMB	PART NUMBER	DESCRIPTION

Used On		GAME PLAN Inc. 1515 W. Fullerton Ave Addison ILL. 60101	
PARTS MUST BE CLEAN AND FREE OF BURRS		Scale	Finish
		Drawn By BP	
Date	12-23-80	Amt	1
		App. By	
		Mat'l NOTED	
		Drawing Number 02-70075C	
COUNTER DRIVE P.C. BOARD (INTRUDER)			

C	50V.-2.2μ ELYTIC WAS TANT. SSG3S-2R2F	12-23-80
B	ITEM 10 DELETED	12-23-80
A	ITEM 9 WAS 25VB33 P/N 41034	12-23-80
ISSUE	CHANGE	DATE