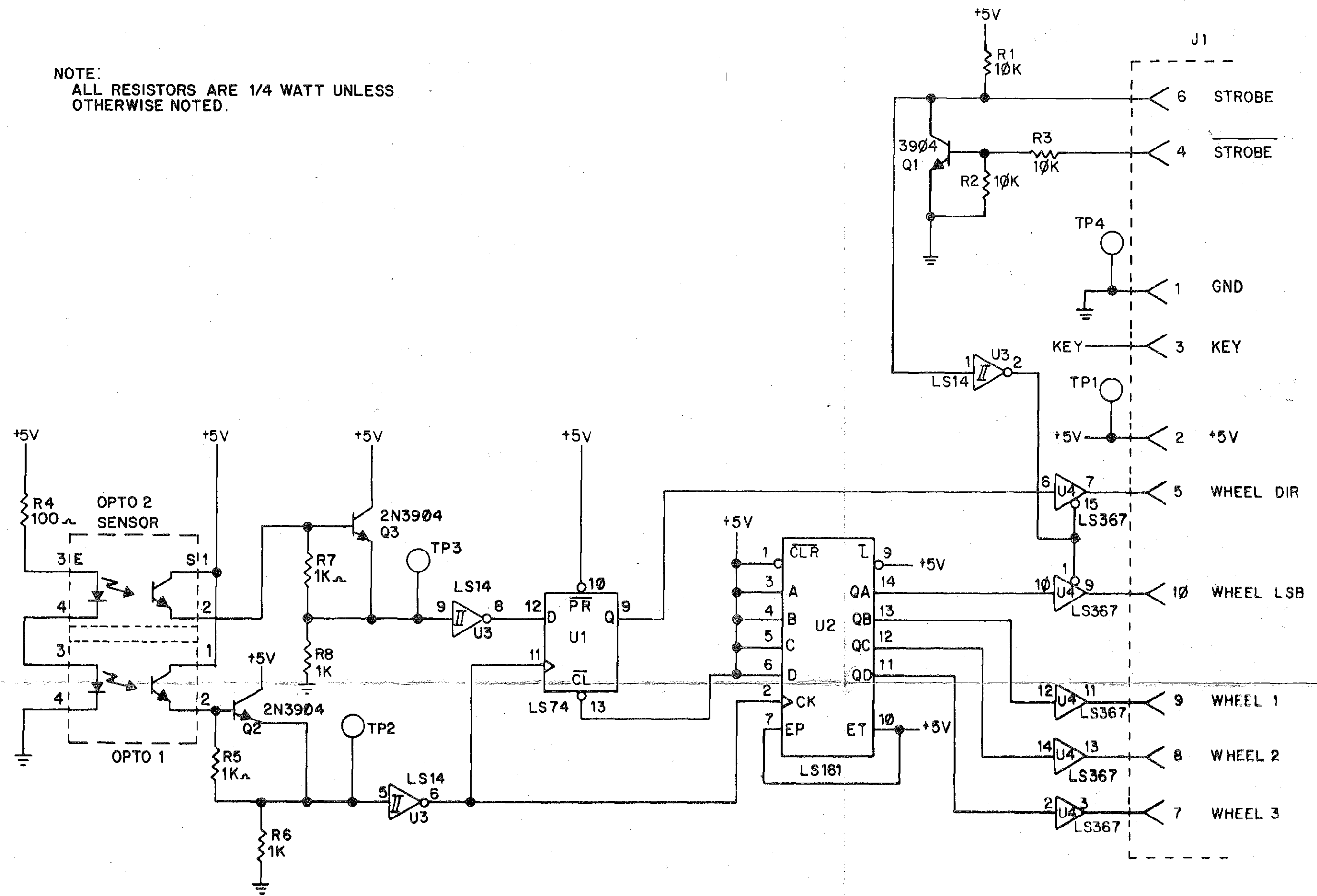
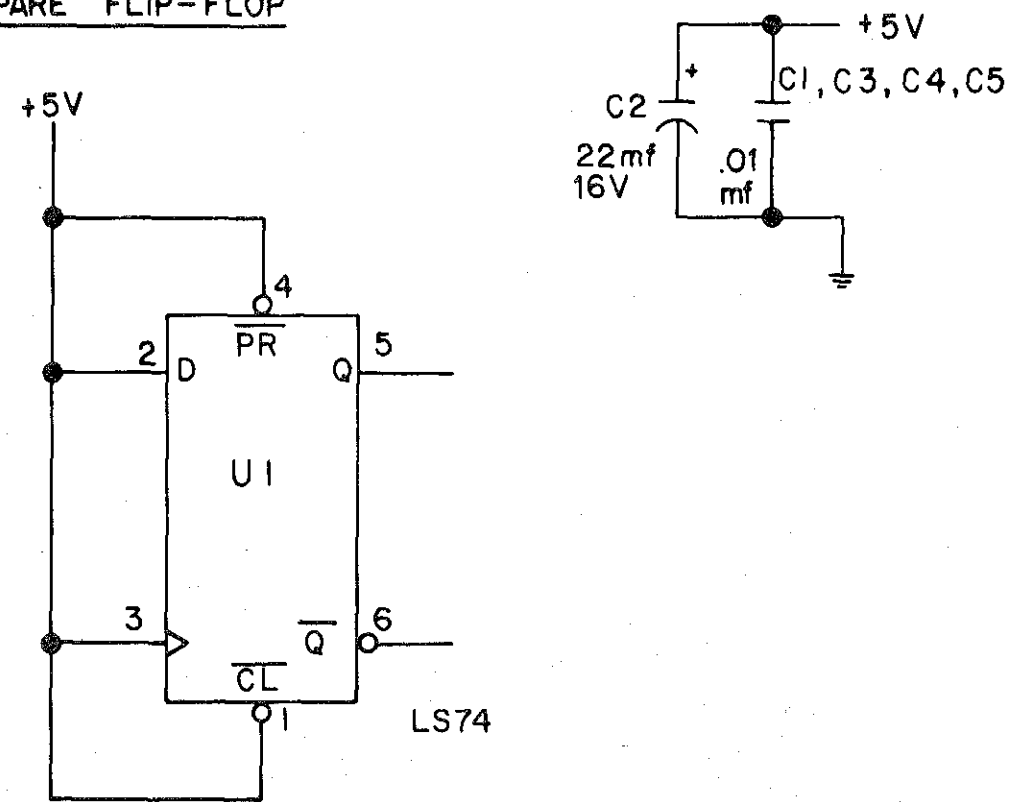


NOTE:  
ALL RESISTORS ARE 1/4 WATT UNLESS  
OTHERWISE NOTED.



SPARE FLIP-FLOP



NAME SCHEMATIC, STEERING WHEEL  
P.C. BOARD

PART NO 34C-2036-S

SHEET OF A

34C-2036-S

G F E D C B A

5

5

4

4

3

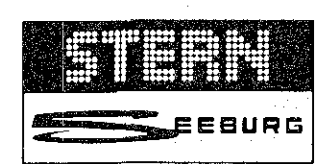
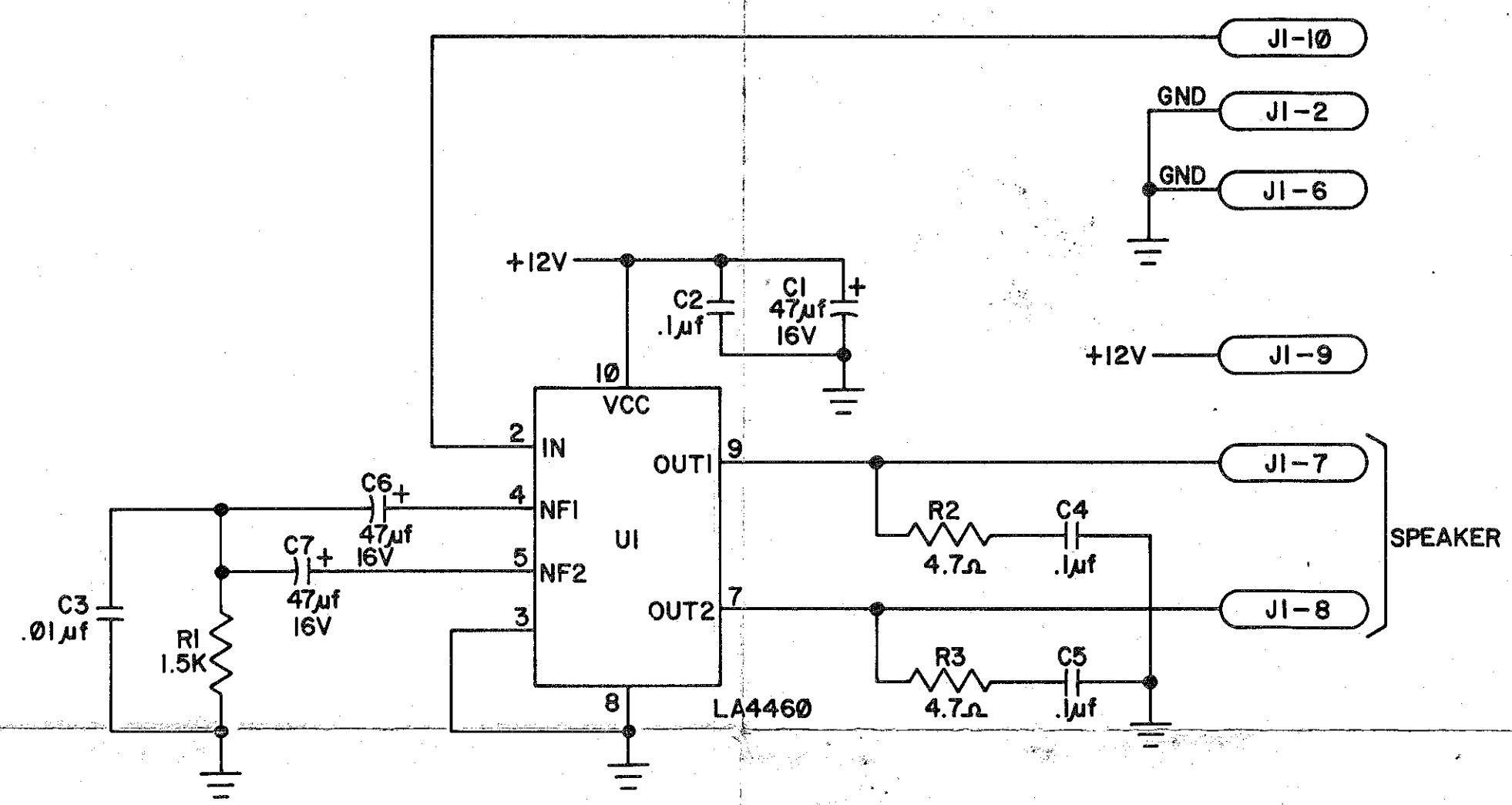
3

2

2

1

1



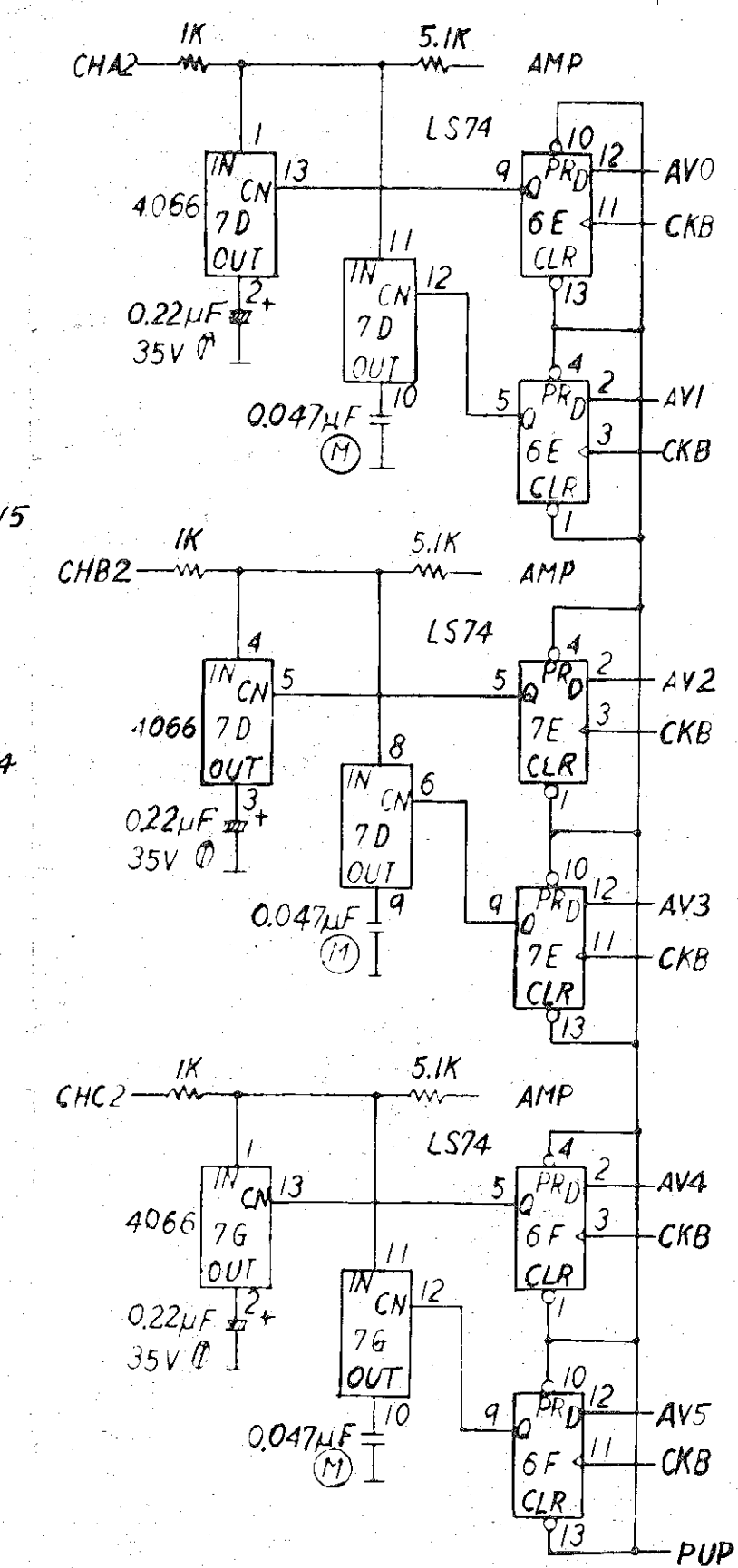
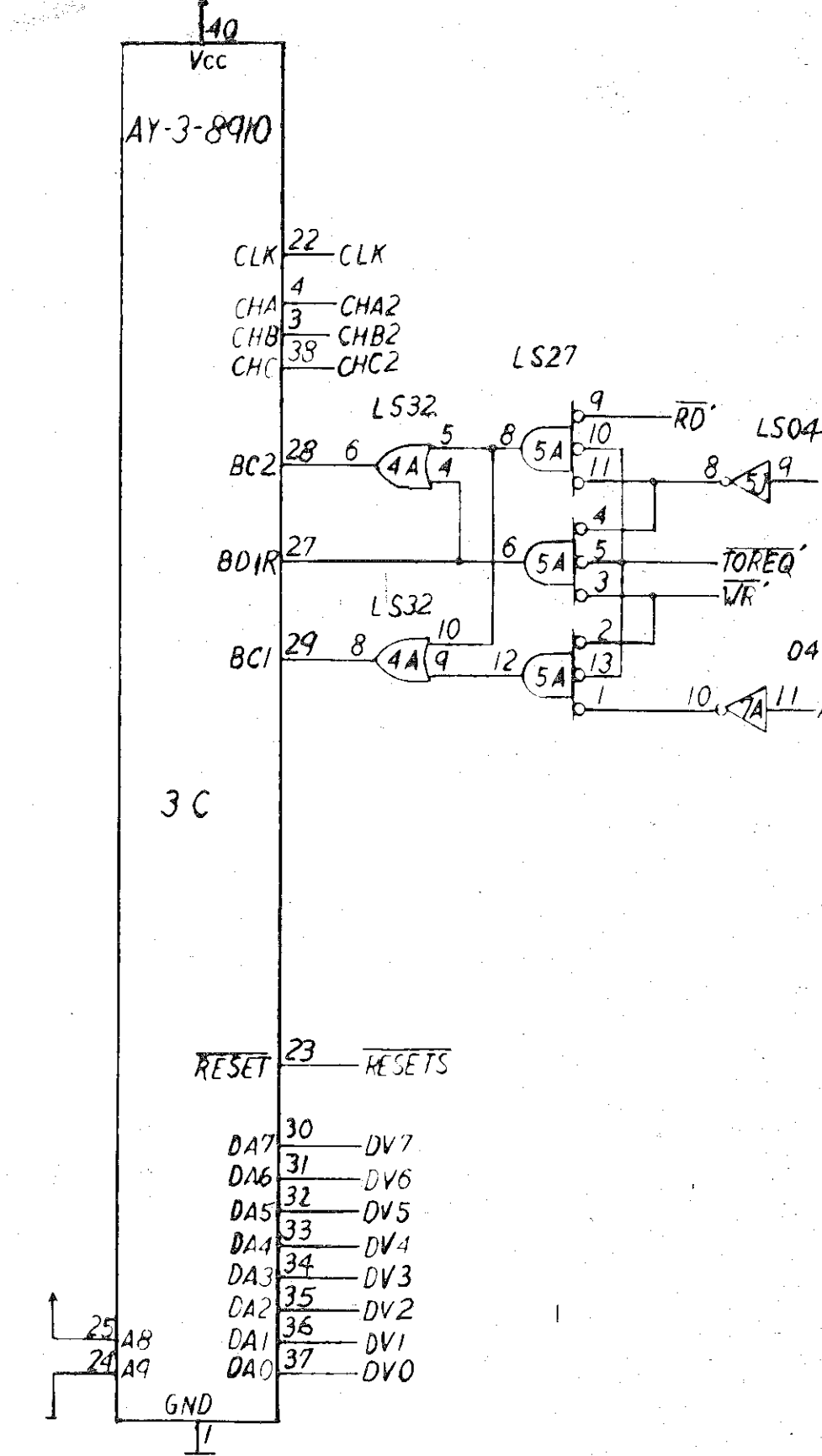
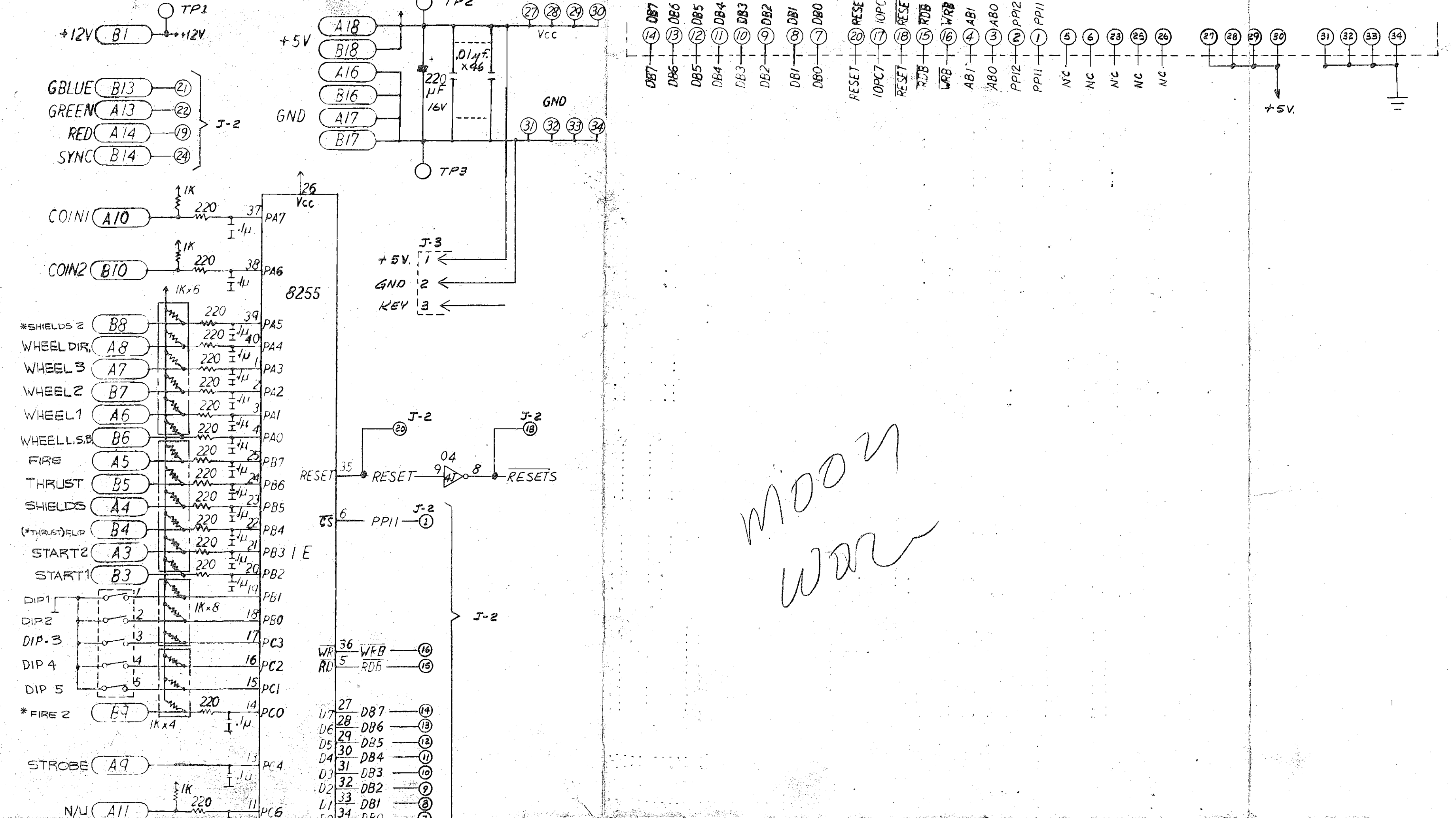
NAME SCHEMATIC, MOON WAR  
AUDIO AMPLIFIER P.C. BOARD

PART NO 34C-987-S

SHEET OF

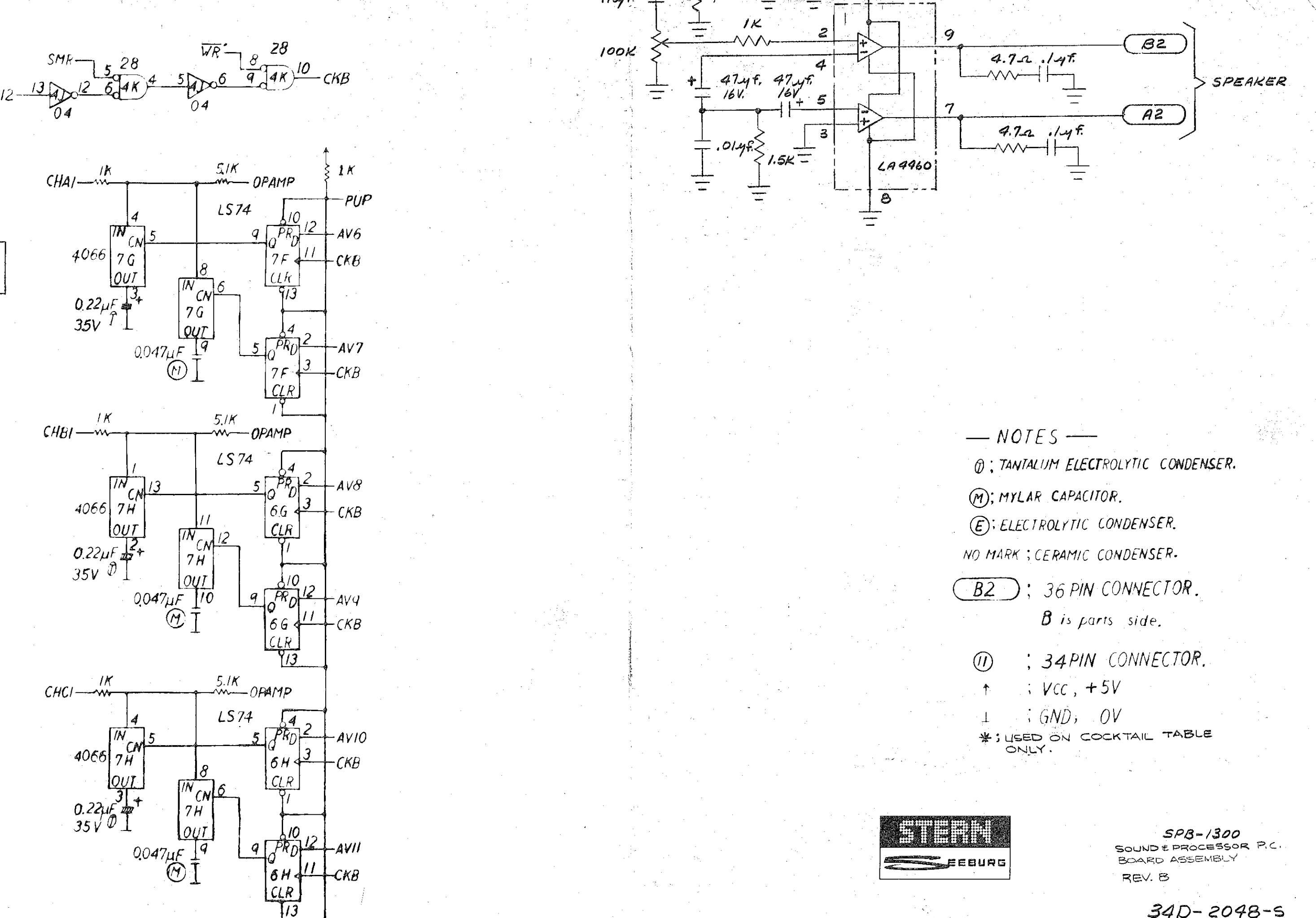
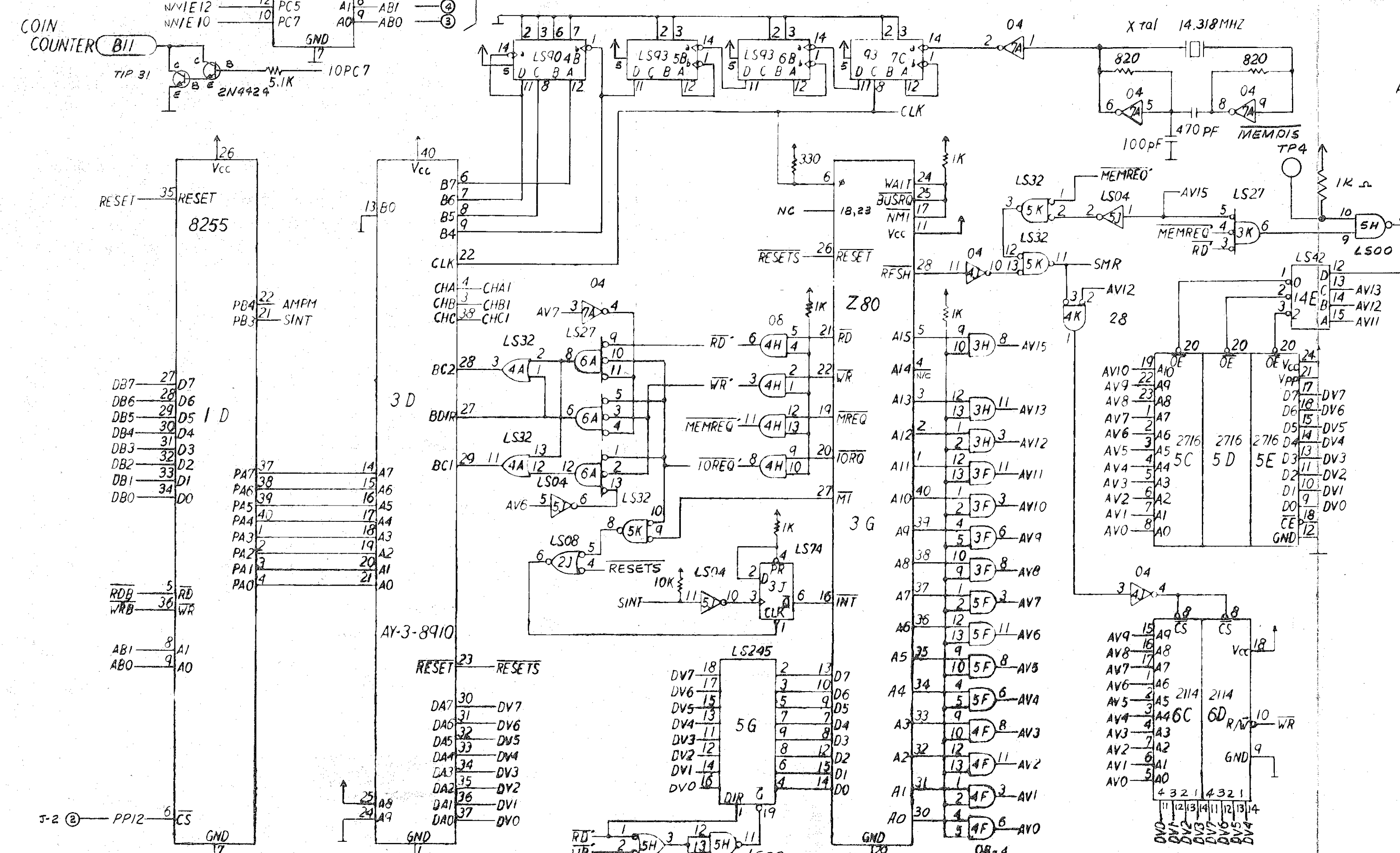
G F E D C B A

34C-987-S

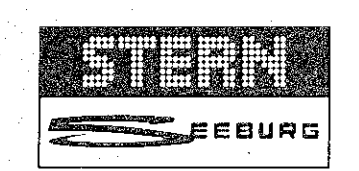


REVISIONS				
SYM.	ISSUE	DATE	CHK DATE	APPD DATE
A	ISSUE E1.01091	8.13.81	8.13.81	M.S. 8/14/81
B	ISSUE E1.01116	9.2.81	9.2.81	M.S. 9/2/81

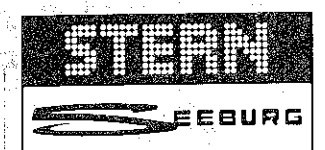
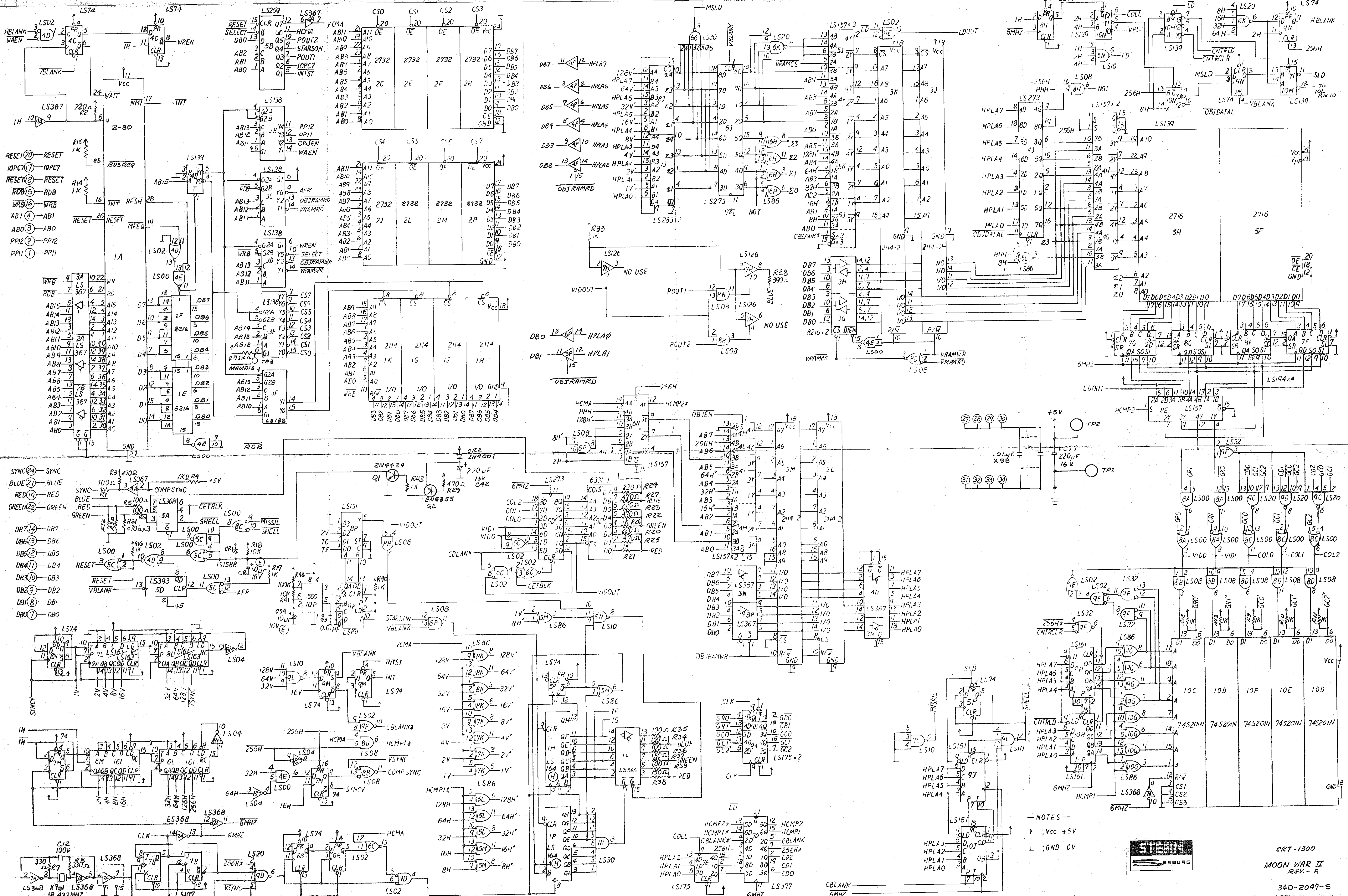
*MOON WAR*



- NOTES —
- Ⓢ : TANTALUM ELECTROLYTIC CONDENSER.
  - Ⓜ : MYLAR CAPACITOR.
  - ⓔ : ELECTROLYTIC CONDENSER.
  - NO MARK : CERAMIC CONDENSER.
  - Ⓢ2 : 36 PIN CONNECTOR.
  - B is parts side.
  - Ⓢ : 34 PIN CONNECTOR.
  - ⊥ : VCC, +5V
  - Ⓢ : GND, 0V
  - \* : USED ON COCKTAIL TABLE ONLY.







CRT-1300  
 MOON WAR II  
 REV. A  
 34D-2047-5

NOTES  
 † Vcc +5V  
 L ; GND 0V