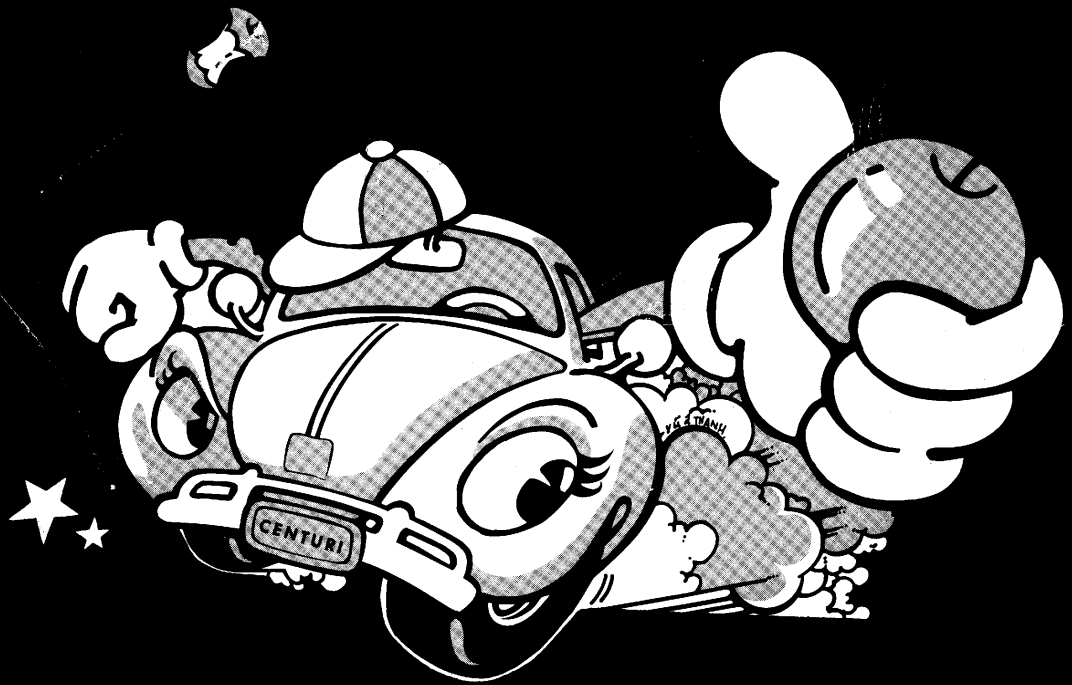


centuri inc.
MANUAL NO. 011-4641

SERVICE MANUAL

MUNCH MOBILE



MUNCH MOBILE

CENTURI, INC.
245 W. 74TH PLACE
HIALEAH, FLA. 33014

CUSTOMER SERVICE:
TEL. #(305) 558-5200 (IN FLORIDA)
TEL. #(800) 327-7710 (OUTSIDE FLORIDA)

TELEX: 803694 ANSB CENTURI CABLE: CENTURI

"MUNCH MOBILE"

TABLE OF CONTENTS

<u>I. INTRODUCTION:</u>	<u>PAGE NO.</u>
USER INFORMATION-----	1
NOTES-----	2
FRONT VIEW, MUNCH MOBILE, CABINET (FIG.1)-----	3
FRONT VIEW CABINET, PARTS LIST FOR FIG.1-----	4
GAME DESCRIPTION SUMMARY -----	5,6
<hr/>	
<u>II. OPERATION:</u>	
GAME INSTRUCTION AND POINT SCORING-----	7
OPTIONAL SWITCH SETTINGS-----	8,9
INSTALLATION & ELECTRICAL REQUIREMENTS-----	10
110/220 VAC CONVERSION INSTRUCTIONS-----	11
110/220 VAC INTERCONNECT DIAGRAM, FIG.2 (370-10-0400B)-----	12
ROUTINE MAINTENANCE & SERVICE, POWER SUPPLY-----	13
<hr/>	
<u>III. GAME PART DRAWINGS, PARTS LISTS & SCHEMATICS:</u>	
EXPLODED VIEW OF JOYSTICK ASS'Y., FIG. 3-----	14
EXPLODED VIEW OF JOYSTICK PARTS LIST-----	15
EXPLODED VIEW OF CONTROL PANEL & PARTS LIST, FIG. 4-----	16,17
FRONT PLATE EXPLODED VIEW, FIG. 5-----	18
FRONT PLATE EXPLODED VIEW, PARTS LIST-----	19
COIN DOOR EXPLODED VIEW, FIG. 6 (MECHANICAL)-----	20
COIN DOOR EXPLODED VIEW, PARTS LIST (MECHANICAL)-----	21
COIN DOOR EXPLODED VIEW, FIG. 7 (HARDWARE)-----	22
COIN DOOR EXPLODED VIEW, PARTS LIST (HARDWARE)-----	23
PSR-703-AE PAL POWER SUPPLY, PARTS LIST (414-2020)-----	24
PSR-703-AE PAL POWER SUPPLY, SCHEMATIC-----	25
C.P.U. HARNESS (008-4885)-----	26
CONTROL PANEL HARNESS (008-4884)-----	27
CABINET POWER HARNESS (370-12-0200B)-----	28
SCHEMATICS-----	

USER INFORMATION - F.C.C.

WARNING

THIS EQUIPMENT GENERATES, USES, AND CAN RADIATE RADIO FREQUENCY ENERGY, AND IF NOT INSTALLED AND USED IN ACCORDANCE WITH THE INSTRUCTION MANUAL, MAY CAUSE INTERFERENCE TO RADIO COMMUNICATIONS. AS TEMPORARILY PERMITTED BY REGULATION, IT HAS NOT BEEN TESTED FOR COMPLIANCE PURSUANT TO SUBPART J OF PART 15 OF F.C.C. RULES, WHICH ARE DESIGNED TO PROVIDE REASONABLE PROTECTION AGAINST SUCH INTERFERENCE. OPERATION OF THIS EQUIPMENT IN A RESIDENTIAL AREA IS LIKELY TO CAUSE INTERFERENCE IN WHICH CASE, THE USER AT HIS OWN EXPENSE WILL BE RQUIRED TO TAKE WHATEVER MEASURES MAY BE REQUIRED TO CORRECT THE INTERFERENCE.

INTRODUCTION

"MUNCH MOBILE" IS A MICROPROCESSOR BASED COIN-OPERATED ELECTRONIC GAME, THAT MAKES EXTENSIVE USE OF DIGITAL INTEGRATED CIRCUITRY AND TELEVISION MONITOR CONCEPTS. THIS MANUAL IS DESIGNED FOR THE USE OF MAINTENANCE TECHNICIANS WHO POSSESS A GENERAL WORKING KNOWLEDGE OF SOLID-STATE CIRCUITRY, AND VIDEO MONITOR THEORY. ANY INDIVIDUAL NOT KNOWLEDGEABLE IN THESE AREAS SHOULD NOT ATTEMPT REPAIR OF THE ELECTRONIC PORTIONS OF THE GAME.

IN ADDITION TO THIS MANUAL AND TRAINING IN ELECTRONICS, TROUBLE-SHOOTING AND REPAIR WILL BE FACILITATED BY ACCESS TO GENERAL-TYPE HANDTOOLS, A MULTIMETER, A 50 OR 100 MHZ OSCILLOSCOPE AND A LOGIC PROBE WOULD BE HELPFUL.

TECHNICAL ASSISTANCE IS AVAILABLE BY CALLING (305) 558-5200. QUESTIONS OR COMMENTS CONCERNING "MUNCH MOBILE" OR ANY OF OUR GAMES ARE WELCOME AND SHOULD BE DIRECTED TO:

CENTURI, INC.

CUSTOMER SERVICE DEPARTMENT
#800-327-7710 (OUTSIDE THE STATE OF FLA.)
#305-556-5888 (IN FLORIDA)

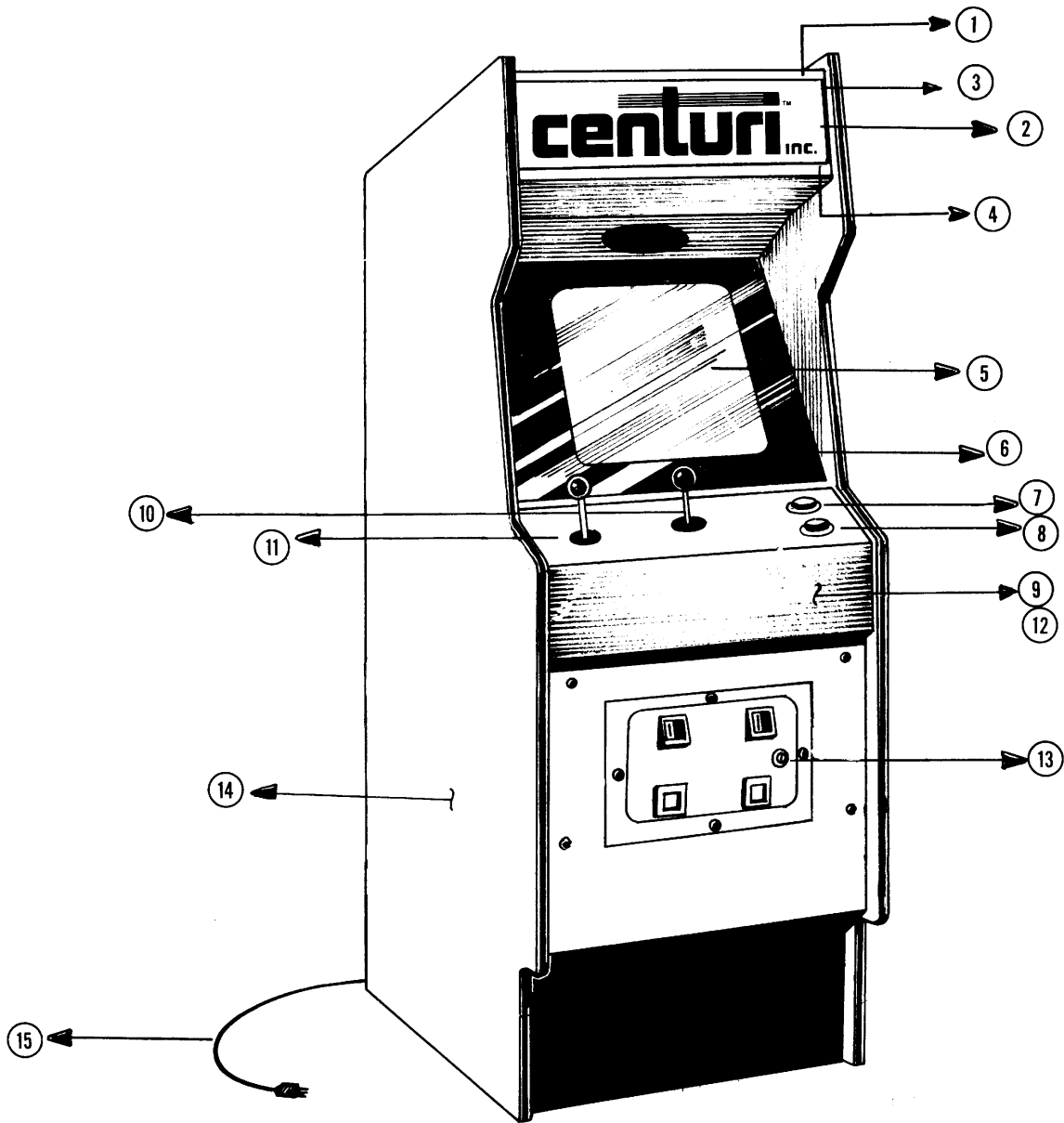
NOTES

NEVER REPLACE ANY COMPONENTS WITH ANYTHING OTHER THAN EXACT REPLACEMENT PARTS.

NEVER REMOVE CIRCUIT BOARD CONNECTIONS WHILE POWER IS ON.

DO NOT REPLACE THE FUSE WITH ANYTHING OTHER THAN THE PROPER VALUE. A BLOWN FUSE INDICATES AN OVERLOAD CONDITION WITHIN THE GAME. REPLACING THE FUSE WITH A HIGHER VALUE CAN CAUSE SEVERE DAMAGE TO INTERNAL COMPONENTS IF AN OVERLOAD OCCURS.

ALWAYS CONSULT THE MANUAL BEFORE ATTEMPTING REPAIRS.



(FIG, 1) FRONT VIEW OF CABINET.

MUNCH MOBILE CABINET

PARTS LIST

Item	CENTURI P/N	DESCRIPTION:	QNTY.
1.	302-2592	Top angle hold down bracket	1
2.	802-3108	Silk screened marquee panel	1
3.	803-0960	Vinyl trim, 7½" long	1
4.	302-2530	Glass holding bracket	1
5.	605-0957	Viewing glass	1
6.	804-3125	Silkscreened monitor overlay	1
7.		1 - Player start button	1
8.		2 - Player start button	1
9.		Control panel overlay	1
10.	702-1202	8 - Way micro sw. joystick	1
11.	702-1203	2 - Way micro sw. joystick	1
12.	006-4459	Control panel wired ass'y.	1
13.	009-4694	Coinco coin door	1
14.	004-4326	Wood cabinet ass'y.	1
15.	008-4722	Line cord	1

MUNCH MOBILE - Game Description

The object of "Munch Mobile" is to guide the car on the road, avoiding obstacles and return home without running out of gas. Along the route, objects are collected with a hand protruding from the car. The more fruit collected, the higher the bonus.

The player controls the car with the 8-way joystick and the hand is controlled by the 2-way joystick. This game requires eye-hand coordination and skill in order to pick up the objects and make it back home safely.

Round 1:

Along the route, fruit is collected by the hand. Careful attention is given to avoid injuring the hand against bushes and trees and keep the car on the road without running into the side of the road.

At the bottom of the screen, an apple is displayed that indicates which object will give the extra bonus, if the required number of that object is collected. The fruit is eaten by the car, and the hand should dispose of its residue into the trash cans alongside of the road. Additional fuel for the car may be obtained from the roadside in appropriately indicated gas containers. Halfway along the route is a bridge crossing a river. The fish jumping into the air from the river should be caught. After crossing the bridge, fruits and fuel should still be collected. Rocks and fire trucks should be avoided by the car.

The round is completed by cautiously parking the car in the house's garage.

Round 2:

This round is similar to Round 1 except the car moves faster. More objects are added alongside the road and are positioned so they are harder to collect. Cherries are displayed at the bottom of the screen and the required amount should be collected for extra bonus points. There is an intersection of roads in this round where a collision with other vehicles should be avoided. This round is completed in the same manner as in Round 1.

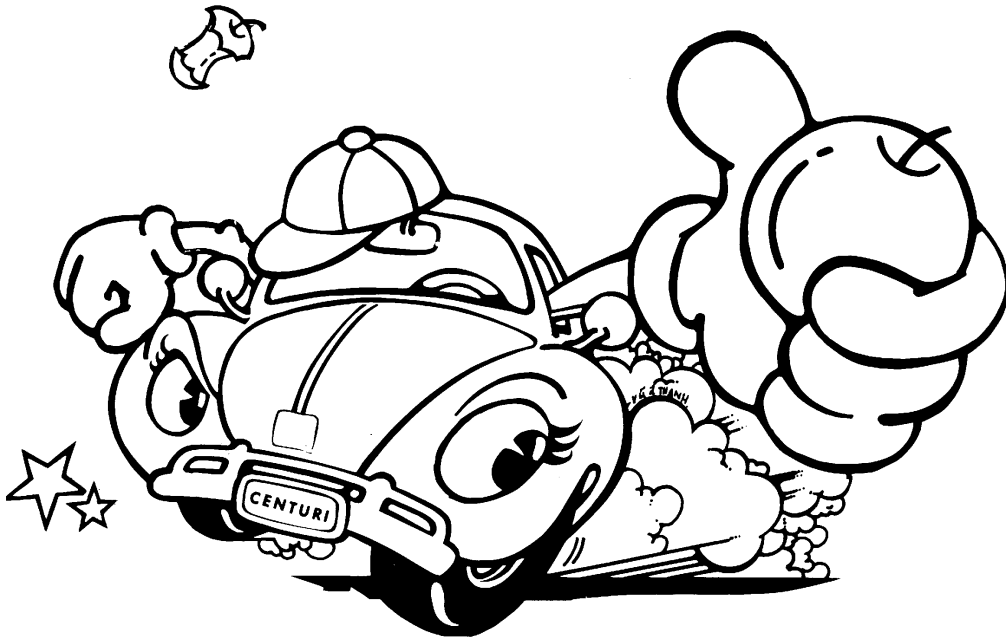
Round 3:

In this round, more curves and intersections are added. Objects to be collected are situated in more difficult locations. The speed of this round is much faster than that of previous rounds. 90° degree curves have been added that require precise timing in maneuvering the car in order to successfully pass them.

Round 4-7:

Each round becomes progressively faster incorporating more curves, with more objects to collect and more obstacles.

MUNCH MOBILE★



INSTRUCTIONS

- 1) Control Munch Mobile with left joystick.
- 2) Control Munch Mobile's hands with right joystick.
- 3) How to score points:
 - Collect fruit, fish, etc. and bring into Munch Mobile.
 - Deposit waste in trash cans.
 - Collect bags of money.
- 4) Bonus scoring:
 - Enter garage at the end of each round. Points are determined by speed of Munch Mobile and number of objects collected during the round.
 - Collect the required number of the designated objects in each round for additional points.
- 5) Don't run out of fuel!

"MUNCH MOBILE"

INSTRUCTION OF DIP SW

Dip Switch #1

Description	SW1	SW2	SW3	SW4	SW5	SW6	SW7	SW8
Coin 1								
1 coin/1 play	Don't Care	On	On	On	On			
1 coin/2 play	Don't Care	Off	On	On	On			
1 coin/3 play	Don't Care	On	Off	On	On			
1 coin/4 play	Don't Care	Off	Off	On	On			
1 coin/5 play	Don't Care	On	On	Off	On			
1 coin/6 play	Don't Care	Off	On	Off	On			
1 coin/7 play	Don't Care	On	Off	Off	On			
1 coin/8 play	Don't Care	Off	Off	Off	On			
2 coin/1 play	Don't Care	On	On	On	Off			
2 coin/3 play	Don't Care	Off	On	On	Off			
3 coin/1 play	Don't Care	On	Off	On	Off			
3 coin/2 play	Don't Care	Off	Off	On	Off			
1 coin/1 play	Don't Care	On	On	Off	Off			
1 coin/1 play	Don't Care	Off	On	Off	Off			
1 coin/1 play	Don't Care	On	Off	Off	Off			
1 coin/1 play	Don't Care	Off	Off	Off	Off			
Bonus	SW1	SW2	SW3	SW4	SW5	SW6	SW7	SW8
10,000	Don't Care					On	On	On
20,000	Don't Care					Off	On	On

Bonus	SW1	SW2	SW3	SW4	SW5	SW6	SW7	SW8
30,000	Don't					On	Off	On
	Care							
40,000	Don't					Off	Off	On
	Care							
50,000	Don't					On	On	Off
	Care							
60,000	Don't					Off	On	Off
	Care							
70,000	Don't					On	Off	Off
	Care							
No Bonus	Don't					Off	Off	Off
	Care							

Dip Switch #2

Description	SW1	SW2	SW3	SW4	SW5	SW6	SW7	SW8
Number of Car (1)			On	On				
(2)			Off	On				
(3)			On	Off				
(5)			Off	Off				

Stop Picture						Off		
Music on Demo							On	
Table								Off
Upright								On
2nd Bonus								
30,000	On	On						
40,000	Off	On						
100,000	On	Off						
No Bonus	Off	Off						
every								

INSTALLATION

Your game was shipped from the factory in ready-to-play condition. A brief inspection is suggested before the machine is removed from the carton. If there is damage to the shipping carton, contact the freight carrier for claim purposes. External damage could indicate possible damage to the cabinet and/or electronics components.

After the carton has been satisfactorily inspected, remove the machine from the shipping carton.

Examine the interior of the game for disconnected wires, cables, or harnesses. Make sure the electronic devices are securely mounted in their sockets, etc. Record the game serial number, since it will be required for reference and servicing.

ELECTRICAL REQUIREMENTS

Unless otherwise specified, this game is set to operate at 110 Volts A.C. (See Fig. 2 and 110/220 VAC conversion instructions.)

Power supply chassis schematic information and parts list are included in this manual.

110/220 VAC CONVERSION INSTRUCTIONS

This game contains a harness configuration which allows the machine to be operated from either a 110 VAC or 220 VAC, 50 H_z or 60 H_z power source. All games shipped from Centuri, Inc., are in the 110 VAC configuration. To change to the 220 VAC configuration follow the procedure below.

FIRST: Unplug the machine from the wall outlet to completely eliminate shock hazards.

SECOND: Remove the single 3 AMP slow-blow fuse found in the A.C. Distribution Bracket, and install two, 1.5 AMP slow-blow fuses. Next cut the #18 AWG. white jumper at both ends of the fuse holder, and replace the cover.

THIRD: On the game power transformer, locate the "orange" jumper plug which is marked, 110 VAC. Unplug the "orange" jumper, and plug in the "red" jumper marked 220 VAC.

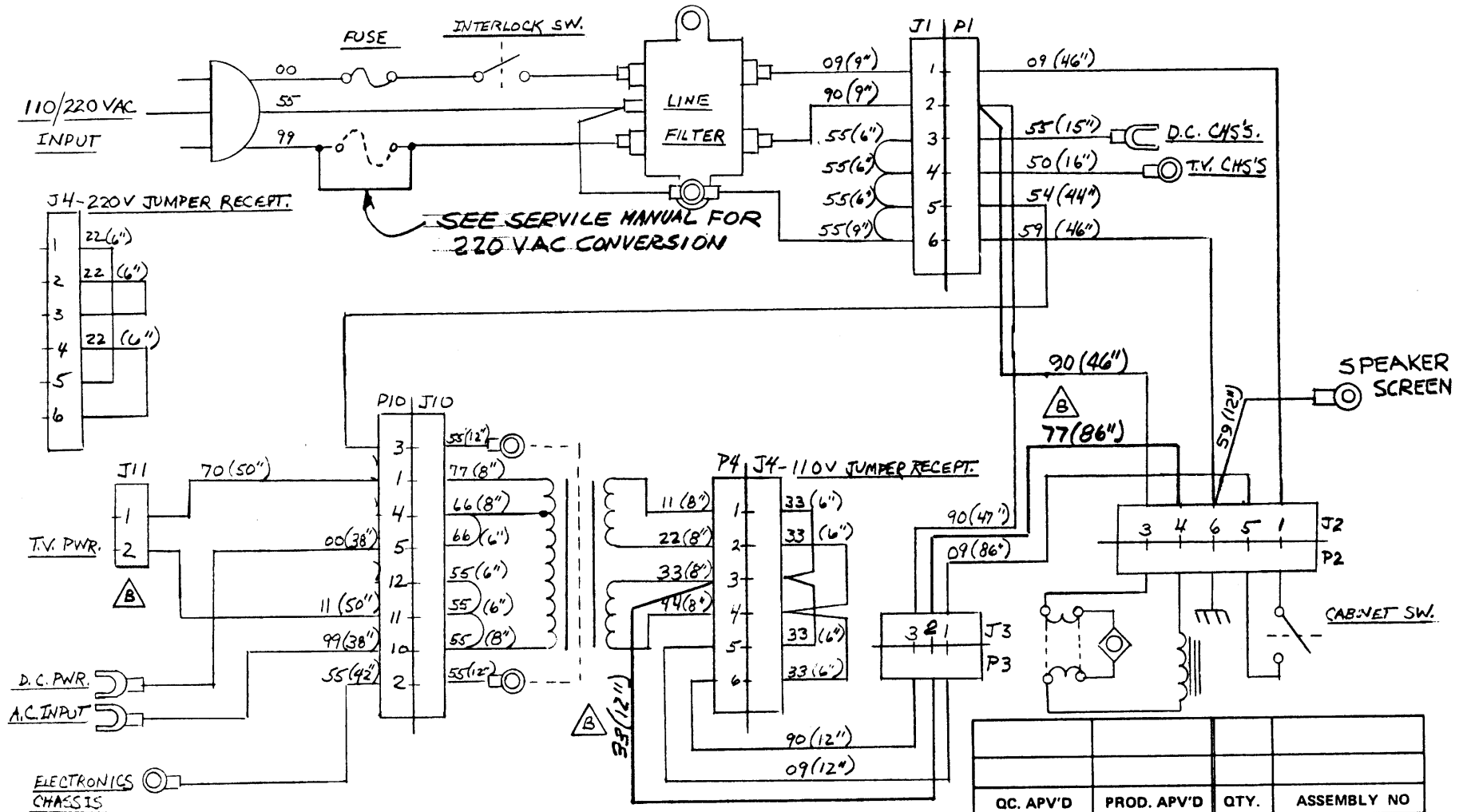
To revert back to 110 VAC, replace the components originally removed from the Steps above.

***NOTE: The common side of the A.C. Line must not be fused in the 110 VAC configuration - Replace the #18 AWG., white jumper wire.

(Refer also to FIG. 2, 110/220 POWER INTERCONNECT DIAGRAM, #370-10-0400B)

THE MATERIAL CONTAINED HEREIN IS CONFIDENTIAL AND NO PART OF IT CAN BE REPRODUCED WITHOUT THE EXPRESSED PERMISSION OF CENTURI, INC.

FIGURE 2



QC. APV'D	PROD. APV'D	QTY.	ASSEMBLY NO

				TOLERANCES		centuri inc. HIALEAH, FLORIDA 33014			
				Unless Otherwise Specified		NAME			
				FRACTIONS	± 1/32	110/220V POWER INTERCONNECT DIAGRAM			
				DECIMALS 2 PL	± .015				
				DECIMALS 3 PL	± .005	MATERIALS HEAT TREAT. FINISH			
				HOLES	+ .003	DWN. VAP			
				ANGLES	± 1/2°	DATE	SCALE	PART NO.	REV.
				SHT. MET BENDS	± 2°	5-8-81		370-10-0400	E
REV. LET.	ECN NO.	REVISION	BY						

AF 17899A

ROUTINE MAINTENANCE & SERVICE

Because of the solid state electronic circuitry, this machine should require very little maintenance, and only occasional adjustments. However, it is necessary to take steps to insure this.

The volume control is located on the bottom side of the printed circuit board, farthest from the side of the cabinet, and can be accessed through the rear door.

The video monitor has been properly adjusted before shipping. Occasionally minor adjustments are necessary. Technical information, along with schematics, can be found in this manual. Adjustment controls for the monitor are located on the rear of the monitor.

"DO NOT MAKE ANY ADJUSTMENTS ON THIS MACHINE WHILE THE POWER IS ON!" This machine should only be adjusted by a "qualified" technician.

For Service Information, contact:

CENTURI, INC.

CUSTOMER SERVICE DEPARTMENT

#800-327-7710 (Outside the State of Fla.)

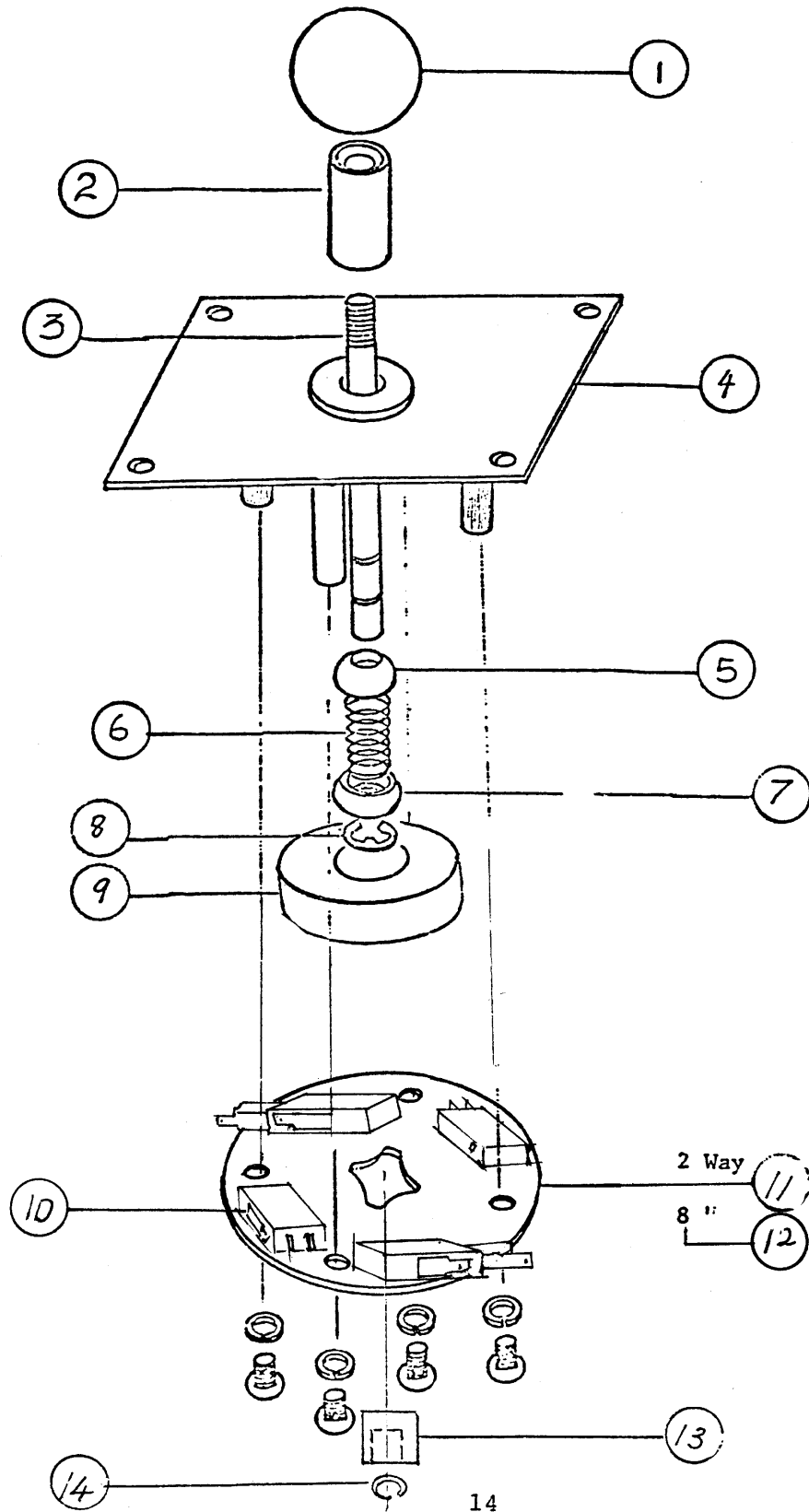
#305-556-5888 (In Florida)

POWER SUPPLY

The Computer Board in this game operates most efficiently and reliably when the power supply is set so the voltage on the Board is 5.0 Volts, ± 0.1 Volts. To check this, place a meter across 5 Volts, and ground, at the edge connector. If necessary, adjust the screwdriver control on the power supply, so the meter reads between 4.9 and 5.1 Volts.

(FIG.3)EXPLODED VIEW OF JOYSTICK ASS'Y

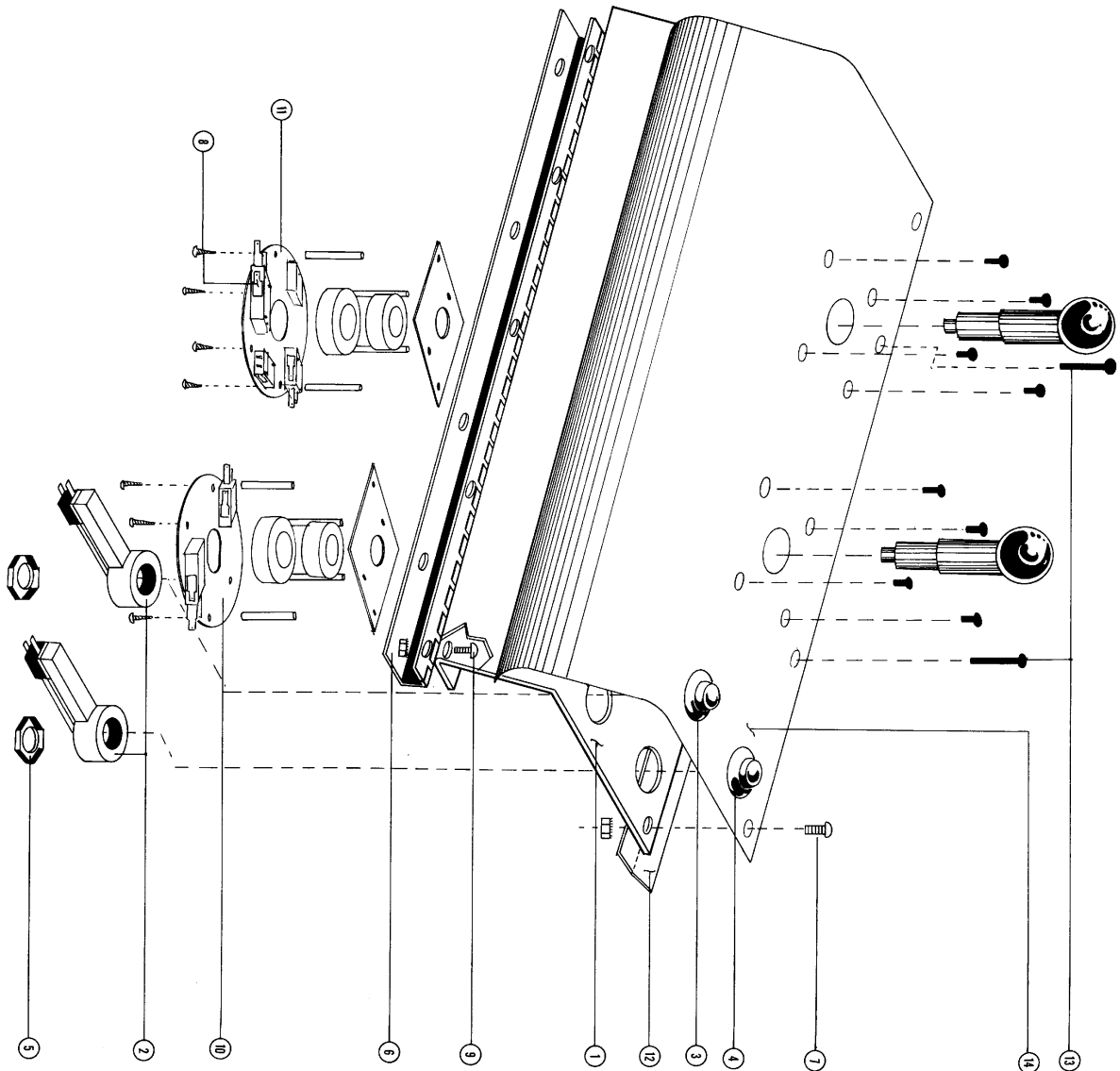
2- -8 Way JOYSTICK



2/8 Way Micro Switch Joystick

PARTS LIST

<u>Item</u>	<u>CENTURI P/N</u>	<u>DESCRIPTION</u>	<u>QNTY.</u>
1.	409-1183	1 3/8" O.D. Ball	1
2.	607-0028	Spacer	1
3.	607-0029	Shaft	1
4.	409-1186	Top Plate Welding Ass'y.	1
5.	409-1187	Top Ball	1
6.	409-1188	Spring	1
7.	409-1189	Bottom Ball	1
8.	409-1190	E-Ring	1
9.	409-1191	Nylon Actuator	1
10.	409-1160	Micro Switch	2/4
11.	302-2670	2 Way Function Plate Micro Sw.	1
12.	302-2671	8 Way Function Plate Micro Sw.	1
13.	702-1199	Roller	1
14.	702-1200	C-Ring	1



REV. LET.	ECN. NO.	REVISION	BY	DATE	SCALE	PART NO.	REV.
				centum EXPLODED VIEW OF CONTROL PANEL HAILEAH, FLORIDA 32014			
				TOLERANCES FRACTIONS 1/32 DECIMALS 0.005 Holes 0.010 SHIP. MET. BENDS 1/2			
				DC. AP'VD. PROD. AP'VD. DTY. ASSEMBLY NO.			

CONTROL PANEL ASS'Y.

PARTS LIST

Item	CENTURI P/N	DESCRIPTION	QNTY.
1.	301-2519	Control panel	1
2.	409-1163	15-0925-01 wico switch w/holder	2
3.	701-1171	15-0520-01 wico red button	1
4.	701-1170	15-0255-01 wico white button	1
5.	103-0951	PAL NWT 19-0254-01 wico	2
6.	306-2661	Hinge	1
7.	111-2322	Carriage bolt, B.O. 10-24 x ½"	6
8.	409-1160	Micro switch	6
9.	111-2323	Carriage bolt, B.O. 10-24 x 3/4"	9
10.	302-2670	2 way micro sw. function plate	1
11.	302-2671	8 way micro sw. function plate	1
12.	302-2585	Deck & glass angle bracket	1
13.	111-2326	Carriage bolt, B.O. 10-24 x 1 3/4"	2
14.	801-3081	CTR panel overlay	1
15.	409-1186	Top plate welding ass'y.	1

2800-0 FRONT PLATE EXPLODED VIEW
25¢ COIN

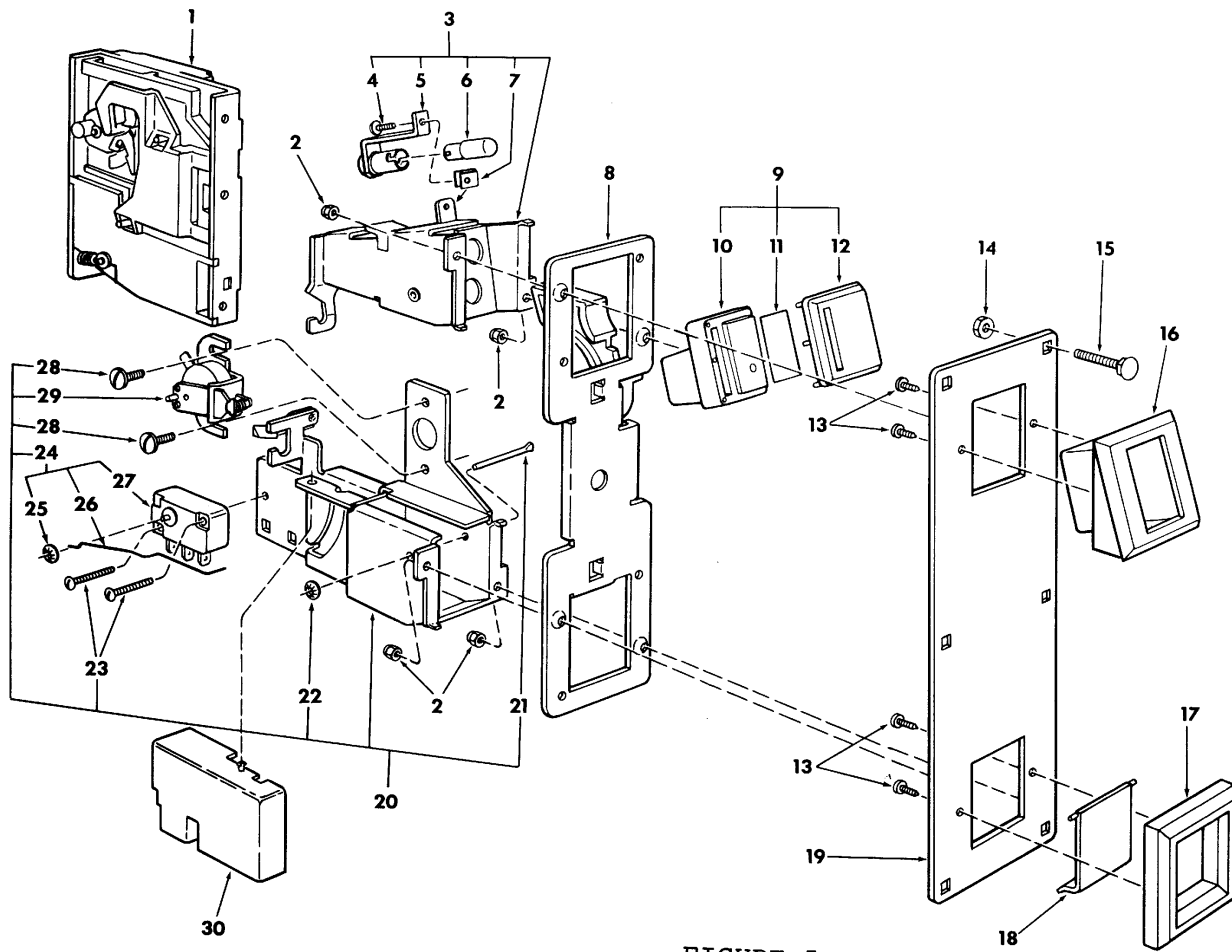


FIGURE 5

Index No.	Part No.	Description	Index No.	Part No.	Description
1	5301-10	25¢ Coin Acceptor	16	904588	Coin Inlet Housing
2	400-4	#4-40 Self Locking Nut	17	904590	Coin Return Cover
3	404351	Coin Inlet Chute Assembly	18	904599	Coin Return Door
4	110-4-6	4 x 3/8 Screw	19	404463	Frontplate Assembly, 3-1/8" x 9-1/4"
5	904717	Lamp Socket	20	404350	Coin Return Chute Assembly
6	904716	#47 Lamp (6.3 Volt)	21	905115	Bar
7	904712	Fastener	22	904936	Keeper
8	404464	Inner Panel/Lever Assembly	23	100-4-12	4-40 x 3/4 Screw
9	404348	Coin Return Button Assembly	24	404353	Switch & Wire Assembly
10	904591	Coin Return Button	25	900651	Retainer
11	904703	25¢ Price Decal	26	904710-1	Switch Wire-Silver
12	904589-2	Reject Cover Button (25¢)	27	904845	Switch
13	345-4-5	#4 x 5/16 Pan Head Screw	28	100-6-3	6-32 x 3/16 Screw
14	406-10	#10-24 Hex Nut (Mounting Hardware)	29	404354	12 Volt Crem Assembly
15	905022	#10-24 x 1-1/8 Carriage Bolt (Mounting Hardware)	30	904762	Switch Cover

2800-0 FRONT PLATE EXPLODED VIEW

(FIGURE 5)

PARTS LIST

<u>NO.</u>	<u>CENTURI P/N:</u>	<u>MANUFACTURING P/N:</u>	<u>DESCRIPTION:</u>
1.	606-0966	5031-10	25¢ COIN ACCEPTOR
5.	606-0987	904717	LAMP SOCKET
6.	606-0988	904716	#47 LAMP (6.3 VOLT)
8.	606-0990	404464	INNER PANEL/LEVER ASS'Y.
10.	606-0967	904591	COIN RETURN BUTTON
11.	606-0968	904703	25¢ PRICE DECAL
12.	606-0969	904589-2	REJECT COVER BUTTON (25¢)
16.	606-0971	904588	COIN INLET HOUSING
17.	606-0975	904590	COIN RETURN BEZEL
18.	606-0972	904599	COIN RETURN DOOR
19.	606-0991	404463	FRONTPLATE ASS'Y. (3 ¹ / ₈ "x9 ¹ / ₄ ")
21.	606-0986	905115	BAR
25.	606-0963	900651	RETAINER
26.	606-0964	904710-1	SWITCH-WIRE, SILVER
27.	409-1165	904845	SWITCH
29.	606-0983	404354	12 VOLT C.R.E.M. ASS'Y.
30.	606-0982	904762	SWITCH COVER
31.	606-1001	404604	COIN RETURN BUTTON ASS'Y.
32.	606-1000	905425-4	COIN INLET HOUSING

2800 SERIES COIN DOOR EXPLODED VIEW

25¢ U.S. COIN

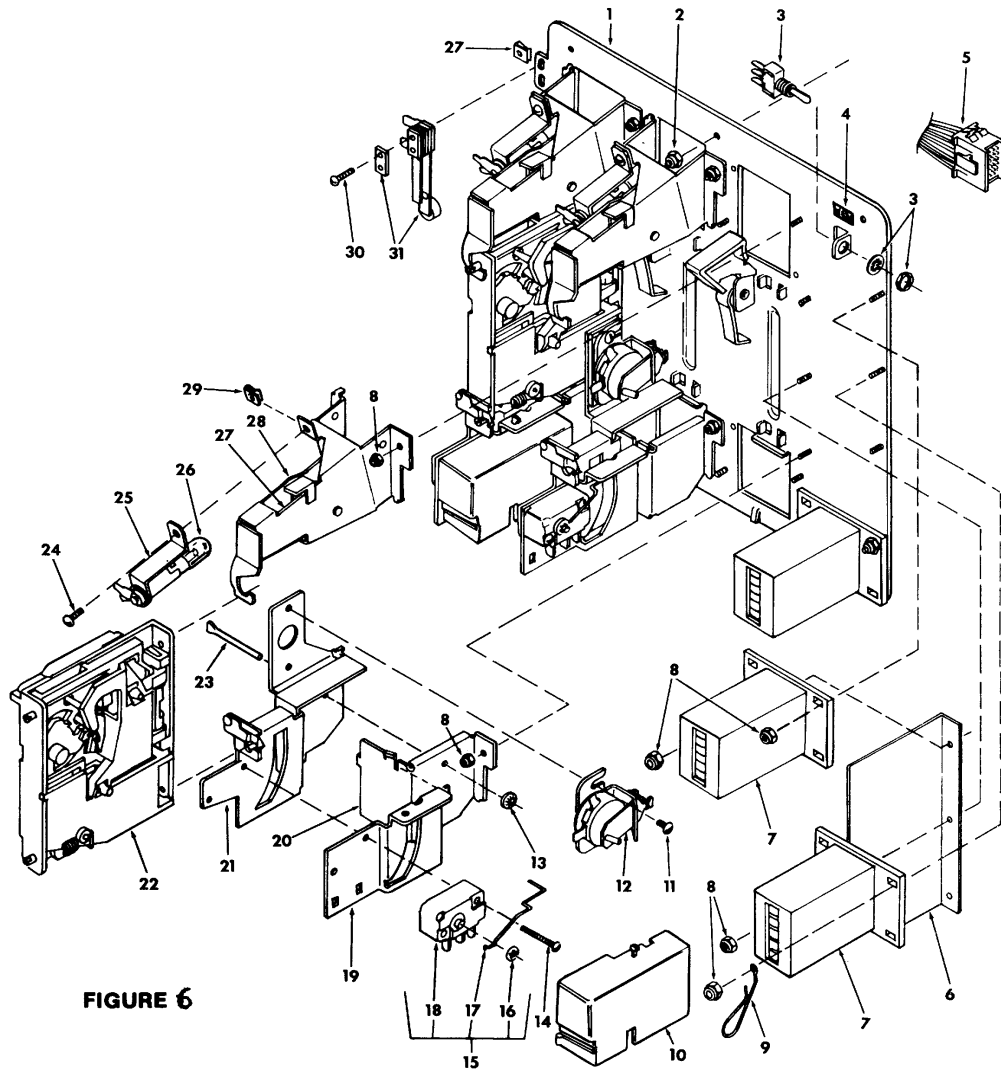


FIGURE 6

Index No.	Part No.	Description	Index No.	Part No.	Description
1	404429	Inner Panel With Levers Sub-Assembly	17	904710-1	Silver Switch Wire — for U.S. 25¢ Coin
2	400-8	Nut	18	904845	Switch
3	904782	Toggle Switch	19	904701	Coin Chute
4	904706	Test Switch Decal	20	904598	Coin Return Box
5		Custom Harness Assembly	21	404428	Switch and C.R.E.M. Coil Bracket Assembly
6	904822	Insulation	22	5301-10	25¢ Acceptor
7	404352	Coin Counter Assembly (6 Volt D.C.)	23	905115	Bar
8	400-4	Nut	24	110-4-6	Screw
9	904722	Wire Key Holder	25	904717	Miniature Bayonet-Base Lamp Socket
10	904762	Switch Cover	26	904716	#47 Lamp (6.3 Volt)
11	100-6-3	Screw	27	404418	Coin Inlet Chute Sub-Assembly
12	404354	C.R.E.M. Coil Assembly. 12 Volts D.C.	28	904594	Right Half of Coin Inlet Chute
13	904936	Keeper	29	904712	"U"-Type Fastener
14	100-4-12	Screw	30	116-4-8	Screw
15	404353	Coin Switch Assembly for U.S. 25¢ Coin	31	904704	Slam Switch Assembly
16	900651	Retainer			

2800 SERIES COIN DOOR EXPLODED VIEW

25¢ U.S. COIN

(FIGURE 6)

PARTS LIST

<u>NO.</u>	<u>CENTURI P/N:</u>	<u>MANUFACTURING P/N:</u>	<u>DESCRIPTION:</u>
1.	606-0978	404429	INNER PANEL w/LEVERS SUBASS'Y.
3.	409-1166	904782	TOGGLE SWITCH
4.	606-0979	904706	TEST SWITCH DECAL
5.	364-62-1000A	-----	CUSTOM HARNESS ASS'Y.
6.	606-0980	904822	INSULATION
7.	419-1662	404352	COIN COUNTER ASS'Y.
9.	606-0981	904722	WIRE KEY HOLDER
10.	606-0982	904762	SWITCH COVER
12.	606-0983	404354	C.R.E.M. COIL ASS'Y. (12 VOLT D.C.)
17.	606-0964	904710-1	SILVER SWITCH WIRE - FOR 25¢ U.S. COIN
18.	409-1165	904845	SWITCH
19.	606-0965	904701	COIN CHUTE
20.	606-0984	904598	COIN RETURN BOX
21.	606-0985	404428	SWITCH & C.R.E.M. COIL BRACKET ASS'Y.
22.	606-0966	5301-10	25¢ ACCEPTOR
23.	606-0986	905115	BAR
25.	606-0987	904717	MINIATURE BAYONET-BASE LAMP SOCKET
26.	606-0988	904716	#47 LAMP (6.3 VOLTS)
27.	606-0989	404418	COIN INLET CHUTE-SUBASS'Y.
31.	409-1167	904707	SLAM SWITCH ASSEMBLY

2800 SERIES COIN DOOR EXPLODED VIEW
25¢ U.S. COIN

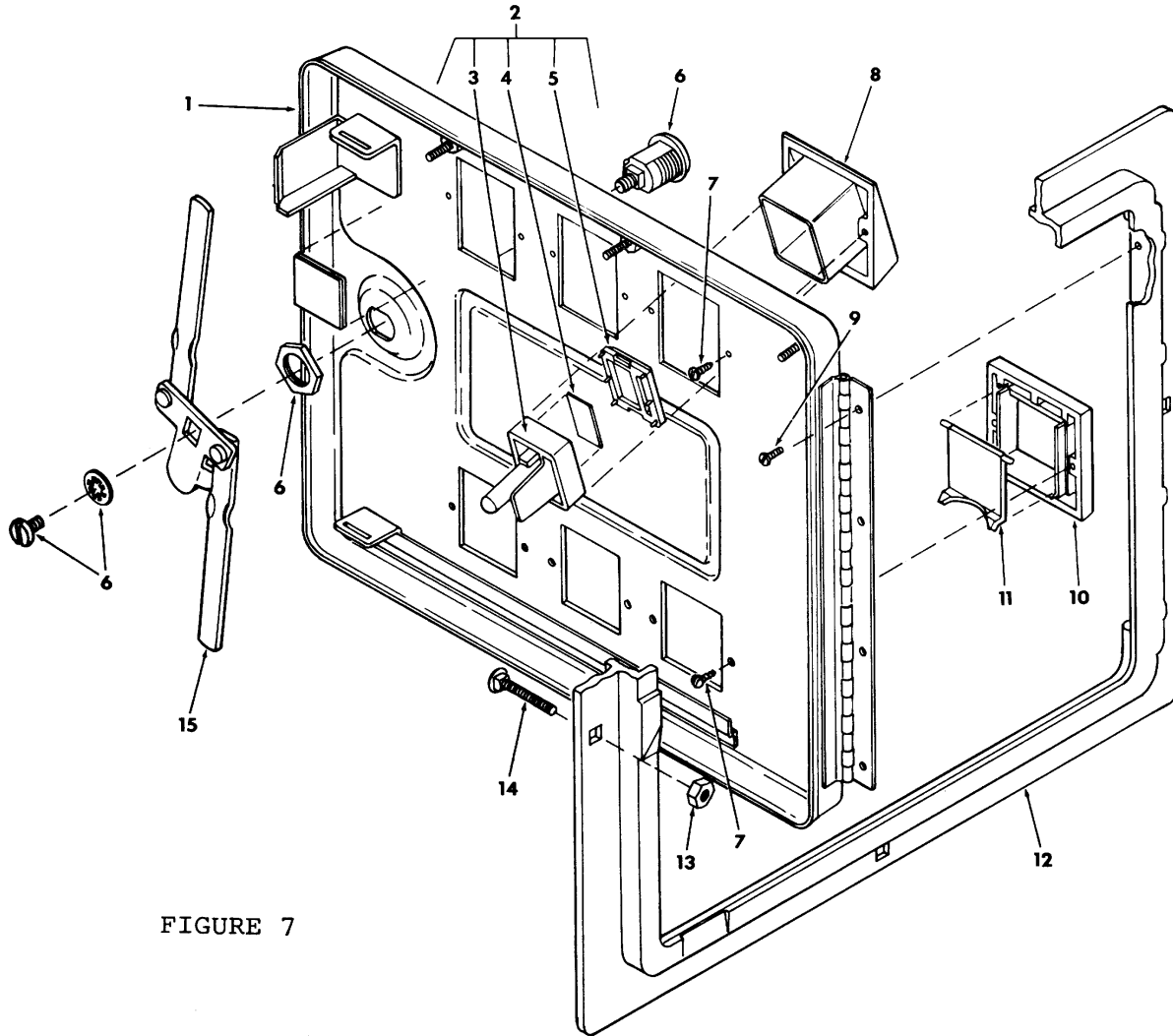


FIGURE 7

Index No.	Part No.	Description	Index No.	Part No.	Description
1	404341	Coin Door Only (2 Coin)	7	345-4-5	Screw
	404341-1	Coin Door Only (3 Coin)	8	904588	Coin Button Housing
2	404348-1	Coin Return Button Assembly for U.S. 25¢ Coin	9	325-4-4	Screw
3	904591	Coin Return Button	10	904590	Coin Return Bezel
4	904703	U.S. 25¢ Price Decal	11	904599	Coin Return Cover
5	904589-2	Coin Return Button Cover for U.S. 25¢ Coin	12	904581	Coin Door Frame, 11-5/8" x 13-3/8" Mounts in a 10-3/8" x 12-3/16" Opening
6	904707-1	Lock Assembly	13	406-416	Hex Nut
			14	904734	Carriage Bolt
			15	404357	Locking Arm Assembly

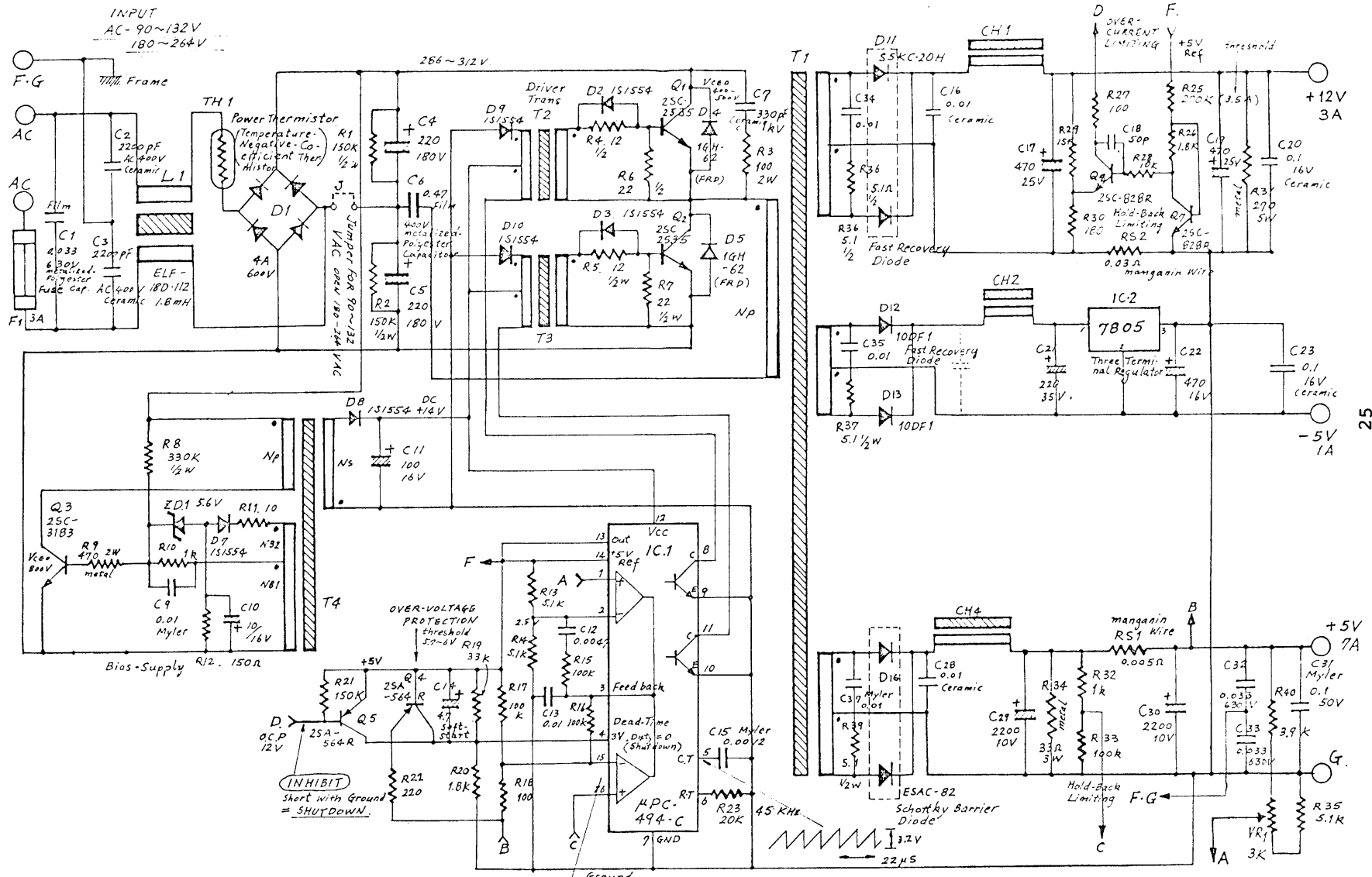
2800 SERIES COIN DOOR EXPLODED VIEW

25¢ U.S. COIN

(FIGURE 7)

PARTS LIST

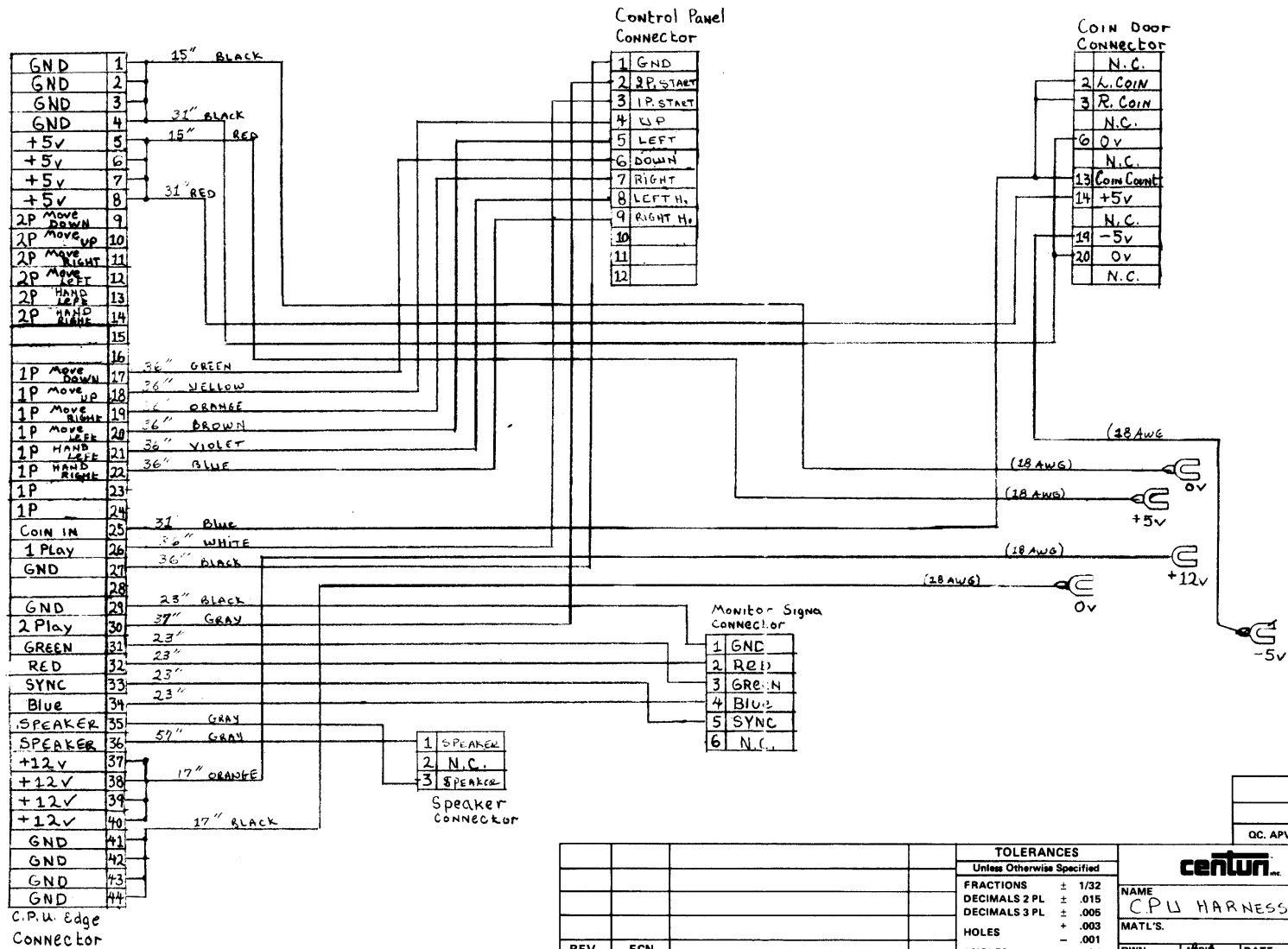
<u>NO.</u>	<u>CENTURI P/N:</u>	<u>MANUFACTURING P/N:</u>	<u>DESCRIPTION:</u>
1.	606-0974	404341	COIN DOOR ONLY (2 COIN)
2.	606-0976	404348-1	COIN DOOR BUTTON ASS'Y. FOR U.S. 25¢ COIN
3.	606-0967	904591	COIN RETURN BUTTON
4.	606-0968	904703	U.S. 25¢ PRICE DECAL
5.	606-0969	904589-2	COIN RETURN BUTTON COVER
6.	606-0970	904707-1	LOCK ASSEMBLY w/KEYS
8.	606-0971	904588	COIN BUTTON HOUSING (INLET HOUSING)
10.	606-0975	904590	COIN RETURN BEZEL
11.	606-0972	904599	COIN RETURN COVER
12.	606-0973	904581	COIN DOOR FRAME (11 5/8"x12 3/8")
15.	606-0977	404357	LOCKING ARM ASSEMBLY
16.	606-1001	404604	COIN RETURN BUTTON ASS'Y.
17.	606-1000	905425-4	COIN INLET HOUSING



o CAPACITORS, NOT MENTIONED ARE ALL MYLER-FILM CAPACITORS
 o RESISTORS, NOT MENTIONED ARE ALL CARBON RESISTOR 1/2 WATT TYPES.

THE MATERIAL CONTAINED HEREIN IS CONFIDENTIAL AND NO PART OF IT CAN BE REPRODUCED WITHOUT THE EXPRESSED PERMISSION OF CENTURI, INC.

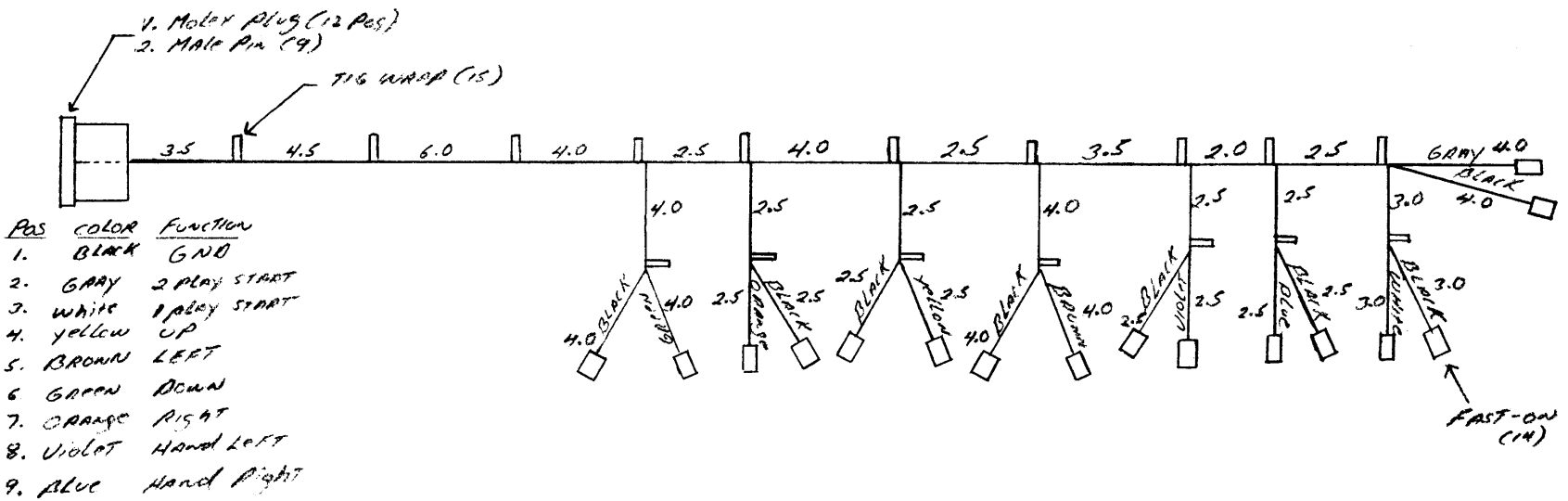
REV. LET.	ECN NO.	REVISION	BY	ANGLES	SHY. MET BENDS	TOLERANCES Unless Otherwise Specified	NAME	DATE	SCALE	PART NO.	REV.
				± 1/2°	± 2°	FRACTIONS ± 1/32 DECIMALS ± 0.015 DECIMALS ± 0.005 HOLES ± .003 MATERIAL ± .001	centuri PER-703-AE			HIALEAH, FLORIDA 33014	
										414-2028	



QC. APV'D	PROD. APV'D	QTY.	ASSEMBLY NO
-----------	-------------	------	-------------

REV. LET.	ECN NO.	REVISION	BY	TOLERANCES	centur inc. HIALEAH, FLORIDA 33014			
				Unless Otherwise Specified	NAME: CPU HARNESS - MUNCH MOBILE			
				FRACTIONS ± 1/32	MATERIALS: HEAT TREAT. FINISH			
				DECIMALS 2 PL ± .015	DWN. DATE: 2/4/83 SCALE: PART NO. 008-4885 REV.			
				DECIMALS 3 PL ± .005				
				HOLES + .003				
				ANGLES - .001				
				SHT. MET BENDS ± 2°				

AF 17895B



- | POS | COLOR | FUNCTION |
|-----|--------|--------------|
| 1. | BLACK | GND |
| 2. | GRAY | 2 PLAY START |
| 3. | WHITE | 1 PLAY START |
| 4. | YELLOW | UP |
| 5. | BROWN | LEFT |
| 6. | GREEN | DOWN |
| 7. | ORANGE | RIGHT |
| 8. | VIOLET | HAND LEFT |
| 9. | BLUE | HAND RIGHT |

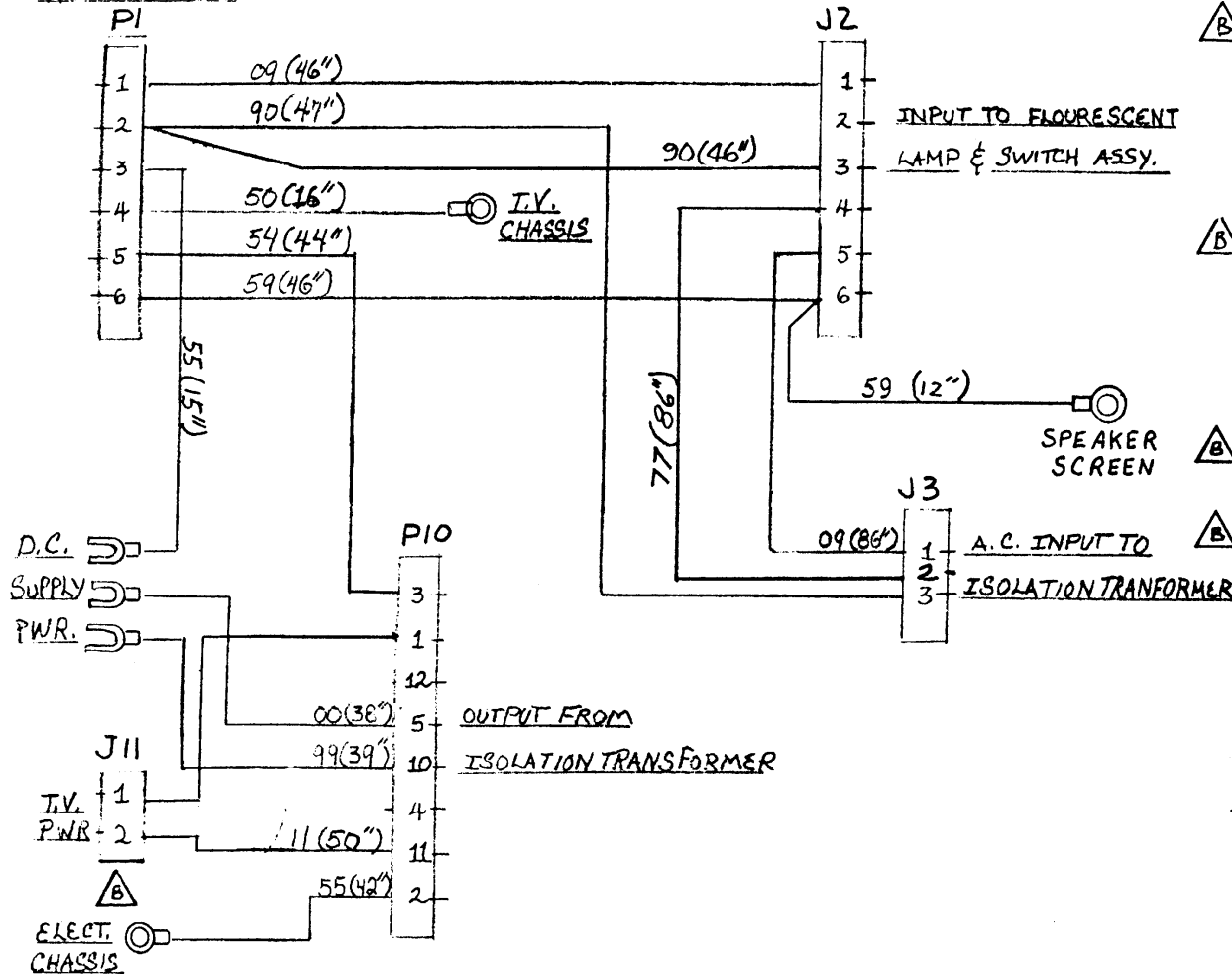
QC. APV'D	PROD. APV'D	QTY.	ASSEMBLY NO

				TOLERANCES		centuri HIALEAH, FLORIDA 33014					
				Unless Otherwise Specified							
				FRACTIONS	± 1/32	NAME CONTROL PANEL HARNESS					
				DECIMALS 2 PL	± .015						
				DECIMALS 3 PL	± .005	MATT'S. HEAT TREAT. FINISH					
				HOLES	+ .003						
					- .001	DWN. APP'D. DATE SCALE PART NO. REV.					
				ANGLES	± 1/2°						
REV. LET.	ECN NO.	REVISION	BY	SHT. MET BENDS	± 2°	<i>[Signature]</i>	<i>[Signature]</i>	2/4/83		008-4884	

AF 17899A

THE MATERIAL CONTAINED HEREIN IS CONFIDENTIAL AND NO PART OF IT CAN BE REPRODUCED WITHOUT THE EXPRESSED PERMISSION OF CENTURI, INC.

A.C. LINE CONN.



QTY	PART NO.	DESCRIPTION
22	50151104	Brown wire #18AWG
21	50157004	Violet black stripe #18AWG
20		
19		
18	50175904	Green white stripe #18AWG
17	44 50175404	Green yellow stripe #18AWG
16	16 50175004	Green black stripe #18AWG
15	132 50170904	Black white stripe #18AWG
14	93 50179004	White black stripe #18AWG
13	86 50177704	VIOLET WIRE #18AWG
12	57 50175504	Green wire #18AWG
11	39 50170004	White wire #18AWG
10	38 50179904	Black wire #18AWG
9	1 50150231	3 PIN RECEPT WEARS & TABS MOLEX # 03-09-1031
8	9 50150278	FEMALE PINS REEL MOLEX # 02-09-1116
7	12 50150277	MALE PINS REEL MOLEX # 02-09-2116
6	3 50150096	OPEN LUG HOLLINSWORTH # RS-421162B
5	3 50150105	RING LUG HOLLINSWORTH # R4123SB-72
4	1 50150322	2 CKT RECEPT MOLEX 14-09-1029
3	1 50150260	6 PIN PLUG WEARS MOLEX # 03-09-3061
2	1 50150262	6 PIN RECEPT WEARS MOLEX # 03-09-1061
1	1 50150261	12 PIN PLUG WEARS MOLEX # 03-09-2122
CENTURI PART NO.		Bill of Materials

QC. APV'D	PROD. APV'D	QTY.	ASSEMBLY NO

AF 17899A

REV. LET.	ECN NO.	REVISION	BY
B		ADDED ITEM 4: CHG'D QTY ITEM 7 & 9 11 J11, J3, J2 P1 P10 DELETED TV PWR. 3 & 20	JTS
A	370-24	ADDED GREEN/WHITE WIRE - 12" AND 1 EA RING LUG # 50150105	JTS
REV. LET.	ECN NO.	REVISION	BY

TOLERANCES	
Unless Otherwise Specified	
FRACTIONS	± 1/32
DECIMALS 2 PL	± .015
DECIMALS 3 PL	± .005
HOLES	+ .003
	- .001
ANGLES	± 1/2°
SHT. MET BENDS	± 2°

centuri inc.		HIALEAH, FLORIDA 33014	
NAME Cabinet Power Harness			
MATT'L'S.		HEAT TREAT.	FINISH
DWN. 53	APP'D. [Signature]	DATE 5-6-81	SCALE X
PART NO. 370-12-0200		REV. B	

BILL OF MATERIALS

MUNCH MOBILE

<u>PART NUMBER:</u>	<u>DESCRIPTION:</u>	<u>QTY.:</u>
501-0165	74LS11 Triple 3-Input and	2
501-0112	74LS10 Triple 3-Input Nand	2
501-0146	74LS164 8Bit Shift Register	1
501-0102	74LS00 Quad 2-Input Nand	4
501-0153	74LS08 Quad 2-Input and	1
501-0129	74LS107 Dual J-K Flipflop w/clear	2
501-0121	74LS74 Dual D-Type Flipflop	6
501-0114	74LS20 Dual 4 Input Nand	6
501-0108	74LS04 Hex Inverter	8
501-0156	74LS32 Quad 2-Input or	5
501-0135	74LS174 Hex D-Type Flipflop	1
501-0137	74LS161 Synchronous 4 Bit Counter	2
501-0141	74LS157 Quad 2 To Line 1 Multiplex	10
501-0200	74LS138 3 To 8 Line Multitplexer	1
501-0184	74LS163 4 Bit Binary Counter	7
501-0139	74LS85 4 Bit Magnitude Comparator	3
501-0125	74LS86 Quad 2-Input Excl or	6
501-0207	74LS283 4 Bit Binary Full Adder	12
501-0205	74LS273 Octal D-Type FF	3
501-0202	74LS245 Tristate Octal Tranceiver	3
501-0117	74LS30 8-Input Nand	1
501-0439	74LS158 2 To 1 Data Sel./MPXR	2
501-0133	74LS166 8 Bit Shift Register	3
501-0440	74S201 Static Ram.	10
501-0174	74LS191 Sync. Up/Down Binary Counter	2
501-0209	74LS366 Hex Tristate Inv. Buffer	4
501-0158	74LS175 Quad D-Type Flipflop	1

Con't.

PART NUMBER:	DESCRIPTION:	QTY.:
501-0172	74LS155 Decoder	1
501-0156	74LS32 Quad 2-Input Or	1
501-0224	555 Precision Timer	1
501-0204	74LS374 Octal D-Type Tristate	1
501-0148	74LS151 1 To 8 Data Multiplexer	1
501-0146	74LS164 8 Bit Shift Register	1
501-0170	74LS139 2 To 4 Line Decoder	1
501-0250	Z-80A Microprocessor	2
500-0008	2732 4KX8 E Prom	4
500-0023	2764 E Prom	3
506-1000	8 Position Dip Switch	2
514-1570	40 Pin IC Socket	2
514-1572	28 Pin I.C. Solder-tail Socket	3
514-1571	24 Pin I.C. Solder-tail Socket	4
501-0290	MB3712 FUJITSU Audio Amp	1
501-0233	MB3713 FUJITSU Audio Amp	1
408-3007	Heat Sink Munch Mobile	2
409-1238	P.C.B. Toggle Sw.	1
501-0205	74LS273 Octal D-Type FF	9
501-0131	74LS153 Dual 4 To 1 Multiplexer	2
501-0133	74LS166 8 Bit Shift Register	4
501-0153	74LS08 Quad 2-Input And	3
501-0161	7407 Hex Buffer OC	2
501-0202	74LS245 Tristate Octal Transceiver	2
501-0141	74LS157 Quad 1 To 1 Line Multiplex	7
501-0405	2114 1k. x 4 Static Ram 300NS.	6
501-0214	74LS244 Octal Buffer/Driver	7

Con't.

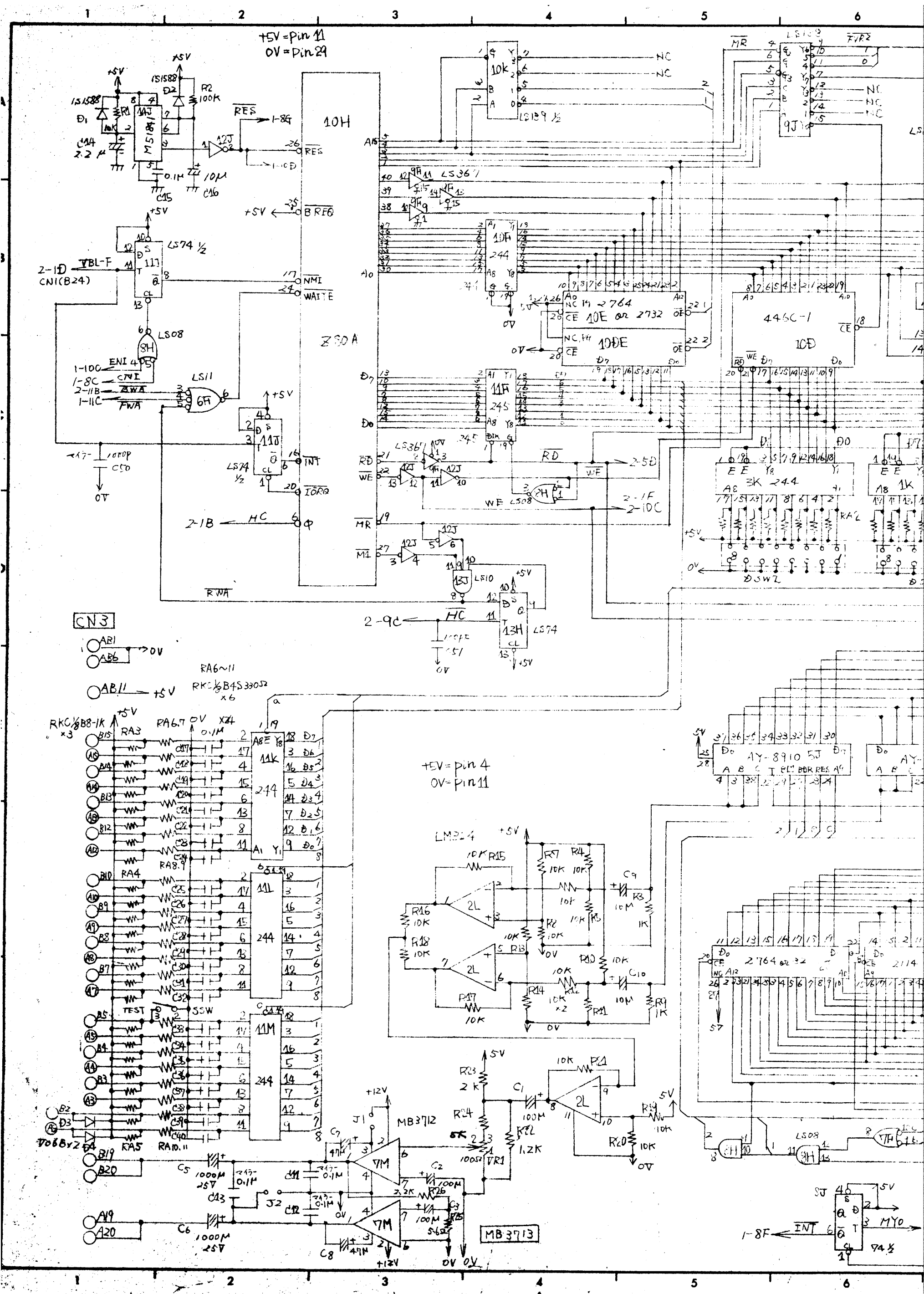
PART NUMBER:	DESCRIPTION:	QTY.:
501-0135	74LS174 Hex D-Type Flipflop	3
501-0438	MB7124E I.C.	1
501-0125	74LS86 Quad 2-Input Excl or	5
501-0112	74LS10 Triple 3-Input Nand	2
501-0108	74LS04 Hex Inverter	4
501-0121	74LS74 Dual D-Type Flipflop	4
501-0102	74LS00 Quad 2-Input Nand	3
501-0117	74LS30 8-Input Nand	1
501-0253	74LS373, Octal D-Type Latches	1
501-0207	74LS283 4 Bit Binary Full Adder	3
501-0165	74LS11 Triple 3-Input And	1
501-0176	74LS367 Hex Buffer Tristate Output	1
501-0200	74LS138 3 To 8 Line Multiplexer	2
504-1031	330 OHM 1/4W 5% 9 Pin Resis.	6
504-1024	1K OHM 1/4W 5% 9 Pin Sip	3
504-1036	4.7 K 1/4W 5% Res. Array 9 Pin	2
503-0417	10K OHM 1/4W 5% Resistor	19
503-0453	2K OHM 1/4W 5% Resistor	12
503-0436	6.8 K OHM 1/4W 5% Resistor	3
503-0413	1K OHM 1/4W 5% Resistor	5
503-0403	1.2K OHM 1/4W 5% Resistor	9
503-0406	100K OHM 1/4W 5% Resistor	1
515-0705	0.1 MFD 16V Ceramic Disc Capacitor	56
515-0748	100PFD, 50V, Disc Ceramic Cap.	1
503-0400	2.2K OHM 1/4W 5% Resistor	1
517-0765	0.1 MFD 50V Mylar Capacitor	4
517-0766	0.001 MF 50V Mylar Cap.	2

Con't.

PART NUMBER:	DESCRIPTION:	QTY.:
500-0023	2764 E Prom	4
507-0569	15 MHZ Crystal	1
514-1572	28 Pin I.C. Solder tail Socket	4
401-1379	6 Pos. Sq. Pin R. Angle Wafer	1
401-1381	60 Pos. P.C.B. Str. Header	2
515-0705	0.1 MFD 16V Ceramic Disc Capacitor	39
515-0822	270 PFD. 25V. Disc Ceramic Cap.	3
517-0766	0.001 MF 50V Mylar Cap.	1
517-0763	0.0047 MFD 25V Mylar Capacitor	1
503-0413	1K OHM 1/4W 5% Resistor	2
503-0405	4.7K OHM 1/4W 5% Resistor	2
503-0433	220 OHM 1/4W 5% Resistor	1
515-0806	10PF 50V 5% Ceramic Capacitor	1
516-0819	100 MFD 16V Radial EE Capacitor	1
515-0821	Capacitor Strip (M.M.)	2
504-1036	4.7 K 1/4W. 5% Res. Array 9 Pin	2
513-1146	A2001UC01-1 P.C.B. Card	1
514-1588	14 Pin S.I.P. Socket	2
513-1147	A2001UC03 P.C.B. Card	1
501-0446	2114A-10L Static Ram	6
501-0441	MB8416-20 (6166)	3

Con't

<u>PART NUMBER:</u>	<u>DESCRIPTION:</u>	<u>QTY.:</u>
516-0805	1000 MFD 25V Axial EE Capacitor	3
516-0819	100 MFD 16V Radial EE Capacitor	4
516-0821	47 MFD 25V Radial Electrolytic Cap.	2
516-0818	10 MFD 16V Aluminum EE Capacitor	2
510-0679	V06B DIODE	2
510-0611	1S1588 DIODE	2
401-1378	40 Pos. Str. P.C.B. Header w/Eject.	1
401-1379	6 Pos. Sq. Pin R. Angle Wager	1
519-0869	10 MFD 16V Dipped Tantalum Cap.	1
519-0859	2.2 MFD 16V Tantalum Capacitor	1
401-1380	60 Pos. P.C.B. Trans. Connector	2
513-1145	A2001UC02-1 P.C.B. Card	1
515-0821	Capacitor Strip (M.M.)	2
501-0237	AY-3-8910 P.S.G.	2
501-0190	74LS259 8-Bit Latch	1
508-0002	MB3614 Or LM324J Op-Amp.	1



+5V = Pin 11
0V = Pin 29

+5V = pin 4
0V = pin 11

CN3

AB1
AB6 → 0V

RA6~11
RK-1/2 B4S330J2 x6

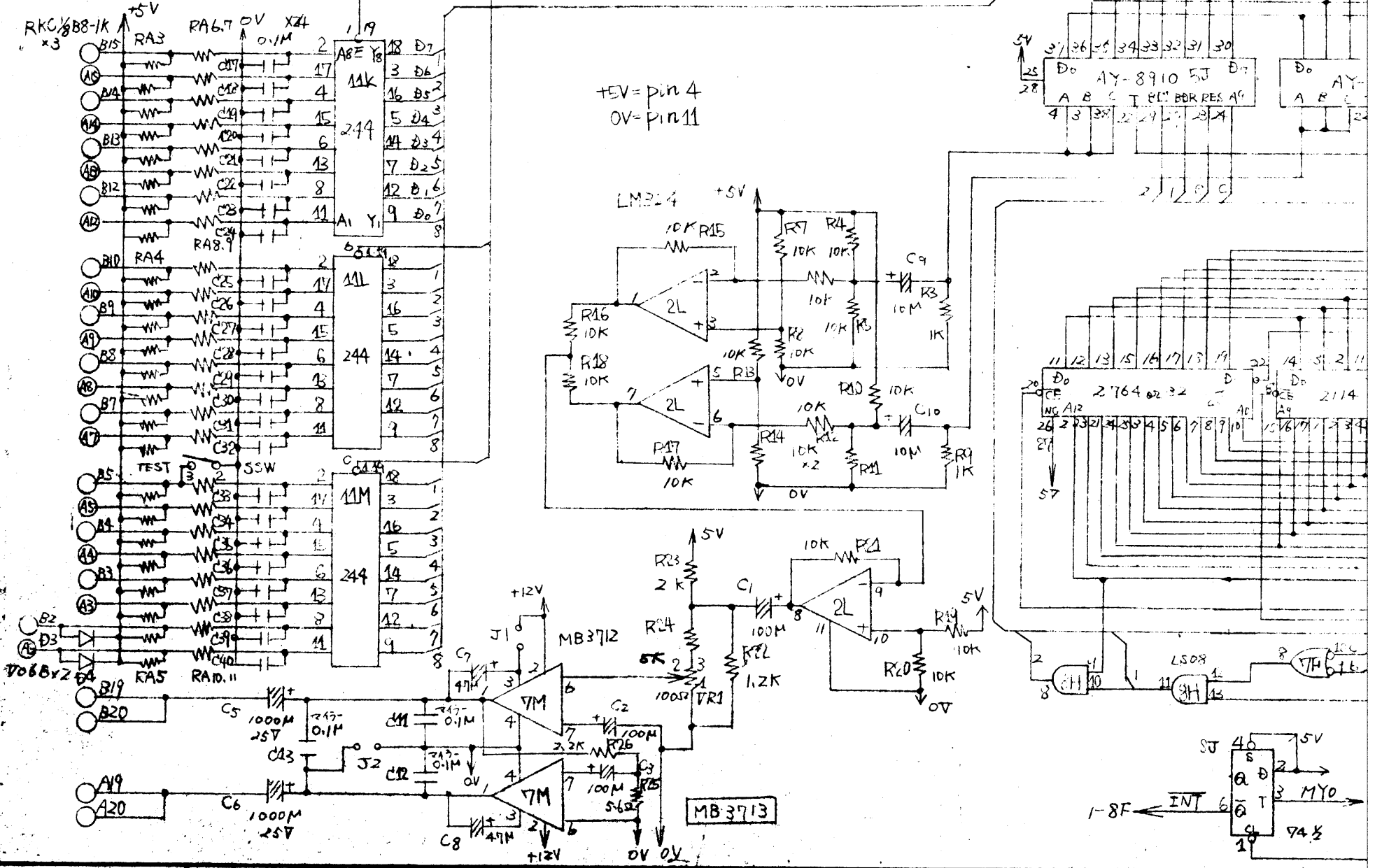
AB11 → +5V

RKC1/8 B8-1K x3

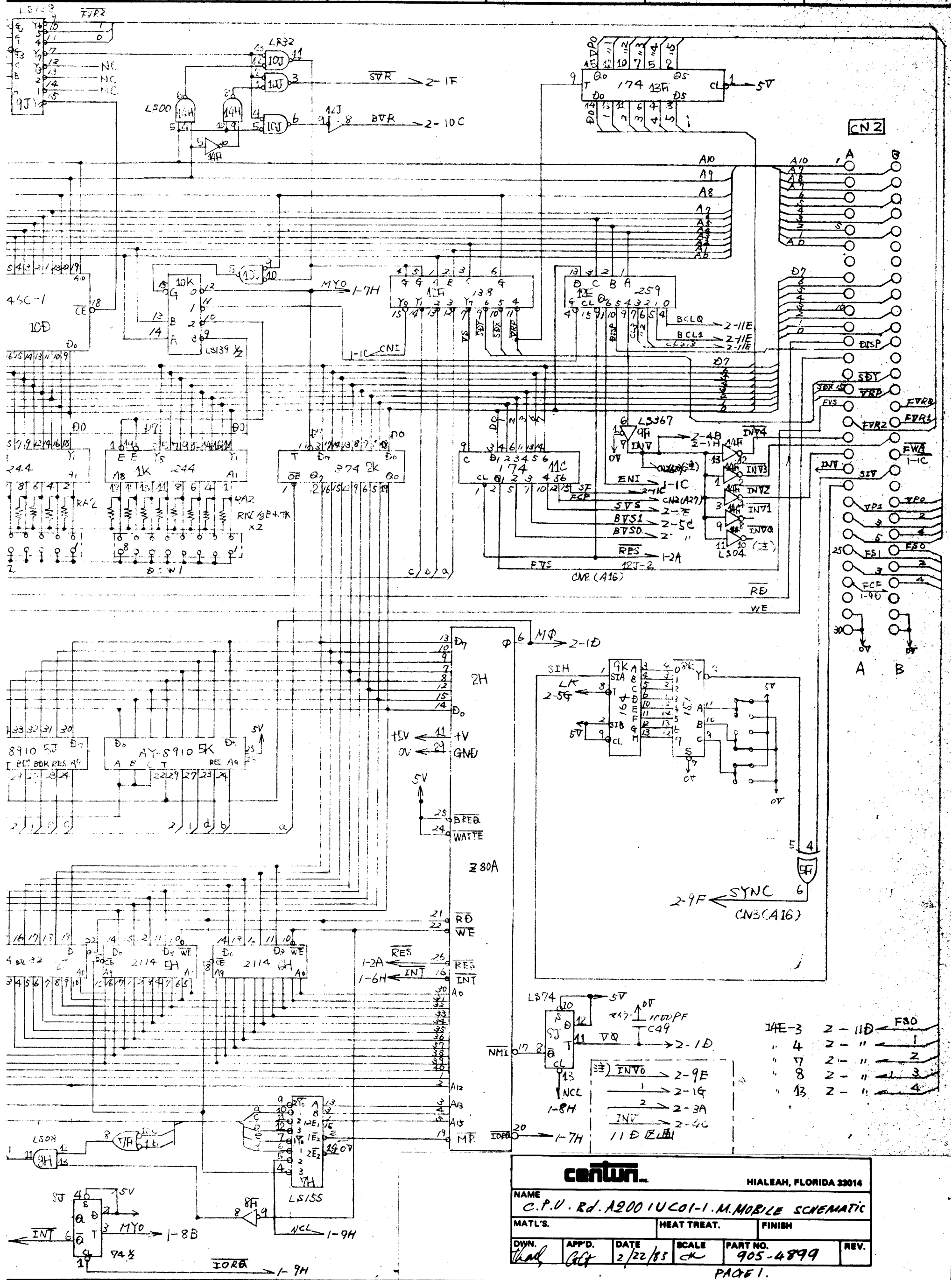
RA3
RA6.7 0V x24

5V
D0
A B C D E F
A B C D E F

AY-8910 5T
D0 D1 D2 D3 D4 D5 D6 D7
A B C D E F
A B C D E F



INT
MYO
74S



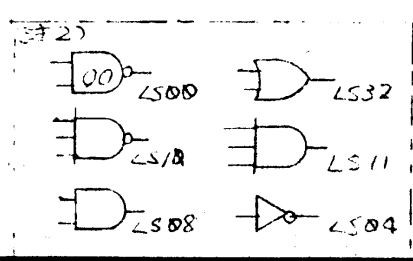
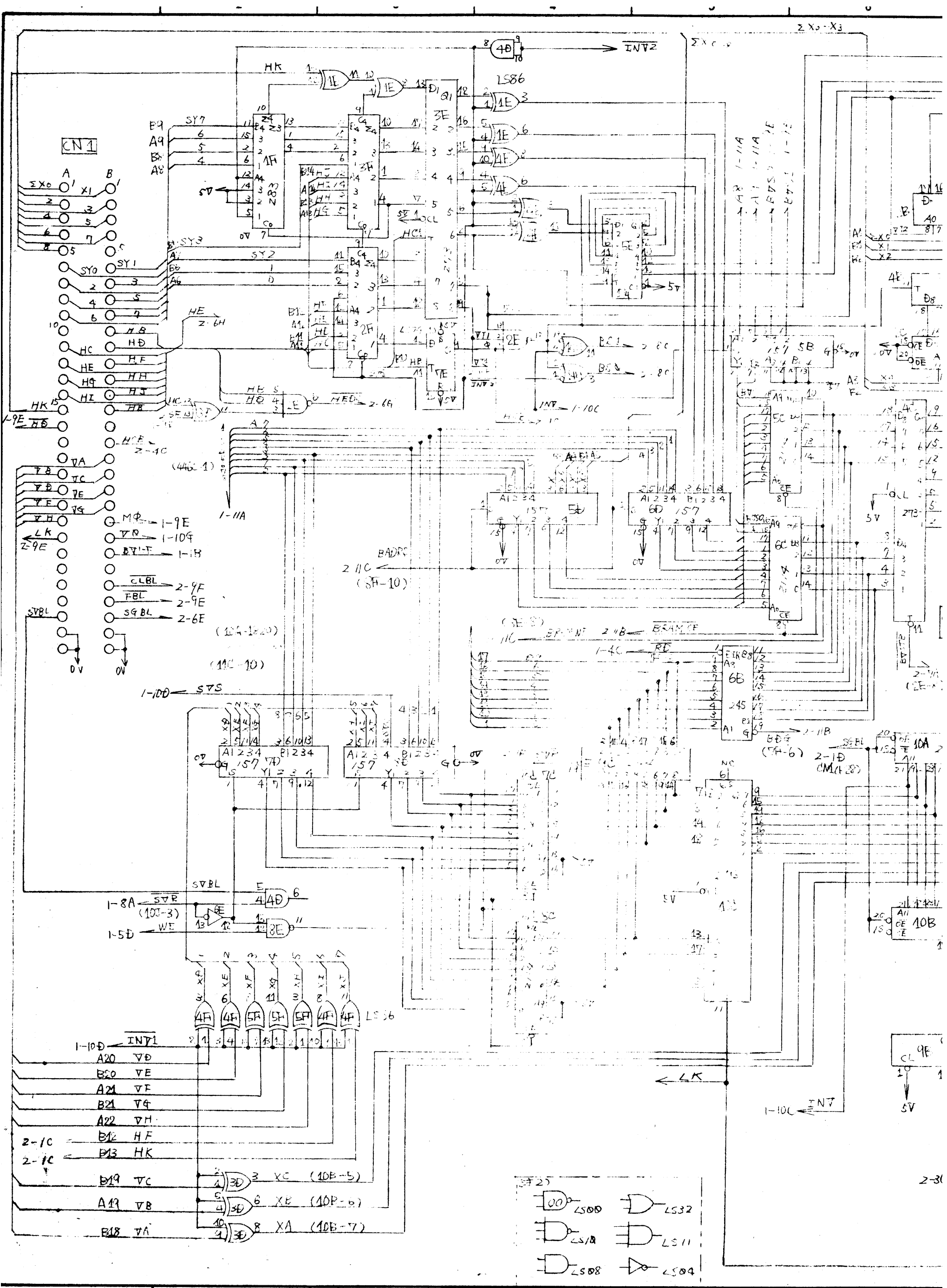
centuri HIALEAH, FLORIDA 33014

NAME: C.P.U. Rd. A200 1UC01-1.M. MOBILE SCHEMATIC

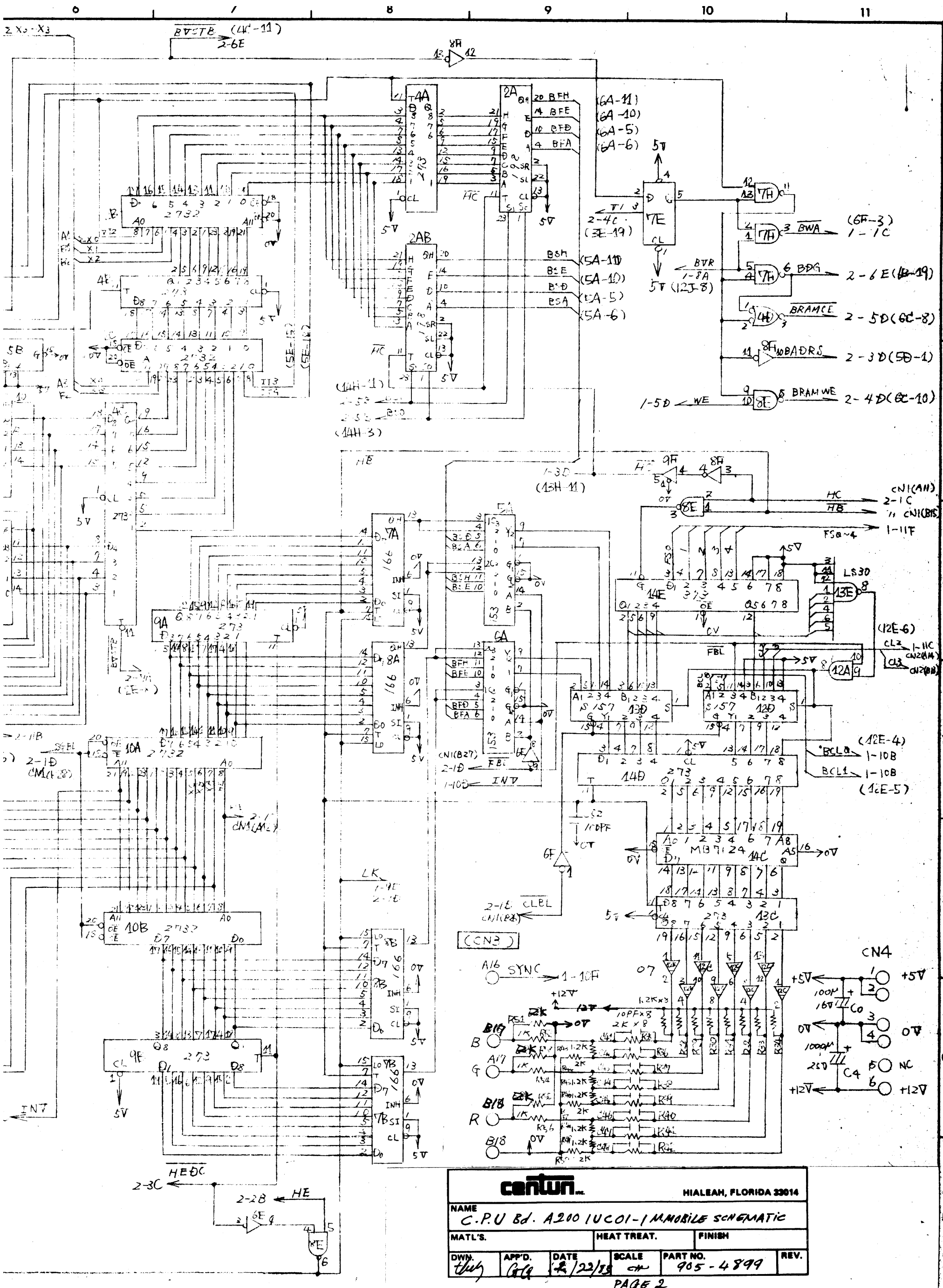
MAT'L'S. HEAT TREAT. FINISH

DWN.	APP'D.	DATE	SCALE	PART NO.	REV.
Had	GG	2/22/83	CK	905-4899	

PAGE 1.



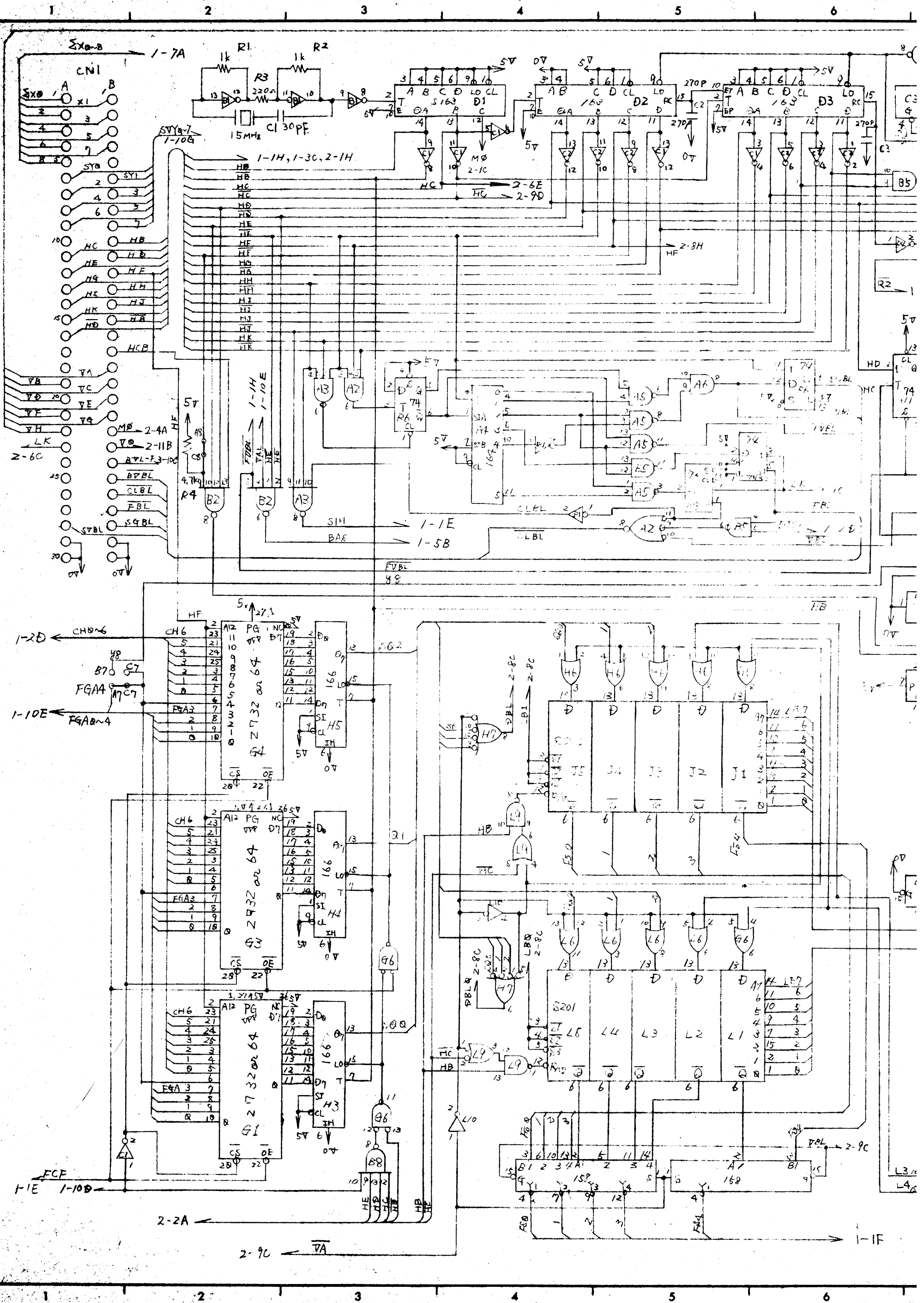
1 2 3 4 5 6

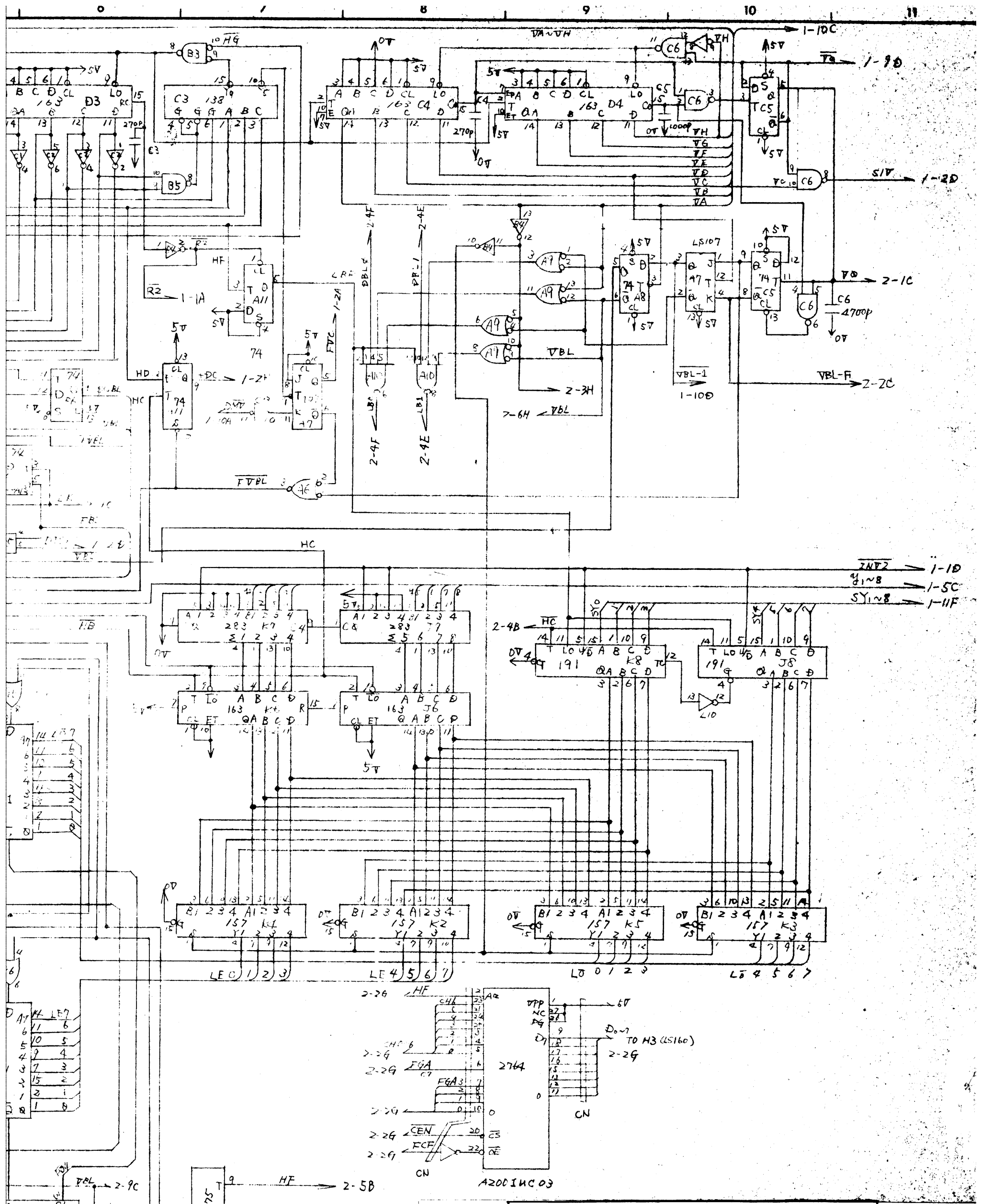


centurion HIALEAH, FLORIDA 33014

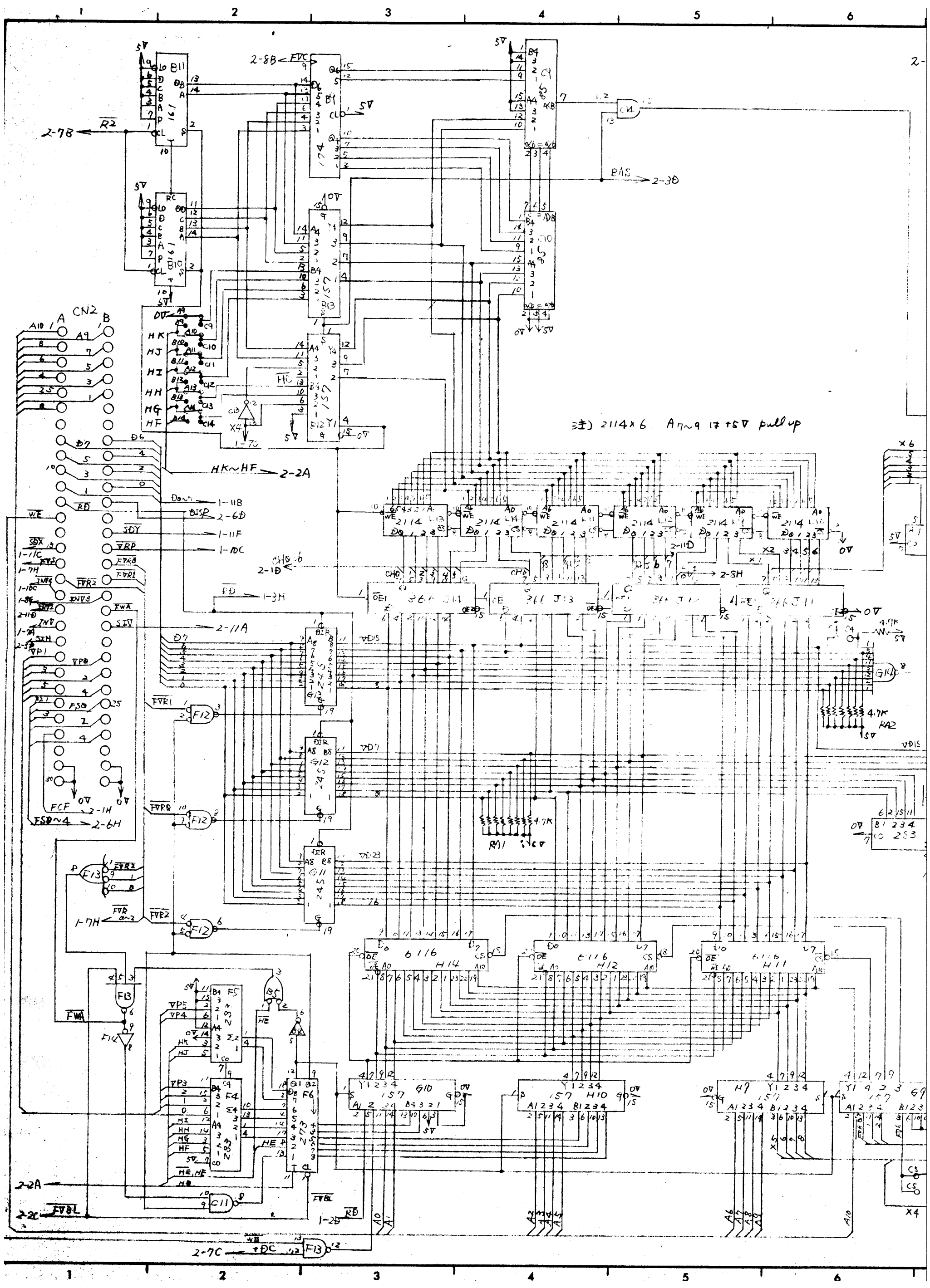
NAME C.P.U Bd. A200 IUCO1-1 MOBILE SCHEMATIC					
MATL'S.		HEAT TREAT.		FINISH	
DWN. thj	APP'D. RGA	DATE 2/22/58	SCALE CH	PART NO. 905-4899	REV.

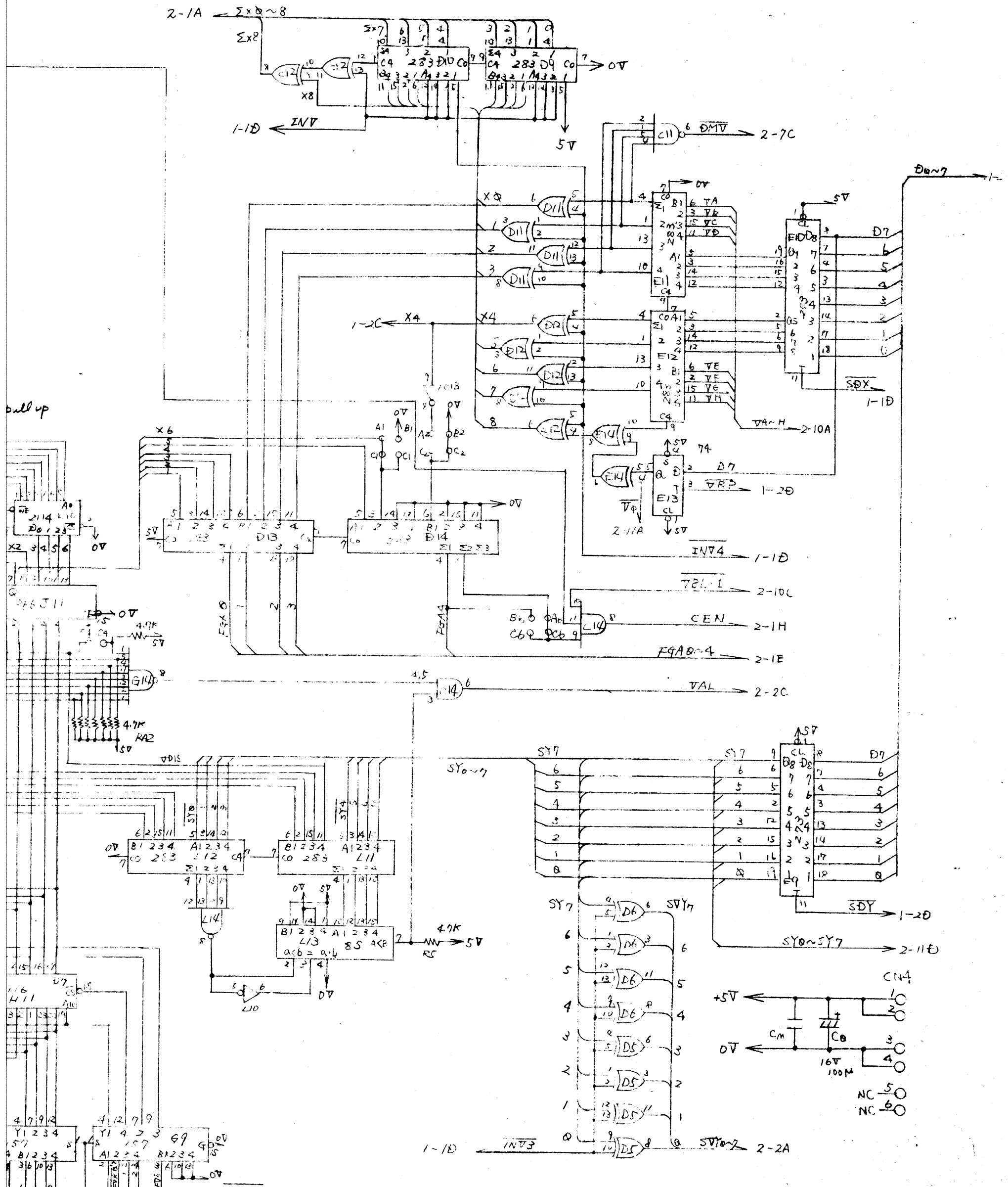
PAGE 2





centuri		HIALEAH, FLORIDA 33014	
NAME VIDIO B4. A2001UC01-1 M. MOBILE SCHEMATIC			
MAT'L'S.		HEAT TREAT.	FINISH
OWN. <i>Rob</i>	APP'D. <i>CTG</i>	DATE 2/22/83	SCALE CF
PART NO. 705-4900		REV.	





centon		HIALEAH, FLORIDA 33014	
NAME VIDEO Bd. A2001UC01-1 M. MOBILE SCHEMATIC			
MATERIALS		HEAT TREAT.	FINISH
DWN. WLA	APP'D. WLA	DATE 2/22/85	SCALE A
PART NO. 905-4900		REV.	

PAGE 2