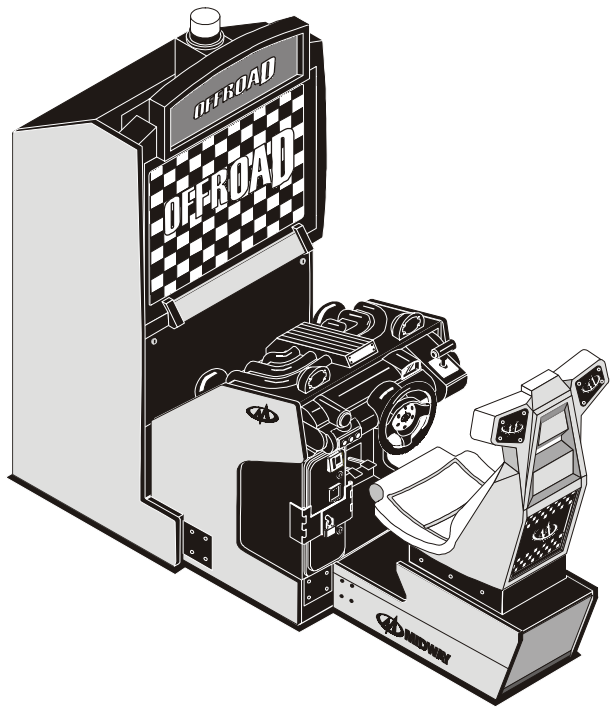


<http://www.midway.com>

OFFROAD THUNDER

Sit-In, Dedicated 39" Video Game



Manual Amendment

Make This Text Change

The following change applies to the *Offroad Thunder* 39" video game machine manual, part 16-20041-101. Please replace Step 6, on page 1-6 of your manual, with the following...

- [] 1. Fasten the cabinet joining brackets to the monitor cabinet. Mount the brackets to the cabinet with hex-head bolts from the spare parts kit. Slide a split lock washer over each bolt. Then insert the bolt through the bracket, and into the cabinet mounting hole. Tighten all the bolts. Align the dash

and monitor cabinets. Carefully slide the dash cabinet between the cabinet joining brackets. When the cabinets are flush, attach the cabinet joining brackets to the dash cabinet. If you have difficulty in mating the cabinets in this way, remove the brackets. Retain the split lock washer over each bolt. Reinsert the bolt through the bracket. Slide two flat washers over each bolt, between the monitor cabinet and bracket. Remount the brackets to the monitor cabinet. Mate the cabinets.

Add This Drawing

Here is a related drawing for Chapter 7, Parts...

