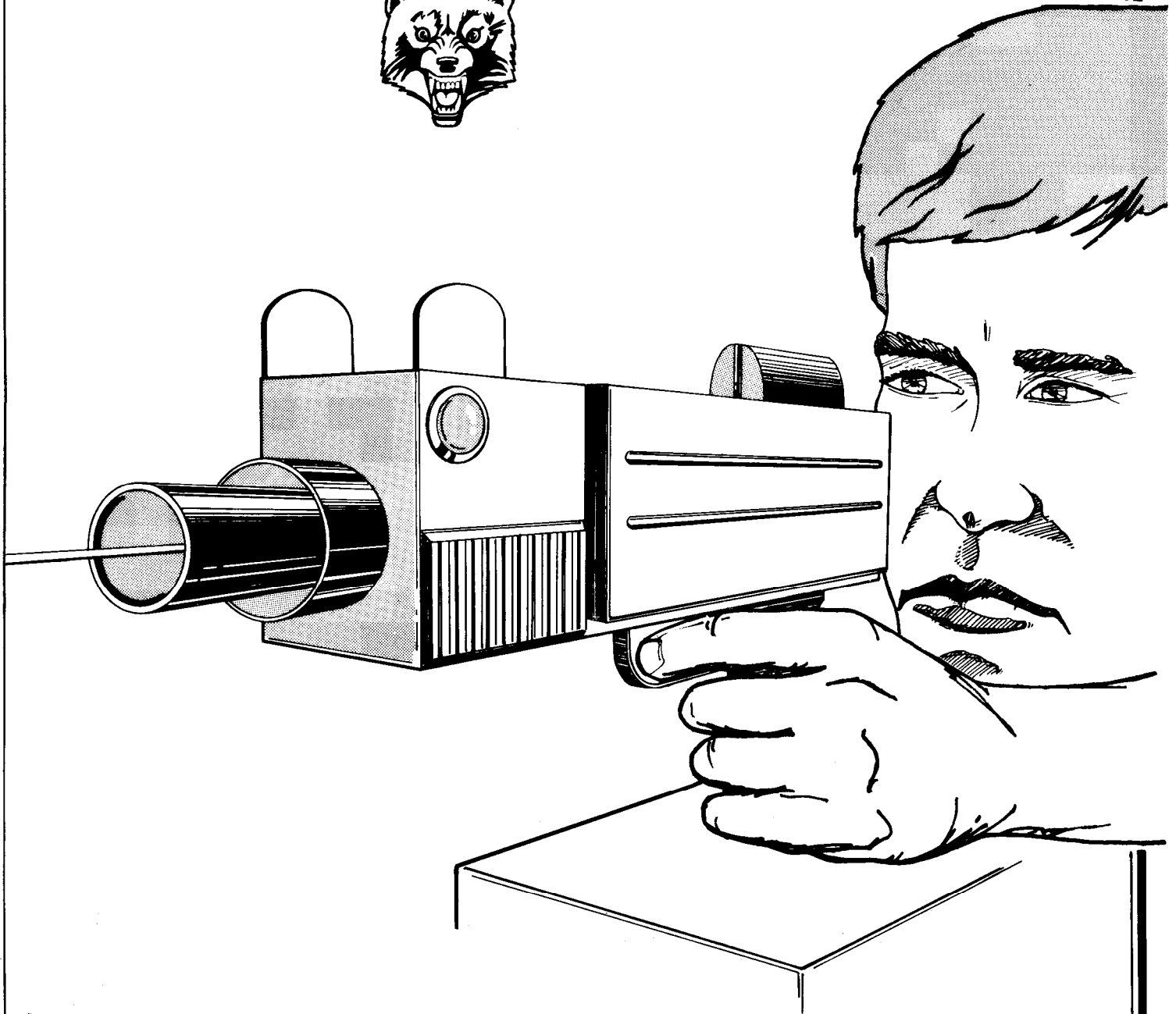
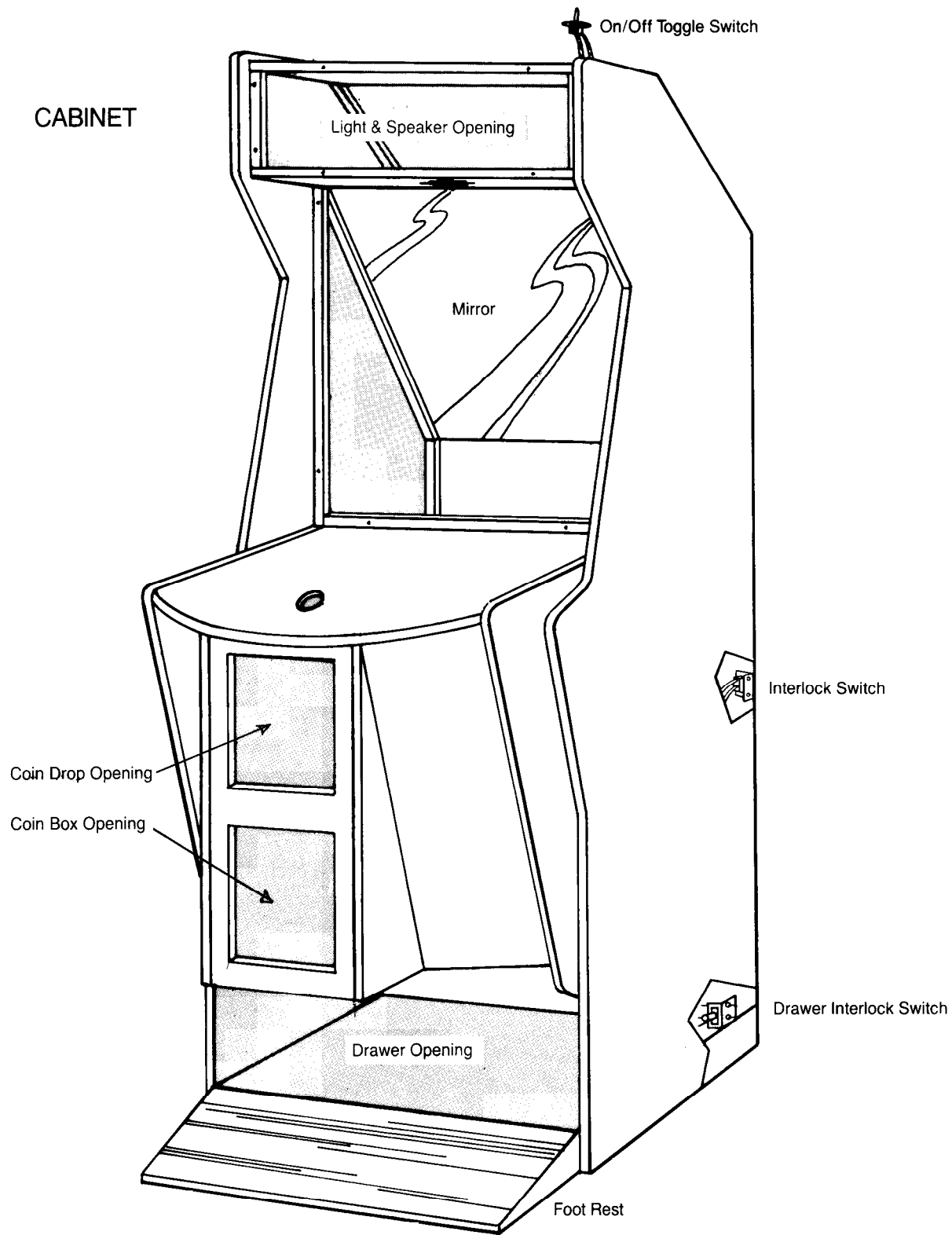


# OPERATION WOLF™



**CABINET SERVICE INSTRUCTIONS**

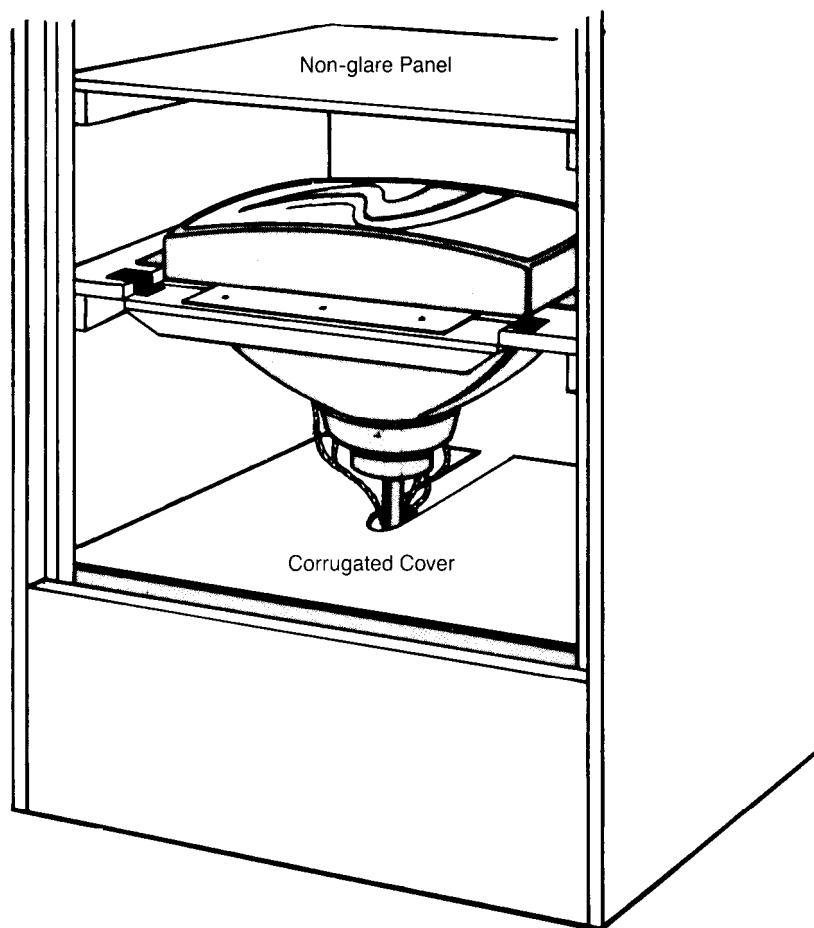


### INTERLOCK SWITCH

The Interlock switch is located inside the cabinet, mounted at the bottom of the right side panel. Its purpose is to automatically disconnect power to the game when the drawer assembly is pulled out. To return power while the drawer assembly is out, pull the white knob on the Interlock switch out. To turn off again, push in and let go. When the drawer assembly is slid back into the game, power will automatically return. A second one is used for the back panel.

## MONITOR ASSEMBLY

**REAR  
VIEW**



### MONITOR ACCESS

**NOTE:** Before beginning, switch off power via the toggle switch on top of cabinet. For access to the monitor, remove the back panel by taking out the two bolts which secure it to the cabinet. The monitor is connected to the Power Supply Assembly by a Power Connector, (1 Plug) a Signal Connector, (2 Plugs) and a Chassis Ground, (1 Wire). To remove the monitor from the cabinet, slide out the corrugated cover, and disconnect the wiring. To free the monitor, simply unscrew the bolts which hold it in place, remove the Non-glare Panel, and lift out.

### MIRROR

To remove mirror for cleaning the back panel must be off. Push mirror up, then lift up-out of slots and slide out towards you. Glass cleaner is recommended. Use no solvents.

**NOTE:** THE MIRROR IS TWO SIDED, BUT ONLY ONE SIDE CAN BE USED FACING THE PLAYER. THE GOOD SIDE WILL GIVE YOU A TRUER REFLECTION THAN THE BAD SIDE WHEN YOU PLACE YOUR FINGER ON IT.

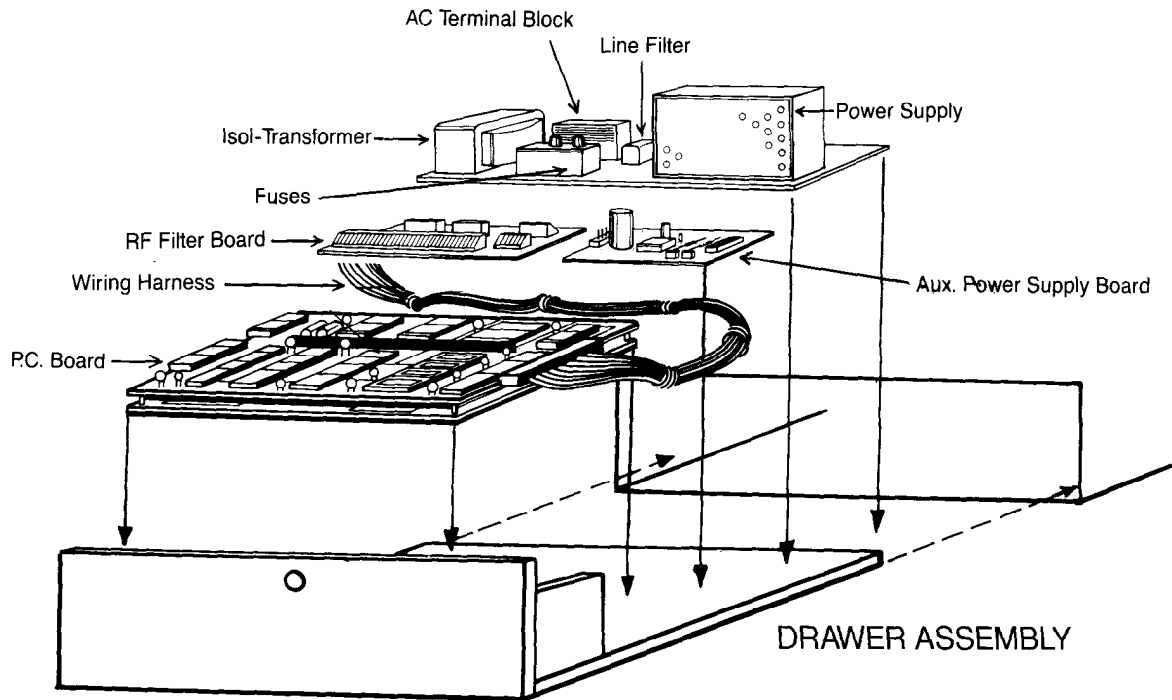
### SERVICE SWITCH & VOLUME CONTROL

The Service Switch is a yellow button, accessible through the coin drop door, and just to the left. Pushing the button adds credits to the game. For each activation, one credit is added. The game's volume control is located next to the service switch.

### LEVELERS

4 levelers are provided for the cabinet, located in a poly-bag in the coin drop box. To install, lean cabinet back and screw the two front ones into the corner T-Nuts under cabinet. Lean unit forward and repeat for the rear ones, then adjust until cabinet is level.

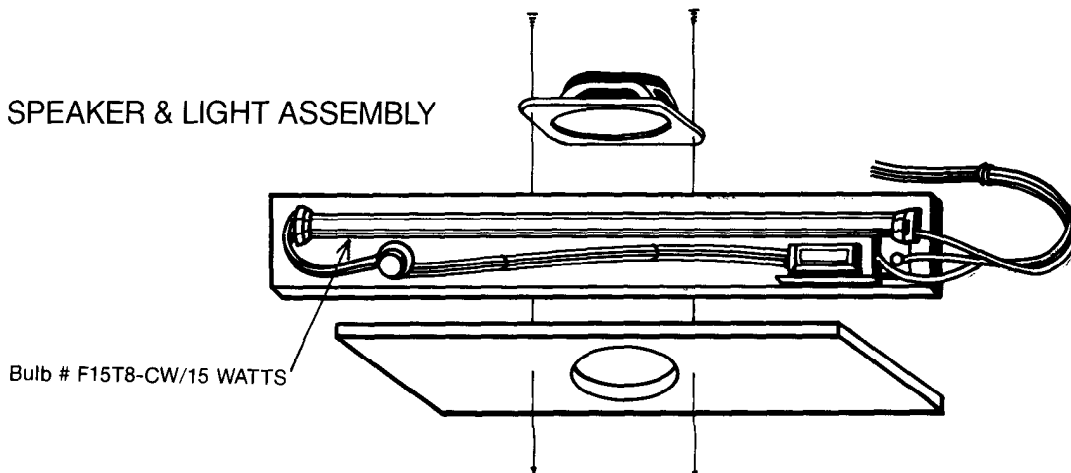
## POWER SUPPLY ASSEMBLY



### DRAWER ASSEMBLY

The Drawer Assembly is the convenient location for the units power supply and PC. Board. Located at the base of the cabinet, simply unlock, and pull out for access. The above illustration shows the required components, and their placement in the drawer.

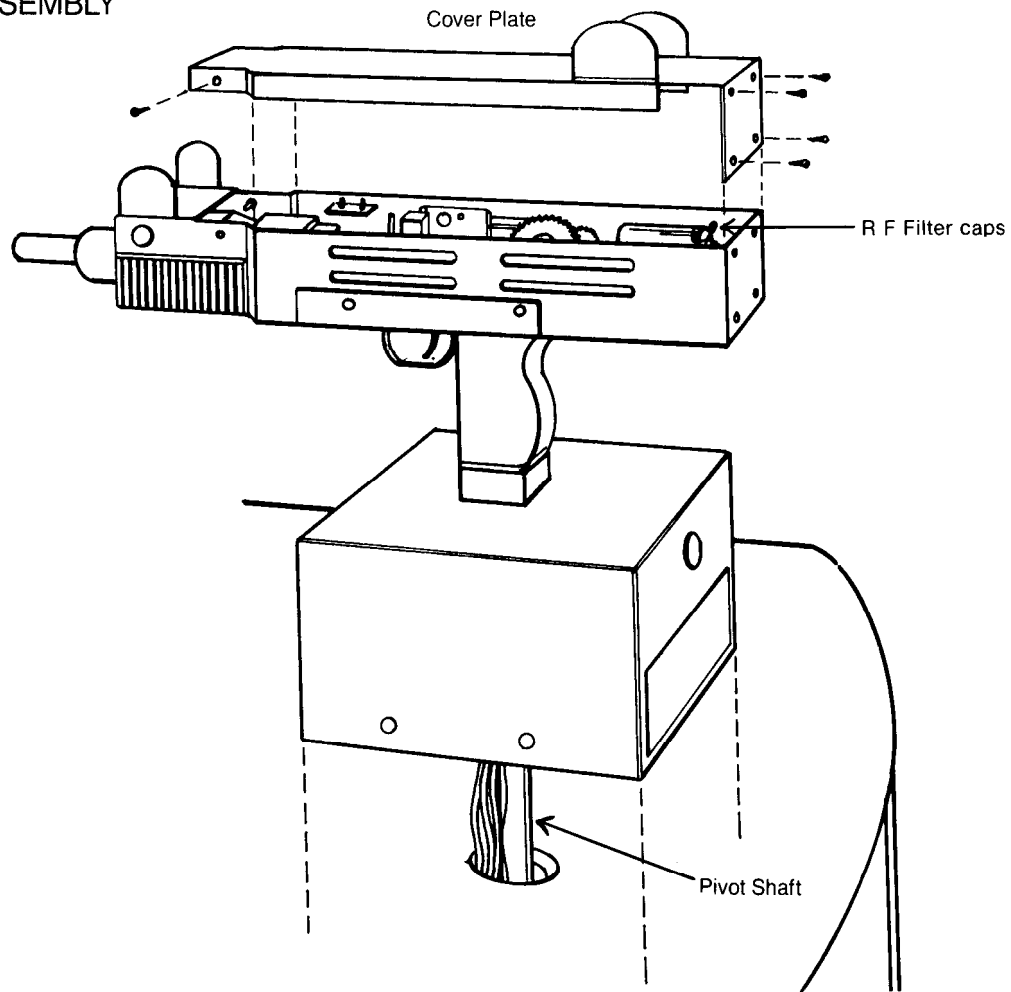
## SPEAKER & LIGHT ASSEMBLY



### SPEAKER & LIGHT ASSEMBLY

For access to the speaker & light assembly, remove the two screws located on the top of the cabinet, above the lit graphic panel. This will release the metal "L" bracket, allowing the graphic panel to be slid up and off. The light assembly is now accessible for a replacement bulb. For speaker access, remove the two screws located at each side of the bulb, and pull assembly out of cabinet. Speaker is located behind the bulb. To disconnect entire assembly, unplug the power, and speaker lead wires, then remove ground wire.

## GUN ASSEMBLY



### GUN WIRING & MECHANICS ACCESS

For access to gun mechanics, take off the cover plate by removing the six screws that fasten it. For removal of gun assembly from cabinet, open the coin drop door and remove the lock nut located at the end of the pivot shaft. Next, disconnect the wiring via the connector plug. Gun assembly can now be pulled up and out of cabinet.

Do not remove the R F Filter caps from the gun. FCC regulations require they be used.



**TAITO AMERICA CORPORATION**  
660 S. Wheeling Road, Wheeling, IL 60090  
Telephone (312) 520-9280 Telex 253290