

1ST US PRINTING—JN

# SEGA

# *Out Runners*

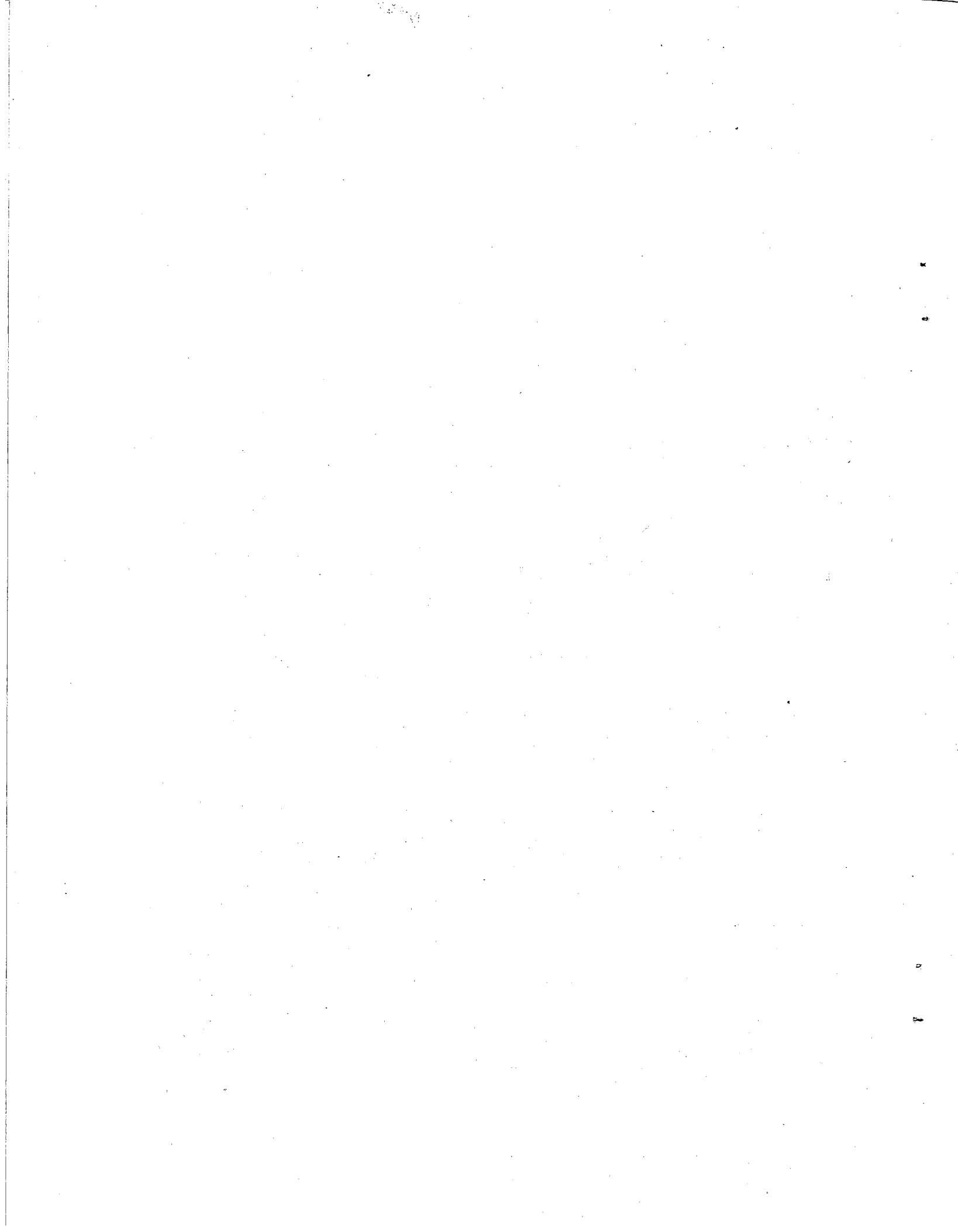
**OWNER'S MANUAL**



**SEGA ENTERPRISES, INC. USA**

MANUAL NO. 4201-6079-01





## TABLE OF CONTENTS

|  |       |
|--|-------|
| INTRODUCTION OF THE OWNER'S MANUAL                     |       |
| 1. HANDLING PRECAUTIONS .....                          | 1     |
| 2. PREVENTION OF COUNTERFEITING AND CONVERSION .....   | 2     |
| 3. PRECAUTIONS CONCERNING INSTALLATION LOCATION .....  | 3     |
| 4. NAME OF PARTS .....                                 | 4     |
| 5. ACCESSORIES .....                                   | 5     |
| 6. METHOD OF INSTALLATION AND ASSEMBLY .....           | 6~7   |
| 7. HOW TO PLAY .....                                   | 8~9   |
| 8. EXPLANATION OF TEST AND DATA DISPLAY .....          | 10~27 |
| 8-1 SWITCH UNIT .....                                  | 11    |
| 8-2 TEST MODE .....                                    | 12    |
| 8-3 MEMORY TEST .....                                  | 13    |
| 8-4 VOLUME ADJUSTMENT .....                            | 14~15 |
| 8-5 INPUT TEST .....                                   | 16    |
| 8-6 OUTPUT TEST .....                                  | 17    |
| 8-7 SOUND TEST .....                                   | 17    |
| 8-8 C. R. T. TEST .....                                | 18    |
| 8-9 GAME ASSIGNMENTS .....                             | 19    |
| 8-10 COIN ASSIGNMENTS .....                            | 20~23 |
| 8-11 NETWORK ASSIGNMENTS .....                         | 24    |
| 8-12 BOOKKEEPING .....                                 | 25~26 |
| 8-13 BACKUP DATA CLEAR .....                           | 27    |
| 9. ACCEL. & BRAKE .....                                | 28~29 |
| 9-1 TAKING OUT THE ACCEL. & BRAKE .....                | 28    |
| 9-2 ADJUSTMENT AND REPLACEMENT OF VOLUME .....         | 28~29 |
| 9-3 GREASING .....                                     | 29    |
| 10. CONTROL PANEL .....                                | 30~34 |
| 10-1 REMOVING THE CONTROL PANEL .....                  | 30    |
| 10-2 NAME OF THE CONTROL PANEL .....                   | 31    |
| 10-3 ADJUSTMENT AND REPLACEMENT OF VOLUME .....        | 32~33 |
| 10-4 REPLACEMENT MOTOR BRUSH .....                     | 33    |
| 10-5 GREASING .....                                    | 34    |
| 11. REPLACING THE FLUORESCENT LAMPS, AND LAMPS .....   | 35    |
| 12. EXPLANATION OF COIN SELECTOR .....                 | 36    |
| 13. MONITOR ADJUSTMENTS .....                          | 37    |
| 14. PERIODIC INSPECTION TABLE .....                    | 38    |
| 15. TROUBLESHOOTING .....                              | 39~40 |
| 16. COMMUNICATIONS PLAY .....                          | 41~45 |
| 16-1 INSTALLATION PRECAUTIONS .....                    | 41    |
| 16-2 COMMUNICATIONS CABLE CONNECTION .....             | 41~43 |
| 16-3 SETTING FOR COMMUNICATIONS PLAY .....             | 44    |
| 16-4 SETTING THE GAME DIFFICULTY .....                 | 44    |
| 16-5 CAUTIONS TO BE HEEDED WHEN IN THE TEST MODE ..... | 44    |
| 16-6 APPLICATION OF SEAT NO. DISPLAY STICKERS .....    | 44    |
| 17. GAME BOARD .....                                   | 46~48 |
| 17-1 COMPOSITION OF GAME BOARD .....                   | 46    |
| 17-2 INPUT AND OUTPUT .....                            | 47~48 |
| 18. DESIGN RELATED PARTS .....                         | 49~50 |
| 19. PARTS LIST .....                                   | 51~88 |
| 20. WIRE COLOR CODE TABLE .....                        | 89    |
| 21. WIRING DIAGRAM .....                               | 90~91 |

### SPECIFICATIONS

|                        |   |
|------------------------|---|
| Installation space     | : 1,710 mm (67.3 in.) (D) × 1,254 mm (49.4 in.) (W) |
| Height                 | : 1,960 mm (77.2 in.)                               |
| Weight                 | : Approx. 329 kg. (724 lbs.)                        |
| Power, Maximum current | : 450W 3.99A (AC 120V 60 Hz AREA)                   |
| CRT                    | : TWO 26 INCH MONITORS                              |

NOTE: Descriptions in this manual are subject to change without prior notice.

## INTRODUCTION OF THE OWNER'S MANUAL

SEGA ENTERPRISES, LTD., supported by its high electronic technology of LSIs, microprocessors, etc. and a wealth of experience, has for more than 30 years been supplying various innovative and popular game machines to the world market. This Owner's Manual is intended to provide detailed descriptions together with all the necessary information covering the general operation of electronic assemblies, electromechanicals, servicing control, spare parts, etc. as regards OutRunners, a new SEGA product .

This manual is intended for those who have knowledge of electricity and technical expertise especially in ICs, CRTs, microprocessors, etc. Carefully read this manual to acquire sufficient knowledge before working on the machine. Should there be a malfunction, non-technical personnel should under no circumstances touch the interior system. Should such a case arise, contact our Customer Service Office at the following location:

SEGA ENTERPRISES, INC. (U.S.A.)/CUSTOMER SERVICE  
275 Shoreline Drive, Suite 201, Redwood City, CA 94605 USA  
Phone : (415) 802-1750  
Fax : (415) 802-1754



## 1. HANDLING PRECAUTIONS

When installing or inspecting the machine, be very careful of the following points and pay attention to ensure that the player can enjoy the game safely.

- Be sure to turn the power off before working on the machine.
- To insert or pull out the plug quickly is dangerous.
- It is necessary to make sure that the power cord or the grounding wire is not exposed on the road, etc. in a manner so as to be dangerous. Make sure that grounding connections are made safely at the position where so specified.
- Do not use any fuse that does not meet specified rating.
- Make complete connections for the IC board and other connectors. Insufficient insertion is very dangerous.
- The operating (ambient) temperature range is from 5°C to 40°C.
- When cleaning the CRT surfaces, use a soft, dry cloth. Do not apply chemicals such as thinner, benzine, etc.

Also, for the IC board circuit inspections, only the logic tester is allowed. The use of a tester is not permitted, so be careful in this regard.

After confirming that there are no irregularities, turn the power ON.

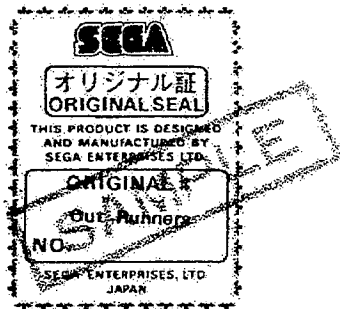
## 2. PREVENTION OF COUNTERFEITING AND CONVERSION

### LABELLING

To prevent counterfeits and conversions, the following labels are put on all the SEGA products. When handling such goods, be sure to confirm the labels. They are used to prevent illegal acts such as the unauthorized copying of the products and the printed circuit boards thereof or carrying on business by manufacturing similar merchandise or by converting, selling or using such products or printed circuit boards.

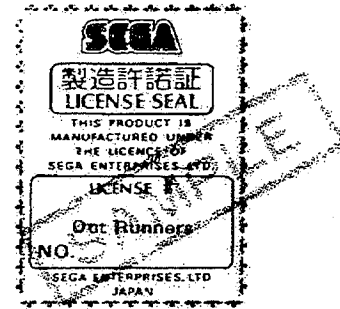
#### ORIGINAL SEAL

The following seal is put on the machines manufactured by SEGA.



#### LICENSE SEAL

The following seal is put on all SEGA kits, such as the printed circuit boards.



### COPYRIGHT NOTICE

This SEGA product has the copyright notice as follows:

© SEGA 1992

This signifies that this work was disclosed in 1992 and is the property of SEGA ENTERPRISES, LTD.



### 3. PRECAUTIONS CONCERNING INSTALLATION LOCATION

The OutRunners is an indoor game machine. Absolutely do not install it outside. Even indoors, avoid installing in places mentioned below so as to ensure proper usage:

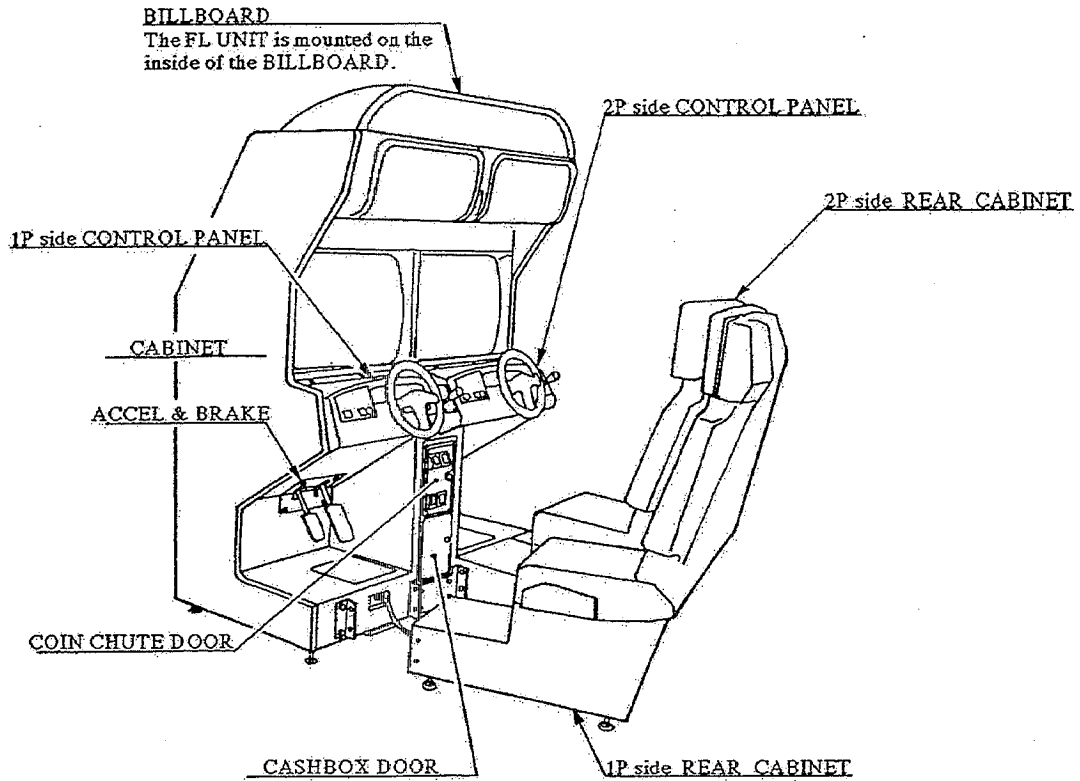
- Places subject to rain or water leakage, or condensation due to humidity.
- In the proximity of an indoor swimming pool and/or shower.
- Places subject to direct sunlight.
- Places subject to heat sources from heating units, etc., or hot air.
- Vicinity of highly inflammable/volatile chemicals or hazardous matter.
- Sloped surfaces.
- Vicinity of anti-disaster facilities such as fire exits and fire extinguishers.
- Places subject to any type of violent impact.
- Dusty places.

#### INSTALLATION PRECAUTIONS

- 1) Do not insert more than one electrical plug into the power plug socket.
- 2) The per unit standard voltage/amperage is 100~120V/10A and 200~240V/5A.
- 3) If an extension cord is to be used, use a cord of 10A or higher rating.

Electric Current Consumption  
MAX. 3.99A (AC 120V 60 Hz)

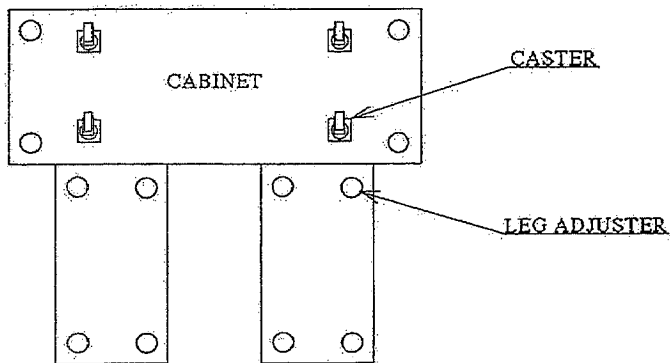
#### 4. NAME OF PARTS



Note: The ACCELERATOR is hereinafter referred to as "ACCEL."

#### Dimensions and Weight

|                              | WIDTH    | DEPTH    | HEIGHT (mm) | Weight (kg) |
|------------------------------|----------|----------|-------------|-------------|
| CABINET                      | 1, 254 × | 910 ×    | 1, 820      | Approx 265  |
| REAR CABINET (one side only) | 404 ×    | 1, 010 × | 1, 280      | Approx 28   |
| FL UNIT                      | 1, 212 × | 120 ×    | 195         | Approx 4    |
| BILLBOARD                    | 1, 222 × | 233 ×    | 458         | Approx 4    |
| COMPLETE CABINET             | 1, 254 × | 1, 710 × | 1, 960      | Approx 329  |



BOTTOM VIEW



## 5. ACCESSORIES

| PART No.        | Qty. | DESCRIPTION  | REMARKS  |
|-----------------|------|--|--|
| 999-0176        |      | STICKER SEAT ZEICHEN NO.1,2                        | Refer to Section 6.                              |
| "               |      | STICKER SEAT ZEICHEN NO.3,4                        | For communications play,<br>refer to Section 16. |
| "               |      | STICKER SEAT ZEICHEN NO.5,6                        |  |
| "               |      | STICKER SEAT ZEICHEN NO.7,8                        |  |
| "               |      | STICKER CONT ZEICHEN                               | Refer to Section 6.                              |
| INST NO. 592-01 |      | INSTAL INSTR OUTRUNNERS ENG                        |  |
| 220-5130        |      | VOL CONT B-5K OHM                                  | For spare, refer to Section 9,10.                |
| 220-5381        |      | MASTER KEY   | For opening/closing the doors                    |
|                 |      | KEY  | For the CASHBOX DOOR                             |
| 280-5132        |      | TUBE HOLDER  | For communications play,<br>refer to Section 16. |
| 280-5224        |      | PROTECT TUBE 1200                                  |  |
| 390-5346        |      | LAMP WEDGE BASE                                    | For spare, refer to Section 11.                  |
| 4201-6079-01    |      | OWNERS MANUAL OUTRUNNERS ENG                       | OUTRUNNERS OWNER'S MANUAL, ENG.                  |
| 514-5037-6000   |      | FUSE 6.4 $\phi$ X30 5A 250V                        | AC 120V AREA                                     |
| 540-0006-01     |      | WRENCH FOR TAMP PRF SCR DUAL TYPE M4               | Tool   |
| 540-0007-01     |      | WRENCH FOR TAMP PRF SCR DUAL TYPE M5               |  |
| 540-0015-01     |      | WRENCH FOR TAMP PRF SCR DUAL TYPE $\frac{5}{16}$ " |  |
| 600-6047-07     |      | ASSY FIBER CABLE 07 MB                             | For communications play.                         |

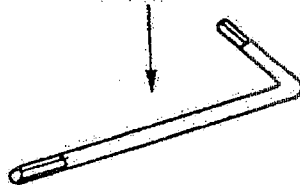
### TOOL

(TAMPERPROOF WRENCH)

M4 540-0006-01

M5 540-0007-01

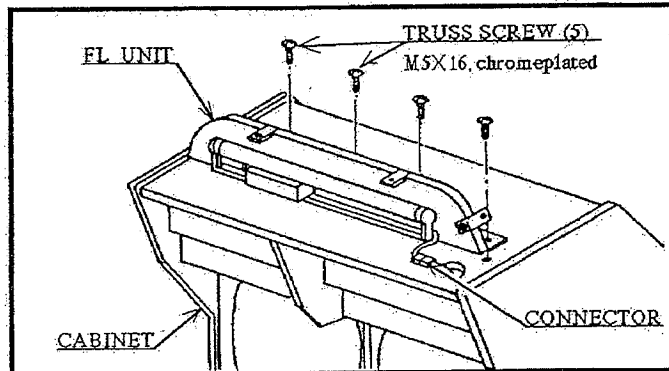
$\frac{5}{16}$ " 540-0015-01



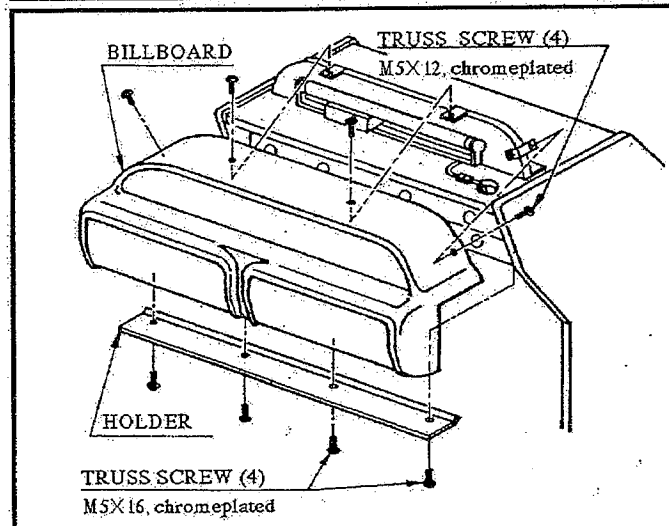
## 6. METHOD OF INSTALLATION AND ASSEMBLY

- Until the assembly work is finished, do not insert the power plug into the plug socket.
- Normally, work up to the following two items is finished. In the case where the machine is transported by removing the BILLBOARD and FL UNIT when the height of the entrance leading to the installation place is too low for the machine to pass, follow the procedure below starting from Item 1.

- ① **FL UNIT**  
Mount the FL UNIT onto the CABINET and secure it with 5 screws. Then, connect the CONNECTOR.



- ② **BILLBOARD**  
Install the BILLBOARD from over the FL UNIT by securing it with a total of 8 screws. The upper and lower screws are different in length. Therefore, pay attention to this point. Make sure that the HOLDER is installed in the direction as shown.

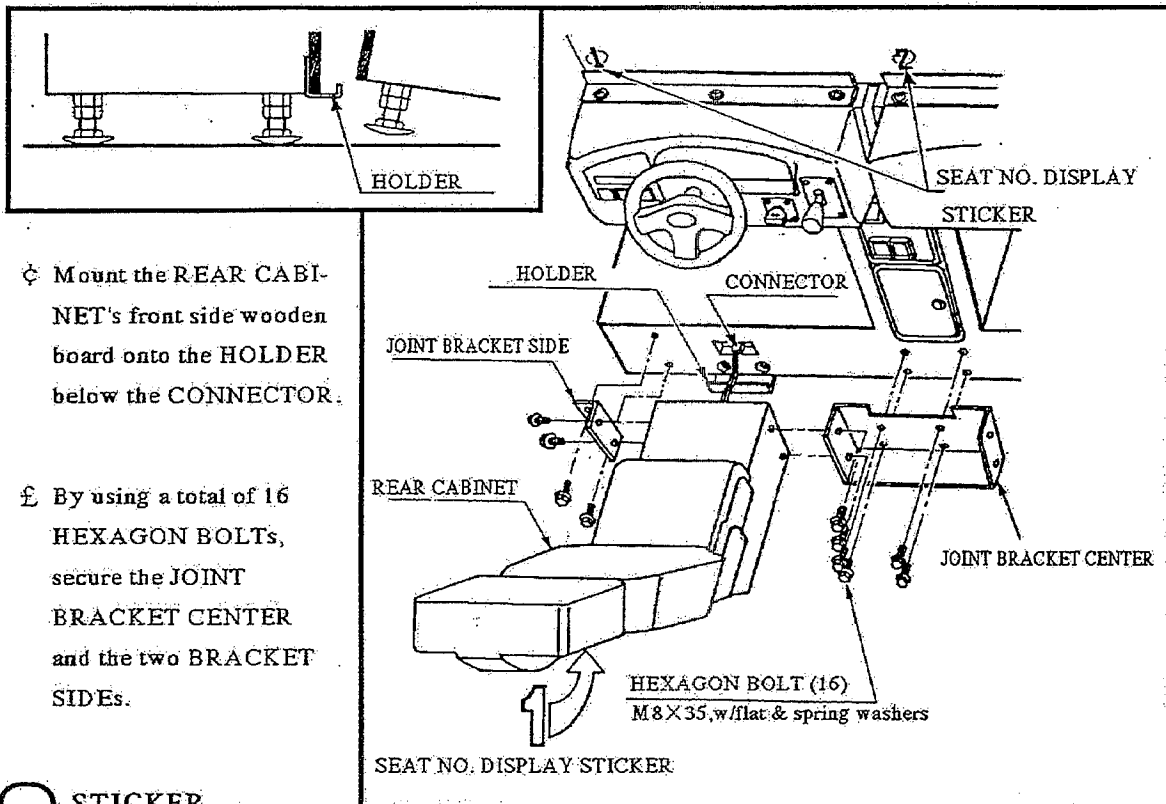


- ③ **REAR CABINET 1P/2P**

When performing the work as per 4 below, be careful not to catch your hand or fingers.

- I Place the CABINET in an appropriate position. At this time, moving the machine may be difficult if the REAR CABINET is attached to the CABINET.
- II Cause the REAR CABINET to come close to the CABINET at a position approx. 15 cm to it. REAR CABINET 1P (red) should be on the left-hand side and REAR CABINET 2P (blue) should be on the right-hand side.
- III Insert the CONNECTOR into the corresponding one (secured) on the CABINET front part. Push the cords' extra portions into the CABINET.





☞ Mount the REAR CABINET's front side wooden board onto the HOLDER below the CONNECTOR.

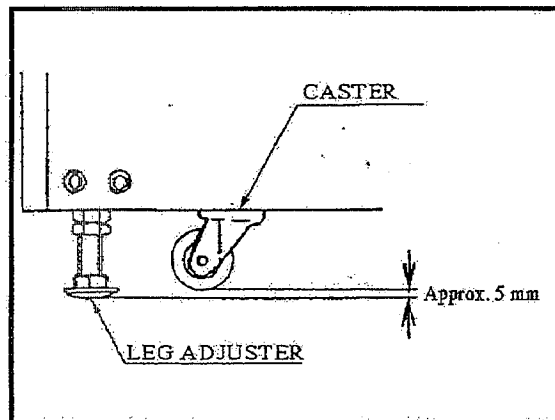
£ By using a total of 16 HEXAGON BOLTS, secure the JOINT BRACKET CENTER and the two BRACKET SIDES.

#### 4 STICKER

Apply the SEAT NO. DISPLAY STICKER to the FRONT GLASS and REAR CABINET.

#### 5 ADJUSTING THE LEG ADJUSTER

The OUTFRINNERS has four CASTERs and twelve LEG ADJUSTERS. Cause the LEG ADJUSTERS to come into contact with the floor, and secure the machine in place. Make adjustments in the height of the LEG ADJUSTERS in a manner so that the CASTERs will be raised approximately 5 mm. from the floor level, and secure the ADJUSTERS' height by fastening the NUTS. (If the gap is less than 5 mm, the machine may move while the game is being played and become dangerous.)

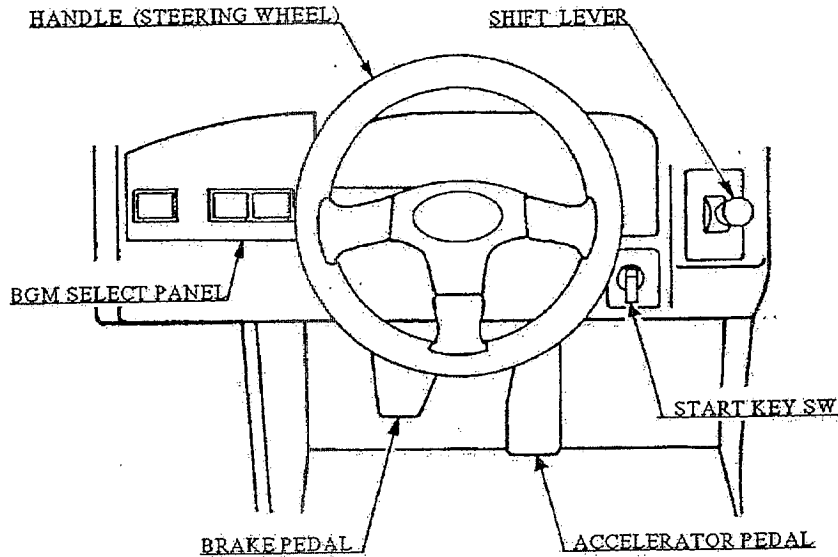


● After the above work, refer to Section 8 to check each part.

#### WHEN TRANSPORTING THE MACHINE:

When moving the machine, be sure to separate the CABINET and the REAR CABINET. Transporting the machine without separating them may cause the joint portion to be damaged. When moving the CABINET, retract the LEG ADJUSTERS to cause the CASTERs to make contact with the floor. Also, in the case where there are differences in floor levels, transport the CABINET by holding the catches on both sides of the CABINET and lifting it up.

## 7. HOW TO PLAY



Insert a coin(s) and turn the START KEY SW to the right.

Select the desired car out of the 8 different types by turning the HANDLE and make the selection effective by stepping on the ACCELERATOR.

For each car, select the desired SHIFT TYPE (AUTO or MANUAL) by turning the HANDLE and make the selection effective by stepping on the ACCELERATOR.

Now, you are ready for GAME START. In the case of COMMUNICATIONS PLAY, those players who turned the START KEY SW within a limited time are allowed to participate in the same race.

A CHECK POINT sign board appears in between stages. Passing this point within the limited time allows the game time to be extended, enabling you to continue playing.

At the CHECK POINT, you can choose the next course by passing either left or right side of the personnel standing in the middle of the road under the sign board. In the case of COMMUNICATIONS PLAY, the leading car determines the next course and all other cars are required to take the same course chosen by the leading car.

While driving on the course, when the time is up, the game is over.

Reaching the finishing line within the limited time, you are successful. There are 10 finishing lines in total, each having a different ending scene.

The best time player per finishing line is allowed to enter his name as OutRunner of OutRunners.

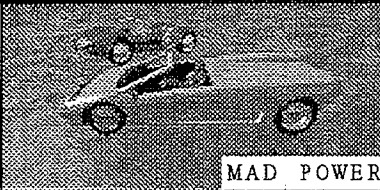

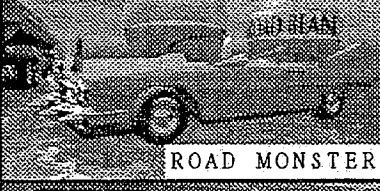

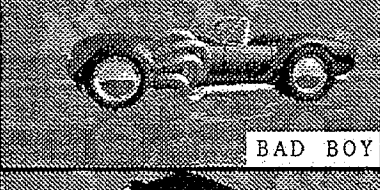

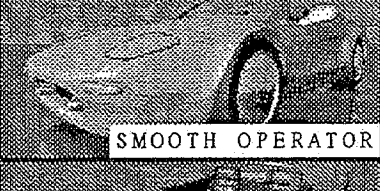
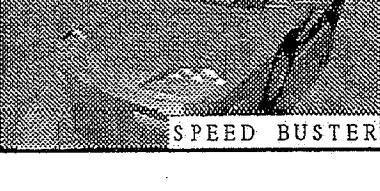
⑩ The map display enables the player to recognize his final destination and his course.

During game play, by operating the BGM SELECT PANEL SWes, various background music can be selected.



○ KNACK OF HOW-TO-PLAY

To win a race, you should thoroughly understand the characteristics of each car. Furthermore, to make sure that you win, choose a course in a manner so as to fully utilize the car's characteristics.

| COLOR AND NAME OF CAR |  | ADVANTAGES  | DISADVANTAGES   | AUTOMATIC<br>/<br>MANUAL   |
|-----------------------|--|---|---|----------------------------|
| YELLOW                | <br>MAD POWER         | Its max speed is of top class. Being large-sized, it is quite resistible against shock.   | At a curve, it goes off outward and keeps slipping.                     | AUTOMATIC<br>/<br>6 SHIFTS |
| BLUE                  | <br>EASY HANDLING     | No special advantages and disadvantages (the easiest one to handle).  |   | AUTOMATIC<br>/<br>5 SHIFTS |
| PINK                  | <br>ROAD MONSTER      | Being the largest of all, it is most resistible against shock.  | Its speed is quite slow. Its acceleration and maneuverability are poor. | AUTOMATIC<br>/<br>3 SHIFTS |
| GREEN                 | <br>WILD CHASER      | It is suitable for off road run and is not much affected by the road condition, maintaining its speed even when it is off road. | Its speed is slow. The max. speed is low.                               | AUTOMATIC<br>/<br>3 SHIFTS |
| BLACK                 | <br>BAD BOY         | In acceleration, it's best of all. Also, its brake is quite effective.  | Steering operability is poor.   | AUTOMATIC<br>/<br>2 SHIFTS |
| ORANGE                | <br>QUICK REACTOR   | It's capable of making a small turn at the corner. Its maneuverability is best of all.  | It is most susceptible to shock.  | AUTOMATIC<br>/<br>4 SHIFTS |
| SILVER                | <br>SMOOTH OPERATOR | No special advantages and disadvantages (the easiest one to handle).  |   | AUTOMATIC<br>/<br>2 SHIFTS |
| RED                   | <br>SPEED BUSTER    | Its max speed is of top class. Being large-sized, it is quite resistible against shock.   | At the curve, it goes outward off the way.                              | AUTOMATIC<br>/<br>2 SHIFTS |

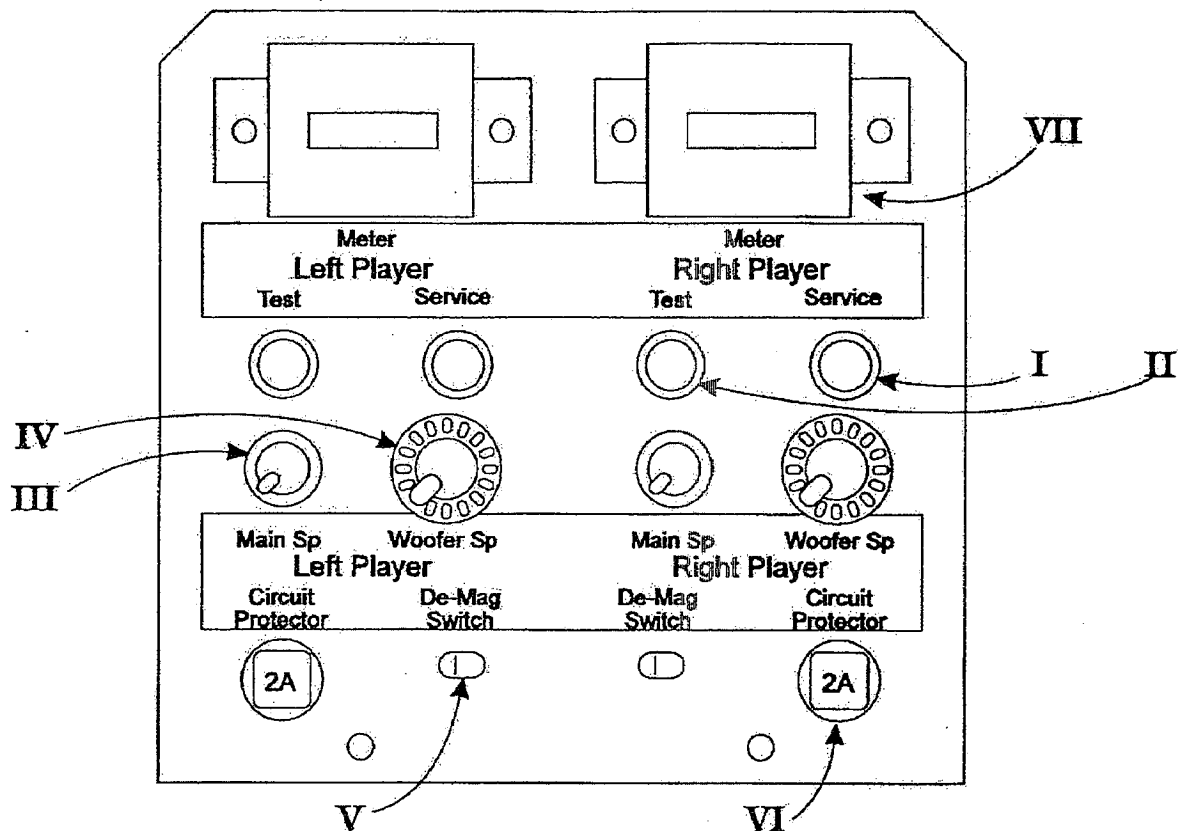
## 8. EXPLANATION OF TEST AND DATA DISPLAY

By operating the switch unit, periodically perform the tests and data check. When installing the machine initially or collecting cash, or when the machine does not function correctly, perform checking in accordance with the explanations given in this section.

The following shows tests and modes that should be utilized as applicable.

| ITEMS                   | DESCRIPTION  | REFERENCE SECTIONS            |
|-------------------------|--|-------------------------------|
| INSTALLATION OF MACHINE | When the machine is installed, perform the following:<br>1. Check to see that each setting is as per standard setting made at the time of shipment.<br>2. In the INPUT TEST mode, check each SW and VR.<br>3. In the OUTPUT TEST mode, check each lamp, motor, etc..<br>4. In the SELF-TEST mode, check ICs on the IC Board. | 8-9<br>8-4, 8-5<br>8-6<br>8-3 |
| SELF-TEST               | Choose MEMORY TEST in the MENU mode to allow the SELF-TEST to be performed. In this test, PROGRAM RAMs, ROMs, and ICs on the IC Board are checked.   | 8-3                           |
| PERIODIC SERVICING      | Periodically perform the following:<br>1. SELF-TEST<br>2. Ascertain each setting.<br>3. In the INPUT TEST mode, test the CONTROL device<br>4. In the OUTPUT TEST mode, check each lamp, motor, etc..   | 8-3<br>8-9<br>8-4, 8-5<br>8-6 |
| CONTROL SYSTEM          | 1. In the INPUT TEST mode, check each SW and VR.<br>2. Adjust or replace each SW and VR.<br>3. If the problem can not be solved yet, check the CONTROL's moves.  | 8-4, 8-5<br>9, 10             |
| MONITOR                 | In the MONITOR ADJUSTMENT mode, check to see if the MONITOR adjustment is appropriately made.  | 8-8                           |
| IC BOARD                | 1. SELF-TEST<br>2. In the SOUND CHECK mode, check the sound related ROMs.  | 8-3<br>8-7                    |
| DATA CHECK              | Check such data as game play time and histogram to adjust the difficulty level, etc..  | 8-12<br>8-9                   |

## 8-1 SWITCH UNIT



Open the coin chute door and the switch unit shown will appear. The functioning of each switch is as follows:

- |                        |  |
|------------------------|--|
| I - SERVICE BUTTON:    | Gives credits without registering on the coin meter.   |
| II - TEST BUTTON:      | For the handling of the test button, refer to the following pages.   |
| III - MAIN SP:         | Adjusts the sound volume of the MAIN SPEAKER (located at the position of the back of the player's head).   |
| IV - WOOFER SP:        | Adjusts the sound volume of the WOOFER.  |
| V - DEMAG. SW:         | Eliminates the unevenness of the on-screen color of the MONITOR.   |
| VI - CIRCUIT PROTECTOR | When the steering wheel motor is subjected to an overload, the circuit breaks to protect the motor. At this time, fully pushing this button allows the circuit to be restored to its original condition. |
| VII - COIN METER       | Registers coins accepted for play.   |

## 8-2 TEST MODE

The Test Mode allows the functioning of each part of the Cabinet to be checked, the monitor to be adjusted, and the coins and game related various settings to be performed.

Press the TEST BUTTON to cause the following Test Item Menu to be displayed on the 1P and 2P side monitors.

In the case where more than 2 machine units are linked, the units other than the master unit should also enter the test mode at the same time the master unit does..

```
TEST MODE

INDIVIDUAL

MEMORY TEST
VOLUME ADJUSTMENT
INPUT TEST
OUTPUT TEST
SOUND TEST
C. R. T. TEST
GAME ASSIGNMENTS
COIN ASSIGNMENTS
NETWORK ASSIGNMENTS
BOOKKEEPING
BACKUP DATA CLEAR
→ EXIT

SELECT BY SERVICE BUTTON
AND PUSH TEST BUTTON
```

Press the SERVICE BUTTON until the pointer "→" is moved to the desired item. Then press the TEST BUTTON.

After the test is complete, move "→" to "EXIT" and press the TEST BUTTON to return to the Game Mode.

In the case where more than 2 machine units are linked, the units other than the master unit should also exit at the same time the master unit does.

You may position the pointer to "INDIVIDUAL" and press the TEST BUTTON. The word "INDIVIDUAL" toggles to "CONTINUE". In the "CONTINUE" mode, each push of the TEST BUTTON causes transition to the next item. In the "INDIVIDUAL" mode, only the item indicated by the pointer is tested.

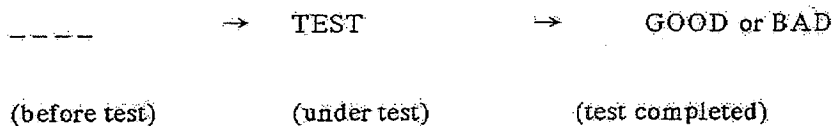


### 8-3 MEMORY TEST

The MEMORY TEST mode is for checking the memory IC operations on the board. "GOOD" is displayed for normal ICs and "BAD" is displayed for abnormal ICs.

| MOMORY TEST              |      |       |      |       |      |
|--------------------------|------|-------|------|-------|------|
| 837-8890 <ROM>           |      |       |      |       |      |
| IC36                     | GOOD | IC37  | GOOD | IC39  | GOOD |
| IC40                     | GOOD |       |      |       |      |
| 837-8676 <RAM>           |      |       |      |       |      |
| IC1                      | GOOD | IC2   | GOOD | IC3   | GOOD |
| IC4                      | GOOD | IC21  | GOOD | IC54  | GOOD |
| IC57                     | GOOD | IC58  | GOOD | IC60  | GOOD |
| IC61                     | GOOD | IC67  | GOOD | IC68  | GOOD |
| IC70                     | GOOD | IC115 | GOOD | IC116 | GOOD |
| IC117                    | GOOD | IC118 | GOOD | IC120 | GOOD |
| IC121                    | GOOD | IC122 | GOOD | IC123 | GOOD |
| PUSH TEST BUTTON TO EXIT |      |       |      |       |      |

The right-hand side of each IC displays the following in the sequential order shown.



During the test, NOW TESTING flashes at the above portion of PUSH TEST BUTTON TO EXIT.

When the test is completed, if the results are shown as above, it is satisfactory.

It takes approximately one minute to complete the test. If the period exceeds one minute, this may have been caused by board malfunctioning.

After finishing the test, pressing the TEST button allows the MENU mode to return on to the screen.

## 8-4 VOLUME ADJUSTMENT

Select VOLUME ADJUSTMENT to cause the following to appear on the screen so that volume adjustment can be performed for each control device.

VOLUME ADJUSTMENT

ADJUST

→ CANCEL

MONITOR A

STEERING WHEEL

ACCELERATOR

BRAKE

MONITOR B

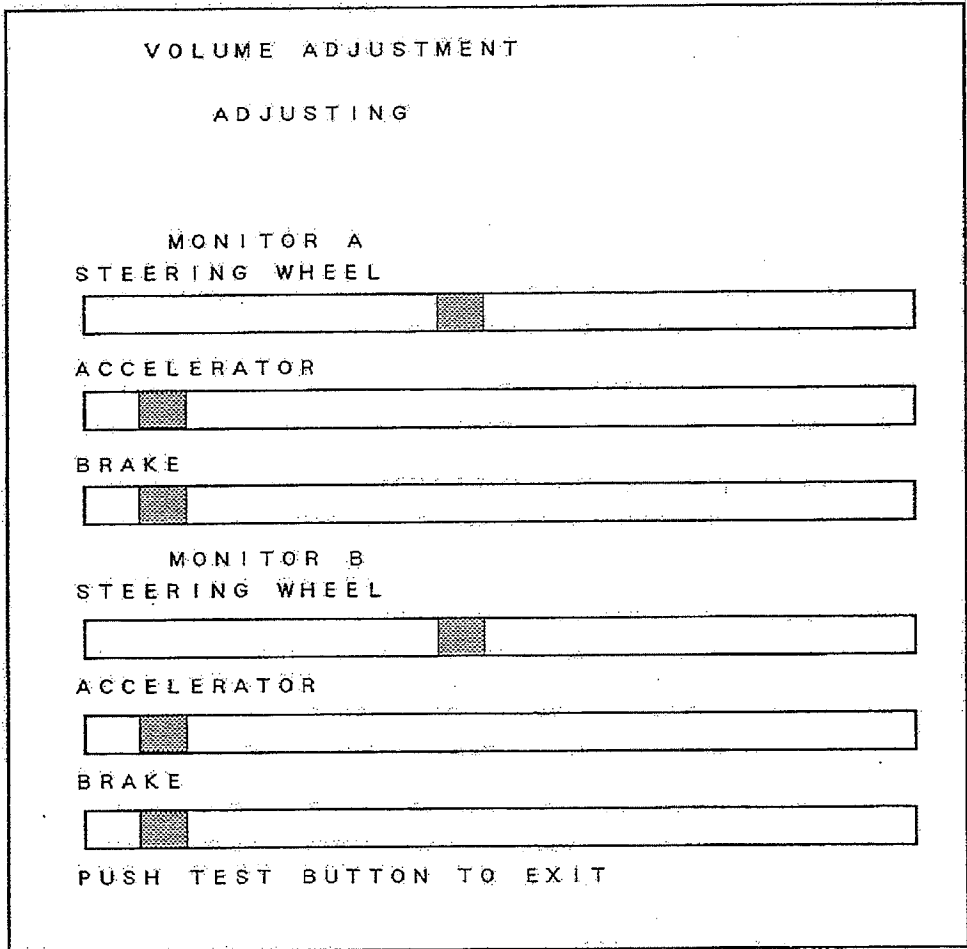
STEERING WHEEL

ACCELERATOR

BRAKE

SELECT BY SERVICE BUTTON  
AND PUSH TEST BUTTON

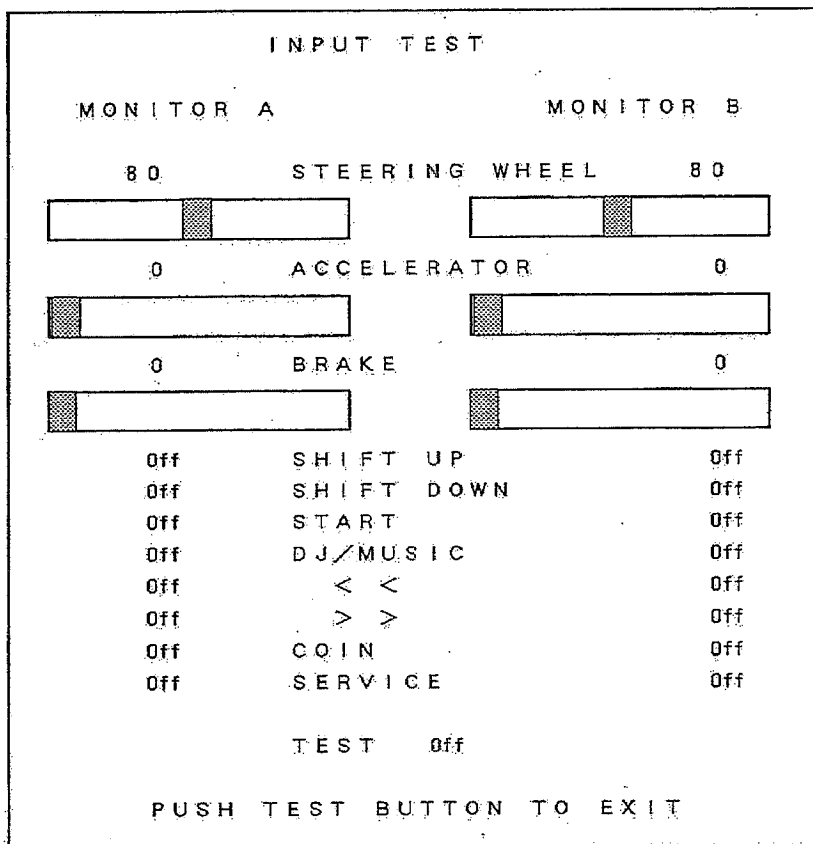
- Bring the cursor to CANCEL and press the TEST button to allow the MENU mode to return on to the screen.
- Bring the cursor to ADJUST and press the TEST button to cause the screen to change to ADJUST mode (in the following page), which allows VOLUME ADJUSTMENT to be performed.
- MONITOR A shows the control devices of the left-hand side seat and MONITOR B, those of the right-hand side seat.
- \* If the red cursor moves fully within the range shown in the green color, it is satisfactory (move the Steering Wheel, Accel., and Brake fully within the mobile range). If the results are not satisfactory, make adjustment in the ADJUST mode.
- \* When the Game Bd. or V. R. is replaced, be sure to perform VOLUME ADJUSTMENT by using the ADJUST mode.



- By entering this mode, move the Steering Wheel, Accl. and Brake for each of the right and left seats fully within the mobile range.
- The mobile range for adjustment is shown in the green color.
- Pressing the TEST button causes the VOLUME ADJUSTMENT setting to be registered, allowing the MENU mode to return on to the screen.
- \* The mobile range for the adjustment will not cover the entire bar space, and also, it varies depending on the Steering Wheel, Accl. and Brake for each of the right and left seats. Therefore, be careful of this point.

## 8-5 INPUT TEST

This mode displays the status of each switch and VR. Monitor A displays the 1P side player's data, and Monitor B, the 2P side player's data.



- The V.R. system allows the present V.R. value to be displayed. The following shows the correct values:

|                |             |   |                      |   |            |
|----------------|-------------|---|----------------------|---|------------|
| STEERING WHEEL | : Under 7H  | ← | 7 8 H ~ 8 7 H        | → | Over F8H   |
|                |             |   | (Centering position) |   |            |
| ACCELERATOR    | : Under 7H  |   | ←-----→              |   | Over F8H   |
| BRAKE          | (Pedal OFF) |   |                      |   | (Pedal ON) |

- The VR value can be roughly checked by watching the cursor position in the respective gauges under the STEERING WHEEL, ACCELERATOR and BRAKE items.
- The value shown in the respective items of STEERING WHEEL, ACCELERATOR and BRAKE is a standard for the status in which said items are not subject to force.
- Pressing the TEST button causes the MENU mode to return on to the screen.

\* In this mode, periodically check the status of each SW and VR.

## 8-6 OUTPUT TEST

This mode is for checking the motor and lamp status.

| OUTPUT TEST                                      |     |                |     |
|--|-----|----------------|-----|
| MONITOR A  |     | MONITOR B      |     |
| CHECK POINT                                      | Off | CHECK POINT    | Off |
| RACE LEADER                                      | Off | RACE LEADER    | Off |
| DJ/MUSIC   | Off | DJ/MUSIC       | Off |
| << >>  | Off | << >>          | Off |
| STEERING WHEEL                                   | Off | STEERING WHEEL | Off |
| → EXIT   |     |                |     |
| SELECT BY SERVICE BUTTON<br>AND PUSH TEST BUTTON |     |                |     |

MONITOR A, Lamps and Steering Wheel Motor listed on the left-hand side of the above OUTPUT TEST page are those for the left-hand side seat, and MONITOR B, Lamps and Steering Wheel Motor listed on the right-hand side of said page are for the right-hand side seat.

By bringing the cursor to the test item and pressing the TEST button, if the on-screen display becomes On and the lighting up of the lamps and the vibration of steering wheels are ascertained, it is satisfactory.

Bring the "→" to "EXIT" and press the TEST BUTTON to return to the Menu mode.

## 8-7 SOUND TEST

Choose SOUND TEST to cause the following mode to appear on the monitor so that SOUND MEMORY check can be performed.

| SOUND TEST                                       |   |
|--|---|
| MONITOR A No.                                    | 0 |
| MONITOR B No.                                    | 0 |
| → EXIT   |   |
| SELECT BY SERVICE BUTTON<br>AND PUSH TEST BUTTON |   |

The sound is emitted from the SPEAKER of the left-hand side seat when the arrow points MONITOR A, and from the SPEAKER of the right-hand side seat when the arrow points MONITOR B (the sound can not be emitted from both SPEAKERS at the same time).

At No. 0, however, sound will not be emitted.

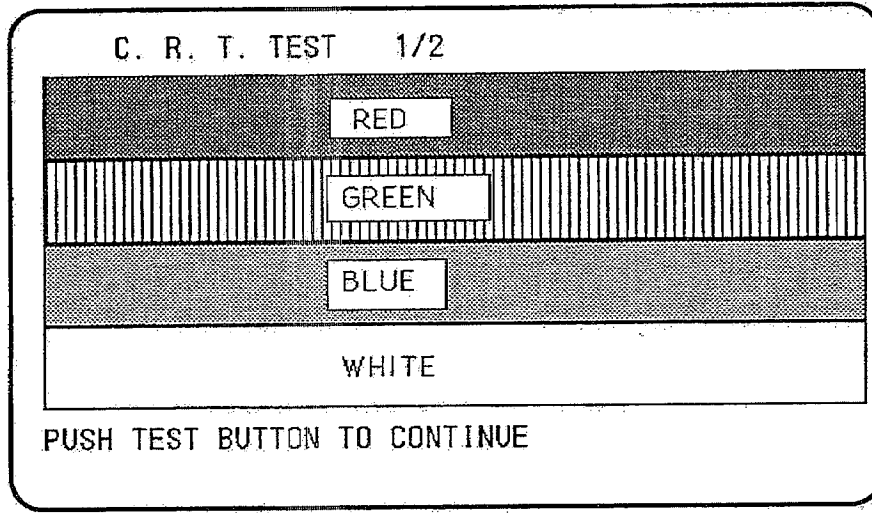
Bring the "→" to "EXIT" and press the TEST BUTTON to return to the Menu mode.



## 8-8 C.R.T. TEST

### (1) RGB color adjusting screen (1/2)

This page is adjusting the monitor color.



Red, green, and blue are darkest on the leftmost scale and get brighter by 31 gradations to the right.

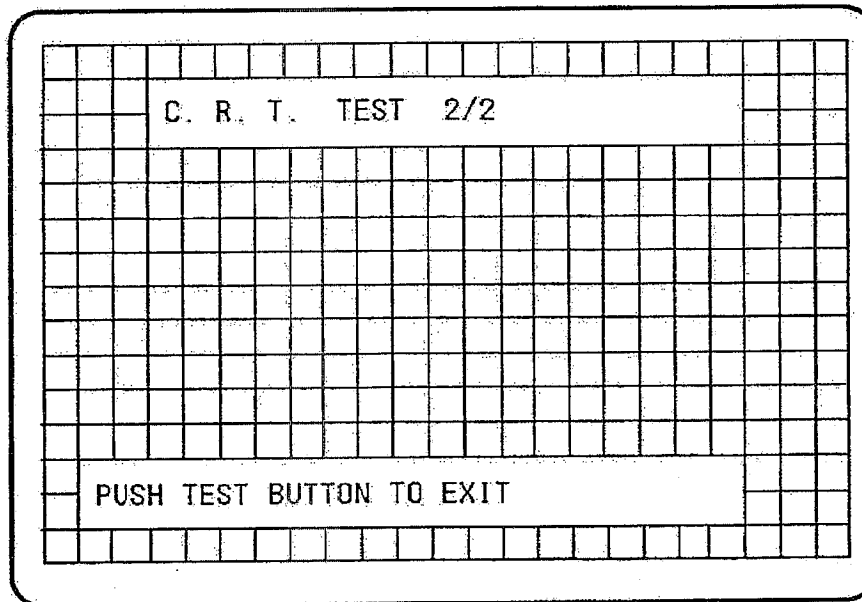
The contrast of the monitor is normal, if the white color bar is black in the leftmost position and is white in the rightmost position.

Press the TEST BUTTON to turn a page.

### (2) Monitor size adjusting screen (2/2)

This page is for checking the monitor size.


When adjusting the monitor size, be careful that grids do not go off of the screen.



Press the TEST BUTTON to return to the Menu.

## 8-9 GAME ASSIGNMENTS

In this mode, the present game setting is displayed and also, the game setting changes can be made.

| GAME ASSIGNMENTS  |        |
|---|--------|
| GAME DIFFICULTY   | 4      |
| EASY  | HARD   |
|  |        |
| TIME DIFFICULTY   |        |
| PRE-STAGE   | NORMAL |
| STAGE 1   | NORMAL |
| STAGE 2   | NORMAL |
| STAGE 3   | NORMAL |
| STAGE 4   | NORMAL |
| FINAL STAGE   | NORMAL |
| STEERING REACTION   | On     |
| ADVERTISE SOUND   | Off    |
| → EXIT  |        |
| SELECT BY SERVICE BUTTON<br>AND PUSH TEST BUTTON                                  |        |

- **GAME DIFFICULTY** The number of the cars which obstruct the player car can be changed (1: minimum; 8: maximum). At the time of shipment, the number is set to 4 as a standard.
- **TIME DIFFICULTY** Time that can be increased or decreased at the beginning of each stage can be changed. (NORMAL $\pm$ 5 seconds). At the time of shipment, it is set to NORMAL.
- **STEERING REACTION** Whether Steering Wheel's vibration is available or not can be set. At the time of shipment, it is set to Yes.
- **ADVERTISE SOUND** ADVERTISE SOUND Yes or No can be set. At the time of shipment, it is set to No.

\* When more than 2 units are linked, once the above setting is made for the MASTER unit, the same setting applies to all of the SLAVE units (however, even if changes are made for the SLAVE units only, such changes will not be reflected in the game), (refer to 8-11).

- Select an item to be changed using the SERVICE BUTTON, then press the TEST BUTTON to make changes.
- Bring the arrow mark(→) to EXIT and press the TEST BUTTON to return to the Menu.

## 8-10 COIN ASSIGNMENTS

The "COIN ASSIGNMENTS" mode permits you to set the start number of credits, as well as the basic numbers of coins and credits. This mode expresses "how many coins correspond to how many credits."

```
COIN ASSIGNMENTS
COIN / CREDIT SETTING #1
    1 COIN 1 CREDIT
MANUAL SETTING
→ EXIT
SELECT BY SERVICE BUTTON
AND PUSH TEST BUTTON
```

- The COIN/CREDIT SETTING is classified into #1, #6, #8, #9, #10, #11, #12, #15, #17, #18, #19, #21, #22, #24, and #26.
- Choosing the MANUAL SETTING allows a finer classification settings to be made.
- Bring the arrow mark(→) to EXIT and press the TEST BUTTON to return to the Menu.

## COIN/CREDIT SETTING

| NAME OF SETTING | EACH SEAT'S COIN CHUTE  |
|-----------------|---|
| SETTING #1      | 1 COIN 1 CREDIT   |
| SETTING #6      | 1 COIN 2 CREDITS  |
| SETTING #8      | 1 COIN 3 CREDITS  |
| SETTING #9      | 1 COIN 4 CREDITS  |
| SETTING #10     | 1 COIN 5 CREDITS  |
| SETTING #11     | 1 COIN 6 CREDITS  |
| SETTING #12     | 2 COINS 1 CREDIT  |
| SETTING #15     | 1 COIN 1 CREDIT<br>2 COINS 3 CREDITS  |
| SETTING #17     | 3 COINS 1 CREDIT  |
| SETTING #18     | 4 COINS 1 CREDIT  |
| SETTING #19     | 1 COIN 1 CREDIT<br>2 COINS 2 CREDITS<br>3 COINS 3 CREDITS<br>4 COINS 5 CREDITS                      |
| SETTING #21     | 3 COINS 1 CREDIT<br>5 COINS 2 CREDITS   |
| SETTING #22     | 2 COINS 1 CREDIT<br>4 COINS 2 CREDITS<br>5 COINS 3 CREDITS  |
| SETTING #24     | 1 COIN 1 CREDIT<br>2 COINS 2 CREDITS<br>3 COINS 3 CREDITS<br>4 COINS 4 CREDITS<br>5 COINS 6 CREDITS |
| SETTING #26     | FREE PLAY   |

○MANUAL SETTING

|  |   |   |   |   |   |   |   |   |  |
|--|---|---|---|---|---|---|---|---|--|
| COIN ASSIGNMENTS                                 |   |   |   |   |   |   |   |   |  |
| MANUAL SETTING                                   |   |   |   |   |   |   |   |   |  |
| COIN TO CREDIT 1 COIN 1 CREDIT.....              |   |   |   |   |   |   |   |   |  |
| BONUS ADDER NO BONUS ADDER.....                  |   |   |   |   |   |   |   |   |  |
| COIN CHUTE MULTIPLIER                            |   |   |   |   |   |   |   |   |  |
| COIN 1 COIN COUNTS AS 1 COIN.....                |   |   |   |   |   |   |   |   |  |
| 1  | 2 | 3 | 4 | 5 | 6 | 7 | 8 | 9 |  |
| 1  | 2 | 3 | 4 | 5 | 6 | 7 | 8 | 9 |  |
| CREDIT   |   |   |   |   |   |   |   |   |  |
| → EXIT   |   |   |   |   |   |   |   |   |  |
| SELECT BY SERVICE BUTTON<br>AND PUSH TEST BUTTON |   |   |   |   |   |   |   |   |  |

- ① Determines COIN/CREDIT setting.
- ② This sets how many COINS should be inserted to obtain one SERVICE COIN.
- ③ This sets how many tokens one COIN represents.



MANUAL SETTING

|                |         |          |
|----------------|---------|----------|
| COIN TO CREDIT | 1 COIN  | 1 CREDIT |
|                | 2 COINS | 1 CREDIT |
|                | 3 COINS | 1 CREDIT |
|                | 4 COINS | 1 CREDIT |
|                | 5 COINS | 1 CREDIT |
|                | 6 COINS | 1 CREDIT |
|                | 7 COINS | 1 CREDIT |
|                | 8 COINS | 1 CREDIT |
|                | 9 COINS | 1 CREDIT |

|             |                |                   |
|-------------|----------------|-------------------|
| BONUS ADDER | NO BONUS ADDER |                   |
|             | 2 COINS        | GIVE 1 EXTRA COIN |
|             | 3 COINS        | GIVE 1 EXTRA COIN |
|             | 4 COINS        | GIVE 1 EXTRA COIN |
|             | 5 COINS        | GIVE 1 EXTRA COIN |
|             | 6 COINS        | GIVE 1 EXTRA COIN |
|             | 7 COINS        | GIVE 1 EXTRA COIN |
|             | 8 COINS        | GIVE 1 EXTRA COIN |
|             | 9 COINS        | GIVE 1 EXTRA COIN |

|                       |                          |  |
|-----------------------|--------------------------|--|
| COIN CHUTE MULTIPLIER | 1 COIN COUNTS AS 1 COIN  |  |
|                       | 1 COIN COUNTS AS 2 COINS |  |
|                       | 1 COIN COUNTS AS 3 COINS |  |
|                       | 1 COIN COUNTS AS 4 COINS |  |
|                       | 1 COIN COUNTS AS 5 COINS |  |
|                       | 1 COIN COUNTS AS 6 COINS |  |
|                       | 1 COIN COUNTS AS 7 COINS |  |
|                       | 1 COIN COUNTS AS 8 COINS |  |
|                       | 1 COIN COUNTS AS 9 COINS |  |

## 8-11 NETWORK ASSIGNMENTS

| NETWORK ASSIGNMENTS |         |
|---------------------|---------|
| COMMUNICATION       | NETWORK |
| PRIVILEGE MODE      | MASTER  |
| CABINET ID#         | 1       |
| → EXIT              |         |

SELECT BY SERVICE BUTTON  
AND PUSH TEST BUTTON

The PRIVILEGE MODE and CABINET ID# will not be displayed on the screen if STAND ALONE is selected by bringing cursor to COMMUNICATION.

Bringing the arrow mark to COMMUNICATION and pressing the TEST button allows the following 2 items to be alternately displayed.

STAND ALONE (when not to be linked with other unit)

NETWORK (when more than 2 units are linked)

Bringing the arrow mark to PRIVILEGE MODE and pressing TEST button allows the following 2 items to be displayed alternately.

**MASTER** When more than 2 units are linked, one of them should be made the MASTER unit and the settings made (game, coin, etc.) for the MASTER cabinet also apply to the SLAVE cabinets.

**SLAVE** When more than 2 units are linked, all cabinets except for the MASTER cabinet are SLAVE cabinets. Changing the settings for the SLAVE cabinets only will not be effective.

**CABINET ID#** When more than 2 cabinets are linked, the ID Nos. 1, 2, 3, and 4 are set starting from the extreme left (facing the front portions of the MONITORS). Setting the same No. for 2 or more cabinets, or using the sequential order in a confused manner may cause some problems to the display during game play, therefore, pay careful attention to this point.

## 8-12 BOOKKEEPING

This mode allows each of the CREDIT/TIME/GAME data to be ascertained.

|                              |    |    |       |
|------------------------------|----|----|-------|
| BOOKKEEPING 1/2              |    |    |       |
| COIN CHUTE A                 | Ø  |    |       |
| COIN CHUTE B                 | Ø  |    |       |
| TOTAL COINS                  | Ø  |    |       |
|                              |    |    |       |
| COIN CREDITS                 | Ø  |    |       |
| SERVICE CREDITS              | Ø  |    |       |
| TOTAL CREDITS                | Ø  |    |       |
|                              |    |    |       |
| NUMBER OF GAMES A            | Ø  |    |       |
| NUMBER OF GAMES B            | Ø  |    |       |
|                              |    |    |       |
| TOTAL TIME                   | ØD | ØH | ØM ØS |
| GAME PLAY TIME A             | ØD | ØH | ØM ØS |
| GAME PLAY TIME B             | ØD | ØH | ØM ØS |
|                              |    |    |       |
| AVERAGE GAME TIME            | __ | M  | _S    |
| LONGEST GAME TIME            | __ | M  | _S    |
| SHORTEST GAME TIME           | __ | M  | _S    |
|                              |    |    |       |
| PUSH TEST BUTTON TO CONTINUE |    |    |       |

A shows the 1P side (left-side) player's data and B, the 2P side(right-side) player's data.

- COIN CHUTE: Number of activations of coin chute
- TOTAL COINS: Total number of activations of coin chutes
- COIN CREDITS: Number of CREDITS registered by COIN insertion
- SERVICE CREDITS: Number of times the SERVICE BUTTON is used
- TOTAL CREDITS: Total number of credits (COIN CREDITS + SERVICE CREDITS)
- NUMBER OF GAMES: Each seat's total games
- GAME PLAY TIME: Each seat's total game time

When more than 2 figures are displayed, an alphabetical letter "S" signifying plural quantity is shown at the end of each item.

Pressing the TEST BUTTON displays Page 2/2.



## 8-13 BACKUP DATA CLEAR

Clears the contents of BOOKKEEPING.

|   |
|---|
| <p>BACKUP DATA CLEAR</p> <p>YES (CLEAR)</p> <p>→ NO (CANCEL)</p> <p>SELECT BY SERVICE BUTTON<br/>AND PUSH TEST BUTTON</p> |
|---|

When clearing, bring "→" to "YES" and when not clearing, to "NO", by using the SERVICE BUTTON, and then push the TEST BUTTON.

Bring "→" to "NO" and press the TEST BUTTON to cause the Menu mode to return on to the screen.

When the data has been cleared, "COMPLETED" will be displayed and the Menu mode returns on to the screen.

## 9. ACCEL. & BRAKE

In the TEST mode, if ACCEL. & BRAKE VR value variation adjustment can not be made within the allowable range, the adjustment of VR position or VR replacement is required.

Also, apply grease to the mechanism part once every 6 months as a standard.

To perform the above work, take out ACCEL. & BRAKE from the cabinet.

### 9-1 TAKING OUT THE ACCEL & BRAKE

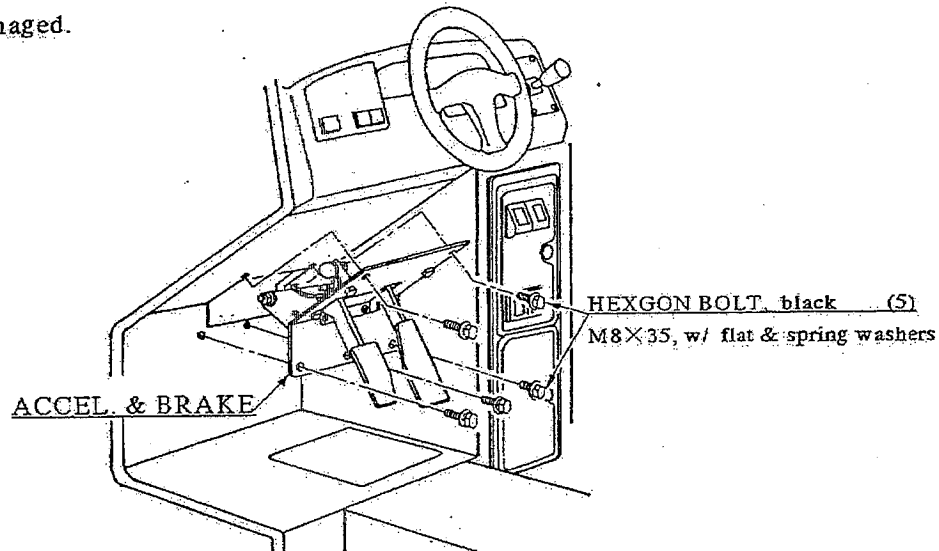
Take off the 5 hexagon bolts.

Take out the ACCEL. & BRAKE from the cabinet.

Disconnecting the 2 connectors allows ACCEL. & BRAKE to be removed from the cabinet.

When adjusting the VR, perform the work by watching the test mode screen with the connectors being as is connected.

When installing ACCEL. & BRAKE, pay attention so that the connectors are not caused to be damaged.



### 9-2 ADJUSTMENT AND REPLACEMENT OF VOLUME

Choose VOLUME ADJUSTMENT in the TEST mode. Move the ACCEL. pedal and BRAKE pedal to the maximum of the mobile range and ascertain the VR value variation displayed on the screen. If the VR value is out of the range displayed on the screen, an adjustment of the VR position or a replacement of the VR is required. If the VR value stays within the range shown on the screen, no adjustment is required.

Note that the following procedure apply to both ACCEL, and BRAKE.

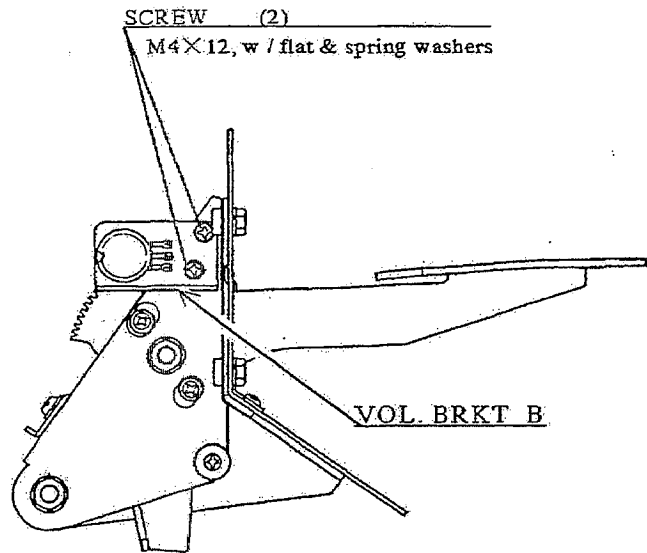


## VOLUME ADJUSTMENT

Cause the VOLUME ADJUSTMENT mode to appear on the screen. (Refer to 8-4.)

Loosen the 2 screws shown.

- i Turn the gear which is attached to the VR and make adjustment in a manner so that the VR value will stay within the specified range.
- ç Fasten the 2 screws by paying attention to gear engagement and backlash.
- £ After making adjustments, newly perform the setting of VR value in the VOLUME ADJUSTMENT mode.



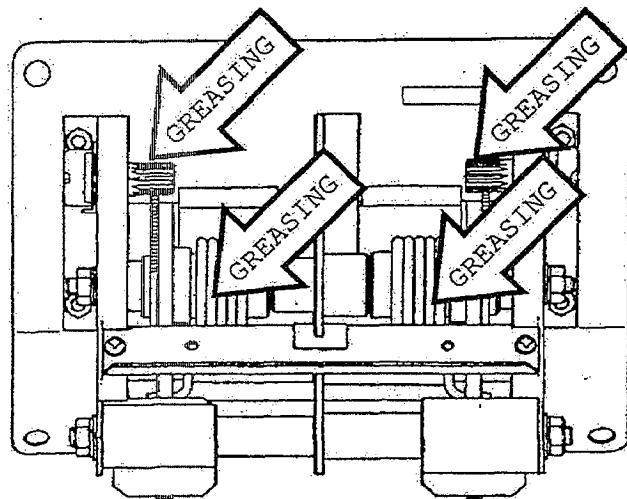
## REPLACEMENT OF VOLUME (220-5130 VOL CONT B - 5K OHM)

Take off the 2 screws which secure the VOL. BRKT and remove the VR with the gear and bracket as is attached. After the replacement, ascertain the VR value variation in the VOLUME ADJUSTMENT mode.

## 9-3 GREASING

Once every 6 months as a standard, apply grease to the portions where the springs and gears are engaged.

Also, be very careful so that grease will not attach to the stopper's rubber part.



## 10. CONTROL PANEL

In the TEST mode, if adjustment can not be made in a manner so that the VR value variations are within the allowable range, an adjustment of VR position or a replacement of VR is required. Also, apply grease to the steering wheel mechanism's shaft or sliding portions once every 6 months as a standard.

When performing the above work, remove the CONTROL PANEL from the cabinet.

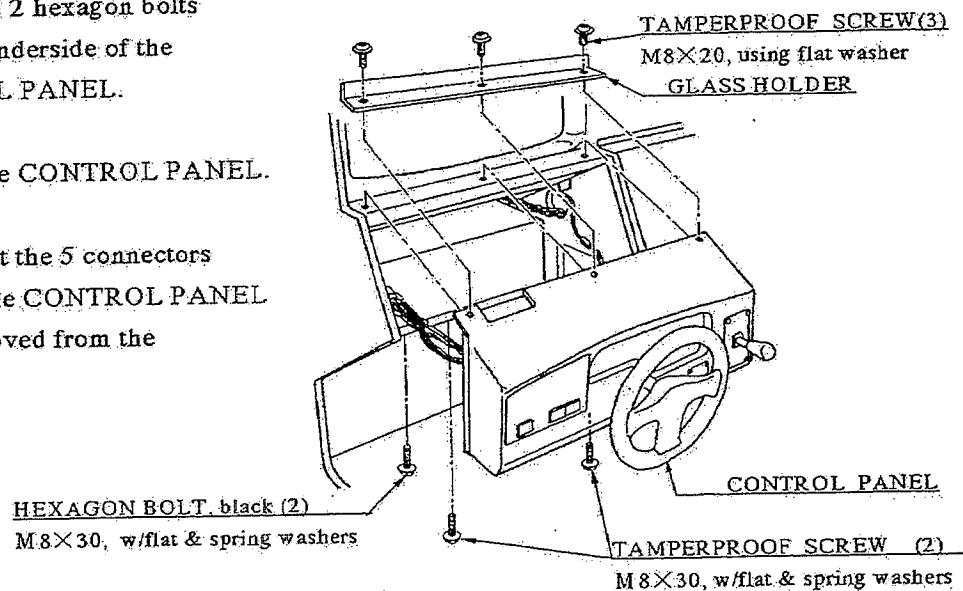
### 10-1 REMOVING THE CONTROL PANEL

Take off the 3 tamperproof screws and remove the glass holder.

Take off the 2 tamperproof screws and 2 hexagon bolts from the underside of the CONTROL PANEL.

i Pull out the CONTROL PANEL.

⊕ Disconnect the 5 connectors to allow the CONTROL PANEL to be removed from the cabinet.

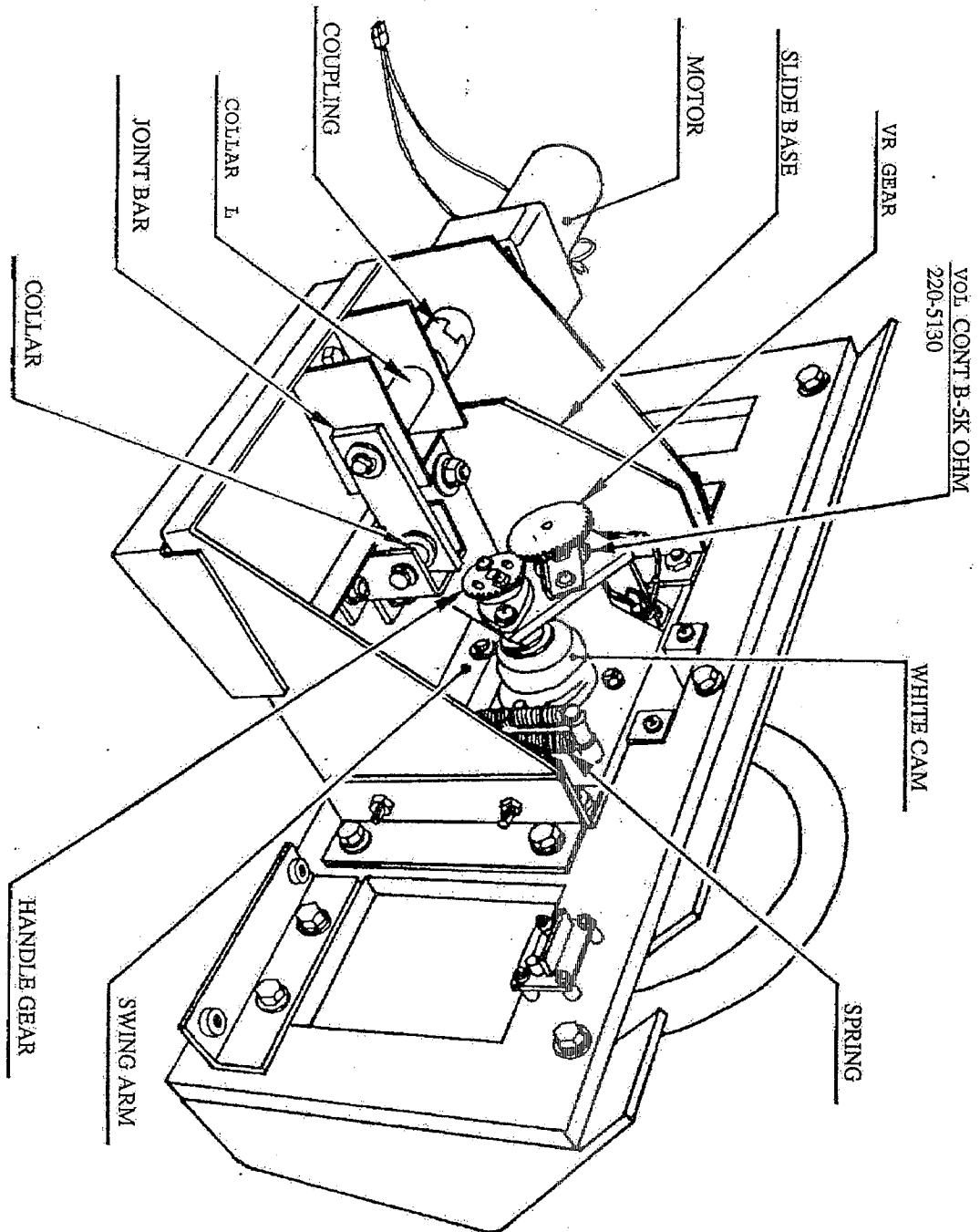


When making the VR adjustment, perform the work with the connectors as is connected, by watching the VOLUME ADJUSTMENT mode on the screen.

When installing the CONTROL PANEL, pay attention so that the connectors are not caused to be damaged.

When the CONTROL PANEL is removed, the monitor adjustment knobs appear. For the adjustment, refer to the following section.

10-2 NAME OF THE CONTROL PANEL PARTS



### 10-3 ADJUSTMENT AND REPLACEMENT OF VOLUME

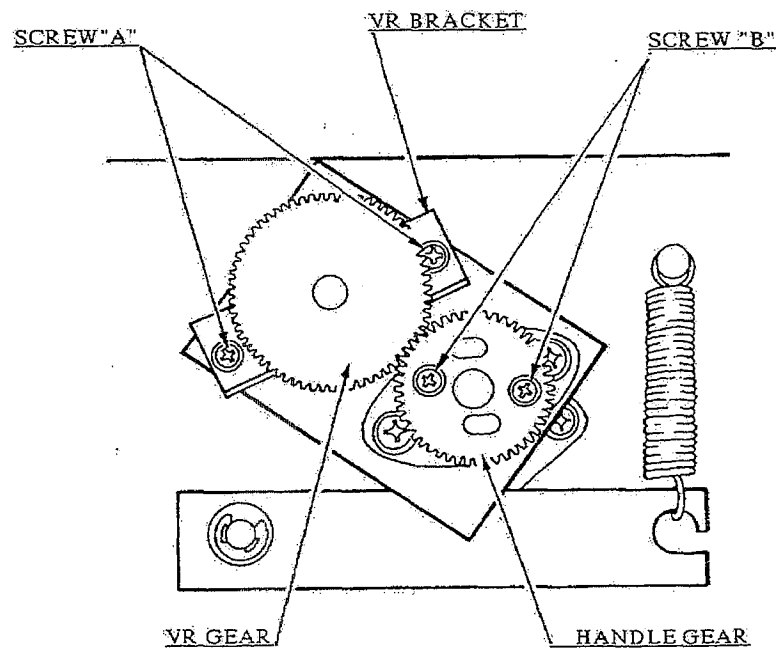
Cause the VOLUME ADJUSTMENT mode to appear on the screen. Move the steering wheel to its maximum mobile range and ascertain the VR value variation shown on the screen. If the VR value is out of the displayed range, an adjustment of the VR position or a replacement of VR is required.

#### Adjusting the VR

Make the VR BRACKET movable by loosening its SCREWS "A".

Move the VR BRACKET until the VR GEAR is disengaged from the HANDLE GEAR. Rotate the VR shaft so that the value displayed on screen is within the tolerance.

- i Tighten SCREWS "A." Backlash should be adjusted at this moment.
- ⊕ If fine adjustment is necessary, loosen the SCREWS "B" and rotate the HANDLE GEAR until the desired value is attained.
- £ After making adjustments, newly set the VR value in the VOLUME ADJUSTMENT mode.



## REPLACEMENT OF VOLUME (220-5130 VOL CONT B - 5K OHM)

Remove the SCREWS "A" that fasten the VR BRACKET. The VR BRACKET becomes unfastened and the VR GEAR disengaged from the HANDLE GEAR.

Remove the VR GEAR from the VR. Now replace the VR.

- After the replacement of the VR, newly set the VR value in the VOLUME ADJUSTMENT mode.

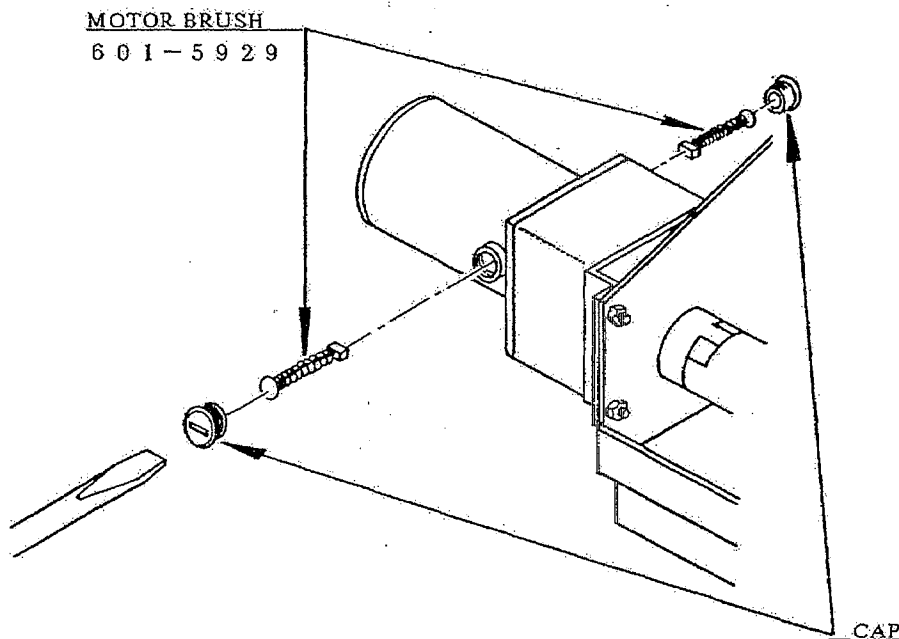
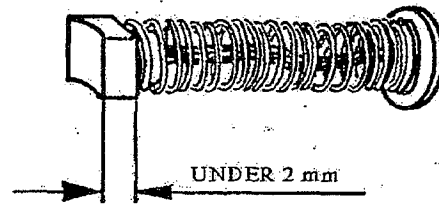
## 10-4 REPLACEMENT MOTOR BRUSH

In the OUTPUT TEST mode, when the display of STEERING WHEEL is ON, if the STEERING WHEEL does not vibrate, first check the circuit protector of the switch unit.

If the circuit protector is satisfactorily working, check the motor brushes.

Take the brushes out by turning the caps with a screwdriver. If the motor brushes are worn out as shown, replace them.

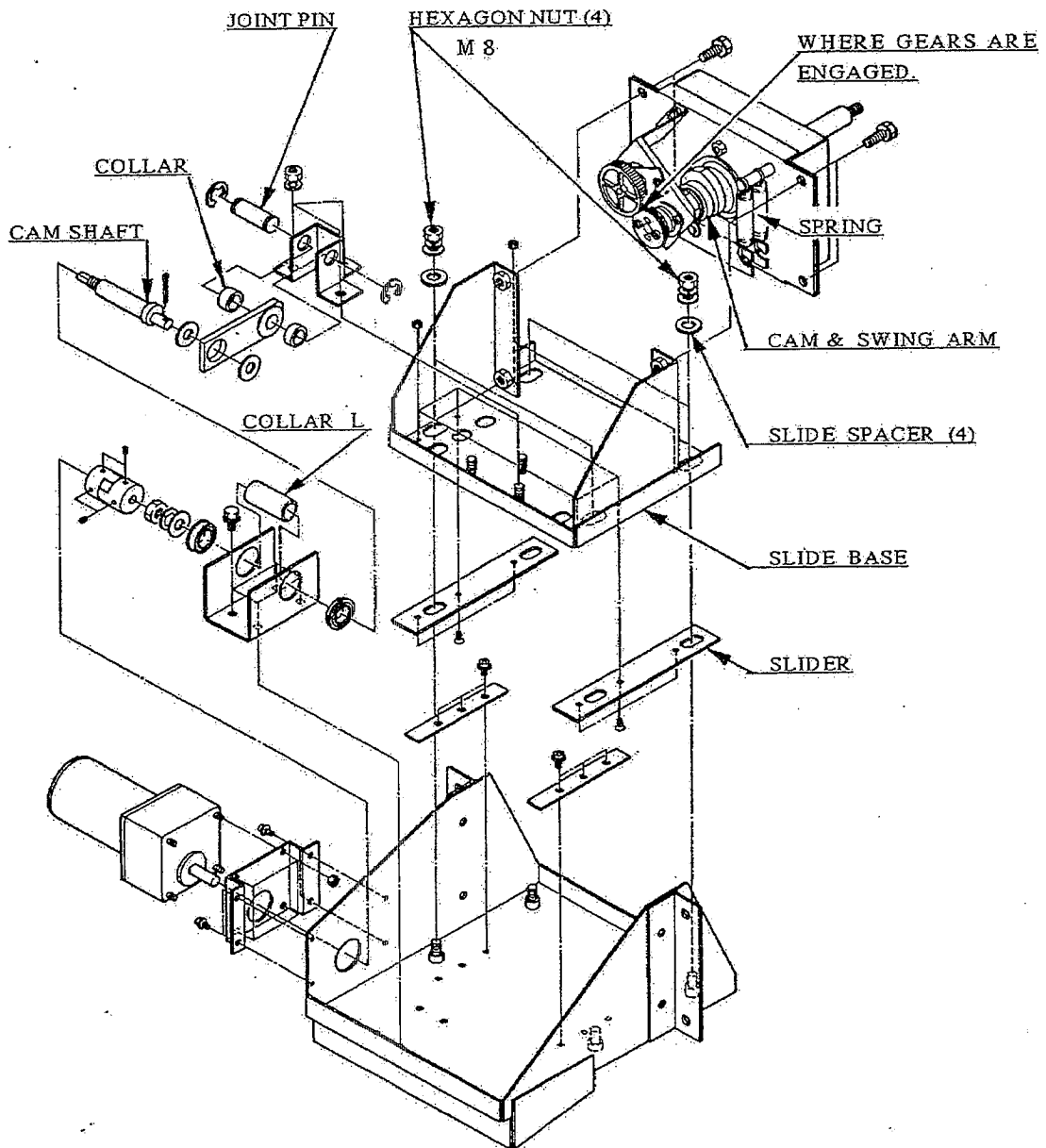
Be sure to replace both of the brushes at the same time.



## 10-5 GREASING

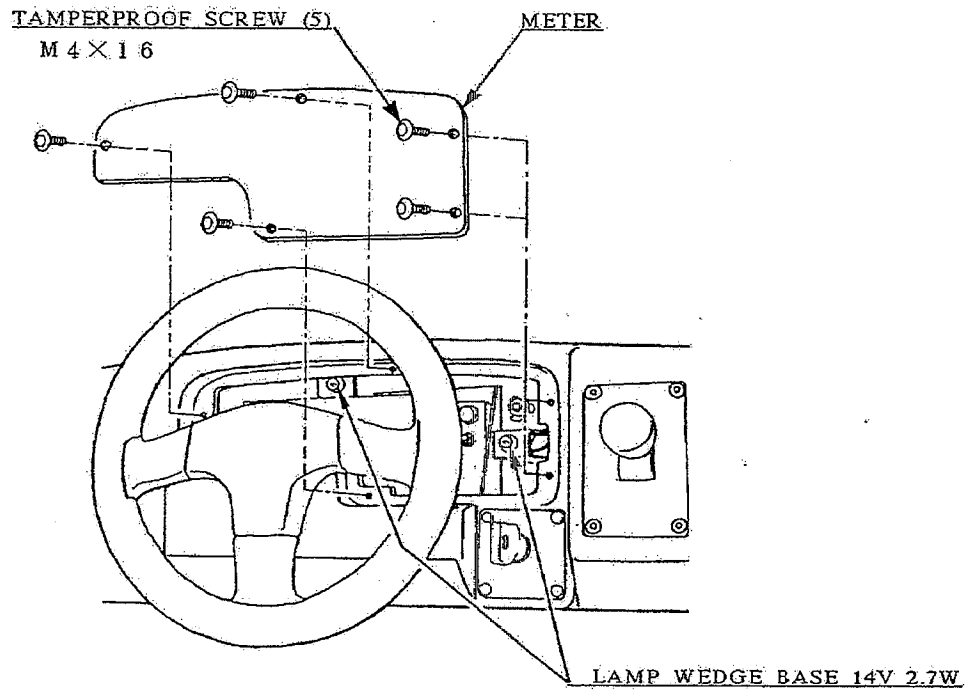
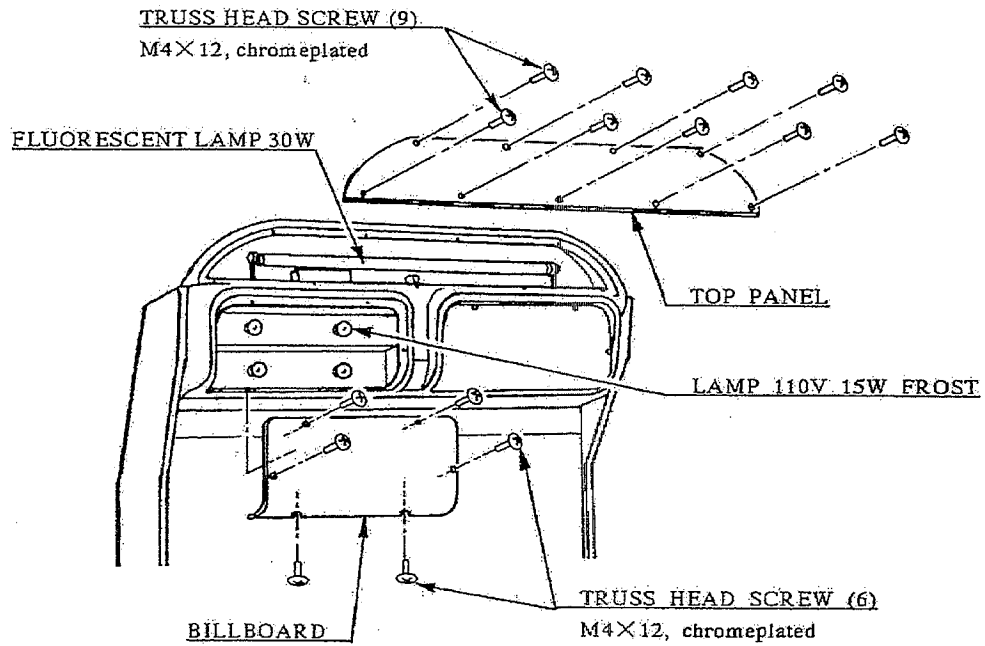
Apply grease to the parts and portions mentioned below, once every 6 months as a standard. Note that for the purpose of greasing, disassembly as shown below is NOT required. Also, do not apply grease to the coupling.

When applying grease to the SLIDE BASE and the SLIDER, perform the work from the 4 elongating holes of the slide base, by removing the 4 each of hexagon nuts and slide spacers.



## 11. REPLACEMENT OF FLUORESCENT LAMP, AND LAMPS

In a manner as shown below, remove the parts and replace the Fluorescent lamp and Lamps.





## 12. EXPLANATION OF COIN SELECTOR

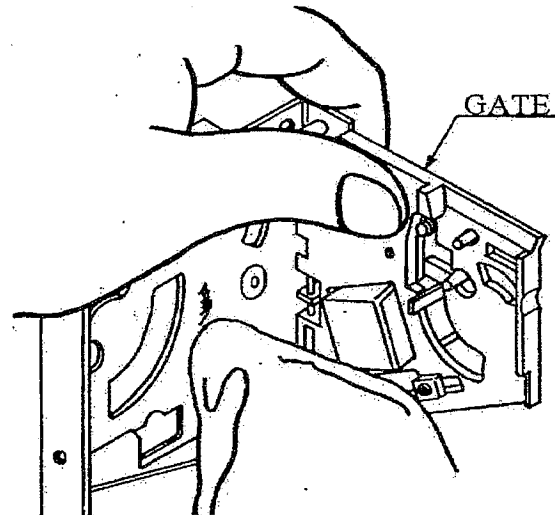
### HANDLING THE COIN JAM

Even when the REJECT button is pressed, if the coin is not rejected, open the coin chute door and open the selector gate. After removing the jammed coin, put a normal coin in and check to see that the selector correctly functions.

### CLEANING THE COIN SELECTOR

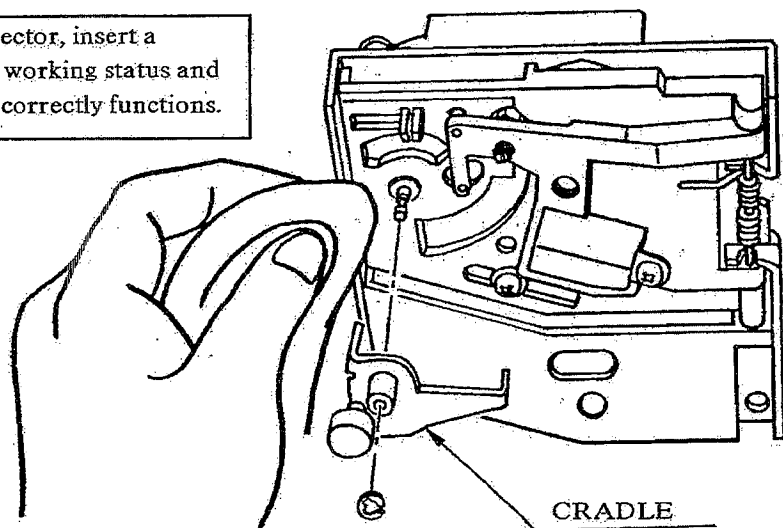
The coin selector should be cleaned once every 3 months. When cleaning, follow the procedure below:

- I Turn the power for the machine OFF.  
Open the coin chute door.
- II Open the gate and dust off by using a soft brush (made of wool, etc.).
- III Remove stain by wiping with a soft cloth which contains water or chemical detergent.
- IV Remove the CRADLE.  
When removing the retaining ring (E ring), be very careful so as not to bend the shaft.
- V Remove stain from the shaft and pillow portions by wiping off with a soft cloth, etc.
- VI After wiping off as per 5 above, further apply a dry cloth, etc. to cause the coin selector to dry completely.



Absolutely do not apply machine oil, etc. to the coin selector.

After cleaning the coin selector, insert a regular coin in the normal working status and ascertain that the selector correctly functions.

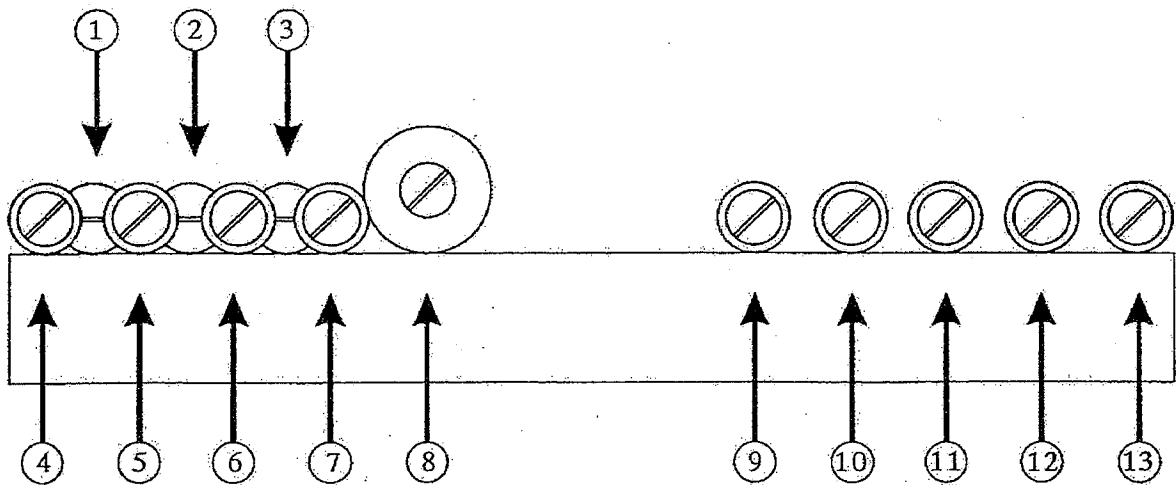


### 13. MONITOR ADJUSTMENTS

- Do not operate the ADJUSTMENT knobs without good reason.
- A certain portion of the monitor is subject to a high voltage and therefore be very careful of this point.
- When making adjustment, use a resinous Alignment Screwdriver.

Remove the CONTROL PANEL to make the monitor adjustments (refer to 10-1).

OutRunners uses a 26 inch monitor manufactured by NANA O (part no. 200-5187-15) in the 15K mode. The following adjustments are specific to this monitor.



- ① R-BIAS / BLK
- ② G-BIAS / BLK
- ③ B-BIAS / BLK
- ④ R-GAIN
- ⑤ G-GAIN
- ⑥ B-GAIN

- ⑦ BRIGHT
- ⑧ H-SIZE
- ⑨ H. HOLD
- ⑩ H. PHASE
- ⑪ V. SIZE
- ⑫ V. HOLD

- ⑬ V. POSITION

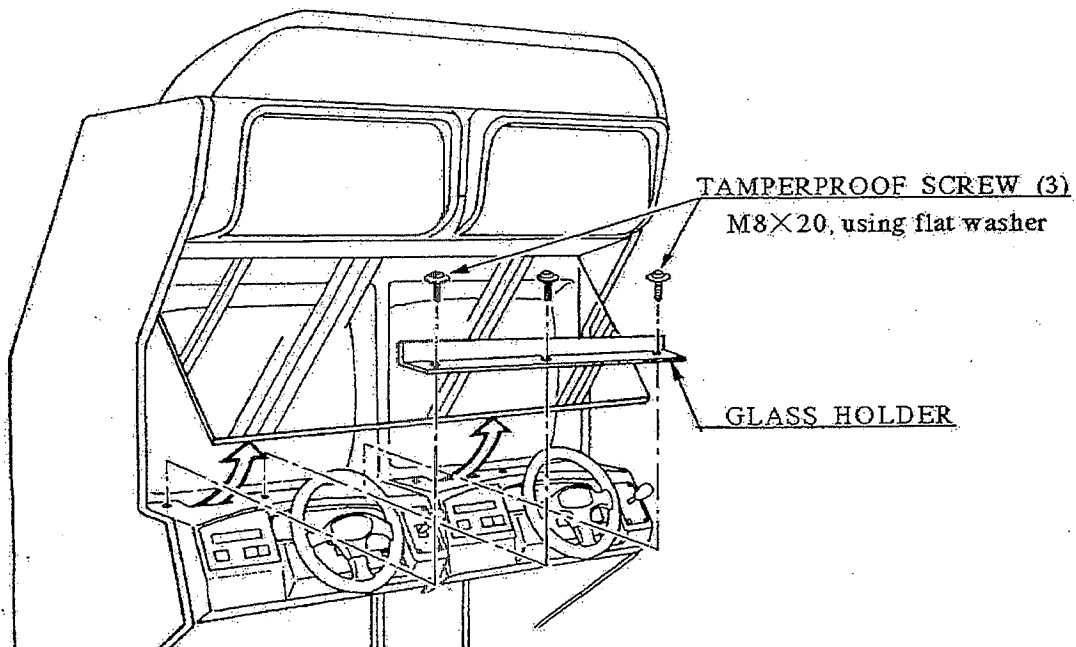
## 14. PERIODIC INSPECTION TABLE

The items listed below require periodic check and maintenance to retain the performance of this machine.

|                | Item                    | Interval   | Reference |
|----------------|-------------------------|------------|-----------|
| PERIODIC CHECK | SELF TEST, MEMORY CHECK | Monthly    | 8-3, 8-7  |
|                | CHECK EACH SETTING      |            | 8-9, 8-10 |
| ACCEL. & BRAKE | CHECK THE VOLUME VALUE  | Monthly    | 8-4       |
|                | GREASING                | Biannually | 9-3       |
| CONTROL PANEL  | CHECK THE VOLUME VALUE  | Monthly    | 8-4       |
|                | GREASING                | Biannually | 10-5      |
| COIN SELECTOR  | CLEANING                | Trimonthly | 12        |

### ● REMOVING THE FRONT GLASS

When cleaning the backside of the front glass, and the MONITORS, remove the front glass. To take off the front glass, first remove the glass holders from the left and right seats, then, put your hand through the square hole on the upper left-hand portion of each of the CONTROL PANELS and pull the lower part of the glass toward you.



## 15. TROUBLESHOOTING

| PROBLEM   | CAUSE  | COUNTERMEASURES   |                       |                  |         |
|---|--|---|-----------------------|------------------|---------|
| <p>Main SW is turned ON but the machine is not functioning.</p>   | <p>The power is not supplied.</p>  | <p>Make sure that the plug is fully inserted into the plug socket.</p>  |                       |                  |         |
|   | <p>The power supply voltage is not correct.</p>  | <p>Make sure that the power supply voltage is correct.</p>  |                       |                  |         |
|   | <p>Blowing off of fuse due to instantaneous overcurrent.</p>   | <p>Replace AC unit fuse.</p>  |                       |                  |         |
|   | <p>COMMUNICATION mode setting is not made correctly.</p> <p>The Optical Fiber Cable connection is not correct.</p> | <table border="1"> <tr> <td data-bbox="849 722 1133 758">FUSE 6.4φ X30 5A 250V</td> <td data-bbox="1133 722 1404 758">AC 100~120V AREA</td> </tr> <tr> <td data-bbox="849 758 1133 793">SLO-BLO</td> <td></td> </tr> </table> | FUSE 6.4φ X30 5A 250V | AC 100~120V AREA | SLO-BLO |
| FUSE 6.4φ X30 5A 250V   |  | AC 100~120V AREA  |                       |                  |         |
| SLO-BLO   |  |   |                       |                  |         |
| <p>Correctly set the NETWORK ASSIGNMENT in the TEST mode.</p> <p>When independently operating, set to STAND ALONE.</p> <p>When operating plural cabinets in COMMUNICATION mode, set one of them to MASTER and others to SLAVE (see 8-11).</p> <p>Correctly connect the Optical Fiber Cable.</p> |  |   |                       |                  |         |
| <p>Sound is not emitted.</p>  | <p>VR setting is incorrect.</p>  | <p>Adjust the SW unit and VOLUME ADJUSTMENT</p>   |                       |                  |         |
|   | <p>The connector connection for Rear Cabinet Speaker is not correct.</p>   | <p>Make sure that the connector for the Rear Cabinet Speaker is made correctly. (Refer to Section 6.)</p>   |                       |                  |         |

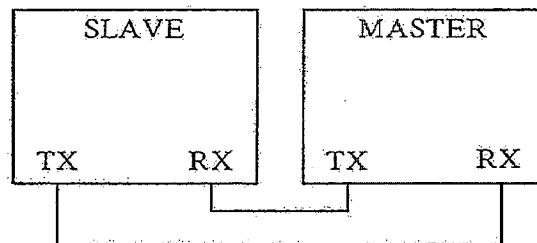
| PROBLEM  | CAUSE  | COUNTERMEASURES  |
|--|--|--|
| The Steering Wheel Motor does not function.                            | The protector functioned due to an instantaneous overcurrent.<br><br>The Motor Brushes are worn out. | Cause the functioning of the SW unit Circuit Protector to restore to its original condition.<br><br>Replace the Motor Brushes. |
| The Fluorescent lamp does not light up.                                | The Fluorescent tube is burnt out.   | Replace the Fluorescent tube with an FL 30W tube (refer to Section 11).  |
| The Check Point Lamp and or Race Leader Lamp do not light up.          | The bulb of the lamp is burnt out.<br><br>The SSR BD. is defective.                                  | Replace the bulb with LAMP 110V 15W<br><br>Replace the SSR BD (839-0048) of the Power Supply Unit.                             |
| The Steering Wheel operation during game play is not satisfactory.     | VR adjustment is not correct.  | Make adjustment correctly as per VOLUME ADJUSTMENT in the TEST mode (refer to 8-4).  |
| The car speed does not increase even when you step on the Accelerator. | VR adjustment is not correct.  | Make adjustment correctly as per VOLUME ADJUSTMENT in the TEST mode (refer to 8-4).  |
| The on-screen image of the monitor sways and or shrinks.               | The power source and voltage are not correct.  | Make sure that the power supply and voltage are correct.   |

## 16. COMMUNICATIONS PLAY

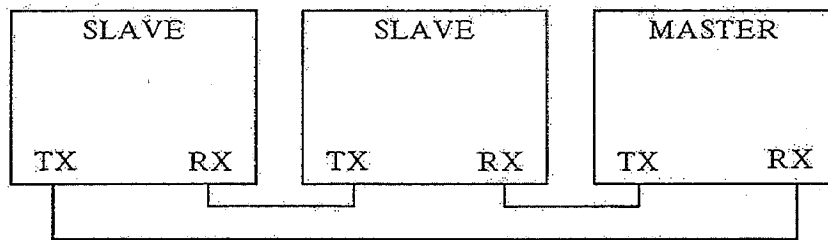
### 16-1 INSTALLATION PRECAUTIONS

- 1) When linking a number of machines, be sure to supply sufficient power for the corresponding number of machines. The per unit standard voltage/amperage is 100~120V/10A and 200~240V/5A.
- 2) Due to the length of the communications cable, the distance in between the machines will be approximately 1.2 meters or less.

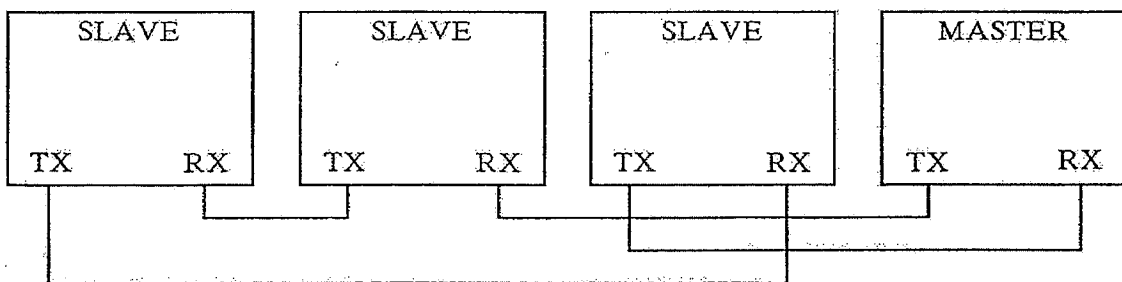
### 16-2 COMMUNICATIONS CABLE CONNECTION



4P LINK SYSTEM

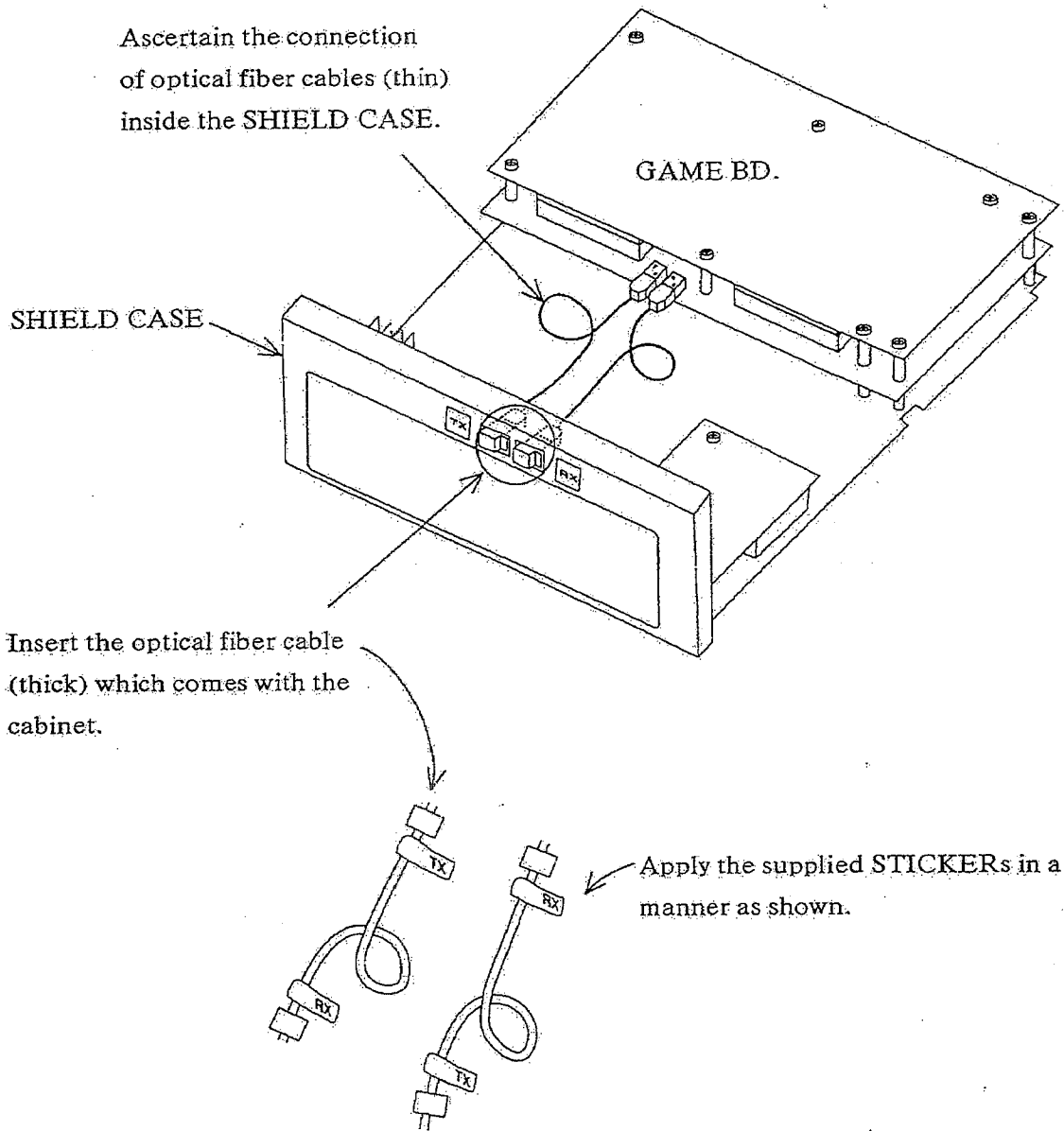


6P LINK SYSTEM

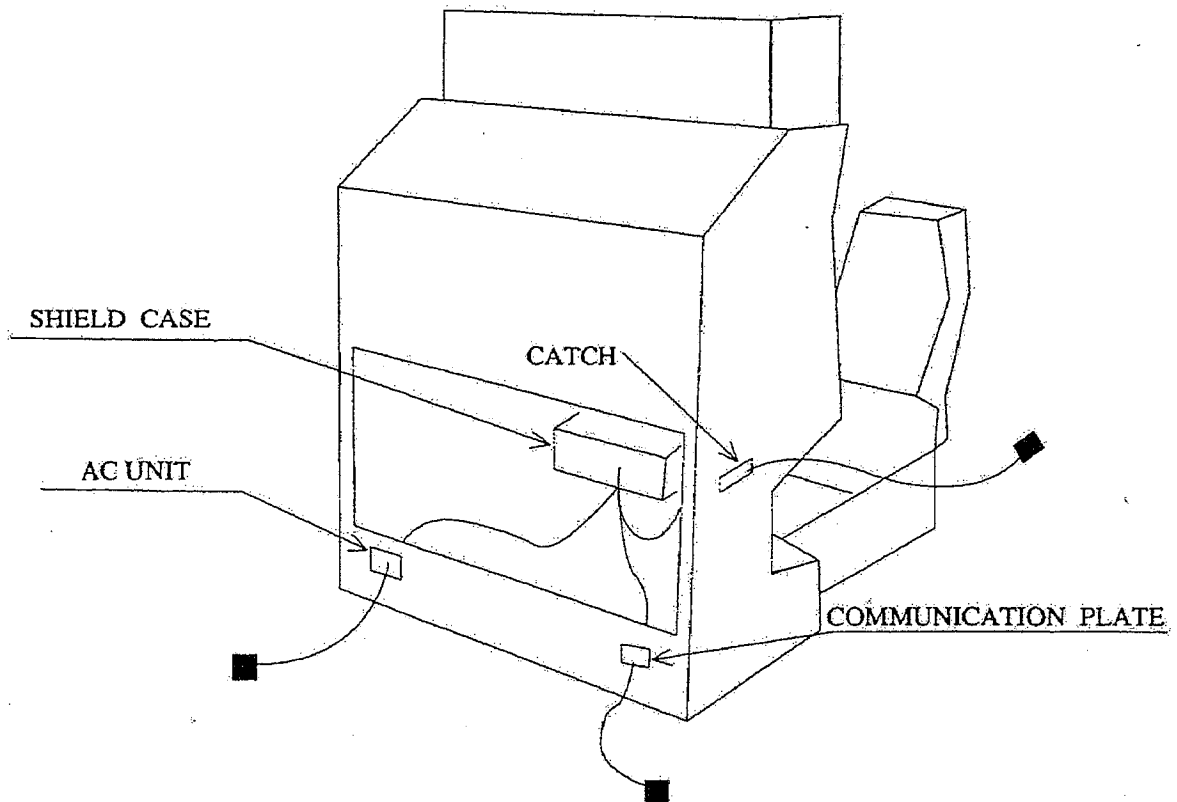


8P LINK SYSTEM

## CONNECTION OF GAME BOARD AND FIBER CABLE



## CONNECTION WITH OTHER CABINET



The COMMUNICATION CABLES to be used for the connection with other units can be pulled out from the AC unit on the back of the cabinet or from the COMMUNICATION PLATE.

Also, when installing the machine units side by side, the COMMUNICATION CABLES can be pulled out by taking off the backside wooden board from the catch.

When wiring the COMMUNICATION CABLES, be careful so that the cables do not sharply bend.



### 16-3 SETTING FOR COMMUNICATIONS PLAY

- Cause all of the machines to enter the test mode and change the game setting for each seat in a manner so as to meet the communications play. When changing the setting, refer to the explanations mentioned in Section 8. TEST AND DATA DISPLAY.

- Press the TEST button to enter the TEST mode and choose "NETWORK ASSIGNMENTS."

Bring the arrow mark to "COMMUNICATION" and press the TEST button to select "NETWORK."

Move the arrow mark to "PRIVILEGE MODE" and press the TEST button to allow one of the cabinets to be set to "MASTER." Set all other cabinets to "SLAVE."

Bring the arrow mark to "CABINET ID#," press the TEST button, and set plural number of the machines sequentially to ID#1, 2, 3, and 4 as applicable starting from the extreme left facing the monitors' front side.

If the same number is set for 2 or more cabinets, or if the sequential order is incorrect, the game display, etc. will be confused. Therefore, be careful of this point.

### 16-4 SETTING THE GAME DIFFICULTY

In the case of COMMUNICATIONS play, the game difficulty setting is made by the MASTER cabinet. Even if the setting is changed by the SLAVE machines, the setting will not be effective for the game. Changing the setting by the MASTER cabinet causes all of the SLAVE machines also to change the setting by following the MASTER unit.

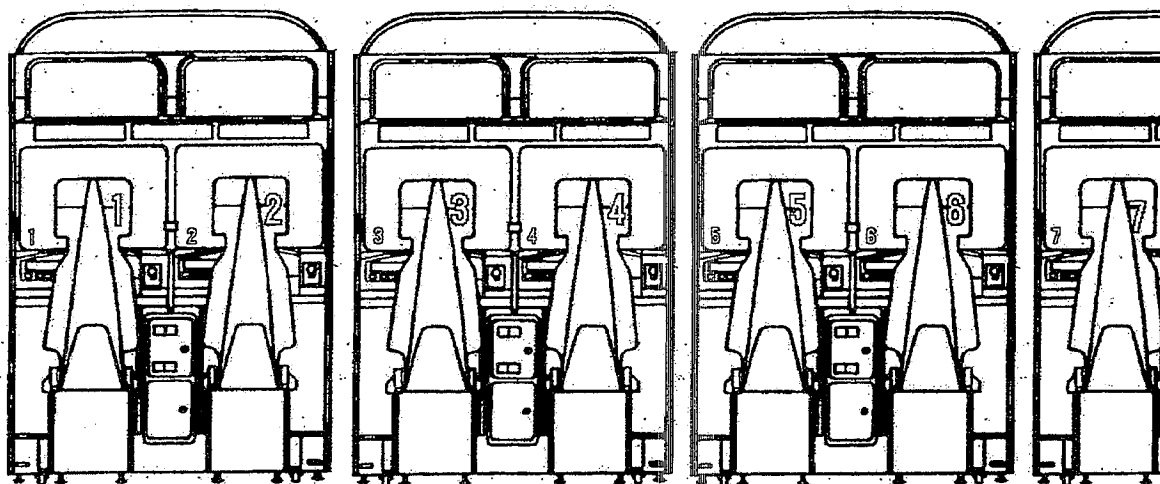
### 16-5 CAUTIONS TO BE HEEDED WHEN IN THE TEST MODE

The machines connected for the communications play perform the NETWORK check at the time the power is turned on and when exiting the test mode. The communications play by all of the machines is not possible unless all of the machines which were connected for the communications play simultaneously perform the NETWORK CHECK. Should the testing become necessary for even one machine, all of the remaining machines are required to enter the test mode. When the test is finished for the unit which required the test, all of the machines are to exit from the test mode at the same time.

## 16-6 APPLICATION OF SEAT NO. DISPLAY STICKERS

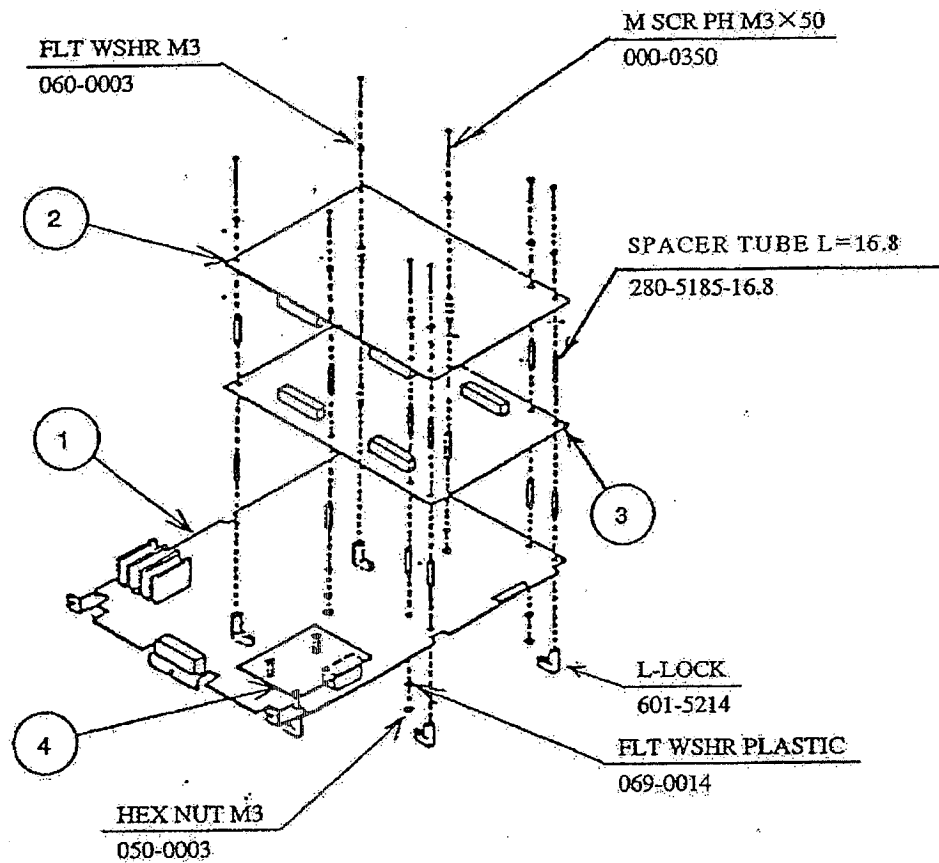
Apply the Seat No. display stickers in a manner so that they will line up in the sequential order of No. 1, No. 2, No. 3 and so on starting from the left side of the unit which was connected to the other unit(s).

Apply STICKER OUT1-0004~0007 to the rear cabinet and OUT1-0008 to the front glass.



# 17. GAME BOARD

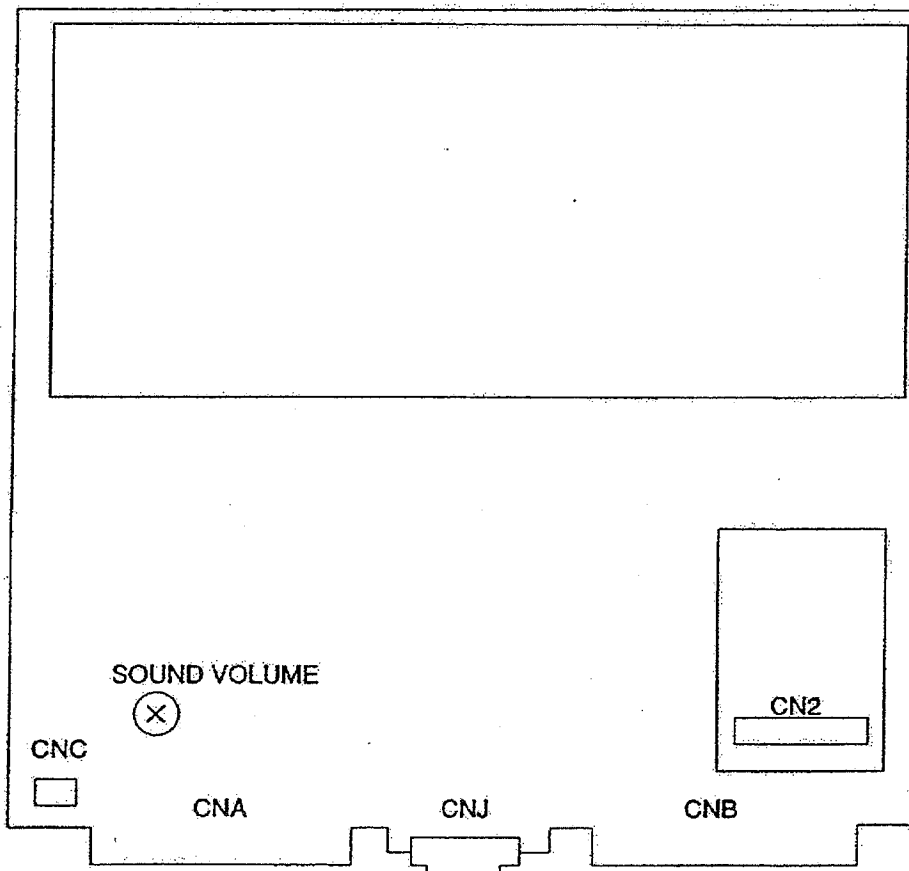
## 17-1 COMPOSITION OF GAME BOARD



|                          | U.S.A.      | OTHERS      |
|--------------------------|-------------|-------------|
| GAME BD NO.              | 834-9559-01 | 834-9559-02 |
| 1-MAIN BD (SYSTEM MULTI) |             | 837-8676    |
| 2-ROM BD OUTRUNNERS      | 837-9560-01 | 837-9560-02 |
| 3-COMMUNICATION BD       |             | 837-8792    |
| 4-A/D BD SYSTEM 18 32    |             | 837-7536    |

17-2 INPUT AND OUTPUT

GAME BD OUTFRINNERS (834-9559-XX)



CNA: Signal INPUT/OUTPUT for LEFT PLAYER

CNB: Signal INPUT/OUTPUT for RIGHT PLAYER

CNJ: Signal OUTPUT for LEFT/RIGHT PLAYERS

CNC: Sound OUTPUT for LEFT/RIGHT PLAYER

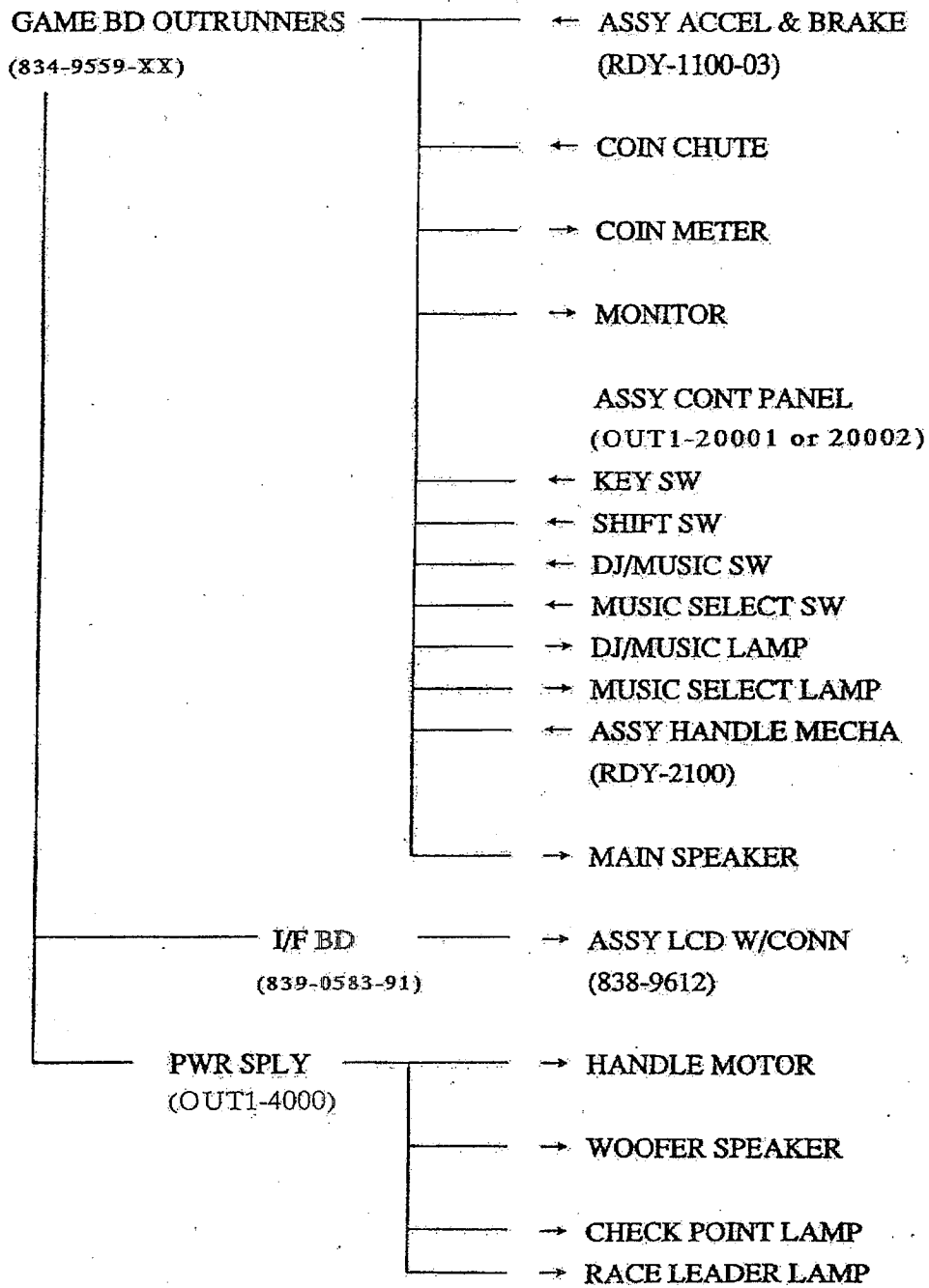
CN2: For LEFT/RIGHT PLAYERS: Signal INPUT as regards the STEERING WHEEL.

Signal INPUT as regards the ACCEL.

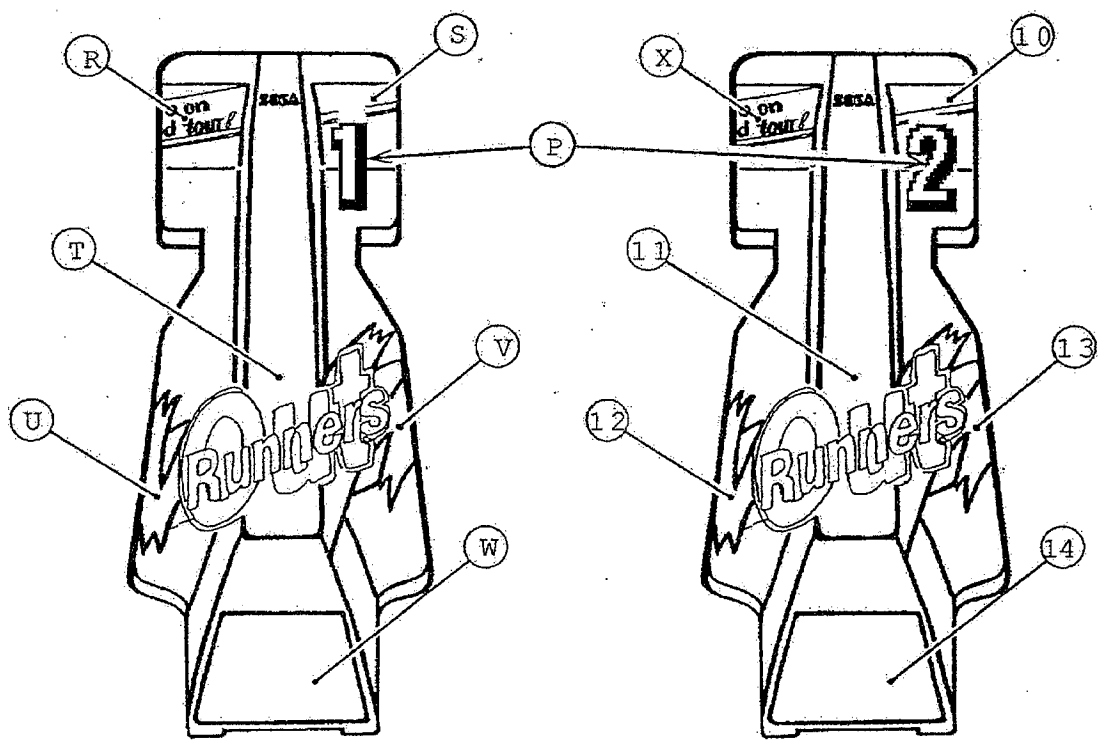
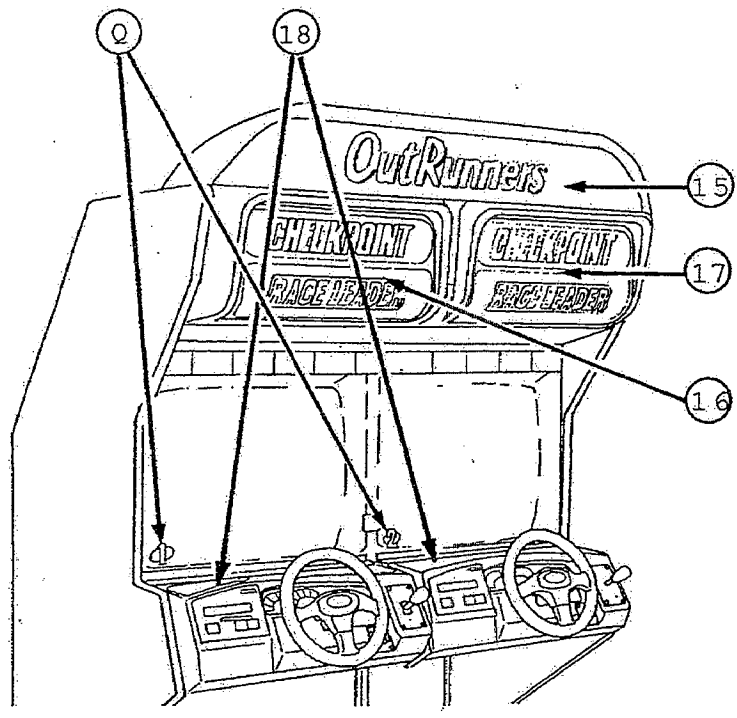
Signal INPUT as regards the BRAKE.

SOUND VOLUME: SOUND VOLUME adjustment VR.

INPUT AND OUTPUT RELATIONS



18. DESIGN RELATED PARTS



LEFT-SIDE (RED)

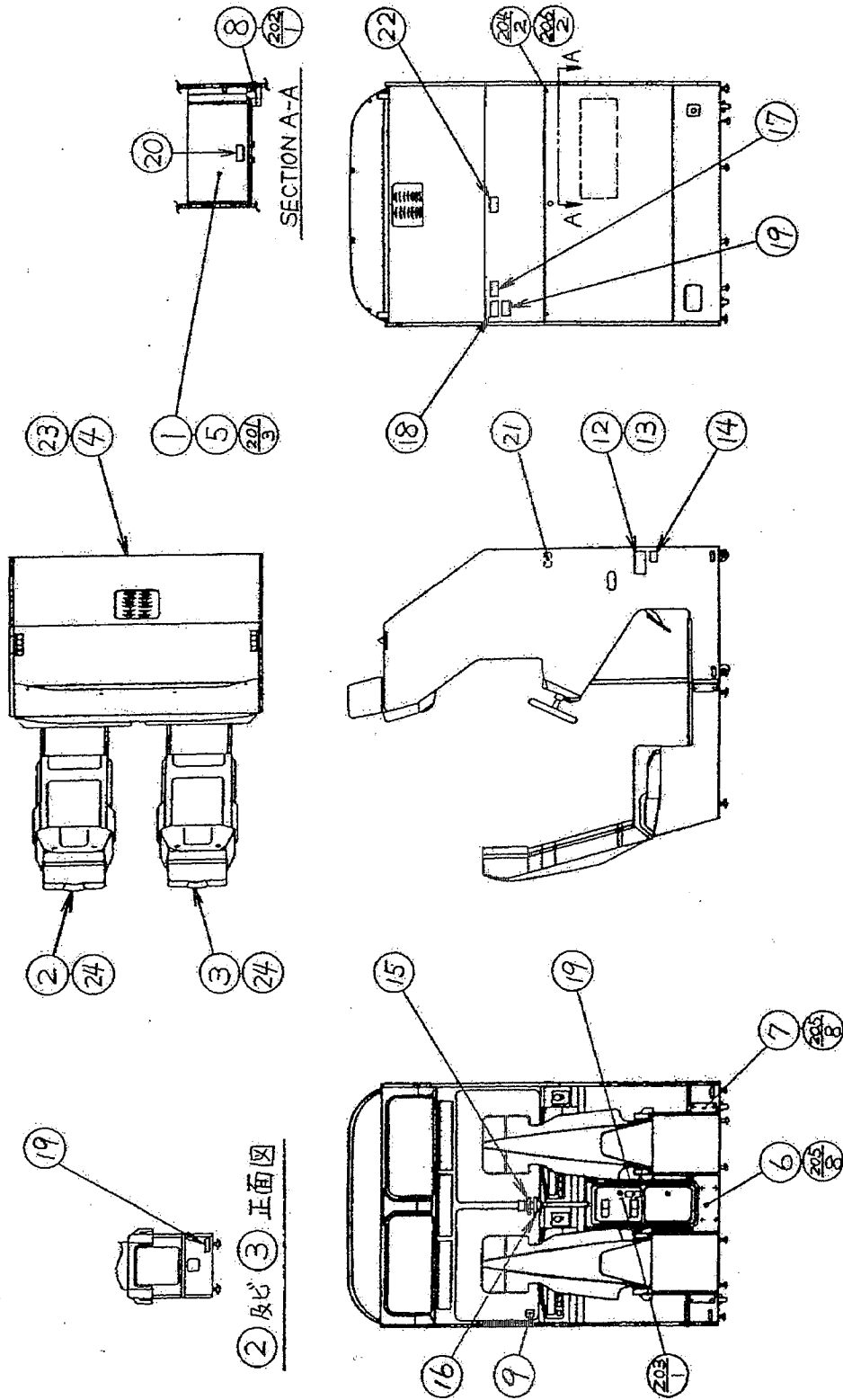
RIGHT-SIDE (BLUE)

| NO. | PART NO.     | DESCRIPTION                  |
|-----|--------------|------------------------------|
| 1   | 999-0175     | STICKER SEAT ZEICHEN NO.1, 2 |
|     | "            | STICKER SEAT ZEICHEN NO.3, 4 |
|     | "            | STICKER SEAT ZEICHEN NO.5, 6 |
|     | "            | STICKER SEAT ZEICHEN NO.7, 8 |
| 2   | OUT1-0008    | STICKER CONT ZEICHEN         |
| 3   | 999-0177     | STICKER UPPER RL             |
| 4   | "            | STICKER UPPER RR             |
| 5   | 999-0179     | STICKER MIDDLE RED           |
| 6   | 999-0180     | STICKER BRASH RL             |
| 7   | "            | STICKER BRASH RR             |
| 8   | OUT1-0505-G  | STICKER LOWER RED            |
| 9   | 999-0178     | STICKER UPPER BL             |
| 10  | "            | STICKER UPPER BR             |
| 11  | 999-0179     | STICKER MIDDLE BLUE          |
| 12  | 999-0180     | STICKER BRASH BL             |
| 13  | "            | STICKER BRASH BR             |
| 14  | "            | STICKER LOWER BLUE           |
| 15  | OUT1-1034    | TOP PANEL OUTFITTERS         |
| 16  | OUT1-1035X   | BILLBOARD RED                |
| 17  | OUT1-1036X   | BILLBOARD BLUE               |
| 18  | OUT1-2022-01 | GUARD PLATE INSTR ENG        |

# 19. PARTS LIST

## 1 TOP ASSY OUTFITTERS (OUT1-0000)

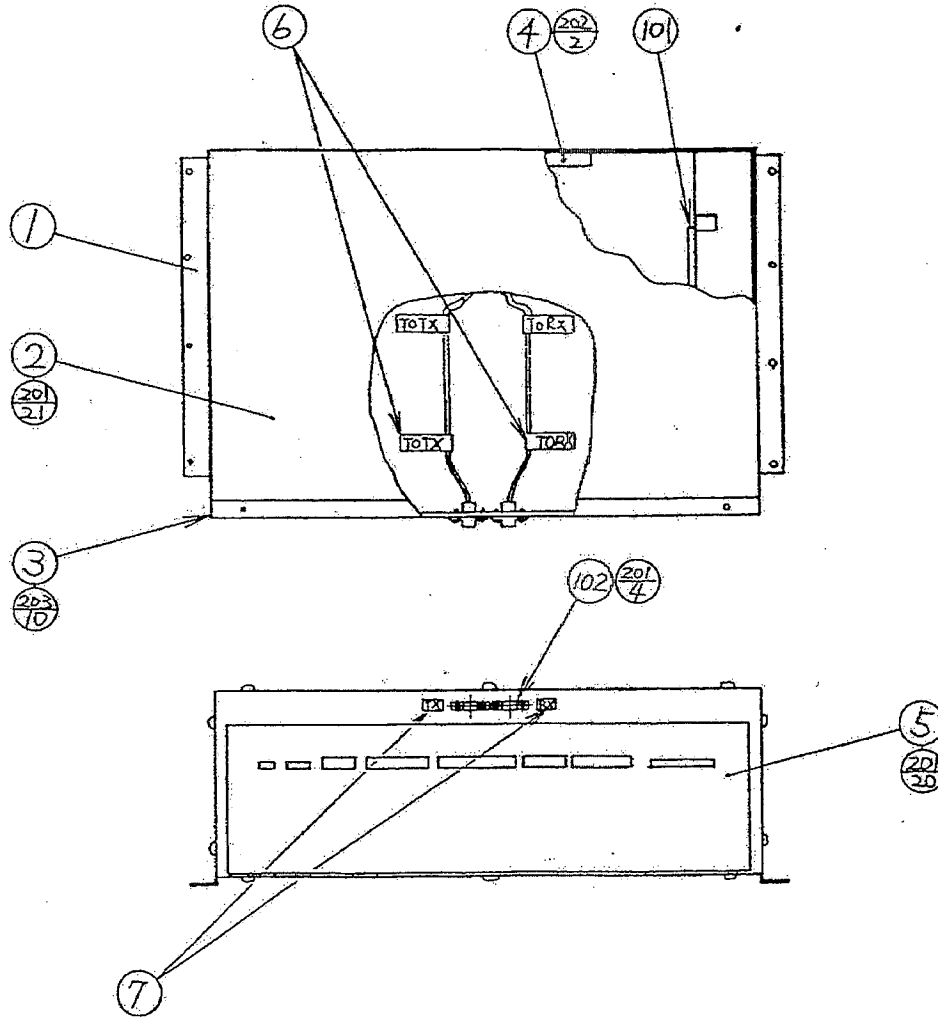
(D-1/2)





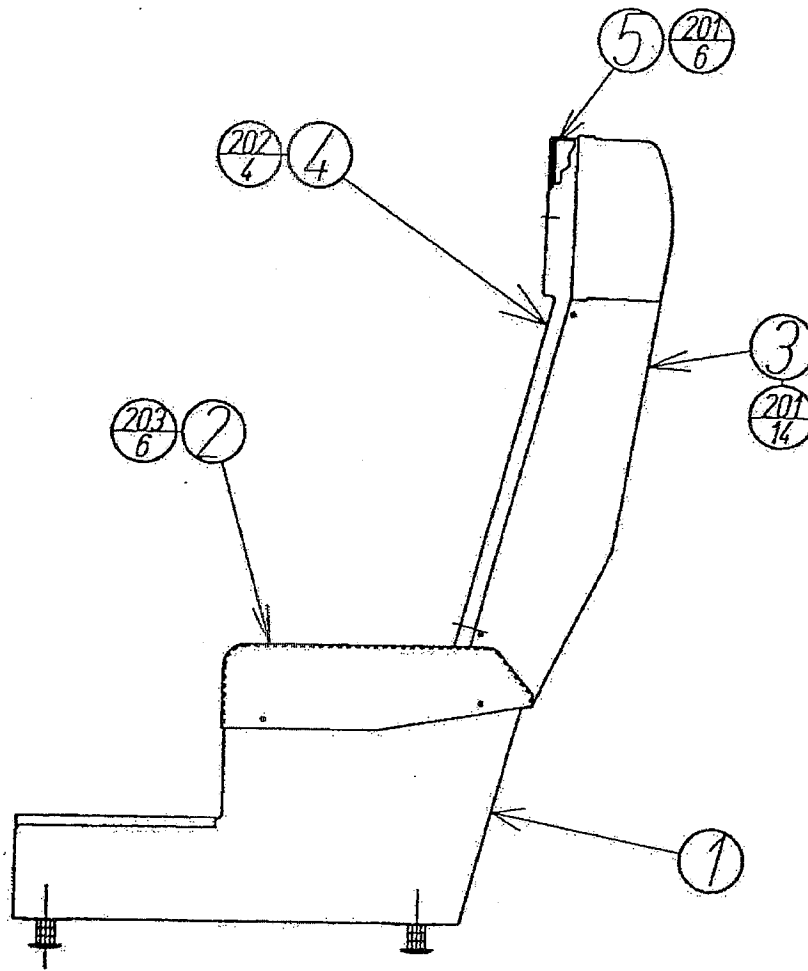
| ITEM NO. | PART NO.        | DESCRIPTION                          |
|----------|-----------------|--------------------------------------|
| 1        | OUT1-0100       | ASSY SHIELD CASE                     |
| 2        | OUT1-0500       | ASSY REAR CABINET 1P                 |
| 3        | OUT1-0600       | ASSY REAR CABINET 2P                 |
| 4        | OUT1-1000       | ASSY CABINET                         |
| 5        | 834-9559-01     | GAME BD OUTFUNNERS USA               |
|          | 834-9559-02     | GAME BD OUTFUNNERS EXP               |
| 6        | OUT1-0001       | JOINT BRKT CENTER                    |
| 7        | OUT1-0002       | JOINT BRKT SIDE                      |
| 8        | OUT1-0003       | SHIELD CASE STOPPER                  |
| 9        | 421-5800-202    | ORIGINAL SEAL OUTFUNNERS             |
| 10       | 421-6594        | STICKER SERIAL NO. INFO              |
| 18       | 421-7987        | STICKER ELEC. SPEC.                  |
| 19       | 421-7988        | STICER SERIAL NUMBER                 |
| 20       | 421-6709        | STICKER SERVICE INSTR. ENG.          |
| 21       | 421-6671        | STICKER DNAGER HIGH VOLTAGE          |
| 23       | SGM-3784        | POLYETHYLENE COVER 950 x 1500 x 1900 |
| 24       | SGM-3844        | POLYETHYLENE COVER 600 x 700 x 1250  |
| 201      | 000-0308-FS     | M SCR PH W/FS M3 x 8                 |
| 202      | 000-0520-FS     | M SCR PH W/FS M5 x 20                |
| 204      | 029-0415        | M SCR TH CRM F4 x 30                 |
| 205      | 039-0157        | HEX BLT CRM W/FS M8 x 35             |
| 206      | 069-0110        | FLT WSHR CRM 4.4-16 x 1.6            |
| 401      | 601-6604-70     | CARTON BOX 70                        |
| 402      | SGM-2675        | POLYETHYLENE BAG 240 x 370           |
| 403      | 4201-6079-01    | OWNERS MANUAL OUTFUNNERS ENG.        |
| 404      | 220-5381        | KEY MASTER FOR 220-5380              |
| 405      | SGM-4111        | KEY BAG                              |
| 407      | 540-0006-01     | WRENCH FOR TAMP SCR DUAL TYPE M4     |
| 408      | 540-0007-01     | WRENCH FOR TAMP SCR DUAL TYPE M5     |
| 409      | 540-0015-01     | WRENCH FOR TAMP SCR DUAL-T30         |
| 410      | 999-0176        | STICKER SHEET, SEAT ZEICHEN NO 1-8   |
| 414      | OUT1-0008       | STICKER CONT ZEICHEN                 |
| 418      | 600-6047-07     | ASSY FIBER CABLE 07 MB               |
| 419      | 220-5130        | VOL CONT B-5K OHM                    |
| 420      | 3901-5257-01    | LAMP 110V 15W FROST                  |
| 421      | 3901-5346       | LAMP WEDGE BASE                      |
| 422      | INST NO. 592-01 | INSTAL INSTR OUTFUNNERS ENG.         |
| 423      | 421-7378        | STICER FIBER CABLE                   |
| 424      | 280-5132        | TUBE HOLDER                          |
| 425      | 280-5224        | PROTECT TUBE 1200                    |
| 427      | 5141-5037-5000  | FUSE 6.4 $\phi$ x 30 5A 250V SLO-BLO |
| 428      | 600-5929        | MOTOR BRUSH                          |
| /        | 421-6690-       | STICKER - V (NOT SHOWN)              |

2 ASSY SHIELD CASE (OUT1-0100)

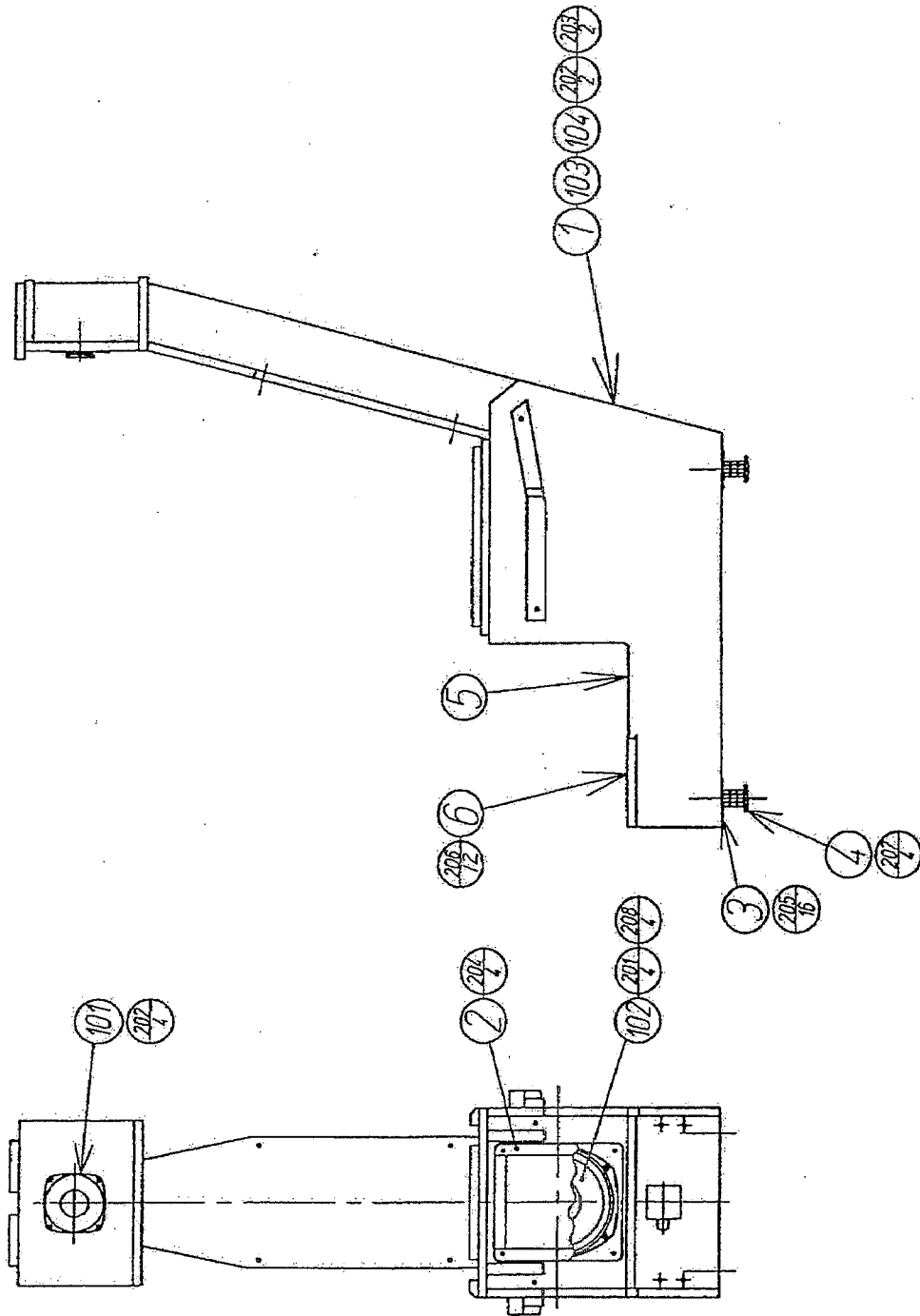


| ITEM NO. | PART NO.     | DESCRIPTION               |
|----------|--------------|---------------------------|
| 1        | SCR1-0501-01 | SHIELD CASE               |
| 2        | SCR1-0502-01 | UPPER COVER               |
| 3        | SCR1-0503-01 | SHIELD COVER              |
| 4        | SCR1-0504    | HOLDER                    |
| 5        | 839-0538-01  | SYSTEM MULTI FLT BD OUT   |
| 6        | 421-7378     | STICKER FIBER CABLE       |
| 7        | 421-7515     | STICKER FIBER CABLE TX/RX |
| 101      | 2801-5232    | GUIDE RAIL                |
| 102      | 211-5479     | CONN OPT JOINT            |
| 201      | 010-0308-F   | S-TITE SCR PH W/F M3 x 8  |
| 202      | 012-0308     | TAP SCR PH 3 x 8          |
| 203      | 000-0410-FS  | M SCR PH W/FS M4 x 10     |
| 301      | 600-6182-50  | ASSY SINGLE CA P L=50CM   |
| 302      | 600-6180-70  | WIRE HARN LINE OUT SHIELD |
| 303      | 600-6253-61  | WIRE HARN A/D SHLD CASE   |

3 ASSY REAR CABINET 1P (OUT1-0500)

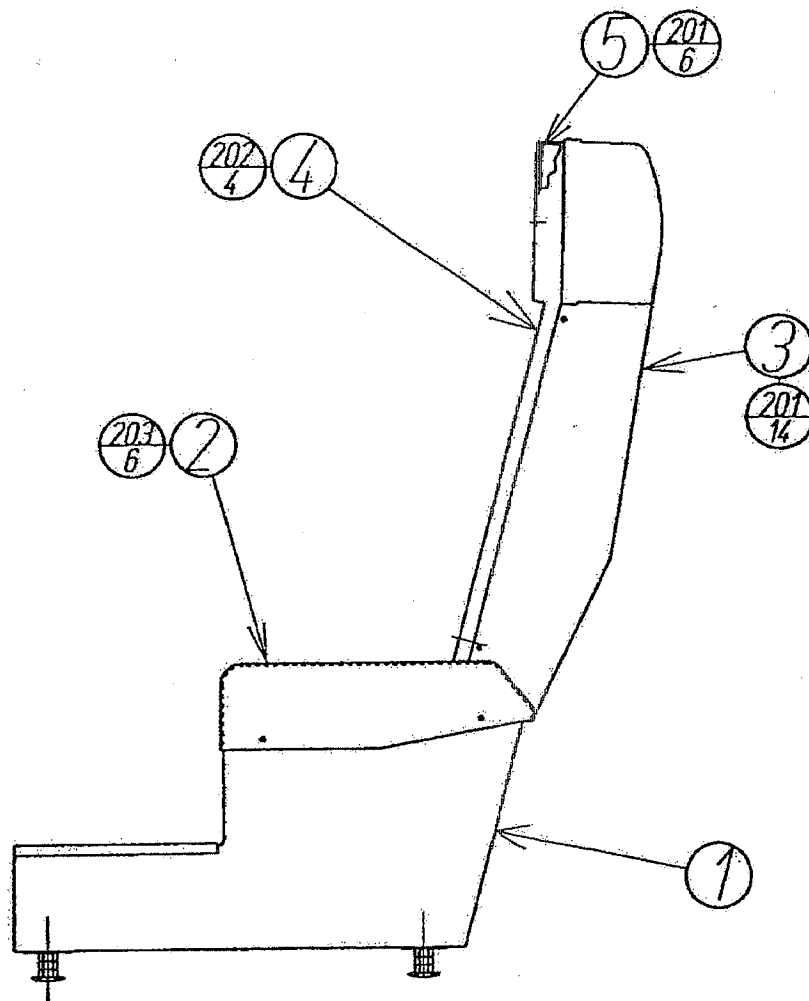


| ITEM NO. | PART NO.  | DESCRIPTION                   |
|----------|-----------|-------------------------------|
| 1        | OUT1-0501 | ASSY SUB-CABINET REAR 1P      |
| 2        | OUT1-0504 | SEAT                          |
| 3        | OUT1-0505 | SEAT REAR 1P                  |
| 4        | EXT1-0506 | SEAT FRONT                    |
| 5        | EXT1-0507 | SPKR GUARD PLATE              |
| 201      | 029-0119  | TMP PRF SCR TH CHROME M4 x 12 |
| 202      | 029-0192  | TMP PRF SCR TH CHROME M5 x 20 |
| 203      | 029-0382  | TMP PRF SCR TH CHROME M5 x 25 |

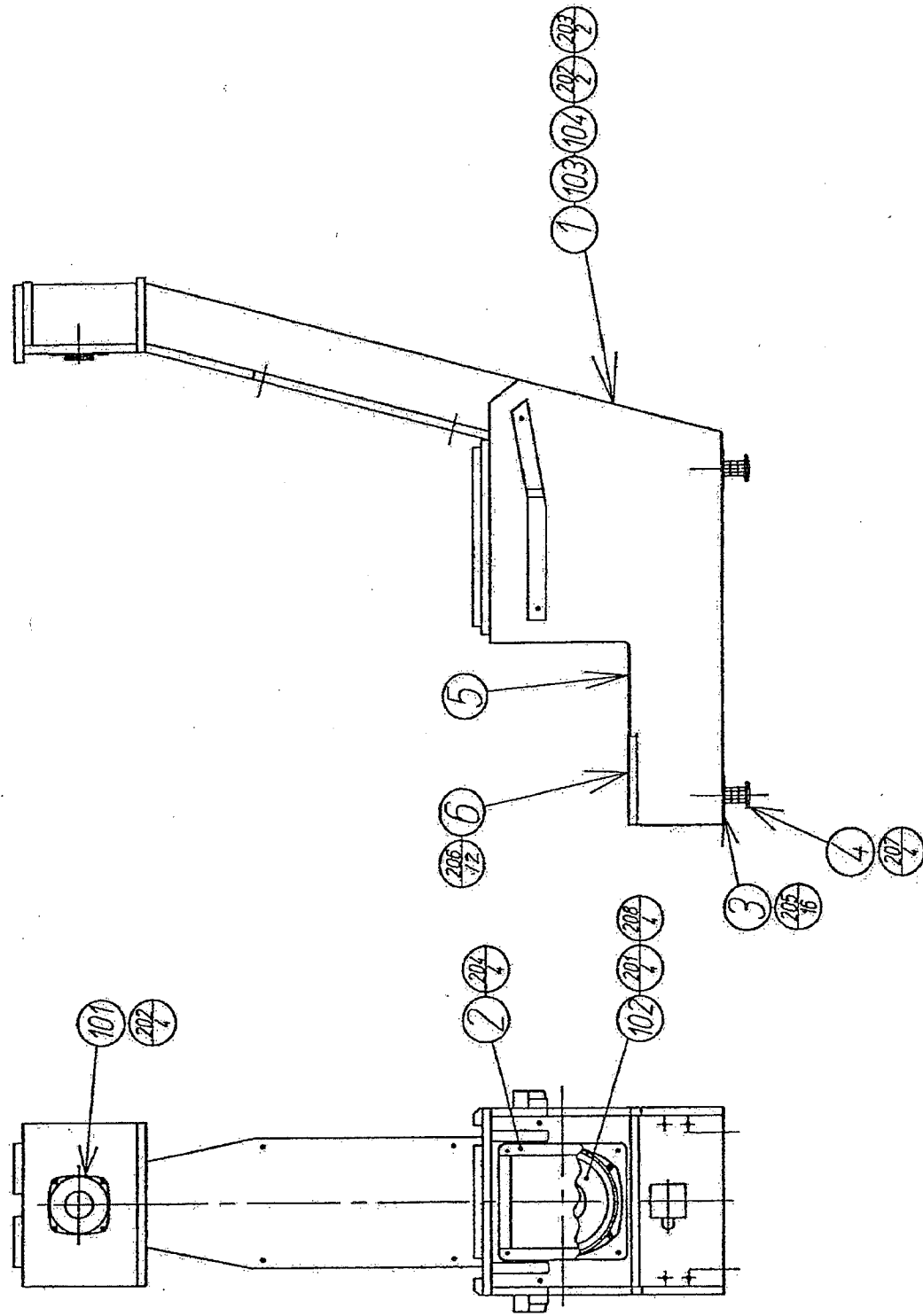


| ITEM NO. | PART NO.    | DESCRIPTION                      |
|----------|-------------|----------------------------------|
| 1        | OUT1-0502   | WOODEN CABINET 1P                |
| 2        | OUT1-0503   | SPEAKER NET                      |
| 3        | BVG1-2061   | LEG ADJUSTER PLATE               |
| 4        | 601-5699    | LEG ADJUSTER BOLT M16 x 75       |
| 5        | OUT1-0506   | MAT                              |
| 6        | OUT1-0507   | SASH                             |
| 101      | 1301-5075   | SPEAKER 8 OHM 10W ø100 2WAY ASSY |
| 102      | 1301-5093   | SPEAKER 4 OHM 60W ø200           |
| 103      | 280-0419    | HARNESS LUG                      |
| 104      | 280-5225    | CORD CLAMP 21                    |
| 201      | 000-0420-S  | M SCR PH W/S M4 x 20             |
| 202      | 005-3513-F  | W SCR RH W/F 3.5 x 13            |
| 203      | 006-3113    | W SCR FH 3.1 x 13                |
| 204      | 008-0416    | TMP PRF SCR TH M4 x 16           |
| 205      | 039-0126    | HEX BLT W/FS M6 x 35             |
| 206      | 046-0001    | SCR NAIL THH STNLS 1.5 x 16      |
| 207      | 059-0022    | HEX NUT M16                      |
| 208      | 069-0007    | FLT WSHR 4.4 -16 x 1.6           |
| 301      | 600-6253-40 | WIRE HARN SPEAKER                |

5 ASSY REAR CABINET 2P (OUT1-0600)

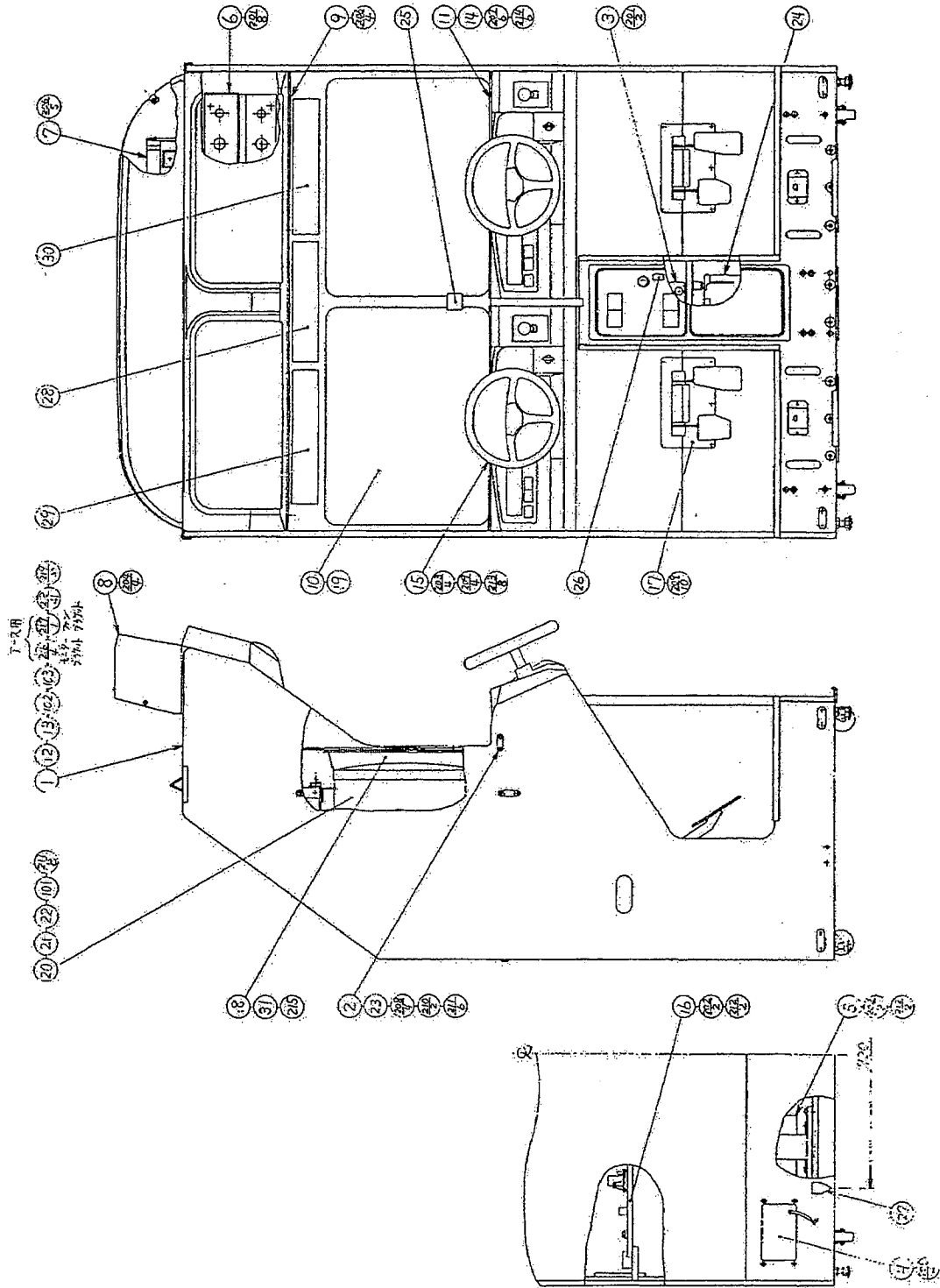


| ITEM NO. | PART NO.  | DESCRIPTION                   |
|----------|-----------|-------------------------------|
| 1        | OUT1-0601 | ASSY SUB-CABINET REAR 2P      |
| 2        | OUT1-0504 | SEAT                          |
| 3        | OUT1-0603 | SEAT REAR 2P                  |
| 4        | EXT1-0506 | SEAT FRONT                    |
| 5        | EXT1-0507 | SPKR GUARD PLATE              |
| 201      | 029-0119  | TMP PRF SCR TH CHROME M4 x 12 |
| 202      | 029-0192  | TMP PRF SCR TH CHROME M5 x 20 |
| 203      | 029-0382  | TMP PRF SCR TH CHROME M5 x 25 |



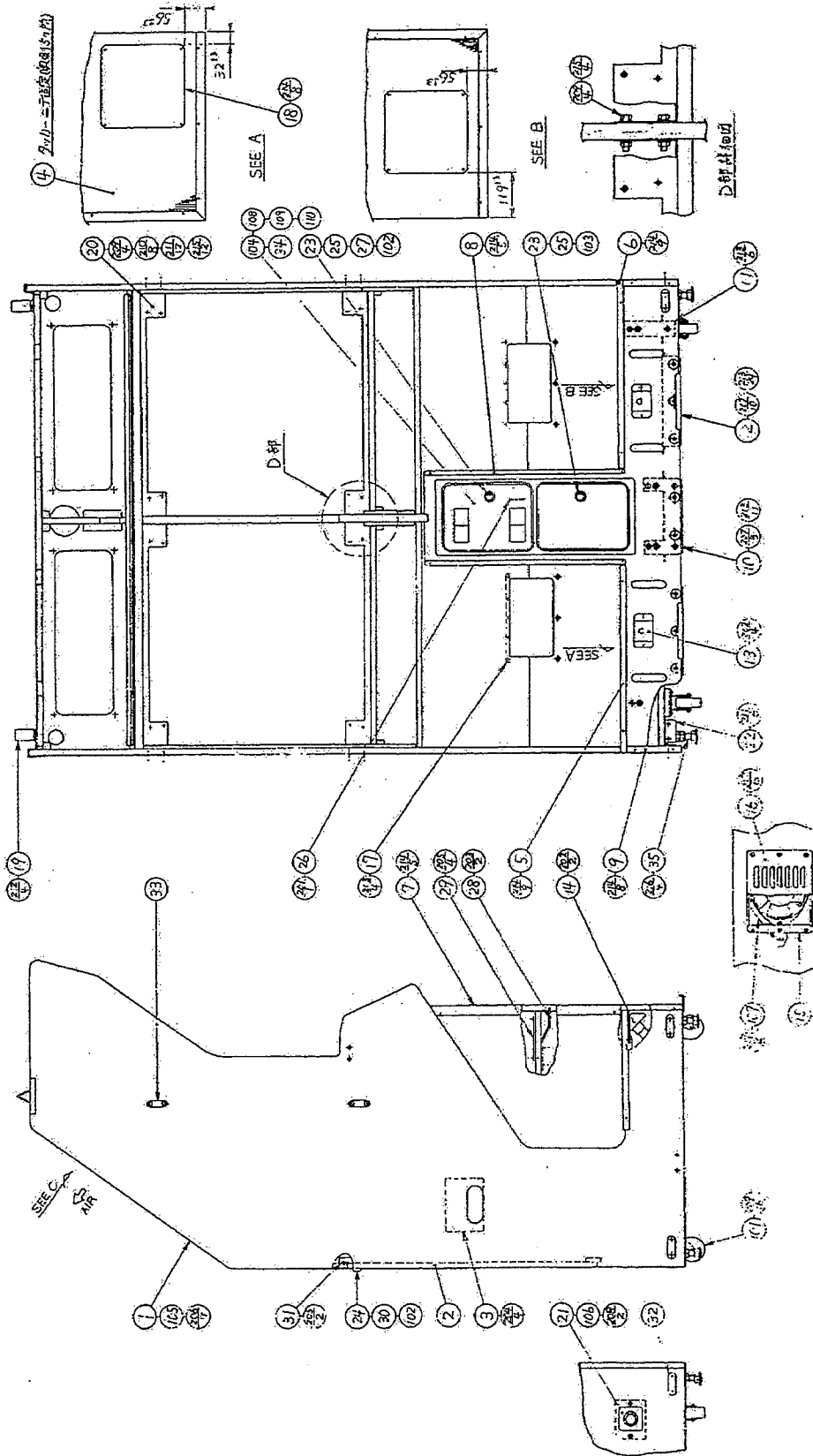
| ITEM NO. | PART NO.    | DESCRIPTION                            |
|----------|-------------|--|
| 1        | OUT1-0602   | WOODEN CABINET 1P                      |
| 2        | OUT1-0503   | SPEAKER NET                            |
| 3        | BVG1-2061   | LEG ADJUSTER PLATE                     |
| 4        | 601-5699    | LEG ADJUSTER BOLT M16 x 75             |
| 5        | OUT1-0506   | MAT                                    |
| 6        | OUT1-0507   | SASH                                   |
| 101      | 1301-5075   | SPEAKER 8 OHM 10W $\phi$ 100 2WAY ASSY |
| 102      | 1301-5093   | SPEAKER 4 OHM 60W $\phi$ 200           |
| 103      | 280-0419    | HARNESS LUG                            |
| 104      | 280-5225    | CORD CLAMP 21                          |
| 201      | 000-0420-S  | M SCR PH W/S M4 x 20                   |
| 202      | 005-3513-F  | W SCR RH W/F 3.5 x 13                  |
| 203      | 006-3113    | W SCR FH 3.1 x 13                      |
| 204      | 008-0416    | TMP PRF SCR TH M4 x 16                 |
| 205      | 039-0126    | HEX BLT W/FS M6 x 35                   |
| 206      | 046-0001    | SCR NAIL THH STNLS 1.5 x 16            |
| 207      | 059-0022    | HEX NUT M16                            |
| 208      | 069-0007    | FLT WSHR 4.4 -16 x 1.6                 |
| 301      | 600-6253-40 | WIRE HARN SPEAKER                      |





| ITEM NO. | PART NO.     | DESCRIPTION                    |                |
|----------|--------------|--------------------------------|----------------|
| 1        | OUT1-1001    | ASSY SUB-CABINET               |                |
| 2        | OUT1-1018    | PANEL MOUNT BRKT               |                |
| 3        | OUT1-1019    | SW UNIT                        |                |
| 4        | OUT1-1021    | AC UNIT                        |                |
| 5        | OUT1-1023    | ASSY XFMR                      |                |
| 6        | OUT1-1025    | LAMP UNIT                      |                |
| 7        | OUT1-1027    | FL UNIT                        |                |
| 8        | OUT1-1032    | ASSY BILLBOARD                 |                |
| 9        | OUT1-1037    | HOLDER                         |                |
| 10       | OUT1-1038    | FRONT GLASS                    |                |
| 11       | OUT1-1039    | GLASS HOLDER                   |                |
| 12       | OUT1-1041    | ASSY WIRE DC                   |                |
| 13       | OUT1-1042    | ASSY WIRE AC                   |                |
| 14       | OUT1-1043    | PLASTIC SASH                   |                |
| 15       | OUT1-20001   | ASSY CONT PANEL EXP            | OTHERS         |
|          | OUT1 20002   | ASSY CONT PANEL MARS           | MARS DOOR TYPE |
| 16       | OUT1-4000    | ASSY PWR SPLY                  |                |
| 17       | RDY-1100-03  | ASSY ACCEL & BRAKE EXT         |                |
| 18       | RDY1-1028    | TV MASK 26 TYPE                |                |
| 19       | RDY-1054     | RUBBER PACKING                 |                |
| 20       | 280-5112     | BUSH FOR TV                    |                |
| 21       | 280 5113     | COLLAR FOR TV                  |                |
| 22       | 280-5114     | SPACER 6.4-25X 2               |                |
| 23       | 117-5235     | PLATE 6-30                     |                |
| 24       | 2531-5366    | CASH BOX                       |                |
| 25       | 4211-7308 ~  | DENOMINATION SHEET 1 GAME ~    |                |
| 27       | 4211-7020    | STICKER CAUTION FORK           |                |
| 28       | 4221-0447-01 | PLAY INSTR SH OUT ENG          |                |
| 29       | 4221-0448    | SUB INSTR SH OUT A             |                |
| 30       | 4221-0449    | SUB INSTR SH OUT B             |                |
| 31       | OUT1-1044    | CUSHION                        |                |
| 101      | 2001-5187-15 | ASSY CLR DSPL 26 TYPE 15K 100V |                |
|          | 2001-5195-15 | ASSY CLR DSPL 26 TYPE 15K 100V |                |
| 102      | 280-0419     | HARNES LUG                     |                |
| 103      | 280-5225     | CORD CLAMP 21                  |                |
| 104      | 280-5126     | CORD CLAMP 25                  |                |
| 201      | 000-0420 FS  | M SCR PH W/FS M4 x 20          |                |
| 202      | 000-0530 S   | M SCR PH W/S M5 x 30           |                |
| 203      | 029-0050     | TMP PRF SCR BH M8 x 30         |                |
| 204      | 029-0062     | M SCR TH CRM M5 x 12           |                |
| 205      | 029-0337     | TMP PRF SCR TH CRM M4 x 20     |                |
| 206      | 029-0404     | M SCR TH CRM M5 x 16           |                |
| 207      | 029-0444     | TMP PRF SCR BH CRM M8 x 20     |                |
| 208      | 039-0087     | CRG BLT CRM M6 x 30            |                |
| 209      | 039-0154     | HEX BLT BLK W/FS M8 x 30       |                |
| 210      | 039-0126     | HEX BLT W/FS M6 x 35           |                |
| 211      | 051-0006     | FLG NIT M6                     |                |
| 212      | 069-0001     | FLT WSHR 5.5-20 x 1.6          |                |
| 213      | 069-0048     | FLT WSHR BLK 8.5-22 x 1.6      |                |
| 214      | 069-0087     | FLT WSHR CROME M8              |                |

| ITEM NO. | PART NO.    | DESCRIPTION                      |
|----------|-------------|----------------------------------|
| 215      | 090-0009    | DOUBLE FACE TAPE 10mm X 50M/ROLL |
| 216      | 000-0406-FS | M SCR PH W/FS M4X6               |
| 217      | 051-0004    | FLG NUT M4                       |
| 218      | 005-3510    | W SCR RH 3.5X10                  |
| 219      | 006-3113    | W SCR FH 3.1X13                  |
| 301      | 600-6253-60 | WIRE HARN EARTH CABI             |

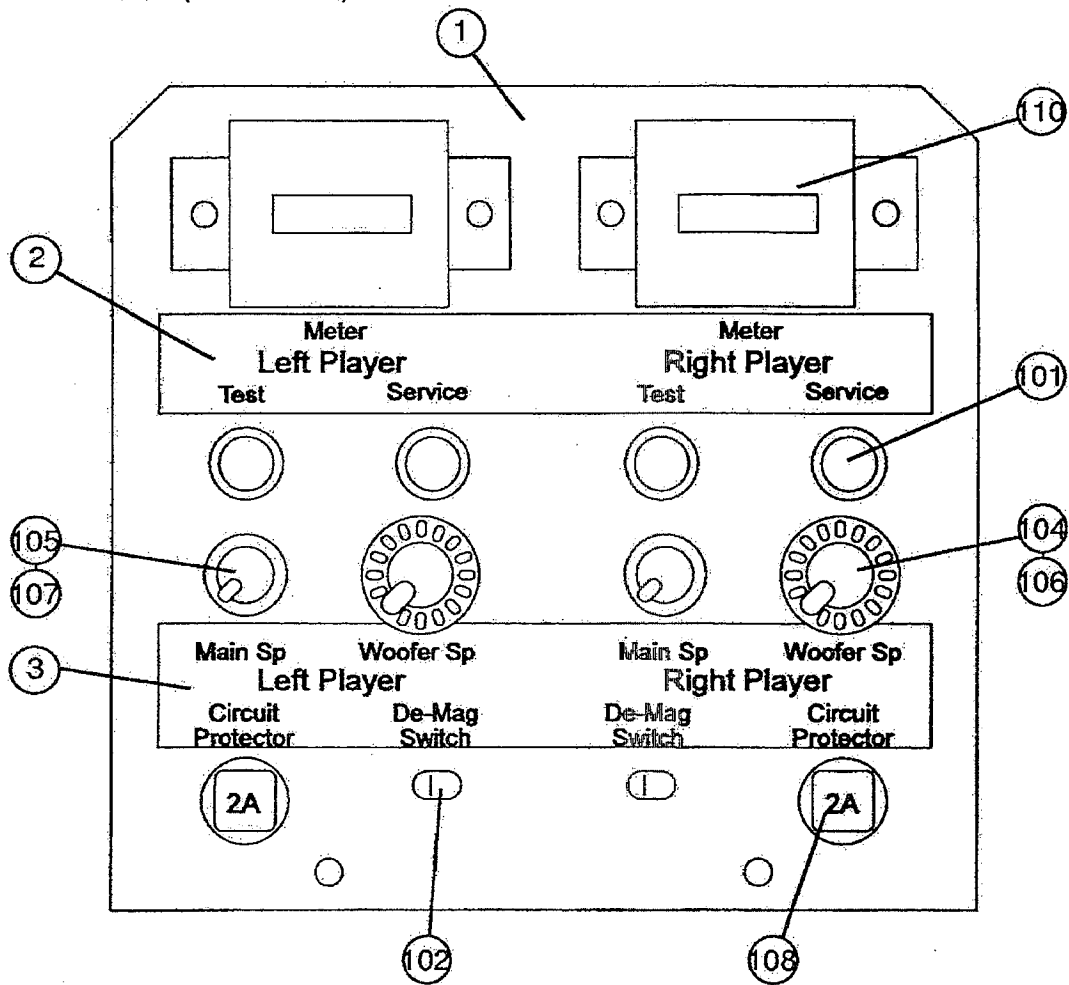


| ITEM NO. | PART NO.    | DESCRIPTION                      |
|----------|-------------|----------------------------------|
| 1        | OUT1-1002   | WOODEN FRONT CABINET             |
| 2        | OUT1-1003   | BACK DOOR                        |
| 3        | OUT1-1004   | COVER BOARD                      |
| 4        | OUT1-1005   | FLOOR MAT                        |
| 5        | OUT1-1006   | CORNER PROTECTOR-L               |
| 6        | OUT1-1007   | CORNER PROTECTOR-R               |
| 7        | OUT1-1008   | CENTER PROTECTOR-L               |
| 8        | OUT1-1009   | CENTER PROTECTOR-R               |
| 9        | OUT1-1010   | UNDER PROTECTOR                  |
| 10       | OUT1-1011   | NUT PLATE CENTER                 |
| 11       | OUT1-1012   | NUT PLATE SIDE                   |
| 12       | OUT1-1013   | HOOK BRKT                        |
| 13       | OUT1-1014   | CONN BRKT 4P                     |
| 15       | OUT1-1016   | FAN BRACKET                      |
| 16       | OUT1-1017   | AIR VENT                         |
| 17       | RDY1-1047   | NUT PLATE                        |
| 18       | RDY1-1049X  | HEEL PROTECTOR                   |
| 19       | BVG1-0033   | SHIPPING BRKT S                  |
| 20       | BVG1-1503X  | MONITOR BRKT                     |
| 21       | BVG1-1025   | COMMUNICATION PLATE              |
| 22       | ARC1-1006   | LEG BRACKET                      |
| 24       | DP1-1148X   | LKG TNG                          |
| 28       | 1051-5169   | LOCK BRACKET W                   |
| 29       | 1051-5173   | CHUTE PLATE MARS                 |
| 30       | 1171-0062   | PLATE LOCK RETAINER              |
| 31       | 1171-0063   | PLATE TONGUE RETAINER            |
| 32       | 1171-5216   | PLATE LEG BRACKET                |
| 33       | 1171-5234   | PLATE 6-40                       |
| 35       | 6011-5699   | LEG ADJUSTER BOLT M16X 75        |
| 101      | 6011-5471   | CASTER                           |
| 102      | 220-5380    | MAG LOCK MASTER W/O KEY          |
| 104      | 220-5374    | DBL DOOR FRAME W/CASH DOOR       |
|          | 220-5128~   | ASSY COIN CHUTE 2DOOR~           |
|          |             | MARS DOOR TYPE<br>OTHERS         |
| 105      | 280-0419    | HARNESS LUG                      |
| 106      | 280-5234    | RUBBER GROMMET $\phi$ 26 W/COVER |
| 107      | 2601-0035   | FAN MOTOR DC 12V (2 per)         |
| 108      | 280-0425    | CORD CLAMP $\phi$ 10             |
| 109      | 280-5008    | CORD CLAMP $\phi$ 15             |
| 110      | 601-0460    | PLASTIC TIE BELT                 |
| 201      | 000-0308-FS | M SCR PH W/FS M3 x 8             |
| 202      | 000-0412-FS | M SCR PH W/FS M4 x 12            |
| 203      | 000-0420-FS | M SCR PH W/FS M4 X 20            |
| 204      | 000-0430-FS | M SCR PH W/FS M4 X 30            |
| 205      | 005-3113-F  | W SCR RH W/F 3.1 x 13            |
| 206      | 005-3510    | W SCR RH 3.5 x 10                |
| 207      | 005-3516-F  | W SCR RH W/F 3.5 X 16            |

| ITEM NO. | PART NO.      | DESCRIPTION                         |
|----------|---------------|-------------------------------------|
| 208      | 029-0337      | TMP PRF SCR TH CRM M4 x 20          |
| 209      | 039-0126      | HEX BLT W/FS M6 X 35                |
| 210      | 039-0127      | CRG BLT CRM M6 X 40                 |
| 211      | 039-0150      | HEX BLT W/FS M6 X 25                |
| 212      | 039-0154      | HEX BLT BLK W/FS M8 X 30            |
| 213      | 039-0159      | HEX BLT W/FS M6 X 20                |
| 214      | 046-0001      | SCR NAIL THH STNLS 1.5 x 16         |
| 215      | 051-0006      | FLG NUT M6                          |
| 216      | 059-0022      | HEX NUT M16                         |
| 217      | 008-T00425-OC | TMP PRF SCR TH CRM M4 X 25          |
| 301      | 600-6253-30   | WIRE HARN EXT SPEAKER               |
| 303      | 600-6253-65   | WIRE HARN DC BLE COIN               |
| 304      | 600-6253-66   | WIRE HARN MARS COIN SW              |
| 305      | 600-6253-34   | WIRE HARN FAN MOTOR                 |
| 306      | 600-6253-35   | WIRE HARN EARTH COIN FRAME          |
| /        | 600-6253-67   | WIRE HARN PLAYER SELECT (NOT SHOWN) |

THIS PAGE LEFT INTENTIONALLY BLANK

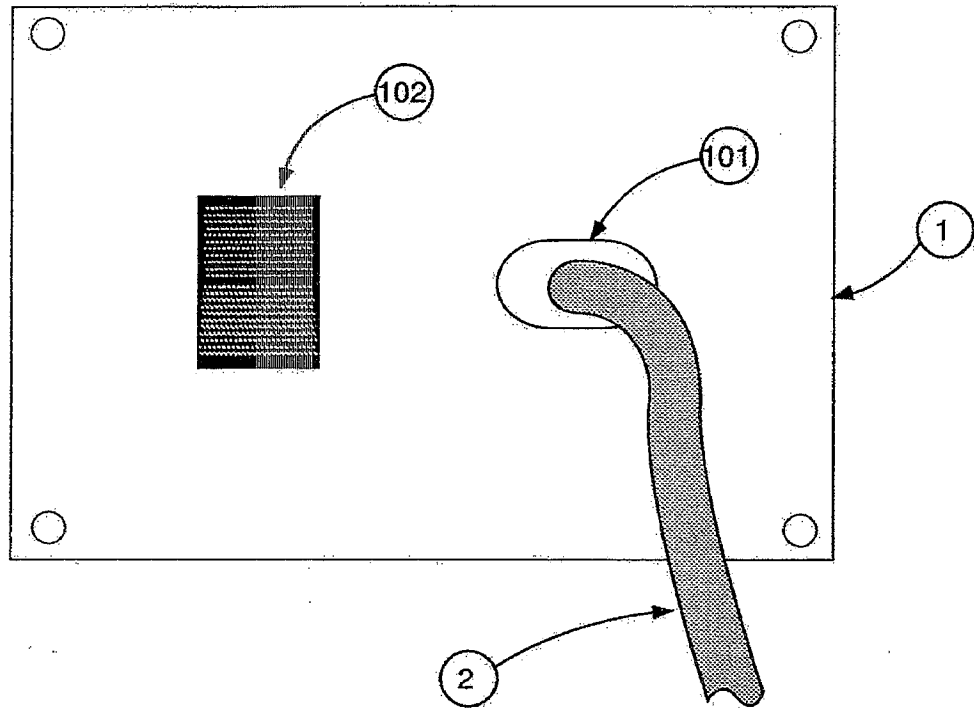
10 SW UNIT (OUT1-1001)



| ITEM NO. | PART NO.     | DESCRIPTION                        |
|----------|--------------|------------------------------------|
| 1        | OUT1-1020    | SW BRACKET                         |
| 2        | 0003-033-000 | STICKER UPPER SW UNIT              |
| 3        | 0003-034-000 | STICKER LOWER SW UNIT              |
| 101      | 5091-5028    | SW PB 1M                           |
| 102      | 5091-5374    | SW PB 1M 3A 125V                   |
| 104      | 2201-5179    | VOL CONT B-5K OHM                  |
| 105      | 220-5420     | RHEO STAT 100 OHM 10W              |
| 106      | 6011-0042    | KNOB                               |
| 107      | 6011-6999    | KNOB W/ PLASTIC BUSHING            |
| 108      | 5121-5006    | CIRCUIT PROTECTOR NRF110-2A        |
| 109      | 6011-0460    | PLASTIC TIE BELT 100mm (NOT SHOWN) |
| 110      | 2201-5064-01 | MAG CNTR 6DIG DC5V W/L&DIO         |



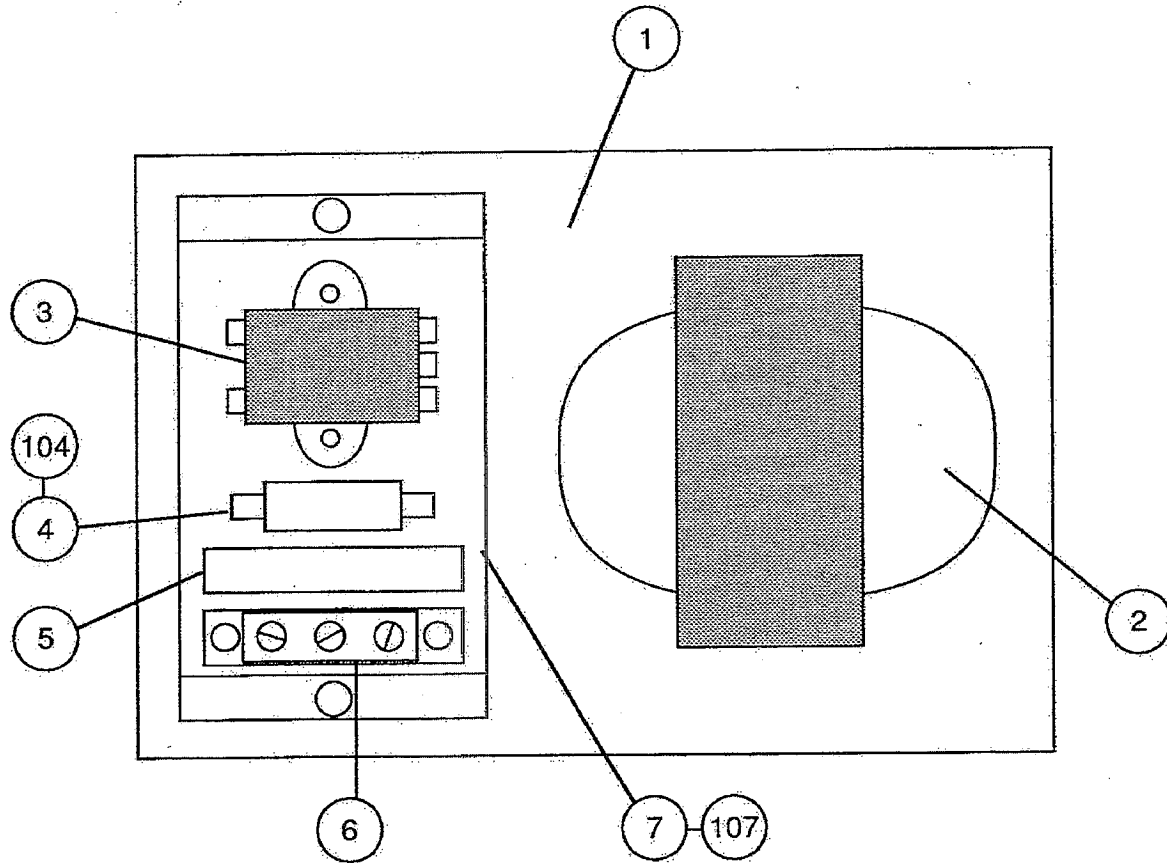
11 AC UNIT (OUT1-1021)



| ITEM NO. | PART NO.     | DESCRIPTION                   |
|----------|--------------|-------------------------------|
| 1        | 6001-0110    | AC LINE CORD                  |
| 2        | OUT1-1022    | AC BRKET                      |
| 101      | 2801-5134    | BUSHING STRAIN RELIEF         |
| 102      | 509-5453-V-B | SW ROCKER J8 V-B (MATSUSHITA) |

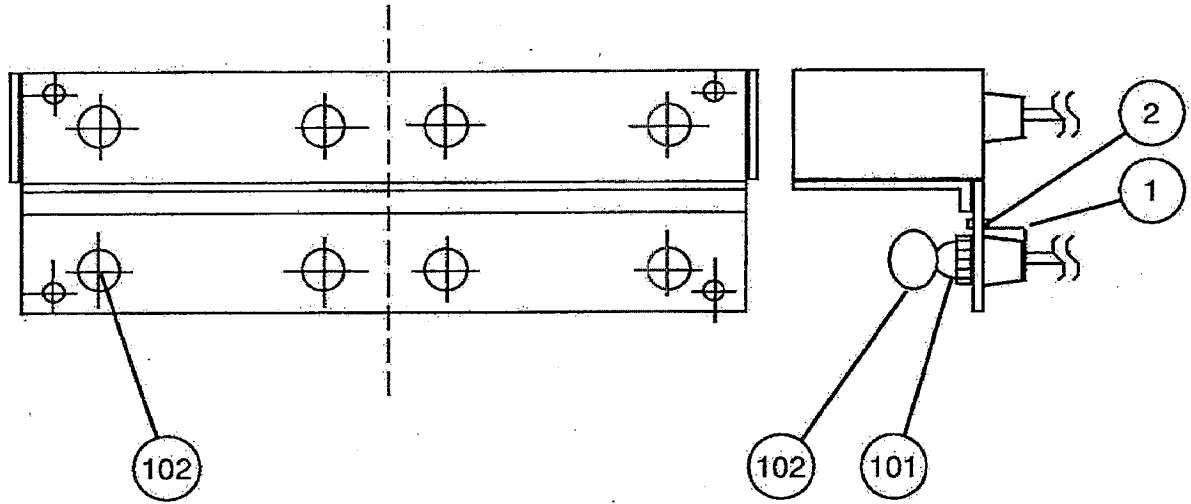
THIS PAGE LEFT INTENTIONALLY BLANK

12 AC XFMR (OUT1-1023)



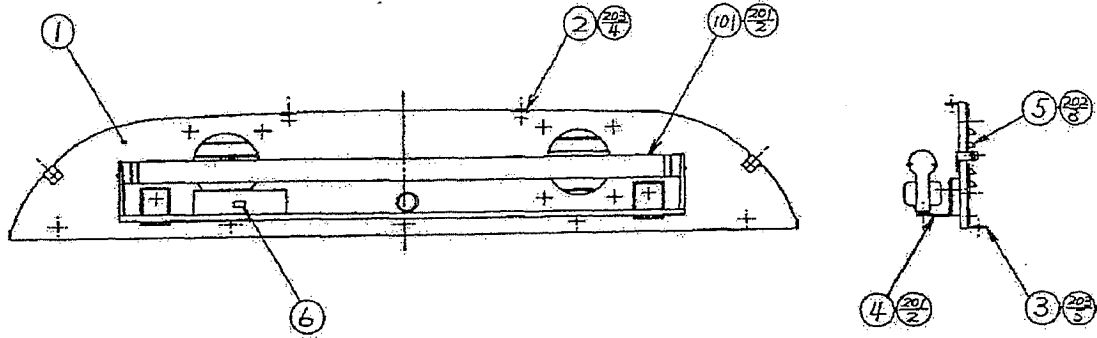
| ITEM NO. | PART NO.     | DESCRIPTION               |
|----------|--------------|---------------------------|
| 1        | S113-605-000 | WOOD BASE                 |
| 2        | 0053-073-000 | TRANSFORMER               |
| 3        | 0053-010-200 | LINE FILTER, 20A EMI20    |
| 4        | 0057-004-000 | FUSE                      |
| 5        | 0003-010-000 | FUSE LABEL                |
| 6        | 6001-6253-64 | GROUND BRACKET            |
| 7        | S112-531-000 | PROTECTIVE SHIELD         |
| 104      | 0057-010-000 | FUSE HOLDER, O1 POS, U.L. |
| 107      | 0003-05-000  | "HIGH VOLTAGE" LABEL      |

13 LAMP UNIT (OUT1-1025)



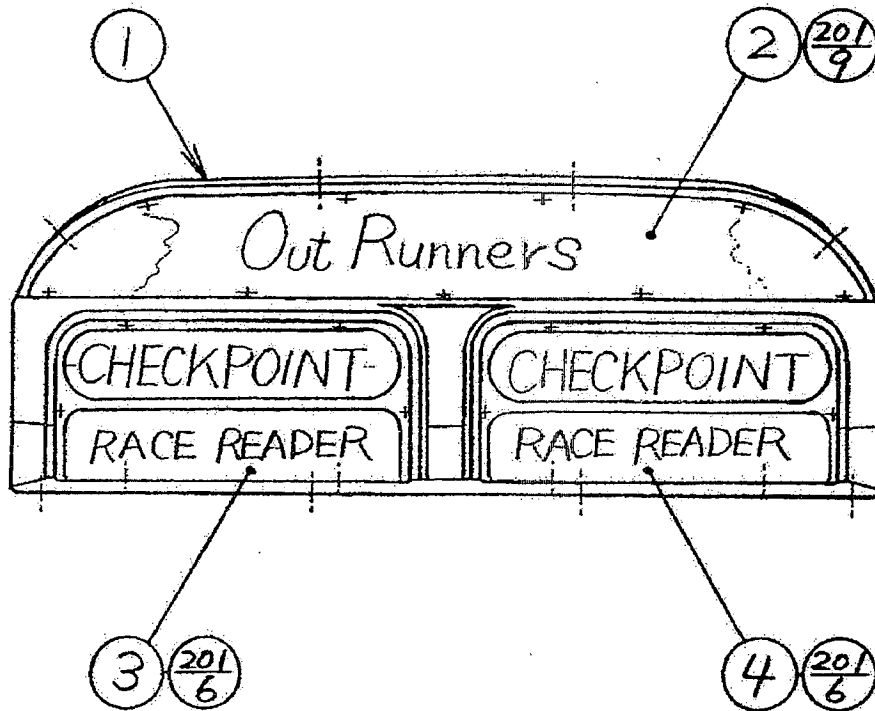
| ITEM NO. | PART NO.     | DESCRIPTION                              |
|----------|--------------|--|
| 1        | OUT1-1026    | SOCKET BRACKET                           |
| 2        | 012-0632ST   | 6 x 32 SELF TAPPING (FOR CHASSIS GROUND) |
| 101      | 2141-0118    | LAMP SOCKET                              |
| 102      | 3901-5257-01 | LAMP, 110V 15W FROST                     |
| 301      | 600-6253-46  | WIRE HARN LAMP UNIT                      |

14 FL UNIT (OUT1-1027)



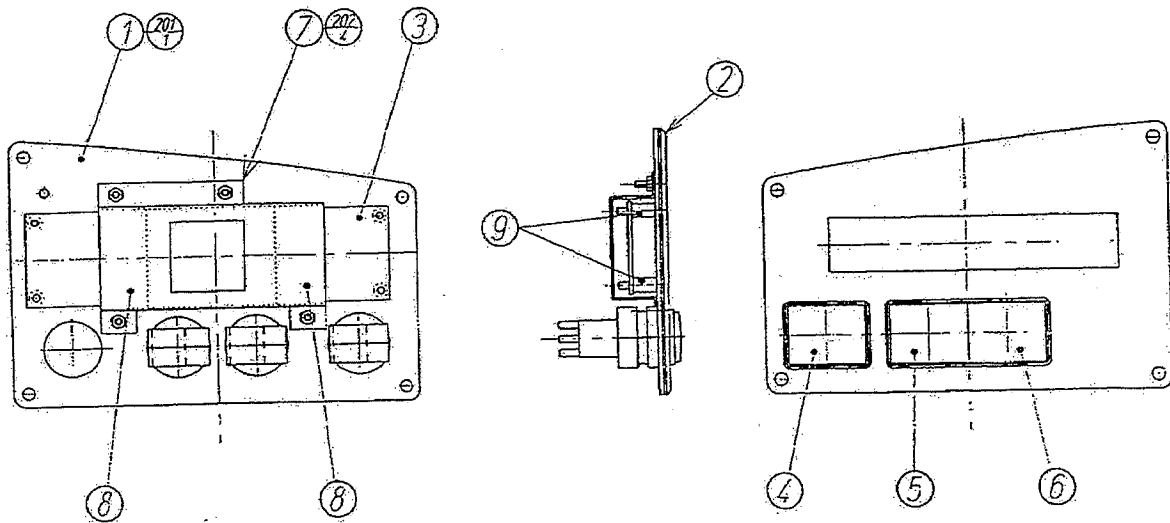
| ITEM NO. | PART NO.        | DESCRIPTION            |
|----------|-----------------|------------------------|
| 1        | OUT1-1028       | BASE                   |
| 2        | OUT1-1029       | BILLBOARD BRACKET      |
| 3        | OUT1-1030       | STOPPER BRACKET        |
| 4        | OUT1-1031       | FL BRACKET             |
| 5        | OUT1-1040       | AIR VENT               |
| 101      | 3901-5276-32-01 | ASSY FL UNIT 30W EX    |
| 102      | 601-0460        | PLASTIC TIE BELT 100mm |
| 201      | 000-0414-FS     | M SCR PH W/FS M4x 14   |
| 202      | 029-0014        | M SCR TH CRM M4 x 12   |
| 203      | 029-0404        | M SCR TH CRM M5x 16    |
| 301      | 600-6253-47     | WIRE HARN FL UNIT      |

15 ASSY BILLBOARD (OUT1-1032)



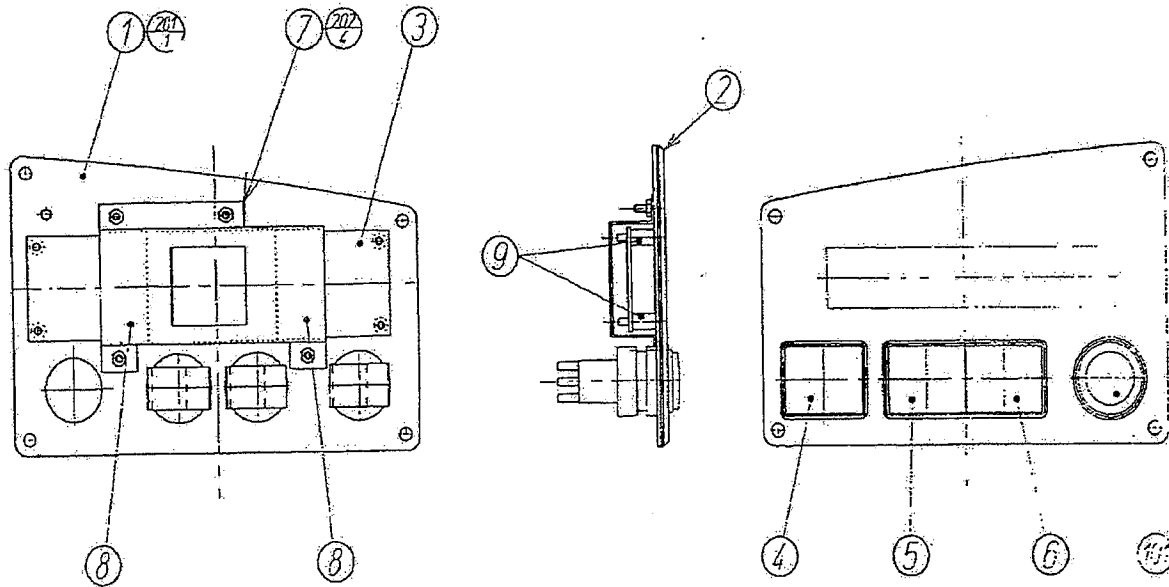
| ITEM NO. | PART NO.    | DESCRIPTION          |
|----------|-------------|----------------------|
| 1        | OUT1-1033   | BILLBOARD COVER      |
| 2        | OUT1-1034   | TOP PANEL OUTFUNNERS |
| 3        | OUT1-1035.Y | BILLBOARD RED        |
| 4        | OUT1-1036X  | BILLBOARD BLUE       |
| 201      | 029-0014    | M SCR TH CRM M4 X 12 |

16 .ASSY RADIO (OUT-2008)



| ITEM NO. | PART NO.    | DESCRIPTION           |
|----------|-------------|-----------------------|
| 1        | OUT-2009    | RADIO PLATE           |
| 2        | OUT-2010    | RADIO PANEL           |
| 3        | 838-9612    | ASSY LCD W/CONN       |
| 4        | 509 5495 01 | PUSH BUTTON DJ/MUSIC  |
| 5        | 509-5495-02 | PUSH BUTTON MUSIC     |
| 6        | 509-5495-03 | PUSH BUTTON SELECT    |
| 7        | OUT-2020    | LCD HOLDER            |
| 8        | OUT-2021    | CUSHION               |
| 9        | 280-5185-10 | SPACER TUBE L=10      |
| 201      | 051-0004    | FLC NUT M4            |
| 202      | 051 0003    | FLC NUT M3            |
| 301      | 600-6253 57 | WIRE HARN RADIO SW    |
| 302      | 600-6253-59 | WIRE HARN LCD         |
| 303      | 600-6253-63 | WIRE HARN EARTH RADIO |

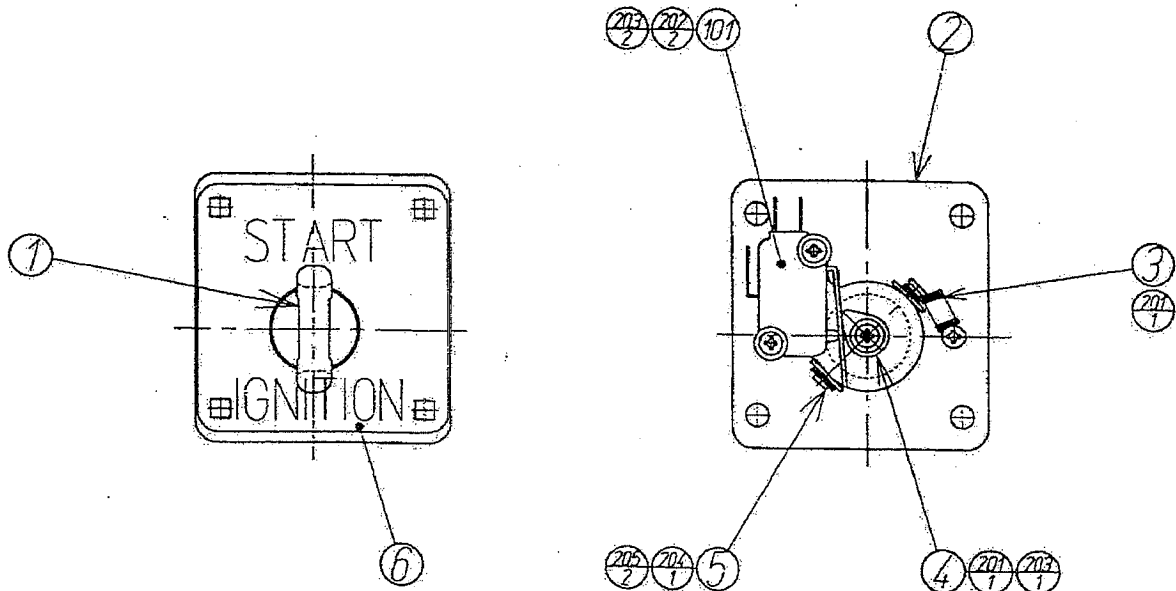
17 ASSY RADIO (OUT-2024)



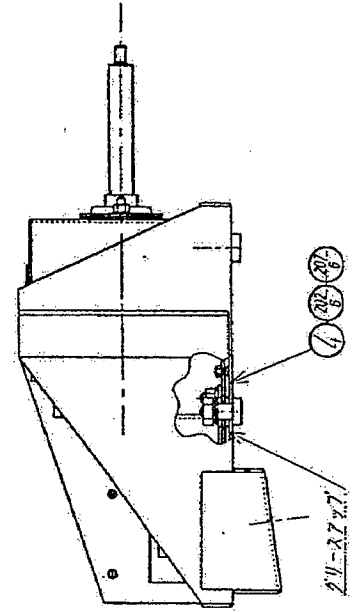
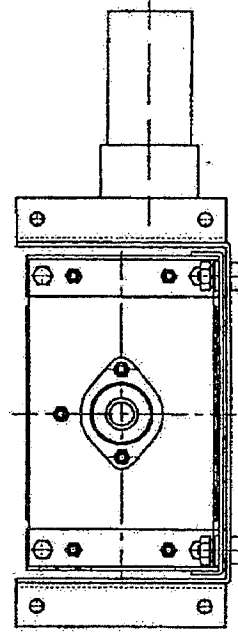
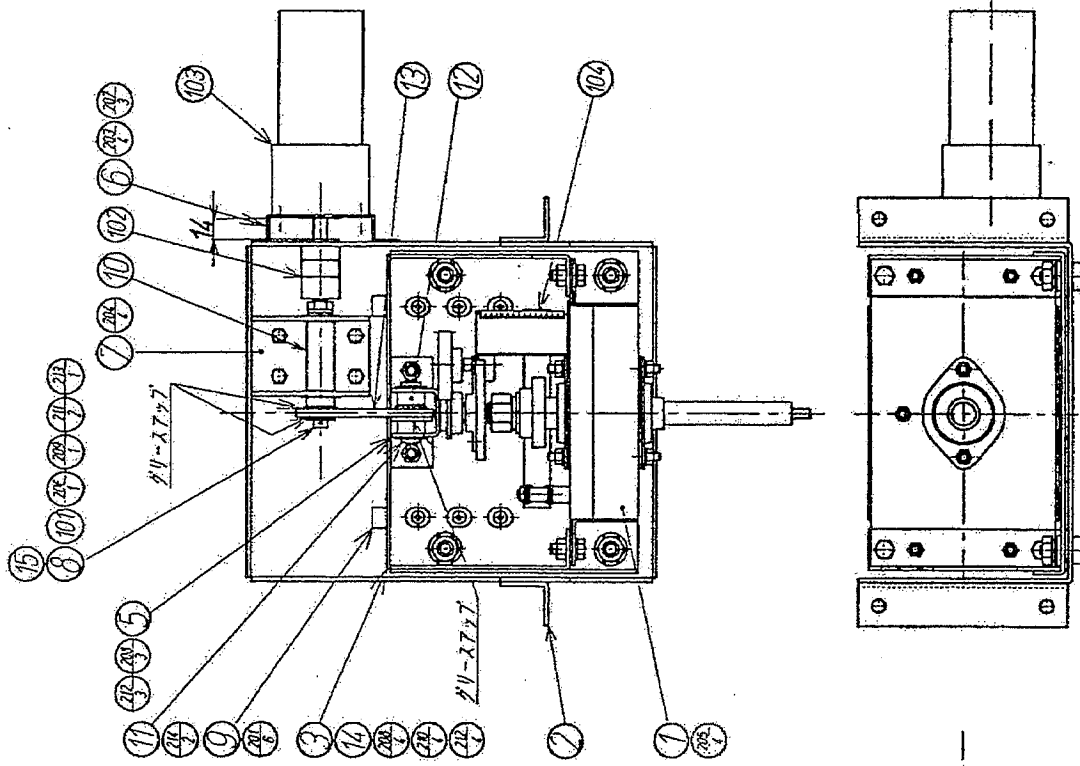
| ITEM NO. | PART NO.    | DESCRIPTION                    |
|----------|-------------|--------------------------------|
| 1        | OUT-2009    | RADIO PLATE                    |
| 2        | OUT-2023    | RADIO PANEL MARS               |
| 3        | 838-9612    | ASSY LCD W/CONN                |
| 4        | 509-5495-01 | PUSH BUTTON DJ/MUSIC           |
| 5        | 509-5495-02 | PUSH BUTTON MUSIC              |
| 6        | 509-5495-03 | PUSH BUTTON SELECT             |
| 7        | OUT-2020    | LCD HOLDER                     |
| 8        | OUT-2021    | CUSHION                        |
| 9        | 280 5185-10 | SPACER TUBE L=10               |
| 101      | 509-5440    | PUSH BTN SW IT GREEN W/L DCIIV |
| 201      | 051-0004    | FLG NUT M4                     |
| 202      | 051-0003    | FLG NUT M3                     |
| 301      | 600-6253-57 | WIRE HARN RADIO SW             |
| 302      | 600-6253-59 | WIRE HARN LCD                  |
| 303      | 600-6253-63 | WIRE HARN EARTH RADIO          |
| 304      | 600-6253-71 | WIRE HARN PLAYER SEL SW        |



18 ASSY KEY (OUT-2011)

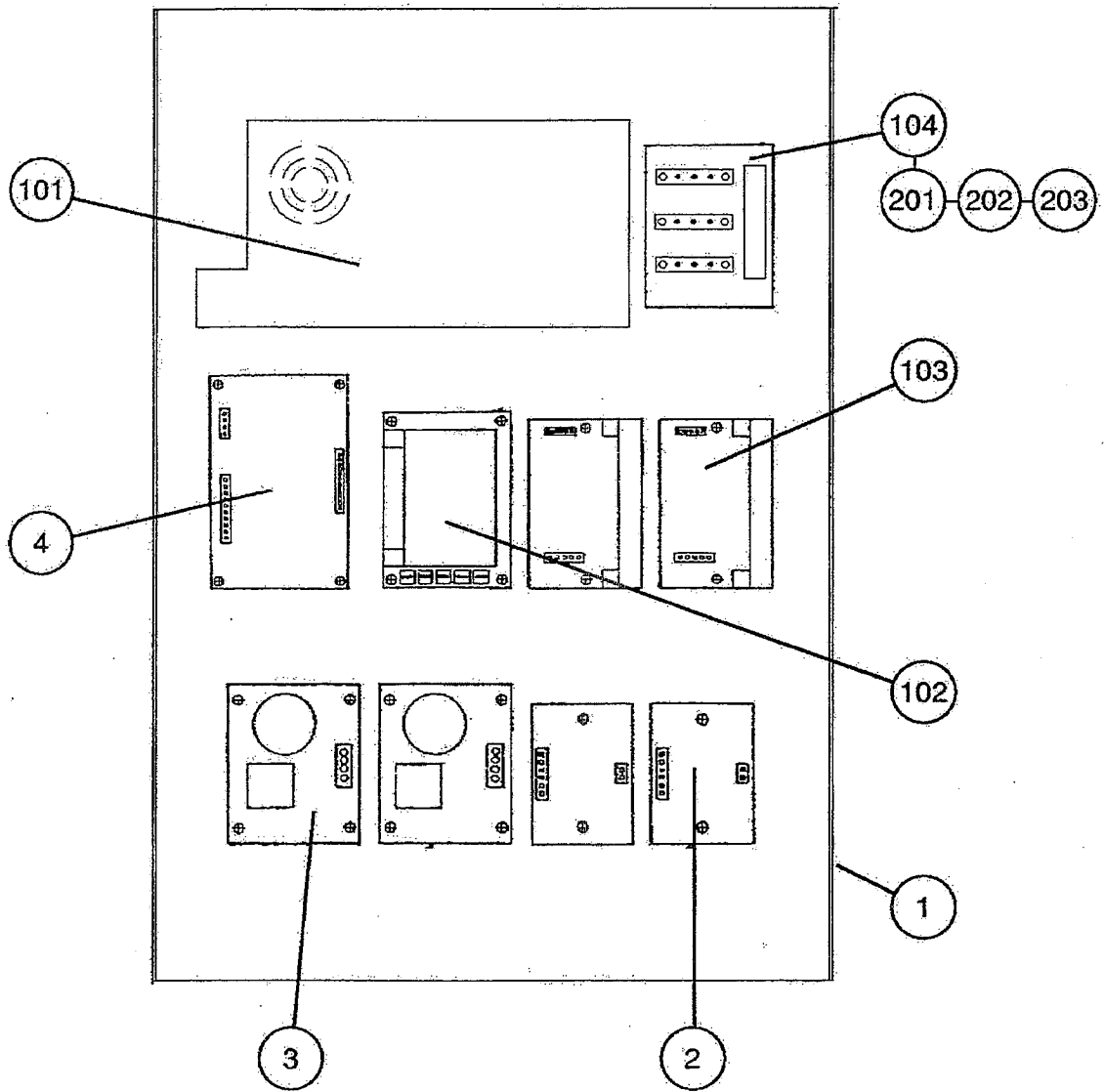


| ITEM NO. | PART NO.    | DESCRIPTION                          |
|----------|-------------|--------------------------------------|
| 1        | OUT-2012    | KEY                                  |
| 2        | OUT-2013    | HOUSING                              |
| 3        | OUT-2014    | EXT SPRING                           |
| 4        | OUT-2015    | CAM                                  |
| 5        | OUT-2016    | PIN                                  |
| 6        | OUT 2019    | PLATE IGNITION                       |
| 101      | 509-5507    | SW MICRO TYPE (MATSUSHITA AM50012C5) |
| 201      | 012-P00306  | TAP SCR PH 3 x 6                     |
| 202      | 012-0320    | TAP SCR PH 3 x 20                    |
| 203      | 060 0003    | FLT WSHR M3                          |
| 204      | 065-0003    | E RING 3mm                           |
| 205      | 060-0004    | FLT WSHR M4                          |
| 301      | 600-6253-56 | WIRE HARN KFY SW                     |

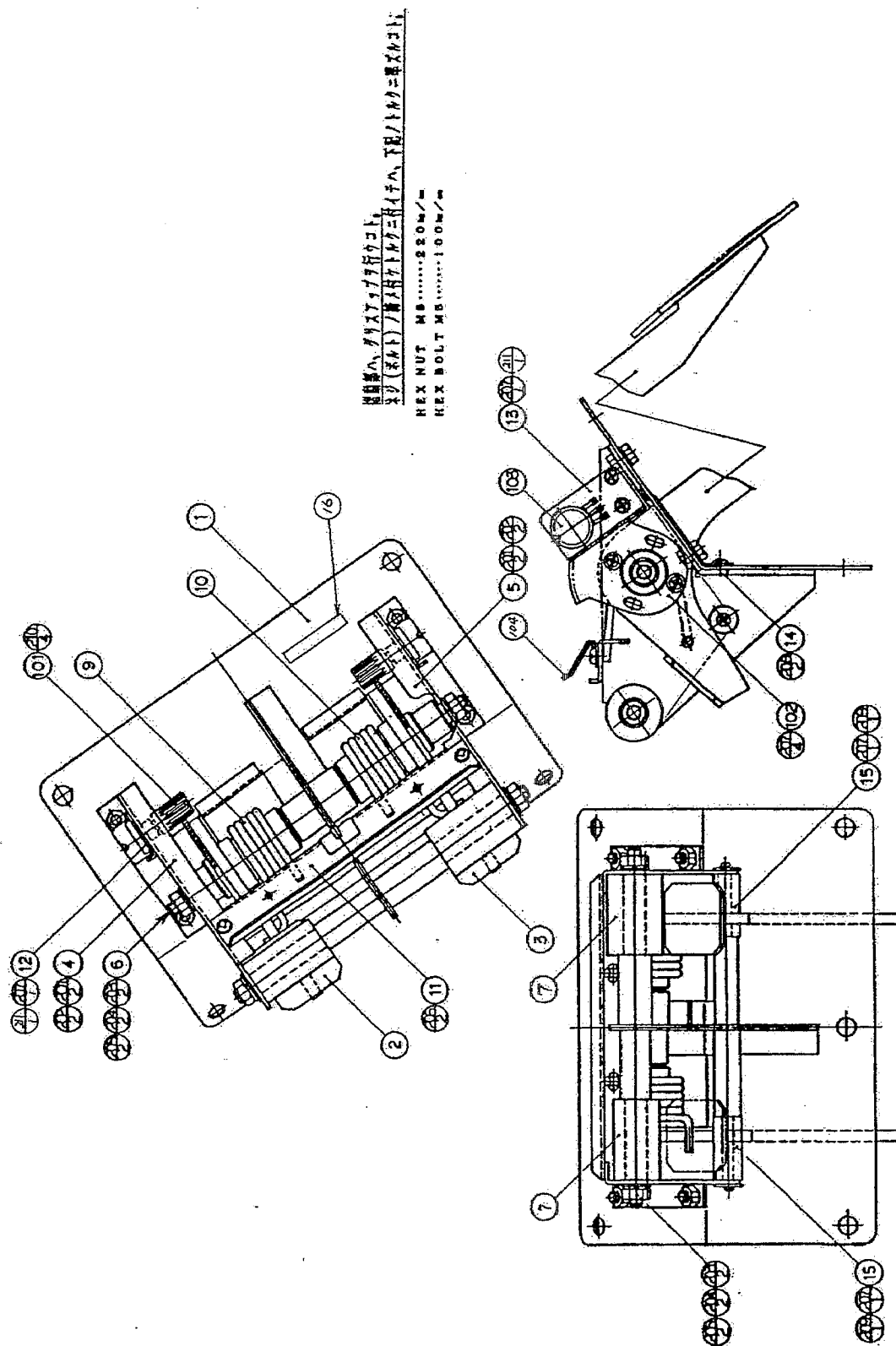


- 註 1. ネジ部ハ全テネジロック使用ノコト  
 2. 摺動部及ギアノカミ合イ部ニハグリ-スア-ップノコト  
 3. ネジ締メ付ケトルク  
 M4 (SET SCR) 25kg/cm  
 M6 80kg/cm  
 M8 140kg/cm  
 4. 取付ケハ上カニ押ツケテ固定ノコト

| ITEM NO. | PART NO.     | DESCRIPTION                |
|----------|--------------|----------------------------|
| 1        | RDY-2100     | ASSY HANDLE MECHA          |
| 2        | OUT-2101     | BASE                       |
| 3        | OUT-2102     | SLIDE BASE                 |
| 4        | OUT-2103     | SLIDER                     |
| 5        | OUT-2104     | JOINT BRACKET              |
| 6        | OUT-2105     | MOTOR BRACKET              |
| 7        | OUT-2106     | SHAFT BRACKET              |
| 8        | OUT-2107     | CAM SHAFT                  |
| 9        | OUT-2108     | SLIDE GUIDE                |
| 10       | OUT-2109     | COLLAR L                   |
| 11       | OUT-2110     | JOINT PIN                  |
| 12       | OUT-2111     | COLLAR                     |
| 13       | OUT-2112X    | JOINT BAR                  |
| 14       | OUT-2113     | SLIDE SPACER               |
| 15       | OUT-2114     | SPACER                     |
| 101      | 100-5165     | BEARING $\phi$ 15 W/FLANGE |
| 102      | 111-0036     | COUPLING (MIKI J-050-T5)   |
| 103      | 350-5142-01  | MOTOR DC45V W/HOLE         |
| 104      | 601-5526-060 | BUSH 1.6t                  |
| 105      | 209-0023     | CONN CLOSED END            |
| 201      | 000-0510-FS  | M SCR PH W/FS M5X10        |
| 202      | 001-0410     | M SCR FH M4X10             |
| 203      | 000-0410-FS  | M SCR PH W/FS M4x10        |
| 204      | 039-0160     | HEX BLT W/FS M6 x 16       |
| 205      | 039-0124     | HEX BLT W/FS M8x20         |
| 206      | 045-0022     | COT PIN 2.5X20             |
| 207      | 051-0004     | FLG NUT M4                 |
| 208      | 050-0008     | HEX NUT M8                 |
| 209      | 059-0038     | HEX NUT M10                |
| 210      | 060 0008     | FLT WSHR M8                |
| 211      | 060-0010     | FLT WSHR M10               |
| 212      | 061-0008     | SPR WSHR M8                |
| 213      | 061-0010     | SPR WSHR M10               |
| 214      | 065-0012     | E RING 12mm                |
| 301      | 600-6253-62  | WIRE HARN DC MOTOR         |

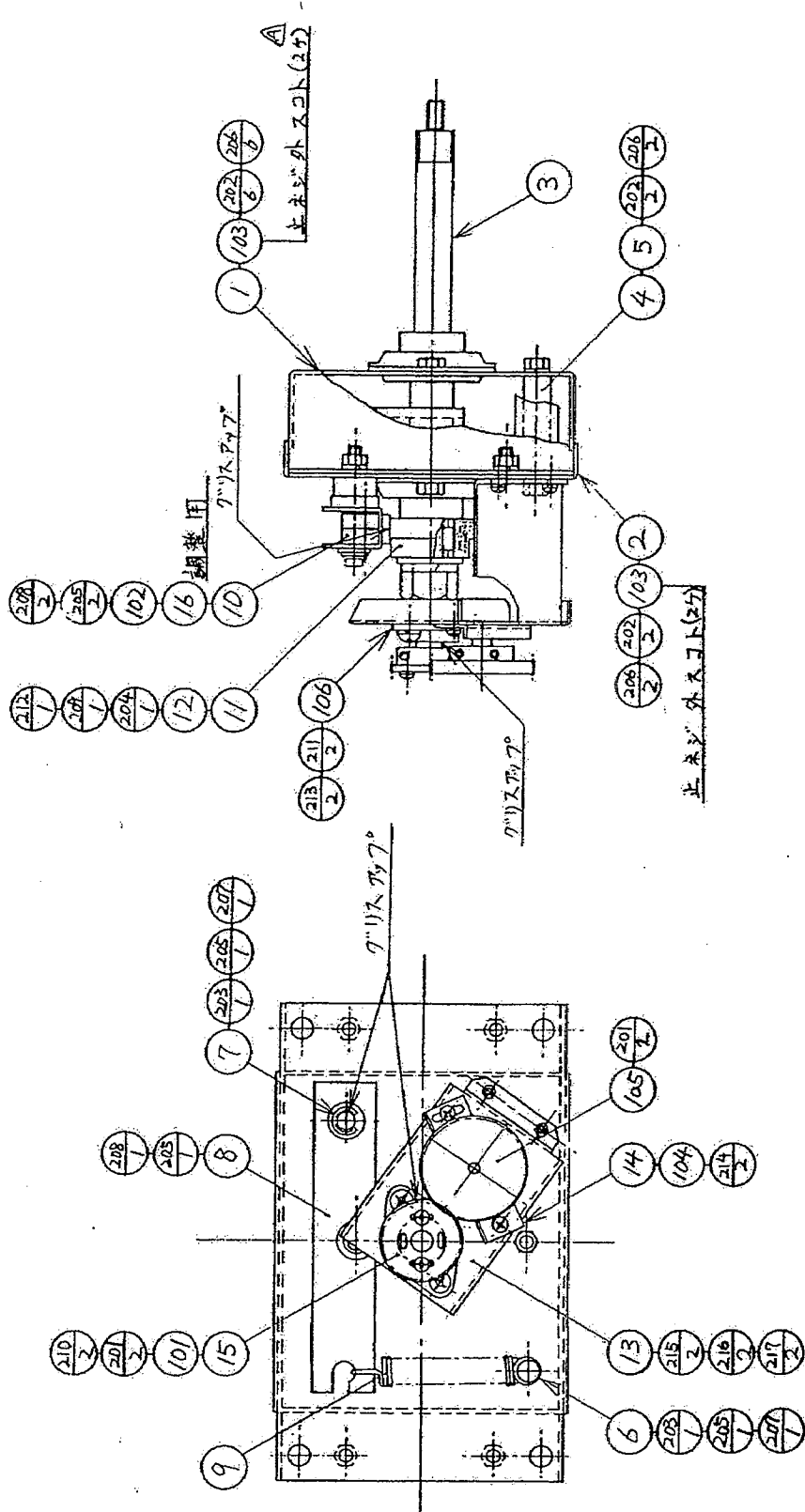


| ITEM NO. | PART NO.     | DESCRIPTION                  |
|----------|--------------|------------------------------|
| 1        | OUT1-4001    | WOODEN BASE                  |
| 2        | 839-0048     | SSR BD DC MOTOR              |
| 3        | 839-0217-91  | RECTIFICATION BD DC48V       |
| 4        | 839-0585     | SSR BD                       |
| 101      | 400-5149     | SW REGU AC110V +5V16A +12V6A |
| 102      | 400-5164     | SW REGU AC 18.5V +12V 2.5A   |
| 103      | 601-6228     | PWR AMP FOR SUPER WOOFER     |
| 104      | S113-035-000 | COMMUTATION BOARD            |
| 201      | S113-611-000 | WOOD BASE                    |
| 202      | S109-049-100 | TERMINAL CONNECT BRACKET     |
| 203      | 0000-037-000 | LABEL                        |



規格書ハ、ダサスアゴアサ行ケコト、  
 又ツ(ネボト)ノ積込付ケトホカニササイテハ、下取ノトルクニ照ズケコト、  
 HEX NUT MB.....220mm/M  
 HEX BOLT MB.....100mm/M

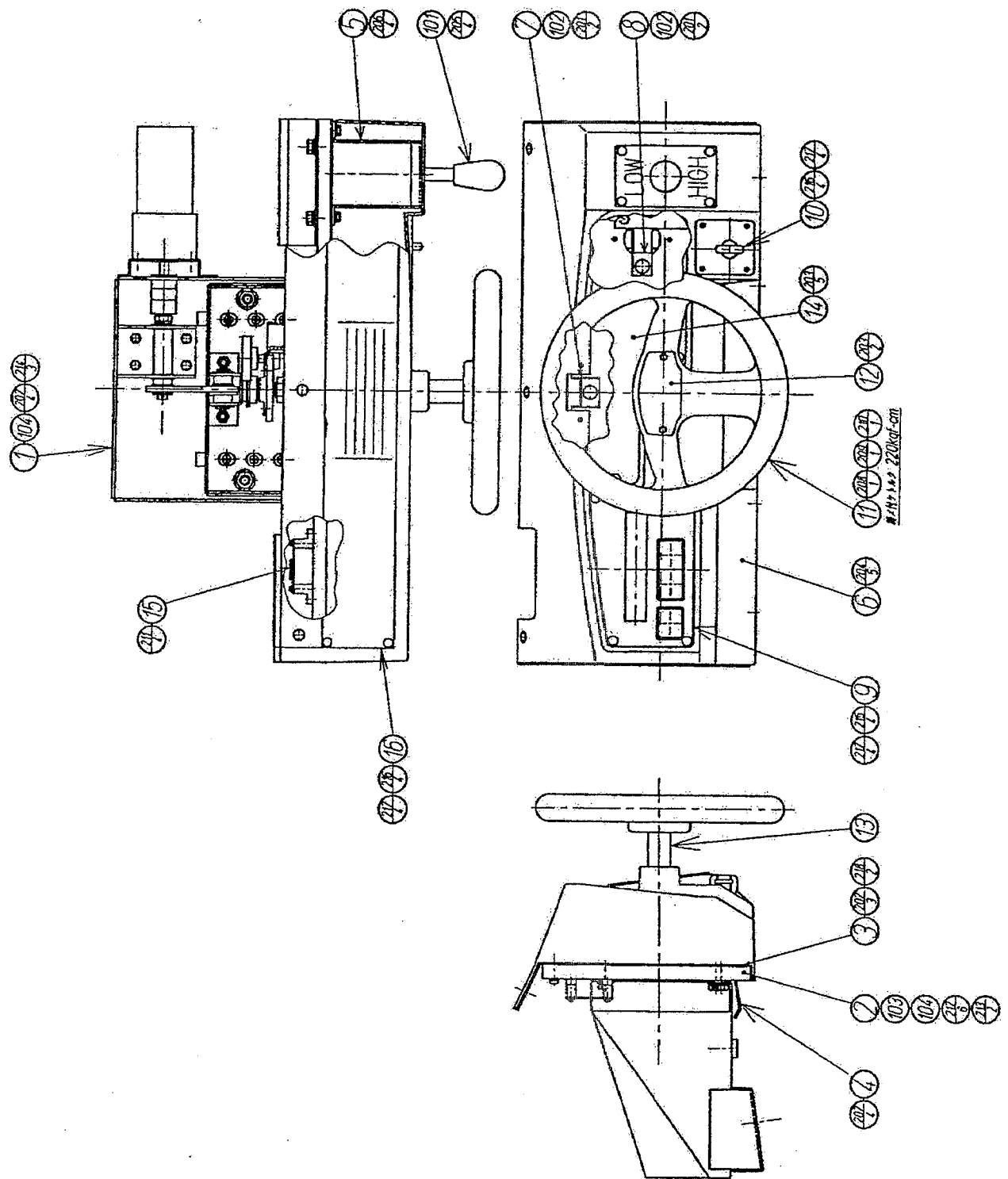
| ITEM NO. | PART NO.    | DESCRIPTION                    |
|----------|-------------|--------------------------------|
| 1        | RDY-1101    | PEDAL BASE                     |
| 2        | RDY-1102    | ACCEL PEDAL                    |
| 3        | RDY-1103    | BRAKE PEDAL                    |
| 4        | RDY-1104    | SIDE PLATE A                   |
| 5        | RDY-1105    | SIDE PLATE B                   |
| 6        | RDY-1106    | PEDAL AXLE                     |
| 7        | RDY-1107    | STOPPER A                      |
| 9        | RDY-1109    | TORSION SPRING A               |
| 10       | RDY-1110    | TORSION SPRING B               |
| 11       | RDY-1111    | SPRING HOOK                    |
| 12       | RDY-1112    | VOL. BRKT A                    |
| 13       | RDY-1113    | VOL. BRKT B                    |
| 14       | RDY-1114    | PEDAL BANDAGE                  |
| 15       | RDY-1115    | RETURN STOPPER                 |
| 16       | 421-8100-03 | STICKER RDY-1100 03            |
| 101      | 601-5410    | GEAR 15, $\phi$ 6              |
| 102      | 601-6450    | GEAR 110                       |
| 103      | 220-5130    | VOL CONT B-5K OHM              |
| 104      | 280-0425    | CORD CLAMP 10 $\phi$           |
| 201      | 039-0128    | HEX BLT BLK M6 x 12            |
| 202      | 069-0023    | SPR WSHR BLK M6                |
| 203      | 050-0008    | HEX NUT M8                     |
| 204      | 060-0008    | FLT WSHR M8                    |
| 205      | 061-0008    | SPR WSHR M8                    |
| 206      | 000-0510-S  | M SCR PH W/FS M5 x 10          |
| 207      | 000-0412-FS | M SCR PH W/FS M4 x 12          |
| 208      | 008-0408    | TMP PRF SCR TH M4 x 8          |
| 209      | 069-0007    | FLT WSHR 4.4-16 x 1.6          |
| 210      | 028-0001    | SET SCR HEX SKT CP UNBR M3 x 4 |
| 211      | 000-0412-S  | M SCR PH W/S M4 x 12           |
| 301      | SGB-4112 7  | WIRE HARN ACCEL & BRAKE        |



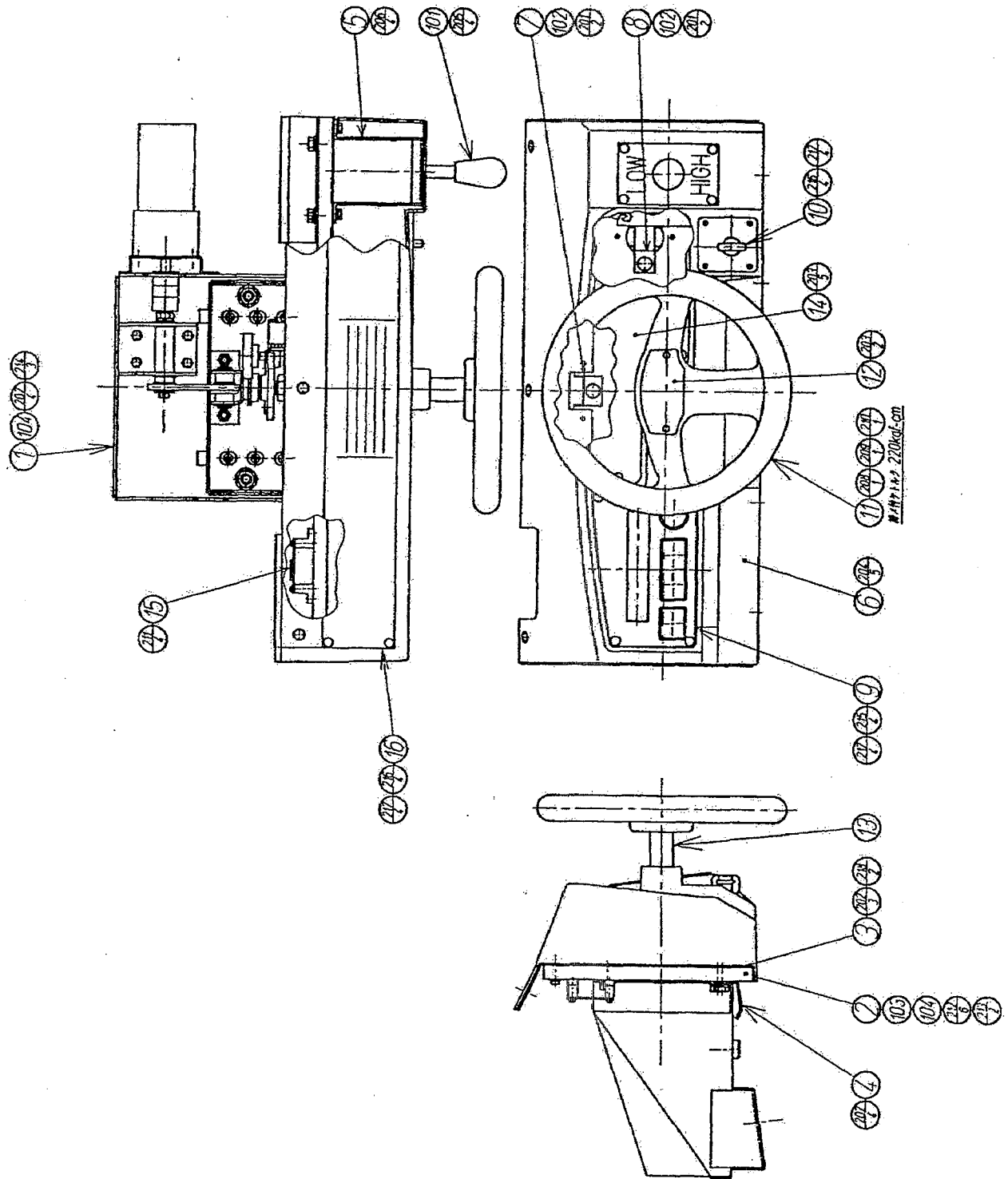
- 註) 1. 本図特標時ニ 対応シテ使用可ト  
 2. 指示部 7mmスリット  
 3. 材料トルク M8 : 220 kgf・cm  
 M6 : 100 kgf・cm



| ITEM NO. | PART NO.    | DESCRIPTION                       |
|----------|-------------|-----------------------------------|
| 1        | RDY-2101    | HANDLE BASE                       |
| 2        | RDY-2102    | LID HANDLE BASE                   |
| 3        | RDY-2103    | STEERING SHAFT                    |
| 4        | RDY-2104    | STOPPER SHAFT                     |
| 5        | SLC-1120    | STOPPER RUBBER                    |
| 6        | SLC 1122X   | HOOK SPRINC                       |
| 7        | SLC-1123    | SWING ARM SHAFT                   |
| 8        | SLC-1124    | SWING ARM                         |
| 9        | SLC-1137X   | EXT SPRING L                      |
| 10       | SOR-2112    | BEARING SHAFT                     |
| 11       | SLC-1141X   | WHITE CAM                         |
| 12       | SOR-2115    | KEY 5x 10                         |
| 13       | RDY-2105    | VR BASE                           |
| 14       | RDY 2106    | VR BRACKET                        |
| 15       | RDY-2107    | ADJUST RING                       |
| 16       | SDR-2113    | SPACER                            |
| 101      | 601-6172    | GEAR 48                           |
| 102      | 100 5018    | BALL BEARING $\phi$ 8             |
| 103      | 100-5096    | BEARING $\phi$ 17 (FYH SBPEL 203) |
| 104      | 220-5130    | VOL CONT B iKOHM                  |
| 105      | 601-7088    | GEAR 64                           |
| 106      | 100 5138    | BEARING $\phi$ 12 (80FL-12)       |
| 201      | 028-0019    | SET SCR HEX SKT CP UNBR M4 x 8    |
| 202      | 050 0006    | HEX NUT M6                        |
| 203      | 050 0008    | HEX NUT M8                        |
| 204      | 059 0022    | HEX NUT M16                       |
| 205      | 060 0008    | FLT WSHR M8                       |
| 206      | 061-0006    | SPR WSHR M6                       |
| 207      | 061-0008    | SPR WSHR M8                       |
| 208      | 065-0007    | E RING 7mm                        |
| 209      | 069 0060    | SPR WSHR M16                      |
| 210      | 000 0412-FS | M SCR PH W/FS M4 x 12             |
| 211      | 054 0006    | U NUT M6                          |
| 212      | 069 0012    | FLT WSHR M16                      |
| 213      | 029 0372    | M SCR PH W/FS M6 x 16             |
| 214      | 000-0408 FS | M SCR PH W/FS M4 x 8              |
| 215      | 050-0004    | HEX NUT M4                        |
| 216      | 061-0004    | SPR WSHR M4                       |
| 217      | 060 0004    | FLT WSHR M4                       |
| 301      | SGB-4112-16 | WIRE HARN HANDLE VR               |



| ITEM NO. | PART NO.    | DESCRIPTION                   |
|----------|-------------|-------------------------------|
| 1        | OUT-2100    | ASSY SLIDE MECHA              |
| 2        | OUT-2001    | WOOD BASE                     |
| 3        | OUT-2002X   | SUPPORT BRACKET               |
| 4        | OUT-2003    | REAR BRACKET                  |
| 5        | OUT-2004    | SHIFT BRACKET                 |
| 6        | OUT1-2005   | CONT PANEL COVER              |
| 7        | OUT-2006    | LAMP BRACKET A                |
| 8        | OUT-2007    | LAMP BRACKET B                |
| 9        | OUT-2008    | ASSY RADIO                    |
| 10       | OUT-2011    | ASSY KEY                      |
| 11       | RDM-2001    | STEERING WHEEL ~ 270          |
| 12       | RDM-2012    | STEERING EMBLEM               |
| 13       | OUT-2017    | HANDLE COLLAR                 |
| 14       | OUT-2018X   | METER                         |
| 15       | 839-0583-91 | I/F BD                        |
| 16       | OUT-2022-01 | GUARD PLATE INSTR ENG         |
| 17       | OUT-2025    | BRACKET                       |
| 101      | 6101-0316   | UP/DOWN SHIFT                 |
| 102      | 390-5346    | LAMP WEDGE BASE TYPE 14V 2.7W |
| 103      | 280-0419    | HARNES LUG                    |
| 104      | 280-5225    | CORD CLAMP 21                 |
| 105      | 209-0023    | CONN CLOSED END               |
| 106      | 601-0460    | PLASTIC TIE BELT 100mm        |
| 201      | 000-0425-FS | M SCR PH W/FS M4 x 25         |
| 202      | 000-0525-FS | M SCR PH W/FS M5 x 25         |
| 203      | 008-0416    | TMP PRF SCR TH M4 x 16        |
| 204      | 029-0169    | TMP PRF SCR TH CHROME M4 x 16 |
| 205      | 008-0512    | TMP PRF SCR TH M5X 12         |
| 206      | 039-0160    | HEX BLT W/FS M6 x 16          |
| 207      | 069-0162    | HEX BLT W/S M8 x 30           |
| 208      | 050-0008    | HEX NUT M8                    |
| 209      | 061-0008    | SPR WSHR M8                   |
| 210      | 069-0048    | FLT WSHR BLK 8.5-22 x 1.6     |
| 211      | 005-3125    | W SCR RH 3.1 x 25             |
| 212      | 005-3510    | W SCR RH 3.5 x 10             |
| 213      | 006-3113    | W SCR FH 3.1 x 13             |
| 214      | 010-0406-F  | S-TITE SCR PH W/F M4 x 6      |
| 215      | 031-0414-B  | CRG BLT BLK M4 x 14           |
| 216      | 039-0131    | CRG BLT CRM M4 x 14           |
| 217      | 051-0004    | FLG NUT M4                    |
| 218      | 000-0416-FS | M SCR PH W/FS M4 x 16         |
| 301      | 600-6253-51 | WIRE HARN EXT HANDLE          |
| 302      | 600-6253-52 | WIRE HARN EXT CNTR PNL        |
| 303      | 600-6253-53 | WIRE HARN SHIFT SW            |
| 304      | 600-6253-54 | WIRE HARN EXT MOTOR           |
| 305      | 600-6253-55 | WIRE HARN EARTH CNTR PNL      |



| ITEM NO. | PART NO.    | DESCRIPTION                   |
|----------|-------------|-------------------------------|
| 1        | OUT-2100    | ASSY SLIDE MECHA              |
| 2        | OUT-2001    | WOOD BASE                     |
| 3        | OUT-2002X   | SUPPORT BRACKET               |
| 4        | OUT-2003    | REAR BRACKET                  |
| 5        | OUT-2004    | SHIFT BRACKET                 |
| 6        | OUT1-2005   | CONT PANEL COVER              |
| 7        | OUT-2006    | LAMP BRACKET A                |
| 8        | OUT-2007    | LAMP BRACKET B                |
| 9        | OUT-2024    | ASSY RADIO MARS               |
| 10       | OUT-2011    | ASSY KEY                      |
| 11       | RDM-2001    | STEERING WHEEL ~ 270          |
| 12       | RDM-2012    | STEERING EMBLEM               |
| 13       | OUT-2017    | HANDLE COLLAR                 |
| 14       | OUT-2018X   | METER                         |
| 15       | 839-0583-91 | I/F BD                        |
| 16       | OUT-2022-01 | GUARD PLATE INSTR ENG         |
| 17       | OUT-2025    | BRACKET                       |
| 101      | 6101-0316   | UP/DOWN SHIFT                 |
| 102      | 390-5346    | LAMP WEDGE BASE TYPE 14V 2.7W |
| 103      | 280-0419    | HARNES LUG                    |
| 104      | 280-5225    | CORD CLAMP 21                 |
| 105      | 209-0023    | CONN CLOSED END               |
| 106      | 601-0460    | PLASTIC TIE BELT 100mm        |
| 201      | 000-0425-FS | M SCR PH W/FS M4 x 25         |
| 202      | 000-0525-FS | M SCR PH W/FS M5 x 25         |
| 203      | 008-0416    | TMP PRF SCR TH M4 x 16        |
| 204      | 029-0169    | TMP PRF SCR TH CHROME M4 x 16 |
| 205      | 008-0512    | TMP PRF SCR TH M5 x 12        |
| 206      | 039-0160    | HEX BLT W/FS M6 x 16          |
| 207      | 069-0162    | HEX BLT W/S M8 x 30           |
| 208      | 050-0008    | HEX NUT M8                    |
| 209      | 061-0008    | SPR WSHR M8                   |
| 210      | 069-0048    | FLT WSHR BLK 8.5-22 x 1.6     |
| 211      | 005-3125    | W SCR RH 3.1 x 25             |
| 212      | 005-3510    | W SCR RH 3.5 x 10             |
| 213      | 006-3113    | W SCR FH 3.1 x 13             |
| 214      | 010-0406-F  | S-TITE SCR PH W/F M4 x 6      |
| 215      | 031-0414-B  | CRG BLT BLK M4 x 14           |
| 216      | 039-0131    | CRG BLT CRM M4 x 14           |
| 217      | 051-0004    | FLG NUT M4                    |
| 218      | 000-0416-FS | M SCR PH W/FS M4 x 16         |
| 301      | 600-6253-51 | WIRE HARN EXT HANDLE          |
| 302      | 600-6253-52 | WIRE HARN EXT CNTR PNL        |
| 303      | 600-6253-53 | WIRE HARN SHIFT SW            |
| 304      | 600-6253-54 | WIRE HARN EXT MOTOR           |
| 305      | 600-6253-55 | WIRE HARN EARTH CNTR PNL      |
| 306      | 600-6253-70 | WIRE HARN EXT PLAYER SEL SW   |

## 20. WIRE COLOR CODE TABLE

THE WIRE COLOR CODE is as follows:

- A PINK
- B SKY BLUE
- C BROWN
- D PURPLE
- E LIGHT GREEN

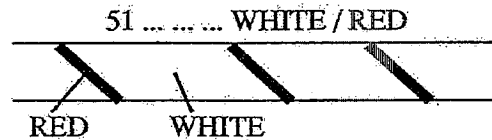
Wires other than those of any of the above 5 single colors will be displayed by 2 alphanumeric characters.

- 1 RED
- 2 BLUE
- 3 YELLOW
- 4 GREEN
- 5 WHITE
- 7 ORANGE
- 8 BLACK
- 9 GRAY

If the right-hand side numeral of the code is 0, then the wire will be of a single color shown by the left-hand side numeral (see the above).

Note 1 : If the right-hand side alphanumeric is not 0, that particular wire has a spiral color code. The left-hand side character shows the base color and the right-hand side one, the spiral color.

< Example >

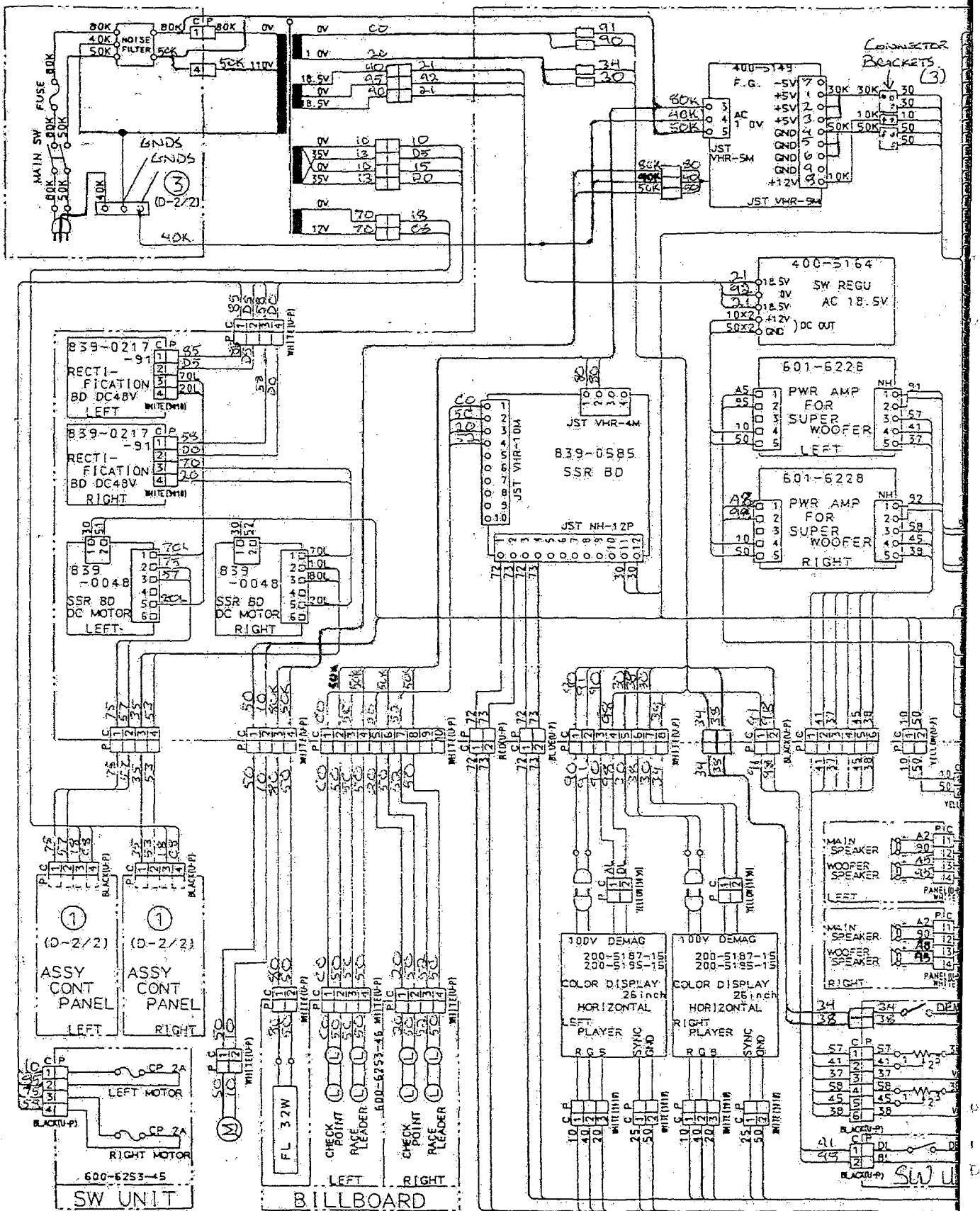


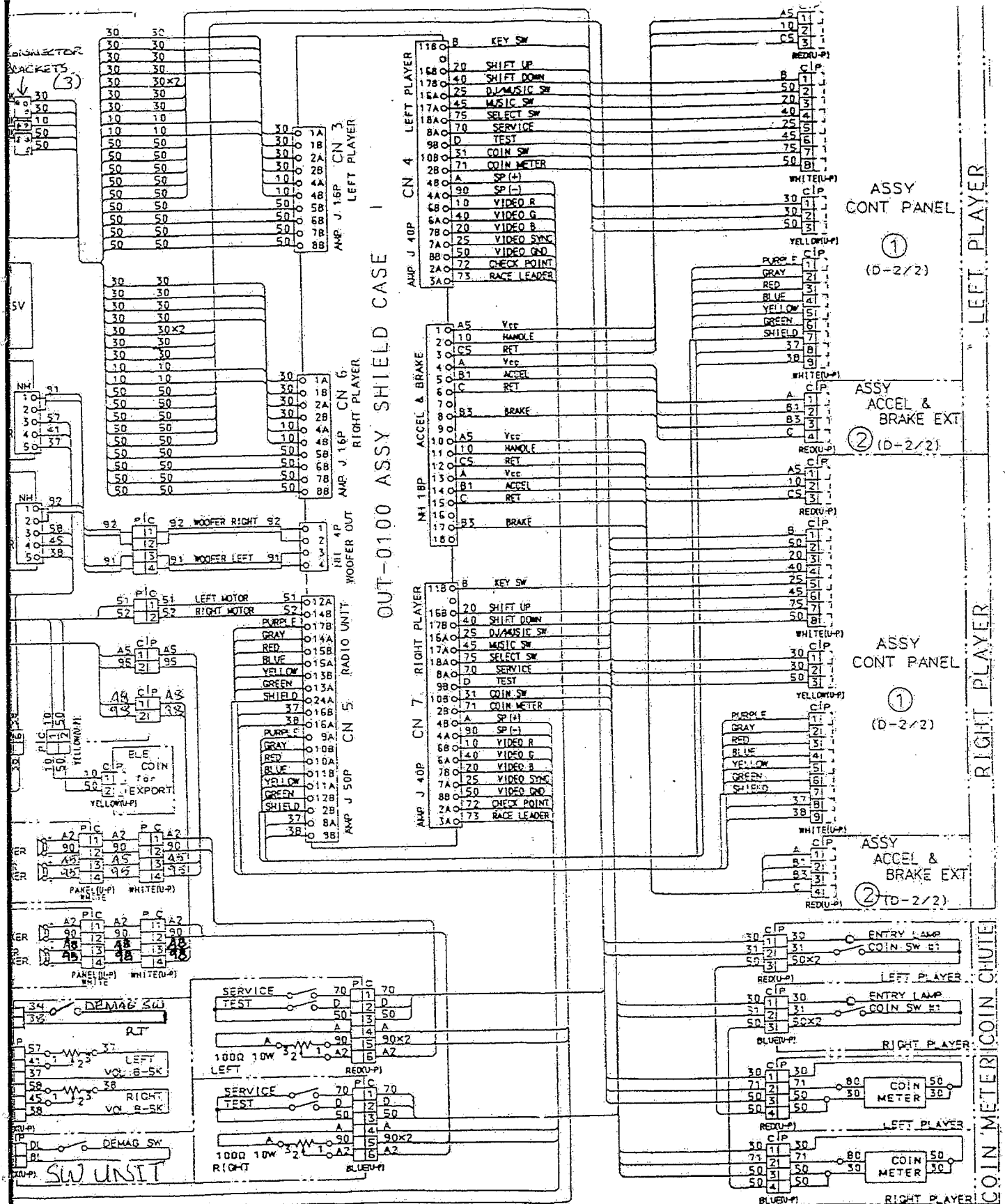
Note 1 : The character following the wire color code indicates the size of the wire.

K: AWG 18, UL 1015

L: AWG 20, UL 1007

None: AWG 22, UL 1007

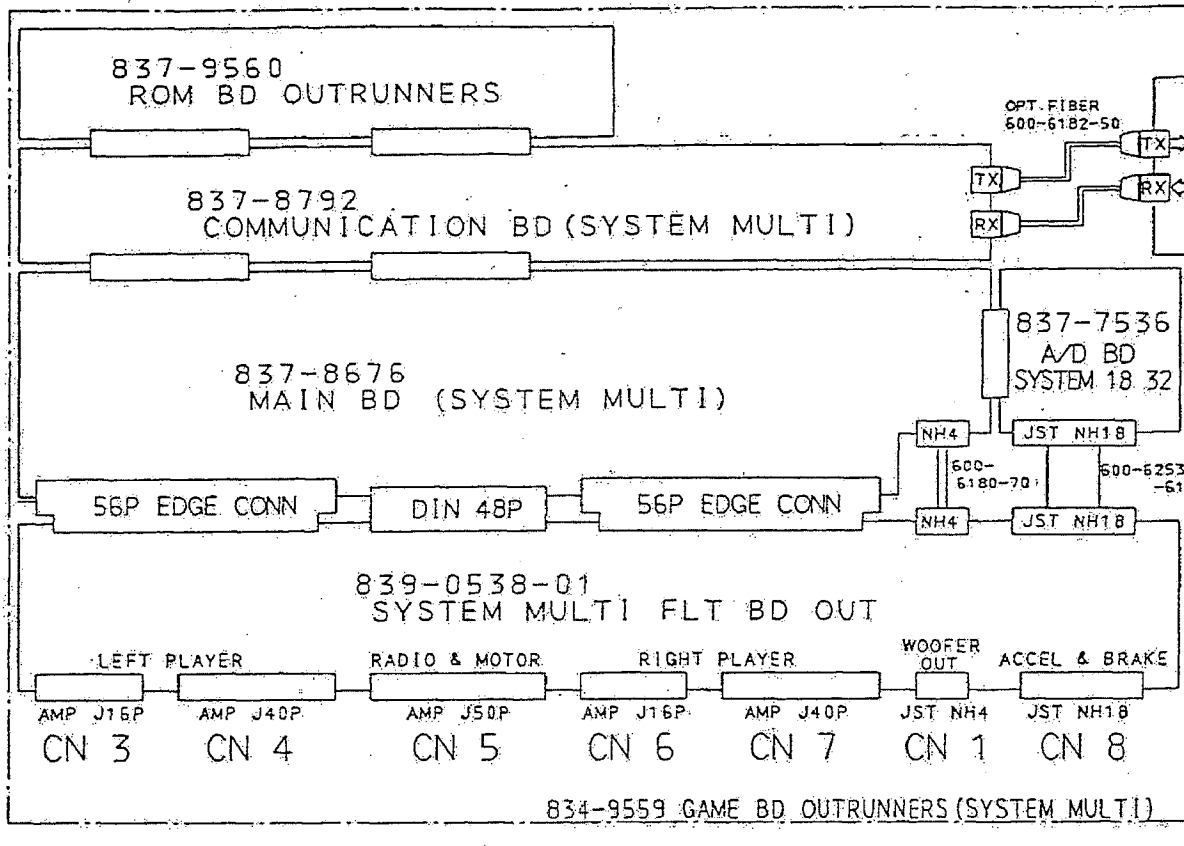




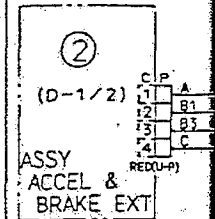
21. WIRING DIAGRAM (D-1/2)



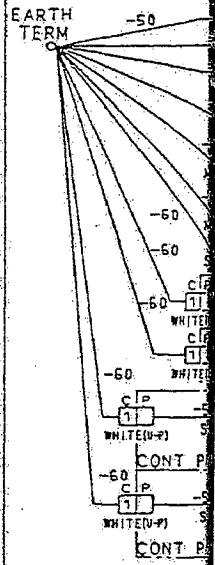
OUT-0100  
 ASSY SHIELD CASE



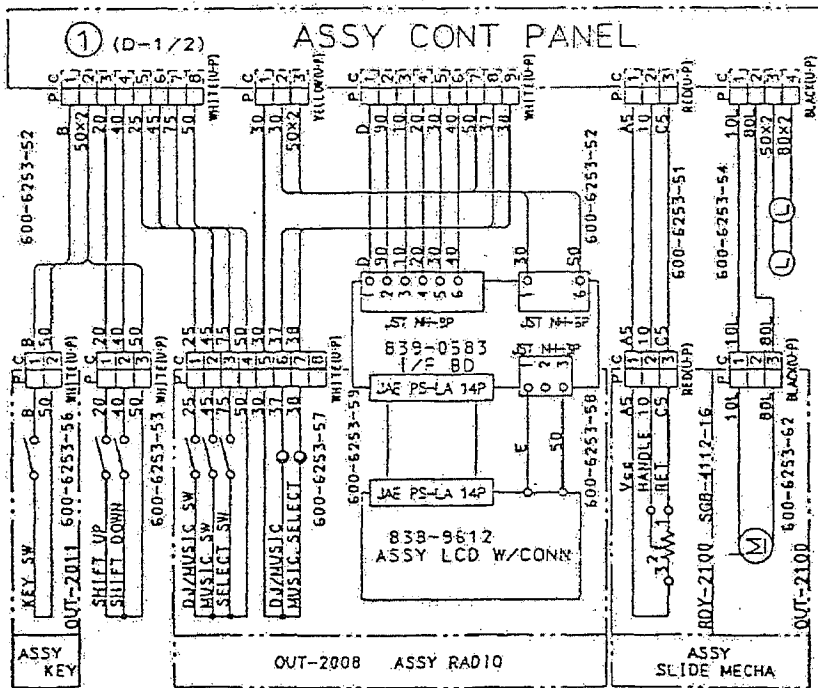
② ASSY ACCEL &



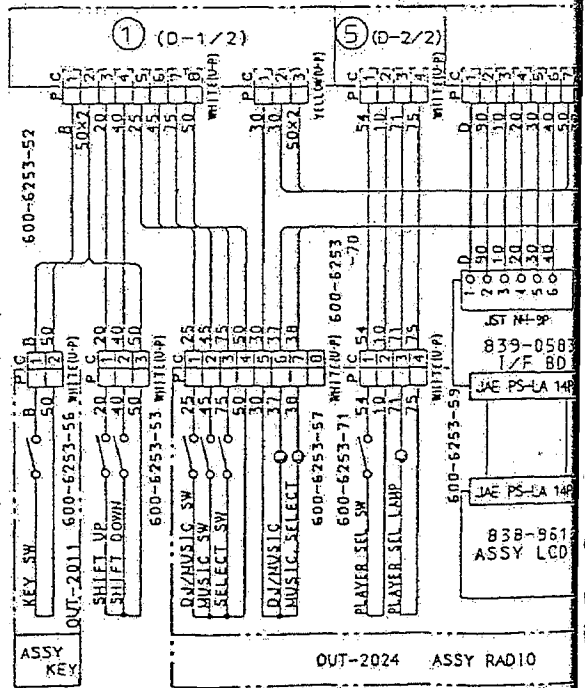
③ EARTH W



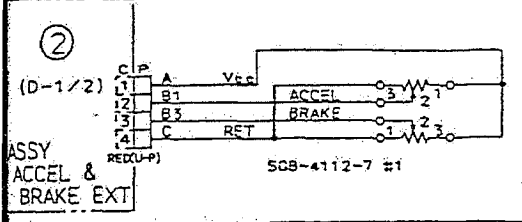
① ASSY CONT PANEL OUT-2000  
 (ASSY CONT PANEL EXP OUT-20001)



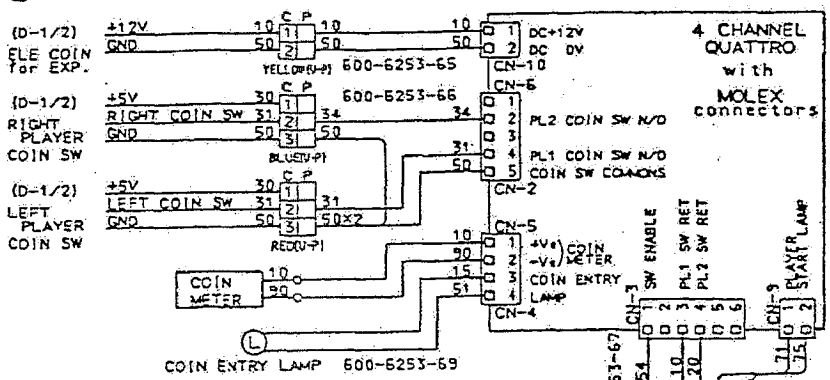
④ ASSY CONT PANEL MARS  
 OUT-20002



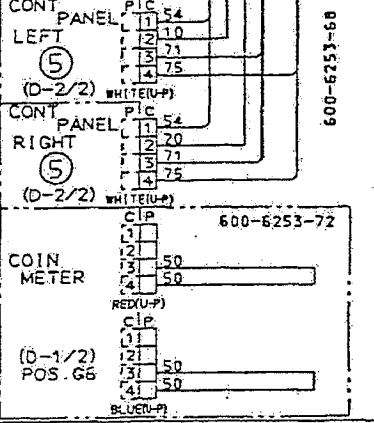
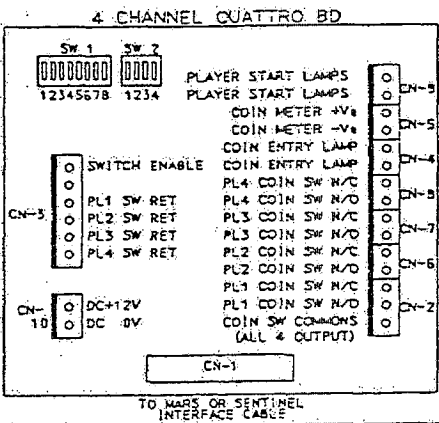
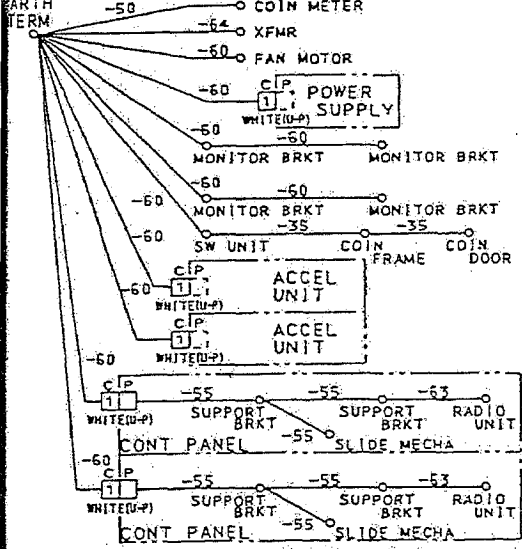
② ASSY ACCEL & BRAKE EXT RDY-1100-03



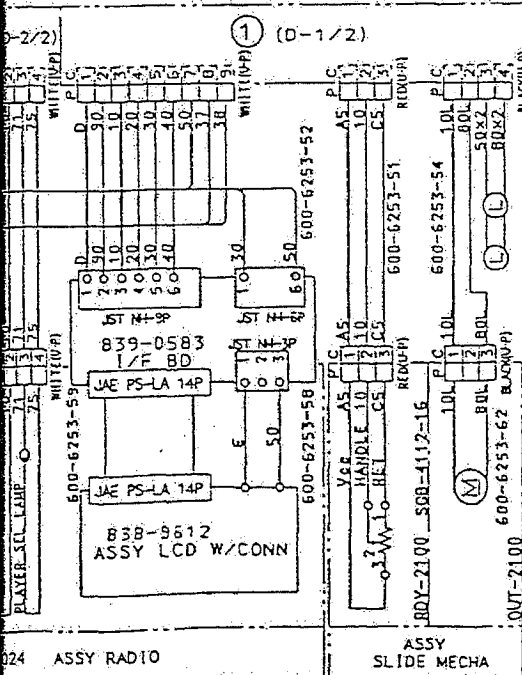
⑤ MARS COIN CHUTE



③ EARTH WIRE 600-6253 (WIRE: 40K)



MARS OUT-20002



21. WIRING DIAGRAM (D-2/2)

**OutRunners**

**Manual No. 4201-6079-01**

0 11 6

0 11 6

**SEGA ENTERPRISES, INC. USA**

275 Shoreline Drive, Suite 201

Redwood City, CA 94065

(415) 802-1750

FAX (415) 802-1754

©SEGA 1993

Printed in USA