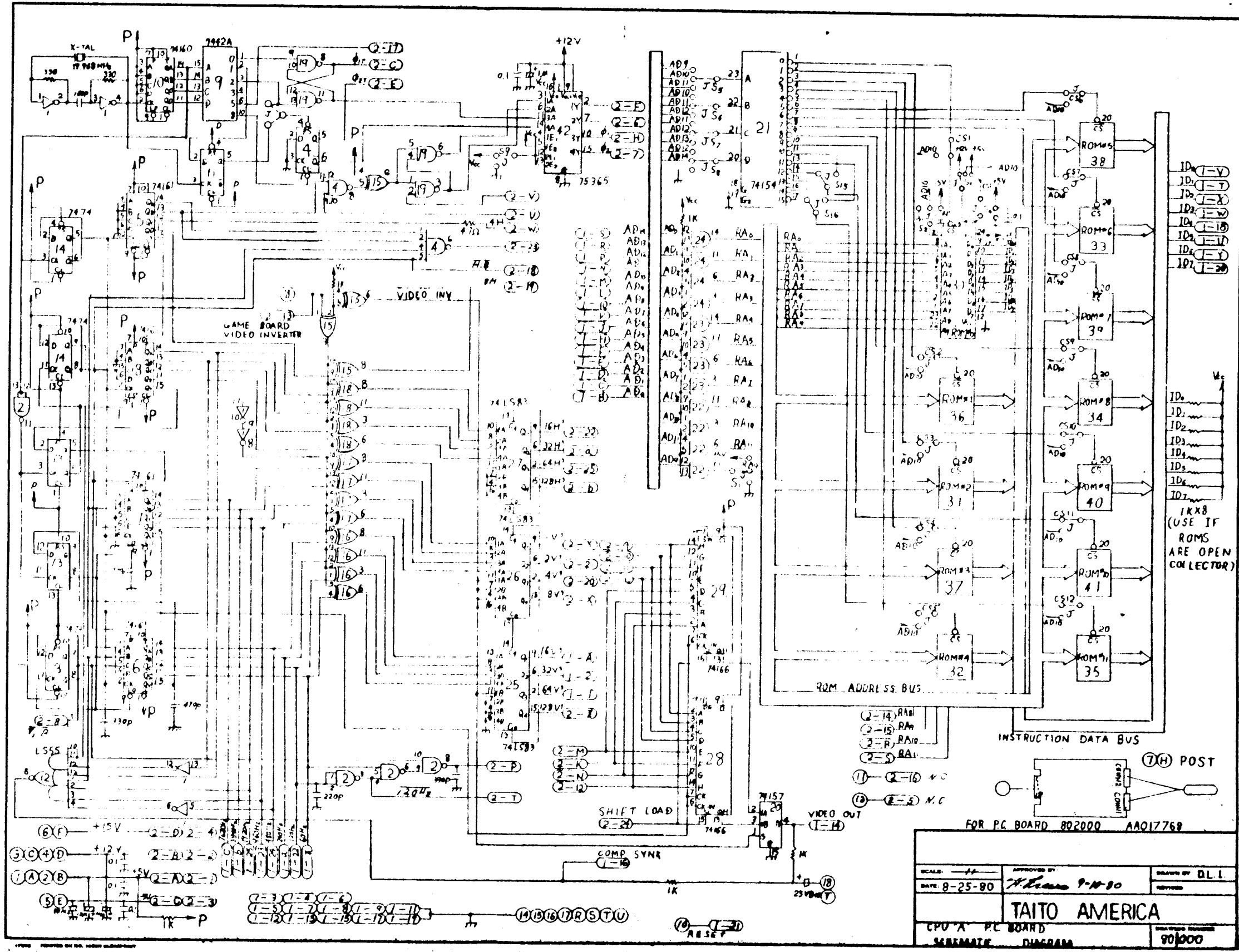


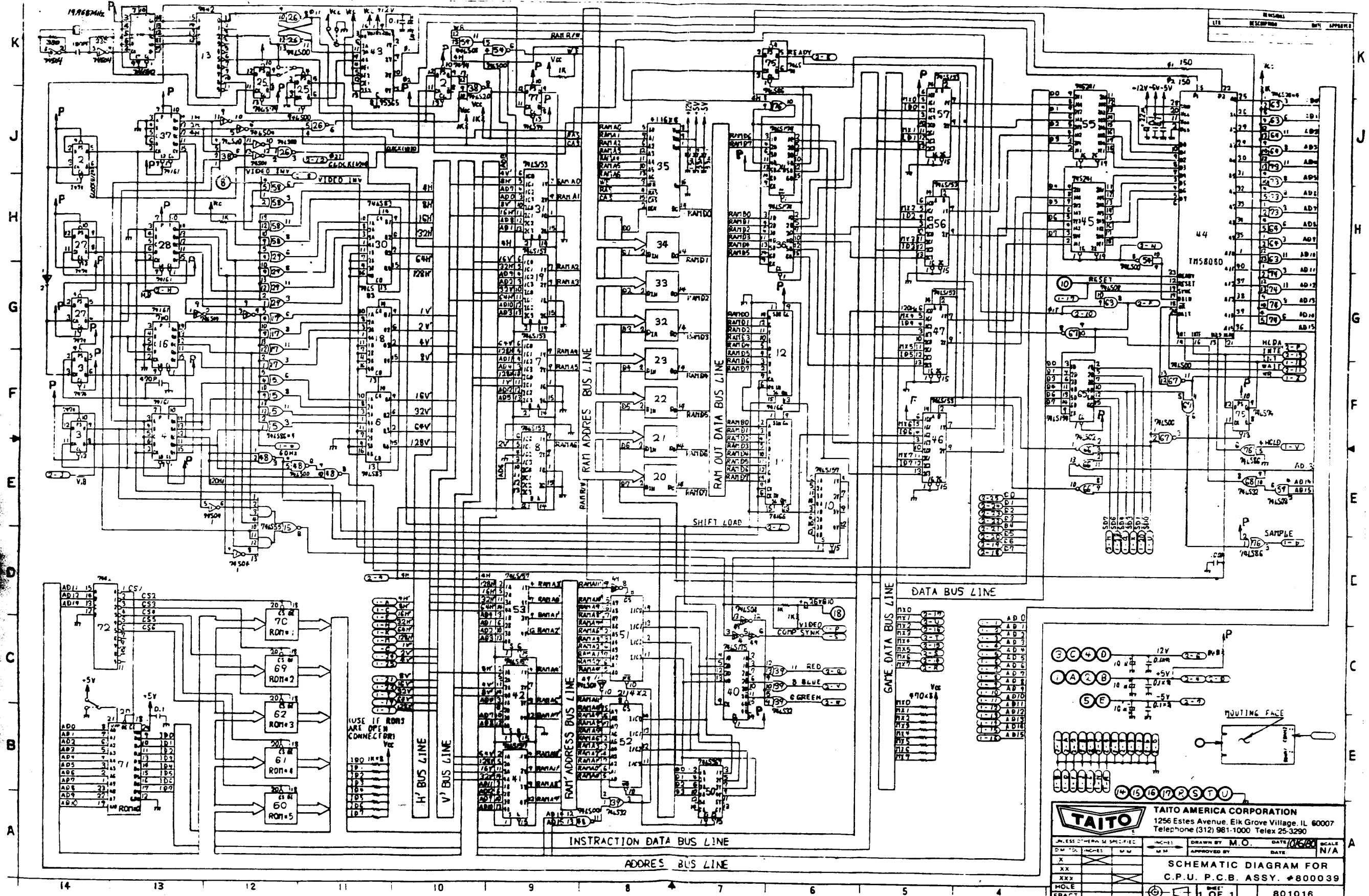
NOTE 1:
 FOR 120VAC, WIRE WHITE TO TERM 1 AND 4
 WIRE BLACK TO TERM 3 AND 6
 FOR 220VAC, WIRE WHITE TO TERM 1, 5VMP
 TERM 2 TO 4, BLACK TO TERM 5

NOTE 2:
 IF WELLS GARDNER MONITOR IS USED, USE CABLE 106016 (BLUE)
 IF ELECTROPHONE MONITOR 607-904 IS USED, USE CABLE 106013

SCALE: NONE	APPROVED BY: <i>JJR</i>	DRAWN BY: <i>JJR</i>
DATE: 3-5-80	<i>Thurs 3-6-80</i>	REVISED:
TAITO AMERICA CORPORATION		DRAWING NUMBER
WIRING DIAGRAM-POLARIS		780014



SCALE: 1:1	APPROVED BY: <i>H. Hase</i> 9-10-80	DRAWN BY: D.L.I.
DATE: 8-25-80		REVISED:
TAITO AMERICA		
CPU 'A' PC BOARD		REVISION NUMBER: 801000
SCHEMATIC DIAGRAM		



K
J
I
H
G
F
E
D
C
B
A

K
J
I
H
G
F
E
D
C
B
A

14

13

12

11

10

9

8

7

6

5

4

3

2

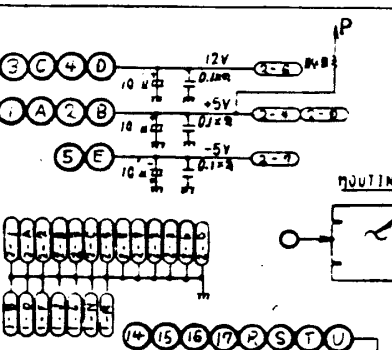
1

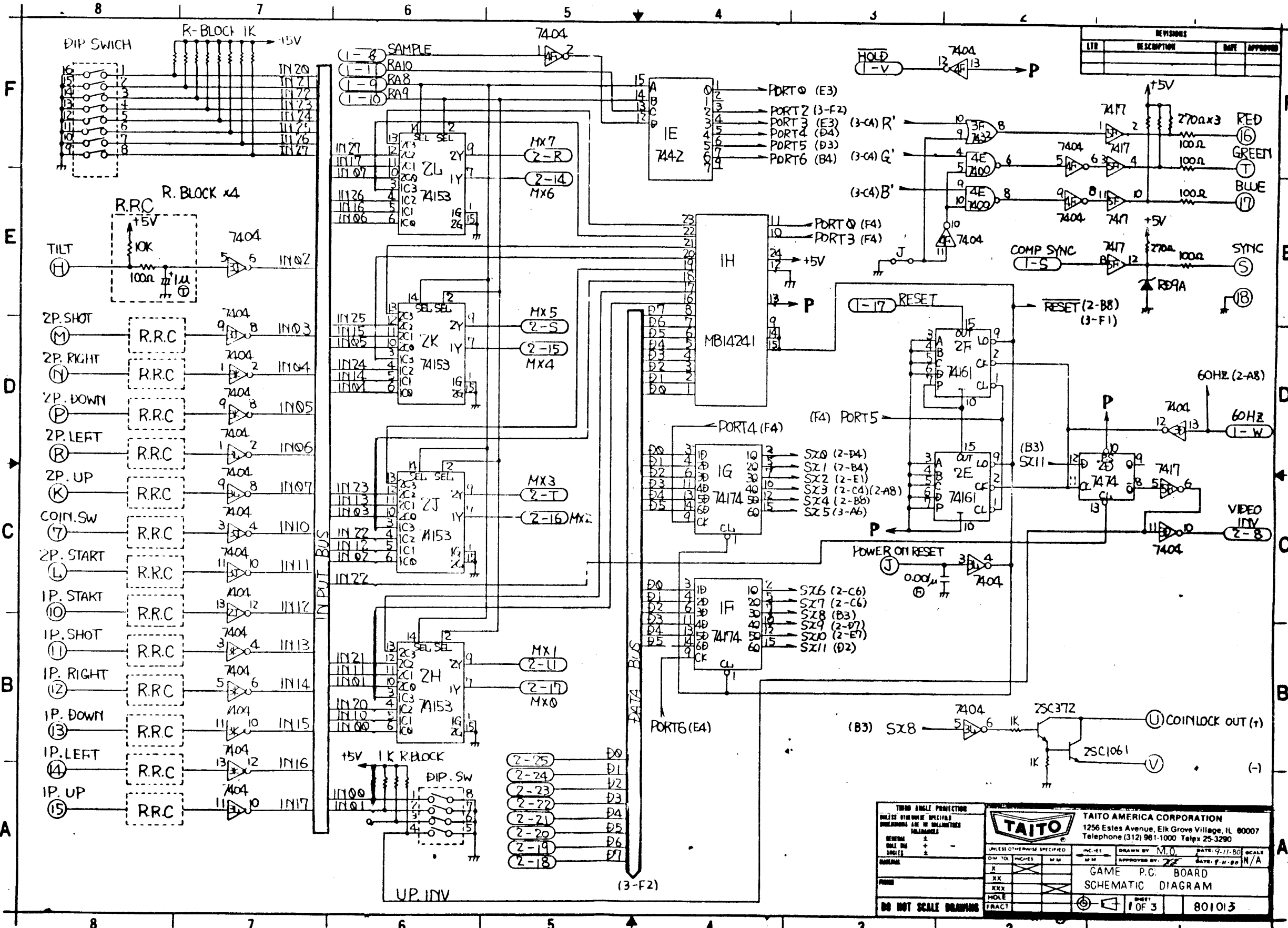
TAITO TAITO AMERICA CORPORATION
1256 Estes Avenue, Elk Grove Village, IL 60007
Telephone (312) 981-1000 Telex 25-3290

UNLESS OTHERWISE SPECIFIED: INCHES DRAWN BY M.O. DATE 10/6/81 SCALE
DIMENSIONS MILLIMETERS APPROVED BY DATE N/A

SCHEMATIC DIAGRAM FOR C.P.U. P.C.B. ASSY. #800039

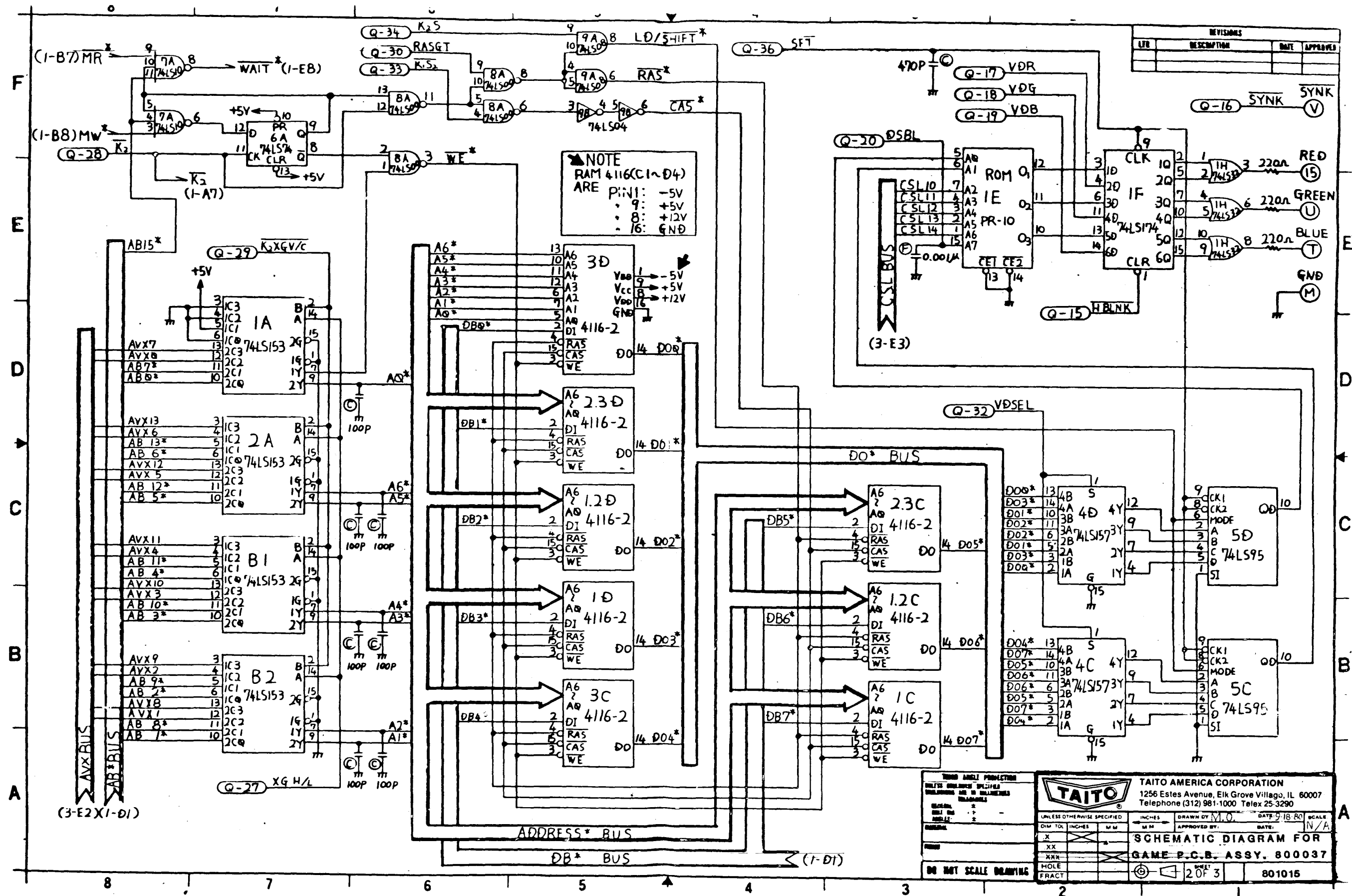
MOLE HOLE
FRACT. 1 OF 1
801016





REVISIONS			
LT#	DESCRIPTION	DATE	APPROVED

THIRD ANGLE PROJECTION UNLESS OTHERWISE SPECIFIED DIMENSIONS ARE IN MILLIMETERS DECIMALS				TAITO AMERICA CORPORATION 1256 Estes Avenue, Elk Grove Village, IL 60007 Telephone (312) 981-1000 Telex 25-3290	
DWG NO.	INC. #1	DRAWN BY	M.C.	DATE	9-11-80
SCALE	UNLESS OTHERWISE SPECIFIED	APPROVED BY		SCALE	N/A
FORM	XX	GAME P.C. BOARD SCHEMATIC DIAGRAM			
DO NOT SCALE DRAWING	HOLE FRACT	SHEET	1 OF 3	801013	



REVISIONS			
LR	DESCRIPTION	DATE	APPROVED

NOTE
RAM & 116(C1-D4)
ARE PiNi:
- 5V
- 9: +5V
- 8: +12V
- 16: GND

TAITO TAITO AMERICA CORPORATION 1256 Estes Avenue, Elk Grove Village, IL 60007 Telephone (312) 981-1000 Telex 25-3290		DRAWN BY: M.O. DATE: 9-18-80 SCALE: N/A
DIM TOL: INCHES M/M XX XXX HOLE FRACT		APPROVED BY: _____ DATE: _____ SCHEMATIC DIAGRAM FOR GAME P.C.B. ASSY. 800037 SHEET 2 OF 3 801015