



namco®

**SMASHING
DRIVE
NYC-11xM**

VERSION

SIT DOWN

CONTENT

OPERATOR'S MANUAL

Important

**Read PRECAUTIONS and INSTALLATION
Sections before operating game**

RF Notice

Note: This equipment uses, and can radiate radio frequency energy and, if not installed and used in accordance with the instruction manual, may cause harmful interference to radio communications. Operation of this equipment in a residential area is likely to cause harmful interference in which case the user will be required to correct the interference at his own expense.

Copyright 2001 NAMCO AMERICA INC. - All rights reserved

No part of this publication may be reproduced by any mechanical photographic, or electronic process, or in the form of a phonographic recording, nor may it be stored in a retrieval system, transmitted, or otherwise copied for public or private use, without permission from NAMCO AMERICA INC.

About SMASHING DRIVE

Thank you for purchasing this Namco America Inc. product. This manual explains how to safely operate your game machine. Failing to operate the machine correctly could result in malfunction or accident, so please read the manual carefully before commencing operation

Unauthorised reproduction of this document or any of its contents is strictly forbidden, without permission from Namco America Inc.

Note: Operator's Manual Specifications subject to change without prior notice

© 2000 Gaelco S.A. - All rights reserved

Copyright law and industrial property law protect the contents of this game, its main data and design.



Modifications and/or alterations of the SMASHING DRIVE game machine with kits or parts not supplied by Namco America may void the warranty.
Removal of serial numbers and/or bar codes from product or components will void the warranty.

Published by:
GAELCO S.A.
Escipió 9-11
08023 Barcelona - SPAIN
Tel. ++34 93 417 36 26
Fax ++34 93 417 28 02
e-mail gaelco@gaelco.com
web www.gaelco.es

Revised by:
NAMCO AMERICA

FCC Notice

This equipment has been tested and found to comply with the limits for a Class A digital device, pursuant to Part A of the FCC Rules. These limits are designed to provide reasonable protection against harmful interference when the equipment is operating in a commercial environment. This equipment uses, and can radiate radio frequency energy, if not installed and used according to the instruction manual, and may cause harmful interference to radio communications.

Operation of this equipment in a residential area is likely to cause harmful interference in which case the user will be required to correct the interference at his own expense.

INDEX

1. GENERAL INFORMATION	5
1.1 Manufacturer and Machine data.....	5
1.2 Legislation references.....	5
1.3 Technical Service.....	6
1.4 Responsibility.....	6
2. SPECIFICATIONS.....	6
2.1 Description of the game.....	6
2.2 Dimensions and weight.....	6
2.3 Power Supply.....	7
2.4 Monitor.....	7
2.5 PCB.....	7
2.6 Controls.....	7
2.7 Attachments.....	7
3. PREVENTIVE MEASURES.....	8
3.1 Siting of the machine.....	8
3.2 Improper uses.....	8
4. HANDLING.....	9
4.1 Equipment needed to transport the packed machine.....	9
4.2 Storage.....	10
4.3 Reception.....	10
4.4 Unpacking.....	10
4.5 Movement of the unpacked machine.....	11
5. INSTALLATION AND SETTING UP.....	11
5.1 Inspections.....	11
5.2 Machine assembling.....	12
5.3 Assembly of the platform to the monitor cabinet.....	13
5.4 Switching the machine on.....	14
6. PROGRAMMING THE MACHINE AND TEST MODE.....	15
6.1 Screen test.....	16
6.2 Settings.....	16
6.3 Input test.....	18
6.4 Output test.....	18
6.5 Book keeping.....	19
6.6 Exit.....	20
7. HOW TO PLAY.....	21
8. HOW TO LINK TWO MACHINES.....	23
9. MAINTENANCE.....	24
9.1 Steering Wheel verification.....	24
9.2 Fuse replacement.....	24
9.3 Steering Wheel access.....	25
9.4 Vibrator access.....	26
9.5 Basic troubleshooting.....	27
10. PARTS LIST.....	28
10.1 Plastics and attachments.....	28-29
10.2 Back view of the monitor cabinet.....	30-31
10.3 Front view.....	32-33
10.4 Steering Wheel assembly.....	34-35
10.5 Steering Wheel mechanism.....	36
10.6 Seat assembly.....	37-38
10.7 Seat base.....	39-40
10.8 Vibrator.....	41-42
11. WIRING DIAGRAMS.....	

1. GENERAL INFORMATION

1.1 Manufacturer and machine data

Manufacturer	Namco America Inc.
Address	2055 Junction Ave.
ZIP	95131
City	San Jose
Country :	CA
Tel.	(408) 383-3900
Fax	(408)383-0130

Name of the game	SMASHING DRIVE
Model	SD

1.2 Legislation references

Smashing Drive is UL listed.

1.3 Technical Service

Technical Service is carried out by Namco America.

1.4 Responsibility

Any modifications made to this machine that are not authorized in writing by the manufacturer will be considered to be at the exclusive responsibility of the customer, who will consequently become the new “manufacturer” and must operate in compliance with the UL directive.

In case of an accident caused by a defective part, the manufacturer will assume responsibility only if the machine was defective in its original condition. However, this responsibility shall be diminished or even totally annulled if the operator or the player do not follow the instructions provided or if the operator uses spare parts that are not covered by guarantee, are not authorized in writing or do not correspond to the specified technical characteristics.

2. SPECIFICATIONS

2.1 Game Description

SMASHING DRIVE is an arcade game based on the frantic driving of a “super-cab” in New York City. The taxi driver picks up a client and races through NY trying to avoid traffic jams and obstacles, discovering many surprising shortcuts and getting extra advantages distributed at points along the course, that convert the cab in a fantastic car worthy of Batman or James Bond. Almost everything is permitted but the car loses speed when smashes against an obstacle, so bad drivers would be punished with rather poor scores.

The goal of the player is to complete the selected circuit in the least possible time, dodging the obstacles that cut across his path, at the same time keeping a fierce competition with another cab controlled by the CPU. Two players can also compete one against each other when the machines are linked.

2.2 Dimensions and Weight

1) Crate dimensions and shipping weight of each module

	width	depth	height	weight
Monitor cabinet	39.5 in	47.5 in	79 in	441 lbs
Seat platform	31.5 in	47.5 in	63 in	198 lbs

2) Dimensions and net weight of each module unpacked

	width	depth	height	weight
Monitor cabinet	34.25 in	31 in	70.5 in	408 lbs
Seat platform	30 in	37.25 in	49.75 in	165 lbs

3) Total dimensions of the machine, installed on site

width	depth	height
34.25 in	66.75 in	70.5 in

2.3 Power Supply

Power Supply Unit: Pacific Electronics USR/CNRGWP-2004T
 Operating Power: 110V AC, 60 Hz
 Output: +5VDC 20A +12VDC 8A

2.4 Monitor

Wells Gardner Model # D9200 P/N WGM2792-U0TS29K

2.5 CPU Board

PCB Gaelco SMASHING DRIVE

2.6 Controls

- Steering Wheel
- Start Button & Horn (placed on the Steering Wheel)
- Gas pedal
- Brake pedal

2.7 Attachments

One Operator's Manual
 Two coin box keys
 Two rear door keys
 One line cord (3m long)
 One link cable



3. PREVENTIVE MEASURES

3.1 Siting of the machine

This machine has been for indoor use only, within residential or commercial spaces. Absolutely do not set up the machine outdoors or under the following conditions:

- Direct exposure to sunlight, high humidity, water contact, dust, high heat or extreme cold.
- In a place exposed to vibration. The machine must be installed on a level surface with levellers properly adjusted.
- In locations near ventilating holes. Doing so could cause internal temperature to rise excessively, resulting in equipment failure.
- Near hazardous substances



Do not place this machine where it might be an obstacle in case of emergency (i.e. close to fire extinguishers or emergency exits)

3.2 Improper uses

Please heed the following indications in order to ensure your safety when using this game machine. Be sure to read and get a good understanding of each item:

- This machine must be used only in residential or commercial areas
- Do not use the machine as support for other objects
- Do not use the machine in the vicinity of containers holding liquids or liquid dispensing equipment. In general, precautions should be taken against spilling liquids of any kind whatsoever over the machine
- Ventilation slots must be not obstructed, and the machine must be positioned so as to leave a distance of at least 10cm (4") from possible obstructions
- Do not run the power cord across passages where pedestrian's feet could get caught on the cord.

The machine should not be used by persons under the influence of alcohol or who are not in good health.

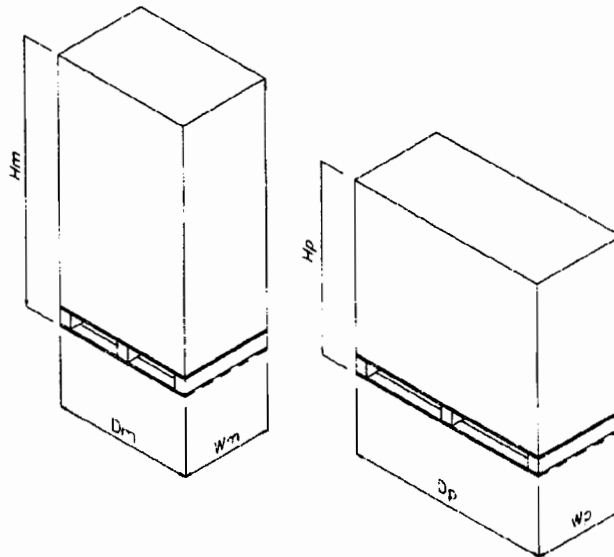
4. HANDLING



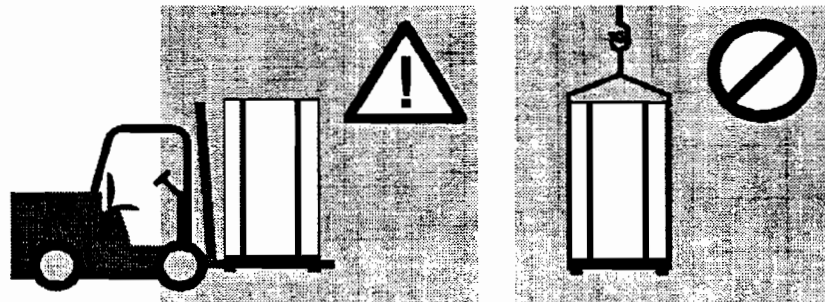
This product should be set up, moved or transported by a trained person. Failing to do so could result in injury or product damage. The machine contains parts that are sensitive to vibration and impact. You must be very careful when moving or transporting the machine.

4.1 Equipment needed for transporting the packed machine

The packed machine must be transported in a closed means of transport with sufficient carrying capacity for the gross weight of the machine, which is 441 lbs for the monitor cabinet and 198 for the platform. The machine, must remain packed on its pallet must be suitably secured to the means of transport. It is very important that the lifting forks are pushed right to the back of the wooden pallet, to give optimum stability to the load.



	width	depth	height	crated weight
MONITOR	Wm = 39.5 in	Dm = 47.5 in	Hm = 79 in	441 lbs
PLATFORM	Wp = 31.5 in	Dp = 47.5 in	Hp = 63 in	198 lbs



It is not allowed to lift the packed machine with ropes or belts, as the package is not equipped with suitable lifting points for this type of transport.

4.2 Storage

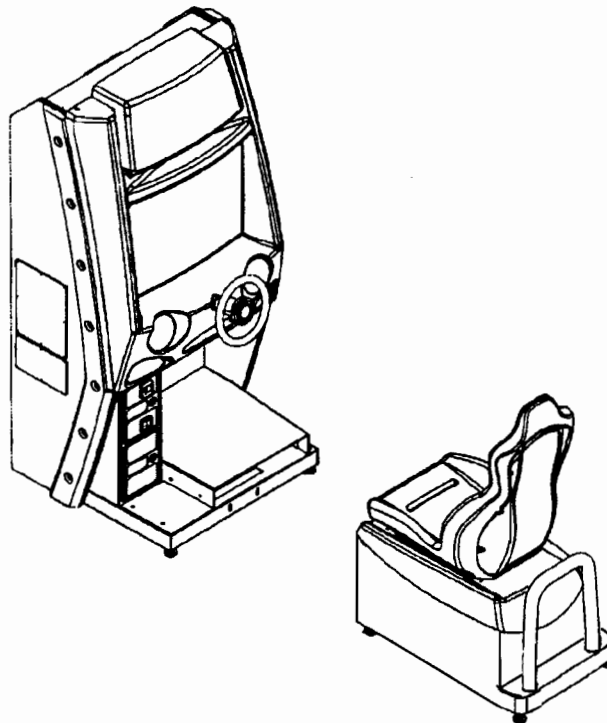
Store the packed machine in sheltered and dry areas. Temperatures allowed: maximum +113° F / minimum +23° F

4.3 Reception

The SMASHING DRIVE game cartons should be carefully inspected upon receipt to insure that the game is completed and was delivered in good conditions. Shipping damage may void warranty. In case of shipping damage, contact your Distributor and the Transportation Carrier immediately.

4.4 Unpacking

It is convenient to unpack the machine where it is going to be used or in a place as near as possible to this. Two people are needed to lift the cardboard packing over the top of each unit. Once the packing is removed, the machine looks as shown in the illustration.



4.5 Movement of the unpacked machine

The machine can easily moved by using their wheels. When moving the game machine, always return the levellers to the extreme up position.

When moving the machine on sloping or uneven surfaces or across steps, proceed with extreme caution to avoid the risk of being crushed!

The cabin is not equipped with lifting rings. It is therefore absolutely prohibited to lift it with ropes or belts!

5. INSTALLATION AND SETTING UP



When setting up, be sure to fasten the machine securely. If the unit is not fastened securely, it could be damaged by rocking or could result in injury. The operations described below must be done with the machine unplugged from the electrical power supply system

5.1 Inspection

Inspect the game cabinet by doing the following:

- Examine the cabinet exterior for dents, chips, or broken parts
- The monitor cabinet has a rear door that gives access to the PCB, the monitor and the power supply unit. The door has a safety switch. Only a trained person should do this operation. The keys can be found in a bag fastened to the steering wheel. After turning the key to the left pull the panel towards you until it leans enough to grip it with both hands by the sides and pull it upwards. In this way it will be freed from the guide that holds it at the bottom.
- Check that all the plug-in connectors are firmly plugged in. Do not force connector together. The connectors are keyed so they fit only in the proper orientation. A reverse edge connector can damage the PCB and will void your warranty.
- Inspect the major assemblies, such as the video display monitor, PCB, steering wheel and seat. Make sure that they are mounted securely and that all ground wires are firmly connected.
- Inspect the line cord to insure that there is not cuts or breaks in it.

To clean the game machine, wipe with a soft cloth dampened in a neutral detergent and wrung out. Using organic solvents like thinner may decompose the material.

5.2 Setting up

The operations described below should be carried out by trained persons. AC power must always be turned OFF, and the game unplugged, before replacing any parts or connecting/disconnecting connectors.

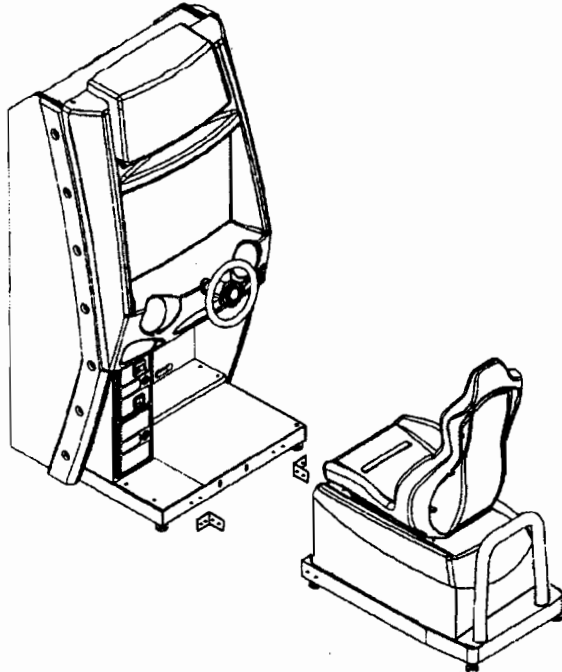
BASIC PRECAUTIONS

- Check that the area chosen to install the machine is distant from heat sources, and that the machine, when fully installed, will not obstruct emergency exits.
- Begin the set up with the monitor cabinet. Adjust the leg levellers by hand so they make contact with the floor. Continue to adjust levellers until the cabinet is levelled and stable on the floor. After adjustments are complete, secure the height of the leg levellers.
- Since the machine is a heavy object, its leg levellers should be retracted when moving the machine over the floor.
- Once the game machine is set, plug the power cord into a grounded receptacle that provides 110 VAC at 60 Hz.
- The Cabinet Monitor must be grounded with a securely connected ground plug. This will ensure safe operation as well as compliance with the applicable FCC and UL regulations.
- When unplugging the game from an electrical outlet, always grasp the plug, not the wire. Do not plug or unplug the power cord with wet hands
- If the line cord becomes damaged -core exposed, broken, etc- please contact your nearest dealer for replacement. Using a damaged line cord could result in fire or electrical shock
- The game machine includes areas of high voltages. Care must be taken at all times to avoid electrical shock whenever inspecting or adjusting the game, particularly around the monitor



5.3 Assembly of the platform to the monitor cabinet

The assembly of the two units together must be done where the machine is to be used. First of all make sure the monitor cabinet is levelled, then follow the instructions step by step:

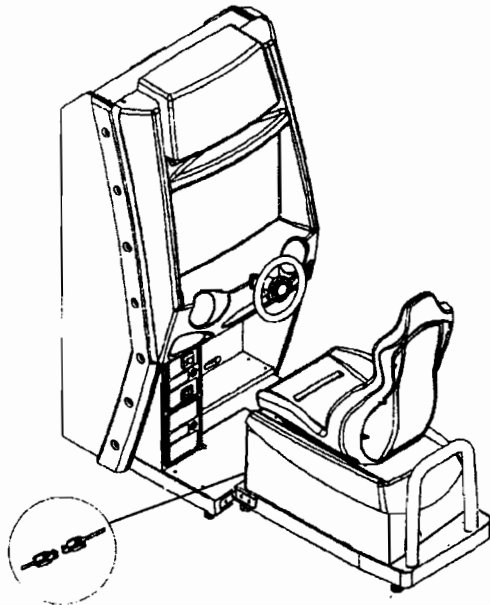


- Put the two modules close to each other, leaving room to reach the interconnect cables.
- Level the seat platform to the same height as the monitor cabinet.
- Connect the cable of the vibrator and affix the L-brackets joining the two modules using the enclosed hardware.

qty 2 Cabinet Mounting Bracket
p/n: G535-8911-00

qty 4 bolt 5/16 - 18 x 1 - 1/2
p/n: 237-6083-00

qty 4 washer 5/16 ID x 3/4 OD
p/n: 242-5030-00



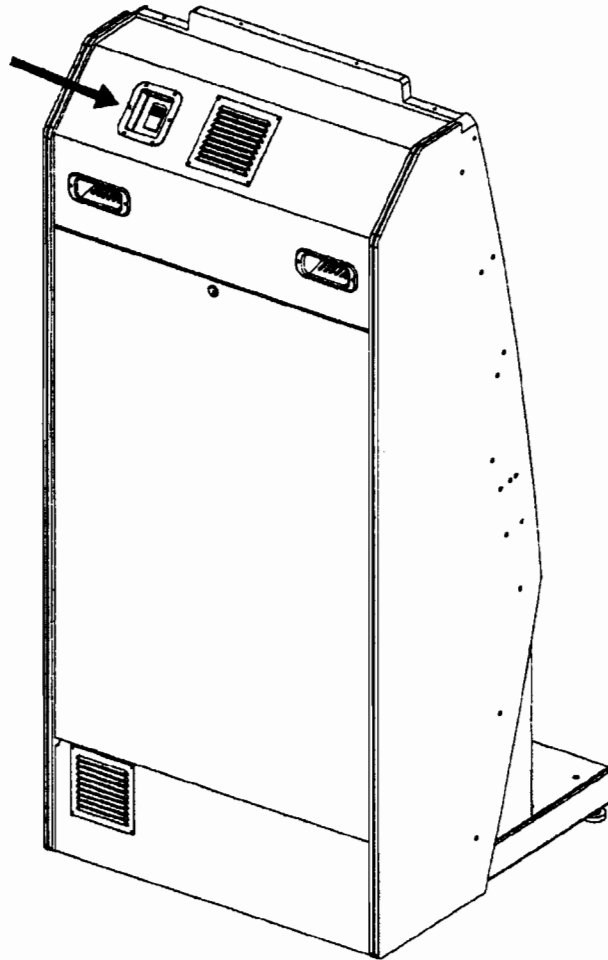
- Carefully adjust all the levellers so that the whole machine rests firm and level on the floor. Remember that the platform incorporates a vibrator!

5.4 Switching on the machine

The mains switch is located in the compact filter assembly, which also contains the fuse and the socket for the mains cable. It is found in the back of the machine, at the top right when viewed from the front.

To start the machine, push the switch to position "I".

The machine can be switched OFF (position "0") in any moment that is considered to be necessary. If a game is in progress on the machine, the credit will be lost.



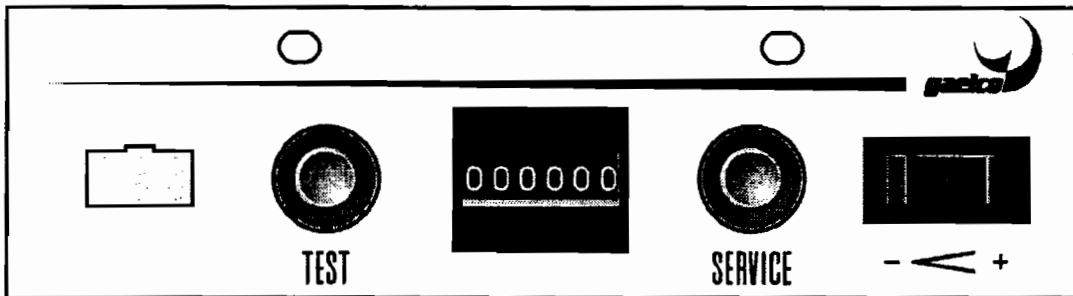
To avoid possible damage to the electronic components, wait several seconds before turning the machine on again.

6. PROGRAMMING THE MACHINE AND TEST MODE

An automatic check of the memories is made when the machine is switched on. This coincides with the presentation of the Screen Test. After a few seconds, if no error occurs, it passes automatically to show the game. The interface is also adjusted dynamically each time that a machine is switched on.

Any other adjustment should be made in TEST MODE.

The access to the TEST MODE as for the other controls -monitor, sound, etc.- is made from the CONTROL PANEL, which is situated behind the coin box door. This panel consists of a button to access TEST MODE, a coin counter, a SERVICE button, and a commuter to adjust the VOLUME of the loud speakers.



SEE INSERT BEHIND PAGE 32 FOR THE ACTUAL SERVICE PANEL LAYOUT

Pressing the TEST button enters TEST MODE, where the game variables, such as level of difficulty, linkage of machines, etc., can be adjusted. A check of the Steering Wheel and other controls can also be made. The SERVICE button allows the technician to introduce game credits without moving the coin counter.

The TEST MODE is a rotary system of 7 screens

- Settings
- Input Test
- Output Test
- Book Keeping 1 / 3
- Book Keeping 2 / 3
- Book Keeping 3 / 3
- Exit / Continue

By moving the cursor with the accelerator and brake pedals you can choose the option required. Pushing the HORN button placed on the centre of the steering wheel makes the selection.

To make sure that the changes that have been made are kept permanently, you must not switch off the machine without first leaving TEST MODE with the option **exit and save settings** of the Exit / Continue screen.

6.1 SCREEN TEST

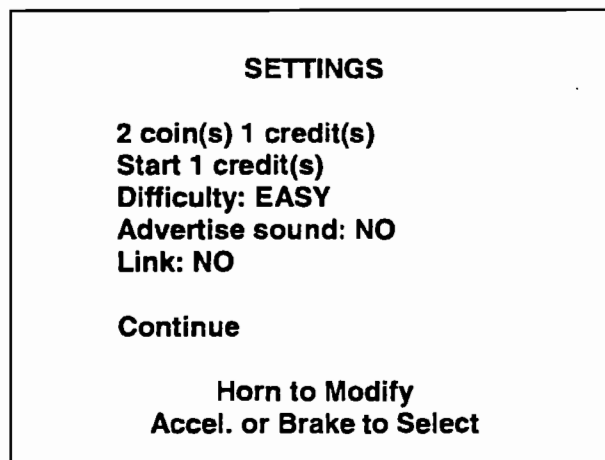
This screen is the ADJUSTMENT CARD, which should be used to suitably adjust the monitor. It shows you, also, the following information:



To jump from this screen onto the next is necessary to push the TEST button or the HORN button.

6.2 SETTINGS

On this screen you can change the following game parameters:



coin(s) / credit(s)

On this option you can adjust the number of credits (games) that the machine gives for a defined number of coins.

If the number of coins is set at zero, the machine remains adjusted for FREE PLAY.

Start

It is also possible to program the number of coins required to start the game.

Difficulty

The game has four levels of difficulty: **EASY, NORMAL, HARD** and **HARDEST**

There is also a type of variable difficulty, the **DYNAMIC**, which changes depending on the player's skills and how much busy is the machine.

Advertise sound

By means of this option you can program the machine for sound production (or not) when it is in exhibition mode.

Link

This line shows the status of the machine. If it is linked with another machine you have to assign a different status to each one of them. One should be **MASTER** and the other **SLAVE** as indicated on the options (**MASTER-RIGHT CABINET / SLAVE-LEF CABINET**).

If there is any interconnection problem, two types of message can appear when playing:

CONFIGURATION ERROR IN ONE CABINET → The machines are successfully connected but there is some error of configuration. For example, perhaps both are in **MASTER** mode, have different level of difficulty or their program versions do not coincide.

NO LINK → There is no communication between the machines. This could be due to a cable fault or because both are in **SLAVE** mode.

If there is no link between two machines the option **NO** should be selected.

To go onto the next screen push the **TEST** button or select the **Continue** option and then push the **HORN** button.



6.3 INPUT TEST

The INPUT TEST screen enables you to check the correct functioning of the following controls:

INPUT TEST

Steering wheel: 080 (-038)

Accelerator : -
Brake : -
Horn : -
Coin : -
Service : -
Test : -
Volume Up : -
Volume Down : -

Hold HORN to Continue

- The Horn button is placed on the centre of the Steering Wheel
- Service and Test buttons, as well as the volume control, are placed on the CONTROL PANEL behind de coin door.

To go onto the next screen press the HORN button for a while.

6.4 OUTPUT TEST

This screen allows you to check all output signals from the CPU: steering wheel motor, vibrator motor, horn lamp and the three sound channels. The parameter is selected by means of the pedals and the status is defined pressing the HORN button.

To check a motor the corresponding line should be ON. The power applied to the motor you choose is controlled by turning the steering wheel. This also applies to the vibrator motor, which is not powered until you turn the wheel.

To leave this screen push the TEST button or operate the Continue option.

OUTPUT TEST

Wheel motor : OFF (+0.00)
Seat motor : OFF (+0.00)
Lamp : OFF
Sound 1 : OFF
Sound 2 : OFF
Sound 3 : OFF
Continue

Horn to Modify/Confirm
Accel. or Brake to Select

6.5 BOOK KEEPING

The data for the activity of the machine are collected on three screens. To go from one screen to another you push the HORN button.

BOOK KEEPING (1/3)		
Credits	:	163
Service Cred.	:	0
One Pl. Games	:	87
Two Pl. Games	:	0
Total Time	:	41h 54m 43s
Play Time	:	3h 12m 39s
Shortest Game	:	0m 15s 43c
Average Game	:	2m 12s 85c
Longest Game	:	14m 00s 75c
Horn to Continue		

Reading from top to bottom, the following information is given on the first screen:

- Credits owed for the coins entered
- Credits entered with the SERVICE button
- Number of games of an individual player
- Number of games of two simultaneous players (Link Mode)
- Total time the machine is connected in hours, minutes and seconds
- Total time the machine is busy in hours, minutes and seconds
- Time of the shortest credit in minutes and seconds
- Time of the average credit in minutes and seconds
- Time of the longest credit in minutes and seconds

The second screen is a time histogram where a detailed distribution of the number of credits is displayed according to their duration, from 0 to 2 minutes until 8 minutes. It also includes the number of times each stage has been surpassed by winning the corresponding stretches.

BOOK KEEPING (2/3)			
0,00-2,00: XX	2,00-2,30: XX		
2,30-3,00: XX	3,00-3,30: XX		
3,30-4,00: XX	4,00-4,30: XX		
4,30-5,00: XX	5,00-5,30: XX		
5,30-6,00: XX	6,00-7,00: XX		
7,00-8,00: XX	8,00-n,nn: XX		
Win. P1: XX	(0 / 0 / 0 / 0)		
Win. P2: XX	(0 / 0 / 0 / 0)		
Win. P3: XX	(0 / 0 / 0 / 0)		
Winners DUSK&WIRED:	XX		
Horn to Continue			

- Win. P1** → winners of the **EARLY BIRD** stage
- Win. P2** → winners of the **RUSH HOUR** stage
- Win. P3** → winners of the **NIGHT OWL** stage

Each stage consists of three stretches, plus a bonus stretch when the player makes enough points. The bonus stretch has three “time extended” lines.

The **DUSK&WIRED** stage is not available until the player surpasses the other three stages.

The third screen shows additional information about the game incidences on each stage:

- Lvl: Game level
- Cont: Continue (Number of players)
- GmOv: Game Over (“ “ “ ”)
- Win: Winners on each level
- MinT: Minimum time
- AvgT: Average time

To go onto the next screen press the HORN button.

BOOK KEEPING (3/3)						
Lvl	Cont	GmOv	Win	MinT	AvgT	
1.1	4	23	8	84.55	87.58	
1.2	0	5	1	79.55	80.90	
1.3	0	6	2	79.53	105.81	
2.1	6	18	3	88.61	91.06	
2.2	0	2	0	86.46	0.00	
2.	0	0	1	84.53	87.51	
31	1	5	1	86.55	91.06	
3.2	0	3	0	87.55	0.00	
3.3	2	1	0	85.16	0.00	
4.1	0	0	0	134.43	0.00	

Horn to Continue

6.6 EXIT / CONTINUE SCREEN

On this screen the following options are displayed:

Reset Book Keeping
Reset Record Tables
Exit and Save Settings
Exit Without save Settings
CONTINUE IN TEST MODE

Horn to Confirm
Accel. or Brake to Select

Reading from top to bottom:

- Erase data of the game record tables that accumulate from day to day.
- Erase the book keeping data.
- **Exit from Test Mode retaining memory of the changes that have been made in the previous screens**
- Exit from Test Mode without keeping the changes
- Continue in Test Mode

Selection is made with the brake and accelerator pedals, while the option chosen is switched in with the horn button.

Be careful! Whatever the changes that have been selected in the previous screens will be eliminated unless you exit from this final screen using the option **exit and save changes**, confirmed with the Horn button as indicated on the bottom of the screen.

7. HOW TO PLAY

Starting the game

To start to play it is necessary to put enough coins to cover the price of at least one credit (credit::1). If the programmed number of coins is not reached, the message could be, for example, credit: 0 1/2. In this case, the first figure is the number of credits obtained (none) and, in the fraction, the first figure is the number of coins already introduced (one) whereas the second figure is the number of coins necessary (two) to reach the price of the credit. The cost of a credit is programmed from Test Mode (see section 6.2). When the game has a cost different to one credit, as in the example of the previous paragraph, the player has to introduce coins until the price is equal or greater than the programmed option.

When the necessary coins have been put in, the player has to press the HORN button, placed on the centre of the steering wheel. From this moment the game begins.

The player can choose any one of the 3 main stages by turning the steering wheel. Pressing the HORN button confirms the choice. The game begins as soon as the confirmation is made or after ten seconds.

Game System

SMASHING DRIVE is an arcade game based on the frantic driving of a "super-cab" in New York City. The taxi driver picks up a client and races through NY trying to avoid traffic jams and obstacles, discovering many surprising shortcuts and getting extra advantages distributed at points along the course, that convert the cab in a fantastic car worthy of Batman or James Bond. Almost everything is permitted but the car loses speed when smashes against an obstacle, so bad drivers would be punished with rather poor scores.

The goal of the player is to complete the selected circuit in the least possible time, dodging the obstacles that cut across his path, at the same time keeping a fierce competition with another cab controlled by the CPU. Two players can also race one against each other when the machines are linked.

There are 3 different stages, as mentioned above, plus a hidden one that is available if the player succeed in winning completely all the previous stages. Each stage, or phase, consists of three stretches of 80 seconds each, approximately.

The player can choose any of the three different stages of the game. To win a game stage the player must reach the end of each stage before the rival taxi. When playing against the machine, the opponent taxi carries the CPU sign. When two machines are linked and the opponent is another player, his taxi carries the PL2 sign.

Time goes on as soon as the game starts. In the middle and at the end of each section there is TIME EXTENDED line where the player can get extra time.

The player is eliminated if does not complete the full stage before the time limit. This varies according the difficulty of the course.

The hidden stage is a special run of just over two minutes long, with two TIME EXTENDED points.

Controls

The player has a steering wheel to drive the vehicle, an accelerator pedal to speed up and a brake pedal to stop with. The steering wheel has a button in the center to sound the horn and for some other uses. When the horn is active cars and pedestrians get out of the way, but excessive and unnecessary use causes a temporary loss of function.

The player can make spectacular maneuvers with these controls. For example:

- Rapid turn of the steering wheel with the brake pedal down hard: this causes a skid, giving a faster and tighter turn of the vehicle.
- Rapid turn of the steering wheel when the taxi is near and parallel to other vehicle: result is a strong side impact.

Special Advantage icons

Scattered along the course are a series of icons which can be captured if the player crosses them with the taxi. Each icon gives some type of advantage for a short span of time:



TURBO: Gives a fantastic increase of speed

BIG-FOOT: Provides the taxi with giant wheels capable of crushing anything.

CUTTER: Equips the taxi with circular saws for cutting obstacles.



REPAIR: Allows the player to repair any crash damage

CRASH: Super bumpers that allow the taxi to crash head-on without damage.

SONIC: The horn can make sonic blasts that destroy nearby vehicles.



GLIDER: The taxi can manoeuvre whilst in the air, thanks to ailerons.

TIME: Time bonus

(?): Surprise! (any of the previous helps)

8. HOW TO LINK TWO MACHINES

SAMASHING DRIVE allows you to connect two machines so that two players can compete directly. To do this the following steps should be taken:

1. Make sure that the connection cable is correctly plugged into both machines.
2. Switch on both machines.
3. Press the **TEST** button on the **CONTROL PANEL** of both machines.
4. Go to the **SETTINGS** on both machines (See section 6.2 of this manual)
5. Define the condition of each machine, **Master** or **Slave** as indicated on the **SETTINGS** screen.
6. Go to the **EXIT / CONTINUE** screen, choose **EXIT AND SAVE CHANGES** option and validate with **START** button (Horn).

When you want to disconnect the two machines, you should unplug the link cable and proceed in the same way from step 2. On step 5 choose **NO** for both machines, then exit from the Test Mode with the option **EXIT AND SAVE CHANGES** of the **EXIT / CONTINUE** screen.

9. MAINTENANCE

In all maintenance operations these directions should always be observed,

- When replacing parts, be sure to use parts of the correct specifications.
- Adjustment is required whenever the game PCB, joystick or potentiometers are changed
- Do not attempt to repair the PCB. It contains sensitive chips that could easily be damaged by even the small internal voltage of a meter. Always return the PCB to your distributor for any repairs.

9.1 Checking the steering wheel

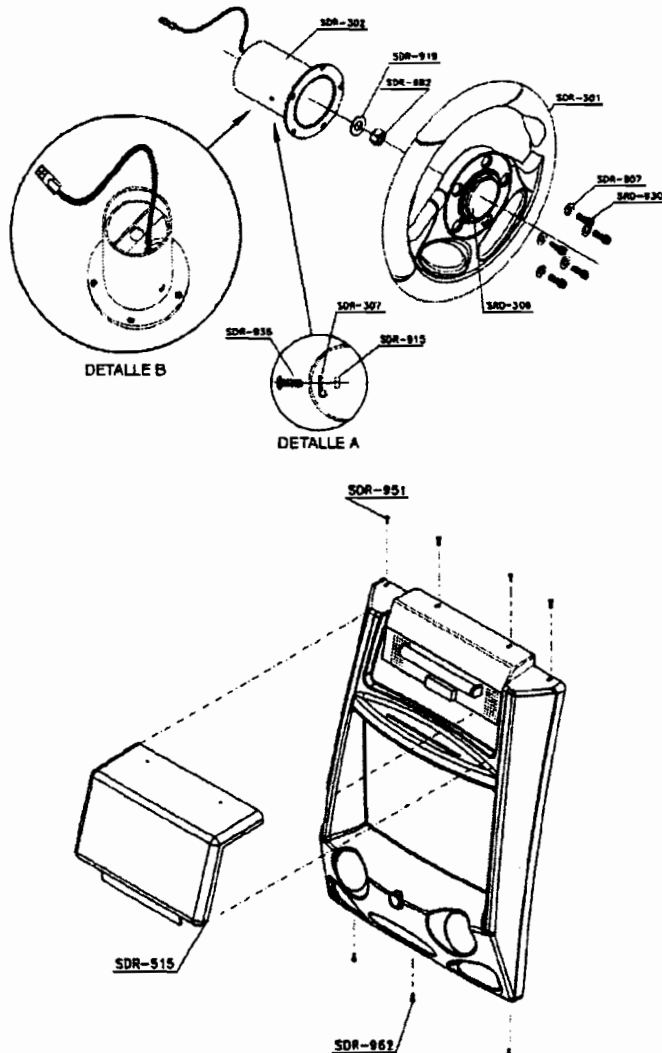
The control of the steering wheel is adjusted automatically as the player turns it from one side to another, so that no further adjustment is necessary. None the less, if you suspect its is not working well, a simple test can be made. Enter INPUT TEST (section 6.3) and go to the Steering wheel line (should be switched ON). When the steering wheel is in its central position, the figure in brackets should be close to zero.

9.2 Fuse replacement

Before starting this operation disconnect the machine from the mains supply using the switch located on the rear of the monitor cabinet (see section 5.4). For greater safety you can unplug the mains cable. The fuse is in the same unit as the switch and the mains cable socket.



9.3 Access to the steering wheel mechanism



To get at the steering wheel mechanism, do as follows:

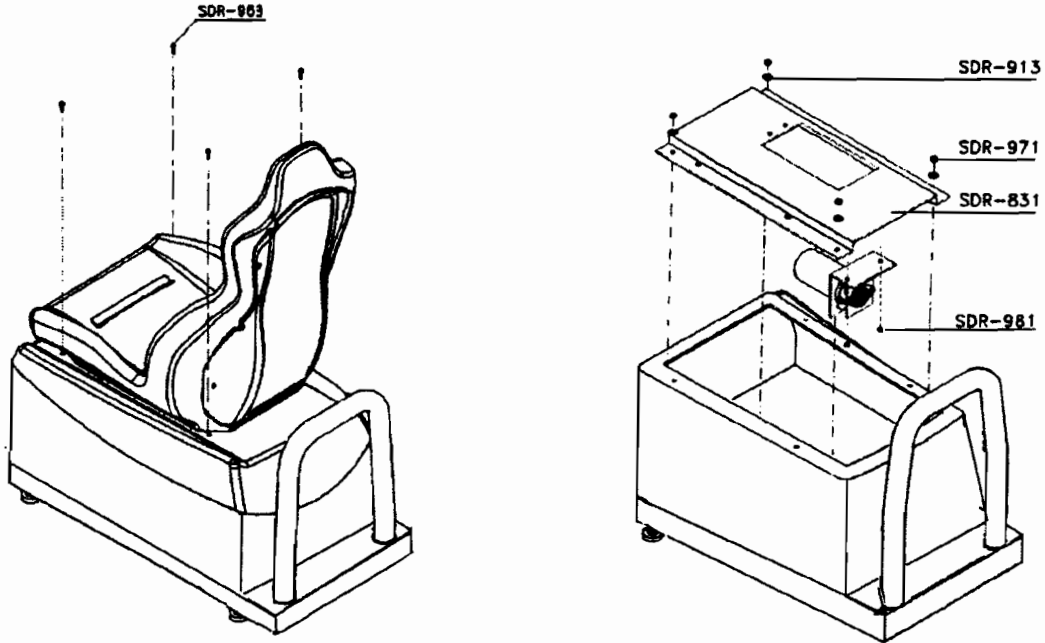
- 1) Remove the steering wheel after unscrewing the five bolts SDR-930 which fasten it to its cylindrical mounting.
- 2) Unscrew the nut SDR-982 using a 19mm tube spanner
- 3) Disconnect the cable and remove the steering wheel.
- 4) Unscrew the four screws SDR-951 and the three SDR-962 which hold the plastic panel in position.
- 5) Loosen (do not unscrew completely) the screws of the side mouldings which retain the plastic panel
- 6) Remove the plastic panel so the mechanism can be examined or taken out.

WARNING

The horn cable is fixed to the cylinder support SDR-302 with the plastic clamp SDR-307 and a special housing (DETALLE B) where it fits under pressure. Please do not forget to check those fixings when mounting the cylinder.

9.4 Access to the vibrator

The first step to access the vibrator is to dismantle the seat assembly by taking out the four bolts SDR-963 which hold it to the platform. To take out the rear bolts is necessary to move the seat forwards. The front bolts are exposed when the seat is moved backwards.



Once the seat assembly is removed, the vibrator can be accessed when the plate SDR-831 is unscrewed. If you need to work on the vibrator, there is a detailed diagram in section 10.8.



9.5 Basic troubleshooting

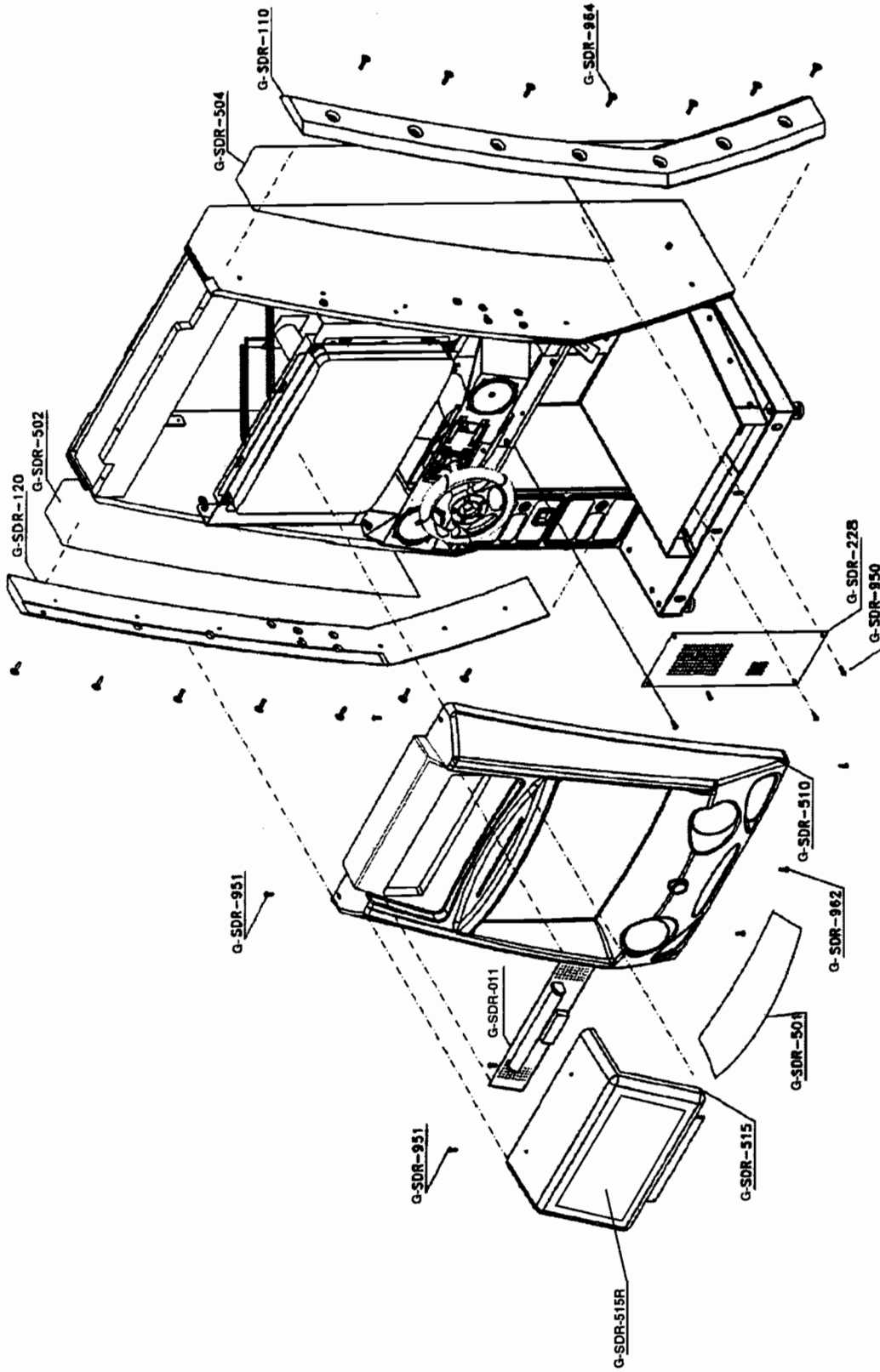
<u>PROBLEM</u>	<u>POSSIBLE SOLUTION</u>
Nothing happens when turning on the machine	<ul style="list-style-type: none"> ✓ Check wiring connector connections ✓ Check fuse of the line filter ✓ Check voltage value for +5VDC on PSU
Monitor screen is black or the picture is distorted	<ul style="list-style-type: none"> ✓ Check for faults on monitor ✓ Check for disconnected cable ✓ Check for faulty PC Board
Colour or Image on the screen is not correct	<ul style="list-style-type: none"> ✓ Enter Screen Test (section 6.1) on Test Mode making the necessary adjustments.
There is no sound or its quality is poor	<ul style="list-style-type: none"> ✓ Enter Test Mode and check the sound ✓ Check the speakers and their connections ✓ Check voltage value for +12VDC ✓ Check the volume button on the Control Panel
The steering wheel is not operating properly	<ul style="list-style-type: none"> ✓ Check that the potentiometer belonging to the steering wheel is working correctly. ✓ Check the connections between the potentiometer and the CPU. ✓ The potentiometer should be supplied between the voltage limits of +5VDC and GND. ✓ On the cursor of the potentiometer should be a voltage of approximately 2.5VDC when the steering wheel is centred
The message COMMUNICATION ERROR appears on the screen	<ul style="list-style-type: none"> ✓ Check the link ✓ Follow the indications of section 6.2 (SETTINGS)

10. PARTS LIST

10.1 MONITOR CABINET – Plastics and attachments

CODE	DESCRIPTION
G-SDR-110	<i>SIDE COVER, RIGHT</i>
G-SDR-120	<i>SIDE COVER, LEFT</i>
G-SDR-228	<i>SUBWOOFER PROTECTION PLATE</i>
G-SDR-501	<i>STICKER - INSTRUCTIONS</i>
G-SDR-502	<i>STICKER - LEFT</i>
G-SDR-504	<i>STICKER - RIGHT</i>
G-SDR-510	<i>FRONT PLASTIC</i>
G-SDR-515	<i>ATTRACTION PANEL ASSEMBLY</i>
G-SDR-515R	<i>ATTRACTION PANEL MARQUEE</i>
G-SDR-011	<i>FLUORESCENT ASSEMBLY, attraction panel</i>
G-SDR-950	<i>SCREW RA81 SELFTHREAD, 3,9x9</i>
G-SDR-951	<i>SCREW RA81 SELFTHREAD, 3,9X20</i>
G-SDR-962	<i>SCREW , 237-5978-00 1/4 - 20 x 1 1/4 PPH</i>
G-SDR-964	<i>SCREW , 237-6082-00 1/4 - 20 X 1 3/4 PTH</i>





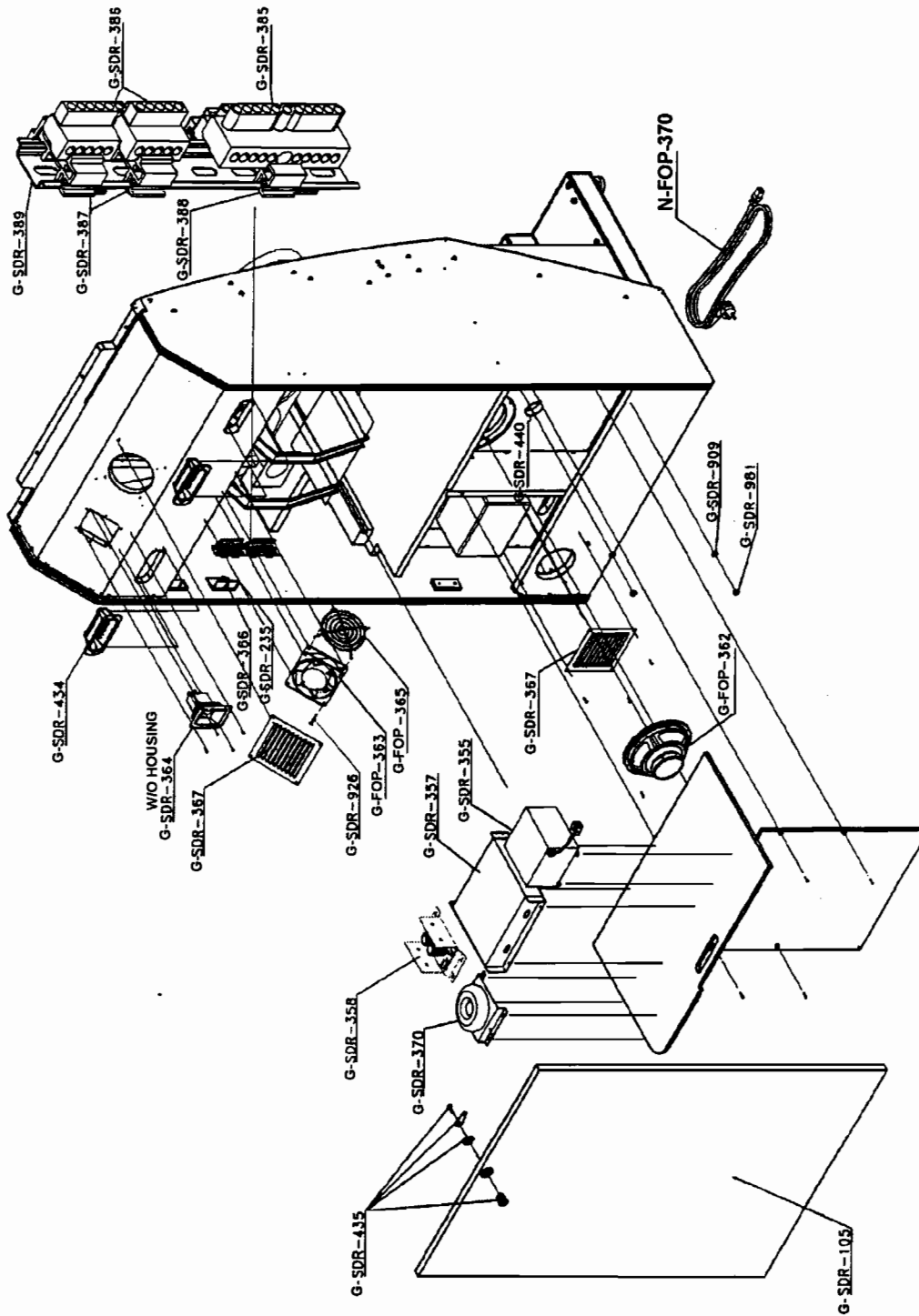
MONITOR CABINET - Plastics and attachments

10.2 MONITOR CABINET ASSEMBLY – Back view

CODE	DESCRIPTION
G-SDR-105	BACK DOOR
G-SDR-235	BRACKET, Safety switch , N535-8752-00
G-SDR-355	POWER SUPPLY UNIT, REF. USR/CNRGWP-2004T
G-SDR-357	SMASHING DRIVE CPU BOARD
G-SDR-358	MOTOR CONTROL UNIT
G-FOP-362	8" SPEAKER (SUBWOOFER) – 100W / 4Ω
G-FOP-363	FAN, 110V 120X120
G-SDR-364	AC FILTER & FUSE HOLDER, REF. QUALTEC 880-01
G-FOP-365	FAN GRILL
G-SDR-366	SAFETY SWITCH, back door , 180-5136-00
G-SDR-367	VENTILATION GRILL 15X15
G-SDR-370	TRANSFORMER , G-010-5024-00
N-FOP-370	POWER CABLE
G-SDR-385	15 PIN TERMINAL BLOCK , N-045-5405-15
G-SDR-386	10 PIN TERMINAL BLOCK , N-045-5405-10
G-SDR-387	BASE BM 99601 for fixing terminal block
G-SDR-388	BASE BM 99821 for fixing terminal block
G-SDR-389	FIXING RAIL for terminal blocks
G-SDR-434	PLASTIC GRAB HANDLE C3605
G-SDR-435	DOOR LOCK, 355-5035-00 N23078A X CAM X 2K X SF4000
G-SDR-440	PLASTIC TUBE, subwoofer box
G-SDR-909	WASHER , 242-5030-00
G-SDR-926	SCREW DIN 7985 M4X5 COPPERPLATED, fan ground
G-SDR-981	NUT , 240-5312-00



SMASHING DRIVE - OPERATOR'S MANUAL

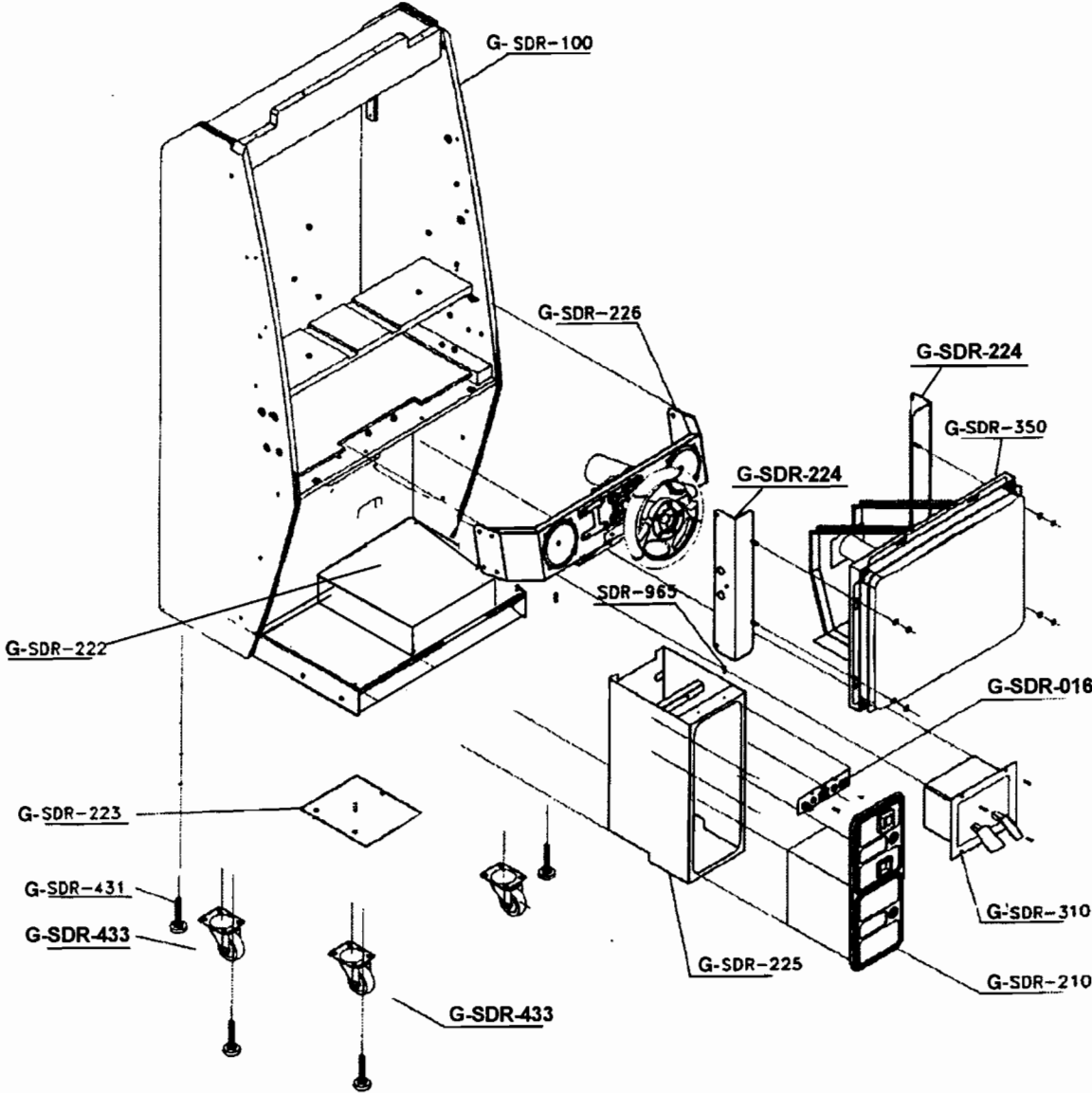


10.3 MONITOR CABINET – Front view

CODE	DESCRIPTION
G-SDR-100	WOODEN CABINET
G-SDR-210	DOUBLE FRAME MINIDOOR (coin door and cash box door)
G-SDR-222	ALUMINIUM COVER, feet rest platform
G-SDR-223	ALUMINIUM PLATE, feet rest platform
G-SDR-224	BRACKET, monitor 535-8915-00 (left); 535-8915-01 (right)
G-SDR-225	RECEPTACLE for dual frame minidoor
G-SDR-226	BRACKET, steering wheel
G-SDR-016	TEST & SERVICE PANEL G-535-8923-00
G-SDR-310	DUAL FOOT PEDAL ASSEMBLY, GAS/BRAKE
G-SDR-006	28" MONITOR, WELLS GARDNER D9200 REF. WGM2792-U0TS29K
G-SDR-431	LEG LEVELER, G-0066-003-00A 1/2-13 4" L
G-SDR-433	CASTER, SWIVEL G-0066-007-000 160 - 2 1/2 #25188



SEE NEXT PAGE INSERT FOR SERVICE PANEL LAYOUT.



MONITOR CABINET – FRONT VIEW

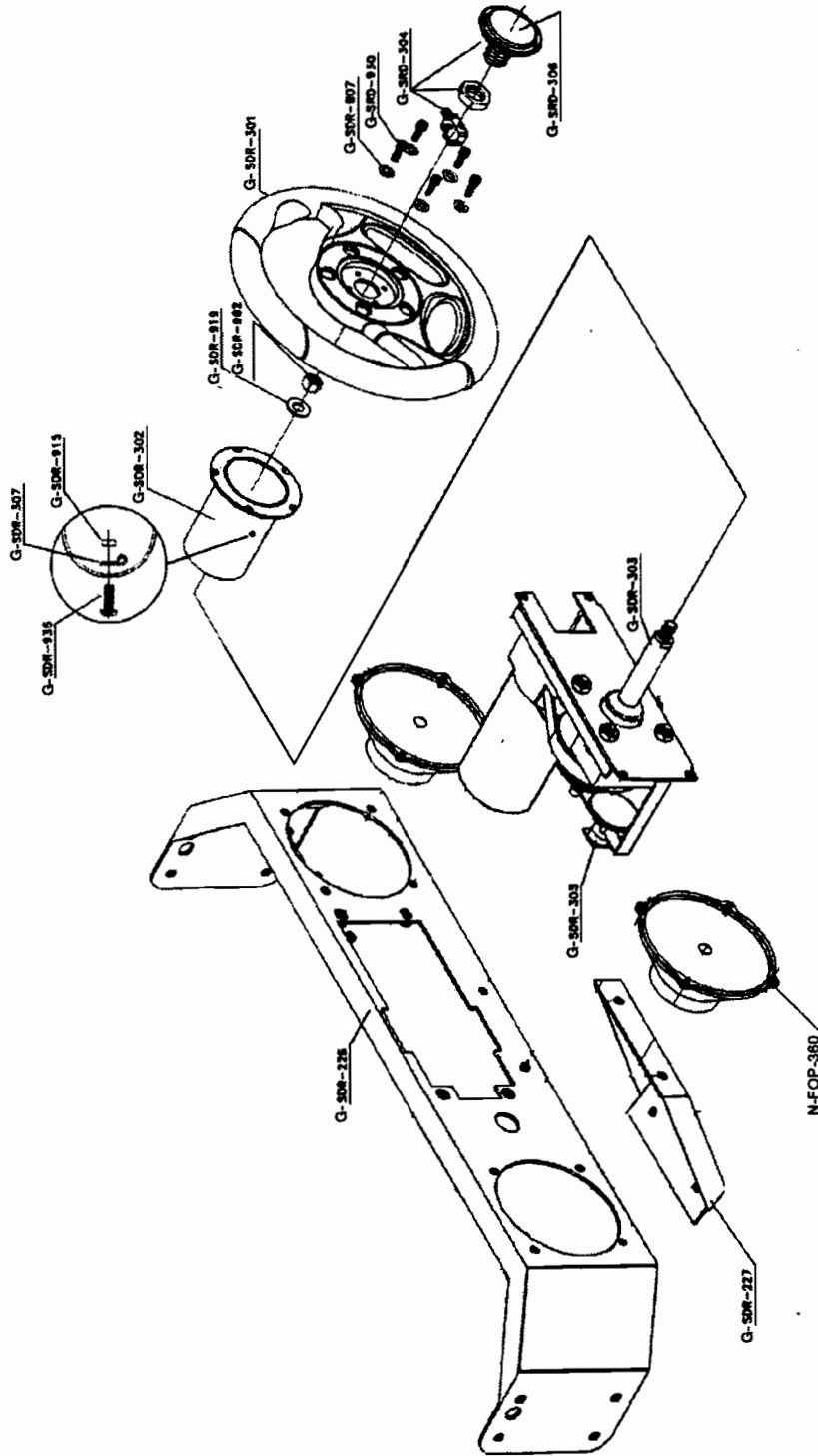
THIS PAGE LEFT BLANK FOR CLARIFICATION PURPOSES.



10.4 STEERING WHEEL ASSEMBLY

CODE	DESCRIPTION
G-SDR-226	<i>BRACKET, steering wheel mechanism</i>
G-SDR-227	<i>BRACKET SUPPORT</i>
G-SDR-301	<i>STEERING WHEEL</i>
G-SDR-302	<i>COUPLING CYLINDER, steering wheel</i>
G-SDR-303	<i>STEERING WHEEL MECHANISM</i>
G-SDR-304	<i>HORN BUTTON</i>
G-SDR-305	<i>POTENTIOMETER 5KΩ</i>
G-SDR-306	<i>STICKER, horn button</i>
G-SDR-307	<i>CABLE CLAMP N-4</i>
N-FOP-360	<i>5" SPEAKER / 4Ω / 60W – 2 WAY</i>
G-SDR-907	<i>WASHER AEF M6</i>
G-SDR-915	<i>WASHER DIN 6923, M5</i>
G-SDR-918	<i>WASHER DIN 6789A, M8</i>
G-SDR-919	<i>WASHER DIN 6798A, M12</i>
G-SDR-930	<i>SCREW DIN 912, M6X16</i>
G-SDR-935	<i>SCREW ISO 7380, M5X10</i>
G-SDR-982	<i>NUT DIN 985, M12</i>





STEERING WHEEL ASSEMBLY

10.5 STEERING WHEEL MECHANISM

CODE	DESCRIPTION
C-22-03036	<i>WASHER, belt fastener</i>
C-22-0103660	<i>SCREW, belt fastener</i>
C-22-0501410	<i>SLEEVE, potentiometer pinion</i>
C-22-80025525	<i>KEY WODRUF, steering wheel shaft</i>
C-29-401582	<i>MOTOR 20VDC, 3.9A MODEL 1582</i>
C-29-405680	<i>POTENTIOMETER 5KΩ, with PCB (SDR-305)</i>
C-40-000300	<i>BEARING HOUSING</i>
C-40-022087	<i>PLASTIC PINION, shaft</i>
C-40-023097	<i>PLASTIC PINION, potentiometer</i>
C-40-025048	<i>MOTOR PULLEY, plastic</i>
C-40-085027	<i>BELT 15mm 400/5</i>
C-40-203100	<i>SLEEVE, motor pulley</i>
C-40-206002	<i>BEARING 6002 ZZ</i>
C-40-0250301	<i>OMEGA, belt fastener</i>
C-43-050300	<i>GUIDE SLEEVE, self-oil</i>
C-GA-TX00010	<i>ATTACHMENT PLATE</i>
C-GA-TX00020	<i>MOTOR BRACKET</i>
C-GA-TX00030	<i>POTENTIOMETER BRACKET, iron</i>
C-GA-TX01010	<i>SHAFT (SDR-303)</i>
C-GA-TX02010	<i>STOPPER</i>
C-GA-TX03600	<i>SHAFT PULLEY, iron</i>
C-GA-TX05200	<i>SLEEVE, steering wheel shaft</i>



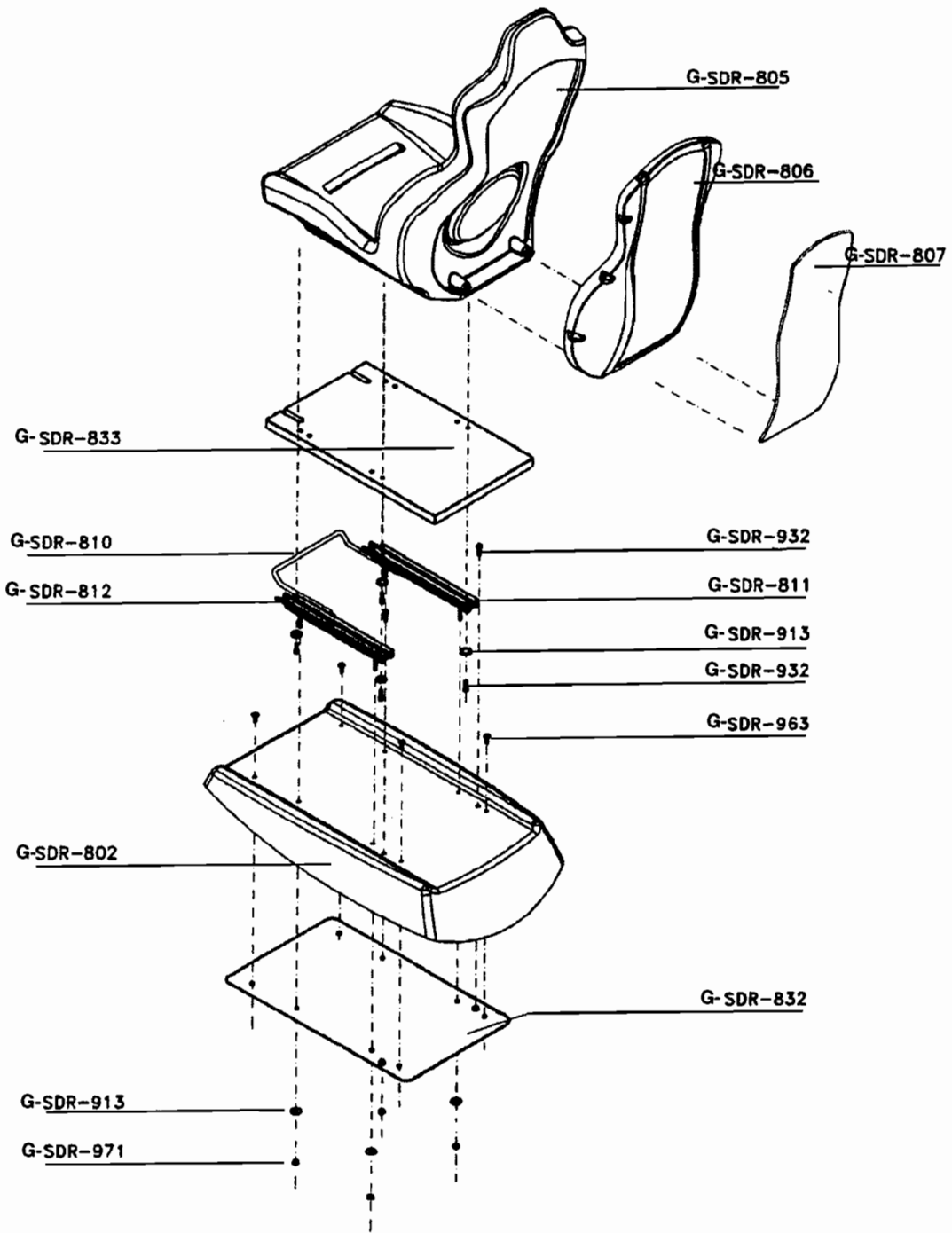
THIS PAGE LEFT BLANK FOR CLARIFICATION PURPOSES.



10.6 SEAT ASSEMBLY

CODE	DESCRIPTION
G-SDR-802	<i>PLASTIC COVER, seat slides</i>
G-SDR-805	<i>SEAT</i>
G-SDR-806	<i>BACK COVER, seat</i>
G-SDR-807	<i>STICKER, back cover</i>
G-SDR-810	<i>HANDLE, seat slides</i>
G-SDR-811	<i>SEAT SLIDE, RIGHT</i>
G-SDR-812	<i>SEAT SLIDE, LEFT</i>
G-SDR-832	<i>SUPPORTING PLATE, seat</i>
G-SDR-833	<i>PROTECTION PLATE, seat slides</i>
G-SDR-913	<i>WASHER, SPLIT LOCK 5/16 244-5004-00</i>
G-SDR-932	<i>SCREW DIN 912, M8X16</i>
G-SDR-963	<i>SCREW 237-6085</i>
G-SDR-971	<i>NUT LOCK ZN M8 ELAST G-0013-010-11</i>



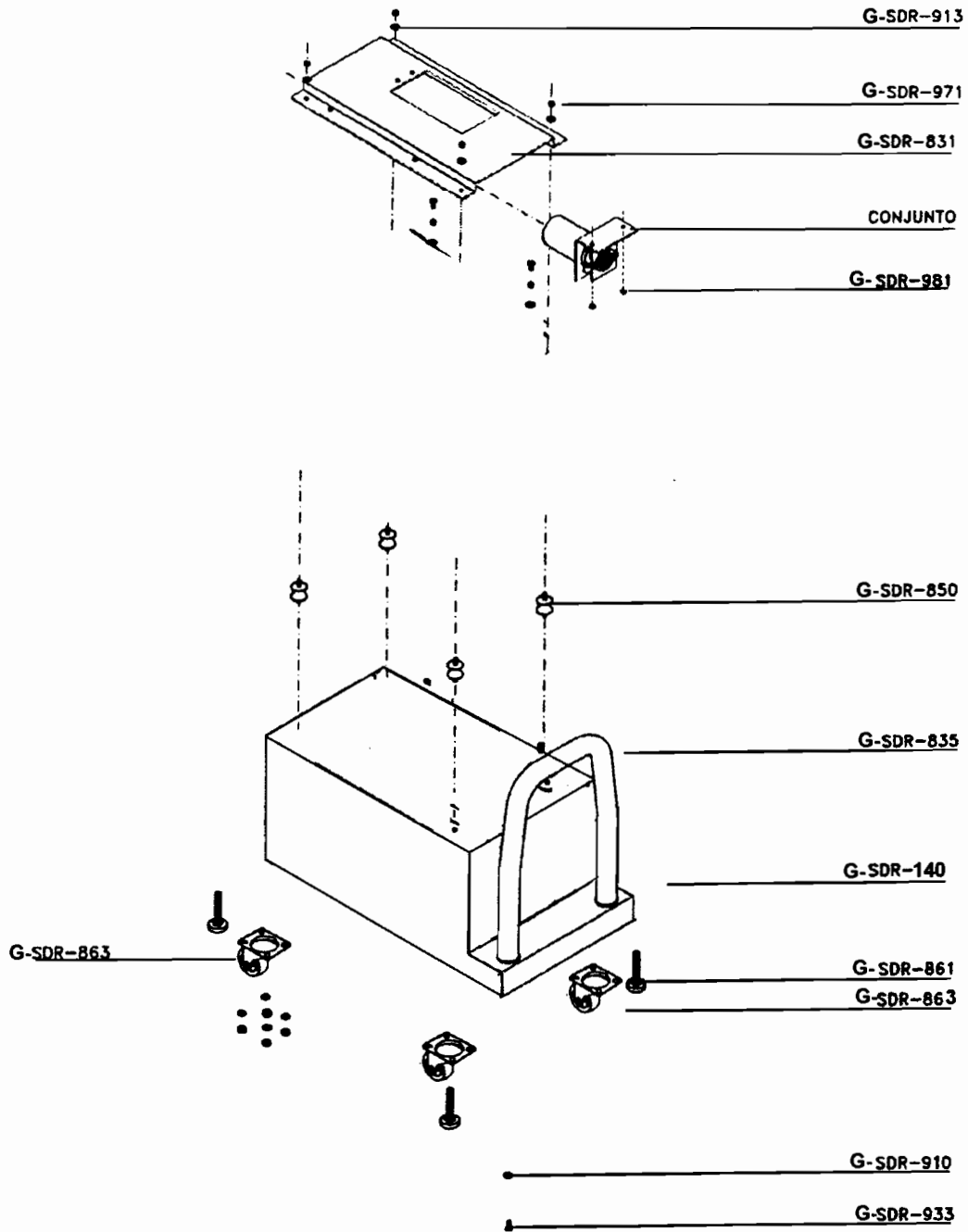


SEAT ASSEMBLY

10.7 PLATFORM ASSEMBLY

CODE	DESCRIPTION
G-SDR-140	<i>MAIN STRUCTURE</i>
G-SDR-831	<i>VIBRATOR BASE</i>
G-SDR-835	<i>"U" TUBE</i>
G-SDR-850	<i>SILENT BLOCK 34X34 / 55 SHORE</i>
G-SDR-851	<i>RING K19 COMPAK, rubber</i>
G-SDR-852	<i>SEPARATOR SLEEVE K112 COMPAK, brass</i>
G-SDR-861	<i>LEG LEVELER, G-0066-003-00A, 1/2 - 13 4"L</i>
G-SDR-863	<i>CASTER, SWIVEL, G-0066-007-000, 160 - 2-1/2 #25188</i>
G-SDR-913	<i>WASHER, SPLIT LOCK 5/16 244-5004-00</i>
G-SDR-971	<i>LOCK NUT ZN M8 ELAST G-0013-010-111</i>
G-SDR-981	<i>NYLON STOP NUT 240-5316-00</i>
G-SDR-910	<i>WASHER 3/8 242-5000-00</i>
G-SDR-933	<i>BOLT BT BO 3/8 - 16 X 24 HX G0007-020-211</i>



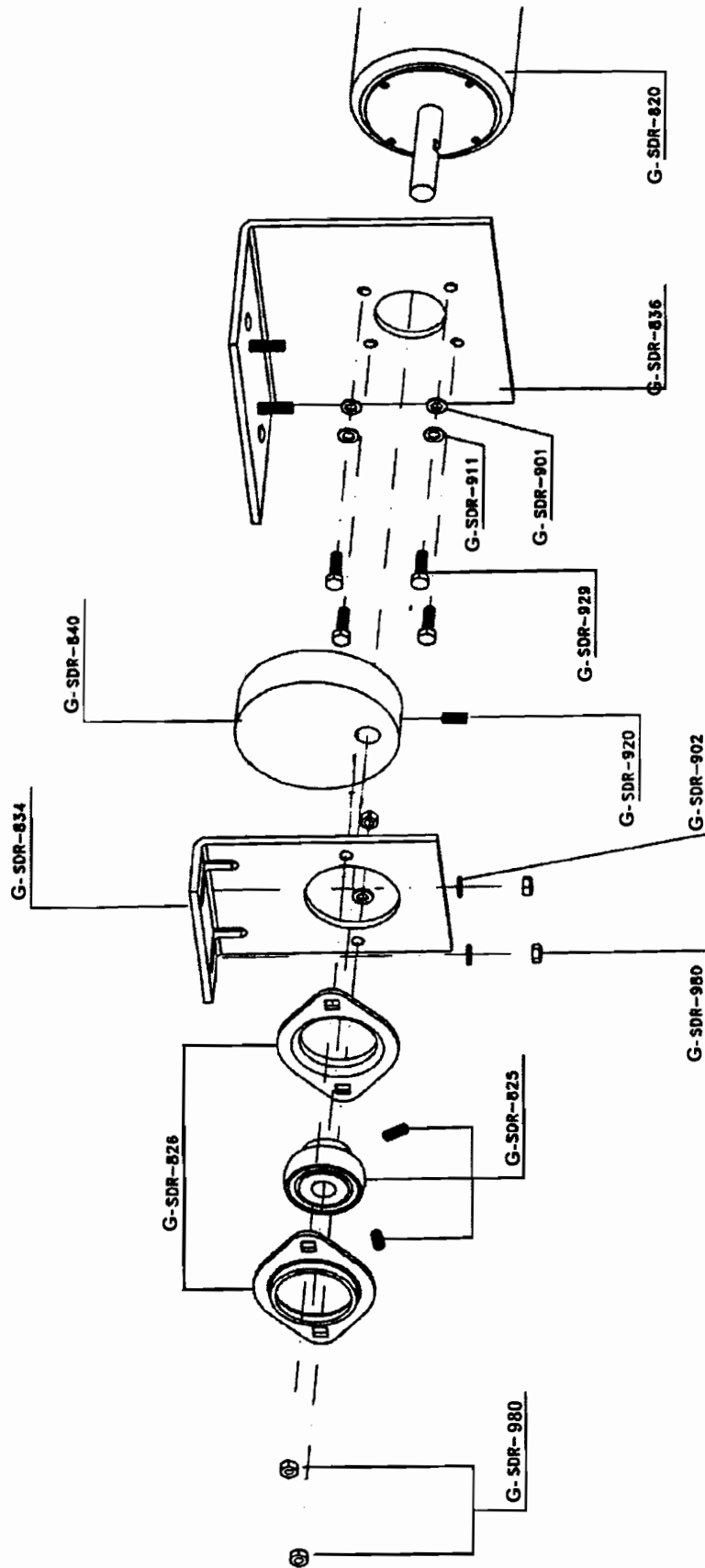


PLATFORM ASSEMBLY

10.8 VIBRATOR ASSEMBLY

CODE	DESCRIPTION
G-SDR-820	<i>MOTOR</i>
G-SDR-825	<i>BEARING ASSEMBLY SB201-BPFL-12</i>
G-SDR-826	<i>BEARING HOUSING BPFL-12</i>
G-SDR-834	<i>BEARING BRACKET</i>
G-SDR-836	<i>MOTOR BRACKET</i>
G-SDR-840	<i>ECCENTRIC DISC</i>
G-SDR-901	<i>WASHER DIN 125, M4</i>
G-SDR-902	<i>WASHER 1/4 ID X 7/8 OD X 1/8 BLK 242-5016-00</i>
G-SDR-911	<i>GROWER WASHER DIN 127, M4</i>
G-SDR-929	<i>SCREW DIN 912, M4X14</i>
G-SDR-980	<i>NUT, NYLON STOP 1/4 - 20 240-5314-00</i>

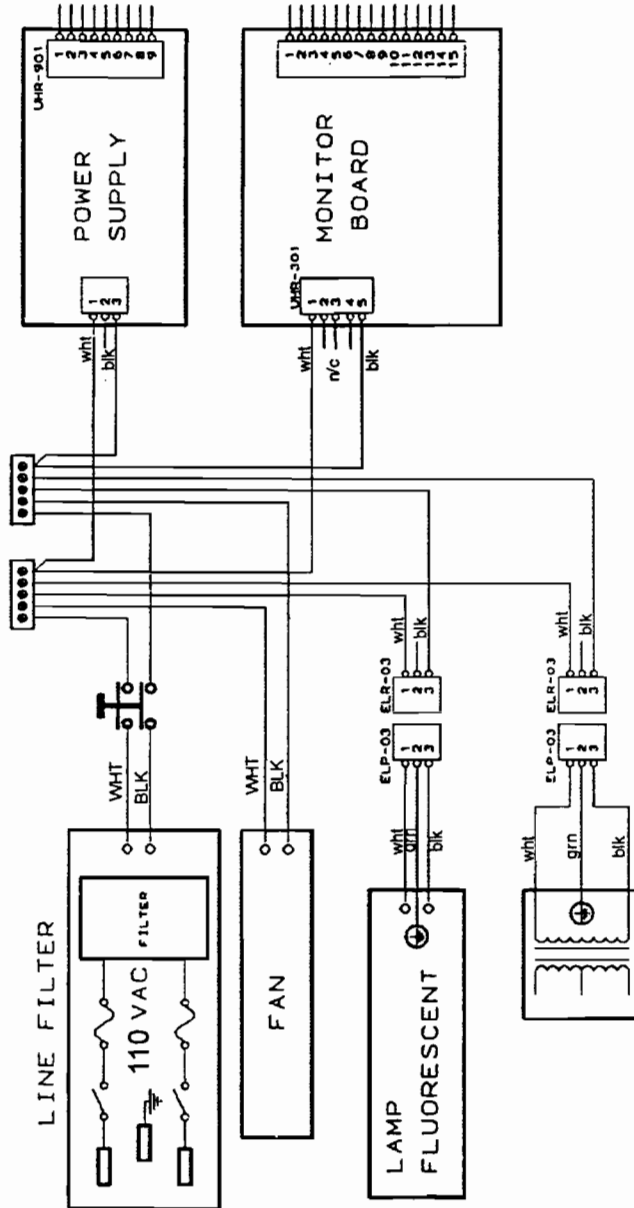




11. WIRING DIAGRAMS

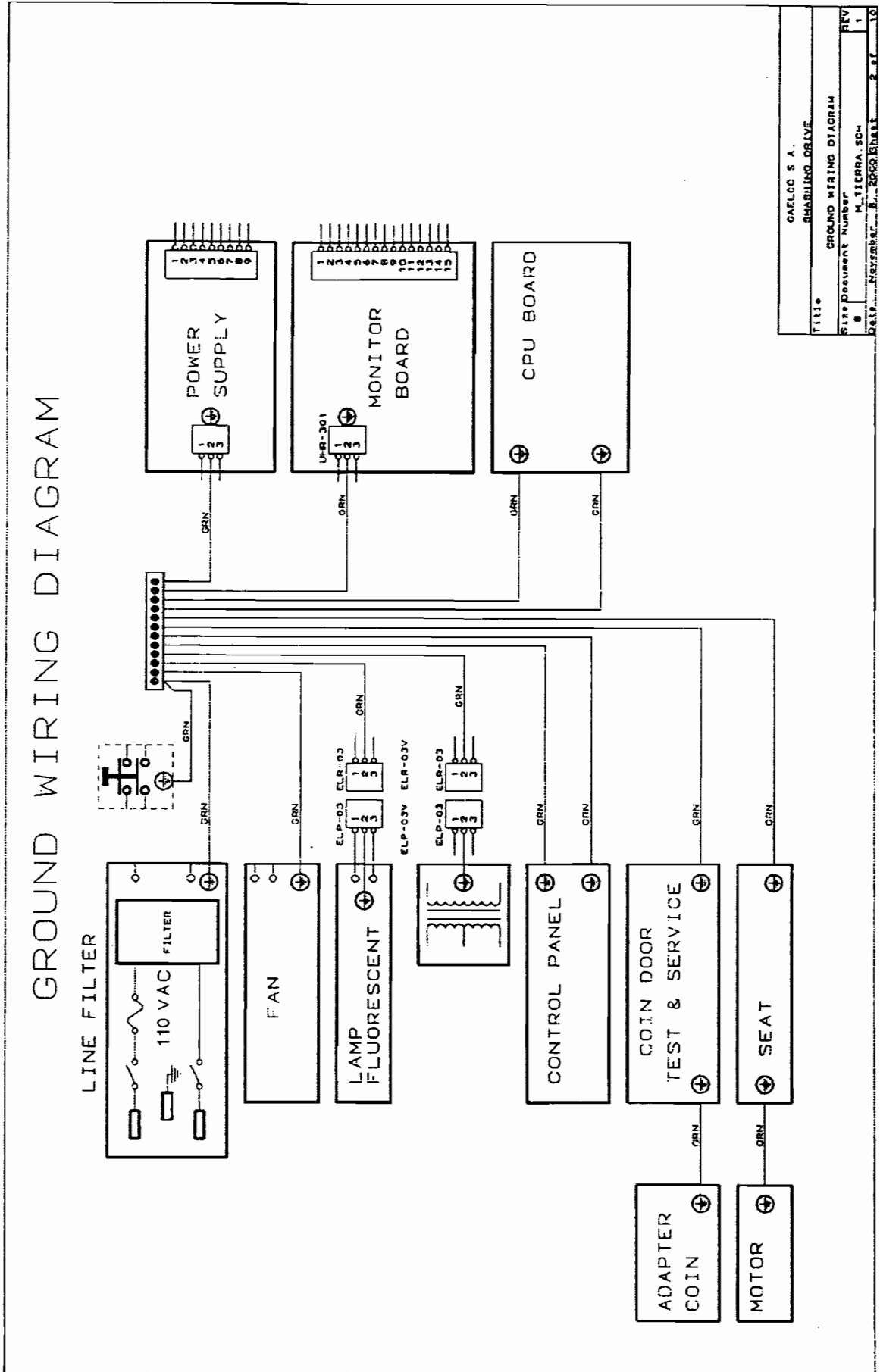
11.1 POWER WIRING

POWER WIRING DIAGRAM



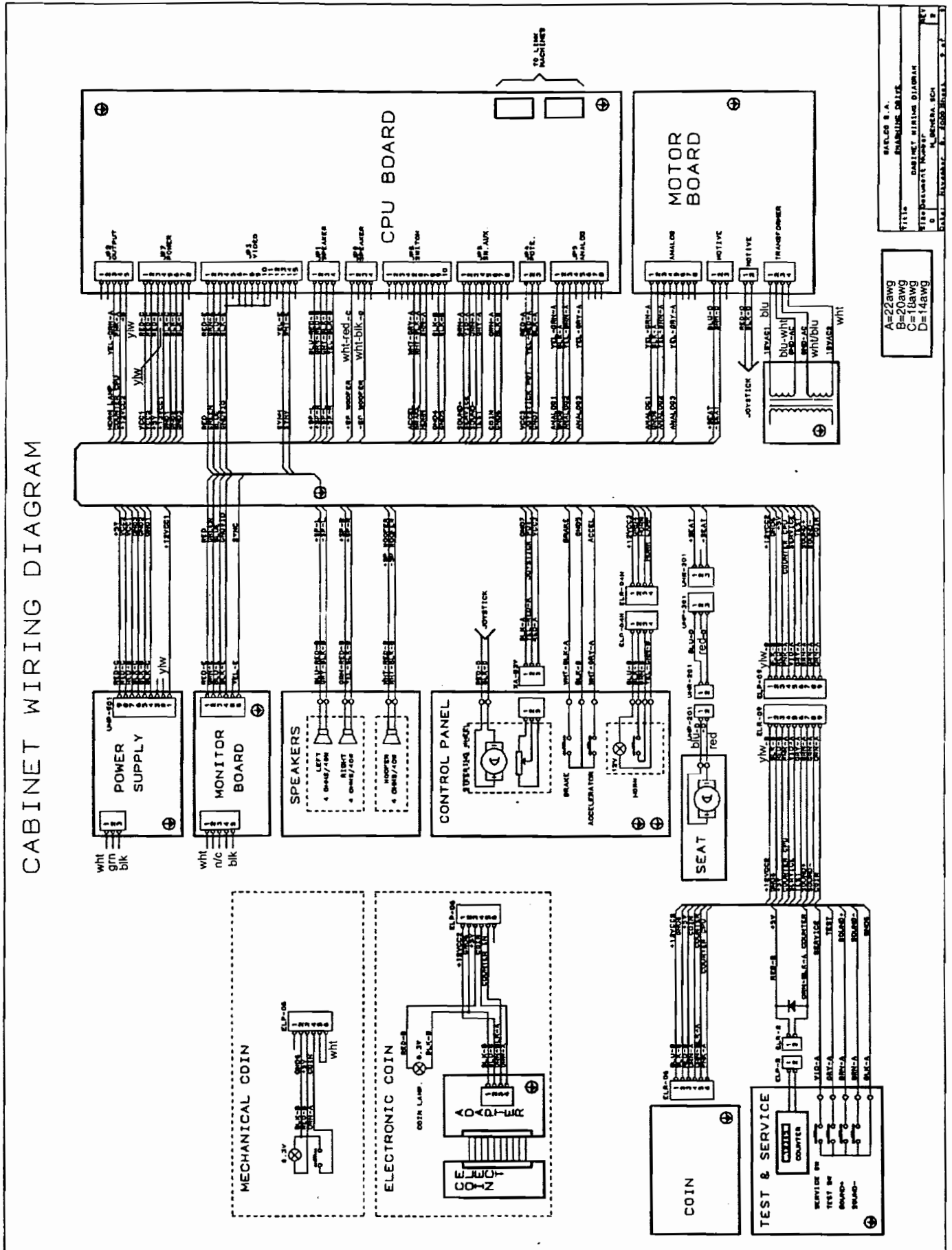
11118	SMASHING DRIVE
B	POWER WIRING DIAGRAM (110 VAC)
1	Step Document Number
1	M. 110V SCH
1	REV
10	DATE: September 28, 2000

11.2 GROUND WIRING



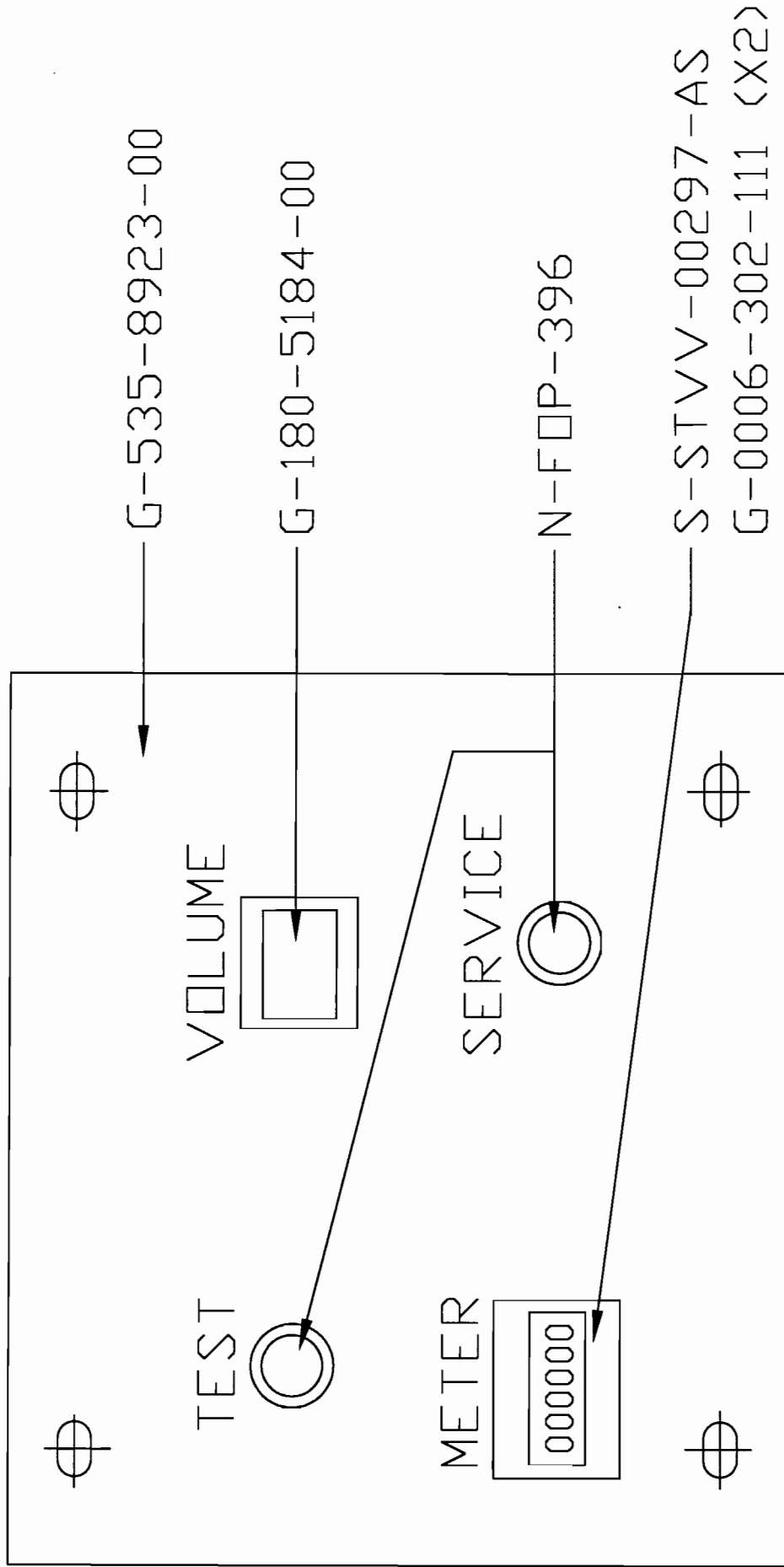
11.3 CABINET WIRING

CABINET WIRING DIAGRAM



SMASHING DRIVE
CABINET WIRING DIAGRAM
RISPOLVANT/RECAP
M. MENNERA, ECH
ITALY - RAVENNA - S. GIOSE BIELLA 3 17

A=22awg
B=20awg
C=18awg
D=14awg



NOTE:

MOUNTING SCREWS

#237-5975-01 (TYP.4)

#8-32x1/2 HWH SWAGE

NOTE:

SERVICE PANEL CABLE

N-036-5468-04 QTY. (1)

WARRANTY

Seller warrants that its printed circuit boards and parts thereon are free from defects in materials and workmanship under normal use and service for a period of ninety (90) days from the date of shipment. Seller warrants that its video displays (in games supplied with video displays) are free from defects in material and workmanship under normal use and service for a period of thirty (30) days from the date of shipment. None of the Seller's other products or parts thereof are warranted. Seller's sole liability shall be, at its option, to repair, replace, or credit Buyer's account for such products which are returned to Seller during said warranty period, provided:

- a) Seller is promptly notified in writing upon discovery by Buyer that said products are defective.
- b) Such products are returned prepaid to Seller's plant; and
- c) Seller's examination of said products discloses to Seller's satisfaction that such alleged defects existed and were not caused by accident, misuse, neglect, alteration, improper repair, improper installation, or improper testing.

In no event shall Seller be liable for loss of profits, loss of use, incidental or consequential damages.

Except for any express warranty set forth in a written contract between Seller and Buyer which contract supersedes the terms herein, this warranty is in lieu of all other warranties expressed or implied, including the implied warranties of merchantability and fitness for a particular purpose, and all other obligations or liabilities on the Seller's part, and it neither assumes nor authorizes any other person to assume for the Seller any other liabilities in connection with the sale of products by Seller.

Namco America Inc. distributors are independent, being privately owned and operated. In their judgment they may sell parts or accessories other than **Namco America Inc.** parts or accessories. **Namco America Inc.** cannot be responsible for the quality, suitability or safety of any non-**Namco America Inc.** part or any modification including labor which is performed by such distributor.

SERVICE

If you have questions regarding any **Namco America Inc.** product or require technical support:

Contact **Namco America Inc.** Customer Service at:

(408) 383-3973 or FAX (408) 436-9554

Hours: 7:00 am - 4:00 pm PDT

Parts and repair services for **Namco America Inc.** products are available through your distributor.

namcoAmerica Inc.

2055 Junction Ave.

San Jose, CA 95131

(408) 383-3900

FAX: (408) 383-0128

Technical Assistance (USA)

(408) 383-3973

Fax: (408) 436-9554

Reorder number: SM45-09852-00

Rev A.

RELEASED March 2001

The specifications of this machine and the instructions in this Operation Manual are subject to change without notice for enhancement.