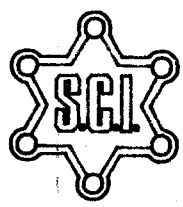
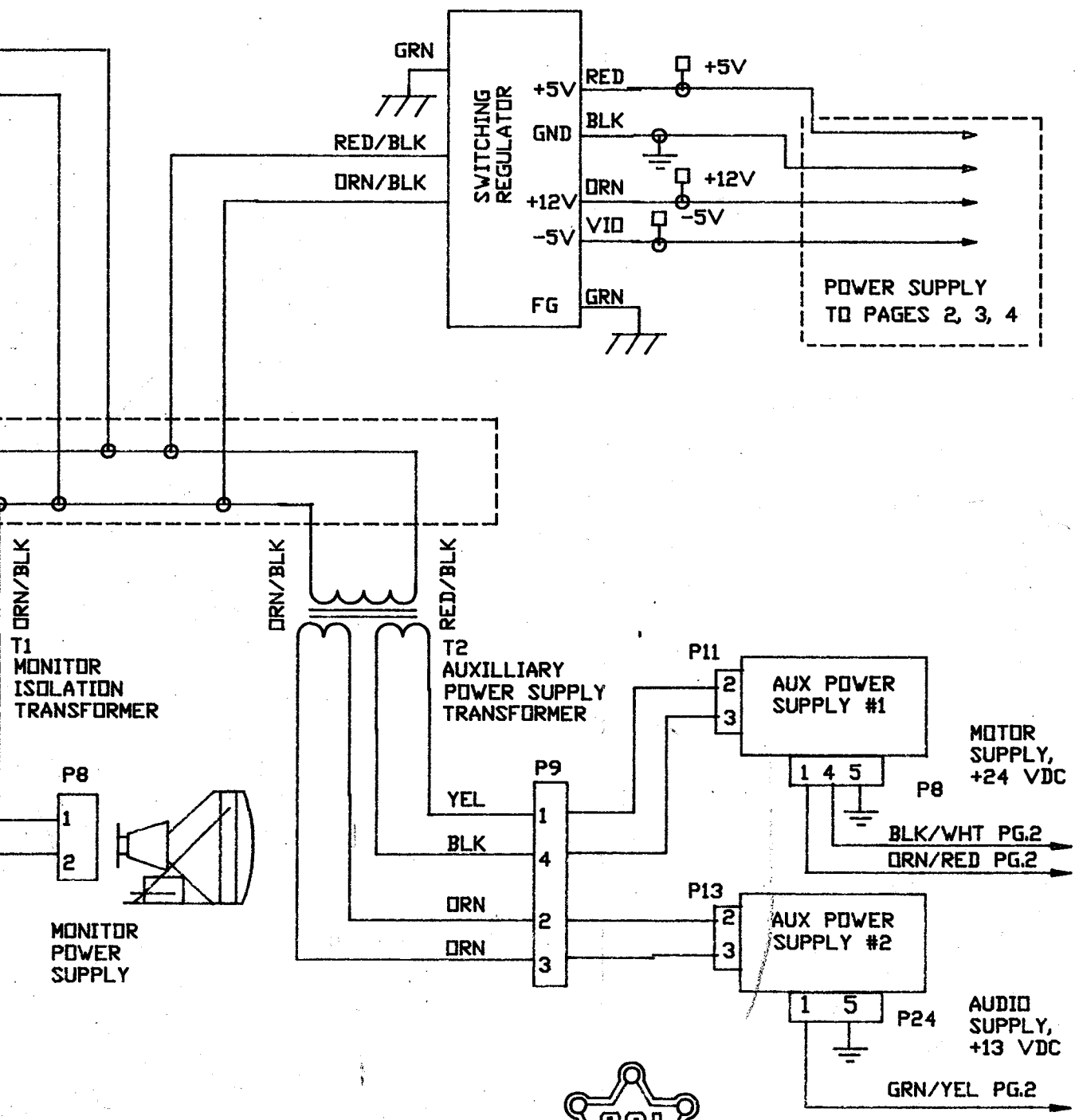


1 of 4



**TAITO**

|                 |  |                                   |  |
|-----------------|--|-----------------------------------|--|
| DRAWN BY: DUFFY |  | DATE: 11/22/89                    |  |
| REVISION:       |  | DRAWING NUMBER:<br>TAIT04, 1 OF 4 |  |

PC BOARD EDGE CONNECTOR  
P4

CPU BOARD

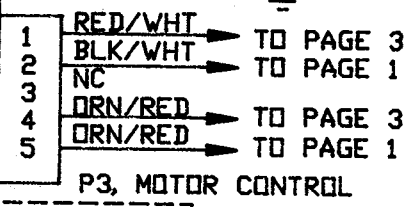
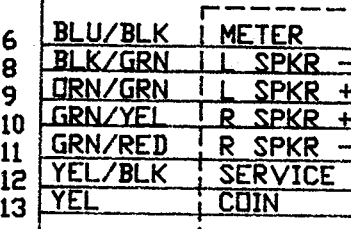
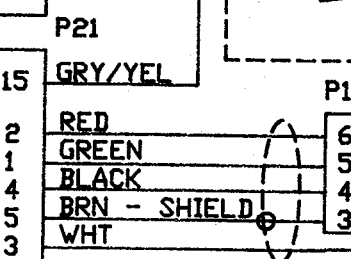
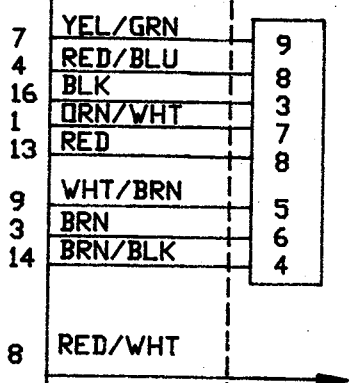
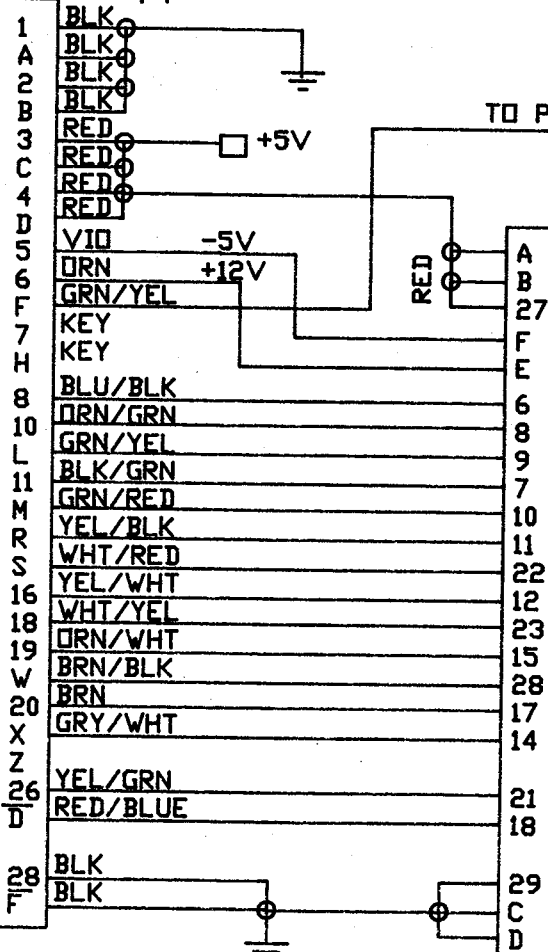
VIDEO BOARD

TO PAGE 1 - AUDIO VCC

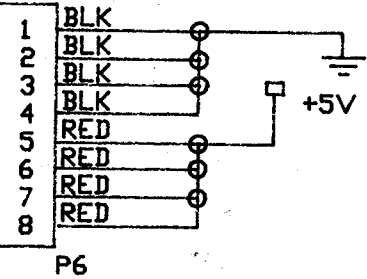
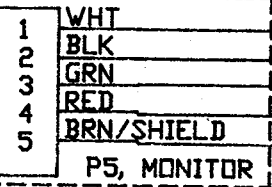
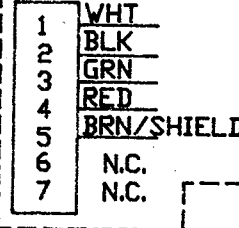
RFI FILTER BOARD

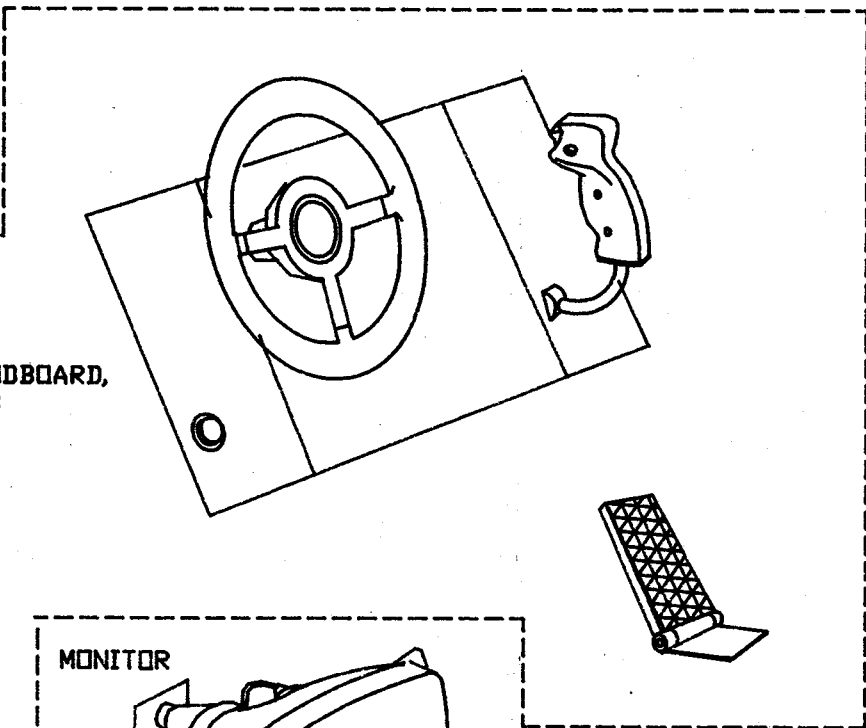
P20

P18



ALTERNATE MONITOR CABLE CONNECTOR

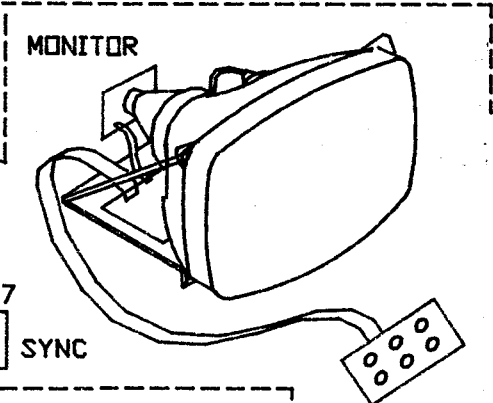




P18

- 9
- 8
- 3
- 7
- 8
- 5
- 6
- 4

TO HANDBOARD,  
PAGE 3



MONITOR

P16

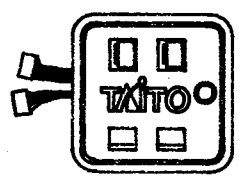
- 6 RED
- 5 GREEN
- 4 BLUE
- 3 GND.

P17

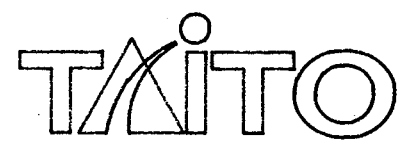
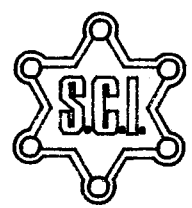
1 SYNC

REMOTE MONITOR ADJUST BOARD,  
INSIDE, RIGHT WALL

- METER
- SPKR -
- SPKR +
- R SPKR +
- R SPKR -
- SERVICE
- COIN

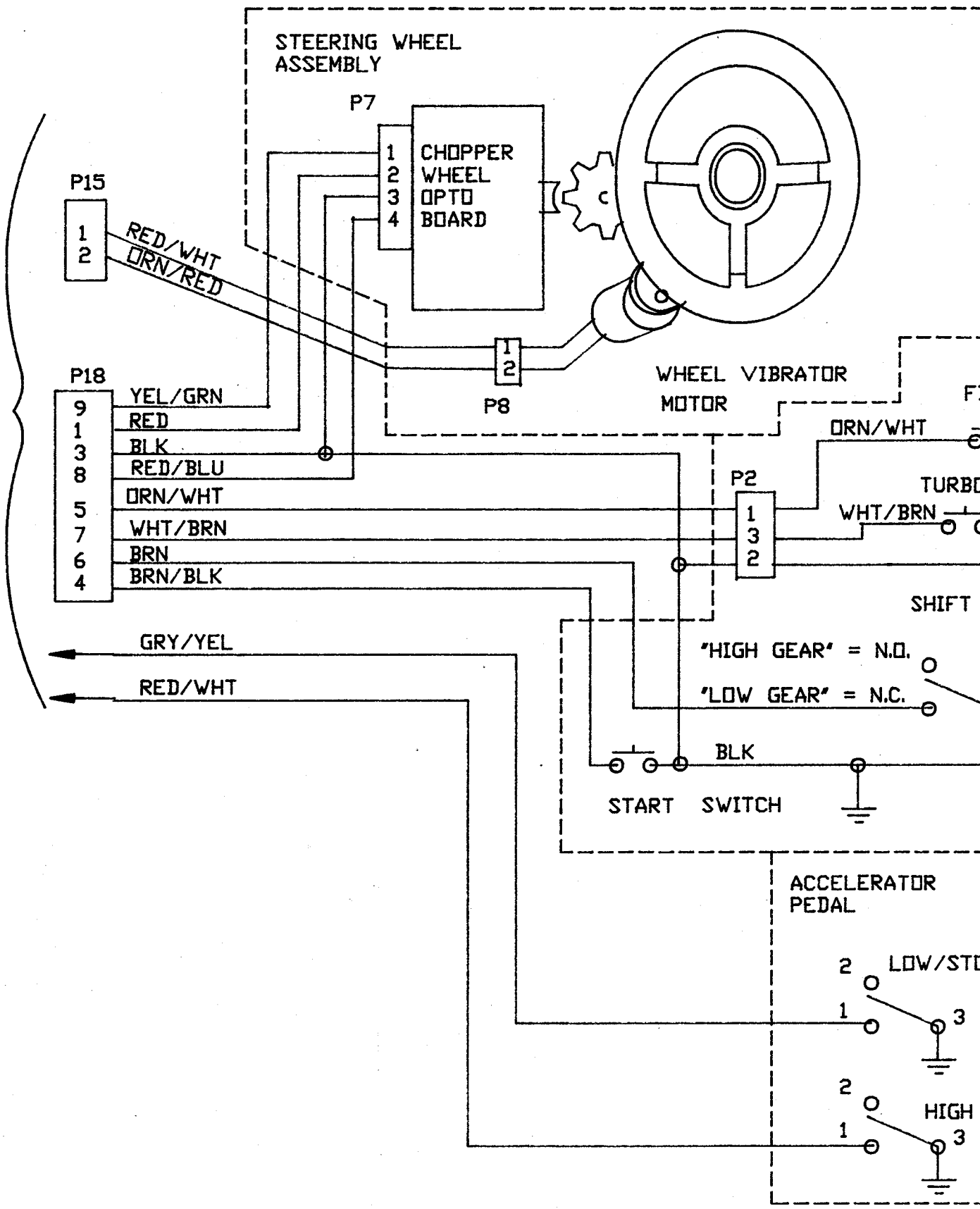


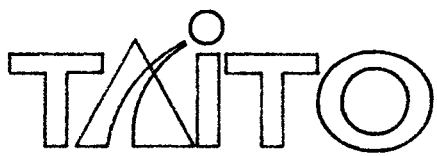
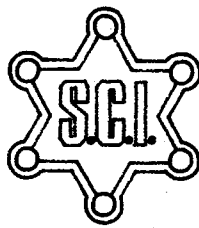
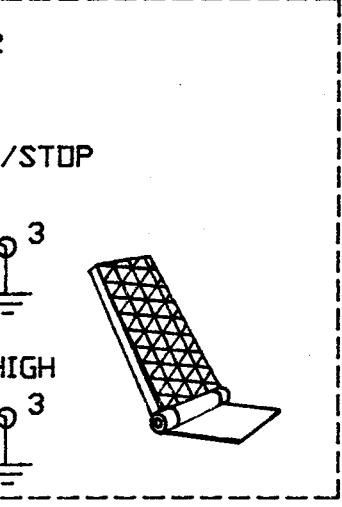
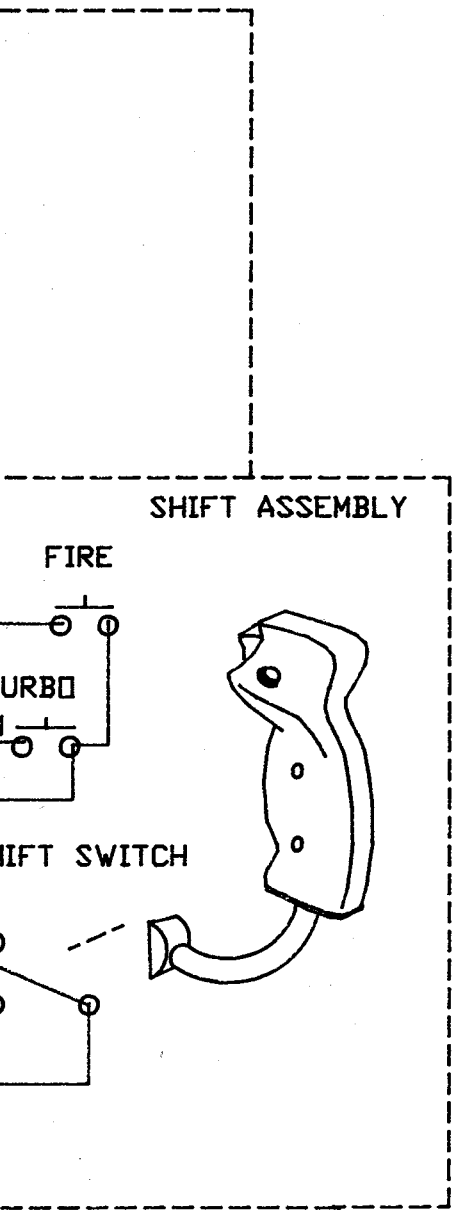
TO COIN DOOR,  
PAGE 4



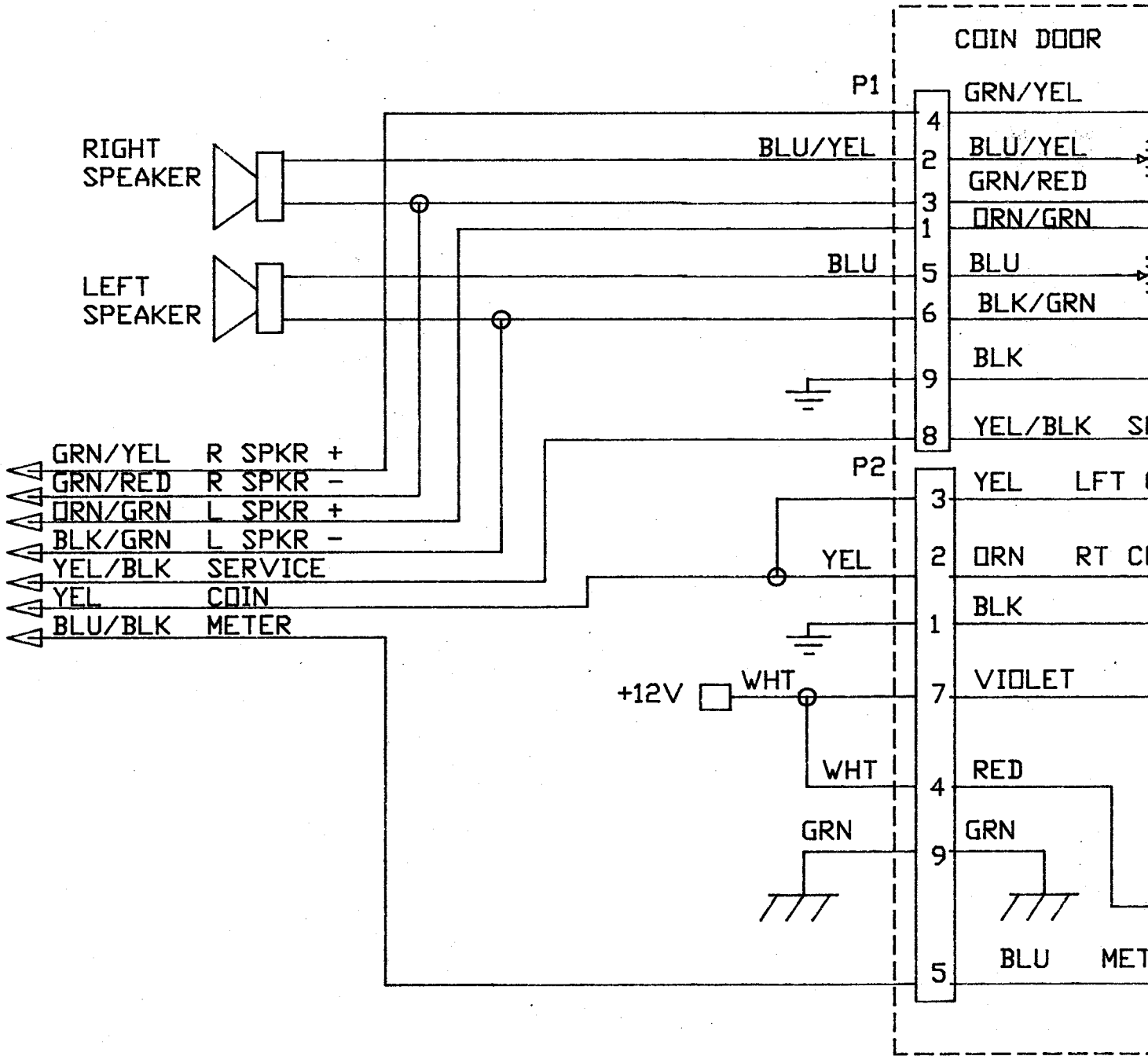
|                 |  |                                   |  |
|-----------------|--|-----------------------------------|--|
| DRAWN BY: DUFFY |  | DATE: 11/22/88                    |  |
| REVISION:       |  | DRAWING NUMBER:<br>TAIT04, 2 OF 4 |  |

TO PAGE 2

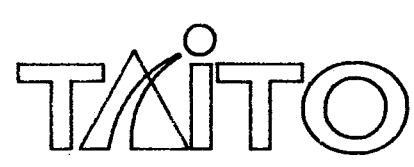
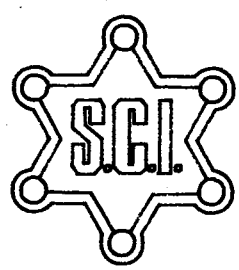
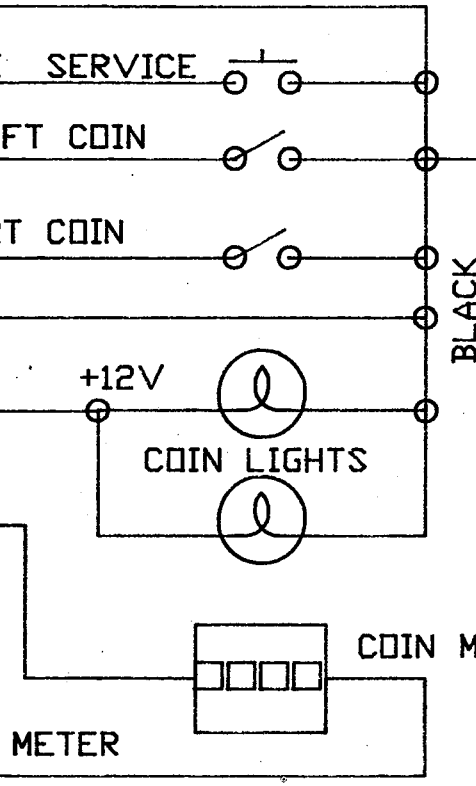
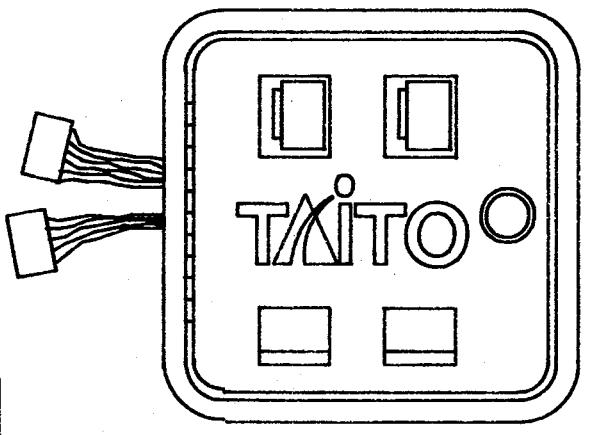
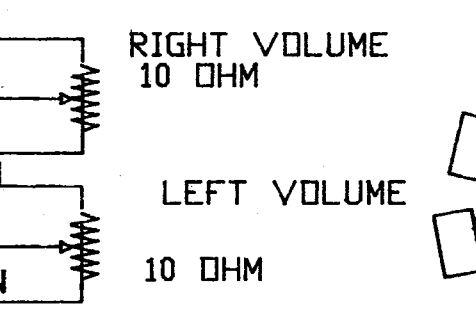




|                 |                                   |
|-----------------|-----------------------------------|
| DRAWN BY: DUFFY | DATE: 11/22/89                    |
| REVISION:       | DRAWING NUMBER:<br>TAIT04, 3 OF 4 |



R



|                 |                                   |
|-----------------|-----------------------------------|
| DRAWN BY: DUFFY | DATE: 11/22/89                    |
| REVISION:       | DRAWING NUMBER:<br>TAIT04, 4 OF 4 |



**WARNING—  
CONNECTOR LOCATIONS**

