

JALECO

St. Dragon™

INSTRUCTION MANUAL

St. Dragon™ is a horizontal conversion kit

St. Dragon™ is a trademark of Jaleco USA Inc.
©1989 Jaleco Ltd.

St. Dragon™ is a one player horizontal video game.

A list of components and instructions are provided with this kit for your ease of installation. Using your existing cabinet and monitor, your finished product should look and play like a new game.

Jaleco, USA

KIT CONTENTS

Qty.	Description	Part #
1	PCB, St. Dragon™	1501
1	8-Way Rotary Joystick	1522
2	Red Pushbutton Assemblies	1523
2	White Pushbutton Assemblies	1524
1	Wiring Harness	1525
1	PCB Cage (FCC required)	1526
1	St. Dragon™ Marquee	1502
2	Side Panel Graphics (Left & Right)	1506
1	Control Panel Overlay	1529
1	CRT Bezel Overlay	1503
4	Pushbutton ID Tags	1504
1	Instruction Manual	1505

SPECIFIC REQUIREMENTS

Monitor — Horizontal, Negative Composite
Sync Input

Power Supply — +5 VDC @ 7 Amp
+12 VDC @ 1 Amp

- Apply the overlay to the control panel, making sure no air bubbles are present. Next, use button ID tags to correctly identify the push buttons. Replace joystick and buttons and return control panel to game.

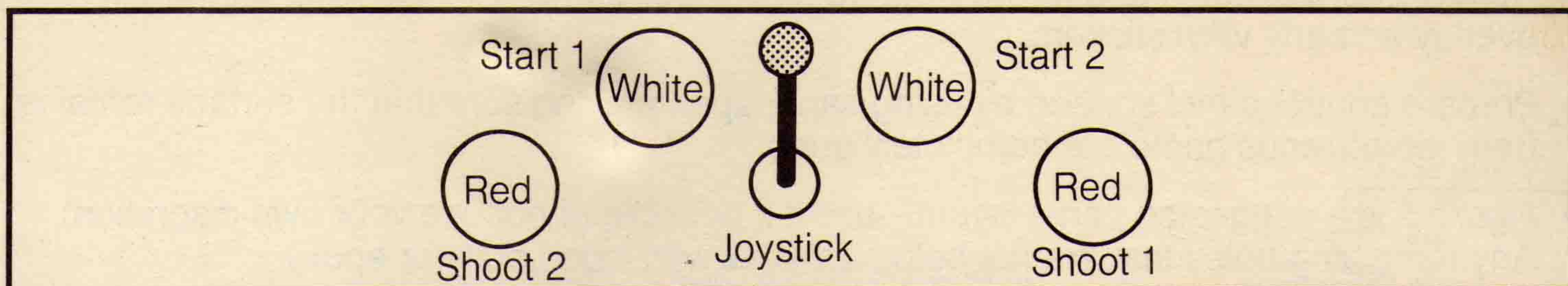


Fig. 1

Control Panel Layout

WIRING PROCEDURE

- St. Dragon™ utilizes a standard JAMMA edge connector and should function in any cabinet with a JAMMA harness and horizontal monitor with a few changes to the existing wiring. Refer to wiring diagram for proper connections.
- To rewire the cabinet, disconnect the old wiring harness from the PCB. Remove the PCB.

INSTALLATION INSTRUCTIONS

Cabinet

- Remove all graphics from pre-existing game. Inspect cabinet for any gouges or chips. Fill in as required with wood putty. Wipe cabinet clean and repaint if necessary.
- Apply the side graphics, using a straight edge as a guide line. Apply the decals to each side of the cabinet.
- Using the old marquee from the previous game, place it on top of the new one. Mark to proper size, making sure that the title "St. Dragon™" is not excluded. Proceed to cut the plexi using either a scribe or a curcular saw with a fine tooth blade. Beofe installing the marquee replace all burned out bulbs.

INSTALLATION INSTRUCTIONS (Continued)

Control Panel

- Remove control panel and remove old buttons, joysticks, and wiring. Strip off the old overlay and any vinyl stickers.
- Prepare control panel surface by using sandpaper, making sure that the surface remains from the previous game are completely gone.
- *Figure 1* is a suggested panel layout—use it if possible (if not use your own discretion). Any remaining holes that are not being used, fill with wood putty or epoxy.
- Carefully note the function of each wire. Label all wires to avoid confusion.
- Leaving several inches of wire from the old wiring harness at each connector, cut the wires near the game's coin door, monitor, control panel, speaker and power supply. DO NOT cut the other side of these wires at the PCB end.
- Using the new harness, solder wires to the coin door, monitor, control panel, speaker and power supply. Be sure to use electrical tape or heat shrink tubing on all connections.

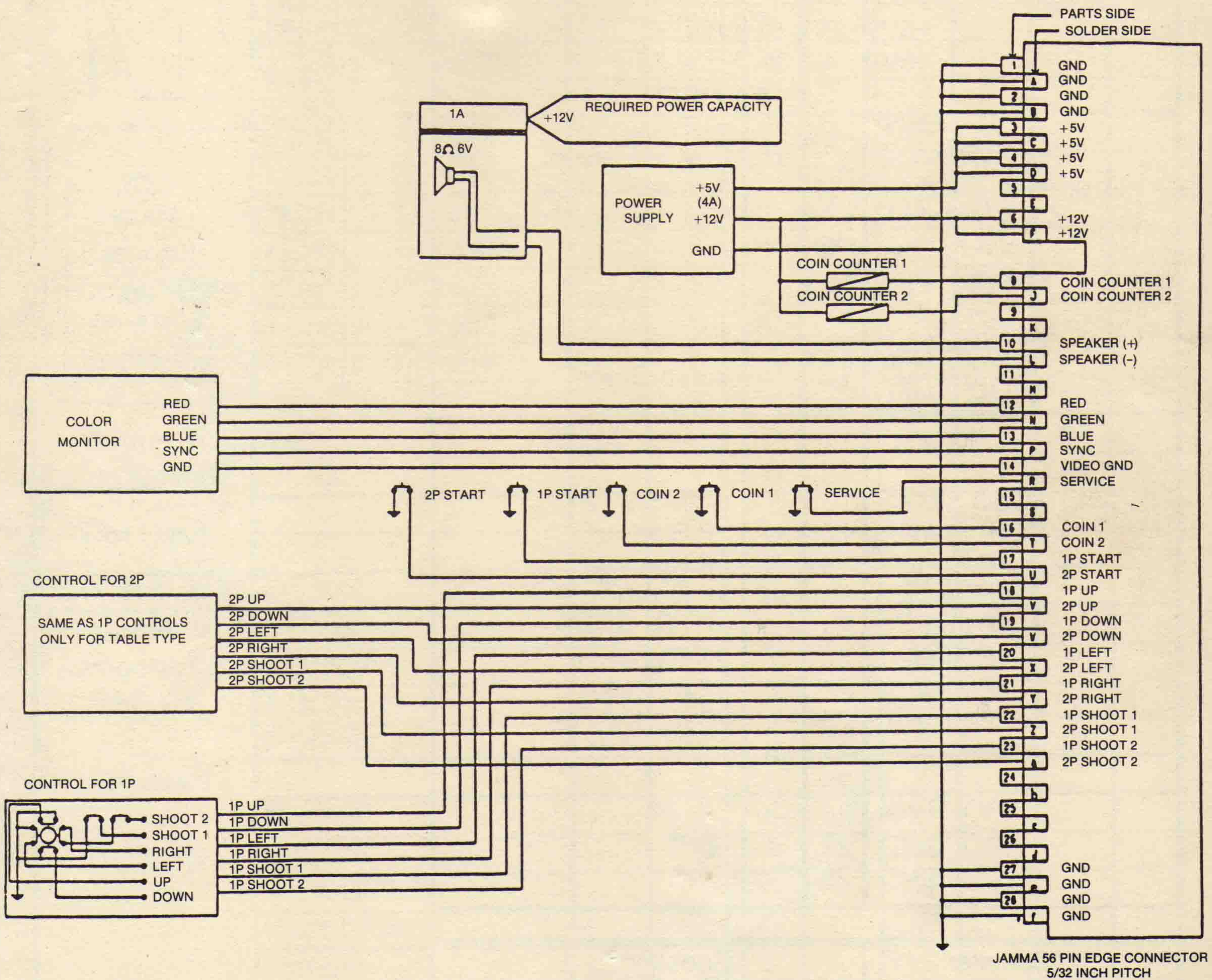
SERVICE INFORMATION

To obtain replacement parts contact your distributor.

For technical service contact Jaleco's customer service department during the hours of 9 AM - 5 PM Central Time at (312) 647-7077.

Thank you for your purchase of a Jaleco USA Inc. *St. Dragon*[™]

St. Dragon™ Wiring Diagram

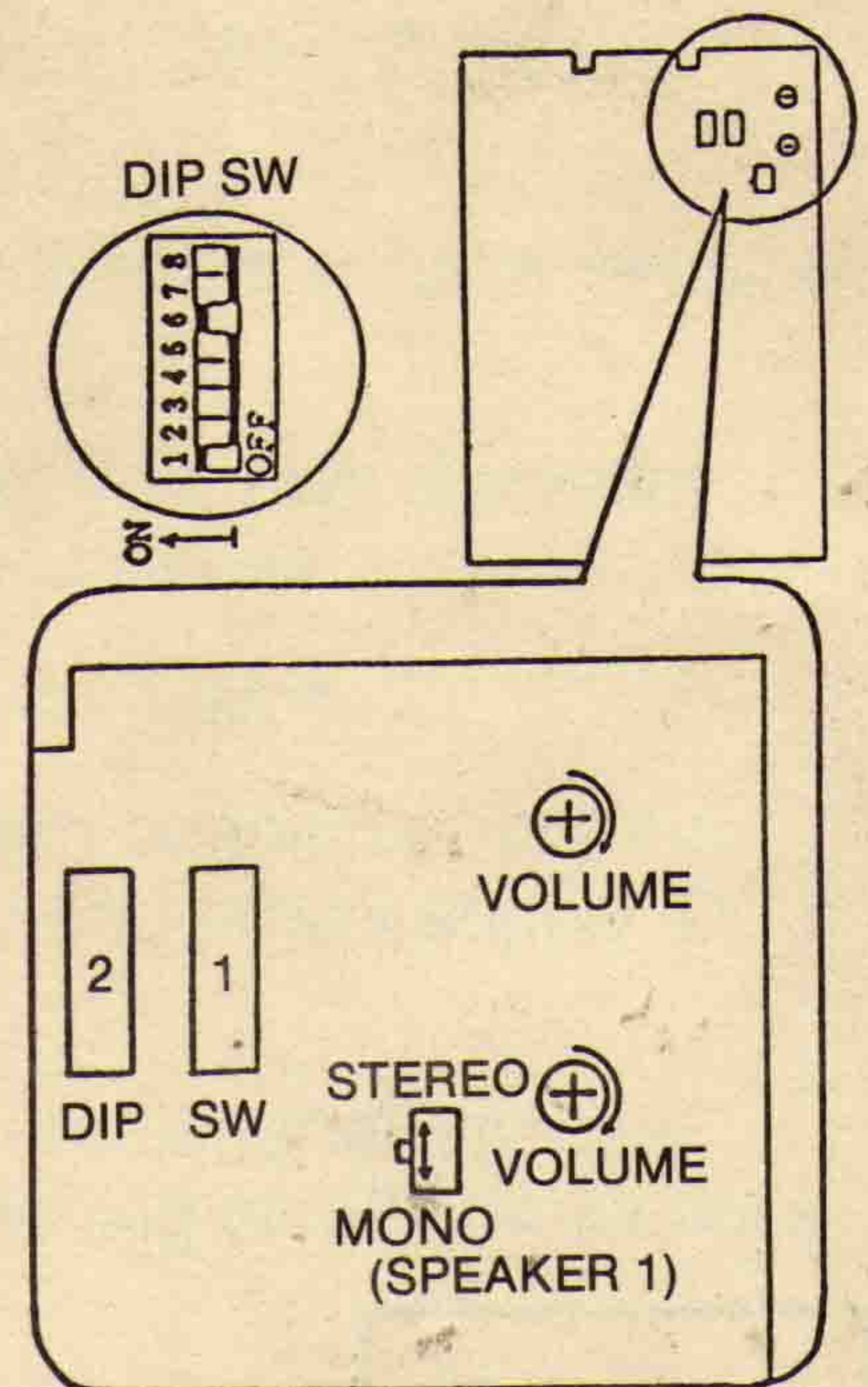


St. Dragon™ Wiring Diagram

Edge Connector Diagram (Edge Connector of Jamma Specs.)

Component Side		Solder Side	
GND	1	A	GND
GND	2	B	GND
Headphone L&R (-)			
+5V	3	C	+5V
+5V	4	D	+5V
	5	E	
+12V	6	F	+12V
Key To Prevent Erroneous Insertion	7	H	Key To Prevent Erroneous Insertion
Coin Meter #1	8	J	Coin Meter #2
	9	K	
Speaker 1 (+)	10	L	Speaker 1 (-)
	11	M	
Video Red	12	N	Video Green
Video Blue	13	P	Video Sync
Video GND	14	R	Service Switch
	15	S	
Coin SW #1	16	T	Coin SW #2
1P Start	17	U	2P Start
1P Up	18	V	2P Up
1P Down	19	W	2P Down
1P Left	20	X	2P Left
1P Right	21	Y	2P Right
1P Push 1	22	Z	2P Push 1
1P Push 2	23	a	2P Push 2
	24	b	
	25	c	
	26	d	
GND	27	e	GND
GND	28	f	GND

Speaker 2 (+)	1	2	Speaker 2 (-)
Headphone R (+)			



USER INFORMATION

WARNING

F.C.C. REGULATION COMPLIANCE

THIS KIT IS INTENDED FOR USE ONLY ON COIN-OPERATED VIDEO GAMES MANUFACTURED AFTER OCTOBER 1, 1983 WHICH HAVE BEEN VERIFIED FOR COMPLIANCE WITH REQUIREMENTS IN PART 15 OF F.C.C. RULES FOR A CLASS A COMPUTING DEVICE.

IMPROPER CONNECTION OF THIS KIT OR CONNECTION TO ANY OTHER GAME NOT SO MANUFACTURED OR VERIFIED FOR COMPLIANCE MAY CAUSE UNACCEPTABLE INTERFERENCE TO RADIO AND T.V. RECEPTION, REQUIRING THE OPERATOR TO TAKE WHATEVER STEPS ARE NECESSARY TO CORRECT THE INTERFERENCE.

THE P.C. BOARD CAGE SUPPLIED WITH THIS CONVERSION KIT MUST BE UTILIZED AND TERMINATED TO GROUND AT THE TIME OF INSTALLATION.

JALECO



5617 W. Howard St.
Niles, IL 60648

TEL: (312) 647-7077 FAX (312) 647-7087