

PARTS CATALOG



TAITO



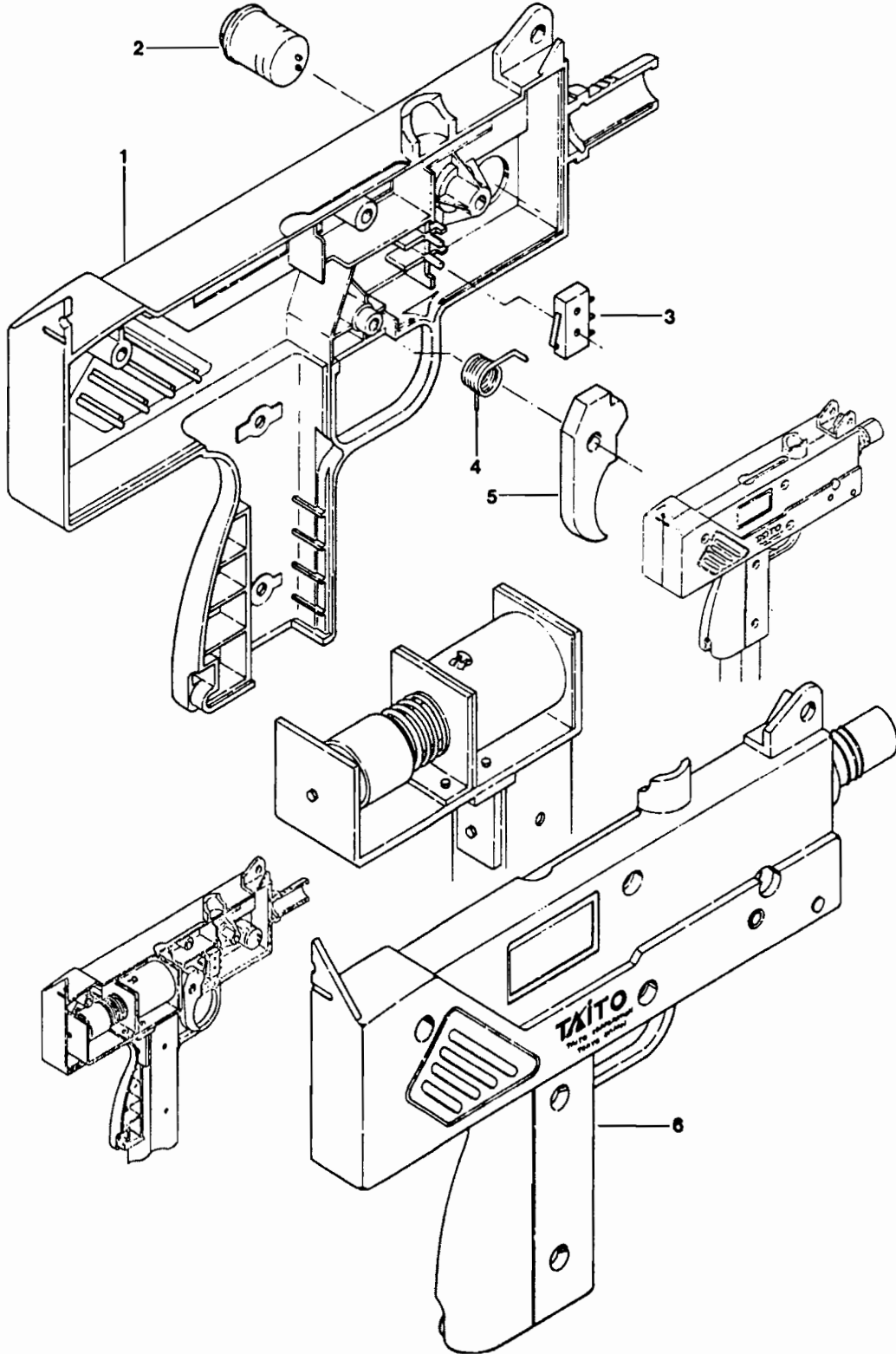
TAITO AMERICA CORPORATION
660 S. Wheeling Road
Wheeling, IL 60090
Telephone (312) 520-9280
Fax (312) 520-1309

TABLE OF CONTENTS

	PAGE
OPERATION THUNDER BOLT™	1 - 8
CHASE HQ™	9 - 16
Continental Circuit™	17 - 19
SUPERMAN™	20
OPERATION WOLF™	21 - 30
V' BALL	31

OPERATION THUNDER BOLT™

● GUN ASSY



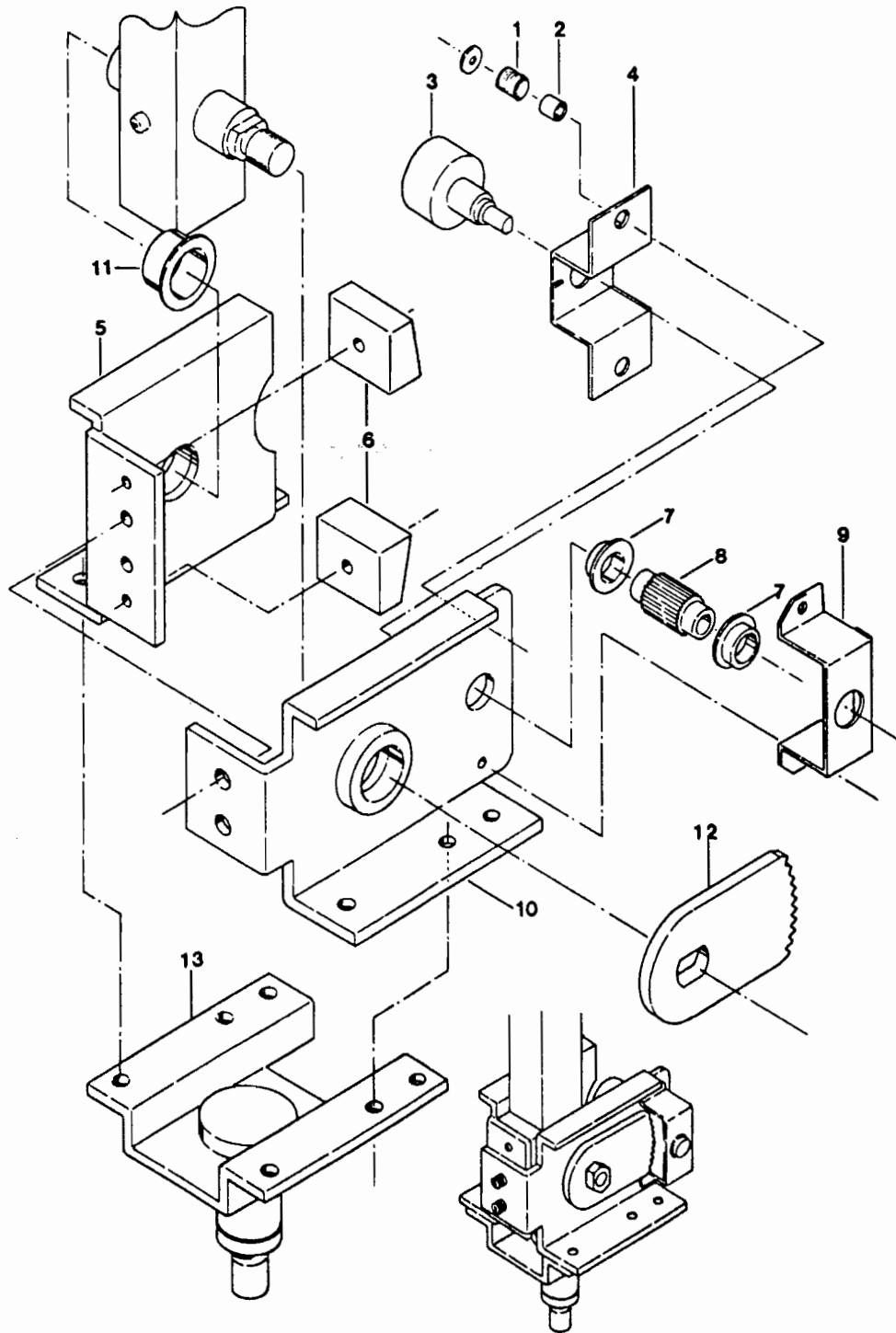
OPERATION THUNDER BOLT™

OPERATION THUNDERBOLT - GUN PARTS LIST
GUN ASSEMBLY - PART NO. 140-913000

KEYNO	DESCRIP	REFNO	PARTNO
1	GUN COVER (A)	F9001793	140-913040
2	PSH BUTTON SWITCH	C0200279	140-913044
3	MICRO SWITCH SS-59L2	CO200183	140-913043
4	TRIGGER SPRING	E4000274	140-913041
5	TRIGGER	F9001795	140-913042
6	GUN COVER (B)	F9001794	140-913045

OPERATION THUNDER BOLT™

● GUN ASSY



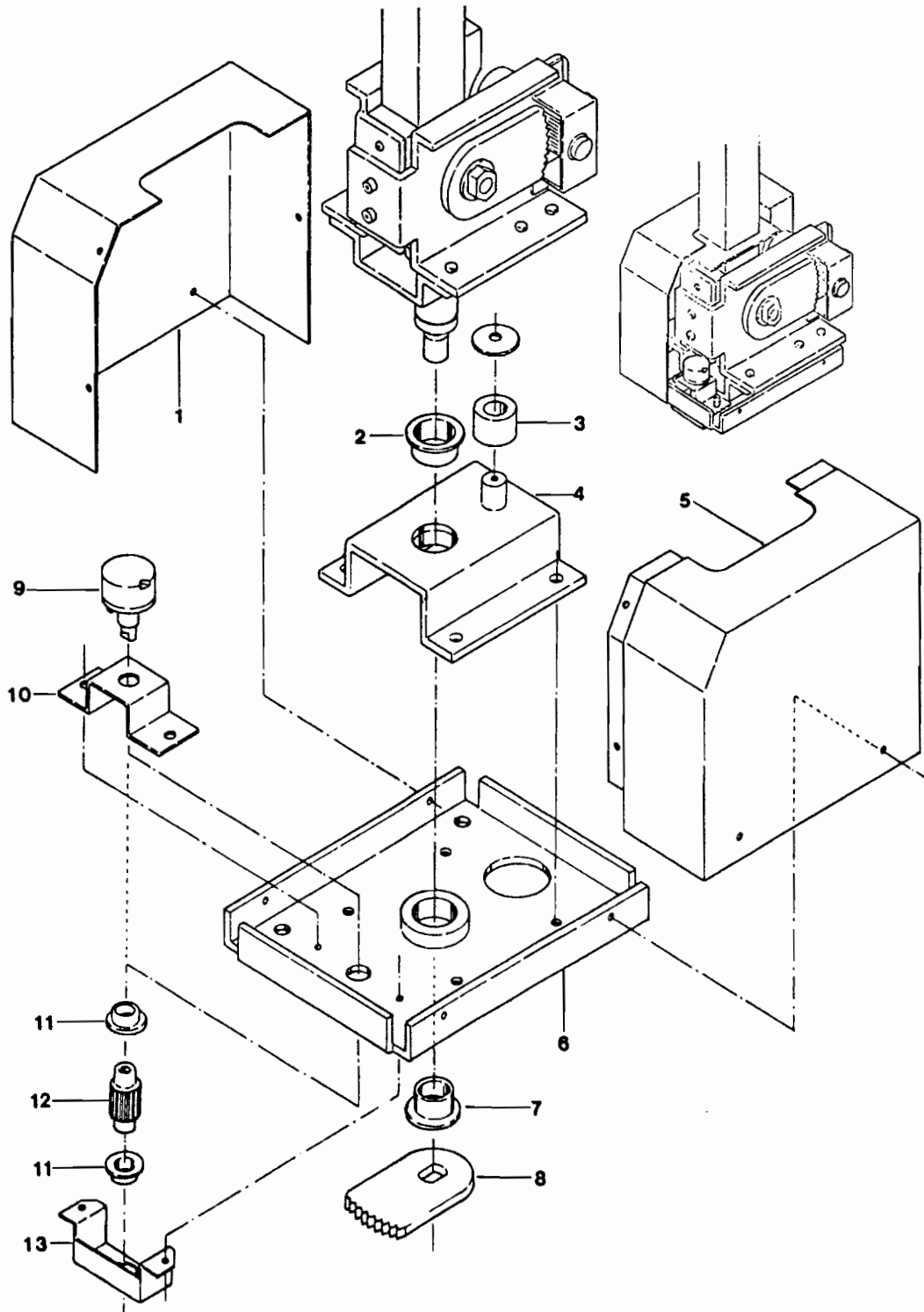
OPERATION THUNDER BOLT™

OPERATION THUNDERBOLT - GUN PARTS LIST GUN ASSEMBLY - PART NO. 140-913000

KEYNO	DESCRIP	REFNO	PARTNO
1	TENSION SPRING	E4000275	140-913011
2	SPACER - 5L	E1000881	140-913036
3	VARIABLE RESISTOR PSET KNOB	A2102515	140-913013
4	VOLUME BRACKET	E3006165	140-913012
5	SIDE BRACKET (L)	E9000316	140-913028
6	STOPPER RUBBER A	F9001790	140-913029
7	OILES FLANGE BUSH 8 OF 0905	F9001798	140-913008
8	GEAR - B	E7000133	140-913009
9	GEAR BRACKET	E3006164	140-913033
10	SIDE BRACKET R	E9000317	140-913031
11	OILES FLANGE BUSH 8 OF 1510	F9001797	140-913001
12	GEAR - A	E7000132	140-913005
13	SHAFT BRACKET	E9000318	140-913004

OPERATION THUNDER BOLT™

● GUN ASSY



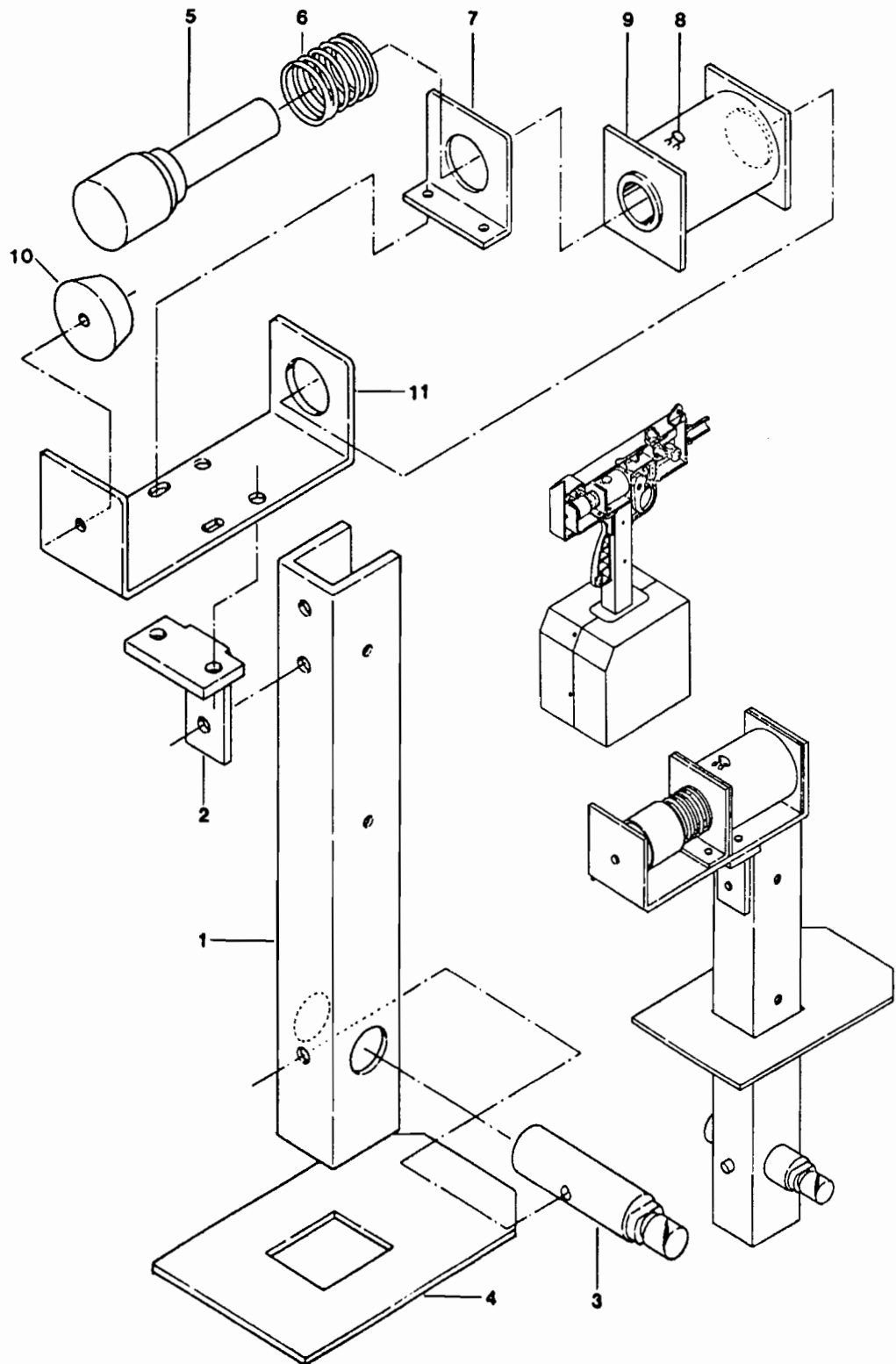
OPERATION THUNDER BOLT™

OPERATION THUNDERBOLT - GUN PARTS LIST GUN ASSEMBLY - PART NO. 140-913000

KEYNO	DESCRIP	REFNO	PARTNO
1	SIDE COVER (R)	E3006166	140-913046
2	OILES FLANGE BUSH 8 OF 1810	F9001799	140-913017
3	STOPPER RUBBER (B)	F9001791	140-913015
4	UP BASE	E9000319	140-913014
5	L-BRACKET	E3006169	140-913020
6	UNDERBASE	E9000320	140-913006
7	OILES FLANGE BUSH 8 OF 1810	F9001799	140-913017
8	GEAR - A	E7000132	140-913005
9	VARIABLE RESISTOR PSET KNOB	A2102515	140-913013
10	VOLUME BRACKET	E3006165	140-913034
11	OILES FLANGE BUSH 8 OF 0905	F9001798	140-913032
12	GEAR - B	E7000133	140-913009
13	GEAR BRACKET	E3006164	140-913007
	K HARNESS	L3000365	140-913038

OPERATION THUNDER BOLT™

● GUN ASSY



OPERATION THUNDER BOLT™

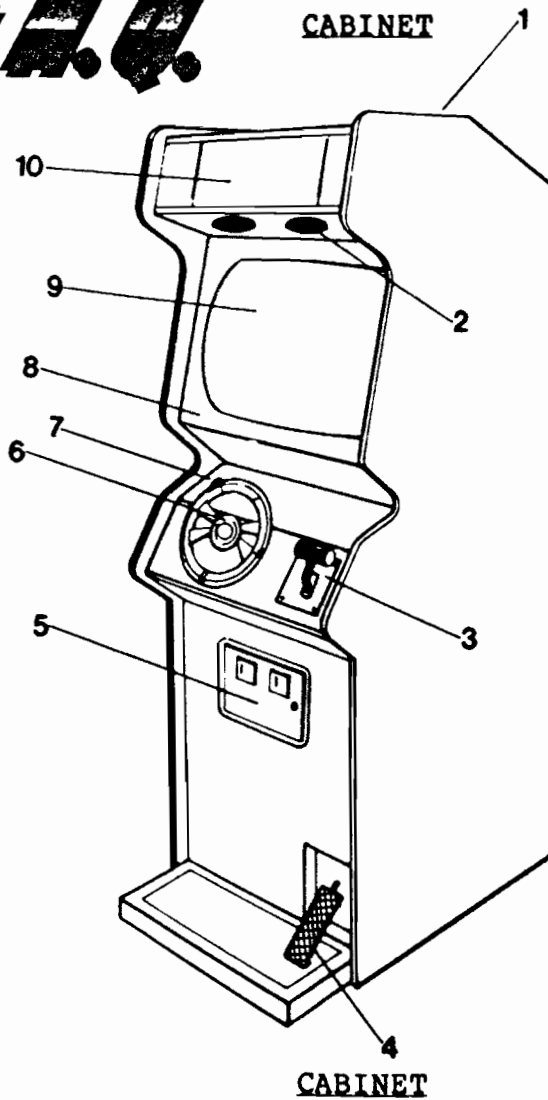
**OPERATION THUNDERBOLT - GUN PARTS LIST
GUN ASSEMBLY - PART NO. 140-913000**

KEYNO	DESCRIP	REFNO	PARTNO
1	ARM	E3006162	140-913025
2	SUPPORT BRACKET	E3006161	140-913024
3	SUB SHAFT	E1000880	140-913027
4	GUN MASK	F9001789	140-913026

SOLENOID ASSY - PART NO. 140-913200

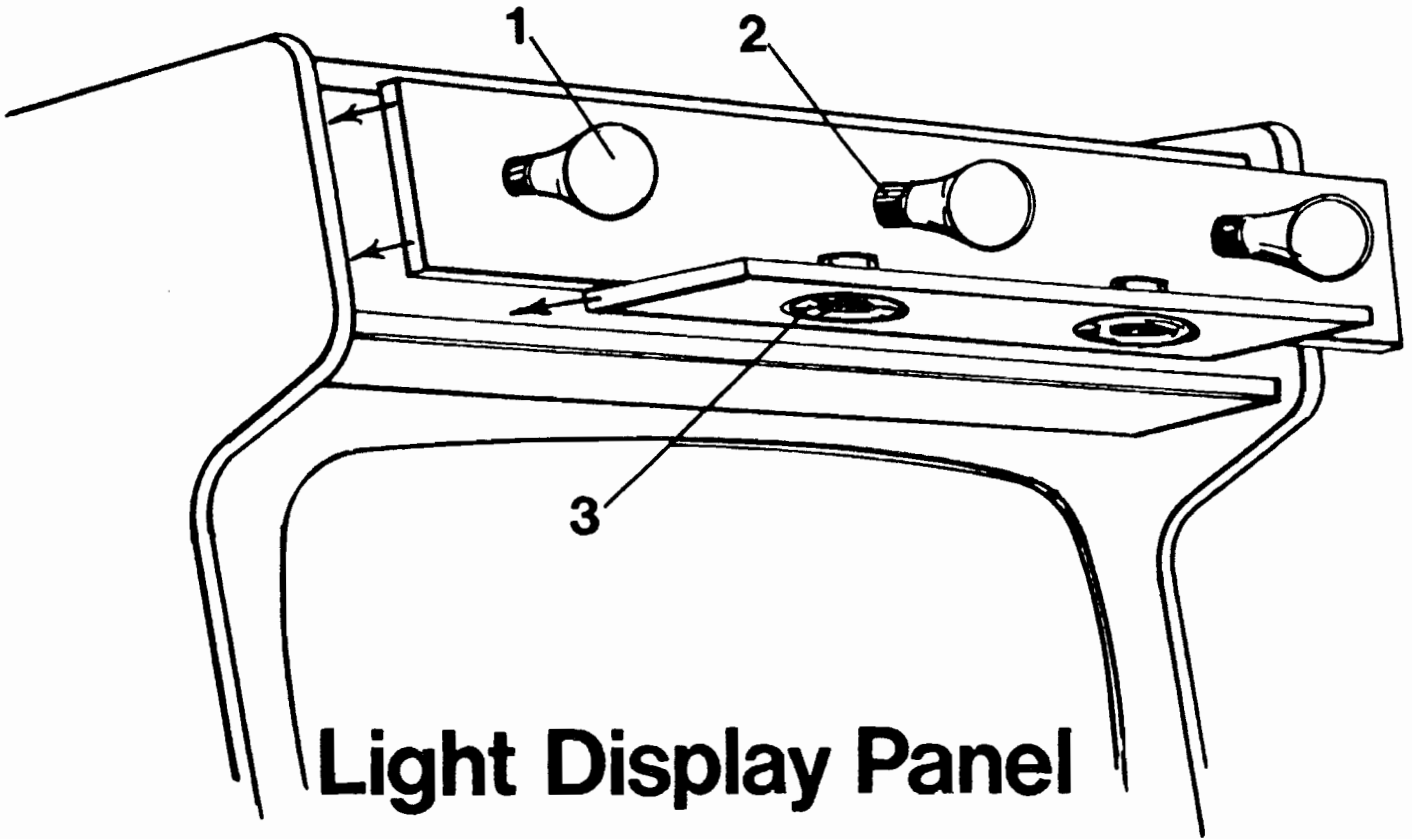
5	PLUNGER	E1000882	140-913022
6	BUTTON SPRING	E4000005	140-913021
7	L-BRACKET	E3006169	140-913020
8	DIODE 03C	A0200029	140-913037
9	SOLENOID	C1101225	140-913224
	BOBBIN	F9001786	140-913230
10	RUBBER LEG K-24	F3000024	140-913019
11	SOLENOID BRACKET	E3006168	140-913018

CHASE H.Q.™



KEY NO.	PART NO.	DESCRIPTION
1	900-806003	ON/OFF SWITCH
2	900-804002	4" SPEAKER
3	130-812000	HI-LO SHIFT LEVER
4	900-810000	GAS PEDAL
5	900-803001	COIN ACCEPTOR & CASHBOX ACCESS DOOR
6	130-807006	STEERING WHEEL
7	900-801018	START BUTTON
8	130-108002	MONITOR BEZEL (19 INCH MONITOR)
8	130-508002	MONITOR BEZEL (25 INCH MONITOR)
9	130-108003	MONITOR SCREEN VIEWING GLASS (19 INCH MONITOR)
9	130-508003	MONITOR SCREEN VIEWING GLASS (25 INCH MONITOR)
10	130-808001	MARQUEE

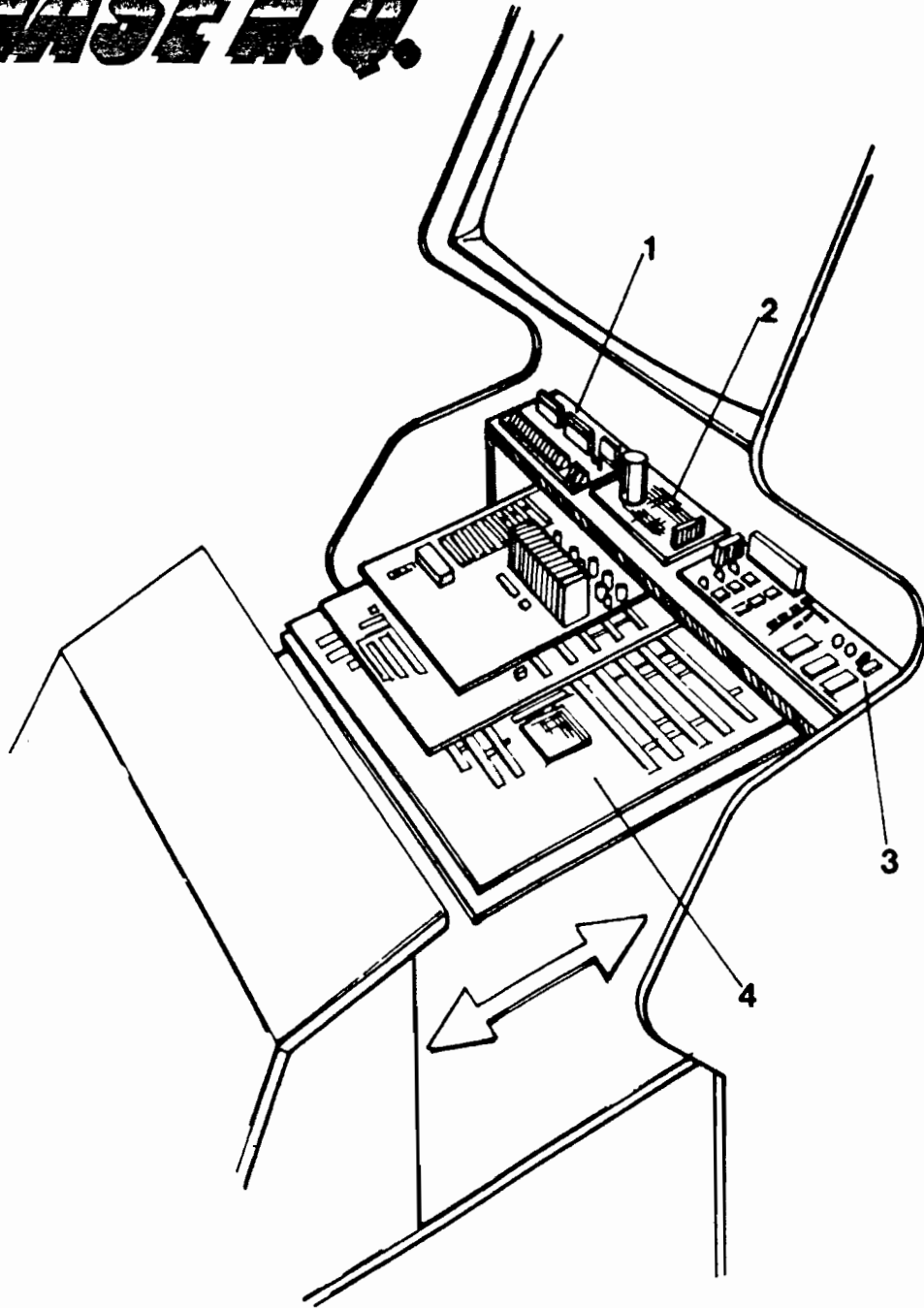
CHASE H.Q.™



Light Display Panel

KEY NO.	PART NO.	DESCRIPTION
1	900-804004	60 WATT BULB
2	900-804005	STANDARD LIGHT BULB SOCKET
3	900-804002	4" SPEAKER (WICO SPEAKER)

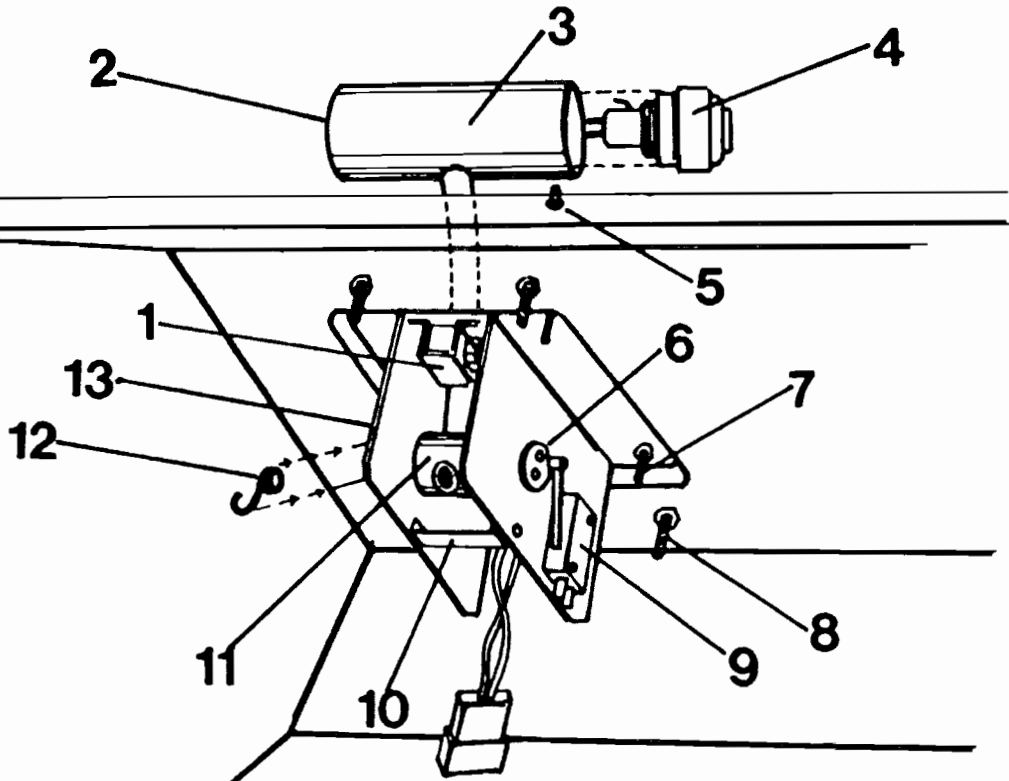
CHASE H.Q.™



Control Panel Drawer

KEY NO.	PART NO.	DESCRIPTION
1	900-802007	FILTER PCB
2	900-802002	AUXILARY POWER SUPPLY
3	130-802011	FLASHING DISPLAY PCB
4	130-398000	MAIN LOGIC P.C. BOARDS

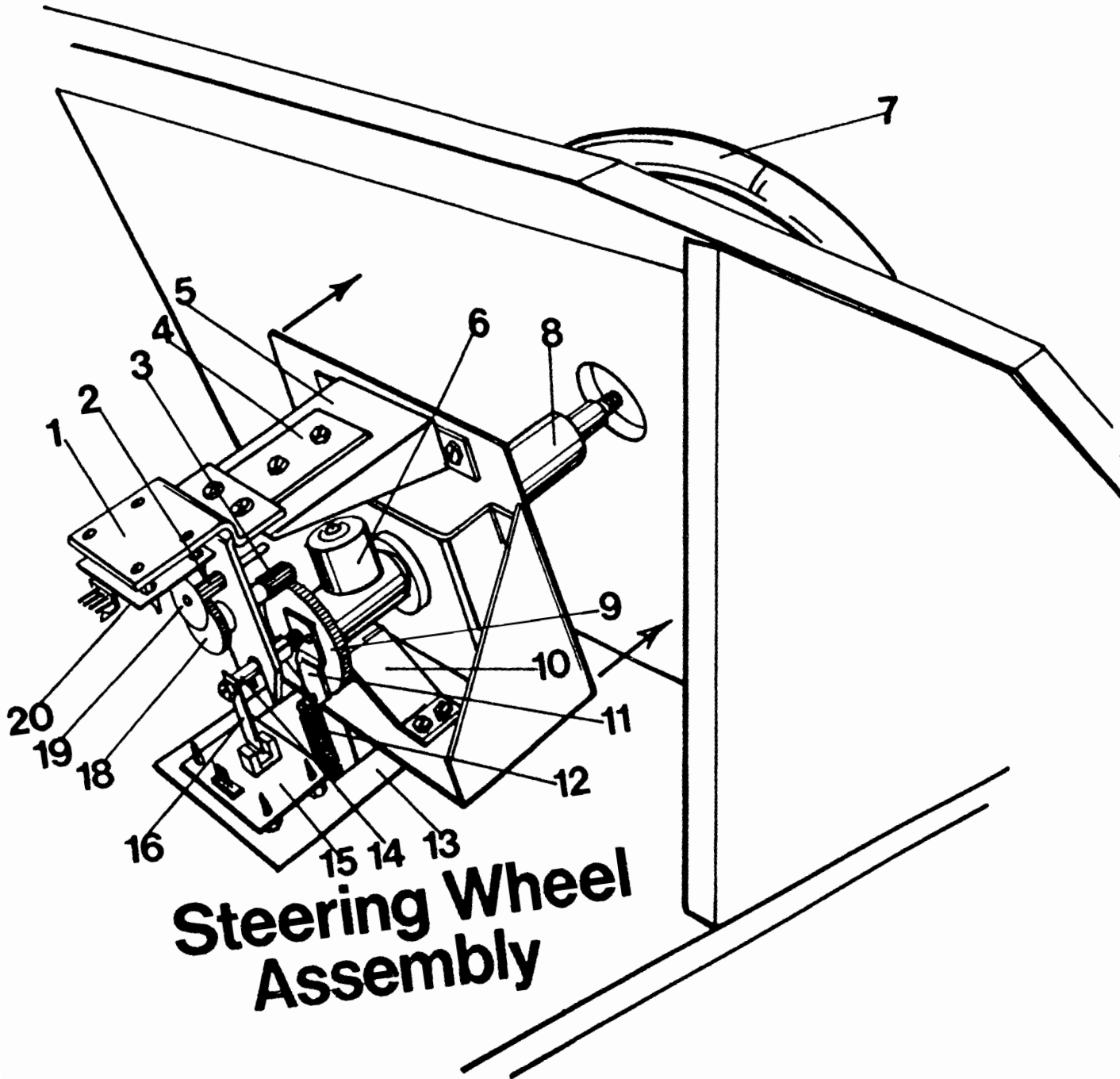
CHASE H.Q.™



HI-LO SHIFTER LEVER ASSEMBLY

KEY NO.	PART NO.	DESCRIPTION
1	130-912001	BUMPER MOUNTING BRACKET ASSEMBLY
2	130-912002	HOLE PLUG (MFG PT# 800-502-000)
3	130-912003	SHIFTER HANDLE (MFG PT# 800-503-000)
4	900-901012	PUSHBUTTON RED (MFG PT# 800-705-000)
5	900-912005	SCREW, 10-32 x 1/4" TAMPER RESISTANT
6	130-912004	SWITCH ACTUATOR CAM (MFG PT# 800-104-000)
7	900-912013	SCREW, 10-32 x 7/16" TAMPER RESISTANT W/HEX NUT
8	900-912006	CARRIAGE BOLT, 10-24 x 1 1/4" W/HEX NUT
9	130-912007	SNAP SWITCH (MFG PT# 800-706-000)
10	130-912008	TIE DOWN SUPPORT (MFG PT# 800-103-000)
11	130-912009	SHIFTER PIVOT HUB (MFG PT# 800-303-000)
12	130-912010	SHIFTER SPRING (MFG PT# 037-002-000)
13	130-912011	SHIFTER SIDE BRACKET (MFG PT# LFT A-800-107-000)
	130-912012	SHIFTER SIDE BRACKET (MFG PT# RHT A-800-108-000)

CHASE H.Q.™



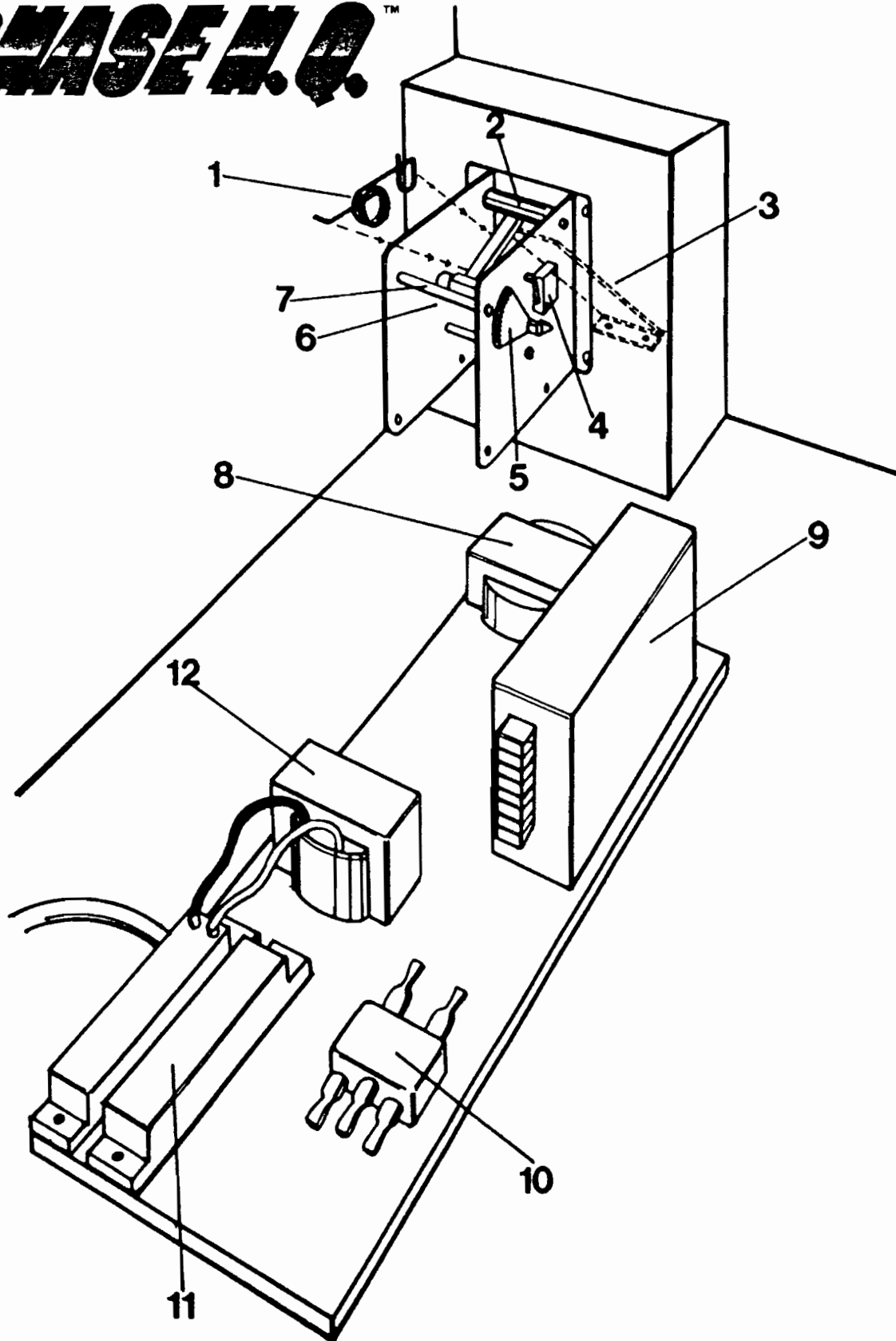
**Steering Wheel
Assembly**



STEERING WHEEL ASSEMBLY

KEY NO.	PART NO.	DESCRIPTION
ASSY	130-907000	COMPLETE STEERING WHEEL ASSEMBLY
1	130-907014	UPPER P.C.B. MTG. BRACKET (MFG PT# 100-124-000)
2	130-907015	PINION SHAFT (MFG PT# 100-302-000)
3	130-907016	PINION SHAFT (MFG PT# 100-302-000)
4	130-907017	GEAR MTG. BRACKET (MFG PT# 100-122-000)
5	130-907018	GEAR & OPTICS MTG. BRACKET (MFG PT# 100-123-000)
6	130-907019	BUMPER WITH SHAFT (MFG PT# 700-006-000)
7	130-907006	STEERING WHEEL (MFG PT# 059-325-000)
8	130-907020	STEERING MAIN SHAFT (MFG PT# 100-304-000)
9	130-907021	GEAR, 32-80 W/O HUB (MFG PT# 0071-014-100)
10	130-907022	STOP BRACKET (MFG PT# 100-127-000)
11	130-907023	SPRING MTG. PLATE (MFG PT# 100-153-000)
12	130-907003	CENTERING SPRING (MFG PT# 0037-001-000)
13	130-907024	LOWER PCB MTG. PLATE (MFG PT# 100-155-000)
14	130-907025	SENSOR MTG. PIN (MFG PT# 100-156)
15	130-907005	CENTER OPTIC SENSOR PCB (MFG PT# 700-051-000)
16	130-907026	ON CENTER FLAG STRIP (MFG PT# 100-130-000)
18	130-907002	GEAR, 32-36 (MFG PT# 0071-007-000)
19	130-912027	TRACK BALL DISC (MFG PT# 052-027-400)
20	130-907004	LEFT/RIGHT OPTIC SENSOR PCB (MFG PT# 700-05-000)

CHASE H.Q.™



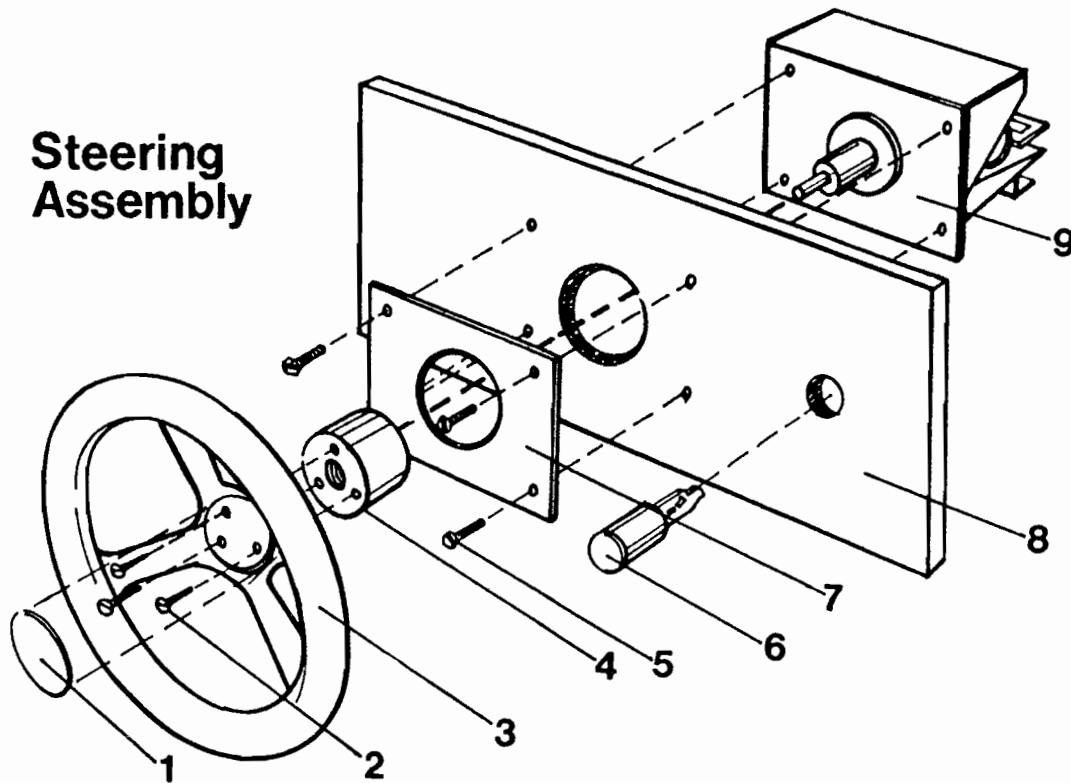
Power Chassis & Gas Pedal



POWER CHASSIS & GAS PEDAL

KEY NO.	PART NO.	DESCRIPTION
1	900-910002	SPRING (MFG PT# 50-8042-00)
2	900-910009	RUBBER STOPPER (MFG PT# 50-8017-00)
3	900-910004	PEDAL (MFG PT# 50-8019-00)
4	900-910005	MICRO-SWITCH F/PEDAL (MFG PT# 50-8018-00)
5	900-910006	ACTUATOR SWITCH (MFG PT# 50-8014-00)
6	900-910007	SIDE PLATE (MFG PT# 50-8013-00)
7	900-910008	CROSSBAR (MFG PT# 50-8015-00)
8	130-902005	ISOLATION TRANSFORMER
9	130-902011	POWER SUPPLY (MIN. RATING = 10 AMP, 55 WATTS)
10	130-901012	15 AMP AC LINE FILTER
11	130-902001	TERMINAL BLOCKS
12	130-902002	AUXILARY POWER TRANSFORMER

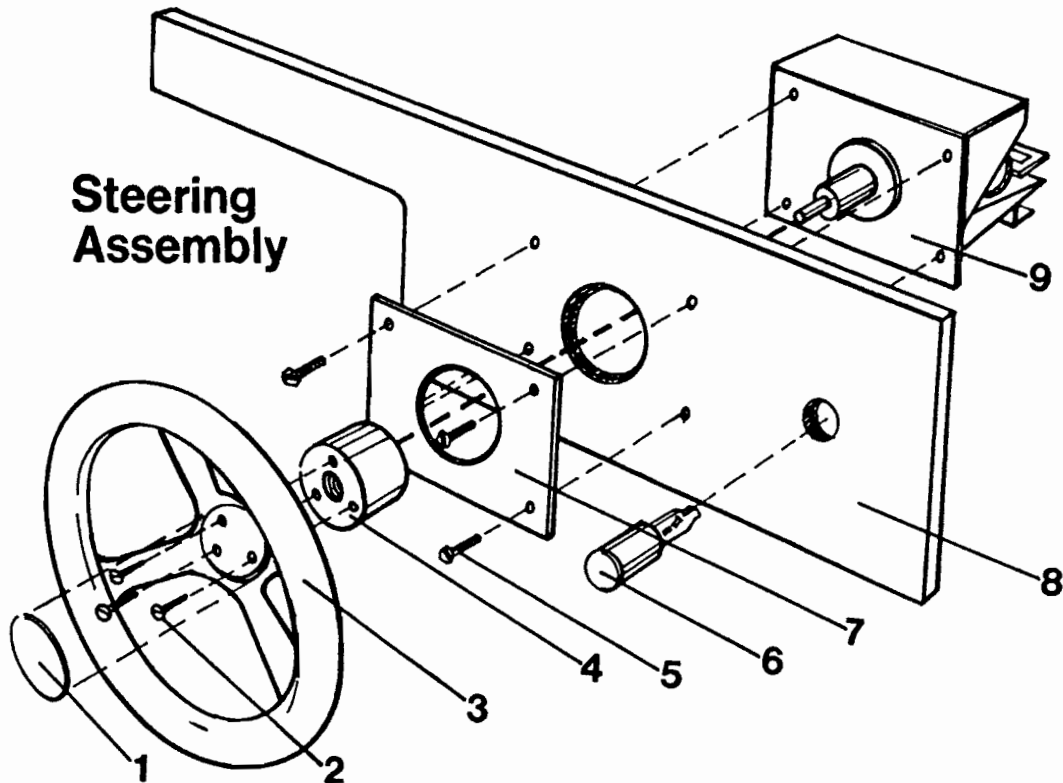
Continental Circuit™



UPRIGHT STEERING WHEEL ASSEMBLY

KEY NO.	PART NO.	DESCRIPTION
ASSY	115-107000	Complete Steering Wheel Assembly
1	115-907009	Plastic Cap
2	115-907101	6mm x 7mm Socket Head Cap Screw
3	115-907006	Steering Wheel
4	115-907001	Steering Wheel Hub
5	115-907012	1/4-20 x 2" Carriage Bolt with 1/4-20 Hex Nut
6	900-901018	Start Button
7	115-907007	Trim Plate
8	115-101007	Control Panel
9	115-907029	Steering Mechanism Assembly

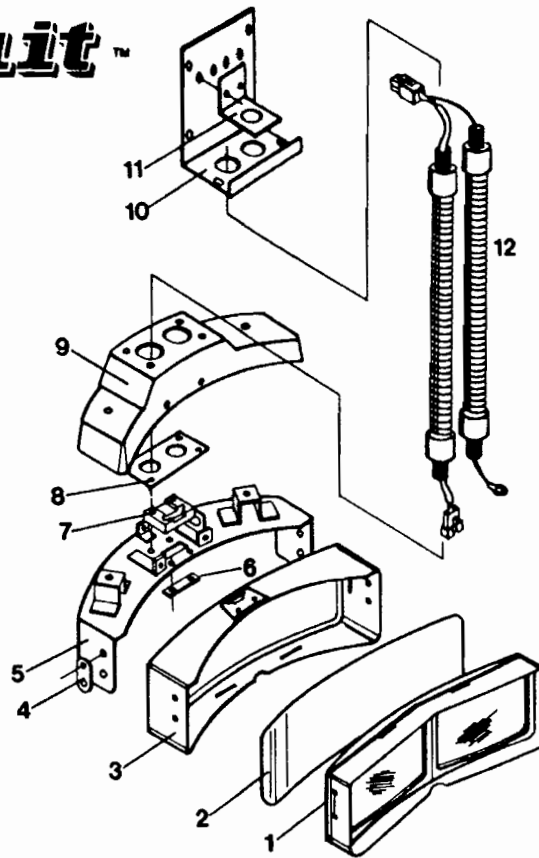
Continental Circuit™



SITDOWN STEERING WHEEL ASSEMBLY

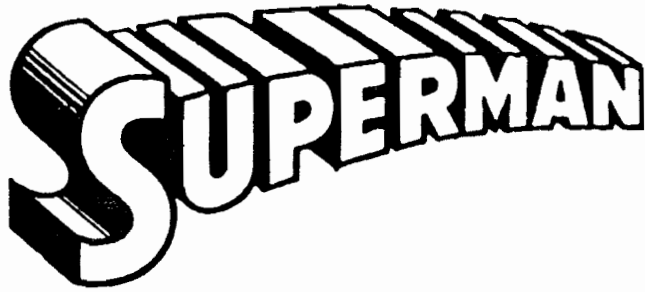
KEY NO.	PART NO.	DESCRIPTION
ASSY	115-407000	Complete Steering Wheel Assembly
1	115-907009	Plastic Cap
2	115-907101	6mm x 7mm Socket Head Cap Screw
3	115-907006	Steering Wheel
4	115-907001	Steering Wheel Hub
5	115-907012	1/4-20 x 2" Carriage Bolt with 1/4-20 Hex Nut
6	900-901018	Start Button
7	115-907007	Trim Plate
8	115-401007	Control Panel
9	115-907029	Steering Mechanism Assembly

Continental Circuit™



L.C.D. LENS ASSEMBLY

KEY NO.	PART NO.	DESCRIPTION
1	115-811001	Scope Assembly VO-U41TA
2	115-811002	Scope Assembly VO-U41TA
3	115-911003	Scope Assembly VO-U41TA
4	115-911004	Joint Plate
5	115-911005	Scope Base
6	115-911006	Spacer Plate
7	115-911007	Insulator
8	115-911008	Spacer
9	115-911009	Cover
10	115-411010	Tube Hold Bracket A (Sitdown Only)
11	115-411011	Tube Hold Bracket B (Sitdown Only)
12	155-411012	Flexible Harness & Tube Assembly (Sitdown Only)

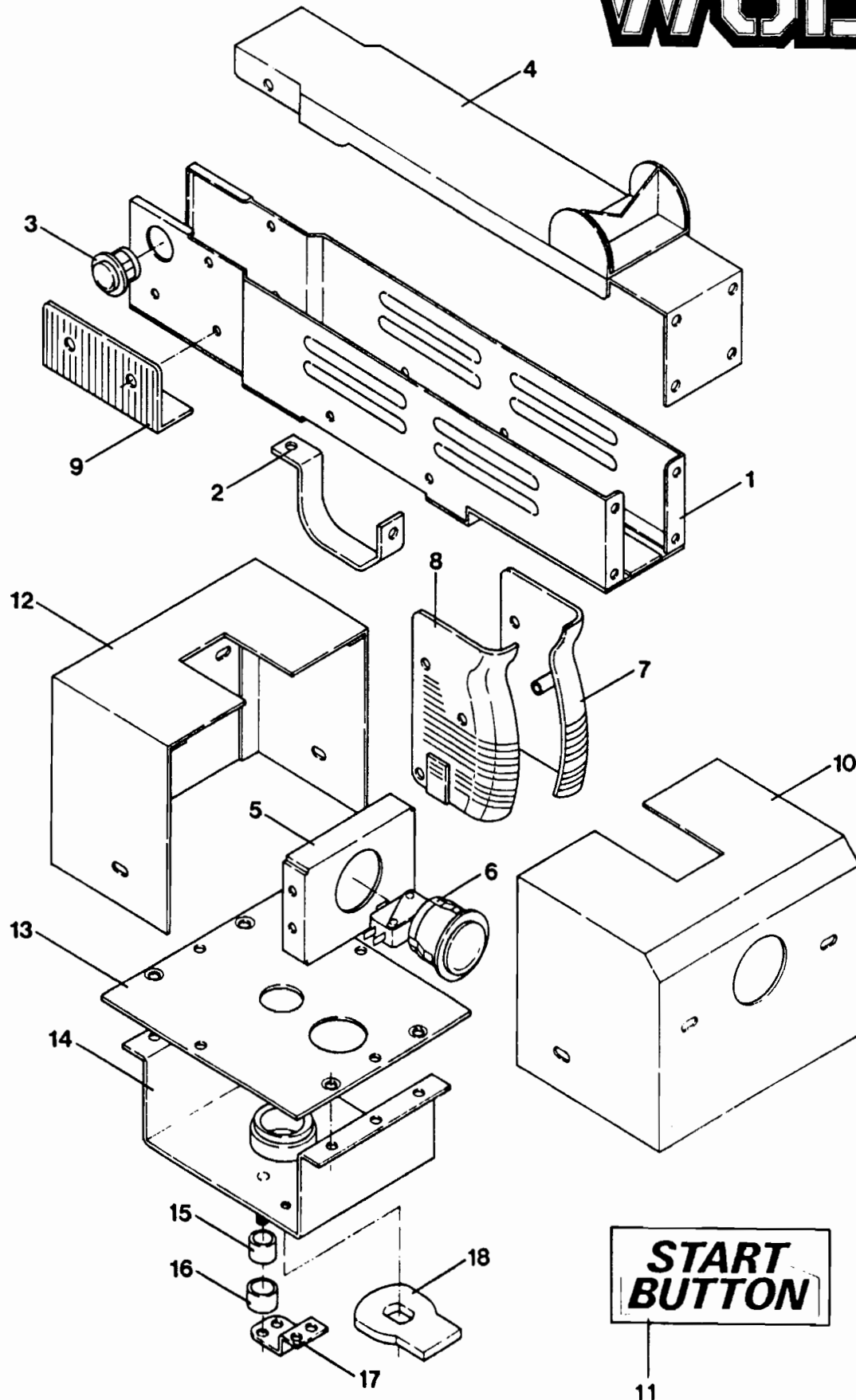


TAITO AMERICA CORPORATION KIT PARTS PROVIDED

- 1 - (900-901010) - Red 8-Way Joystick Assembly
- 1 - (900-901011) - Blue 8-Way Joystick Assembly
- 3 - (900-901012) - Red Buttons
- 3 - (900-901013) - Blue Buttons
- 6 - (900-901016) - Button Labels
- 1 - (135-908004) - "SUPERMAN" Control Panel Overlay
- 1 - (135-908008) - Control Panel Cover (Clear Acrylic)
- 1 - (135-908002) - "SUPERMAN" Monitor Bezel
- 1 - (135-908001) - "SUPERMAN" Marquee
- 2 - (135-908012) - "SUPERMAN" Side Cabinet Decals
- 1 - (900-905002) - Wiring Harness (JAMMA Type)
- 1 - (135-908005) - Instruction Sheet With Removable Control
Stickers
- 1 - (135-398000) - "SUPERMAN" PC Board Assembly
- 4 - (900-999004) - PC Board Mounting Legs & Hardware
- 1 - (135-908007) - Operating Manual

FIGURE A

OPERATION WOLF™



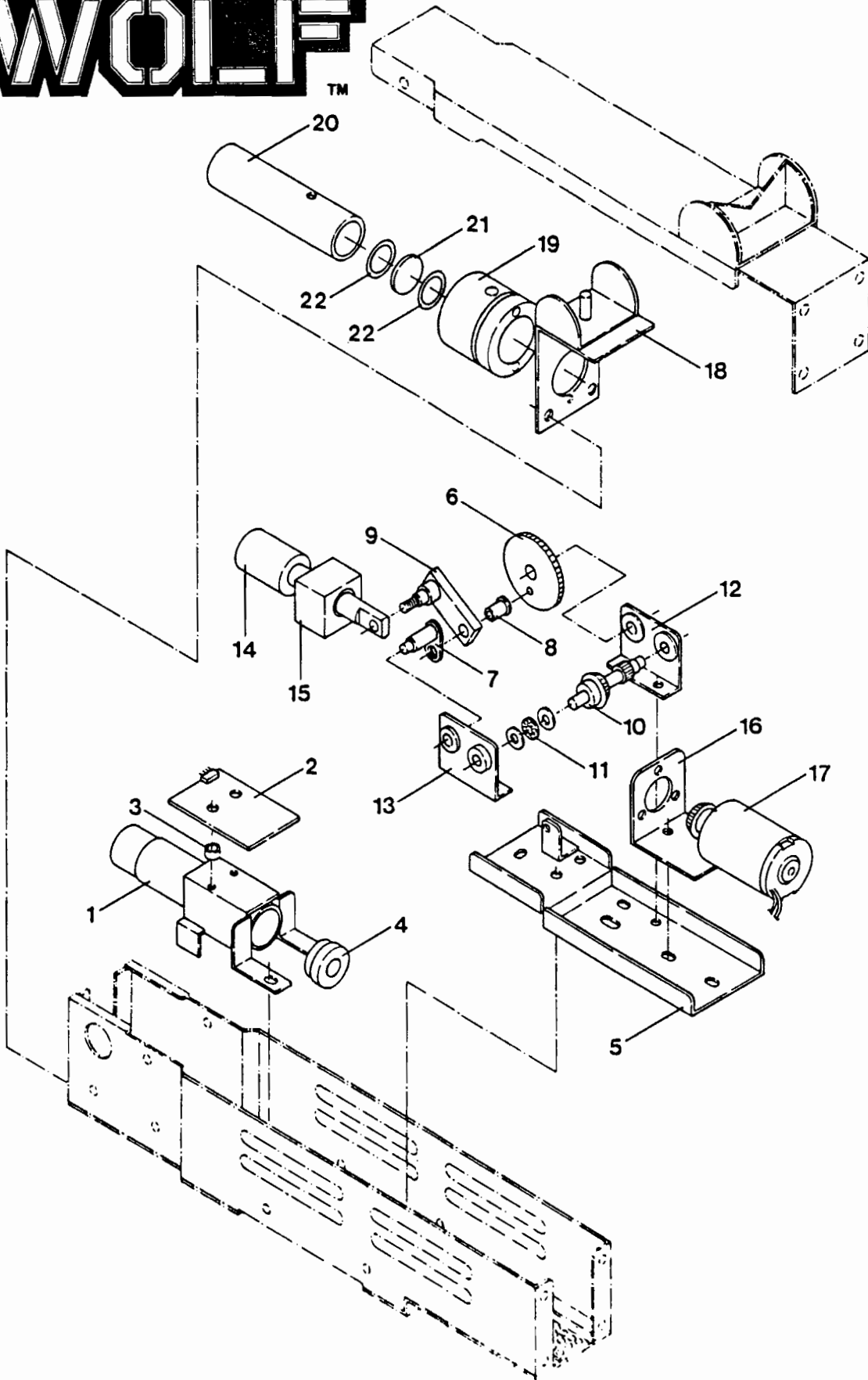


OPERATION WOLF GUN ASSEMBLY PART NUMBERS
FIGURE A

FIG NO.	TAITO PART NUMBER	REF. NO.	DESCRIPTION
	080-109000	M9001241A	OPERATION WOLF GUN ASSY
1	080-109001	E3005064A	GUN BODY A
2	080-109002	E3005082A	TRIGGER COVER
3	080-109003	CO200272A	PUSH BUTTON (RED)
4	080-109005	E3006065A	GUN BODY B
5	080-109006	E3005075A	BUTTON BRACKET
6	080-109007	CO200220A	PUSH BUTTON ASSY
7	080-109008	F9001447A	GRIP L
8	080-109009	F9010448A	GRIP R
9	080-109010	F9001449A	FAIR GRIP
10	080-109011	E3005072A	CASE A
11	080-109012	G9500302A	BUTTON STICKER
12	080-109013	E3005073A	CASE B
	080-109200	M9001240A	GUN BASE ASSY B
13	080-109201	E9000223A	UP BASE
14	080-109202	E9000224A	UNDER BASE
15	080-109106	F9001489A	STOPPER COVER
16	080-109107	E1000776A	OUTER STOPPER
17	080-109108	E3005095A	STOPPER SUPPORT
18	080-109111	E3004280A	CAM B

OPERATION WOLF™

FIGURE B





OPERATION WOLF GUN ASSEMBLY PART NUMBERS
FIGURE B

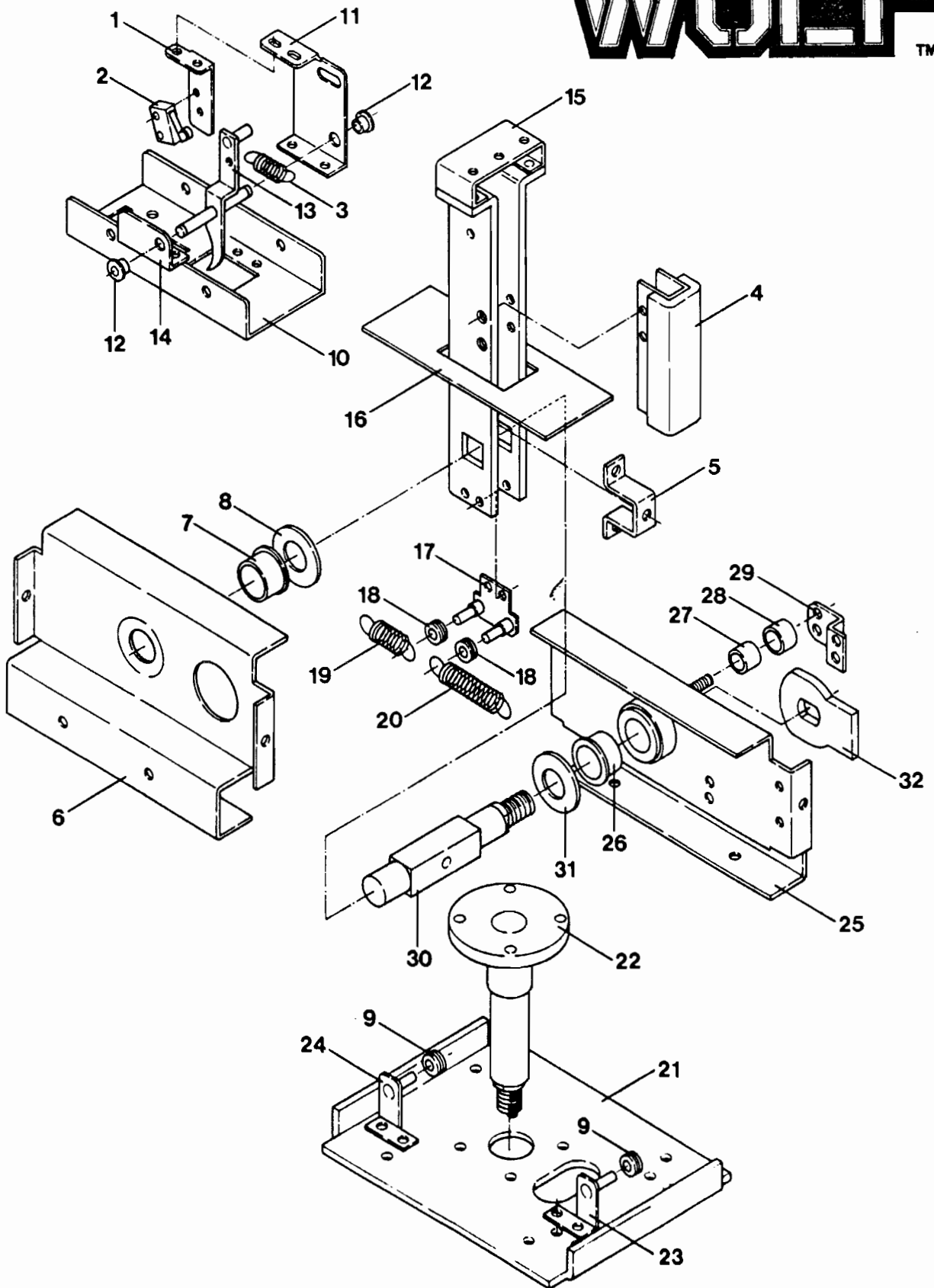
FIG. NO.	TAITO PART NUMBER	REF. NO.	DESCRIPTION
	080-109400	M9001245A	SENSOR ASSY
1	080-109401	E9000228A	SENSOR BASE
2	080-109402	K9100122A	SENSOR PC BOARD ASSY
3	080-109403	E1000762A	SENSOR BOARD SPACER
4	080-109404	F9000788A	SENSOR HOLDER
	080-109500	M9001246A	MECHA ASSY
5	080-109501	E3005071A	MECHA BASE
6	080-109502	E7000103A	SPUR GEAR
7	080-109503	E1000764A	CRANK L
8	080-109504	E1000761A	CRANK JOINT
9	080-109505	E9000218A	JOINT BAR
10	080-109506	E7000104A	GEAR & SHAFT
11	080-109507	E6000114A	THRUST BEARING SST-940 NMB
12	080-109508	E3005068A	CRANK BASE R
12	080-109509	(NOT SHOWN)	CRANK BASE W/ BEARINGS
13	080-109510	E3005067A	CRANK BASE L
13	080-109511	(NOT SHOWN)	CRANK BASE W/ BEARINGS
14	080-109512	E1000771A	WEIGHT SHAFT
15	080-109513	F9001450A	BLOCK
16	080-109514	C1200234A	DC MOTOR DM338BS
17	080-109515	E3005077A	MOTOR BRACKET
	080-109516	H9000200A	GEARED MOTOR
	080-109600	M9001247A	BARREL ASSY
18	080-109601	E9000230A	GUN BODY C



19	080-109602	E1000759A	BARREL SUPPORT
20	080-109603	E1000767A	BARREL
21	080-109614	F9000787A	LENS F=99.85
22	080-109605	F1000006A	O RINGS P-16

FIGURE C

OPERATION WOLF™



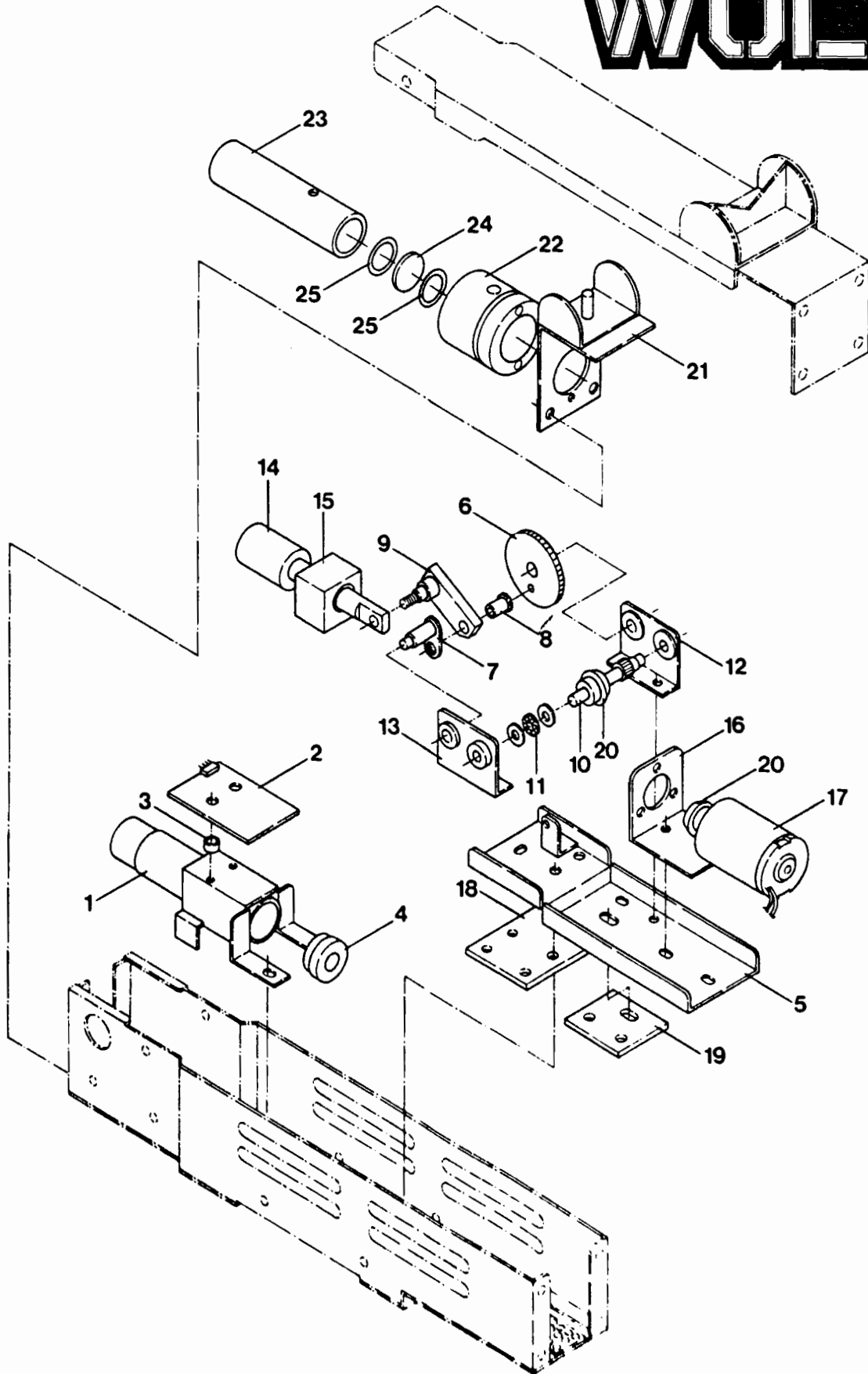
OPERATION WOLF GUN ASSEMBLY PART NUMBERS
FIGURE C



FIG. NO.	TAITO PART NUMBER	REF. NO.	DESCRIPTION
	080-109000	M9001241A	OPERATION WOLF GUN ASSY
1	080-109014	E3005078A	MS BRACKET
2	080-109015	CO200183A	MICRO SWITCH SS-5GL2
3	080-109016	E4000218A	TRIGGER SPRING
4	080-109017	E3005070A	GRIP FRAME
5	080-109018	E3005076A	SUBSHAFT STOPPER
6	080-109019	E9000227A	SIDE BRACKET R
7	080-109020	F9000621A	OILES FLANGE BUSH 80F-0505
8	080-109021	E3005079A	SHAFT SPACER
9	080-109022	E1000194A	ROLLER
	080-109300	M9001244A	GRIP ASSY
10	080-109301	E3005074A	GRIP BASE
11	080-109302	E3050881A	TRIGGER BASE R
13	080-109303	E9000229A	TRIGGER
14	080-109304	E3005080A	TRIGGER BASE L
15	080-109305	E3005069A	GRIP FRAME
16	080-109306	F9001488A	GUN MASK
17	080-109307	E9000219A	SPRING HOOK A
18	080-109022	E1000194A	ROLLER
19	080-109309	E4000219A	RETURN SPRING A
20	080-109310	E4000223A	RETURN SPRING B
	080-109100	M9001248A	OW GUN BASE ASSYA
21	080-109101	E3005094A	BOX BASE



22	080-109102	E1000760A	MAIN SHAFT
23	080-109103	E9000220A	SPRING HOOK B
24	080-109104	E9000221A	SPRING HOOK C
25	080-109105	E9000226A	SIDE BRACKET L
26	080-109020	F9000621A	OILES FLANGE BUSH- 80F-0505
27	080-109106	F9001489A	STOPPER COVER
28	080-109107	E1000776A	OUTER STOPPER
29	080-109108	E3005095A	STOPPER SUPPORT
30	080-109109	E1000766A	SUB SHAFT
31	080-109110	E3005079A	SHAFT SPACER
32	080-109111	E3004280A	CAM B





OPERATION WOLF - MECHA ASSEMBLY REVISION
EFFECTIVE 2/1/89

FIG NO	PART NUMBER	REF NUMBER	DESCRIPTION
	080-109700	M9001246A	MECHA ASSY
5	080-109501	E3005071A	MECHA BASE
6	080-109502	E7000103A	SPUR GEAR
7	080-109503	E1000764A	CRANK L
8	080-109504	E1000761A	CRANK JOINT
9	080-109505	E9000218A	JOINT BAR
10	080-109704	E7000119A	GEAR & SHAFT
11	080-109507	E6000114A	THRUST BEARING SST-940 NMB
12	080-109508	E3005068A	CRANK BASE R
12	080-109509	(NOT SHOWN)	CRANK BASE W/ BEARINGS
13	080-109510	E3005067A	CRANK BASE L
13	080-109511	(NOT SHOWN)	CRANK BASE W/ BEARINGS
14	080-109512	E1000771A	WEIGHT SHAFT
15	080-109513	F9001450A	BLOCK
16	080-109515	E3005077A	MOTOR BRACKET
17	080-109701	H9000226A	PULLEY & MOTOR
18	080-109702	E3005338A	BASE SPACER A
19	080-109703	E3005339A	BASE SPACER B
20	080-109705	F9001620A	RUBBER

V'BALL

TAITO AMERICA CORPORATION KIT PARTS PROVIDED

- 2 - (900-901010) - 8 Way Joystick Assemblies (Red)
- 2 - (900-901010) - Extra Joystick Assemblies (4 Player Kit ONLY)
- 4 - (900-901012) - Red Buttons
- 4 - (900-901012) - Extra Red Buttons (4 Player Kit ONLY)
- 1 - (120-208004) - "V'BALL" Control Panel Overlay
- 1 - (120-208002) - "V'BALL" Monitor Bezel
- 1 - (120-108001) - "V'BALL" Marquee
- 1 - (900-905002) - Wiring Harness (JAMMA Type)
- 1 - (900-905005) - Wiring Harness (JAMMA Type) with two 9 pin connectors for players 3 & 4 (4 PLayer Kit ONLY)
- 1 - (120-208005) - Instruction Sheet With Removable Control Stickers
- 1 - (900-908013) - FCC Cage
- 1 - (120-398000) - "V'BALL" PC Board Assembly (2 Player Kit)
- 1 - (125-398000) - "V'BALL" PC Board Assembly (4 Player Kit)
- 2 - (900-999004) - PC Board Mounting Blocks

SERVICE NOTES