

THE PIT

SERVICE MANUAL

THE PIT

CENTURI, INC.
245 W. 74TH PLACE
HIALEAH, FLA. 33014

CUSTOMER SERVICE:
TEL. #(305) 558-5200 (IN FLORIDA)
TEL. #(800) 327-7710 (OUTSIDE FLORIDA)
TELEX: 803694 ANSB CENTURI CABLE: CENTURI

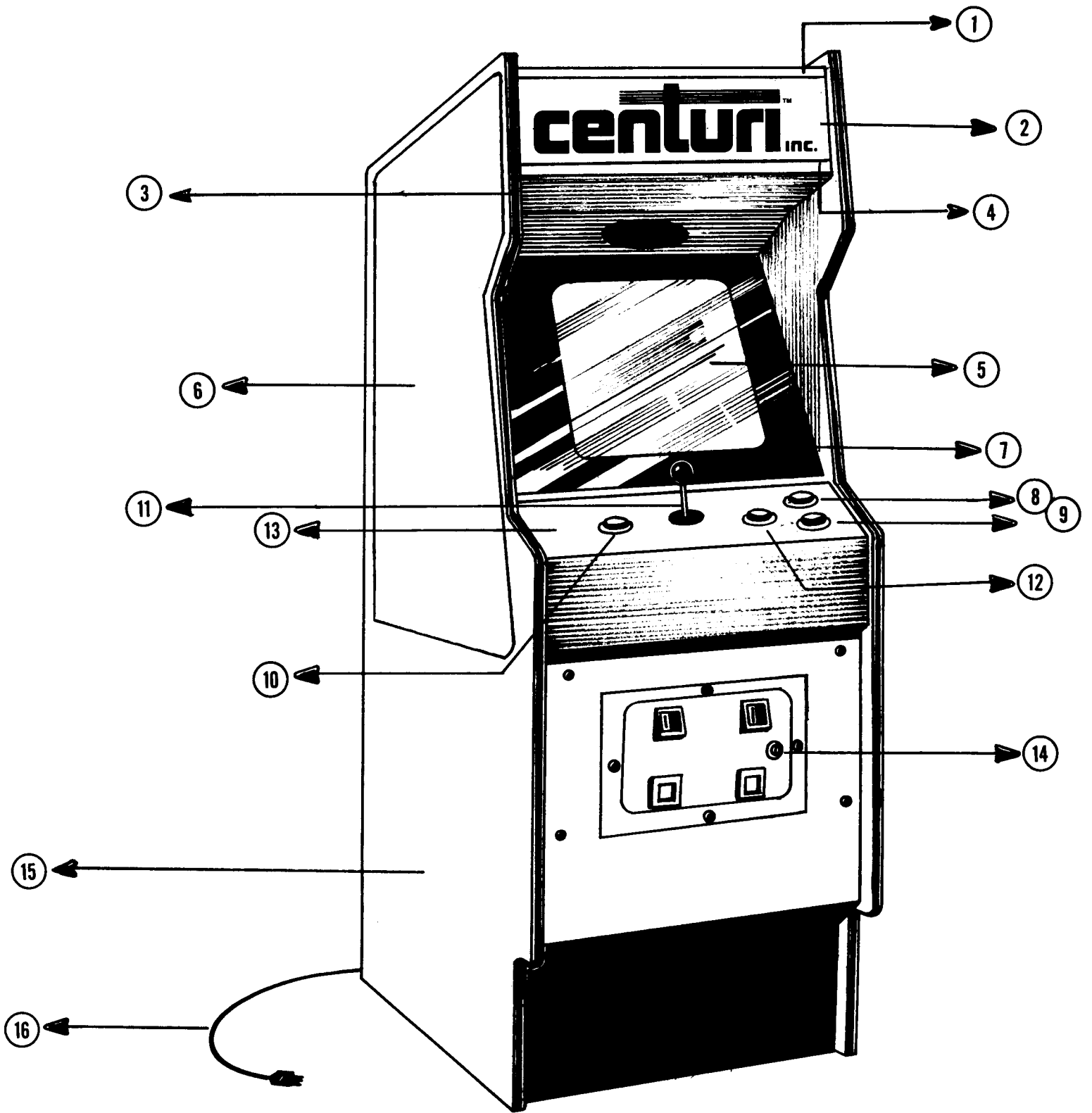
THE PIT
TABLE OF CONTENTS

<u>I. INTRODUCTION:</u>	<u>PAGE NO.</u>
USER INFORMATION-----	1
FRONT VIEW, THE PIT, CABINET (FIG. 1)-----	2
FRONT VIEW CABINET PARTS LIST FOR FIG. 1-----	3
GAME DESCRIPTION SUMMARY-----	4,5
<hr/>	
<u>II. OPERATION:</u>	
GAME INSTRUCTIONS AND POINT SCORING-----	6
OPTIONAL SWITCH SETTINGS-----	7
INSTALLATION & ELECTRICAL REQUIREMENTS-----	8
110/220 VAC CONVERSION INSTRUCTIONS-----	9
110/220 VAC INTERCONNECT DIAGRAM, FIG. 2 (370-10-0400B)-----	10
ROUTINE MAINTENANCE & SERVICE-----	11
<hr/>	
<u>III. GAME PART DRAWINGS, PARTS LISTS, & SCHEMATICS</u>	
EXPLODED VIEW OF JOYSTICK ASS'Y., FIG. 3-----	12
EXPLODED VIEW OF JOYSTICK PARTS LIST-----	13
CONTROL PANEL EXPLODED VIEW & PARTS LIST FIG. 4-----	14
FRONT PLATE EXPLODED VIEW, FIG. 5-----	15
FRONT PLATE EXPLODED VIEW PARTS LIST-----	16
COIN DOOR EXPLODED VIEW, FIG. 6 (MECHANICAL)-----	17
COIN DOOR EXPLODED VIEW PARTS LIST (MECHANICAL)-----	18
COIN DOOR EXPLODED VIEW, FIG. 7 (HARDWARE)-----	19
COIN DOOR EXPLODED VIEW PARTS LIST (HARDWARE)-----	20
VIDEO RAM & CONTROL BOARD PARTS LIST (#50330021)-----	21
C.P.U. & SOUND BOARD PARTS LIST (#50330020)-----	22,23
ELECTRONIC MODULE ASS'Y. PARTS LIST (#50330022)-----	24
SHINDENGEN POWER SUPPLY PARTS LIST-----	25,26
C.P.U. SHIELD & BRKT. (377-03-0100)-----	27
C.P.U. HOLDING ASS'Y. (377-01-0300)-----	28
C.P.U. HARNESS (377-12-0100B)-----	29
CONTROL PANEL HARNESS (377-12-0400)-----	30
MONITOR POWER OPTIONS (370-10-0300)-----	31
MONITOR SIGNAL HARNESS (364-12-0500D)-----	32
P.C.B. ASS'Y. (#50330020, VIDEO RAM & CONTROL BD. HT01A)-----	33,34
ELECTRONIC MODULE ASS'Y. (#50330022, LOCATED ON HT01A SCHEMATIC)-----	33
P.C.B. ASS'Y. (#50330021, C.P.U. & SOUND BD. HT01B)-----	35
SHINDENGEN POWER SUPPLY (363-17-0300)-----	36
COMPLETE GAME LESS PKG. (380-01-0200)-----	37

USER INFORMATION - F.C.C.

WARNING

THIS EQUIPMENT GENERATES, USES, AND CAN RADIATE RADIO FREQUENCY ENERGY, AND IF NOT INSTALLED AND USED IN ACCORDANCE WITH THE INSTRUCTION MANUAL, MAY CAUSE INTERFERENCE TO RADIO COMMUNICATIONS. AS TEMPORARILY PERMITTED BY REGULATION, IT HAS NOT BEEN TESTED FOR COMPLIANCE PURSUANT TO SUBPART J OF PART 15 OF F.C.C. RULES, WHICH ARE DESIGNED TO PROVIDE REASONABLE PROTECTION AGAINST SUCH INTERFERENCE. OPERATION OF THIS EQUIPMENT IN A RESIDENTIAL AREA IS LIKELY TO CAUSE INTERFERENCE IN WHICH CASE, THE USER AT HIS OWN EXPENSE WILL BE RQUIRED TO TAKE WHATEVER MEASURES MAY BE REQUIRED TO CORRECT THE INTERFERENCE.



(FIG, 1) FRONT VIEW OF CABINET

THE PIT CABINET

(FIGURE 1)

PARTS LIST

<u>ITEM</u>	<u>CENTURI P/N:</u>	<u>DESCRIPTION:</u>
1.	343-03-0200	TOP ANGLE HOLD DOWN BRACKET
2.	380-06-0100	SILK SCREENED MARQUEE PANEL
3.	361-10-0200	VINYL TRIM, 7 1/4" LONG
4.	361-03-0100	GLASS HOLDING BRACKET
5.	361-04-1000	VIEWING GLASS
6.	380-06-0200 380-06-0300	LEFT SIDE DECAL RIGHT SIDE DECAL
7.	380-06-0500	SILK SCREENED MONITOR OVERLAY
8.	-----	1-PLAYER START BUTTON
9.	-----	2-PLAYER START BUTTON
10.	-----	FIRE BUTTON - LEFT
11.	-----	4-POSITION JOYSTICK
12.	-----	FIRE BUTTON - RIGHT
13.	380-14-0200	CONTROL PANEL WIRED ASSEMBLY
14.	360-14-0700	COINCO COIN DOOR (MODIFIED)
15.	375-01-0900A	WOOD CABINET ASSEMBLY
16.	361-12-0900A	LINE CORD

THE PIT

Continuing with its policy of producing high quality video games, Centuri, Inc., adds to its successful line, THE PIT. Centuri incorporates into this game, all the elements of sight and sound necessary to attract a player of any skill level.

The game begins with an underground cave, etched in tunnelling paths, illuminating the game screen. Atop the cave surface, stands a Shelter Station. Without delay, a Base Ship lands to the left of the Station, and an Astronaut-Explorer, garbed in green, exits the Ship to begin his Mission. His goal is to retrieve the Buried Treasure, which is secure in a chamber in the cave bottom, and return to the Base Ship.

The Astronaut-Explorer is guided down through the cave with the Laser Shooting Joystick. Paths are tunneled open by him, in the direction that he is guided. Openings can be made through the solid cave wall, to open paths, as well as around the barricading rocks. The Astronaut-Explorer must be wary of the rocks loosened by the Laser gun. If he does not move clear of them, they will fall on him and crush him.

Shortly after the Astronaut-Explorer embarks on his Mission, an enemy ship lands to the right of the Shelter Station. Enemy explorers depart from their ship, and descend into the depths of the cave, in attempt to steal the Buried Treasure, while trying to plummet the Astronaut-Explorer, hoping to destroy him. The Astronaut-Explorer defends himself by firing at the enemy from a right or left direction. As quickly as one enemy is shot(200 points), another enemy enters the cave to take its place.

Along his route to the Buried Treasure, the Astronaut-Explorer's Mission is enhanced if he collects any of the Blue Gem Crystals(1,000 pts.) found in the preexisting paths.

Upon reaching the Treasure chamber, the Astronaut-Explorer must cross the entrance at his own risk. He must quickly procure the Treasure(2,000 points), and exit the chamber, before the ceiling of rocks tumble down upon him, and destroy him.

After a safe exit is achieved, the Astronaut-Explorer must create a path to return to the Base Ship. The only entrance to the Ship is made accessible by crossing the "deadly Pit". The floor of the Pit begins to open immediately upon his presence. He must make it safely through the

opening, or fall to his death in the Pit bottom.

When the Astronaut-Explorer safely crosses the Pit and reboards the Base Ship(10,000 points), his Mission has been successful. The game then continues with a new, faster-paced round of play.

The whole phase of play, described above, is based on a predetermined time, visually displayed on the cave surface. From the time the enemy ship lands, it continuously shoots through the wall of the Shelter Station. In order for a Mission to be totally successful, it must be completed before the Shelter Station, and then the Base Ship are successively destroyed by the enemy ship fire.

THE PIT
GAME INSTRUCTIONS

1. Insert Coin(s).
2. Select 1 or 2 Player Button.
3. Guide Astronaut through cave, to buried treasure, by forming tunnels with Laser Shooting Joystick.
4. Avoid falling rocks.
5. Shoot attacking enemy, score 200 points. Fire Button shoots only from a right or left direction.
6. Collect Blue Crystals from tunnel bottoms, score 1,000 Bonus points.
7. Secure treasure, score 2,000 points. Return to Base Ship, safely cross the "Pit" and reboard Ship, score 10,000 points.
8. Continue play with a new, faster-paced Mission.
9. Successful Mission must be completed before Shelter Station and Base Ship, on cave surface, are destroyed by enemy ship fire.

POINT SCORING

SHOOTING THE ENEMY - SCORE 200 POINTS FOR EACH

COLLECT THE BLUE GEM CRYSTALS - SCORE 1,000 BONUS POINTS FOR EACH

COLLECT THE BURIED TREASURE - SCORE 2,000 POINTS

CROSS "THE PIT" SAFELY AND REBOARD THE SHIP - SCORE 10,000 POINTS.

OPTIONAL DIP SWITCH SETTINGS

The Dip Switches for the Pit Game are located on the C.P.U. Board.
The following optional settings will aid you in your game format selection.

DIP SWITCH 1

<u>POSITION 1</u>	<u>POSITION 2</u>	<u>COIN - CREDIT OPTIONS</u>
OFF	OFF	1 PLAYER, 1 CREDIT; 2 PLAYERS, 2 CREDITS
ON	OFF	1 PLAYER, 2 CREDITS; 2 PLAYERS, 3 CREDITS
OFF	ON	1 PLAYER, 2 CREDITS; 2 PLAYERS, 4 CREDITS
ON	ON	FREE PLAY - 9 CREDITS

POSITION 3

OFF
ON

GAME SPEED

SLOW
FAST

POSITION 4

OFF
ON

GAME TIME

LONG
SHORT

DIP SWITCH 2

<u>POSITION 1</u>	<u>POSITION 2</u>	<u>MONITOR CONFIGURATION</u>
OFF	OFF	NORMAL UPRIGHT
ON	OFF	INVERTED UPRIGHT
OFF	ON	NORMAL COCKTAIL
ON	ON	INVERTED COCKTAIL

POSITION 3

OFF
ON

NUMBER OF EXPLORERS PER GAME

THREE
FOUR

POSITION 4

OFF
ON

DIAGNOSTIC TESTS

NORMAL GAME PLAY
EXTRA TEST SEQUENCE

INSTALLATION

Your game was shipped from the factory in ready-to-play condition. A brief inspection is suggested before the machine is removed from the carton. If there is damage to the shipping carton, contact the freight carrier for claim purposes. External damage could indicate possible damage to the cabinet and/or electronics components.

After the carton has been satisfactorily inspected, remove the machine from the shipping carton.

Examine the interior of the game for disconnected wires, cables, or harnesses. Make sure the electronic devices are securely mounted in their sockets, etc. Record the game serial number, since it will be required for reference and servicing.

ELECTRICAL REQUIREMENTS

Unless otherwise specified, this game is set to operate at 110 Volts A.C. (See Fig. 2 and 110/220 VAC conversion instructions.)

Power supply chasis schematic information and parts list are included in this manual.

110/220 VAC CONVERSION INSTRUCTIONS

This game contains a harness configuration which allows the machine to be operated from either a 110 VAC or 220 VAC, 50 Hz or 60 Hz power source. All games shipped from Centuri, Inc., are in the 220 VAC configuration. To change to the 220 VAC configuration follow the procedure below.

FIRST: Unplug the machine from the wall outlet to completely eliminate shock hazards.

SECOND: Remove the single 3 AMP slow-blow fuse found in the A.C. Distribution Bracket, and install two, 1.5 AMP slow-blow fuses. Next cut the #18 AWG. white jumper at both ends of the fuse holder, and replace the cover.

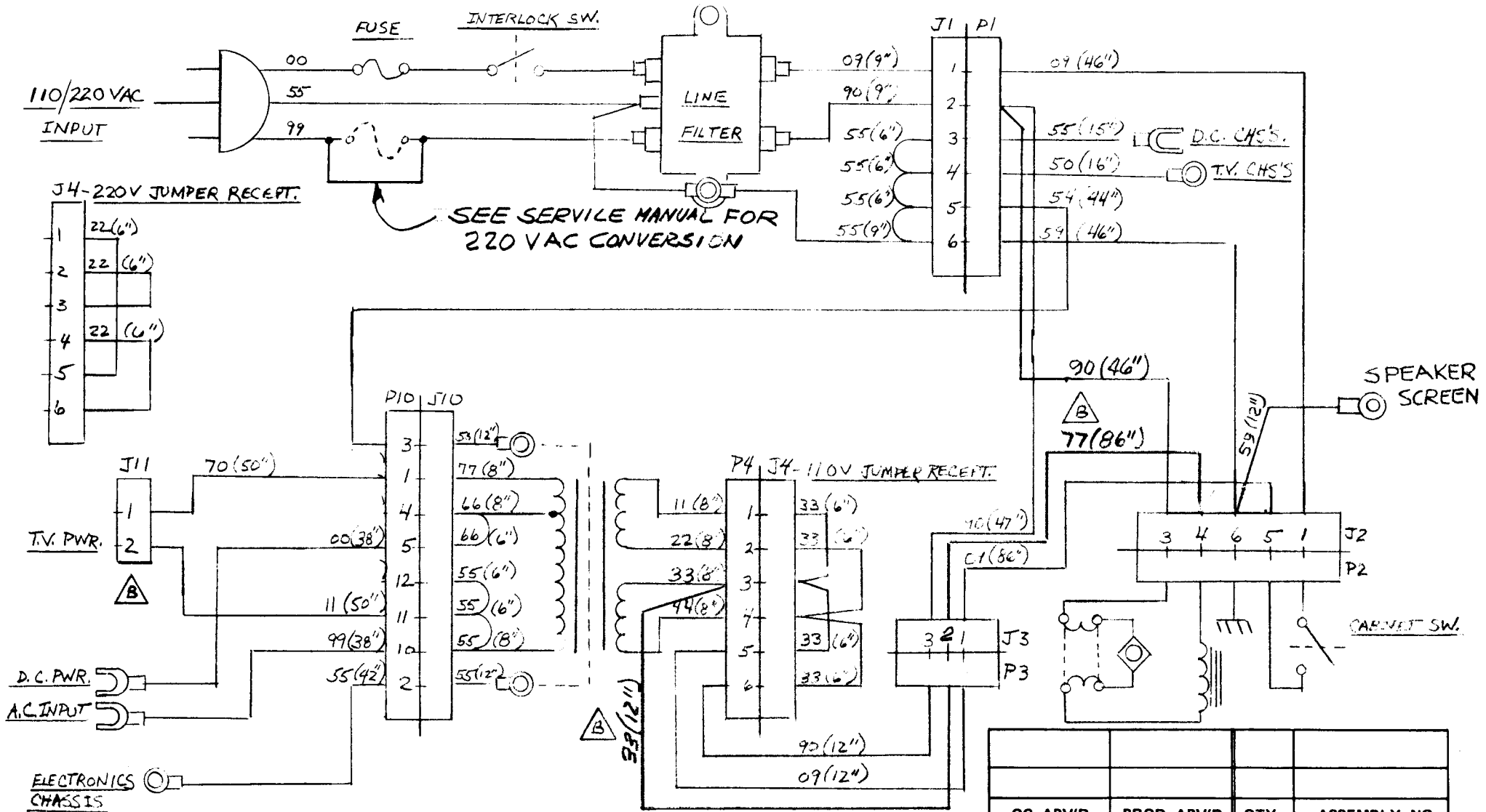
THIRD: On the game power transformer, locate the "orange" jumper plug which is marked, 110 VAC. Unplug the "orange" jumper, and plug in the "red" jumper marked 220 VAC.

To revert back to 110 VAC, replace the components originally removed from the Steps above.

***NOTE: The common side of the A.C. Line must not be fused in the 110 VAC configuration - Replace the #18 AWG., white jumper wire.

(Refer also to FIG. 2, 110/220 POWER INTERCONNECT DIAGRAM, #370-10-0400B)

FIGURE 2



QC. APV'D	PROD. APV'D	QTY.	ASSEMBLY NO

TOLERANCES				centuri ^{inc.}		HIALEAH, FLORIDA 33014	
Unless Otherwise Specified				NAME			
FRACTIONS ± 1/32				110/220V POWER INTERCONNECT DIAG			
DECIMALS 2 PL ± .015							
DECIMALS 3 PL ± .005				MATERIALS			
HOLES + .003				HEAT TREAT.		FINISH	
ANGLES ± 1/2°				DWN. VAP		SCALE	
SHT. MET BENDS ± 2°				APV'D <i>[Signature]</i>		DATE 5-8-81	
REV. LET.		ECN NO.		REVISION		BY	
						PART NO. 370-10-0400	
						REV. B	

AF 17899A

ROUTINE MAINTENANCE & SERVICE

Because of the solid state electronic circuitry, this machine should require very little maintenance, and only occasional adjustments. However, it is necessary to take steps to insure this.

The volume control is located on the bottom side of the printed circuit board, farthest from the side of the cabinet, and can be accessed through the rear door.

The video monitor has been properly adjusted before shipping. Occasionally minor adjustments are necessary. Technical information, along with schematics, can be found in this manual. Adjustment controls for the monitor are located on the rear of the monitor.

"DO NOT MAKE ANY ADJUSTMENTS ON THIS MACHINE WHILE THE POWER IS ON!" This machine should only be adjusted by a "qualified" technician.

For Service Information, contact:

CENTURI, INC.

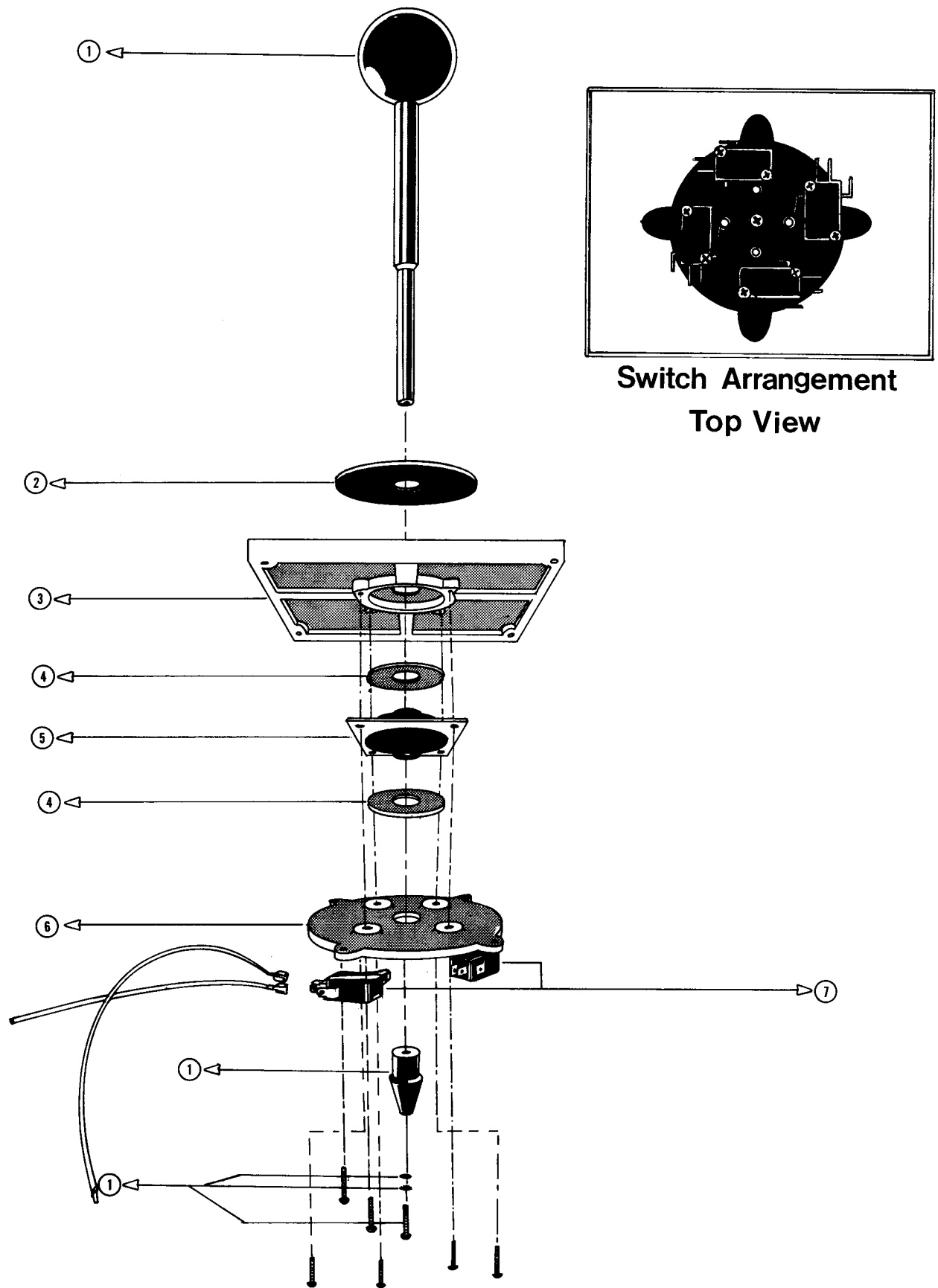
CUSTOMER SERVICE DEPARTMENT

#800-327-7710 (Outside the State of Fla.)

#305-556-5888 (In Florida)

POWER SUPPLY

The Computer Board in this game operates most efficiently and reliably when the power supply is set so the voltage on the Board is 5.0 Volts, ± 0.1 Volts. To check this, place a meter across 5 Volts, and ground, at the edge connector. If necessary, adjust the screwdriver control on the power supply, so the meter reads between 4.9 and 5.1 Volts.



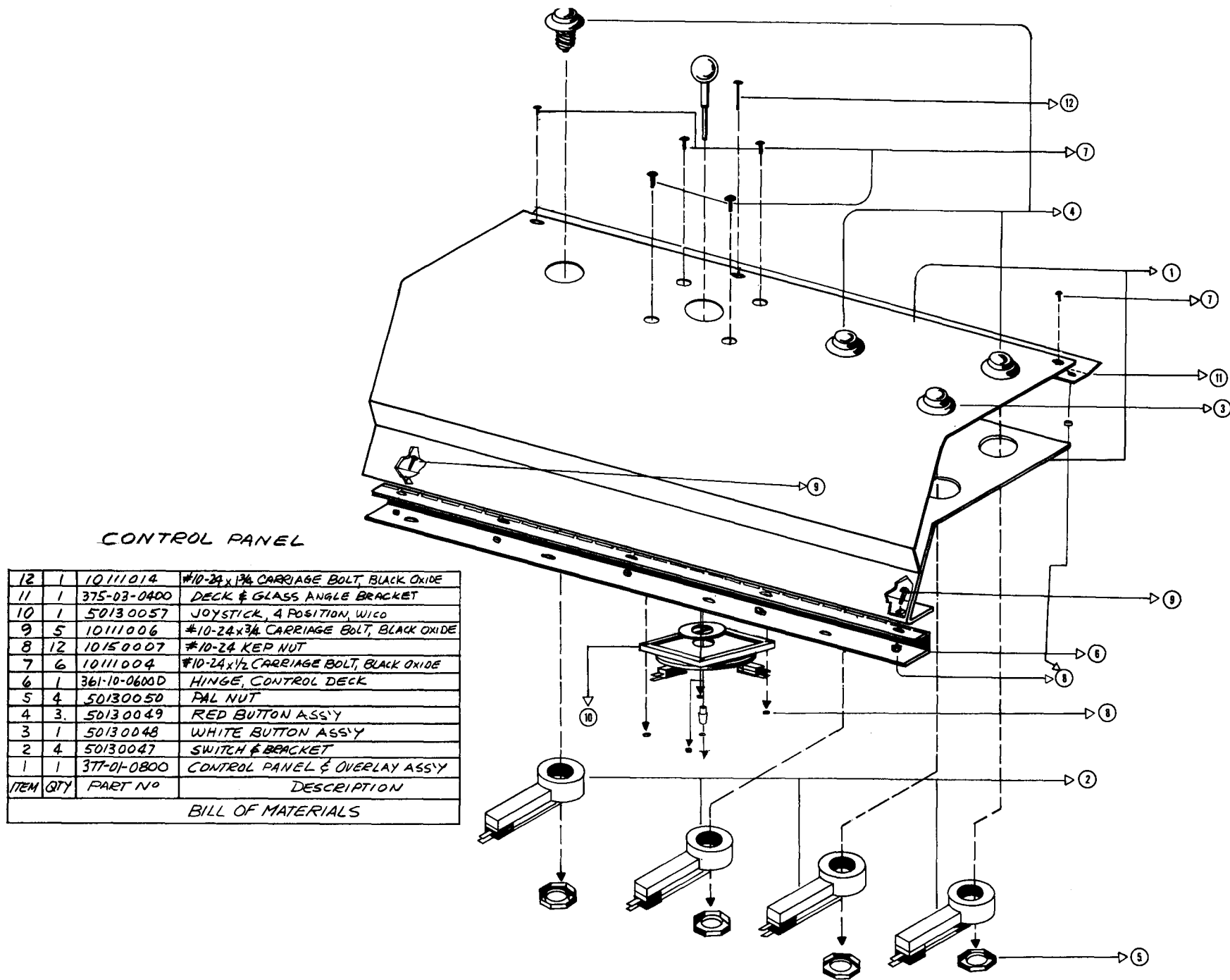
(FIG,3) EXPLODED VIEW OF JOY STICK ASS'Y.

WICO JOYSTICK ASSEMBLY

(FIGURE 3)

PARTS LIST

<u>ITEM</u>	<u>CENTRUI P/N:</u>	<u>MANUFACTURING P/N:</u>	<u>DESCRIPTION:</u>	<u>QNTY.</u>
1.	50270174	151419-01	KNOB & SHAFT ASS'Y. w/ACTUATOR & E RING	1
2.	50270175	15950401	PLASTIC WASHER, 2"DIA.	1
3.	50270176	15954101	TOP PLATE FOR JOYSTICK	1
4.	50270177	15950501	BOTTOM WASHER	2
5.	50270178	15952301	DIAPHRAGM	1
6.	50270179	15954201	SWITCH MOUNTING PLATE	1
7.	50130072	V-15FL22-1C2-K	MICROSWITCH	4
8.	50270180	15954501	ACTUATOR GUARD	4
9.	50270182	15950601	SWITCH MOUNTING BRKT.	4



(FIG.4) EXPLODED VIEW OF CONTROL PANEL ASS'Y.

**2800-0 FRONT PLATE EXPLODED VIEW
25¢ COIN**

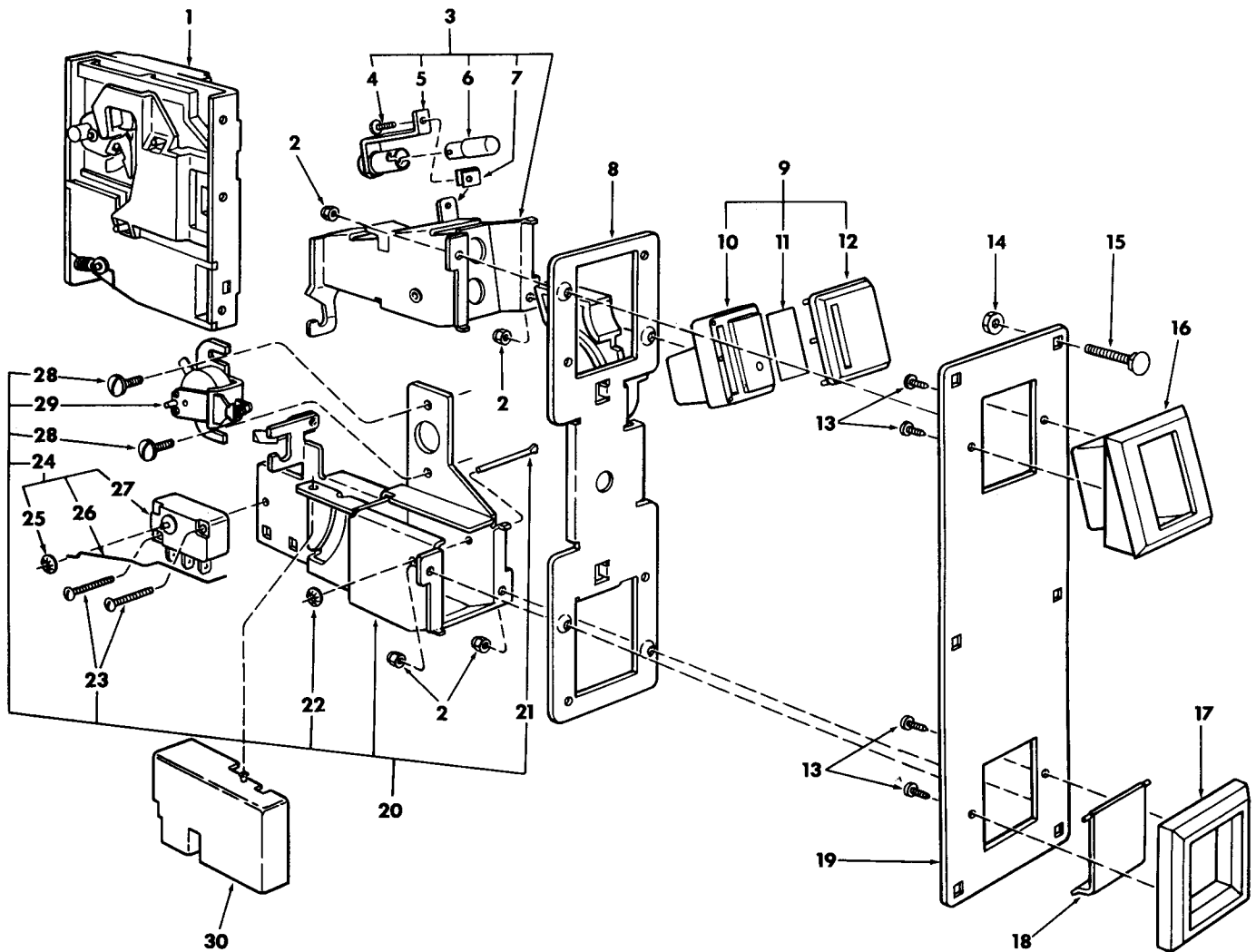


FIGURE 5

Index No.	Part No.	Description	Index No.	Part No.	Description
1	5301-10	25¢ Coin Acceptor	16	904588	Coin Inlet Housing
2	400-4	#4-40 Self Locking Nut	17	904590	Coin Return Cover
3	404351	Coin Inlet Chute Assembly	18	904599	Coin Return Door
4	110-4-6	4 x 3/8 Screw	19	404463	Frontplate Assembly, 3-1/8" x 9-1/4"
5	904717	Lamp Socket	20	404350	Coin Return Chute Assembly
6	904716	#47 Lamp (6.3 Volt)	21	905115	Bar
7	904712	Fastener	22	904936	Keeper
8	404464	Inner Panel/Lever Assembly	23	100-4-12	4-40 x 3/4 Screw
9	404348	Coin Return Button Assembly	24	404353	Switch & Wire Assembly
10	904591	Coin Return Button	25	900651	Retainer
11	904703	25¢ Price Decal	26	904710-1	Switch Wire-Silver
12	904589-2	Reject Cover Button (25¢)	27	904845	Switch
13	345-4-5	#4 x 5/16 Pan Head Screw	28	100-6-3	6-32 x 3/16 Screw
14	406-10	#10-24 Hex Nut (Mounting Hardware)	29	404354	12 Volt Crem Assembly
15	905022	#10-24 x 1-1/8 Carriage Bolt (Mounting Hardware)	30	904762	Switch Cover

2800-0 FRONT PLATE EXPLODED VIEW

(FIGURE 5)

PARTS LIST

<u>NO.</u>	<u>CENTURI P/N:</u>	<u>MANUFACTURING P/N:</u>	<u>DESCRIPTION:</u>
1.	50270144	5031-10	25¢ COIN ACCEPTOR
5.	50270169	904717	LAMP SOCKET
6.	50270170	904716	#47 LAMP (6.3 VOLT)
8.	50270172	404464	INNER PANEL/LEVER ASS'Y.
10.	50270145	904591	COIN RETURN BUTTON
11.	50270146	904703	25¢ PRICE DECAL
12.	50270147	904589-2	REJECT COVER BUTTON (25¢)
16.	50270149	904588	COIN INLET HOUSING
17.	50270157	904590	COIN RETURN BEZEL
18.	50270150	904599	COIN RETURN DOOR
19.	50270173	404463	FRONTPLATE ASS'Y. (3 ¹ / ₈ "x9 ¹ / ₄ ")
21.	50270168	905115	BAR
25.	50270141	900651	RETAINER
26.	50270142	904710-1	SWITCH-WIRE, SILVER
27.	50130061	904845	SWITCH
29.	50270165	404354	12 VOLT C.R.E.M. ASS'Y.
30.	50270164	904762	SWITCH COVER

2800 SERIES COIN DOOR EXPLODED VIEW

25¢ U.S. COIN

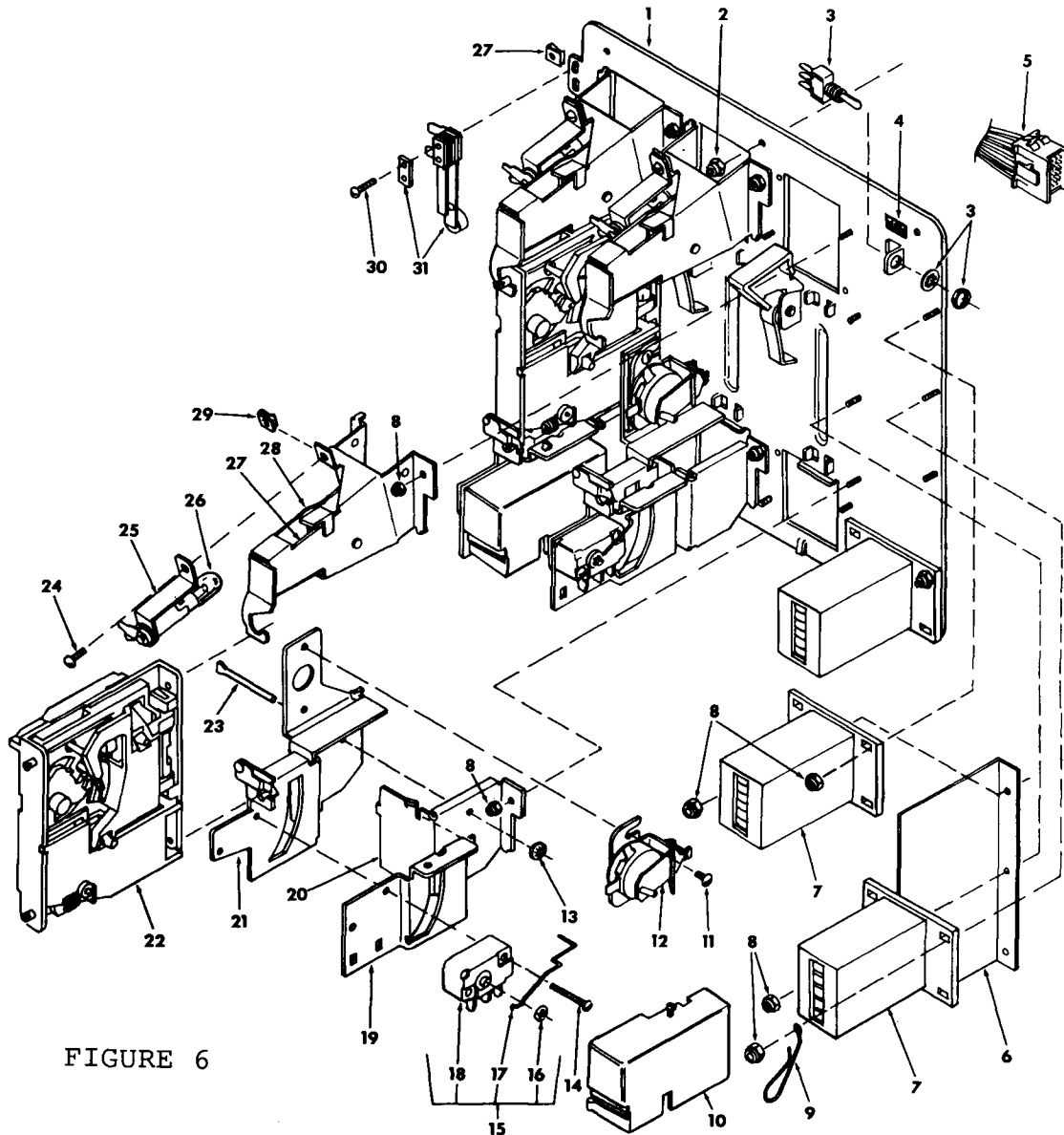


FIGURE 6

Index No.	Part No.	Description	Index No.	Part No.	Description
1	404429	Inner Panel With Levers Sub-Assembly	17	904710-1	Silver Switch Wire — for U.S. 25¢ Coin
2	400-8	Nut	18	904845	Switch
3	904782	Toggle Switch	19	904701	Coin Chute
4	904706	Test Switch Decal	20	904598	Coin Return Box
5		Custom Harness Assembly	21	404428	Switch and C.R.E.M. Coil Bracket Assembly
6	904822	Insulation	22	5301-10	25¢ Acceptor
7	404352	Coin Counter Assembly (6 Volt D.C.)	23	905115	Bar
8	400-4	Nut	24	110-4-6	Screw
9	904722	Wire Key Holder	25	904717	Miniature Bayonet-Base Lamp Socket
10	904762	Switch Cover	26	904716	#47 Lamp (6.3 Volt)
11	100-6-3	Screw	27	404418	Coin Inlet Chute Sub-Assembly
12	404354	C.R.E.M. Coil Assembly. 12 Volts D.C.	28	904594	Right Half of Coin Inlet Chute
13	904936	Keeper	29	904712	"U"-Type Fastener
14	100-4-12	Screw	30	116-4-8	Screw
15	404353	Coin Switch Assembly for U.S. 25¢ Coin	31	904704	Slam Switch Assembly
16	900651	Retainer			

2800 SERIES COIN DOOR EXPLODED VIEW

25¢ U.S. COIN

(FIGURE 6)

PARTS LIST

<u>NO.</u>	<u>CENTURI P/N:</u>	<u>MANUFACTURING P/N:</u>	<u>DESCRIPTION:</u>
1.	50270160	404429	INNER PANEL w/LEVERS SUBASS'Y.
3.	50130062	904782	TOGGLE SWITCH
4.	50270161	904706	TEST SWITCH DECAL
5.	364-62-1000A	-----	CUSTOM HARNESS ASS'Y.
6.	50270162	904822	INSULATION
7.	50270140	404352	COIN COUNTER ASS'Y.
9.	50270163	904722	WIRE KEY HOLDER
10.	50270164	904762	SWITCH COVER
12.	50270165	404354	C.R.E.M. COIL ASS'Y. (12 VOLT D.C.)
17.	50270142	904710-1	SILVER SWITCH WIRE- FOR 25¢ U.S. COIN
18.	50130061	904845	SWITCH
19.	50270143	904701	COIN CHUTE
20.	50270166	904598	COIN RETURN BOX
21.	50270167	404428	SWITCH & C.R.E.M. COIL BRACKET ASS'Y.
22.	50270144	5301-10	25¢ ACCEPTOR
23.	50270168	905115	BAR
25.	50270169	904717	MINIATURE BAYONET-BASE LAMP SOCKET
26.	50270170	904716	#47 LAMP (6.3 VOLTS)
27.	50270171	404418	COIN INLET CHUTE-SUBASS'Y.
31.	50130063	904707	SLAM SWITCH ASSEMBLY

2800 SERIES COIN DOOR EXPLODED VIEW
25¢ U.S. COIN

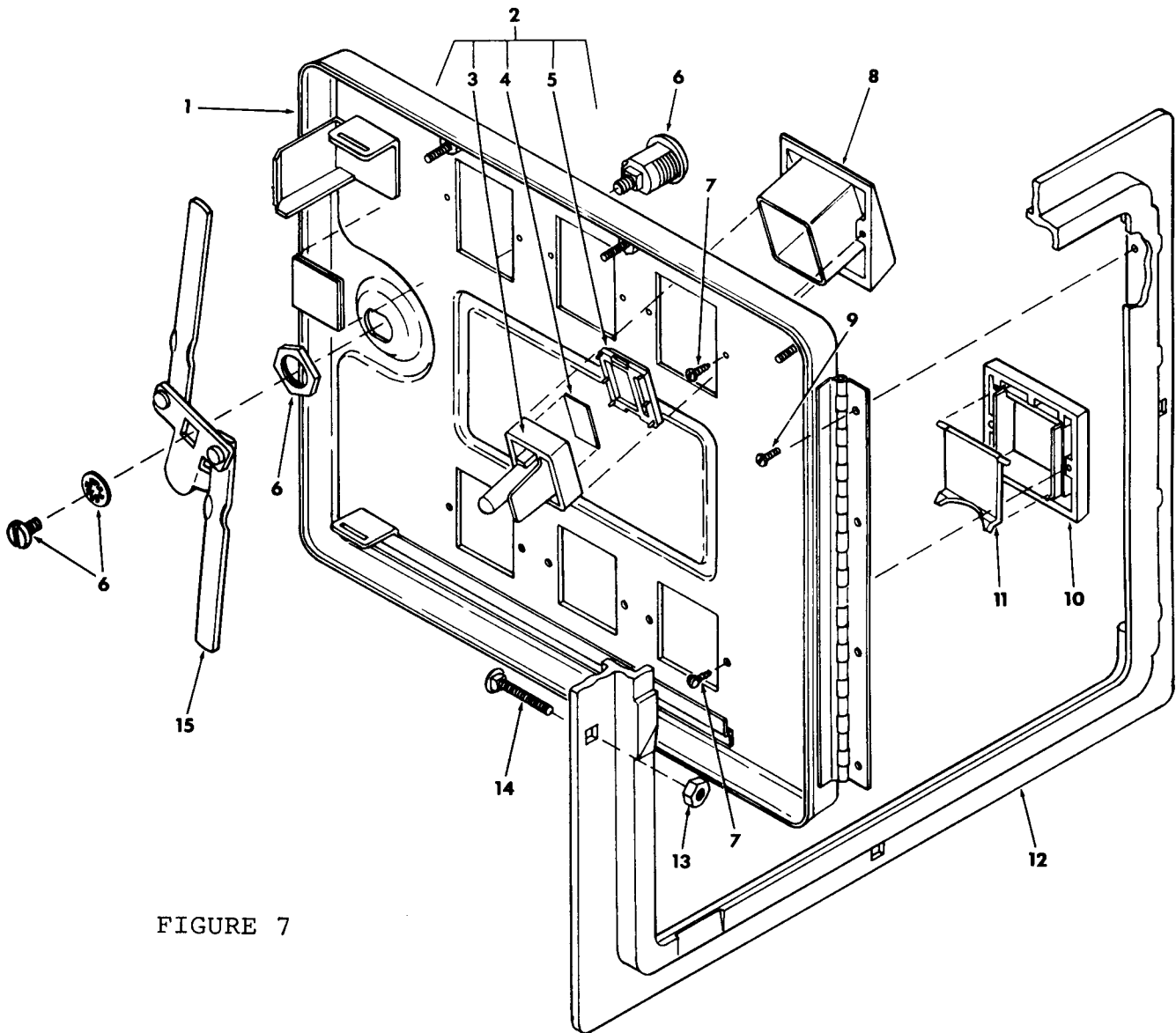


FIGURE 7

Index No.	Part No.	Description	Index No.	Part No.	Description
1	404341	Coin Door Only (2 Coin)	7	345-4-5	Screw
	404341-1	Coin Door Only (3 Coin)	8	904588	Coin Button Housing
2	404348-1	Coin Return Button Assembly for U.S. 25¢ Coin	9	325-4-4	Screw
3	904591	Coin Return Button	10	904590	Coin Return Bezel
4	904703	U.S. 25¢ Price Decal	11	904599	Coin Return Cover
5	904589-2	Coin Return Button Cover for U.S. 25¢ Coin	12	904581	Coin Door Frame, 11-5/8" x 13-3/8" Mounts in a 10-3/8" x 12-3/16" Opening
6	904707-1	Lock Assembly	13	406-416	Hex Nut
			14	904734	Carriage Bolt
			15	404357	Locking Arm Assembly

2800 SERIES COIN DOOR EXPLODED VIEW

25¢ U.S. COIN

(FIGURE 7)

PARTS LIST

<u>NO.</u>	<u>CENTURI P/N:</u>	<u>MANUFACTURING P/N:</u>	<u>DESCRIPTION:</u>
1.	50270152	404341	COIN DOOR ONLY (2 COIN)
2.	50270158	404348-1	COIN DOOR BUTTON ASS'Y. FOR U.S. 25¢ COIN
3.	50270145	904591	COIN RETURN BUTTON
4.	50270146	904703	U.S. 25¢ PRICE DECAL
5.	50270147	904589-2	COIN RETURN BUTTON COVER
6.	50270148	904707-1	LOCK ASSEMBLY w/KEYS
8.	50270149	904588	COIN BUTTON HOUSING (INLET HOUSING)
10.	50270157	904590	COIN RETURN BEZEL
11.	50270150	904599	COIN RETURN COVER
12.	50270151	904581	COIN DOOR FRAME (11 5/8"x13 3/8")
15.	50270159	404357	LOCKING ARM ASSEMBLY

VIDEO RAM & CONTROL BOARD
PARTS LIST

#50330021

NO.	PART NUMBER:	DESCRIPTION:	QNTY.
1.	50010045	74LS157 I.C.	10
2.	50010249	74LS245 I.C.	2
3.	50010261	74LS273 I.C.	2
4.	50010022	74LS86 I.C.	7
5.	50010195	74LS367 I.C.	2
6.	50010222	74LS194 I.C.	4
7.	50010008	74LS20 I.C.	3
8.	50010262	74LS283 I.C.	2
9.	50010035	74LS161 I.C.	6
10.	50010030	74LS174 I.C.	1
11.	50010004	74LS02 I.C.	1
12.	50010105	74LS32 I.C.	1
13.	50010019	74LS74 I.C.	4
14.	50010218	74LS377 I.C.	1
15.	50010139	74LS175 I.C.	1
16.	50010192	74LS139 I.C.	2
17.	50010005	74LS04 I.C.	2
18.	50010007	74LS10 I.C.	1
19.	50010310	2114 I.C.	4
20.	50010185	2716 I.C., ROM	2
21.	50010096	7408 I.C.	2
22.	50010329	2125 I.C.	6
23.	50010002	7400 I.C.	4
24.	50010026	74107 I.C.	1
25.	50030095	330 OHM, 1/4W., 5%, CARBON RESISTOR	2
26.	50030051	1K OHM, 1/4W., 5%, CARBON RESISTOR	6
27.	50030014	270 OHM, 1/4W., 5%, CARBON RESISTOR	2
28.	50040027	.01mfd, 16V., CERAMIC DISC CAPACITOR	27
29.	50040053	100pfd, 25V., CERAMIC DISC CAPACITOR	1
30.	50040171	47pfd, 16V., CERAMIC DISC CAPACITOR	1
31.	50060120	10mfd, 16V., ELECTROLYTIC CAPACITOR	4
32.	50060189	470 mfd, 25V., ELECTROLYTIC CAPACITOR	1
33.	50070013	CRYSTAL, 18.432 MH _z	1
34.	50270003	TY-WRAP, 4"	1
35.	50150256	P.C.B. HEADER, 50 PIN, RIGHT ANGLE	2
36.	50360006	9 PIN RESISTOR PACK(S.I.P.), 1K OHM	1
37.	50150061	24 PIN SOLDER TRAIL SOCKET, LOW PROFILE	2
38.	50210233	PRINTED CIRCUIT BOARD, HT 01B	1

C.P.U. & SOUND BOARDPARTS LIST

<u>NO.</u>	<u>PART NUMBER:</u>	<u>DESCRIPTION:</u>	<u>QNTY.</u>
1.	50010005	74LS04 I.C.	3
2.	50010004	74LS02 I.C.	2
3.	50010248	74LS138 I.C.	5
4.	50010204	74LS393 I.C.	1
5.	50010195	74LS367 I.C.	6
6.	50010010	74LS27 I.C.	1
7.	50010224	74LS259 I.C.	1
8.	50010019	74LS74 I.C.	2
9.	50010192	74LS139 I.C.	1
10.	50010014	74LS42 I.C.	1
11.	50010105	74LS32 I.C.	1
12.	50010028	74LS153 I.C.	1
13.	50010249	74LS245 I.C.	1
14.	50010261	74LS273 I.C.	2
15.	50010264	74LS368 I.C.	4
16.	50010096	7408 I.C.	1
17.	50010002	7400 I.C.	2
18.	50010310	2114 I.C.	4
19.	50010095	7417 I.C.	1
20.	50010332	7051 I.C.	1
21.	50010045	74157 I.C.	2
22.	50010177	AY-3-8910 I.C., SOUND GENERATOR	1
23.	50010187	Z80 I.C., C.P.U.	2
24.	50010171	2716 I.C., ROM	2
25.	50100014	1N914 DIODE	1
26.	50120020	47K OHM, VR-1, POTENTIOMETER	1
27.	50030343	INSULATED ZERO OHM JUMPER RESISTOR	1
28.	50030038	100 OHM, 1/4W., 5%, CARBON RESISTOR	25
29.	50030010	470 OHM, 1/4W., 5%, CARBON RESISTOR	7
30.	50030051	1K OHM, 1/4W., 5%, CARBON RESISTOR	13
31.	50030125	220 OHM, 1/4W., 5%, CARBON RESISTOR	6
32.	50030151	22K OHM, 1/4W., 5%, CARBON RESISTOR	1
33.	50030063	10K OHM, 1/4W., 5%, CARBON RESISTOR	1

C.P.U. & SOUND BOARDPARTS LIST

<u>NO.</u>	<u>PART NUMBER:</u>	<u>DESCRIPTION:</u>	<u>QNTY.</u>
34.	50030163	560 OHM, 1/4W., 5%, CARBON RESISTOR	2
35.	50030084	12K OHM, 1/4W., 5%, CARBON RESISTOR	1
36.	50030017	10 OHM, 1/2W., 5%, CARBON RESISTOR	2
37.	50040027	.01mfd, 16V., CERAMIC DISC CAPACITOR	45
38.	50040171	47pfd, 16V., CERAMIC DISC CAPACITOR	1
39.	50060073	.1mfd, 25V., MYLAR CAPACITOR	1
40.	50050080	.01mfd, 50V., MYLAR CAPACITOR	2
41.	50060060	10mfd, 16V., ELECTROLYTIC CAPACITOR	1
42.	50060160	10mfd, 25V., ELECTROLYTIC CAPACITOR	2
43.	50060002	1mfd, 50V., ELECTROLYTIC CAPACITOR	2
44.	50060139	47mfd, 16V., ELECTROLYTIC CAPACITOR	1
45.	50060214	220mfd, 10V., ELECTROLYTIC CAPACITOR	1
46.	50060040	1K mfd, 25V., ELECTROLYTIC CAPACITOR	1
47.	50060189	470mfd, 25V., ELECTROLYTIC CAPACITOR	1
48.	50060165	10mfd, 25V., DIPPED TANTALUM CAPACITOR	3
49.	50360006	9 PIN RESISTOR PACK (S.I.P.), 1K OHM	4
50.	50150232	PRINTED CIRCUIT BOARD, HT 01A	1
51.	50150061	24 PIN SOLDER TRAIL SOCKET, LOW PROFILE	7
52.	50150060	40 PIN SOLDER TRAIL SOCKET, LOW PROFILE	3
53.	50010330	MB3730, AUDIO AMPLIFIER	1
54.	50130075	4 POSITION DIP SWITCH	2
55.	50070016	CRYSTAL, 10MH _z	1
56.	50090023	HEAT SINK, ALUMINUM ANGLE, 3/4"x7/8"x1/2"x 1/16"	1
57.	50150256	P.C.B. HEADER, 50 PIN, RIGHT ANGLE	3
58.	50010314	2732 EPROM I.C.	5

ELECTRONIC MODULE ASSEMBLY
PARTS LIST

<u>NO.</u>	<u>PART NUMBER:</u>	<u>DESCRIPTION:</u>	<u>QNTY.</u>
1.	50210234	ELECTRONIC MODULE P.C.B	1
2.	50150256	P.C.B. HEADER, 50 PIN, RIGHT ANGLE	1

*NOTE - THIS BOARD IS EPOXY ENCASED. IF IT IS DETERMINED THAT THE CIRCUITRY IS MALFUNCTIONING, THE ENTIRE MODULE ASS'Y. MUST BE PURCHASED, INCLUDING THE RIGHT ANGLE P.C.B. HEADER.

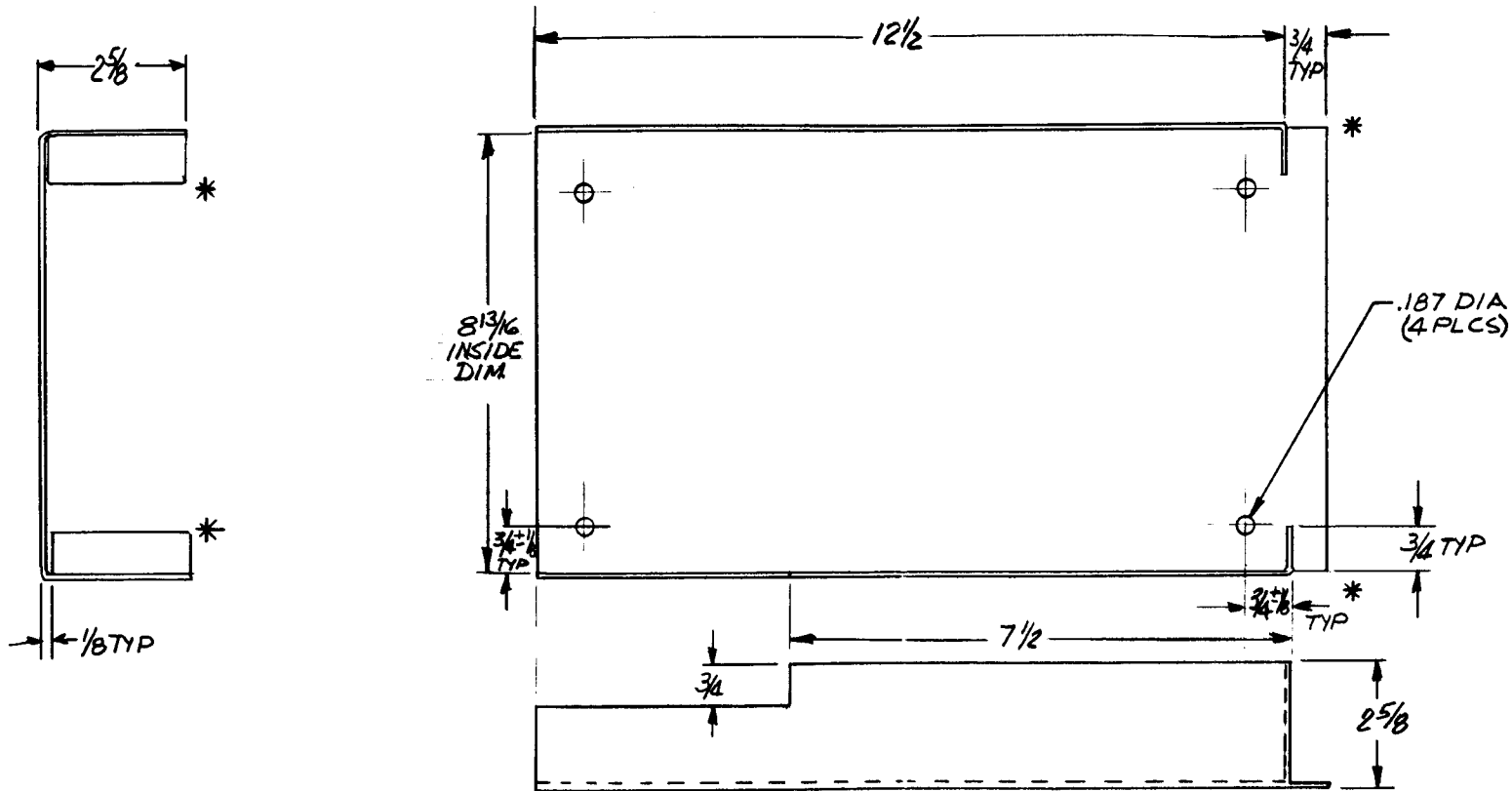
PARTS LIST - SHINDENGEN POWER SUPPLY

<u>SYMBOL:</u>	<u>DESCRIPTION:</u>	<u>USAGE:</u>
T1	TRANSFORMER, SINGLE PHASE, 2A VA	1
L1	CHOKING COIL, 1.6mH, 1.5A	1
L2, L4	CHOKING COIL, SF-T8-50S-03	2
L3	CHOKING COIL, SF-HP-2A-03	1
D1	DIODE, V19G	1
D2	DIODE, V06C	1
D3, D6	DIODE, 1S1588	2
D4	DIODE, S15S3	1
D5, D7	DIODE, 5CH1M	2
D12, D13	DIODE, F113B	2
D14	DIODE, F113B	1
RF1	DIODE, S4VB40 (BRIDGE TYPE)	1
Q1	TRANSISTOR, 2SC2504	1
Q2	TRANSISTOR, 2SD467 (B)	1
Q3	TRANSISTOR, 2SC460 (B)	1
Q4	TRANSISTOR, 2SA673 (B)	1
IC1	INTEGRATED CIRCUIT, RM723DC or HA17723G-02	1
PC1	PHOTO COUPLER, PS2001	1
R1	RESISTOR, 2 WATT, 18 OHM	1
R8, R9	RESISTOR, 2 WATT, 47K OHM	2
R3, 1-4	RESISTOR, 2 WATT, 15 OHM	4
R4	RESISTOR, 1 WATT, 56 OHM	1
R12	RESISTOR, 1 WATT, 100 OHM	1
R28	RESISTOR, 1 WATT, 470 OHM	1
R7	RESISTOR, 1 WATT, 0.56 OHM	1
R26	RESISTOR, 1 WATT, 0.82 OHM	1
R23	RESISTOR, 1/4 WATT, 22 OHM	1
R10	RESISTOR, 1/4 WATT, 33 OHM	1
R27	RESISTOR, 1/4 WATT, 68 OHM	1
R2	RESISTOR, 1/4 WATT, 330-470 OHM	1
R22	RESISTOR, 1/4 WATT, 220 OHM	1
R21	RESISTOR, 1/4 WATT, 270 OHM	1
R6	RESISTOR, 1/4 WATT, 330 OHM	1
R11	RESISTOR, 1/4 WATT, 68 OHM	1
R20	RESISTOR, 1/4 WATT, 470 OHM	1
R17	RESISTOR, 1/4 WATT, 680 OHM	1
R19	RESISTOR, 1/4 WATT, 800 OHM	1
R18	RESISTOR, 1/4 WATT, 1.2K OHM	1
R5	RESISTOR, 1/4 WATT, 10K OHM	1
R16	RESISTOR, 1/4 WATT, 220K OHM	1
R29	RESISTOR, 3 WATT, 27 OHM	1
R39	RESISTOR, 1/4 WATT, 4.7K OHM	1
R38	RESISTOR, 1/4 WATT, 5.6K OHM	1
R24	RESISTOR, 1/4 WATT, 330 OHM	1
R25	RESISTOR, 1/4 WATT, 150 OHM	1
RV1	VARIABLE RESISTOR, RJ-6P501	1

PARTS LIST - SHINDENGEN POWER SUPPLY

<u>SYMBOL:</u>	<u>DESCRIPTION:</u>	<u>USAGE:</u>
C1, C2	CAPACITOR, ECK-DAL102E	2
C3-1,-2	CAPACITOR, 160VSN100	2
C9, C10	CAPACITOR, SM10VB-2200	2
C11, C23	CAPACITOR, SM10VB-2200	2
C12, C13, C15	CAPACITOR, SL25VB-10	3
C27	CAPACITOR, SL25VB-10	1
C18, C19, C20	CAPACITOR, SM35VB-1000	3
C26	CAPACITOR, SM35VB-1000	1
C21, C22, C25	CAPACITOR, SM16VB-1000	3
C5	CAPACITOR, DMY21H472K	1
C6	CAPACITOR, DMY21H104K	1
C14, C16	CAPACITOR, DMY21H222K	2
C4	CAPACITOR, CM20XC511K5	1
C8	CAPACITOR, MDD22G473K	1
C5-2	CAPACITOR, DMY21H222K	1
F1, F2	ENCLOSED TYPE FUSE, 3A	2

THE MATERIAL CONTAINED HEREIN IS CONFIDENTIAL
AND NO PART OF IT CAN BE REPRODUCED WITHOUT THE
EXPRESSED PERMISSION OF CENTURI, INC.

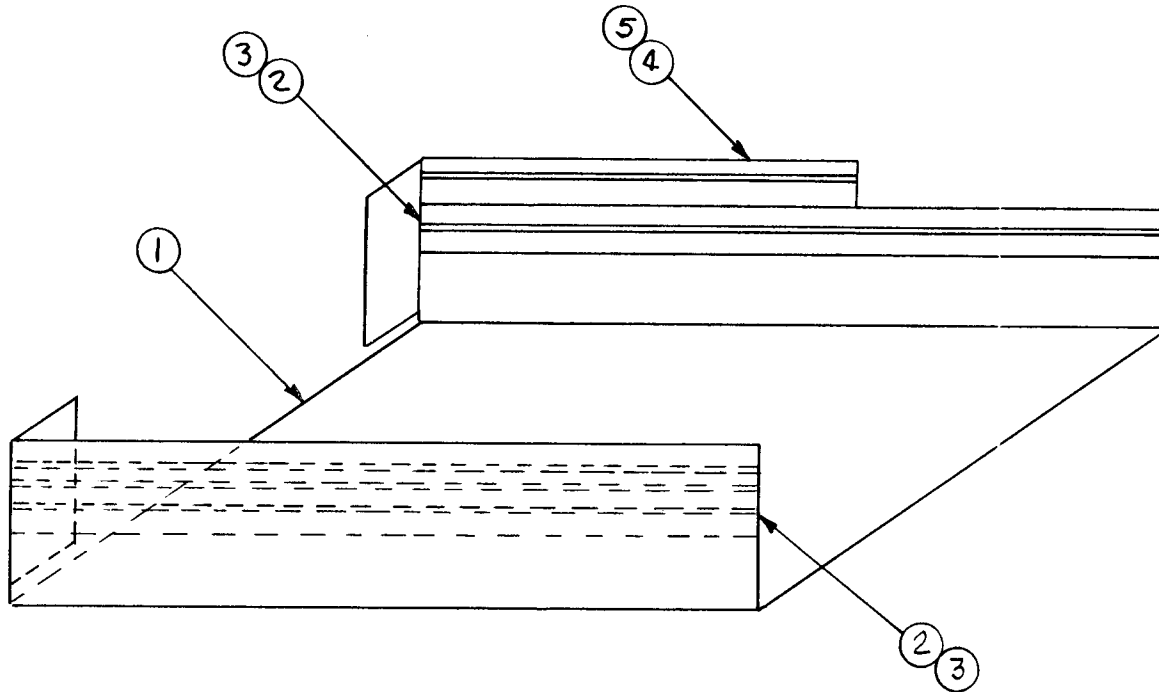


NOTE : USE 3/16 OR
1/4 RAD. AT THE
CORNERS MARKED *

		1	377-01-0300
QC. APV'D	PROD. APV'D	QTY.	ASSEMBLY NO

TOLERANCES				centuri		HIALEAH, FLORIDA 33014		
Unless Otherwise Specified				NAME				
FRACTIONS	±	1/32	C.P.U. SHIELD & BRACKET					
DECIMALS 2 PL	±	.015	MATERIALS				HEAT TREAT.	
DECIMALS 3 PL	±	.005	18 GA GALV.				FINISH	
HOLES	±	.003	DWN				SCALE	
ANGLES	±	1/2°	AAN				PART NO.	
SHT. MET BENDS	±	2°	DATE				REV.	
			10-8-81				377-03-0100	

THE MATERIAL CONTAINED HEREIN IS CONFIDENTIAL
AND NO PART OF IT CAN BE REPRODUCED WITHOUT THE
EXPRESSED PERMISSION OF CENTURI, INC.



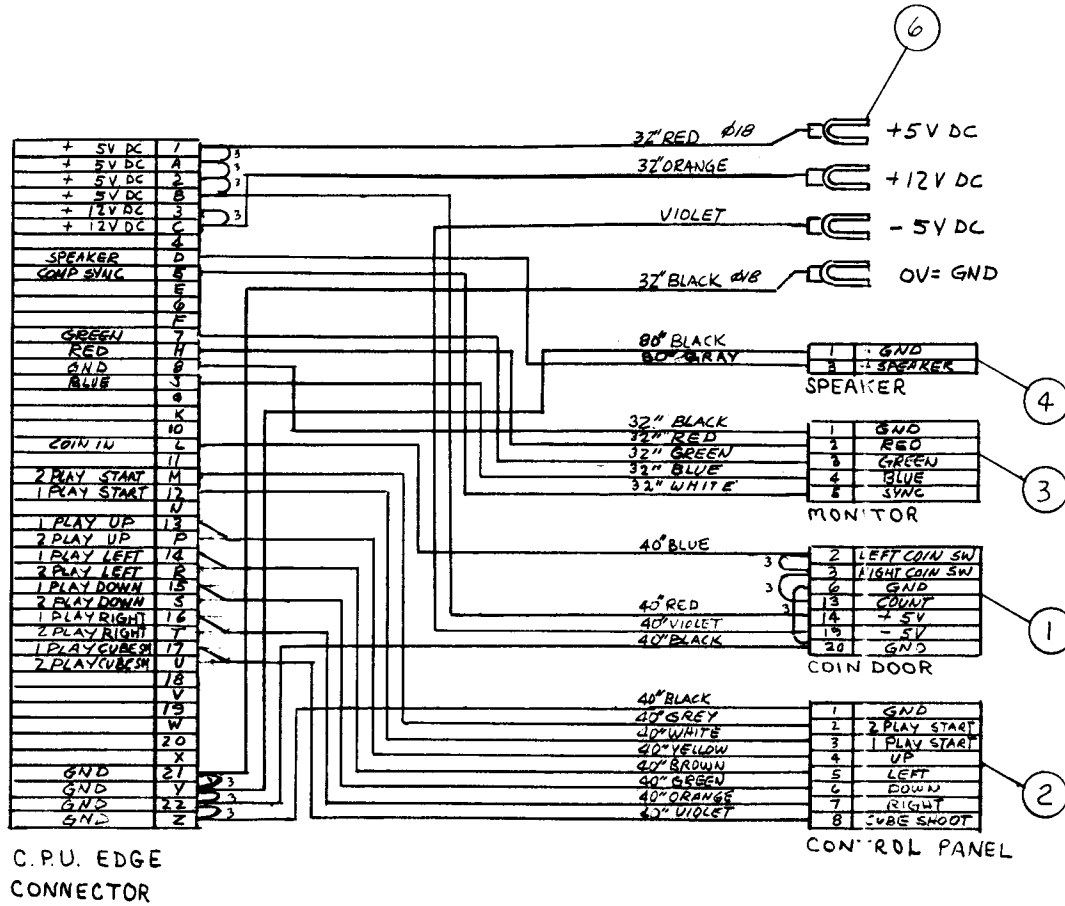
5	1	377-10-0400	DOUBLE SIDED TAPE 3/4W X 1/32TK X 7 1/2 LG
4	1	377-10-0300	P.C.B. VINYL GUIDE GRAY SLIDE 7 1/2 LG
3	3	359-10-0200	DOUBLE SIDED TAPE 3/4W X 1/32TK X 12 1/2 LG
2	3	364-10-0100	P.C.B. VINYL GUIDE GRAY SLIDE 12 1/2 LG
1	1	377-03-0100	CPU SHIELD & BRACKET
ITEM	QTY	PART N°	DESCRIPTION

BILL OF MATERIALS

QC. APV'D	PROD. APV'D	QTY.	ASSEMBLY NO
		1	377-01-0200

REV. LET.	ECN NO.	REVISION	BY	TOLERANCES	centuri inc. HIALEAH, FLORIDA 33014			
				Unless Otherwise Specified	NAME CPU HOLDING ASSY			
				FRACTIONS ± 1/32	MAT'L'S SEE ABOVE		HEAT TREAT.	FINISH
				DECIMALS 2 PL ± .015	DWN. AAN		DATE 10-8-81	SCALE 377-01-0300
				DECIMALS 3 PL ± .006				REV.
				HOLES + .003				
				ANGLES ± 1/2°				
				SHT. MET BENDS ± 2°				

THE MATERIAL CONTAINED HEREIN IS CONFIDENTIAL AND NO PART OF IT CAN BE REPRODUCED WITHOUT THE EXPRESSED PERMISSION OF CENTURI, INC.



ITEM	QTY	PART NO	DESCRIPTION
22	18	50270003	TY-WRAP, 4"
21	72"	50170006	INSULATED WIRE WHITE 22 AWG
20	120"	50178806	" " " GREY 22 AWG
19	80"	50177706	" " " VIOLET 22 AWG
18	78"	50176606	" " " BLUE 22 AWG
17	72"	50175506	" " " GREEN 22 AWG
16	40"	50174406	" " " YELLOW 22 AWG
15	75"	50173306	" " " ORANGE 22 AWG
14	81"	50172206	" " " RED 22 AWG
13	40"	50171106	" " " BROWN 22 AWG
12	204"	50179906	" " " BLACK 22 AWG
11	32"	50179904	" " " BLACK 18 AWG
10	32"	50172204	INSULATED WIRE, RED 18 AWG
9	24	50150318	CRIMP TERMINAL, MOLEX#08-03-0303
8	7	50150269	SOCKET TERMINAL, AMP# 350665-1
7	15	50150223	SOCKET TERMINAL, MOLEX#02-09-1116
6	4	50150293	INSULATED OPEN LUG
5	1	50150320	44 PIN (DUAL 22) EDGE CONN, MOLEX#09-50-5225
4	1	50150231	3 PIN RECEPTACLE MOLEX#03-09-1031
3	1	50150262	6 PIN RECEPTACLE, MOLEX#03-09-1061
2	1	50150263	12 PIN RECEPTACLE, MOLEX#03-09-1125
1	1	50150268	24 PIN RECEPTACLE, AMP#1-350246-9

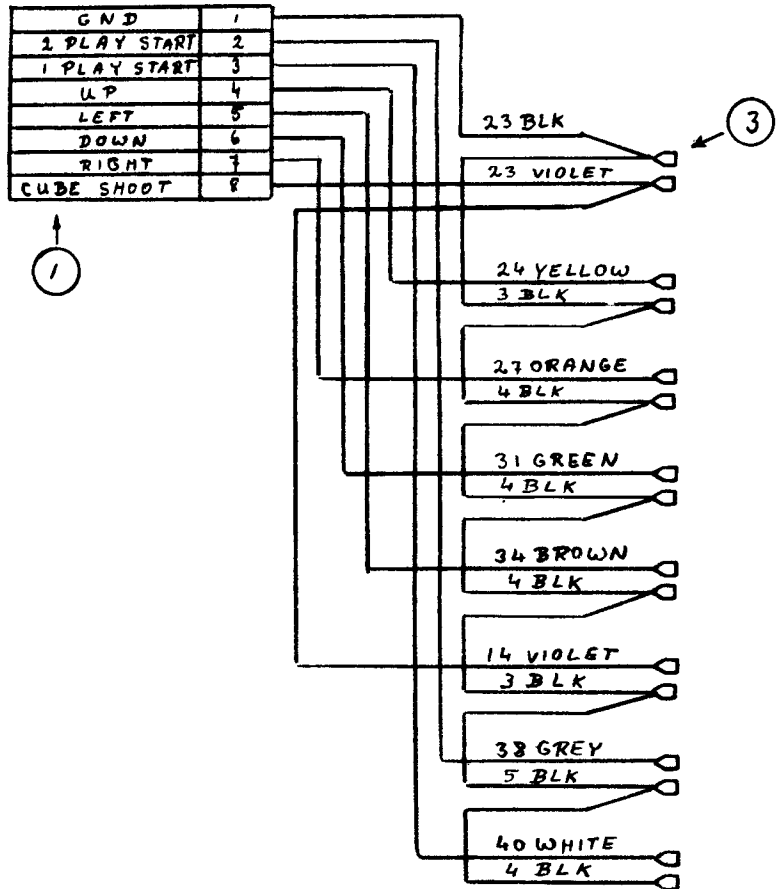
BILL OF MATERIALS

QC. APV'D	PROD. APV'D	QTY.	ASSEMBLY NO
		1	377-01-0200

REV. LET.	ECN NO.	REVISION	BY	TOLERANCES	NAME	MAT'L'S	HEAT TREAT.	FINISH
				Unless Otherwise Specified	centuri HIALEAH, FLORIDA 33014	SEE ABOVE		
B	377-04	CHANGE 80" GRN 22 AWG SPEAKER WIRE TO 80" GRAY 22 AWG.	JTS	FRACTIONS ± 1/32				
A	377-01	CHANGE PART NO. ITEM 1 FROM 50150318 TO 50150268	JTS	DECIMALS 2 PL ± .015				
				DECIMALS 3 PL ± .003				
				ANGLES ± 1/2°	DWN.	DATE	SCALE	PART NO.
				SHT. MET BENDS ± 2°	AAH	10-8-81	2	377-12-0100
								REV.
								B

AF 17899B

THE MATERIAL CONTAINED HEREIN IS CONFIDENTIAL AND NO PART OF IT CAN BE REPRODUCED WITHOUT THE EXPRESSED PERMISSION OF CENTURI, INC.



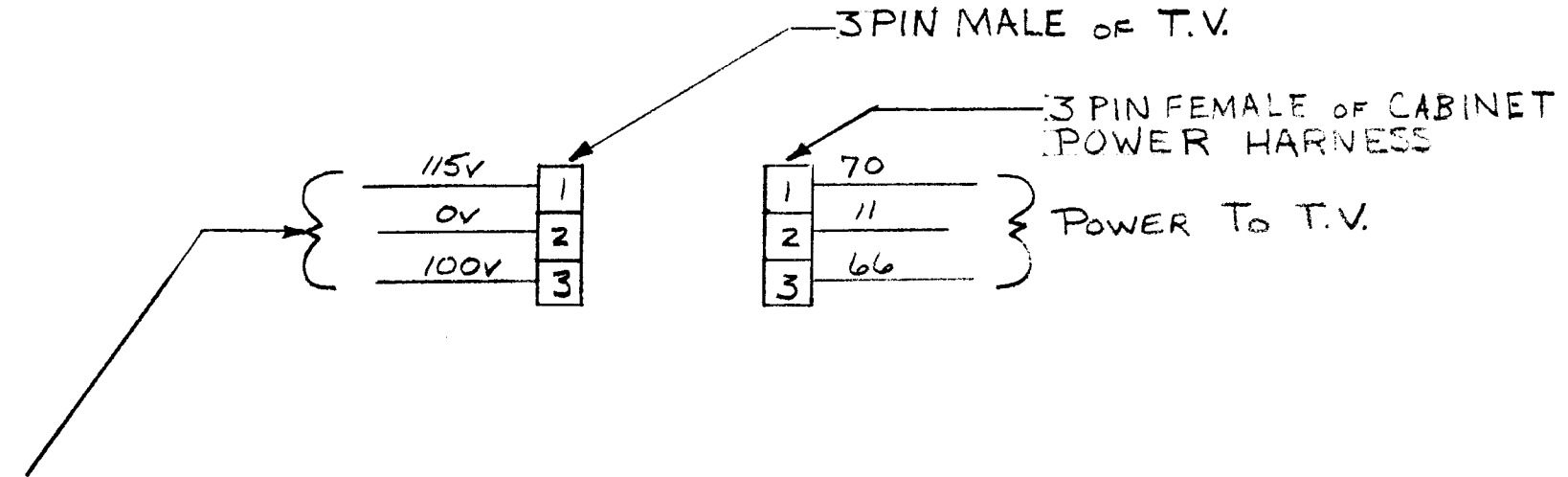
BILL OF MATERIALS			
ITEM	QTY	PART NO	DESCRIPTION
1	1	50150261	12 PIN PLUG, MOLEX # 03-09-2122
2	8	50150222	PIN TERMINAL, MOLEX # 02-09-2116
3	16	50150029	3/16" PUSH-ON TERMINAL
4	10	50270003	TY-WRAP, 4"
5	50	50179906	INSULATED WIRE, BLACK, 22 AWG
6	34	50171106	" BROWN "
7	27	50173306	" ORANGE "
8	24	50174406	" YELLOW "
9	31	50175506	" GREEN "
10	38	50178806	" GREY "
11	40	50170006	" WHITE "
12	37	50177706	" VIOLET "

		1	377-01-0700
QC. APV'D	PROD. APV'D	QTY.	ASSEMBLY NO

REV. LET.	ECN NO.	REVISION	BY	TOLERANCES Unless Otherwise Specified		centuri ^{inc.} HIALEAH, FLORIDA 33014	
				FRACTIONS	± 1/32	NAME CONTROL PANEL HARNESS.	
				DECIMALS 2 PL	± .015	MATERIALS SEE E.L.M.	
				DECIMALS 3 PL	± .005	HEAT TREAT.	
				HOLES	+ .003	FINISH	
					- .001	SCALE	
				ANGLES	± 1/2'	DATE 10-8-81	
				SHT. MET BENDS	± 2'	PART NO. 377-12-0400	
						REV.	

AF 17899A

THE MATERIAL CONTAINED HEREIN IS CONFIDENTIAL
AND NO PART OF IT CAN BE REPRODUCED WITHOUT THE
EXPRESSED PERMISSION OF CENTURI, INC.



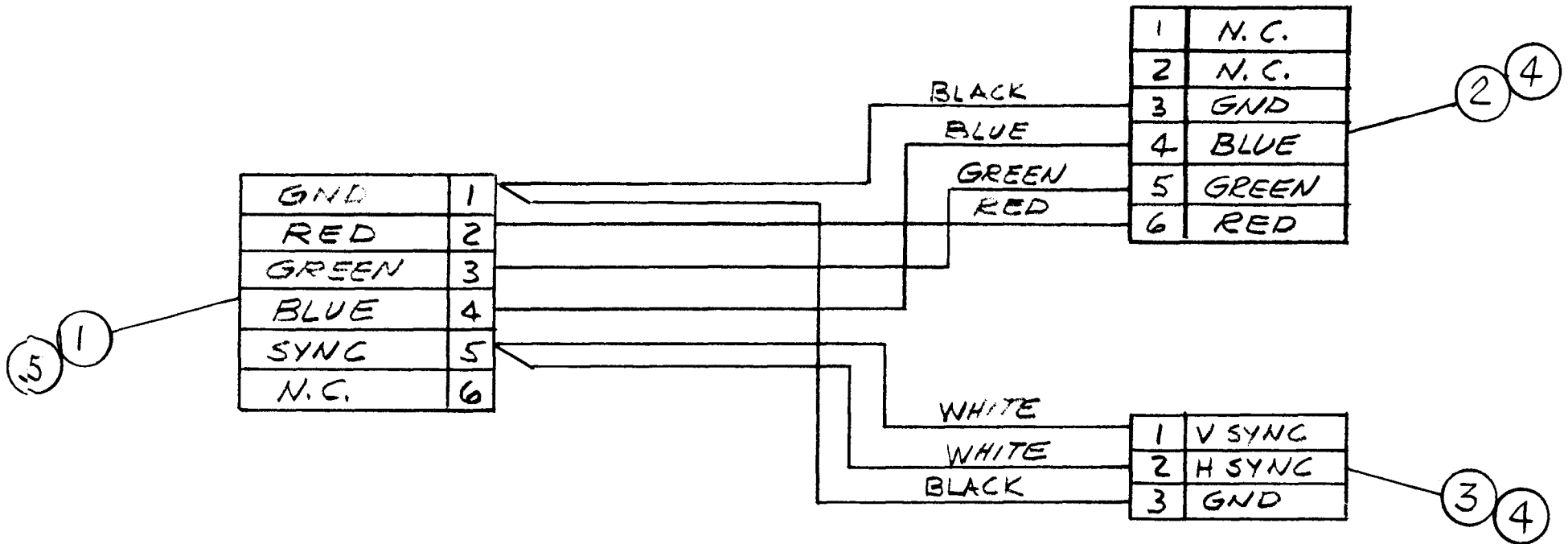
PINS 1 & 2 ARE USED ON
ELECTROHOME & WELLS-GARDNER
PINS 2 & 3 ARE USED ON
TOEI & SANYO

QC. APV'D	PROD. APV'D	QTY.	ASSEMBLY NO

				TOLERANCES		centuri ^{inc.}					
				Unless Otherwise Specified		HIALEAH, FLORIDA 33014					
				FRACTIONS	± 1/32	NAME MONITOR POWER OPTIONS					
				DECIMALS 2 PL	± .015						
				DECIMALS 3 PL	± .005						
				HOLES	+ .003	MATERIALS		HEAT TREAT.		FINISH	
				ANGLES	± 1/2°	DWN. VAP		APP'D. [Signature]		DATE 5-8-81	
REV. LET.	ECN NO.	REVISION	BY	SHT. MET BENDS	± 2'	SCALE		PART NO. 370-10-0300		REV.	

AF 17899A

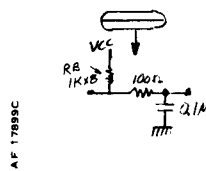
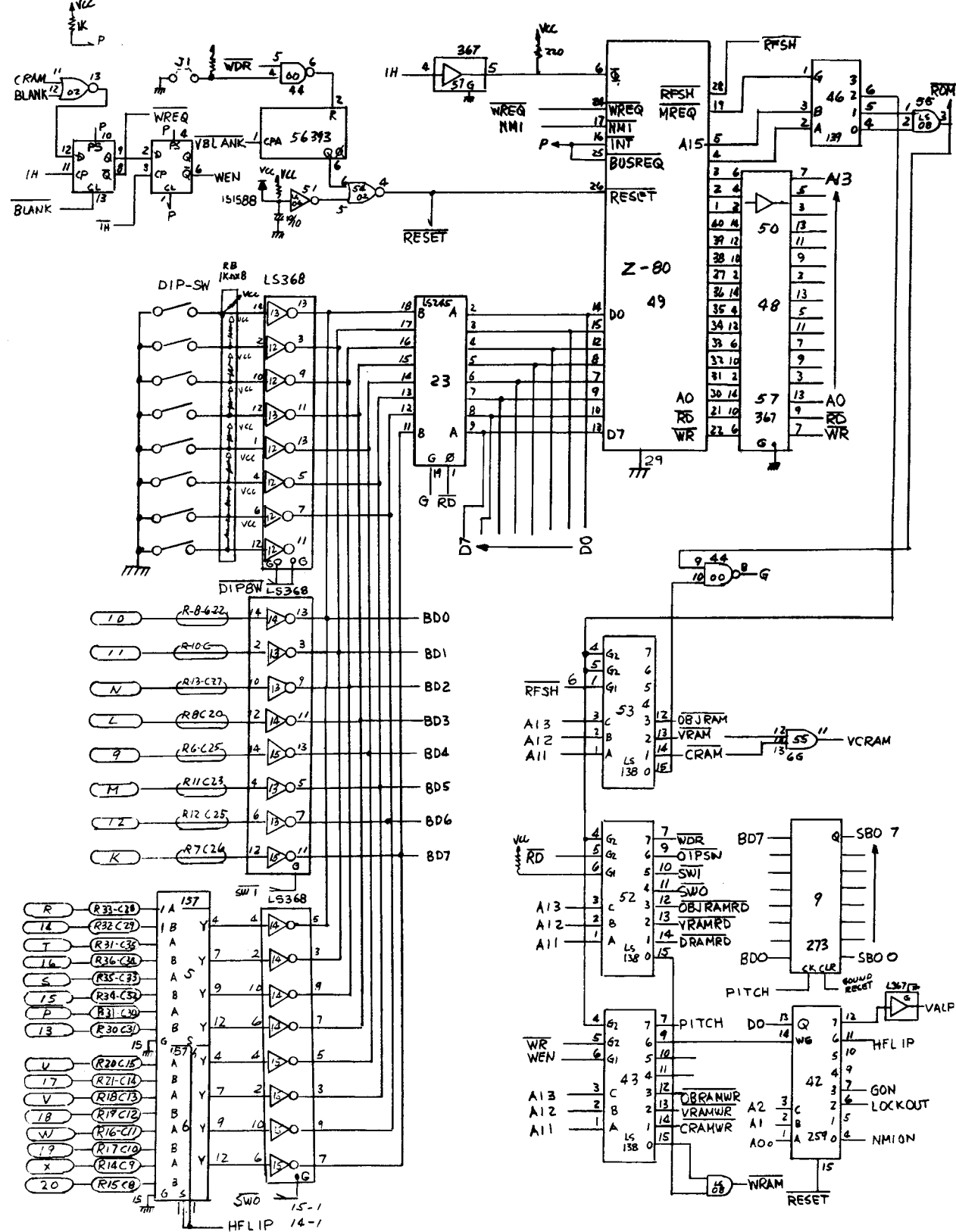
NOTE ALL WIRES 22 AWG., 12" LONG



5	5	50150222	CRIMP TERMINAL, MALE, REEL	MOLEX					
4	7	50150274	CRIMP TERMINAL	MOLEX					
3	1	50150301	CRIMP TERMINAL HOUSING 3 PIN	MOLEX					
2	1	50150303	CRIMP TERMINAL HOUSING 6 PIN	MOLEX			1	377-01-0200	
1	1	50150260	PLUG, 6 PIN	MOLEX			1	364-01-0200	
ITEM	QTY	PART NO	DESCRIPTION	MFG	QC. APV'D	PROD. APV'D	QTY.	ASSEMBLY NO	
				TOLERANCES					
				Unless Otherwise Specified		centuri HIALEAH, FLORIDA 33014			
D		CHANGES PART NO. OF ITEM 4 FROM 50150104 TO 50150274	J.T.S.	FRACTIONS	±	1/32	NAME ELECTROHOME MONITOR SIGNAL HARNESS		
E	?	?	?	DECIMALS 2 PL	±	.015	MATL'S. SEE ABOVE HEAT TREAT. FINISH		
C	364-37	CHG'D CRIMP TERM. HOUSING + ISSUE BILL OF MATERIAL	J.T.S.	DECIMALS 3 PL	±	.005	OWN. AAN APP'D. <i>WJ</i> DATE 5-22-81 SCALE ≠ PART NO. 364-12-0500 REV. D		
				HOLES	+	.003			
					-	.001			
REV. LET.	ECN NO.	REVISION	BY	ANGLES	±	1/2°			
				SHT. MET BENDS	±	2°			

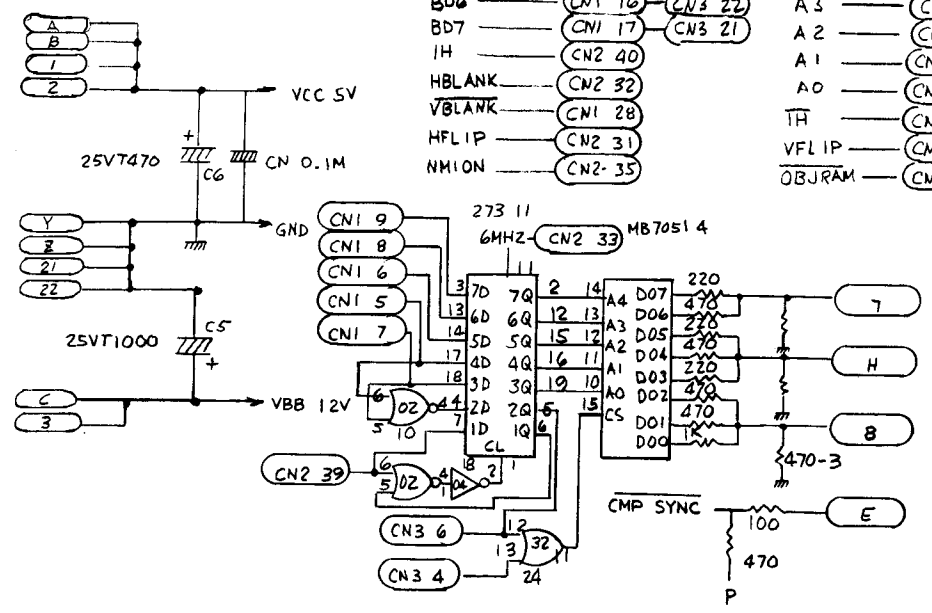
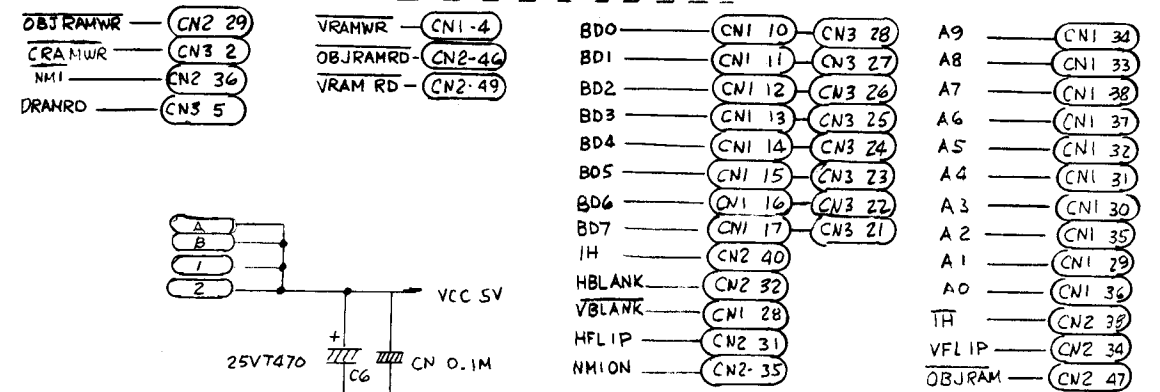
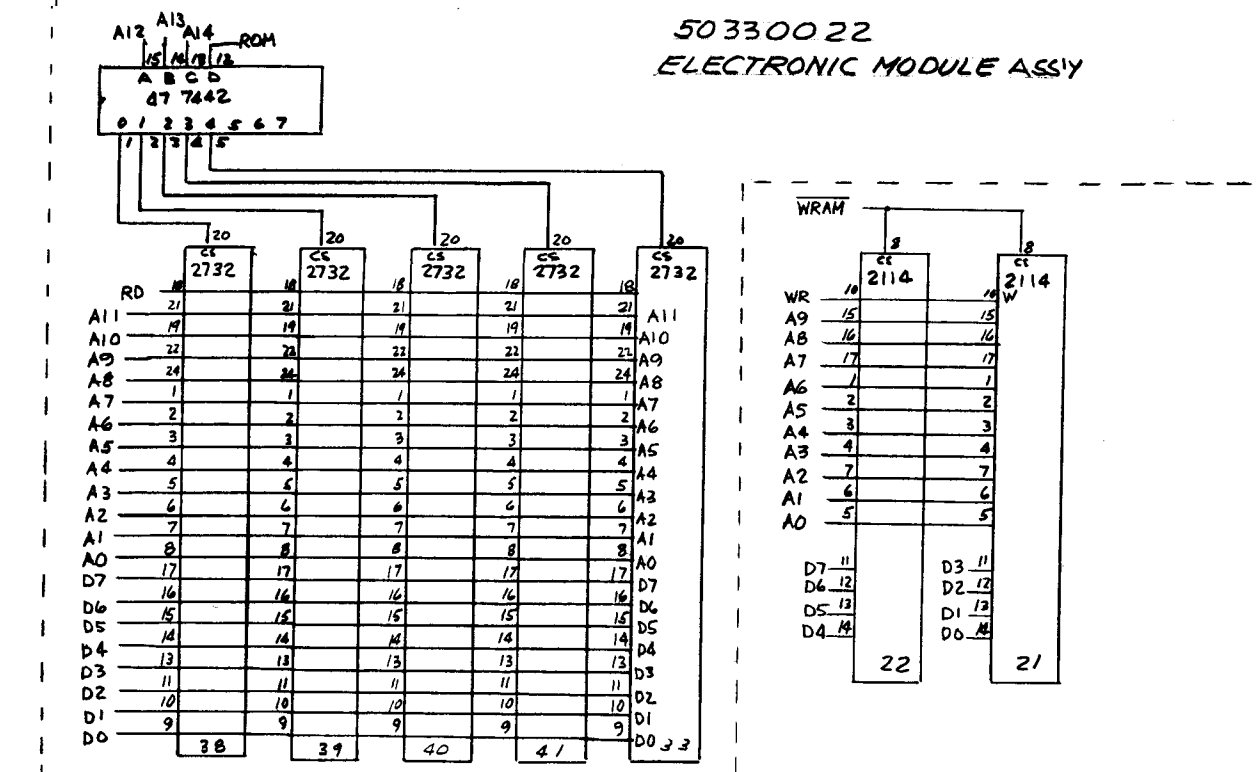
A.F. 57883A

THE MATERIAL CONTAINED HEREIN IS CONFIDENTIAL AND NO PART OF IT CAN BE REPRODUCED WITHOUT THE EXPRESSED PERMISSION OF CENTURI, INC.



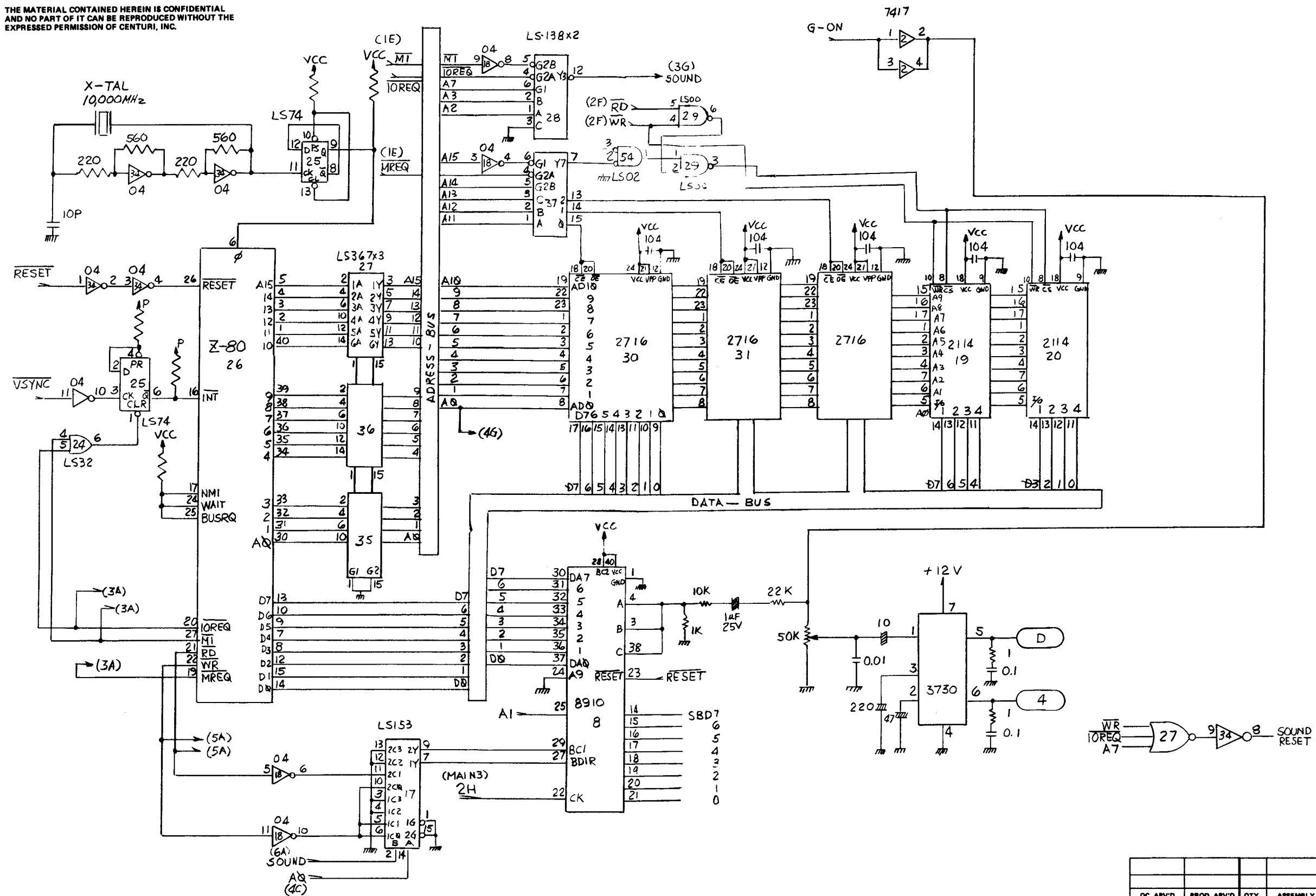
AF 17895C

50330022
ELECTRONIC MODULE ASSY



REV. LET.	ECN NO.	REVISION	BY	TOLERANCES	QC. APV'D	PROD. APV'D	QTY.	ASSEMBLY NO
				Unless Otherwise Specified				
				FRACTIONS ± 1/32	centuri NAME: P.C.B. ASSY HTO1A HIALEAH, FLORIDA 33014 MAT'L'S: _____ HEAT TREAT: _____ FINISH: _____ DWN: AAN APP'D: [Signature] DATE: 10-14-81 SCALE: _____ PART NO: 50330020 REV: _____			
				DECIMALS 2 PL ± .015				
				DECIMALS 3 PL ± .006				
				HOLES ± .001				
				ANGLES ± 1/2°				
				SHT. MET BENDS ± 2°				

THE MATERIAL CONTAINED HEREIN IS CONFIDENTIAL AND NO PART OF IT CAN BE REPRODUCED WITHOUT THE EXPRESSED PERMISSION OF CENTURI, INC.

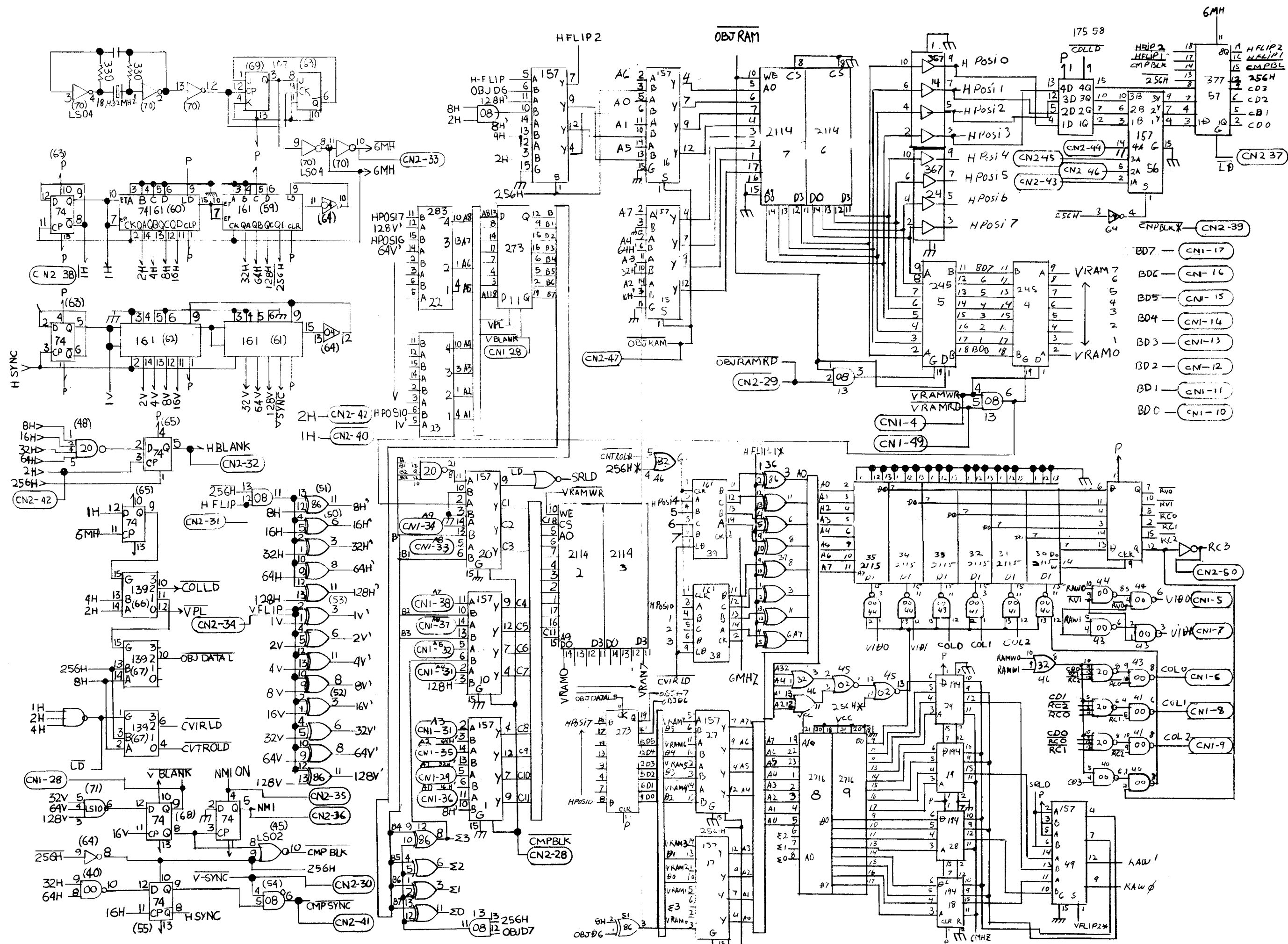


QC. APV'D	PROD. APV'D	QTY.	ASSEMBLY NO
-----------	-------------	------	-------------

REV. LET.	ECN NO.	REVISION	BY	TOLERANCES	NAME	DATE	SCALE	PART NO.	REV.
				Unless Otherwise Specified	P.C.B. ASSY.-HT01A	10/2-81		S0330020	
				FRACTIONS ± 1/32					
				DECIMALS 2 PL ± .015					
				DECIMALS 3 PL ± .005					
				HOLES + .003					
				ANGLES - .001					
				ANGLES ± 1/2°					
				SHT. MET BENDS ± 2°					

AF 17895C

THE MATERIAL CONTAINED HEREIN IS CONFIDENTIAL AND NO PART OF IT CAN BE REPRODUCED WITHOUT THE EXPRESSED PERMISSION OF CENTURI, INC.

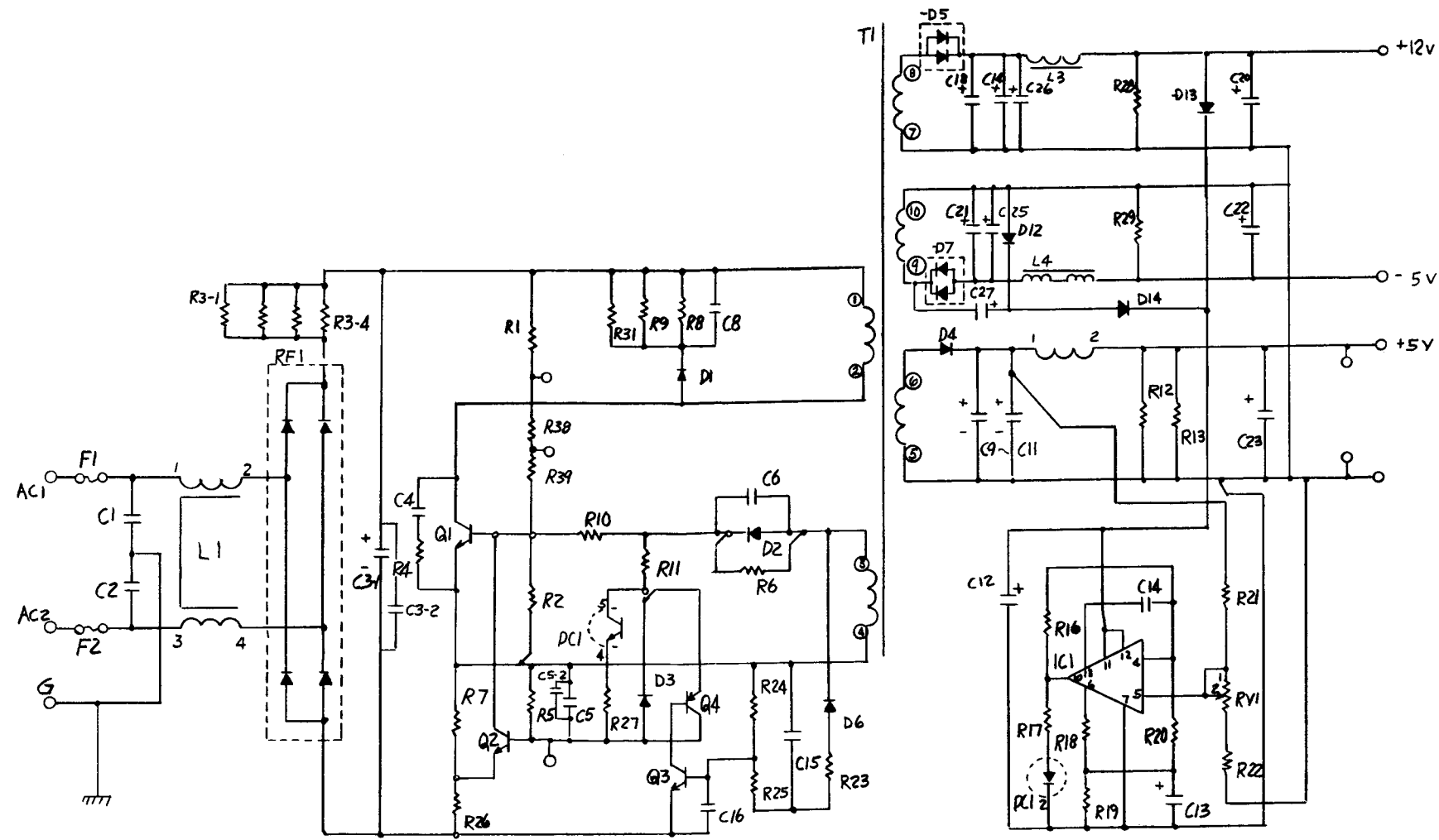


- BD7 - CN1-17
- BDC - CN1-16
- BD5 - CN1-15
- BD4 - CN1-14
- BD3 - CN1-13
- BD2 - CN1-12
- BD1 - CN1-11
- BD0 - CN1-10

QC. AP'VD	PROD. AP'VD	QTY.	ASSEMBLY NO.

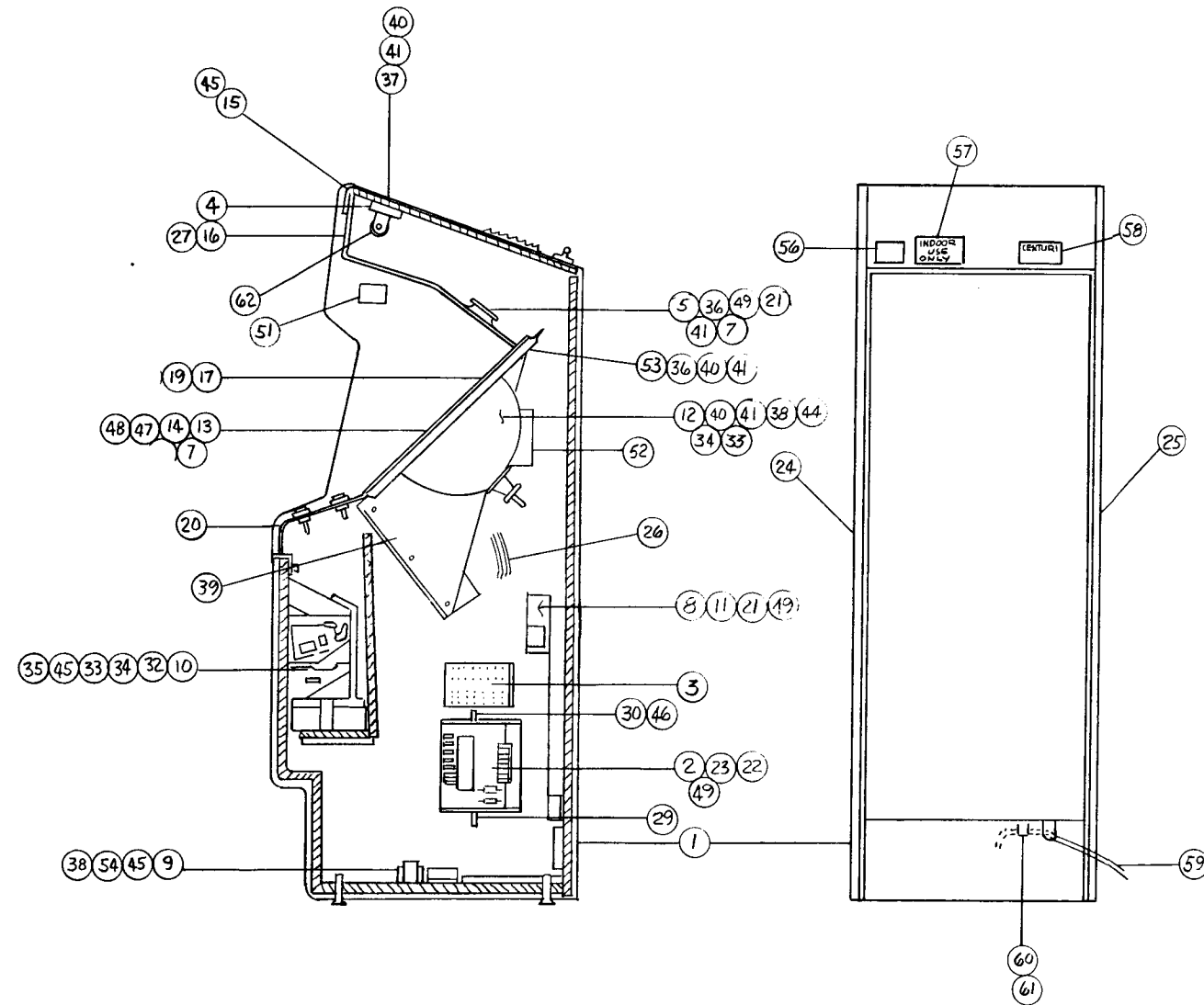
TOLERANCES				CENTURI		MIALEAH, FLORIDA 33014	
Unless Otherwise Specified				NAME: PCB ASS'Y HTOIB		MATERIALS FINISH	
FRACTIONS	± 1/32	DATE	SCALE	DATE	SCALE	DATE	SCALE
DECIMALS 2 PL.	± 0.15	REV. LET.	ECN NO.	REVISION	BY		
DECIMALS 3 PL.	± 0.06						
HOLES	± 0.03						
ANGLES	± 1/2°						
SHY. MET BENDS	± 2°						

REVISIONS						
REV. LETTER	ITEM NO.	ECN NO.	DESCRIPTION	DISPOSITION OF EXISTING PARTS		ENGR'S APP'D
				RE-WORK	SCRAP	



BRUNING 40-21 19207

TOLERANCES		centuri		HIALEAH, FLORIDA 33014	
UNLESS OTHERWISE SPECIFIED		TITLE:		REV.	
FRACTIONS	± 1/32	SHINDENGEN POWER SUPPLY SCHEMATIC		DWN	APP'D
DECIMALS	± .03			DATE	SCALE
DECIMALS	± .010			1-17-81	DWG NO.
HOLES	± .000			363-17-0300	
ANGLES	± 1/2°				



62	1	50180031	FLOURESCENT BULB 15WATT
61	12"	244-B-G	DOUBLE SIDED TAPE
60	1	50270007	3/8" CABLE CLAMP
59	1	50270095	GROUND WARNING LABEL
58	1	50270155	CENTURI SERIAL NUMBER TAG
57	1	50270184	FOR INDOOR USE ONLY LABEL
56	1	50270185	DISCONNECT POWER CORD... LABEL
55	1	50270187	CENTURI CABINET CARD
54	1	380-01-0700	110-VOLT 220VOLT JUMPER ASSY
53	1	361-03-0100	GLASS HOLDING BRKT.
52	1	380-01-0500	MANUAL & SCHEMATIC ASSY
51	1	364-06-0500	F.C.C. LABEL
50	1/2		STAPLES
49	25	50270012	WIRE TYS 5/2"
48	6"	50270121	VELCRO LOOP ADHESIVE FASTENER
47	6"	50270120	VELCRO HOOK ADHESIVE FASTENER
46	1	10100001	#8-32x3/8 THUMB SCREW
45	25	10040031	#8x5/8 PA/PH/MS
44	4	10120003	1/4-20x1/2 MACHINE BOLT HEX HEAD
43	5	10170002	#10-24 WING NUT
42	6	10200005	#10 SPLIT LOCK WASHER
41	14	10190009	#10 FLAT WASHER
40	11	10150007	10-24 KEP NUT
39	4	10010151	10-24x3/4 PA/PH/MS
38	2	10010101	10-24x1" ED/PH/MS
37	2	10111010	10-24x1 1/4 CARRIAGE BOLT BLACK OXIDE
36	8	10111008	10-24x1" CARRIAGE BOLT BLACK OXIDE
35	1	10111006	1/4-20x3/4 CARRIAGE BOLT BLACK OXIDE
34	4	10190014	1/4-20 FLAT WASHER
33	18	10150006	1/4-20 KEP NUT
32	13	10111110	1/4-20x1 1/4 CARRIAGE BOLT BLACK OXIDE
31	2	366-03-0400A	MONITOR MOUNTING BRKT
30	1	364-03-0400	C.P.U. SHEILD LOCKING BRKT
29	1	364-03-0300	C.P.U. SHEILD REINFORCING BRKT
28	REF	235-B-28A	REF VINYL TRIM
27	2	361-10-0200	VINYL TRIM 7/8"
26	1	364-12-0500D	ELECTROHOME OR WELLS GARDNER MONITOR SIGNAL HARNESS
25	1	380-06-0300	RIGHT SIDE DECAL
24	1	380-06-0200	LEFT SIDE DECAL
23	1	380-0-0200	P.C.B. ASSY (MODIFIED)
22	1	377-12-0100B	C.P.U. HARNESS
21	1	364-01-1400	FUSE COVER ASSY
20	1	380-14-0200	CONTROL PANEL WIRED ASSY
19	1	380-06-0500	MONITOR OVERLAY (SILKSCREEN)
18	REF	361-08-0600A	REF. VIEWING GLASS
17	1	361-04-1000	VIEWING GLASS
16	1	380-06-0100	MARQUEE PANEL (SILKSCREEN)
15	1	343-03-0200	TOP ANGLE HOLD DOWN BRKT
14	1	375-10-0300	MONITOR BEZEL
13	1	375-03-0200	GLASS HOLDING BRKT. (BACK)
12	1	502500210x24	19" COL. MONITOR
11	1	370-12-0200B	CABINET POWER HARNESS ASSY
10	1	360-14-0700	COINCO COIN DOOR
9	1	371-14-0700A	ISOLATION TRANSFORMER WIRED ASSY
8	1	361-14-0100C	A.C. LINE DISTRIBUTION WIRED ASSY
7	1	378-14-0500	SPEAKER WIRING ASSY
6	REF	360-08-0900	REFERENCE "SPEAKER SCREEN"
5	1	361-03-0300	SPEAKER SCREEN
4	1	361-14-0300A	FLOURESCENT LAMP & SWITCH WIRED ASSY
3	1	377-01-0500DR100	POWER SUPPLY ASSY
2	1	377-01-0800	C.P.U. HOLDING ASSY
1	1	375-01-0900A	WOOD CABINET ASSY

ITEM QTY PART N° DESCRIPTION
BILL OF MATERIALS

REV. LET.	ECN NO.	REVISION	BY	DATE	SCALE	PART NO.	FINISH	HEAT TREAT.	ASSEMBLY NO.
						380-01-0200			

TOLERANCES
Unless Otherwise Specified

FRACTIONS	± 1/32
DECIMALS 2 PL	± .015
DECIMALS 3 PL	± .006
Holes	± .001
ANGLES	± 1/2°
BHT, MET BENDS	± 2°

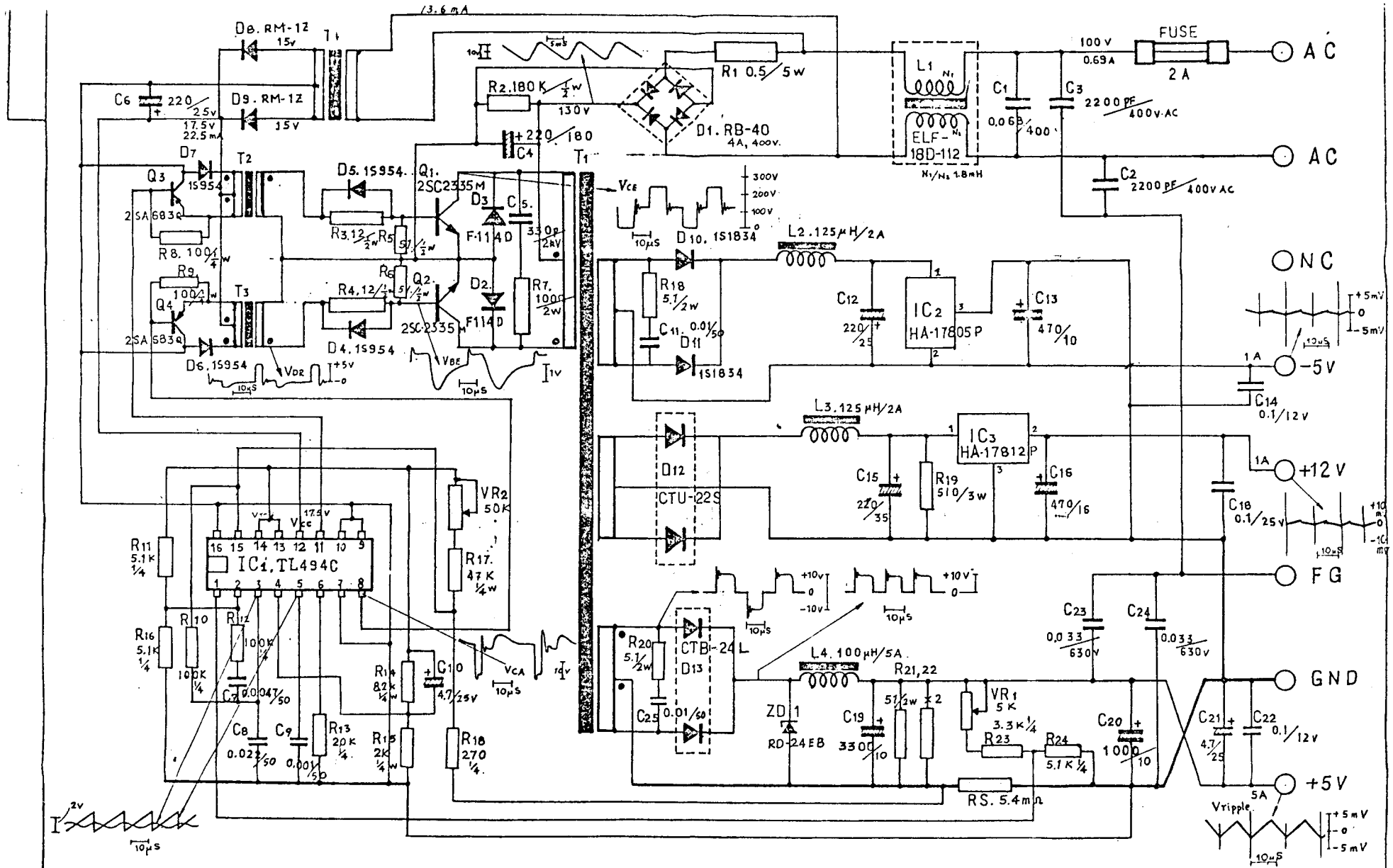
centuri. HIALEAH, FLORIDA 33014
NAME: COMPLETE GAME LESS PKG
MATERIALS: HEAT TREAT. FINISH: DRN
DATE: JAN 11 1982 SCALE: 380-01-0200 REV.

PSR-5110 SWITCHING POWER SUPPLYPARTS LIST

<u>SYMBOL:</u>	<u>DESCRIPTION:</u>	<u>QNTY.</u>
D1	STACK DIODE	1
D8, D9	RECTIFIER	2
D2, D3	HIGH SPEED DIODE	2
D4, D5, D6, D7	HIGH SPEED DIODE	4
D13	HIGH SPEED DIODE	1
D12	HIGH SPEED DIODE	1
D10, D11	HIGH SPEED DIODE	2
ZD1	ZENER DIODE	1
Q1, Q2	TRANSISTOR	2
IC1	I.C.	1
IC2	I.C.	1
IC3	I.C.	1
T1	PULSE POWER TRANSFORMER	1
T2, T3	PULSE DRIVE TRANSFORMER	2
T4	BIAS TRANSFORMER	1
L2, L3	R.F. CHOK TRANSFORMER	2
L4	R.F. CHOK TRANSFORMER	1
L1	A.C. LINE FILTER	1
C2, C3	LINE BY-PASS CONDENSER	3
C1, C23, C24	METALIZED POLIESTER CONDENSER	3
C9	MYLAR CONDENSER	1
C7	MYLAR CONDENSER	1
C11, C25	MYLAR CONDENSER	2
C8	MYLAR CONDENSER	1
C5	CERAMIC CONDENSER	1
C14, C18, C24	CERAMIC CONDENSER	3
C10, C21	ELECTROLYTIC CONDENSER	2
C13, C16	ELECTROLYTIC CONDENSER	2
C20	ELECTROLYTIC CONDENSER	1
C19	ELECTROLYTIC CONDENSER	1
C12, C15	ELECTROLYTIC CONDENSER	2
C6	ELECTROLYTIC CONDENSER	1
C4	ELECTROLYTIC CONDENSER	1
R1	CEMENT FUSE RESISTOR	1
R21, R22	METAL RESISTOR	2
R19	METAL RESISTOR	1
R7	METAL RESISTOR	1
R18, R20	METAL RESISTOR	2
R2, R3, R4 R5, R6, R8, R9, R10, R11, R12, R13, R14, R15, R16, R17, R18 R23, R24	METAL RESISTOR	18
RS	MANGAN WIRE, 5.4M, OHM	1
VR1	SEMI-FIXED RESISTOR	1
VR2	SEMI-FIXED RESISTOR	1
F1	FUSE	1
F2	FUSE HOLDER	1
10m/m	NICKEL WIRE, 0.7 ϕ	1
150m/m	TUBE, 1.0 ϕ	1
100m/m	TUBE, 1.5 ϕ	1
J11	LEAD WIRE	1
J12	LEAD WIRE	1
J13	LEAD WIRE	1

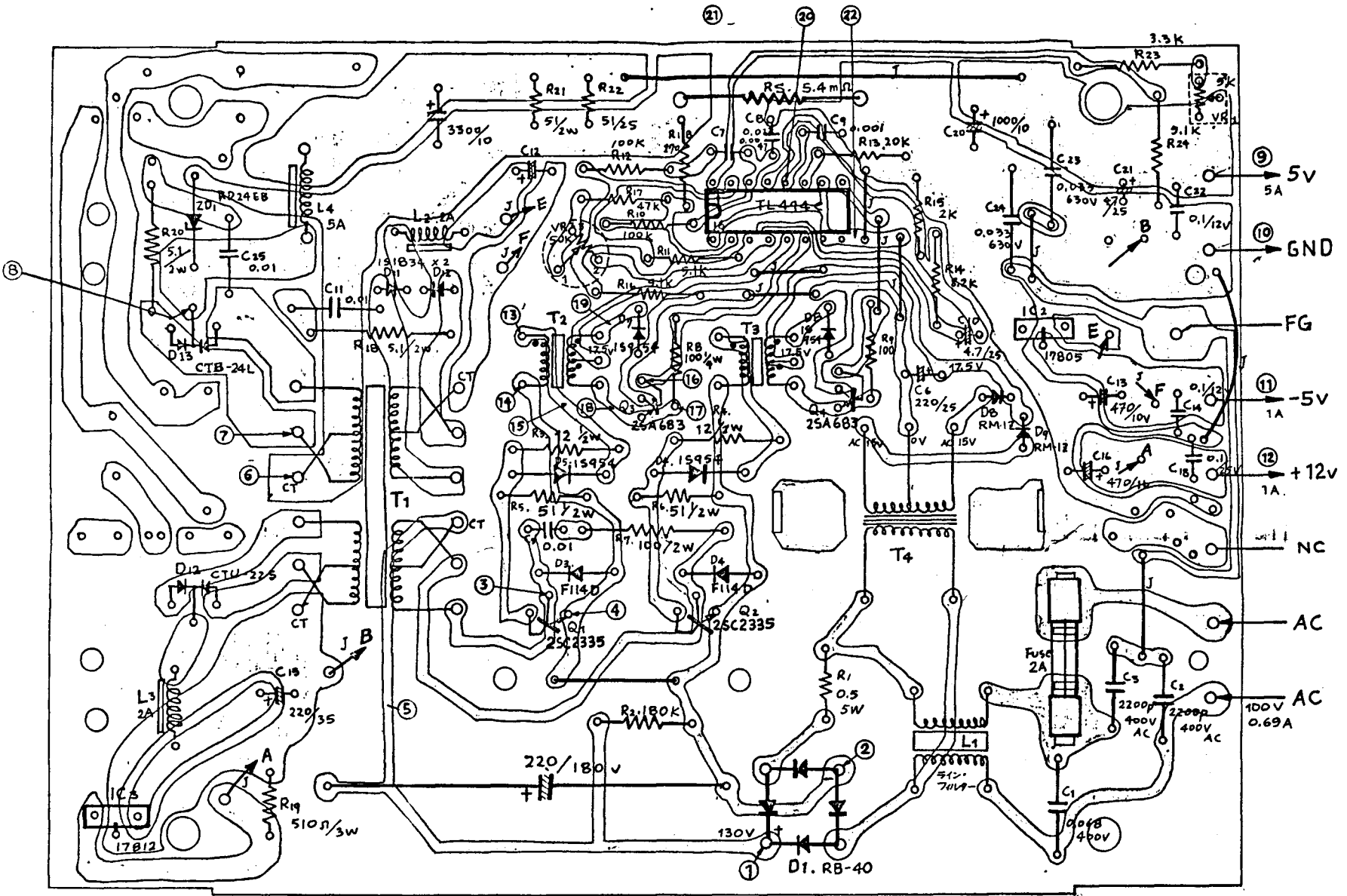
PSR-5110 SWITCHING POWER SUPPLYPARTS LIST

<u>SYMBOL:</u>	<u>DESCRIPTION:</u>	<u>QNTY.</u>
J14	LEAD WIRE	1
	BIND TUBE	3
SM221	MAIN P.C. BOARD	1
	TERMINAL	1
	RATING LABEL	1
	TERMINAL LABEL	1
	BIND SCREW	5
	TRUSS SCREW	8
	TAPPING SCREW	13
	HEX NUT	7
	FLAT WASHER	7
	RECTANGULAR WASHER	6
	SPRING WASHER	7
	MICA WASHER	12
	INSULATION BUSHING	6
	TOP CASE/BOTTOM CASE	2
	FRONT PANEL	1
	REAR PANEL	1
	TERMINAL SUPPORT	1
	HEAT SINK A	1
	HEAT SINK B	1
	HEAT SINK C	1
	HEAT SINK D	1
	METAL HOLDER	4



PSR-5110 SWITCHING POWER SUPPLY

TOLERANCES				centurion		MILBAM, FLORIDA 32014	
UNLESS OTHERWISE SPECIFIED				PART # 50350006		POWER SUPPLY	
FRACTIONS	± 1/2%			MATERIAL		HEAT TREAT	
DECIMALS 3 PL.	± .010			SCALE		1/2" = 1"	
DECIMALS 2 PL.	± .006			DATE		11/83	
DECIMALS 1 PL.	± .003			BY		JES	
ANGLES	± .001			REV.		1	
ANGLE SET BANDS	± 1/2°			ECN NO.		375-01-0270	
REV. LET.	ECN NO.	REVISION	BY	DATE	SCALE	REV.	



PSR-5110 SWITCHING POWER SUPPLY.

			CENTURI		
			#50350006 Power		
			SUPPLY.		

centuri[™]_{INC.}

Centuri, Inc. • 245 W. 74th Place • Hialeah, Florida 33014
Telephone: 305-558-5200 • Telex: 803694 • ANSB Centuri