

System Address Bus
System Data Bus
Obj Data Bus

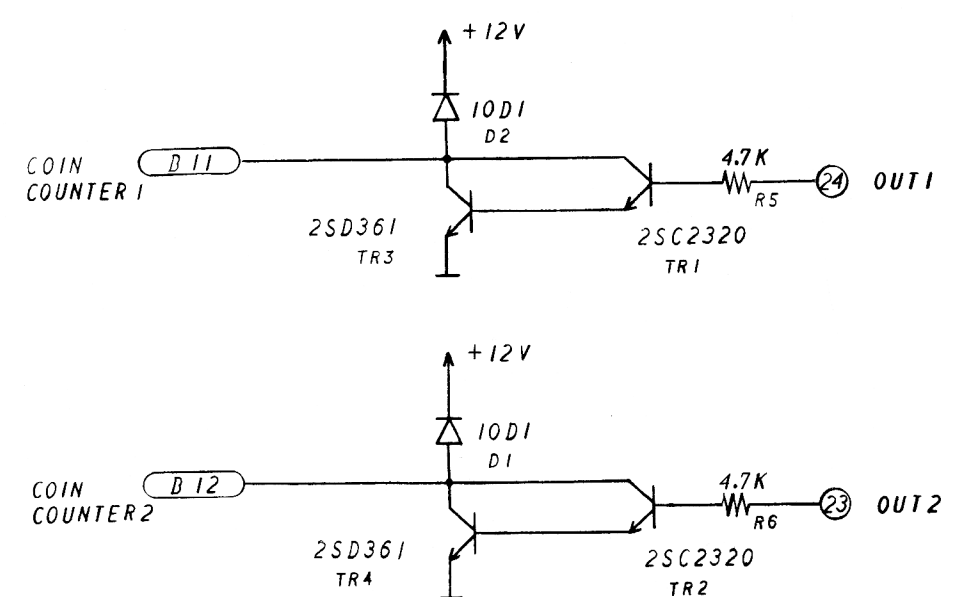
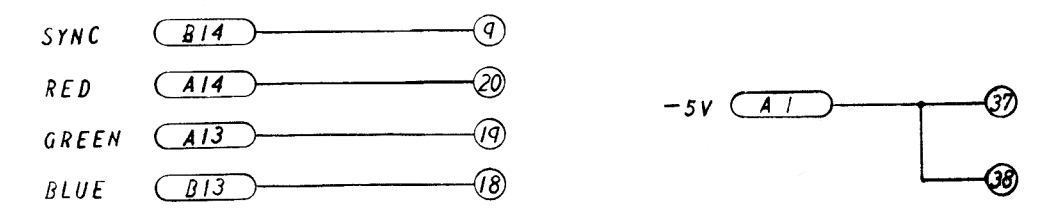
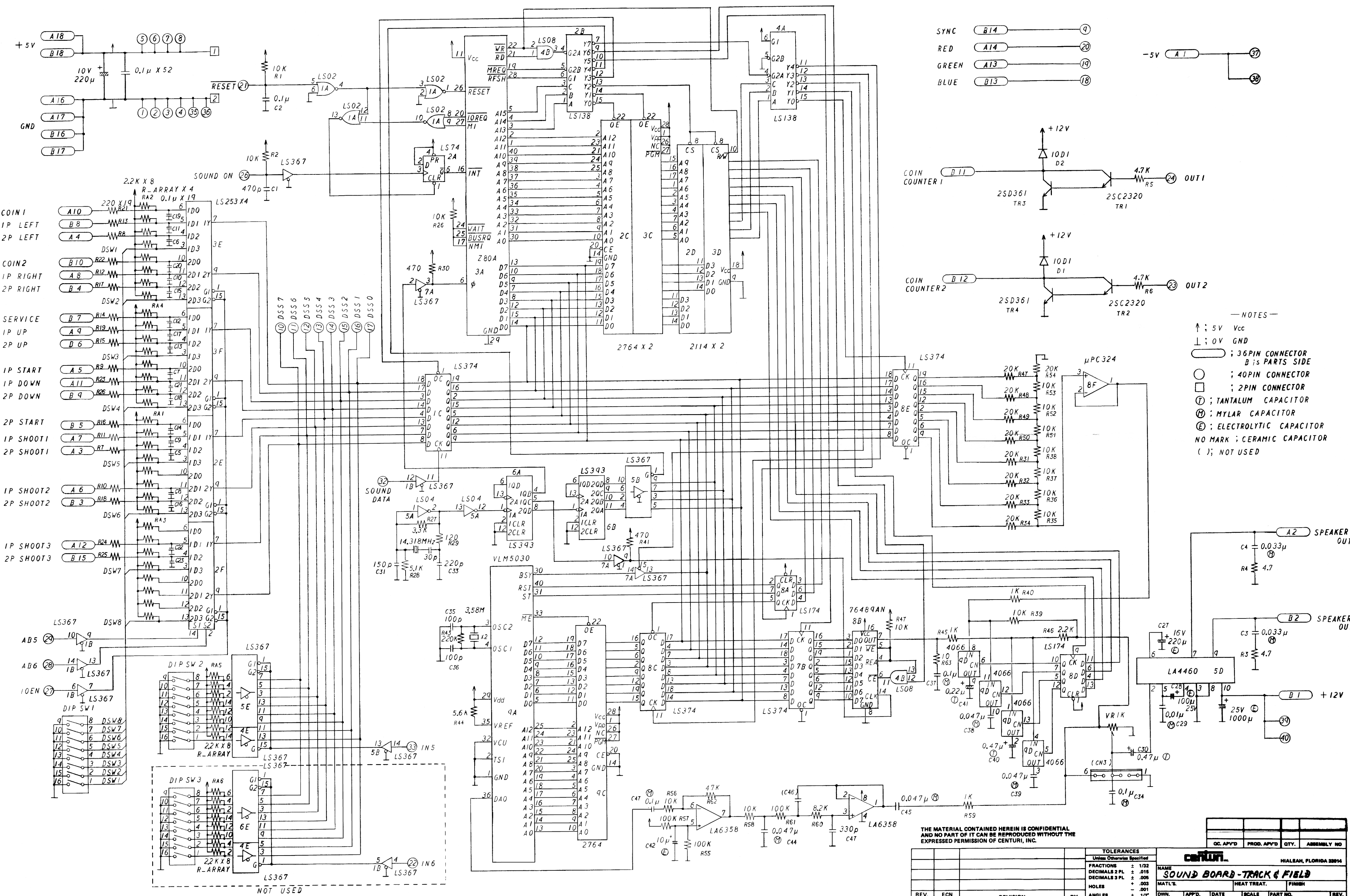
- NOTE
- ↑ ; Vcc
 - ↓ ; GND
 - (E) ; ELECTROLYTIC
 - (M) ; MYLER
 - NO MARK ; CERAMIC
 - (T) ; TANTALUM
 - (2) ; SV-CONNECTOR -2P
 - () ; NOT USED

THE MATERIAL CONTAINED HEREIN IS CONFIDENTIAL AND NO PART OF IT CAN BE REPRODUCED WITHOUT THE EXPRESSED PERMISSION OF CENTURI, INC.

REV. LET.	ECN NO.	REVISION	BY	DATE	SCALE	PART NO.	REV.
				10-10-83	X	010-4632	

OC. AP'VD	PROD. AP'VD	QTY.	ASSEMBLY NO

TOLERANCES		centuri		HIALEAH, FLORIDA 33014	
Unless Otherwise Specified					
FRACTIONS	± 1/32	NAME		CPU BOARD-TRACK & FIELD	
DECIMALS 2 PL	± .015	MTRL'S		HEAT TREAT	
DECIMALS 3 PL	± .005	FINISH		SCALE	
HOLES	± .001	DATE		PART NO.	
ANGLES	± 1/2°	SCALE		PART NO.	
SHT. MET BENDS	± 2°	SCALE		PART NO.	



- NOTES —
- ↑ ; 5V Vcc
 - ⊥ ; 0V GND
 - ; 36PIN CONNECTOR B is PARTS SIDE
 - ; 40PIN CONNECTOR
 - ; 2PIN CONNECTOR
 - Ⓣ ; TANTALUM CAPACITOR
 - Ⓜ ; MYLAR CAPACITOR
 - ⓔ ; ELECTROLYTIC CAPACITOR
 - NO MARK ; CERAMIC CAPACITOR
 - () ; NOT USED

THE MATERIAL CONTAINED HEREIN IS CONFIDENTIAL AND NO PART OF IT CAN BE REPRODUCED WITHOUT THE EXPRESSED PERMISSION OF CENTURI, INC.

REV. LET.	ECN NO.	REVISION	BY	ANGLES	SHT. MET BENDS
				± 1/2"	± 2"

OC. AP'VD	PROD. AP'VD	QTY.	ASSEMBLY NO.

TOLERANCES		UNLESS OTHERWISE SPECIFIED	
FRACTIONS	± 1/32	DECIMALS 2 PL	± .015
DECIMALS 3 PL	± .005	DECIMALS 3 PL	± .005
HOLES	± .003	HOLES	± .001
ANGLES	± 1/2"	SHT. MET BENDS	± 2"

REV. DWN.	APP'D.	DATE	SCALE	PART NO.	REV.
		10-10-83	2	010-4635	

centuri HIALEAH, FLORIDA 33014

SOUND BOARD - TRACK & FIELD