

MADE IN JAPAN
PMB353401A
KONAMI

168A10

168A12

168A11

168A13

注2

注2

注2

注2

注2

注2

168A08

168A09

注2

注2

注2

注5

注4

注5

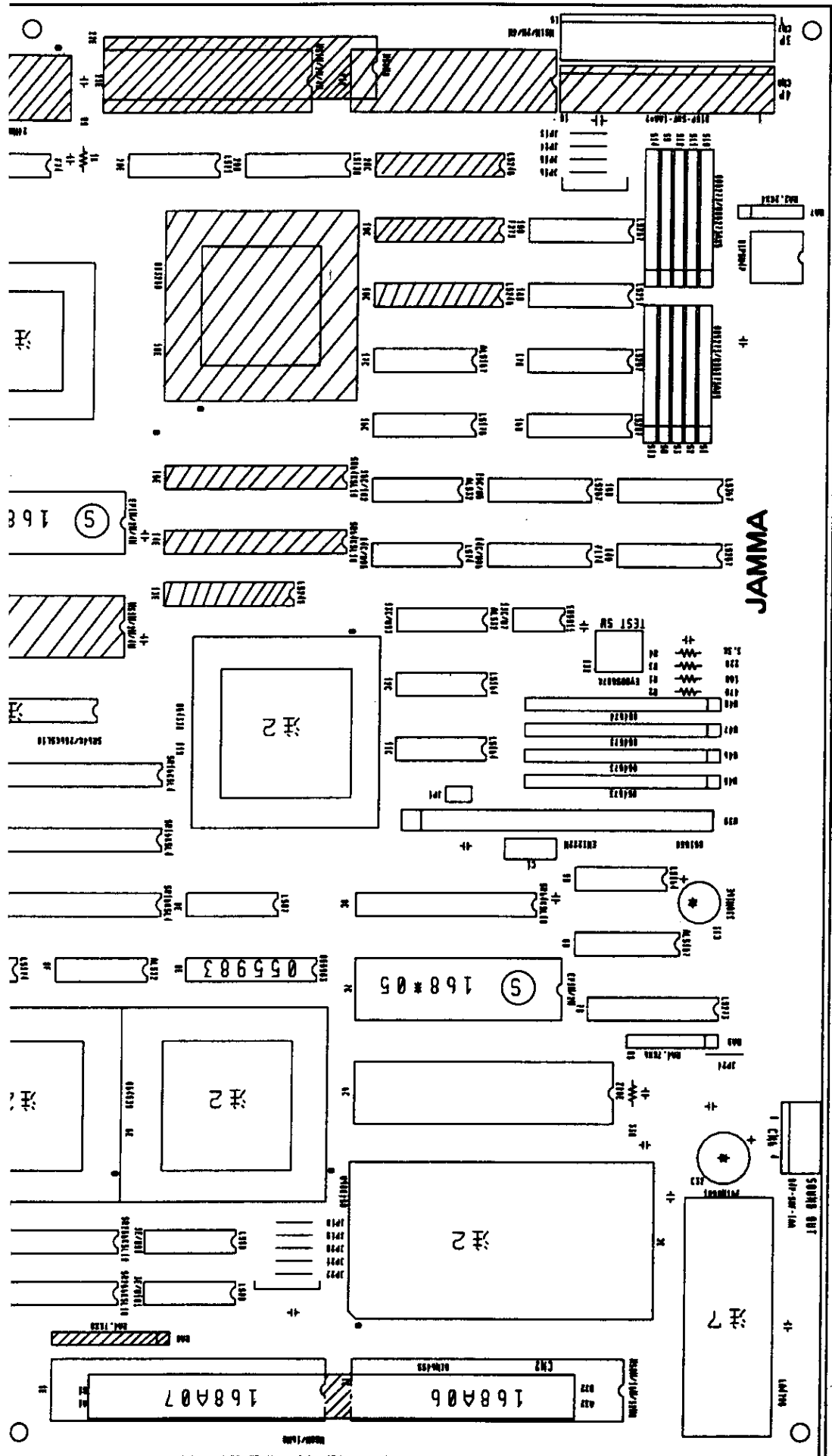
注5

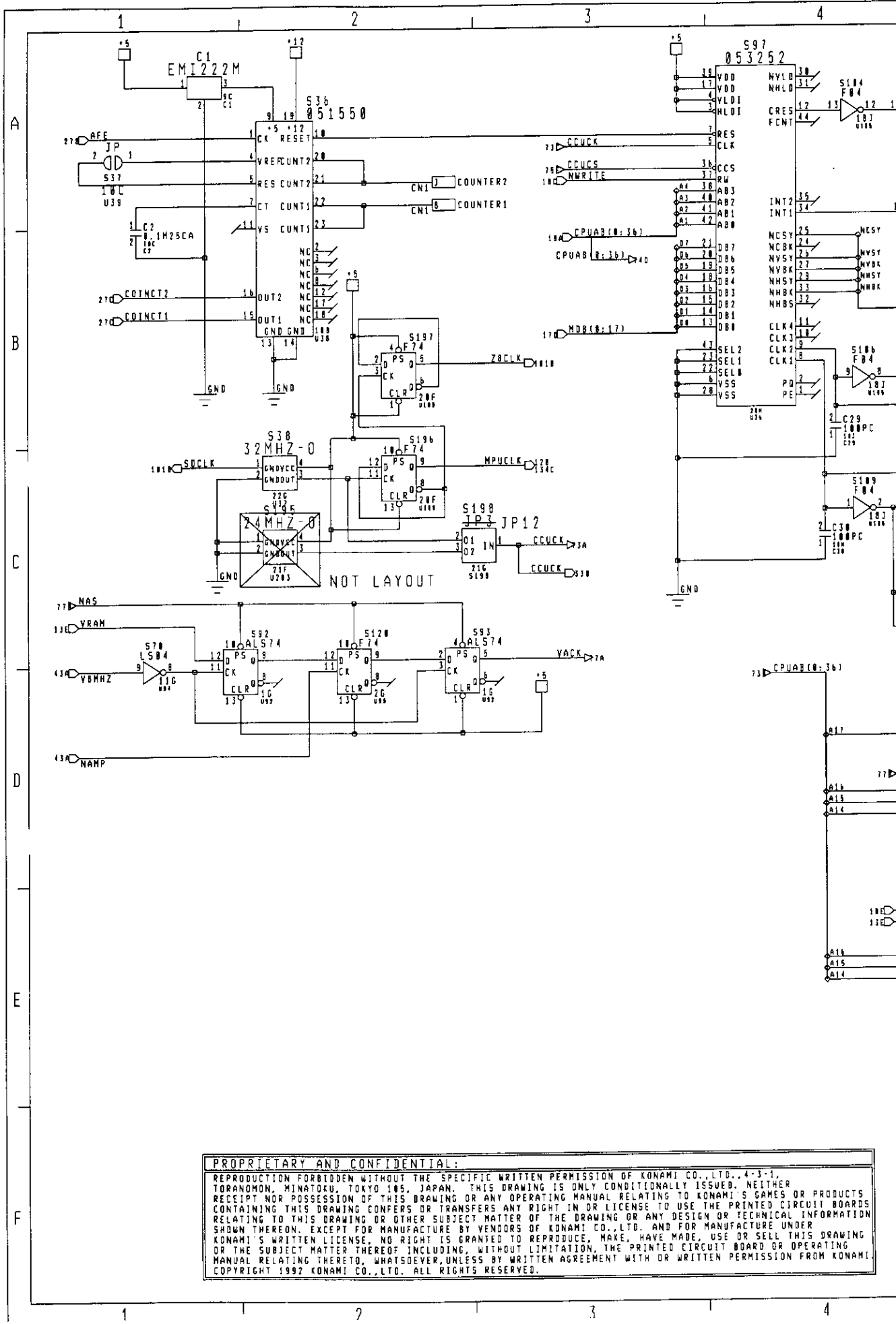
注5

注5

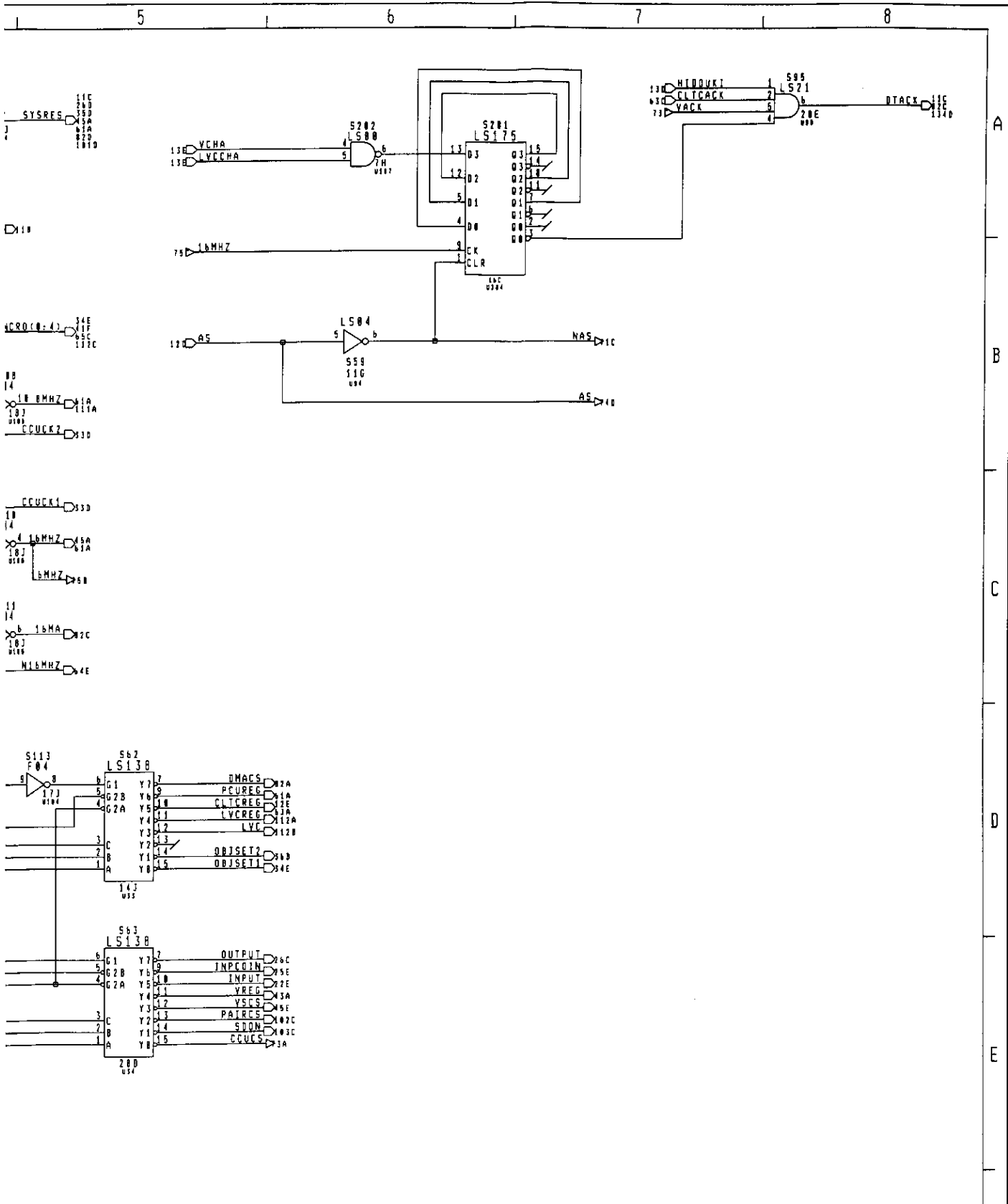
注2

VIOLENT STORM PCB LAYOUT



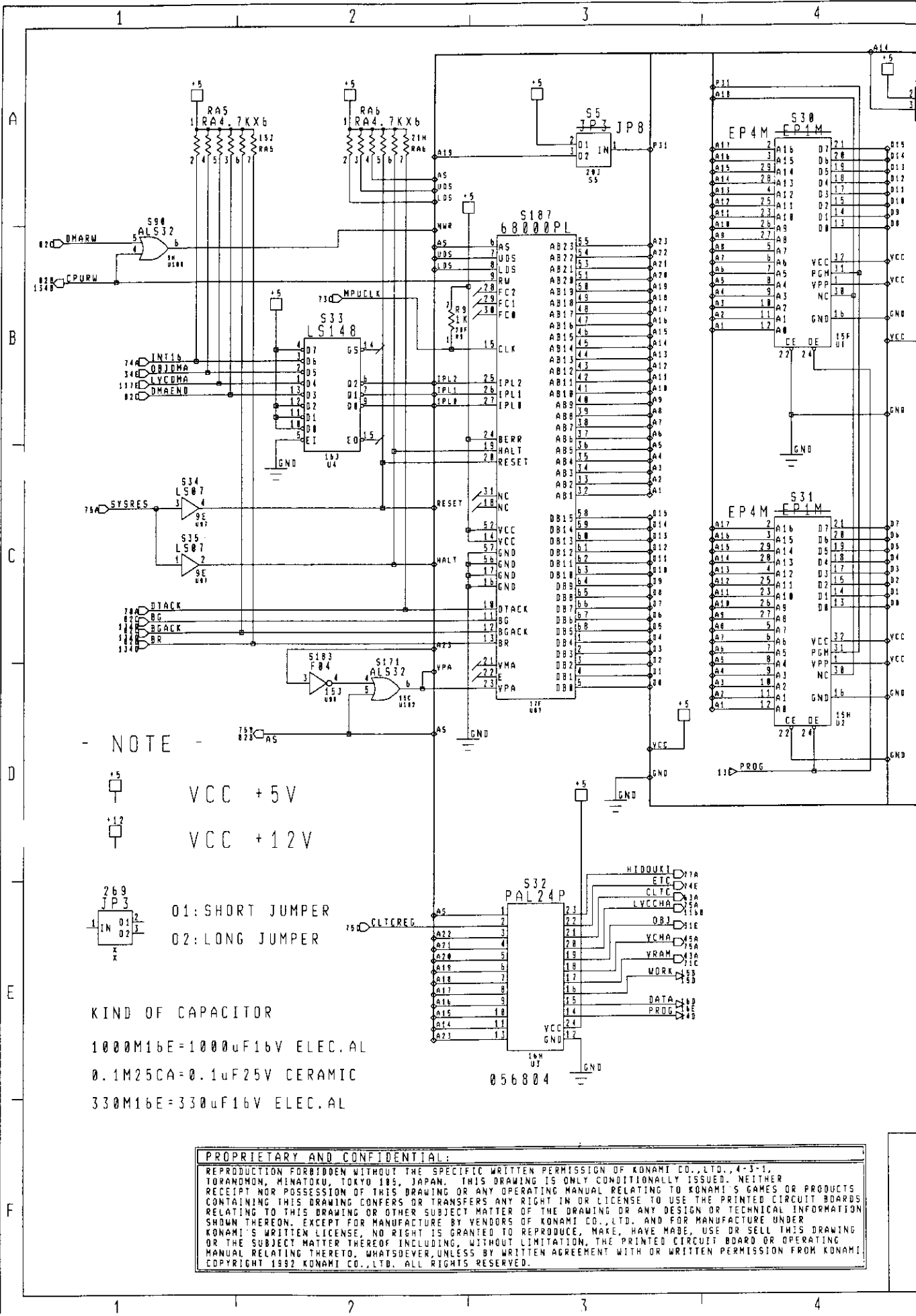


PROPRIETARY AND CONFIDENTIAL:
 REPRODUCTION FORBIDDEN WITHOUT THE SPECIFIC WRITTEN PERMISSION OF KONAMI CO., LTD., 4-3-1, TORANOMON, MINATOKU, TOKYO 105, JAPAN. THIS DRAWING IS ONLY CONDITIONALLY ISSUED. NEITHER RECEIPT NOR POSSESSION OF THIS DRAWING OR ANY OPERATING MANUAL RELATING TO KONAMI'S GAMES OR PRODUCTS CONTAINING THIS DRAWING CONFERS OR TRANSFERS ANY RIGHT IN OR LICENSE TO USE THE PRINTED CIRCUIT BOARDS RELATING TO THIS DRAWING OR OTHER SUBJECT MATTER OF THE DRAWING OR ANY DESIGN OR TECHNICAL INFORMATION SHOWN THEREON, EXCEPT FOR MANUFACTURE BY VENDORS OF KONAMI CO., LTD. AND FOR MANUFACTURE UNDER KONAMI'S WRITTEN LICENSE. NO RIGHT IS GRANTED TO REPRODUCE, MAKE, HAVE MADE, USE OR SELL THIS DRAWING OR THE SUBJECT MATTER THEREOF INCLUDING, WITHOUT LIMITATION, THE PRINTED CIRCUIT BOARD OR OPERATING MANUAL RELATING THERETO, WHATSOEVER, UNLESS BY WRITTEN AGREEMENT WITH OR WRITTEN PERMISSION FROM KONAMI. COPYRIGHT 1992 KONAMI CO., LTD. ALL RIGHTS RESERVED.



KONAMI
KONAMI CO., LTD.

DRAWING	DESIGN	Y. WAJIKI	TITLE	SCHEMATIC DIAGRAM
	DRAW	Y. WAJIKI	SUBTITLE	CCU
	CHECK	<i>Shoichi</i>	PAGE	
	APPROVE	<i>R. Wajiki</i>	CODE NO.	353968
	SCALE		REG. TYPE	GX168 PWB353401A
	TOLERANCE		SECURITY LEVEL	CONFIDENTIAL
DATE	1993.6.22			



- NOTE -

VCC +5V

VCC +12V

01: SHORT JUMPER

02: LONG JUMPER

KIND OF CAPACITOR

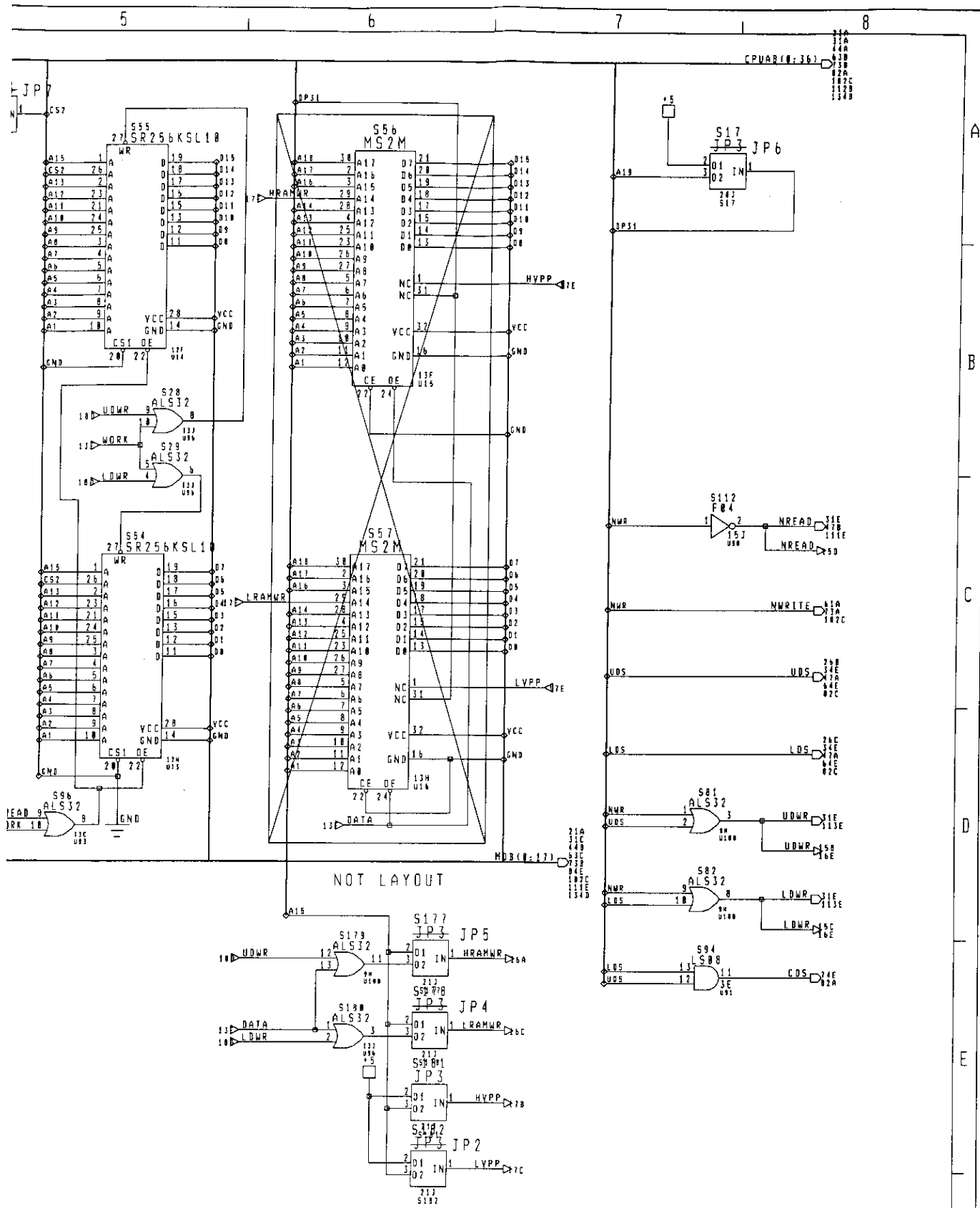
1000M16E=1000uF16V ELEC.AL

0.1M25CA=0.1uF25V CERAMIC

330M16E=330uF16V ELEC.AL

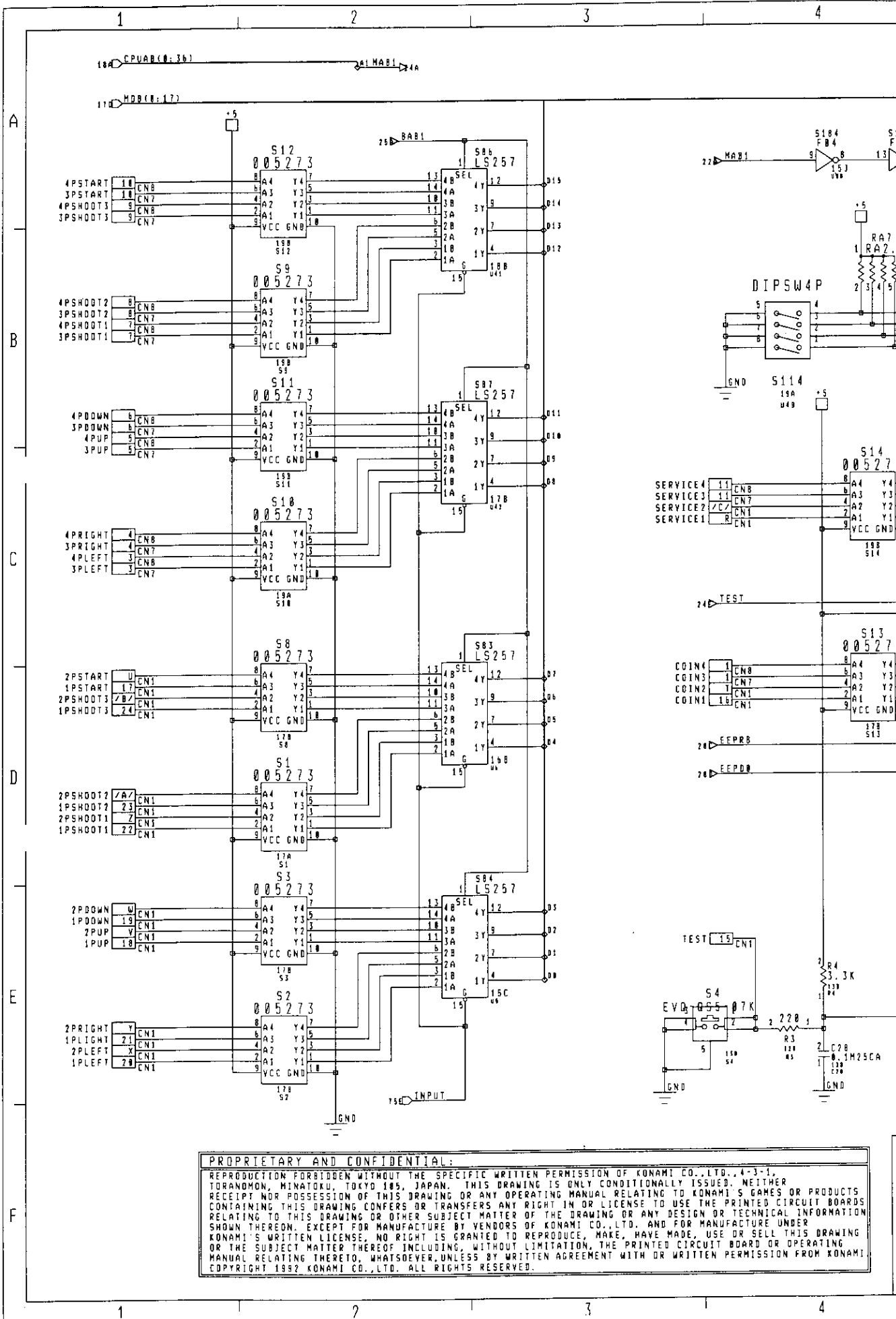
PROPRIETARY AND CONFIDENTIAL:

REPRODUCTION FORBIDDEN WITHOUT THE SPECIFIC WRITTEN PERMISSION OF KONAMI CO., LTD., 4-3-1, TORANOMON, MINATOKU, TOKYO 105, JAPAN. THIS DRAWING IS ONLY CONDITIONALLY ISSUED. NEITHER RECEIPT NOR POSSESSION OF THIS DRAWING OR ANY OPERATING MANUAL RELATING TO KONAMI'S GAMES OR PRODUCTS CONTAINING THIS DRAWING CONFERS OR TRANSFERS ANY RIGHT IN OR LICENSE TO USE THE PRINTED CIRCUIT BOARDS RELATING TO THIS DRAWING OR OTHER SUBJECT MATTER OF THE DRAWING OR ANY DESIGN OR TECHNICAL INFORMATION SHOWN THEREON. EXCEPT FOR MANUFACTURE BY VENDORS OF KONAMI CO., LTD. AND FOR MANUFACTURE UNDER KONAMI'S WRITTEN LICENSE, NO RIGHT IS GRANTED TO REPRODUCE, MAKE, HAVE MADE, USE OR SELL THIS DRAWING OR THE SUBJECT MATTER THEREOF INCLUDING, WITHOUT LIMITATION, THE PRINTED CIRCUIT BOARD OR OPERATING MANUAL RELATING THERETO, WHATSOEVER, UNLESS BY WRITTEN AGREEMENT WITH OR WRITTEN PERMISSION FROM KONAMI, COPYRIGHT 1992 KONAMI CO., LTD. ALL RIGHTS RESERVED.

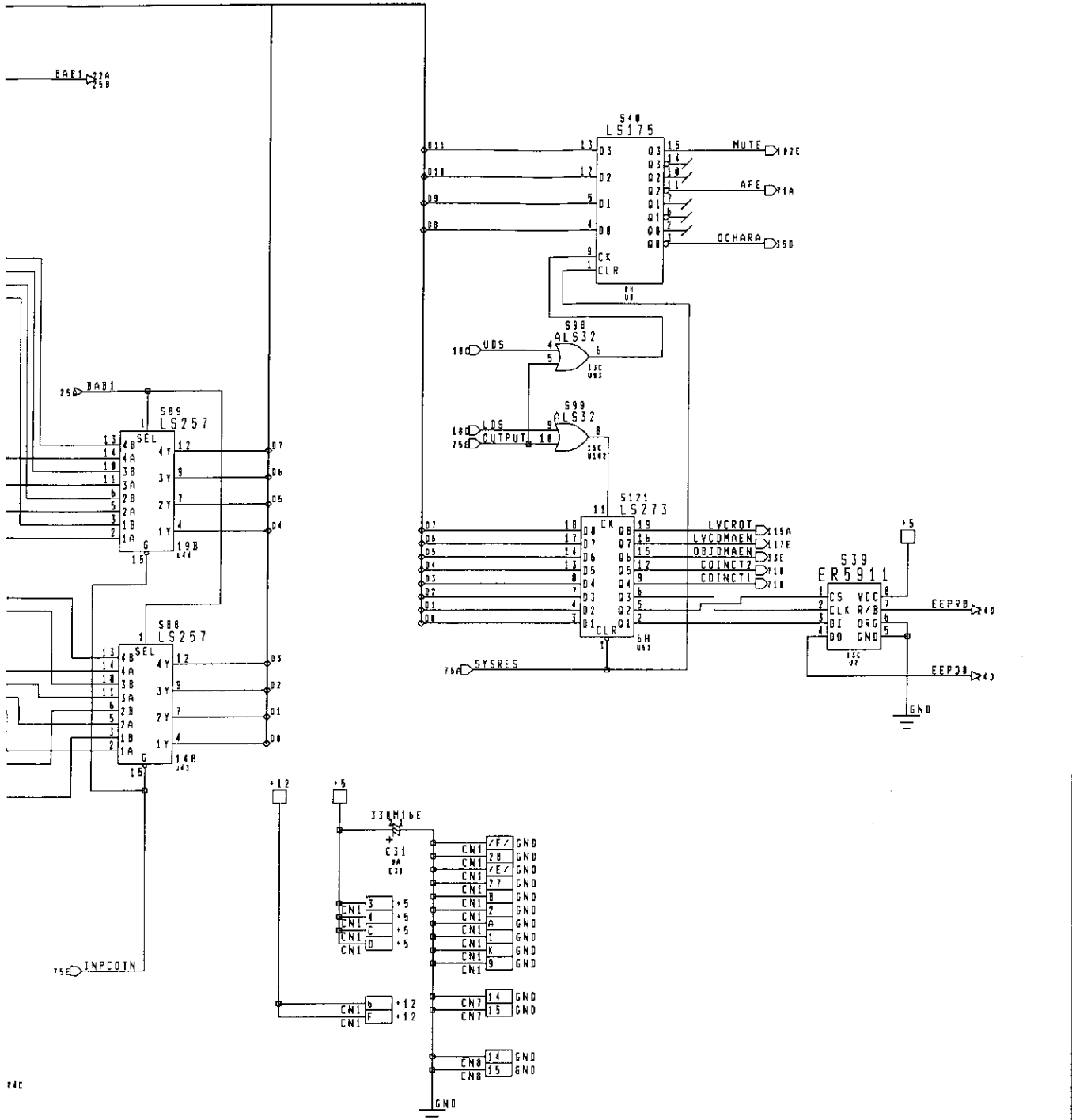


KONAMI
KONAMI CO., LTD.

DRAWING	DESIGN	Y. WAJIKI	TITLE	SCHEMATIC DIAGRAM
	DRAW	Y. WAJIKI	SUBTITLE	CPU
	CHECK	<i>Christina</i>	PAGE	
	APPROVE	<i>A. Wano.</i>	CODE NO.	353968
	SCALE		REG. TYPE	GX168 PWB353481A
	TOLERANCE		SECURITY LEVEL	CONFIDENTIAL
	DATE	1993.6.22		



PROPRIETARY AND CONFIDENTIAL:
 REPRODUCTION FORBIDDEN WITHOUT THE SPECIFIC WRITTEN PERMISSION OF KONAMI CO., LTD., 4-3-1, TORANOMON, MINATOKU, TOKYO 105, JAPAN. THIS DRAWING IS ONLY CONDITIONALLY ISSUED. NEITHER RECEIPT NOR POSSESSION OF THIS DRAWING OR ANY OPERATING MANUAL RELATING TO KONAMI'S GAMES OR PRODUCTS CONTAINING THIS DRAWING CONFERS OR TRANSFERS ANY RIGHT IN OR LICENSE TO USE THE PRINTED CIRCUIT BOARDS RELATING TO THIS DRAWING OR OTHER SUBJECT MATTER OF THE DRAWING OR ANY DESIGN OR TECHNICAL INFORMATION SHOWN THEREON. EXCEPT FOR MANUFACTURE BY VENDORS OF KONAMI CO., LTD., AND FOR MANUFACTURE UNDER KONAMI'S WRITTEN LICENSE, NO RIGHT IS GRANTED TO REPRODUCE, MAKE, HAVE MADE, USE OR SELL THIS DRAWING OR THE SUBJECT MATTER THEREOF INCLUDING, WITHOUT LIMITATION, THE PRINTED CIRCUIT BOARD OR OPERATING MANUAL RELATING THERETO, WHATSOEVER, UNLESS BY WRITTEN AGREEMENT WITH OR WRITTEN PERMISSION FROM KONAMI. COPYRIGHT 1992 KONAMI CO., LTD. ALL RIGHTS RESERVED.

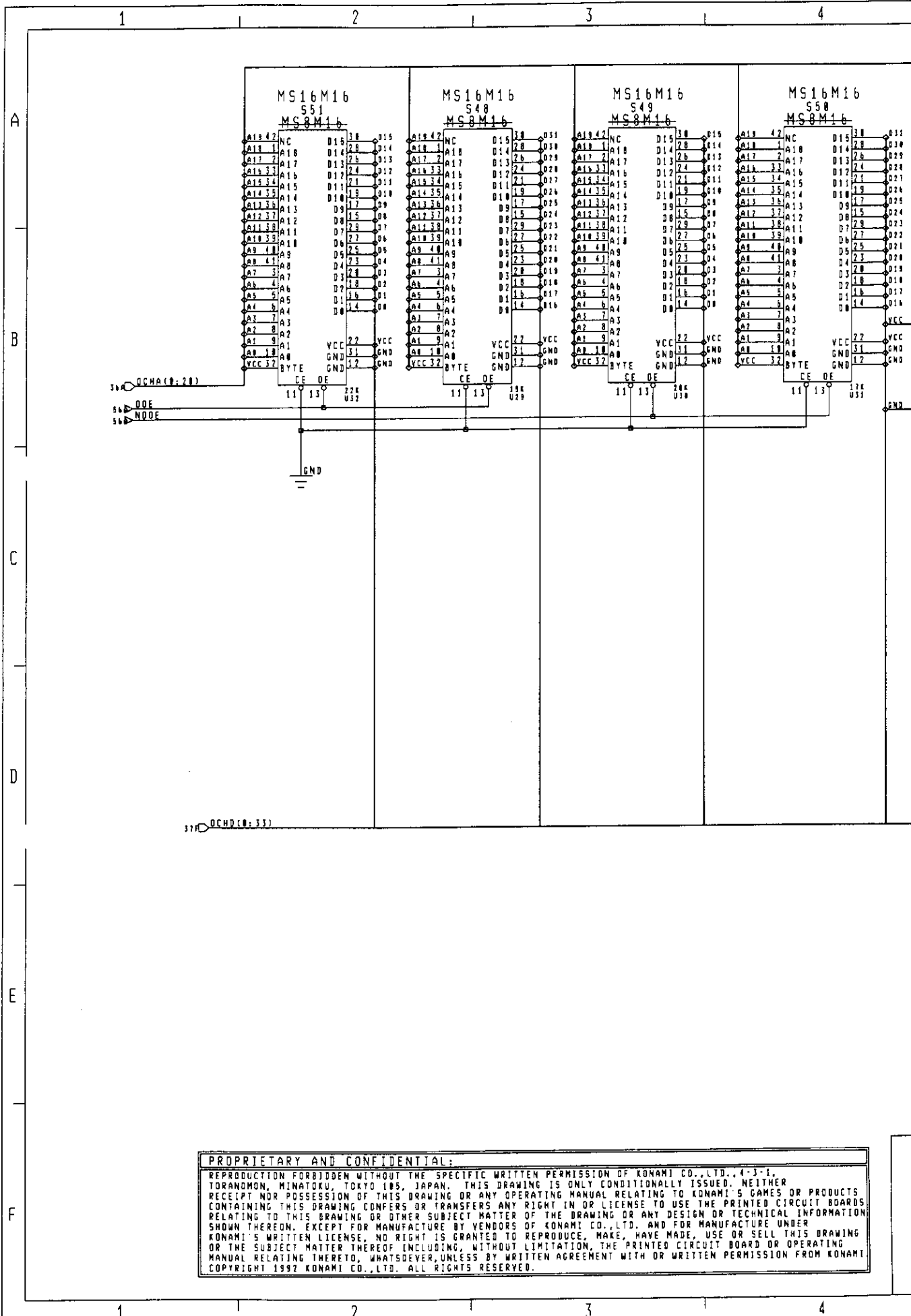


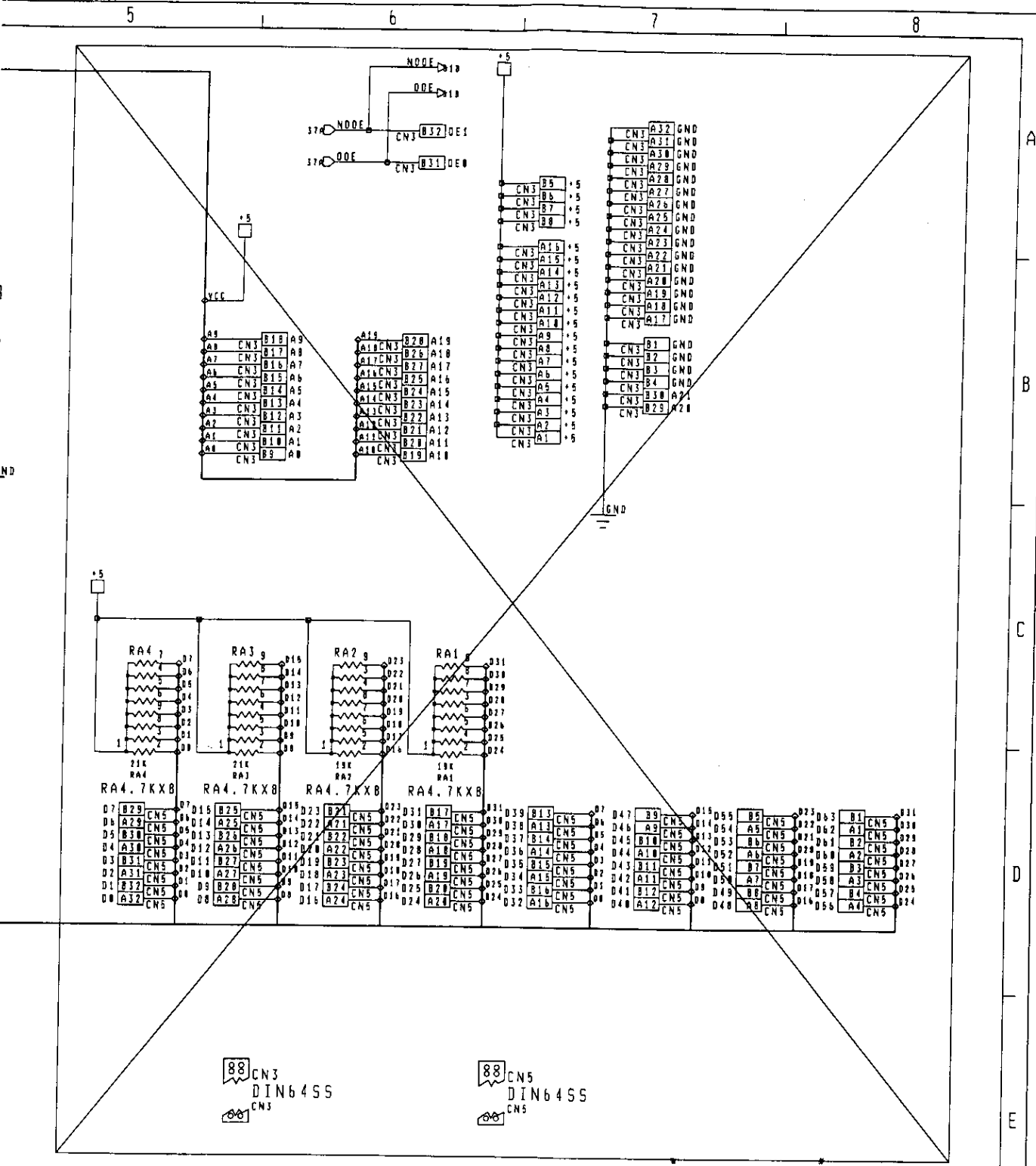
- 88 CN7 B15P-SHF-1AA
- 88 CN8 B15P-SHF-1AA
- 88 CN1 JAMMA

DRAWING	DESIGN	Y. WAJIKI	TITLE	SCHEMATIC DIAGRAM
	DRAW	Y. WAJIKI	SUBTITLE	IO
	CHECK	<i>Shastima</i>	PAGE	
	APPROVE	<i>H. Wano.</i>	CODE NO.	353968
	SCALE		REG. TYPE	GX168 PWB353401A
	TOLERANCE		SECURITY LEVEL	CONFIDENTIAL
	DATE	1993. 6. 22		

KONAMI

KONAMI CO., LTD.





88 CN3
DIN64SS
CN3

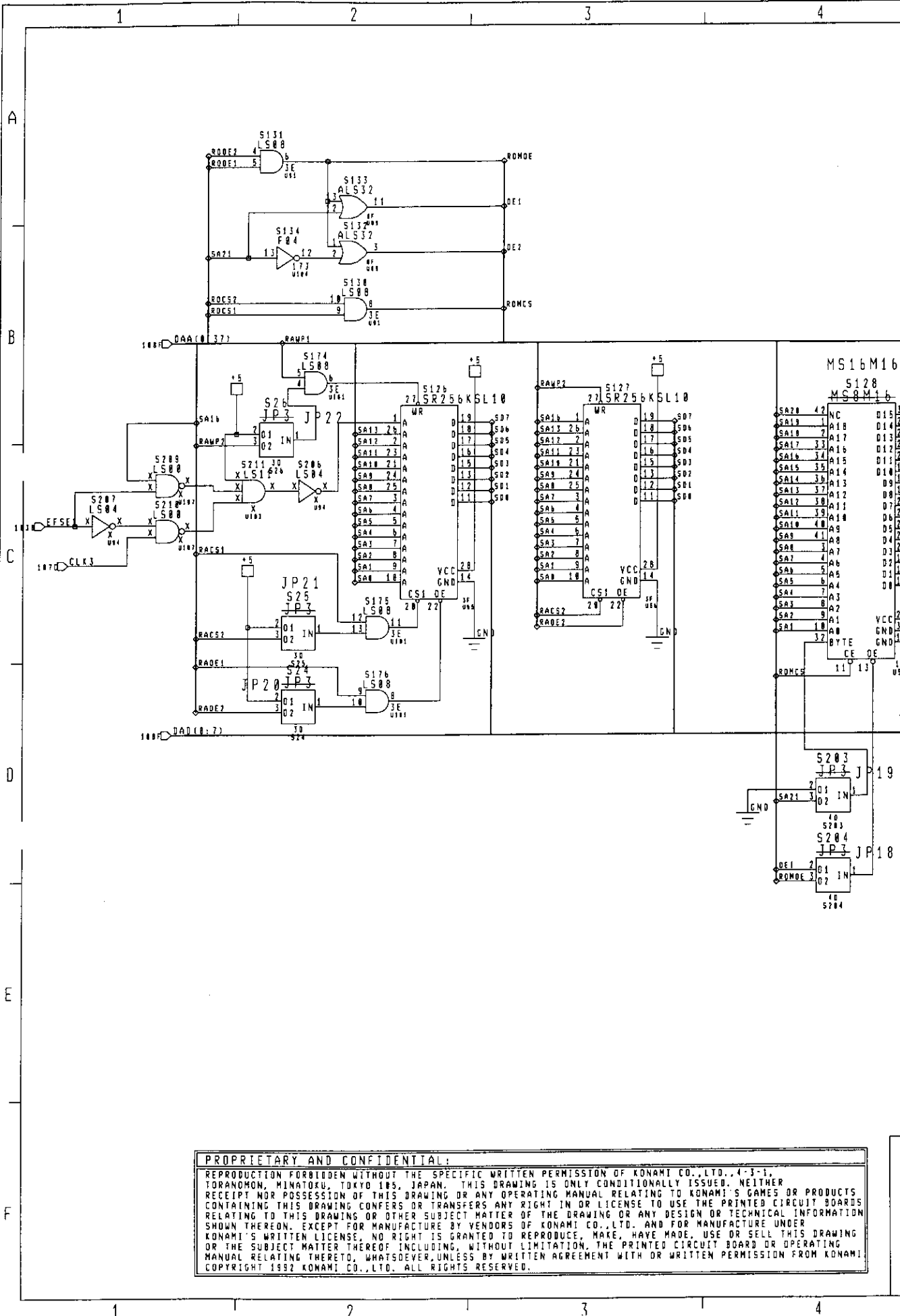
88 CN5
DIN64SS
CN5

NOT LAYOUT

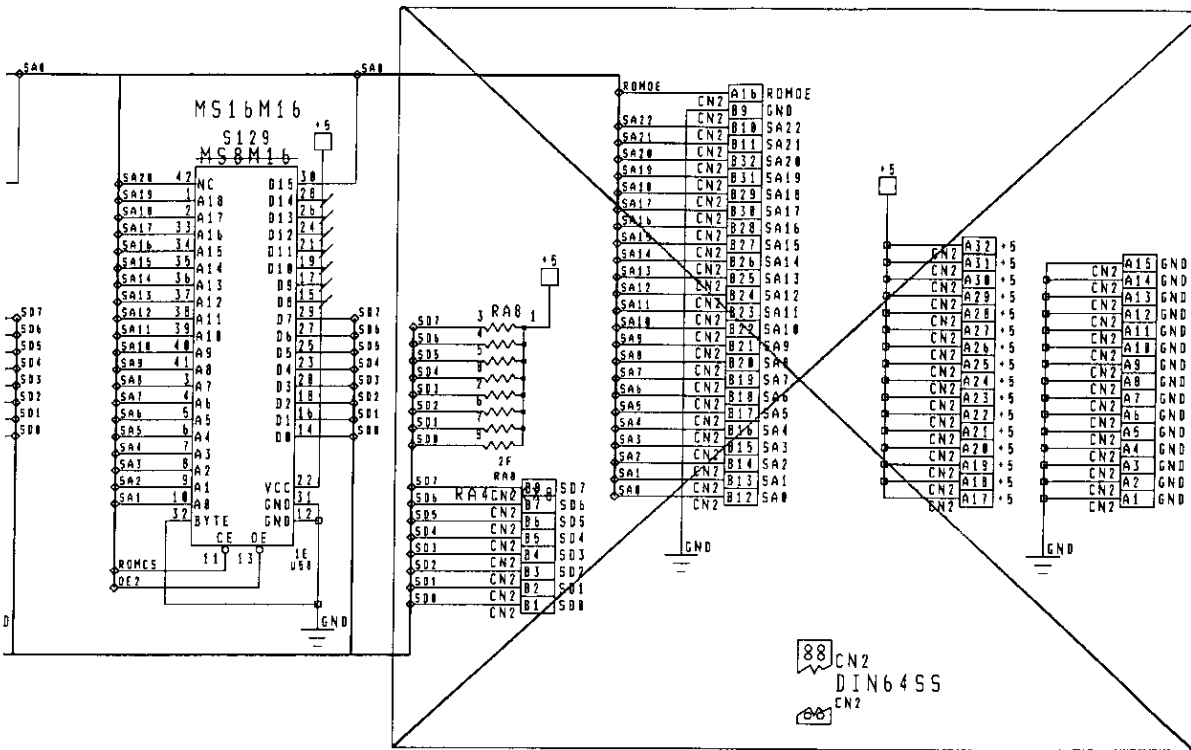
KONAMI

KONAMI CO., LTD.

DRAWING	DESIGN	Y. WAJIKI	TITLE	SCHEMATIC DIAGRAM
	DRAW	Y. WAJIKI	SUBTITLE	OBJ CHA
	CHECK	<i>[Signature]</i>	PAGE	
	APPROVE	<i>[Signature]</i>	CODE NO.	353968
	SCALE		REG. TYPE	GX168 PWB353401A
	TOLERANCE		SECURITY LEVEL	CONFIDENTIAL
	DATE	1993. 6. 22		



PROPRIETARY AND CONFIDENTIAL:
 REPRODUCTION FORBIDDEN WITHOUT THE SPECIFIC WRITTEN PERMISSION OF KONAMI CO., LTD., 4-3-1, TORANOMON, MINATOKU, TOKYO 105, JAPAN. THIS DRAWING IS ONLY CONDITIONALLY ISSUED. NEITHER RECEIPT NOR POSSESSION OF THIS DRAWING OR ANY OPERATING MANUAL RELATING TO KONAMI'S GAMES OR PRODUCTS CONTAINING THIS DRAWING CONFERS OR TRANSFERS ANY RIGHT IN OR LICENSE TO USE THE PRINTED CIRCUIT BOARDS RELATING TO THIS DRAWING OR OTHER SUBJECT MATTER OF THE DRAWING OR ANY DESIGN OR TECHNICAL INFORMATION SHOWN THEREON. EXCEPT FOR MANUFACTURE BY VENDORS OF KONAMI CO., LTD. AND FOR MANUFACTURE UNDER KONAMI'S WRITTEN LICENSE, NO RIGHT IS GRANTED TO REPRODUCE, MAKE, HAVE MADE, USE OR SELL THIS DRAWING OR THE SUBJECT MATTER THEREOF INCLUDING, WITHOUT LIMITATION, THE PRINTED CIRCUIT BOARD OR OPERATING MANUAL RELATING THERETO, WHATSOEVER, UNLESS BY WRITTEN AGREEMENT WITH OR WRITTEN PERMISSION FROM KONAMI. COPYRIGHT 1992 KONAMI CO., LTD. ALL RIGHTS RESERVED.



NOT LAYOUT

KONAMI

KONAMI CO., LTD.

DRAWING

DESIGN	Y. WAJIKI	TITLE	SCHEMATIC DIAGRAM
DRAW	Y. WAJIKI	SUBTITLE	PCM DATA
CHECK	<i>Shastina</i>	PAGE	
APPROVE	<i>R. Wano.</i>	CODE NO.	353968
SCALE		REG. TYPE	GX168 PWB353401A
TOLERANCE		SECURITY LEVEL	CONFIDENTIAL
DATE	1993.6.22		