

Nintendo-Pak™

ArmWrestling

NINTENDO-PAK™ INSTALLATION & OPERATION MANUAL

FOR PUNCH-OUT!!™

&

Super
PUNCH-OUT!!™

Nintendo®

—WARNING—

If the replacement parts and components in this Nintendo-Pak™ are not installed exactly as instructed herein, there may be radio frequency interference created in violation of F.C.C. class A standards.

TABLE OF CONTENTS

- I. Introduction
- II. Contents of Arm Wrestling Kit
- III. List of Tools Needed
- IV. Replacement Process Step-by Step
- V. Final Check Sheet

I. INTRODUCTION

Nintendo-Pak™ enables you to replace Punch-Out!!™ or Super Punch-Out!!™ with Arm Wrestling in less than one hour.

Before you begin, thoroughly read this Instruction Manual to familiarize yourself with the proper procedures. Make certain that you have all the tools necessary to complete the process.

II. CONTENTS OF NINTENDO-PAK™

<u>Part Name</u>	<u>Quantity</u>	<u>Remarks</u>
CHV1 Complete P.C. Board Set	1	
CHV1 Complete Control Panel Assy	1	
CHV-US Name Plate	1	
CHV-US Side Decal	2	
Nintendo-Pak Manual	1	
Arm Wrestling Operation Manual	1	
FBI Sticker	1	
Authorized Arm Wrestling Sticker	1	
F.C.C. Class A Label	1	

III. LIST OF TOOLS NEEDED

Phillips Screwdriver

Allen Wrench

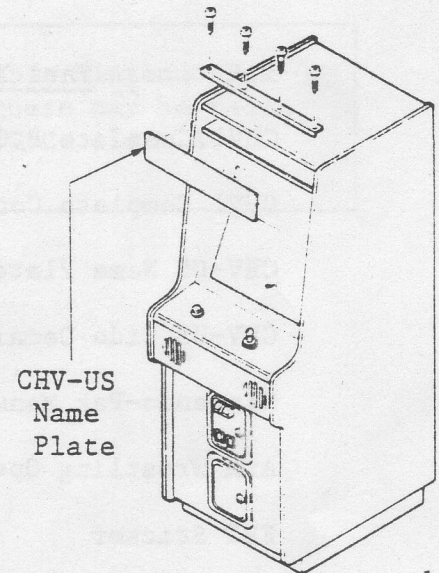
Staple Gun

6" Adjustable Wrench

IV. REPLACEMENT PROCESS STEP-BY-STEP AND FINAL CHECK

1. Exchange marquee/header

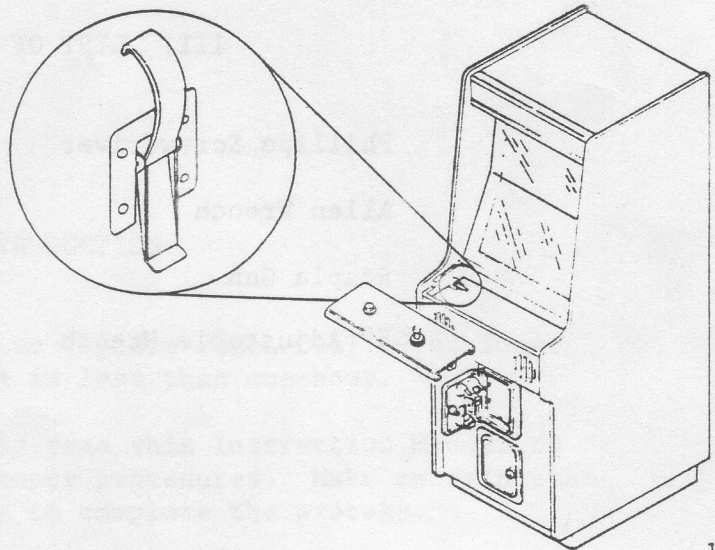
- A. Remove four (4) top trim screws.
- B. Exchange marquee plexiglass.
- C. Replace top trim and four (4) top trim screws.



1-1

2. Remove operation panel assy (see illustration 1-2)

- A. Open service door.
- B. Unlock operation panel hold down clamps.
- C. Disconnect main harness connectors and remove operation panel assy.

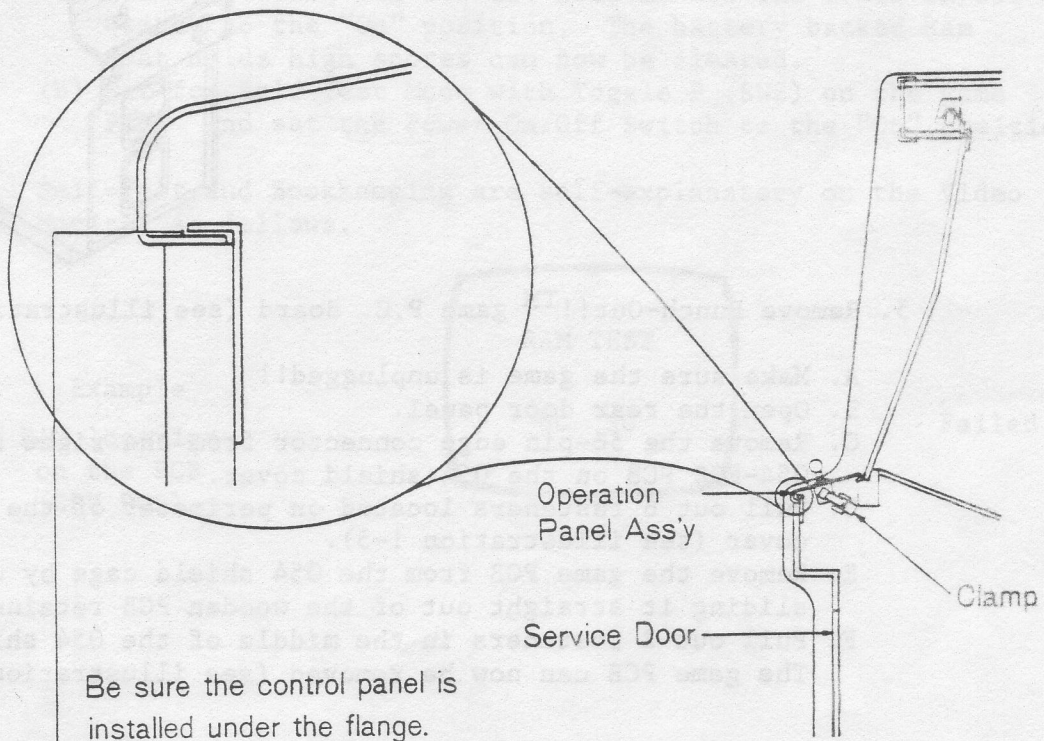


1-2

3. Install new operation panel assy

- A. Connect control panel wire harness to main harness connectors.
- B. Install control panel and fasten hold down clamps.

IMPORTANT: To avoid vandalism, operation panel must be properly seated as shown in illustration 1-3.

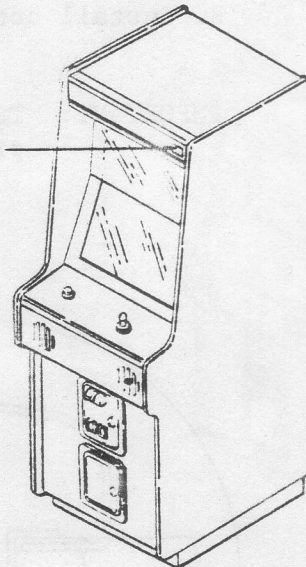


1-3

4. Attach authorized Arm Wrestling sticker

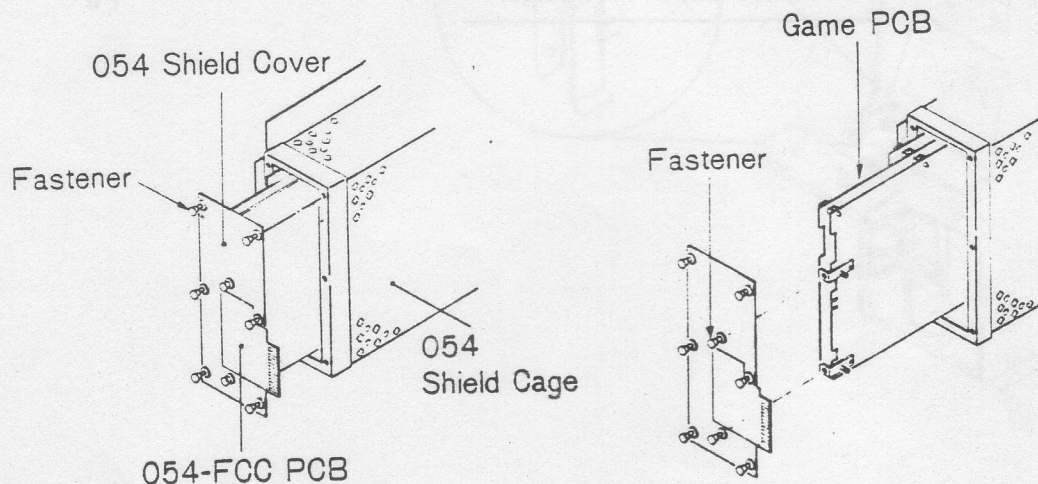
Place in location shown (see illustration 1-4).

Authorized
Arm Wrestling
Sticker



5. Remove Punch-Out!!™ game P.C. Board (see illustration 1-5 and 1-6)

- A. Make sure the game is unplugged!!
- B. Open the rear door panel.
- C. Remove the 56-pin edge connector from the right side of the 054-FCC PCB on the 054 shield cover.
- D. Pull out 6 fasteners located on perimeter of the 054 shield cover (see illustration 1-5).
- E. Remove the game PCB from the 054 shield cage by carefully sliding it straight out of the wooden PCB retainers.
- F. Pull out 2 fasteners in the middle of the 054 shield cover. The game PCB can now be removed (see illustration 1-6).



1-5

1-6

6. Install new PCB assy and check Self-Test and Bookkeeping

- A. Remove cardboard spacers from between batteries and contacts on CPU PC Board.
NOTE!!: If cardboard spacers are not removed, battery backed Ram will not hold high scores.
- B. Connect the new game PCB to 054-FCC PCB.
- C. Place the new game PCB into the shield cage and connect the 56-pin edge connector to the 054-FCC PCB.
- D. Check Self-Test and Bookkeeping.

(1) Entry

There are two ways to enter Self-Test and Bookkeeping modes.

- (a) While pressing the Service Switch, set the Power On/off Switch to the "On" position. The battery backed Ram that holds high scores can now be cleared.
- (b) Set for Self-Test Mode with Toggle P (SW2) on the game PCB. And set the Power On/Off Switch to the "On" position.

(2) Self-Test and Bookkeeping are self-explanatory on the Video Monitor as follows.

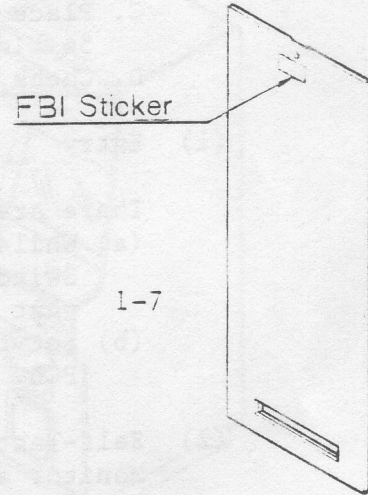
Example	RAM TEST	
RAM location on the PCB (CPU PCB)	8C NG	Failed

Example	ROM TEST	
ROM location on the PCB (CPU PCB)	8L OK 8K OK 8J OK 8H NG	Passed Failed

After servicing the game PCB, close the 054 shield cover completely with the fasteners (see illustration 1-5 and 1-6). Failure to do so may result in unacceptable radio communication interference.

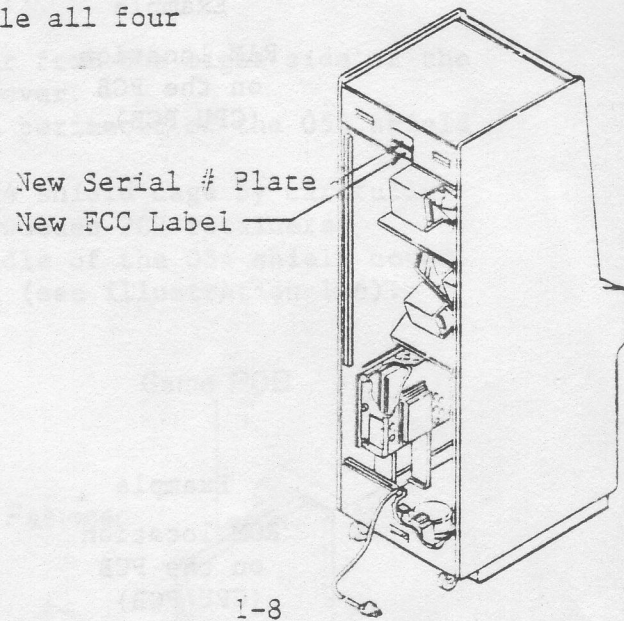
7. Attach FBI sticker (see illustration 1-7)

- A. Place label on back door just under lock.
- B. Place label on back door just under lock.
- C. Staple all four (4) corners.



8. Attach FCC Class A Label (see illustration 1-8)

If old FCC Class A label is not readable, put on new FCC Class A label and staple all four (4) corners.



9. Screw on new serial number plate next to old plate.

IMPORTANT! DO NOT REMOVE OLD PLATE.
(see illustration 1-8)

10. Side Decal Application

Step 1: Remove 6 carriage bolts from 1 side of cabinet and remove old side decal. Clean side of cabinet with alcohol.*

NOTE: Install side decals one side at a time so monitors do not require removal.

Step 2: Start by peeling the protective backing "A" down about 6 inches from the top.

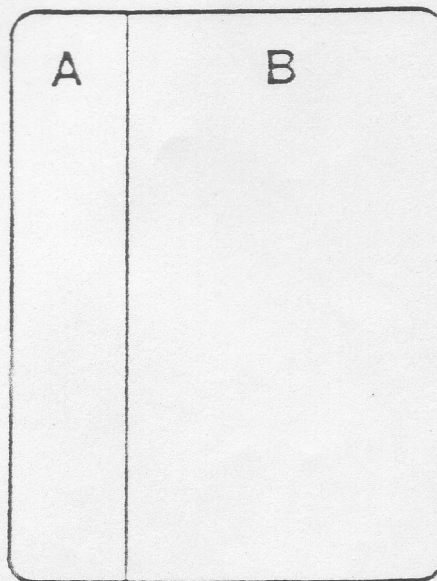
Place decal in desired position. Pull down slowly the remainder of the protective backing of "A".

While doing this, use a soft cloth to smooth decal onto side board, moving from top to bottom of decal.

Step 3: Fold remaining decal back, exposing the unprinted side. Begin to peel protective backing "B" from center to right hand side "slowly".

Using soft cloth, smooth decal onto side panel by running hand from top to bottom of decal, moving outward to the right hand side.

*NOTE: Lacquer thinner may be needed to remove locktight from carriage bolts.



Front View

V. Final Check Sheet and Adjustments

- 1. FBI sticker installed (MANDATORY).
- 2. New serial number plate installed (MANDATORY).
- 3. New FCC label installed (MANDATORY).
- 4. P.C. Board adjustments made (see P.C. Board adjustments in Arm Wrestling operation manual).
- 5. Monitor adjustments made (see monitor adjustments in Arm Wrestling operation manual).
- 6. Coins give credit.
- 7. Controls on operation panel functioning.
- 8. Sound checked.