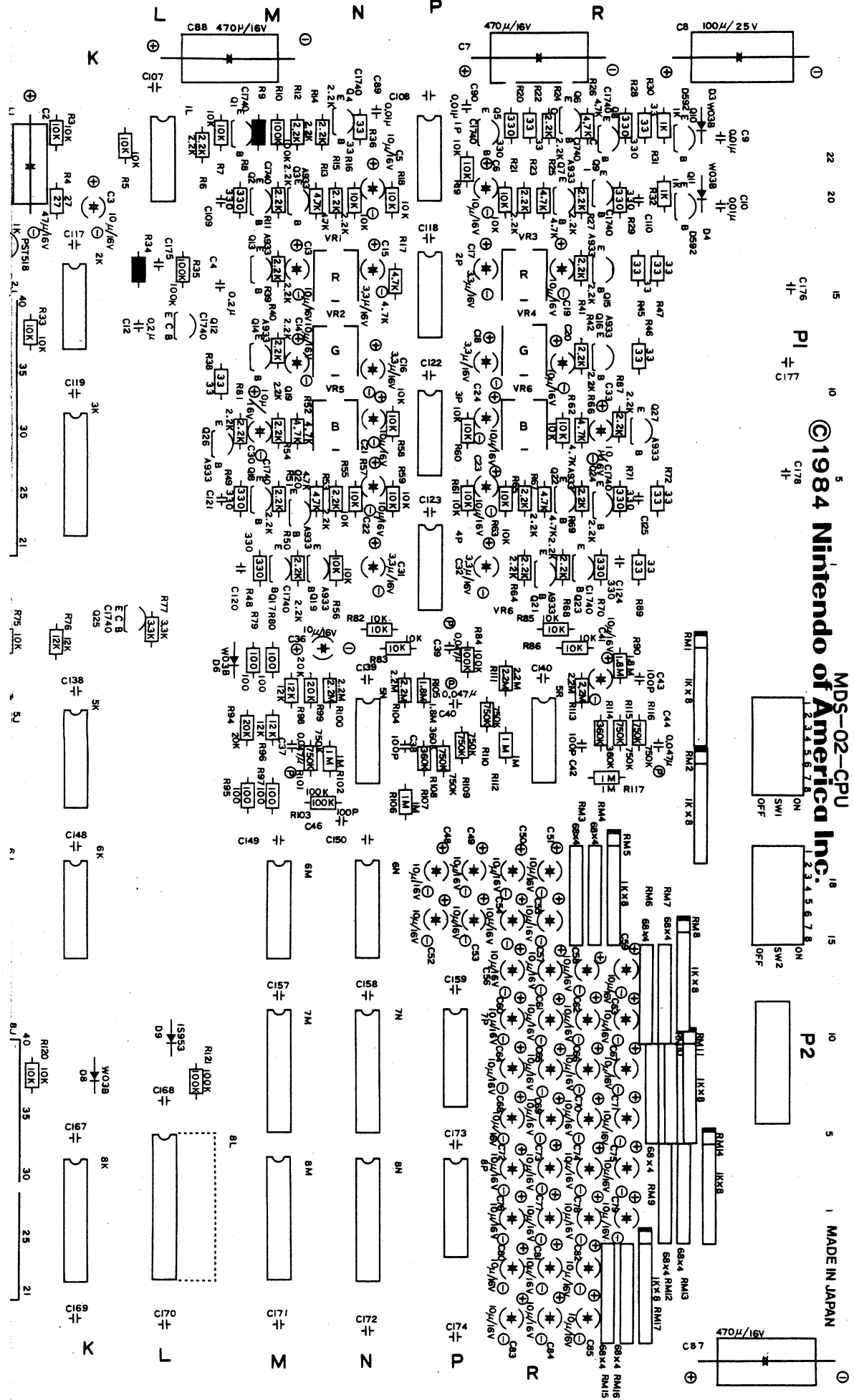


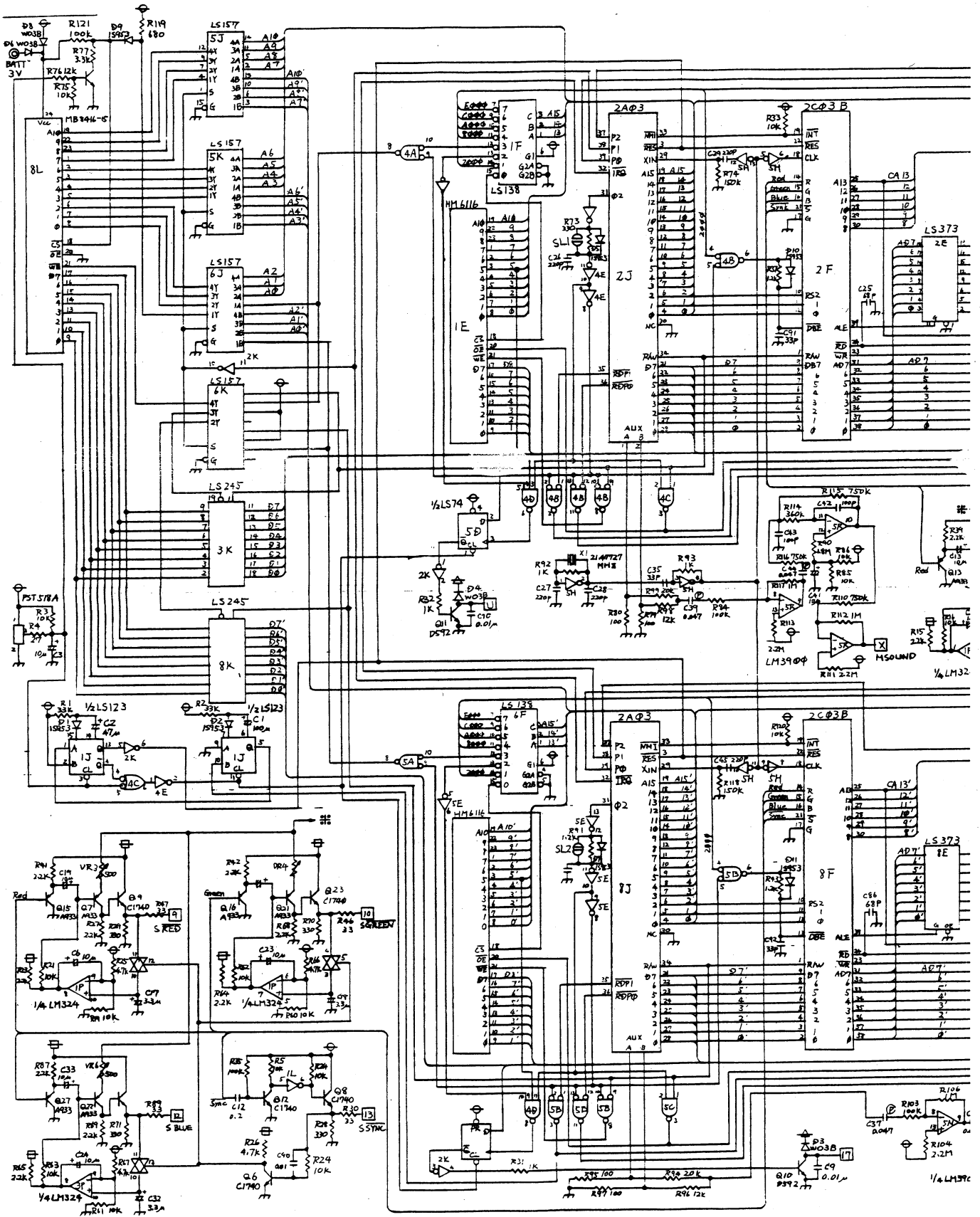
22 20 15 10 5
C176 P1 ± F
C178
+

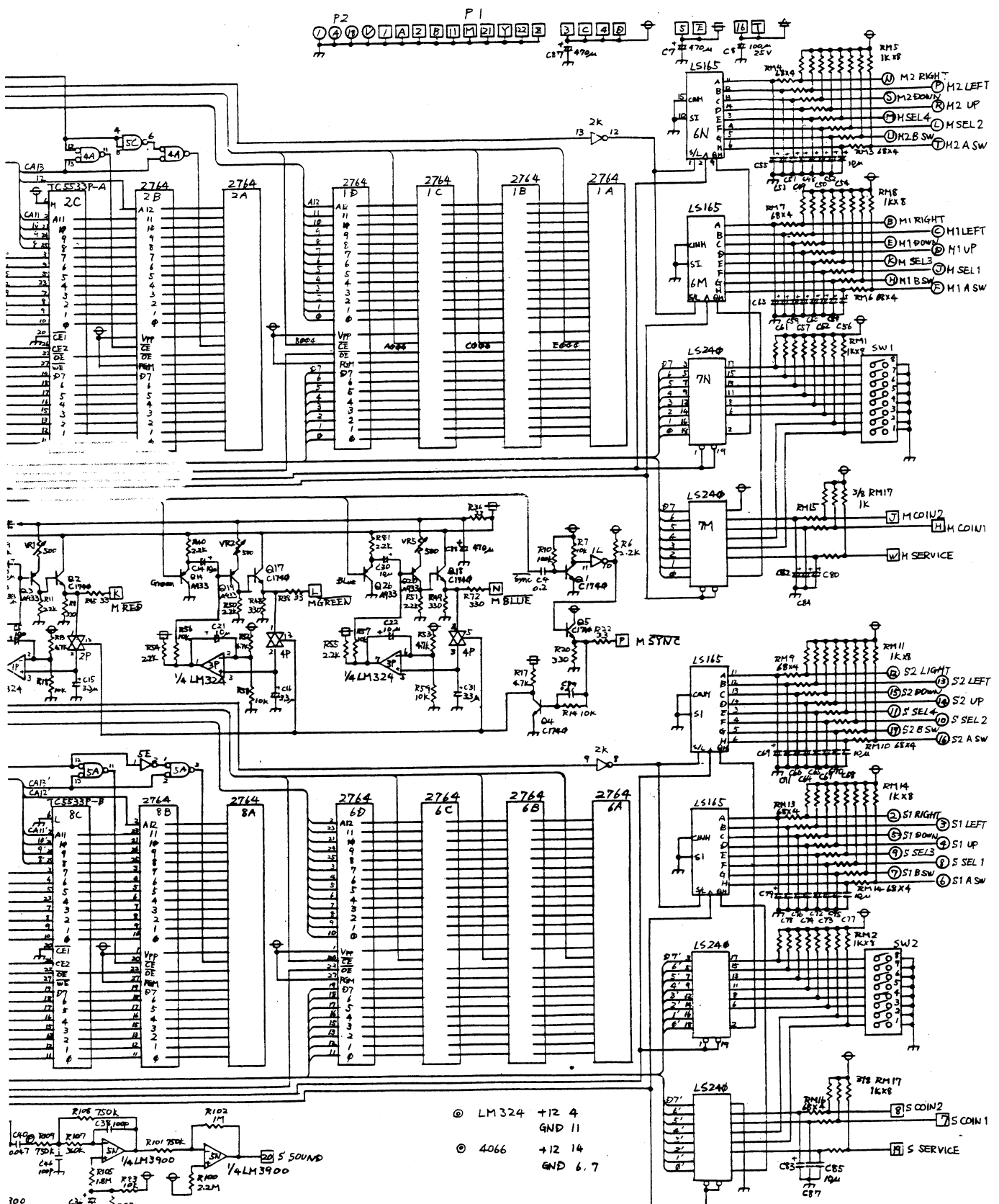
©1984 Nintendo of America Inc.

P2
2 3 4 5 6 7 8
ON SW1
OFF
ON SW2
OFF

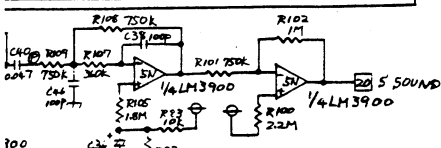
MADE IN JAPAN



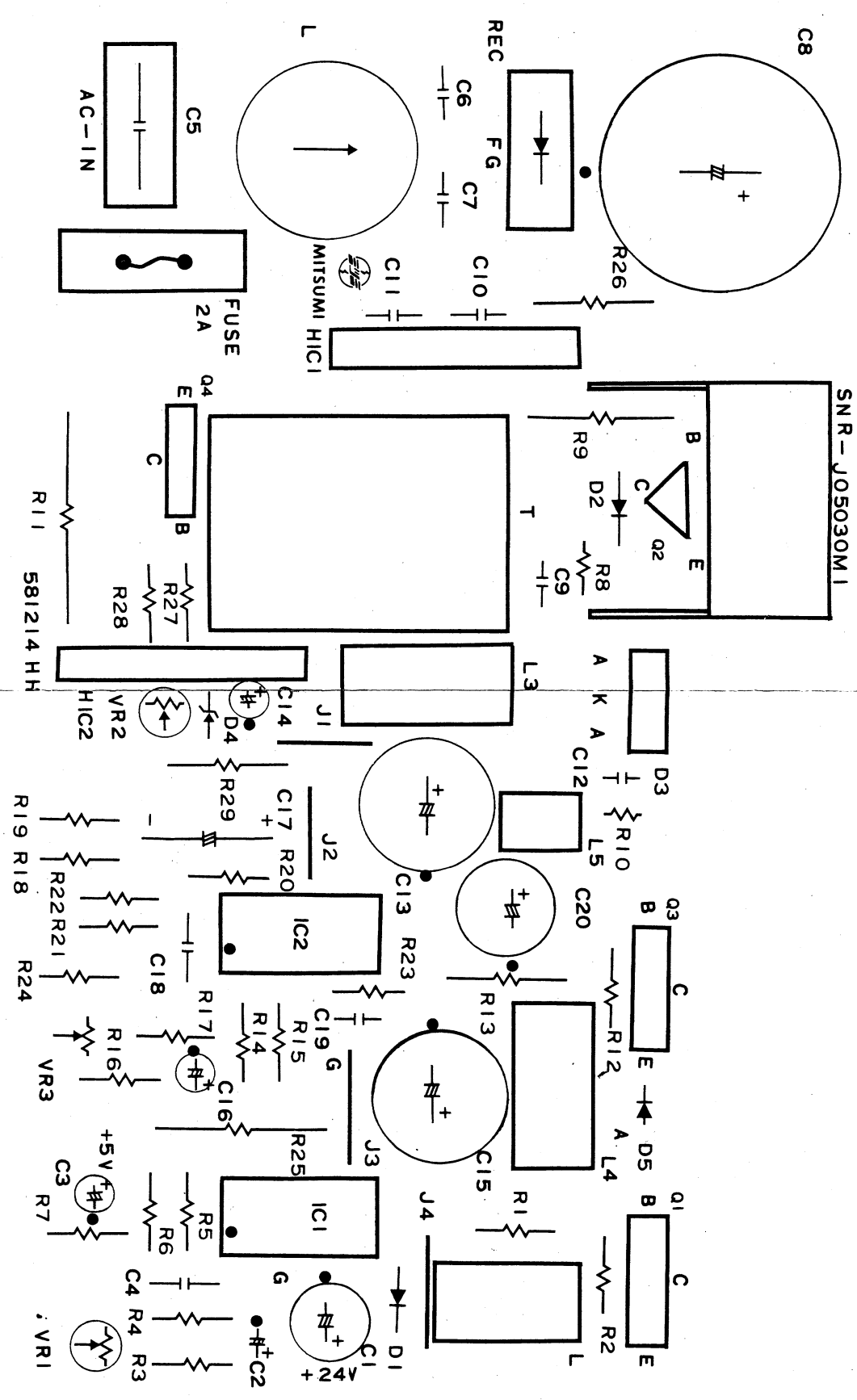




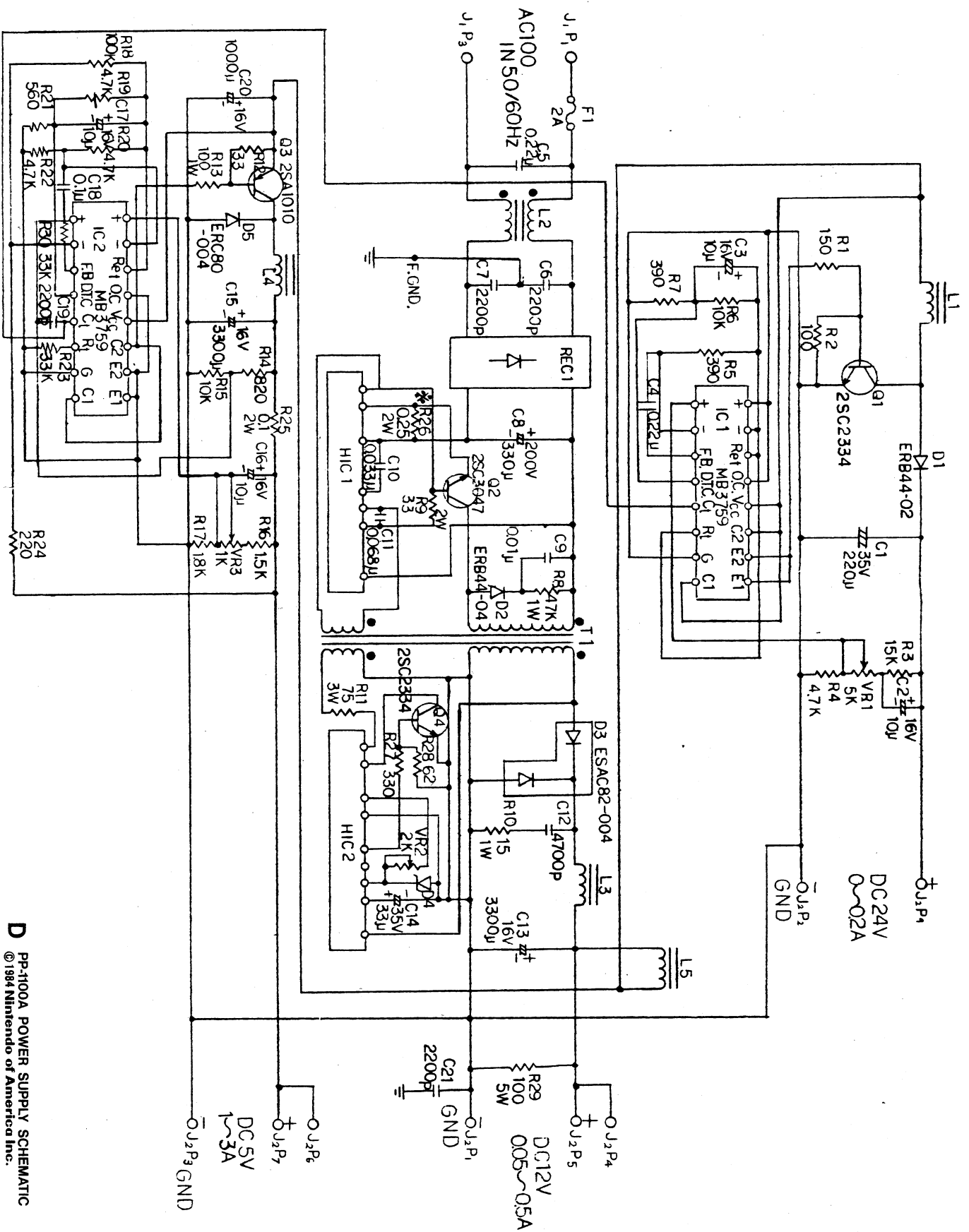
B MDS-02-CPU SCHEMATIC
 © 1984 Nintendo of America Inc.



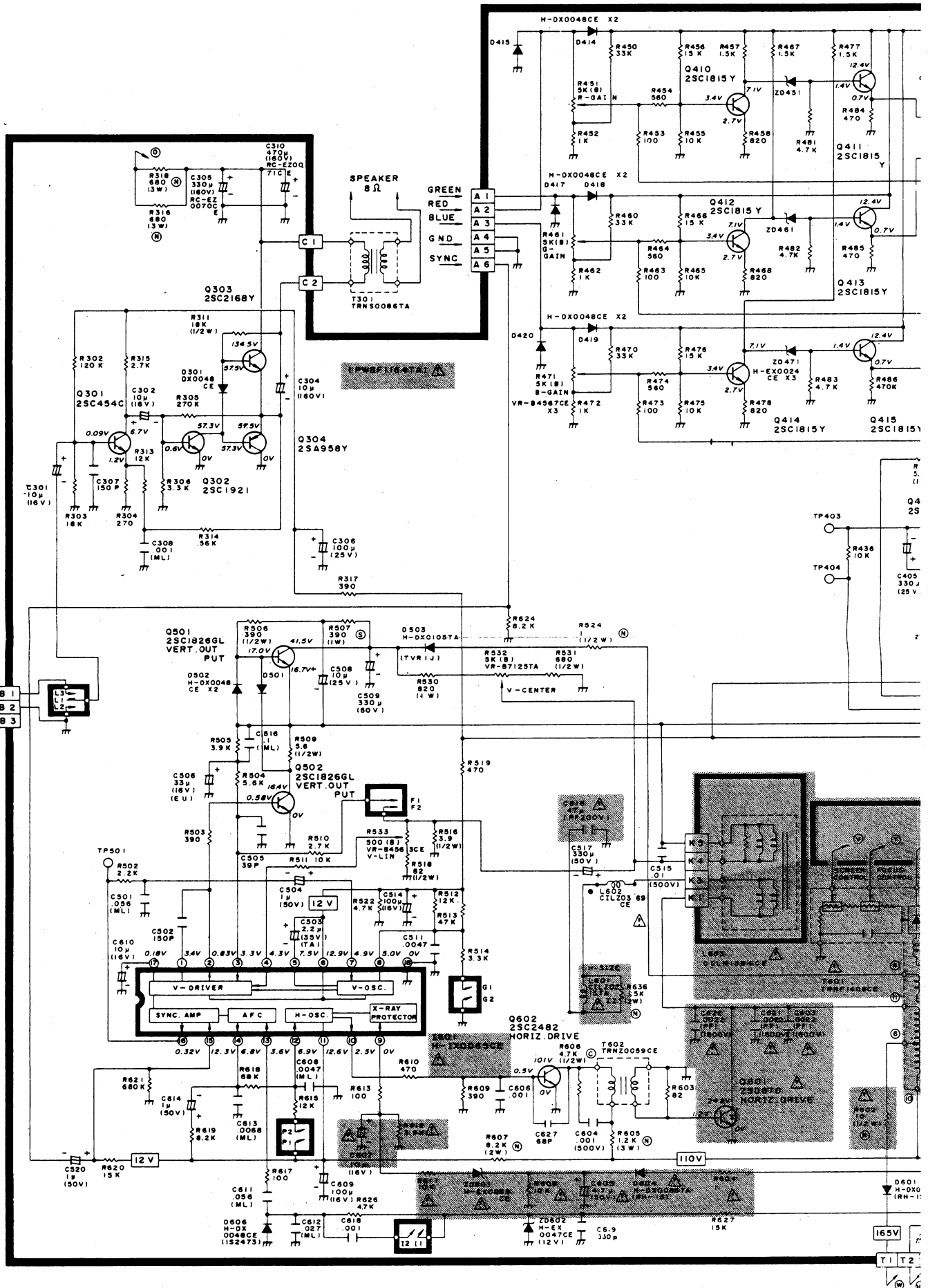
100

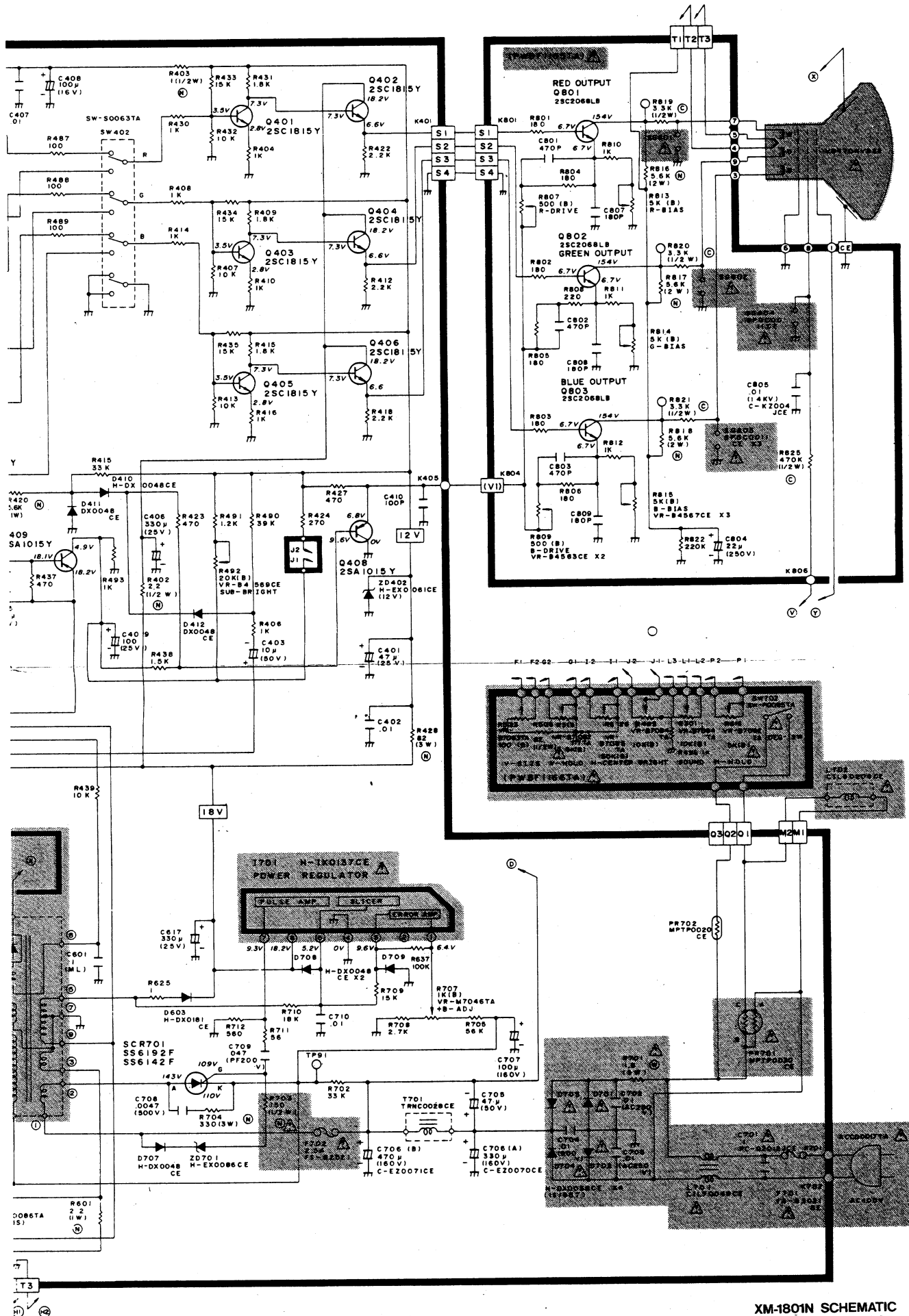


C PP-1100A POWER SUPPLY ASSEMBLY
 ©1984 Nintendo of America Inc.



D PP-1100A POWER SUPPLY SCHEMATIC
 © 1984 Nintendo of America Inc.





XM-1801N SCHEMATIC
 © 1984 Nintendo of America Inc.