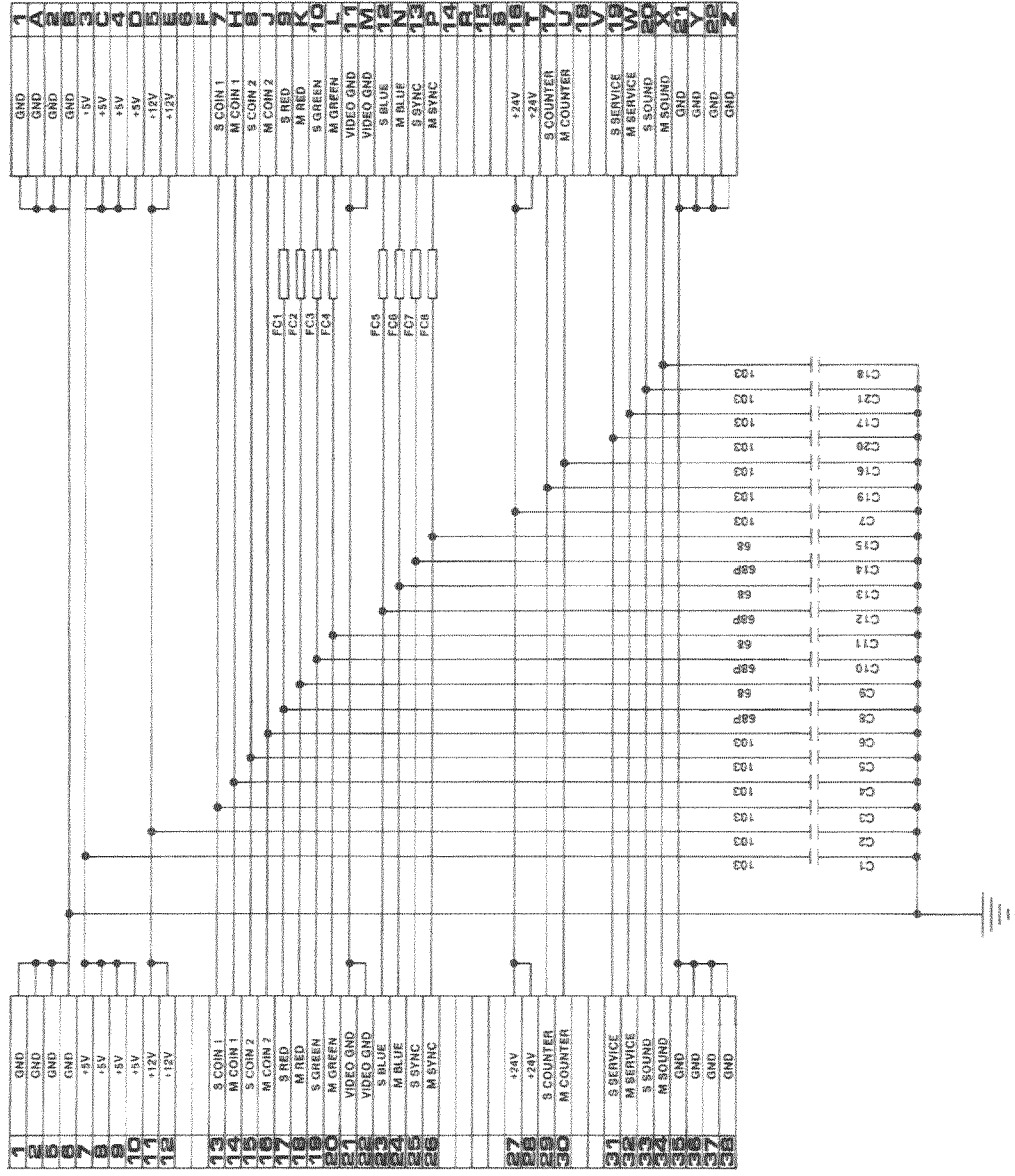


062 40P FCC Connector

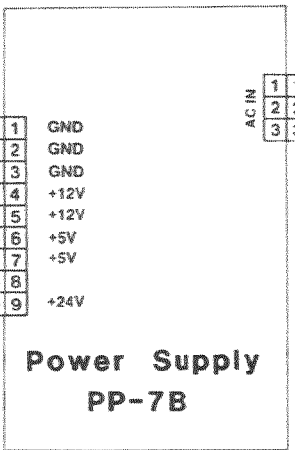
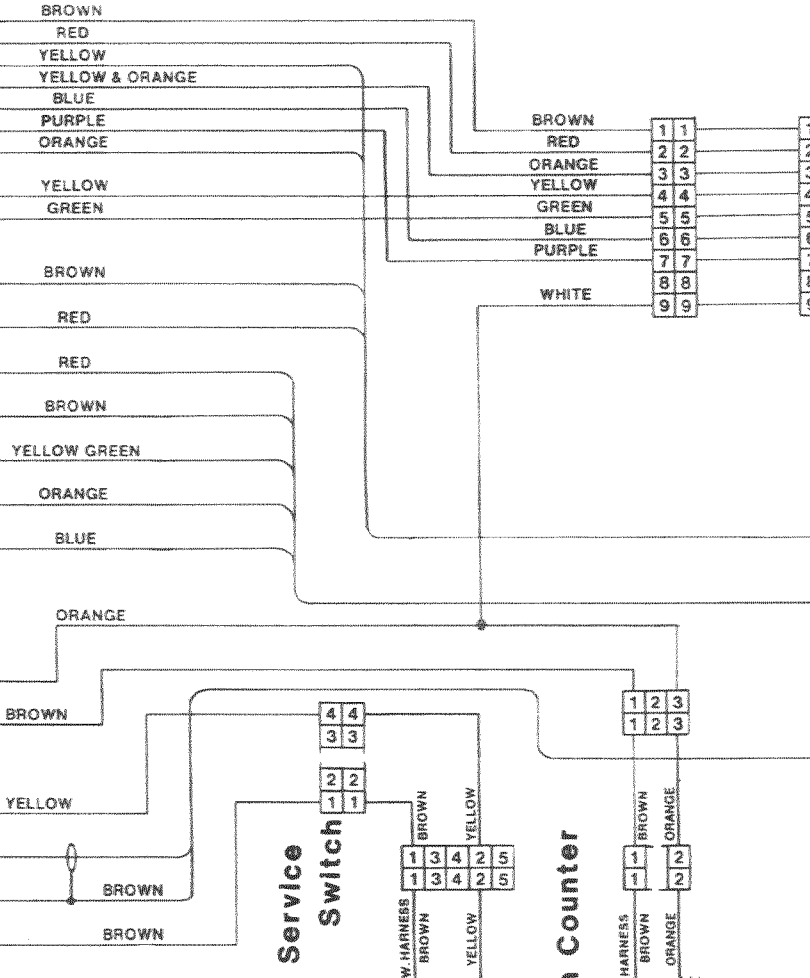
44P Edge Connector



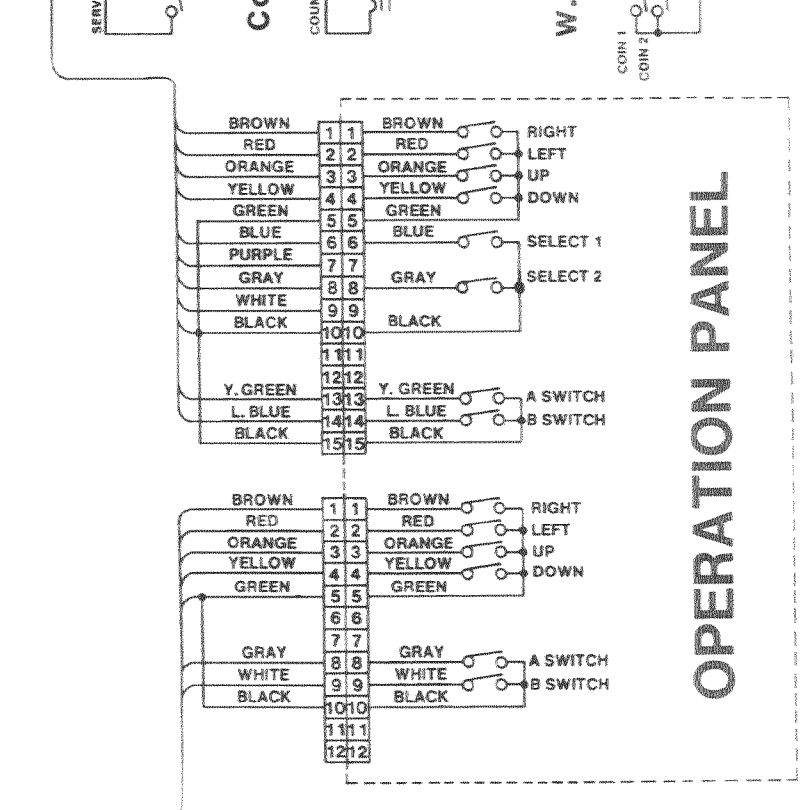
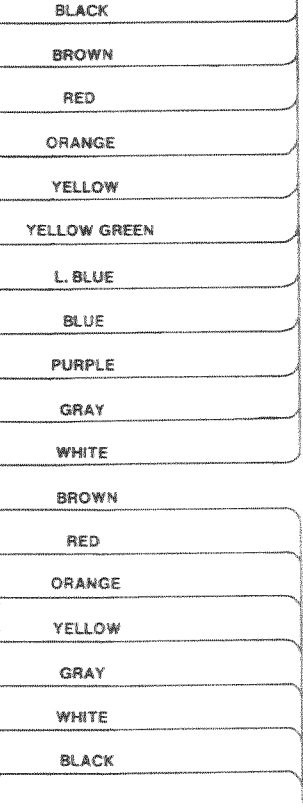
SCHEMATIC

DRAWN BY: W. J. BISHOP
 CHECKED BY: W. J. BISHOP
 DATE: 3 / 10 / 84
062 44P FCC PC Board
 Nintendo of America Inc
 DRAFTED BY: W. J. BISHOP

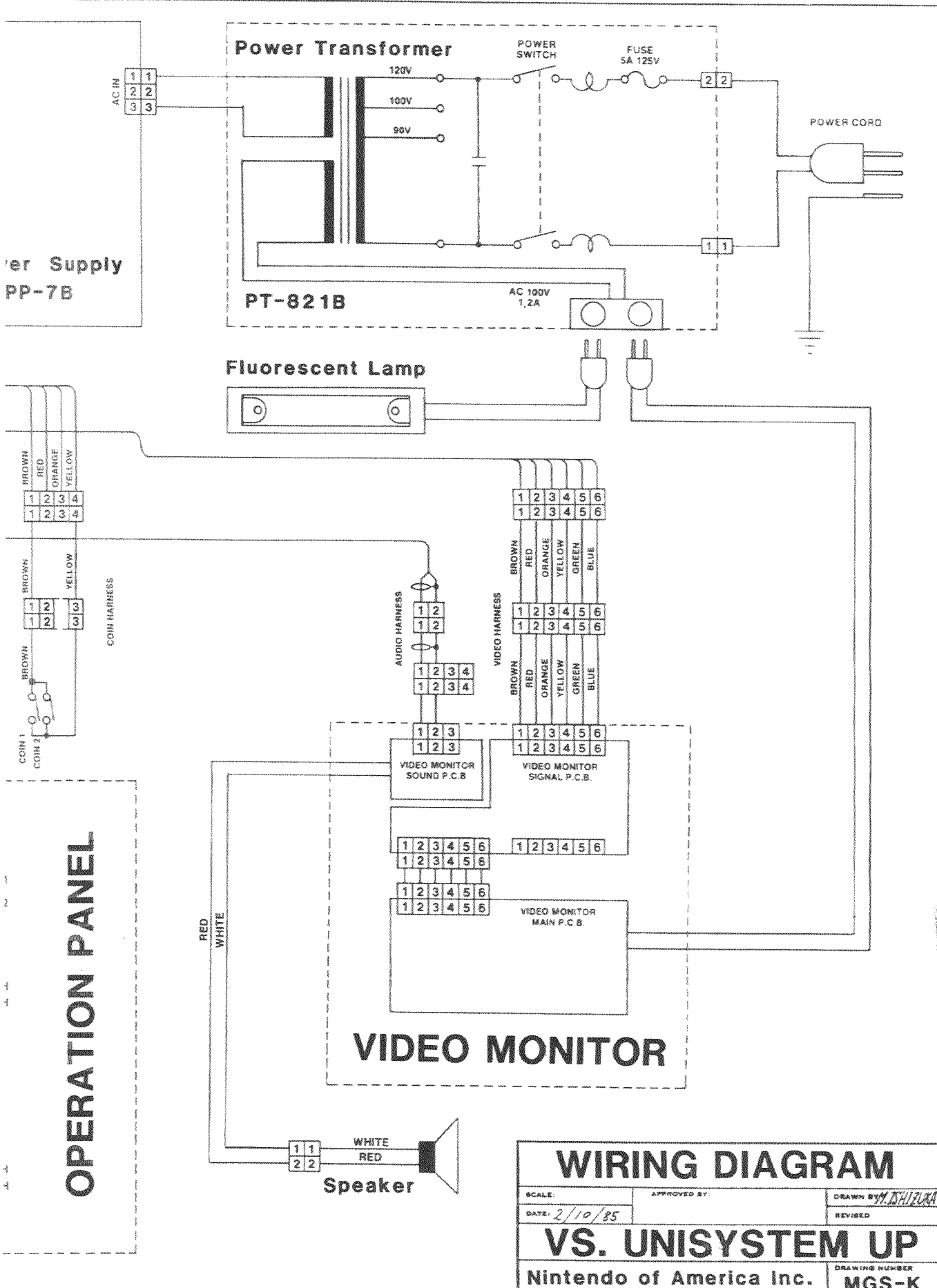
1	GND
A	GND
2	GND
B	GND
3	+5V
C	+5V
4	+5V
D	+12V
E	+12V
F	S COIN 1
7	M COIN 1
8	S COIN 2
9	M COIN 2
J	S RED
K	M RED
10	S GREEN
L	M GREEN
11	V. GND
M	V. GND
12	S BLUE
N	M BLUE
13	S SYNC
P	M SYNC
14	
15	
16	+24V
T	+24V
17	S COUNTER
U	M COUNTER
18	
19	S SERVICE
W	M SERVICE
20	S SOUND
X	M SOUND
21	GND
22	GND
Y	GND
Z	GND



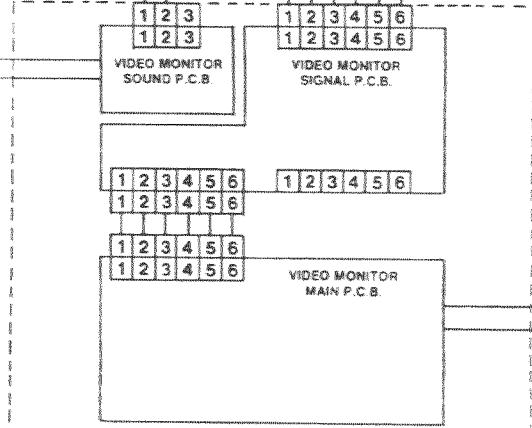
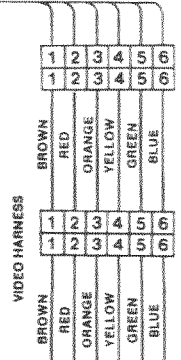
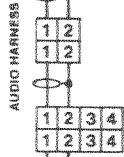
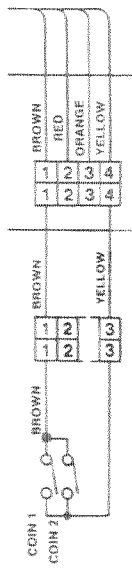
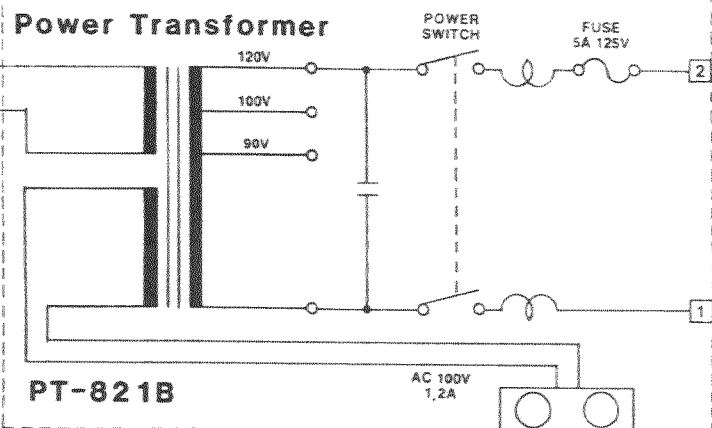
1	GND
A	GND
2	S1 RIGHT
B	M1 RIGHT
3	S1 LEFT
4	M1 LEFT
D	S1 UP
5	M1 UP
E	S1 DOWN
6	M1 DOWN
F	S1 A SWITCH
7	M1 A SWITCH
H	S1 B SWITCH
9	M1 B SWITCH
J	S SELECT 1
K	M SELECT 1
L	S SELECT 2
M	M SELECT 2
N	S SELECT 3
O	M SELECT 3
P	S SELECT 4
Q	M SELECT 4
R	S2 RIGHT
S	M2 RIGHT
T	S2 LEFT
U	M2 LEFT
V	S2 UP
W	M2 UP
X	S2 DOWN
Y	M2 DOWN
Z	S2 A SWITCH
AA	M2 A SWITCH
AB	S2 B SWITCH
AC	M2 B SWITCH
AD	GND
AE	GND



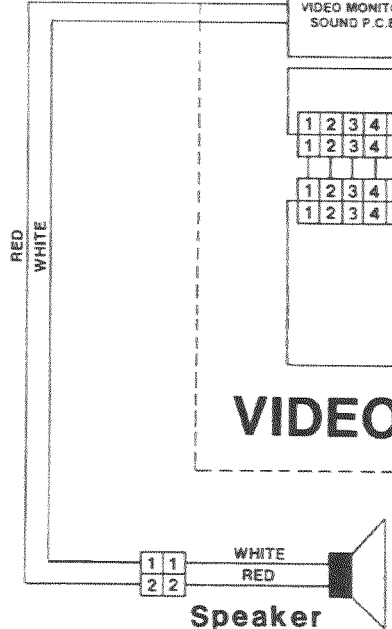
OPERATION PANEL



Power Supply
PP-7B



VIDEO MONITOR



OPERATION PANEL

WIRING DIAGRAM

SCALE: _____ APPROVED BY: _____ DRAWN BY: *M. J. BURKA*
DATE: 2/10/85 _____ REVISED _____

VS. UNISYSTEM UP

Nintendo of America Inc. DRAWING NUMBER
MGS-K

062 44P FCC HARNESS
 062 36P FCC HARNESS
 062 FCC PC BOARD
 NINTENDO OF AMERICA INC.

MDS PCB

062 44P FCC HARNESS

1	GND	BLACK	1	1
A	GND	BLACK	2	2
B	GND	BLACK	3	3
C	GND	BLACK	4	4
D	+5V	RED	5	5
E	+5V	RED	6	6
F	+5V	RED	7	7
G	+12V	ORANGE	8	8
H	+12V	ORANGE	9	9
I			10	10
J	S COIN 1	BROWN	11	11
K	M COIN 1	BROWN	12	12
L	S COIN 2	RED	13	13
M	M COIN 2	RED	14	14
N	S RED	RED	15	15
O	M RED	BROWN	16	16
P	S GREEN	BROWN	17	17
Q	M GREEN	BROWN	18	18
R	V. GND	YELLOW	19	19
S	Y. GND	YELLOW	20	20
T	S BLUE	ORANGE	21	21
U	M BLUE	ORANGE	22	22
V	S SYNC	BLUE	23	23
W	M SYNC	BLUE	24	24
X			25	25
Y			26	26
Z			27	27
			28	28
			29	29
			30	30
			31	31
			32	32
			33	33
			34	34
			35	35
			36	36
			37	37
			38	38

062 44P FCC PCB

44P Edge Harness Connector

062 36P FCC HARNESS

1	GND	BLACK	3	3
A	GND	BLACK	4	4
B	S1 RIGHT	BROWN	5	5
C	M1 RIGHT	BROWN	6	6
D	S1 LEFT	RED	7	7
E	M1 LEFT	RED	8	8
F	S1 UP	ORANGE	9	9
G	M1 UP	ORANGE	10	10
H	S1 DOWN	YELLOW	11	11
I	M1 DOWN	YELLOW	12	12
J	S1 A SWITCH	YELLOW GREEN	13	13
K	M1 A SWITCH	YELLOW GREEN	14	14
L	S1 B SWITCH	LIGHT BLUE	15	15
M	M1 B SWITCH	LIGHT BLUE	16	16
N	S SELECT 1	BLUE	17	17
O	M SELECT 1	BLUE	18	18
P	S SELECT 2	PURPLE	19	19
Q	M SELECT 2	PURPLE	20	20
R	S SELECT 3	GRAY	21	21
S	M SELECT 3	GRAY	22	22
T	S SELECT 4	WHITE	23	23
U	M SELECT 4	WHITE	24	24
V	S2 RIGHT	BROWN	25	25
W	M2 RIGHT	BROWN	26	26
X	S2 LEFT	RED	27	27
Y	M2 LEFT	RED	28	28
Z	S2 UP	ORANGE	29	29
	M2 UP	ORANGE	30	30
	S2 DOWN	YELLOW	31	31
	M2 DOWN	YELLOW	32	32
	S2 A SWITCH	GRAY	33	33
	M2 A SWITCH	GRAY	34	34
	S2 B SWITCH	WHITE	35	35
	M2 B SWITCH	WHITE	36	36
	GND	BLACK	37	37
	GND	BLACK	38	38

062 36P FCC PCB

36P Edge Harness Connector

WIRING DIAGRAM

SCALE: _____ APPROVED BY: _____
 DATE: 3/10/84
 062 FCC PC Board
 Nintendo of America Inc.