

Williams[®]

16P-3001-101 R-T
April, 1981

DEFENDER



For service call TOLL-FREE:
800-621-4765
In Illinois call
800-972-7898

Williams[®] 
ELECTRONICS, INC.

3401 N. California Ave., Chicago, IL 60618
Cable Address: WILCOIN, CHICAGO
(312) 267-2240

SPECIAL NOTES

CPU/Video Board

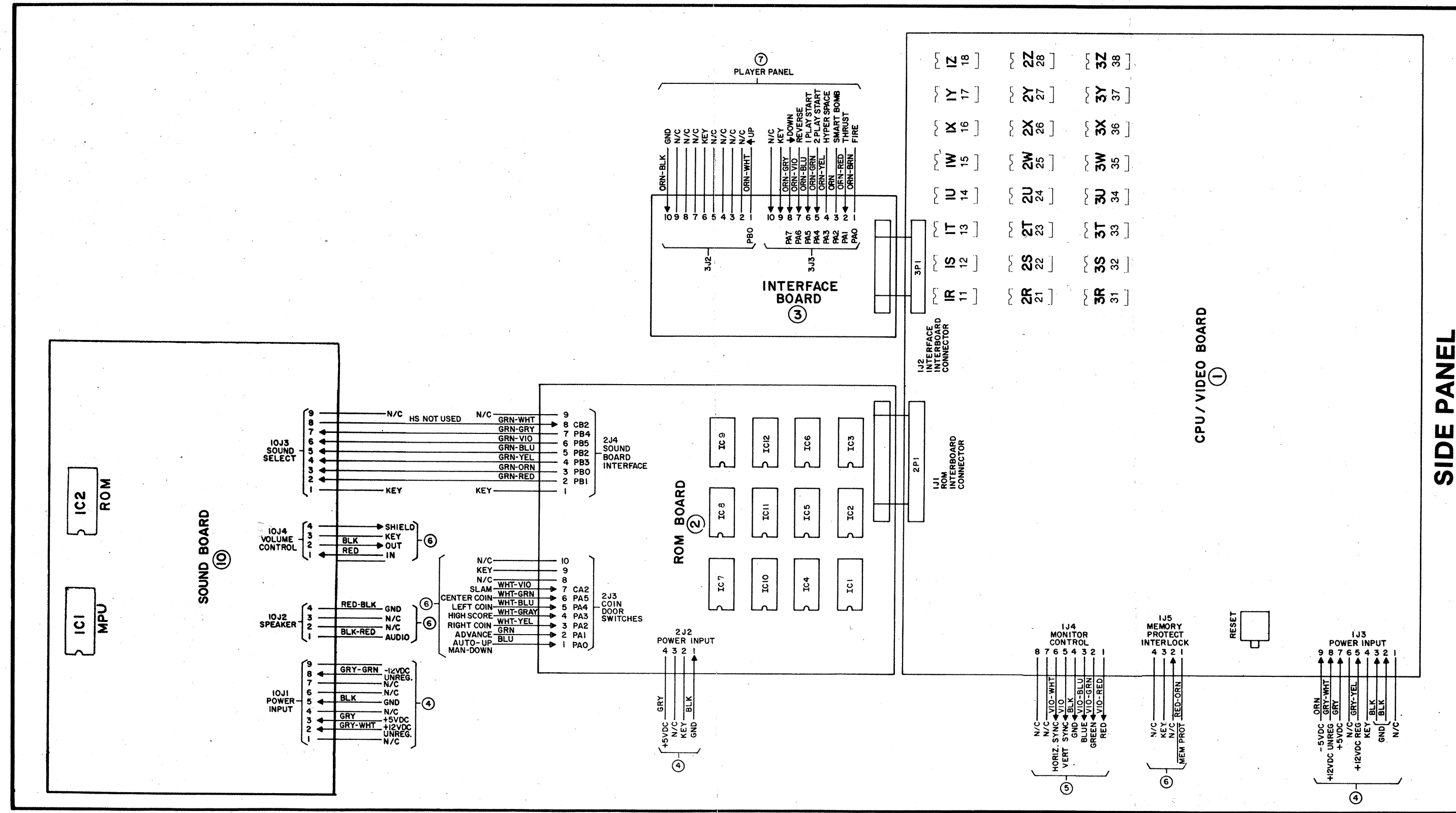
Requires Decoder ROM 2 at location 3K and Decoder ROM 3 at location 3E.

Interface Board

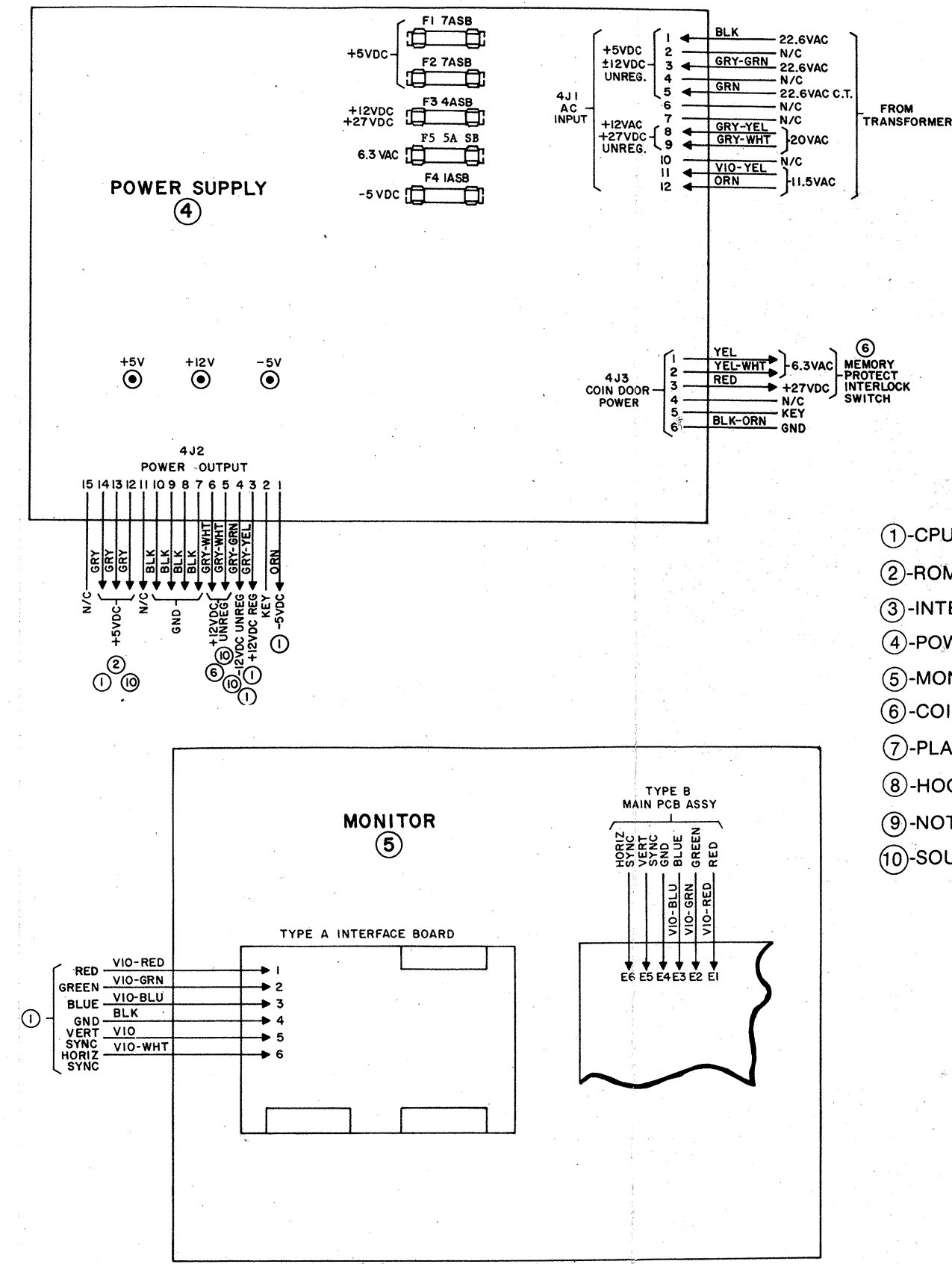
Jumper W1 must be installed. If red-labeled ROMS are not used, W2 must be removed.

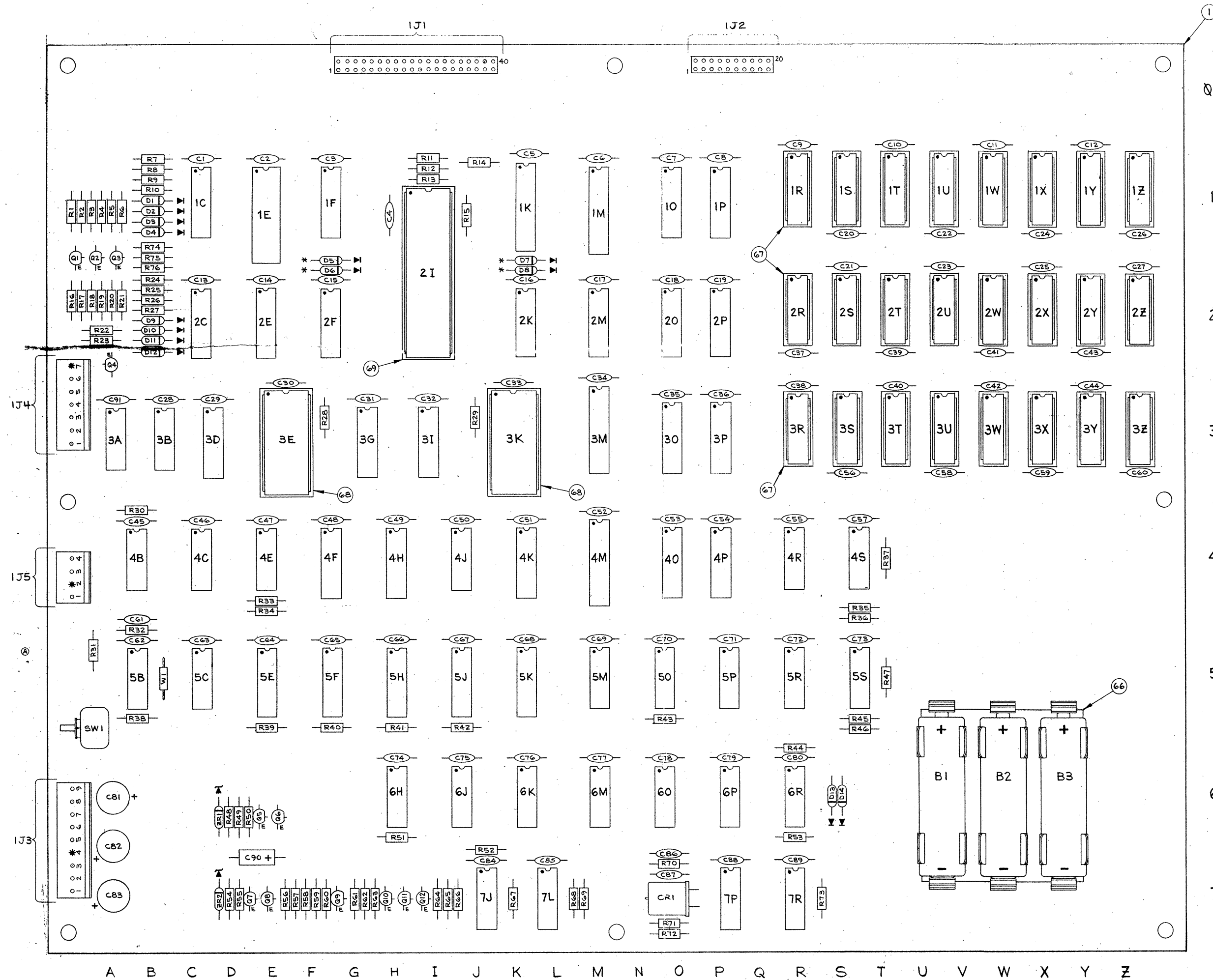
CONTENTS

Interboard Wiring Diagram	3
R8570 CPU/Video Board Assembly Drawing	4
R8570 CPU/Video Board Logic Diagram (1 of 2)	5
R8570 CPU/Video Board Logic Diagram (2 of 2)	6
C8573 Interface Board Assembly and Logic Diagram	7
D8572 ROM Board Assembly Drawing	8
D8572 ROM Board Logic Diagram	9
D8359 Power Supply Board Assembly Drawing	10
D8359 Power Supply Board Schematic Diagram	11
Power Wiring Diagram	12
D8373 Power Panel Assembly Drawing	13
D8121 Sound Board Assembly Drawing	14
D8121 Sound Board Logic Diagram	15
D8224 Sound Board Assembly Drawing	16
D8224 Sound Board Logic Diagram	17
Cabinet Wiring Diagram	18



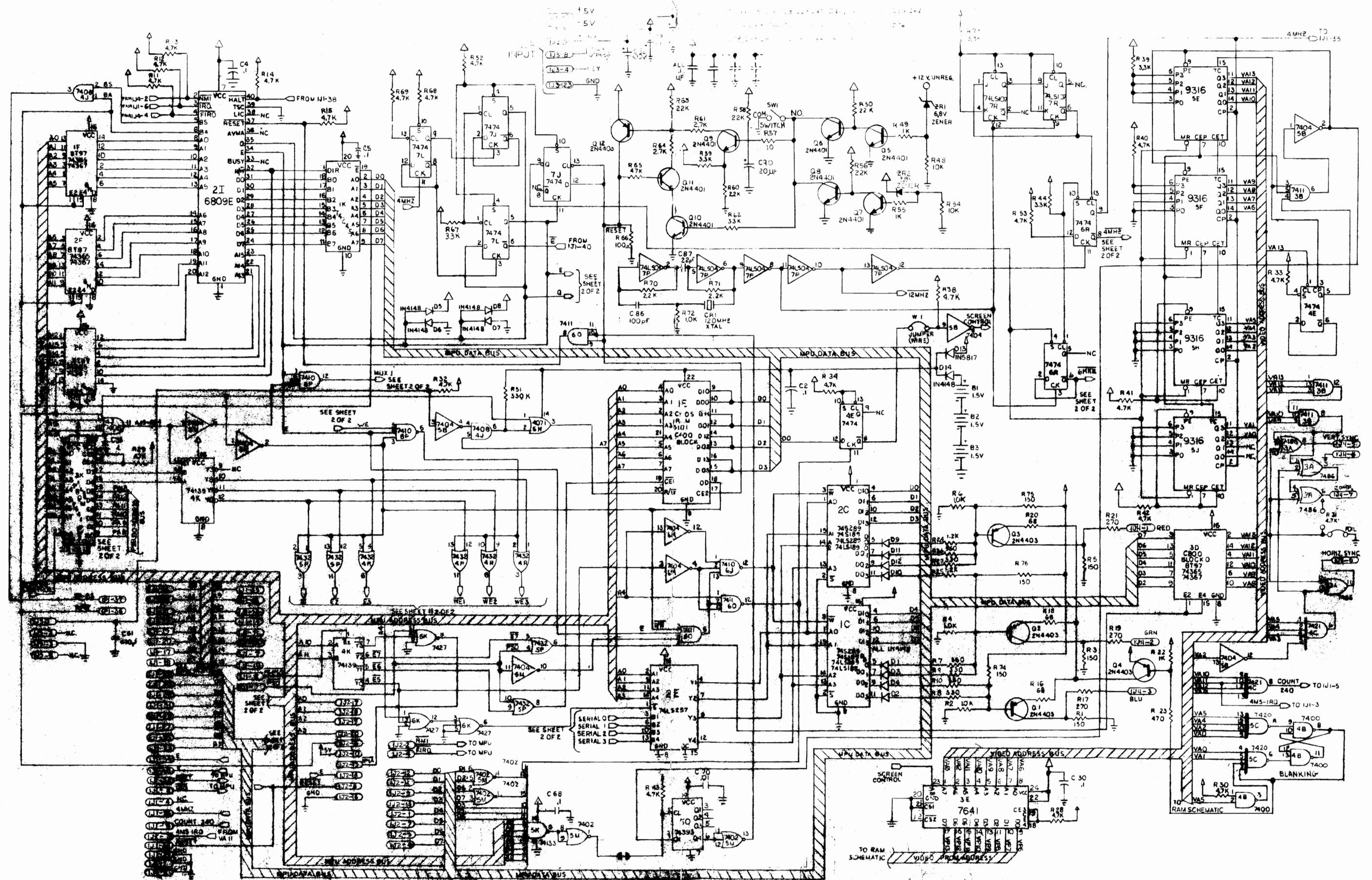
SIDE PANEL



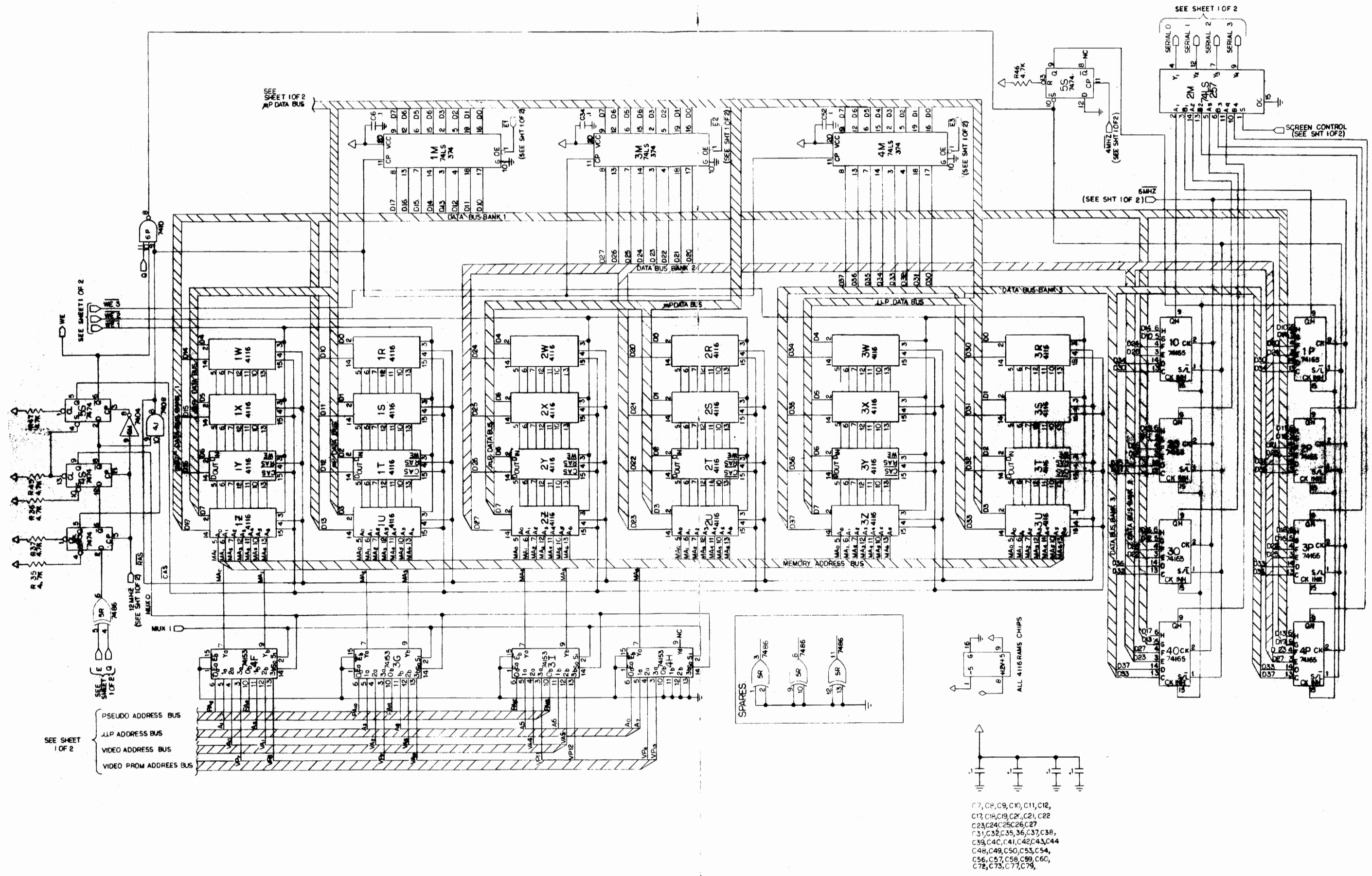


- NOTES:**
1. ALL: IR, IS, IT, IU, IW, IX, IY, IZ, 2A, 2B, 2I, 2J, 2K, 2L, 2M, 2N, 2O, 2P, 2Q, 2R, 2S, 2T, 2U, 2V, 2W, 2X, 2Y, 2Z
 2. 1/2K RESISTORS: R1, R2, R3, R4, R5, R28, R29, R30, R31, R32, R33, R34, R35, R36, R37, R38, R40, R41, R42, R43, R44, R46, R47, R52, R53, R56, R57
 3. 1M RESISTORS: C1, C2, C3, C4, C5, C6, C7, C8, C9, C10, C11, C12, C13, C14, C15, C16, C17, C18, C19, C20, C21, C22, C23, C24, C25, C26, C27, C28, C29, C30, C31, C32, C33, C34, C35, C36, C37, C38, C39, C40, C41, C42, C43, C44, C45, C46, C47, C48, C49, C50, C51, C52, C53, C54, C55, C56, C57, C58, C59, C60, C61, C62, C63, C64, C65, C66, C67, C68, C69, C70, C71, C72, C73, C74, C75, C76, C77, C78, C79, C80, C81, C82, C83, C84, C85, C86, C87, C88, C89, C90
 4. IN4148 DIODE: D1, D2, D3, D4, D5, D6, D7, D8, D9, D10, D11, D12, D13, D14, D15, D16, D17, D18, D19, D20, D21, D22, D23, D24, D25, D26, D27, D28, D29, D30, D31, D32, D33, D34, D35, D36, D37, D38, D39, D40, D41, D42, D43, D44, D45, D46, D47, D48, D49, D50, D51, D52, D53, D54, D55, D56, D57, D58, D59, D60, D61, D62, D63, D64, D65, D66, D67, D68, D69, D70, D71, D72, D73, D74, D75, D76, D77, D78, D79, D80, D81, D82, D83, D84, D85, D86, D87, D88, D89, D90, D91, D92, D93, D94, D95, D96, D97, D98, D99, D100

BILL OF MATERIAL				
ITEM NO.	PART NO.	PART DESIGNATION	DESCRIPTION	QTY
1	5700	—	BARE P.C. BOARD	1
2	5900	4B	7400 QUAD 2-INPUT NAND	1
3	5900	5M	7402 QUAD 2-INPUT NOR	1
4	5901	7P	74104 HEX INVERTER	1
5	5900	5E, 6M	7404 INVERTER	2
6	5900	4J	7408 QUAD AND	1
7	5901	6J, 6P	7410 TRIPLE 3-INPUT NAND	2
8	5900	3E, 6O	7411 TRIPLE 3-INPUT AND	1
9	5900	5C	7420 DUAL 4-INPUT NAND	2
10	5900	4C	7421 DUAL 4-INPUT AND	1
11	5900	4R, 6P	7428 QUAD 2-INPUT OR	2
12	5900	4E, 4F, 7J, 7L	7474 DUAL D-TYPE FLIP-FLOP	4
13	5900	3A, 5R	7480 QUAD 2-INPUT EX-OR	2
14	5901	7R	74LS101 DUAL J-K FLIP-FLOP	1
15	5901	5K	74LS133 DUAL 1- μ S MONOSTAB. MULTIVIBRATOR	1
16	5901	4K	74LS159 DUAL 2- μ S LINE DECODER	1
17	5900	30, 31, 4E, 4H	74103 DUAL 8- μ S DATA INVERTER	4
18	5900	10, 20, 30, 40	74105 8-BIT SHIFT REGISTER	8
19	5900	19, 29, 39, 49	74107 8-BIT SHIFT REGISTER	8
20	5900	16, 26	74LS259 8-KB RAM	2
21	5901	1K	OCTAL BUS TRANSCEIVER	1
22	5901	2E, 2M	74LS245 OCTAL DATA MULTIPLEXER	2
23	5900	1F, 2F	HEX. 15 BUFFER	4
24	5900	24, 30	HEX. BUS DRIVER	4
25	5901	1M, 3M, 4M	74LS274 OCTAL D-TYPE FLIP-FLOP	3
26	5901	4S, 6S	DUAL D-TYPE FLIP-FLOP	2
27	5901	50	74LS293 DUAL 4-BIT BIN. COUNTER	1
28	5900	3E, 3K	74LS164 8-BIT SERIAL IN/SHIFT REGISTER	2
29	5901	6H	4071 CMOS QUAD 2-INPUT NOR	1
30	5900	SEE NOTE 1	7418 (400 NS ACCESS) 8-K AT DYNAMIC RAM	24
31	5900	1E	5101 4-K CMOS RAM	1
32	5900	5E, 5F, 5H, 5J	5104 4-K BIN. COUNTER	4
33	5900	2I	6807E MICROPROCESSOR	1
34	5900	6A	7427 TRIPLE 3-INPUT POS-NAND	1
35	5900	R16, R18, R38	RESISTOR, C-F, 10 OHM, 5% 1/4 W.	3
36	5900	R46	RESISTOR, C-F, 100 OHM, 5% 1/4 W.	1
37	5900	R1, R2, R3, R4, R5, R6, R7, R8, R9, R10, R11, R12, R13, R14, R15, R17, R19, R20, R21, R22, R23, R24, R25, R26, R27, R28, R29, R30, R31, R32, R33, R34, R35, R36, R37, R39, R40, R41, R42, R43, R44, R45, R47, R48, R49, R50, R51, R52, R53, R54, R55, R56, R57, R58, R59, R60, R61, R62, R63, R64, R65, R66, R67, R68, R69, R70, R71, R72, R73, R74, R75, R76, R77, R78, R79, R80, R81, R82, R83, R84, R85, R86, R87, R88, R89, R90, R91, R92, R93, R94, R95, R96, R97, R98, R99, R100	RESISTOR, C-F, 10 OHM, 5% 1/4 W.	100
38	5900	R1, R2, R3, R4, R5, R6, R7, R8, R9, R10, R11, R12, R13, R14, R15, R17, R19, R20, R21, R22, R23, R24, R25, R26, R27, R28, R29, R30, R31, R32, R33, R34, R35, R36, R37, R39, R40, R41, R42, R43, R44, R45, R47, R48, R49, R50, R51, R52, R53, R54, R55, R56, R57, R58, R59, R60, R61, R62, R63, R64, R65, R66, R67, R68, R69, R70, R71, R72, R73, R74, R75, R76, R77, R78, R79, R80, R81, R82, R83, R84, R85, R86, R87, R88, R89, R90, R91, R92, R93, R94, R95, R96, R97, R98, R99, R100	RESISTOR, C-F, 10 OHM, 5% 1/4 W.	100
39	5900	R16, R18, R38	RESISTOR, C-F, 10 OHM, 5% 1/4 W.	3
40	5900	R46	RESISTOR, C-F, 100 OHM, 5% 1/4 W.	1
41	5900	R1, R2, R3, R4, R5, R6, R7, R8, R9, R10, R11, R12, R13, R14, R15, R17, R19, R20, R21, R22, R23, R24, R25, R26, R27, R28, R29, R30, R31, R32, R33, R34, R35, R36, R37, R39, R40, R41, R42, R43, R44, R45, R47, R48, R49, R50, R51, R52, R53, R54, R55, R56, R57, R58, R59, R60, R61, R62, R63, R64, R65, R66, R67, R68, R69, R70, R71, R72, R73, R74, R75, R76, R77, R78, R79, R80, R81, R82, R83, R84, R85, R86, R87, R88, R89, R90, R91, R92, R93, R94, R95, R96, R97, R98, R99, R100	RESISTOR, C-F, 10 OHM, 5% 1/4 W.	100
42	5900	R33, R44, R50	RESISTOR, C-F, 10 OHM, 5% 1/4 W.	3
43	5900	R2, R3, R4, R5, R6, R7, R8, R9, R10, R11, R12, R13, R14, R15, R17, R19, R20, R21, R22, R23, R24, R25, R26, R27, R28, R29, R30, R31, R32, R33, R34, R35, R36, R37, R39, R40, R41, R42, R43, R44, R45, R47, R48, R49, R50, R51, R52, R53, R54, R55, R56, R57, R58, R59, R60, R61, R62, R63, R64, R65, R66, R67, R68, R69, R70, R71, R72, R73, R74, R75, R76, R77, R78, R79, R80, R81, R82, R83, R84, R85, R86, R87, R88, R89, R90, R91, R92, R93, R94, R95, R96, R97, R98, R99, R100	RESISTOR, C-F, 10 OHM, 5% 1/4 W.	100
44	5900	R50, R56	RESISTOR, C-F, 10 OHM, 5% 1/4 W.	2
45	5900	R50, R56	RESISTOR, C-F, 10 OHM, 5% 1/4 W.	2
46	5900	R50, R56	RESISTOR, C-F, 10 OHM, 5% 1/4 W.	2
47	5900	R50, R56	RESISTOR, C-F, 10 OHM, 5% 1/4 W.	2
48	5900	R50, R56	RESISTOR, C-F, 10 OHM, 5% 1/4 W.	2
49	5900	R50, R56	RESISTOR, C-F, 10 OHM, 5% 1/4 W.	2
50	5900	R50, R56	RESISTOR, C-F, 10 OHM, 5% 1/4 W.	2
51	5900	R50, R56	RESISTOR, C-F, 10 OHM, 5% 1/4 W.	2
52	5900	R50, R56	RESISTOR, C-F, 10 OHM, 5% 1/4 W.	2
53	5900	R50, R56	RESISTOR, C-F, 10 OHM, 5% 1/4 W.	2
54	5900	R50, R56	RESISTOR, C-F, 10 OHM, 5% 1/4 W.	2
55	5900	R50, R56	RESISTOR, C-F, 10 OHM, 5% 1/4 W.	2
56	5900	R50, R56	RESISTOR, C-F, 10 OHM, 5% 1/4 W.	2
57	5900	R50, R56	RESISTOR, C-F, 10 OHM, 5% 1/4 W.	2
58	5900	R50, R56	RESISTOR, C-F, 10 OHM, 5% 1/4 W.	2
59	5900	R50, R56	RESISTOR, C-F, 10 OHM, 5% 1/4 W.	2
60	5900	R50, R56	RESISTOR, C-F, 10 OHM, 5% 1/4 W.	2
61	5900	R50, R56	RESISTOR, C-F, 10 OHM, 5% 1/4 W.	2
62	5900	R50, R56	RESISTOR, C-F, 10 OHM, 5% 1/4 W.	2
63	5900	R50, R56	RESISTOR, C-F, 10 OHM, 5% 1/4 W.	2
64	5900	R50, R56	RESISTOR, C-F, 10 OHM, 5% 1/4 W.	2
65	5900	R50, R56	RESISTOR, C-F, 10 OHM, 5% 1/4 W.	2
66	5900	R50, R56	RESISTOR, C-F, 10 OHM, 5% 1/4 W.	2
67	5900	R50, R56	RESISTOR, C-F, 10 OHM, 5% 1/4 W.	2
68	5900	R50, R56	RESISTOR, C-F, 10 OHM, 5% 1/4 W.	2
69	5900	R50, R56	RESISTOR, C-F, 10 OHM, 5% 1/4 W.	2
70	5900	R50, R56	RESISTOR, C-F, 10 OHM, 5% 1/4 W.	2
71	5900	R50, R56	RESISTOR, C-F, 10 OHM, 5% 1/4 W.	2
72	5900	R50, R56	RESISTOR, C-F, 10 OHM, 5% 1/4 W.	2
73	5900	R50, R56	RESISTOR, C-F, 10 OHM, 5% 1/4 W.	2
74	5900	R50, R56	RESISTOR, C-F, 10 OHM, 5% 1/4 W.	2
75	5900	R50, R56	RESISTOR, C-F, 10 OHM, 5% 1/4 W.	2
76	5900	R50, R56	RESISTOR, C-F, 10 OHM, 5% 1/4 W.	2



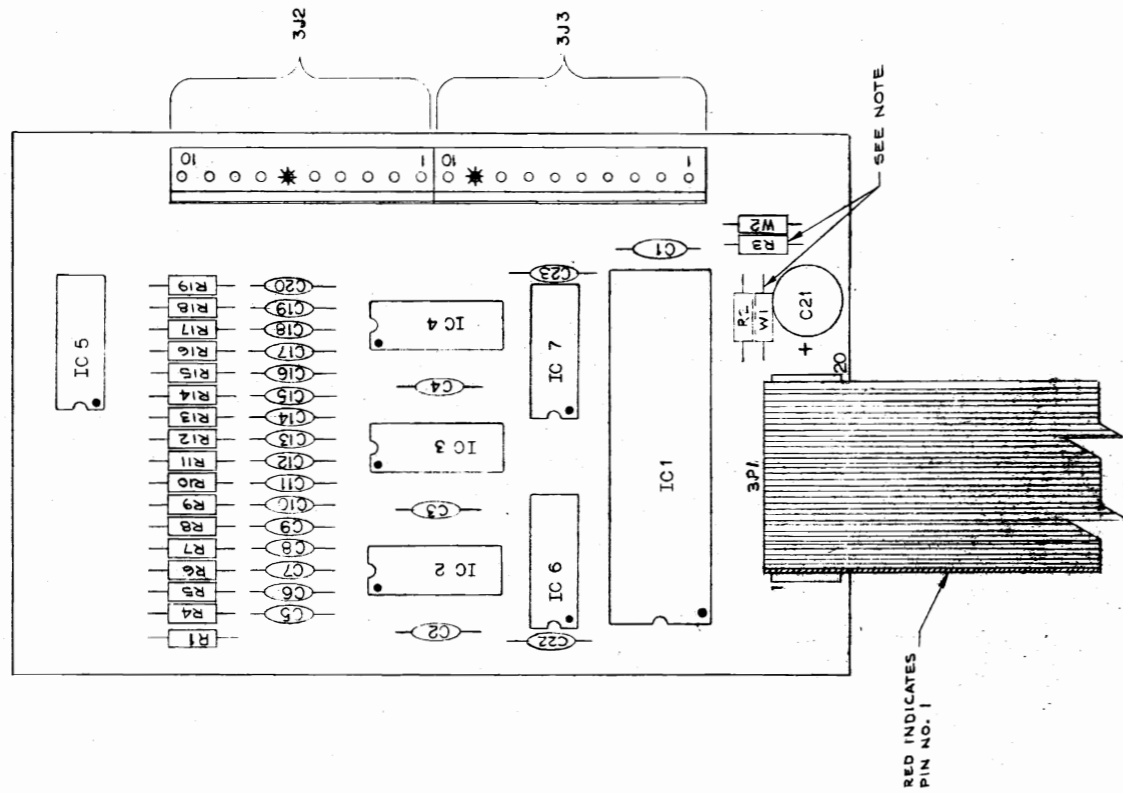
R8570 CPU/Video Board Logic Diagram
(Sheet 1 of 2)



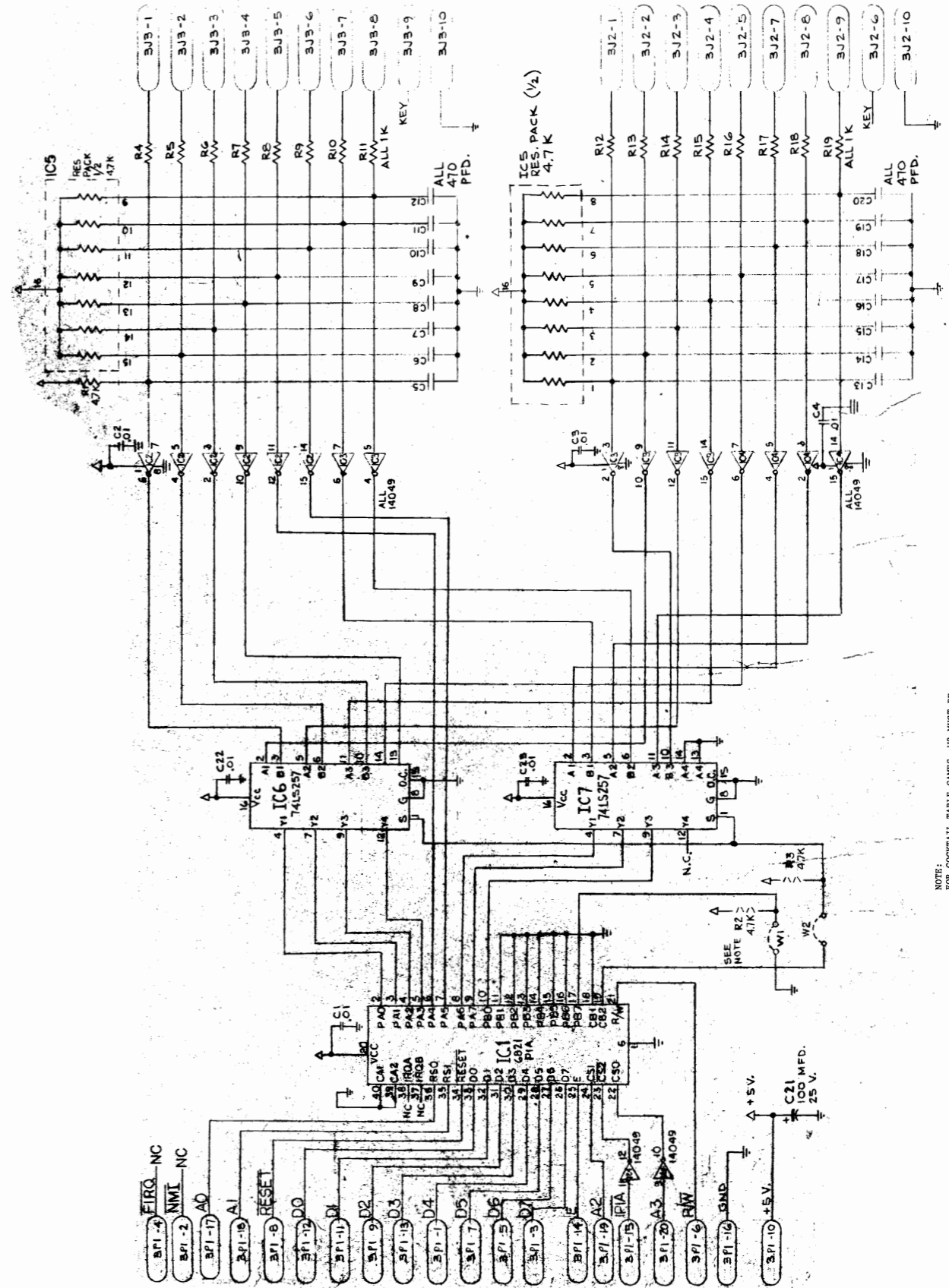
R8570 CPU/Video Board Logic Diagram
(Sheet 2 of 2)

BILL OF MATERIALS

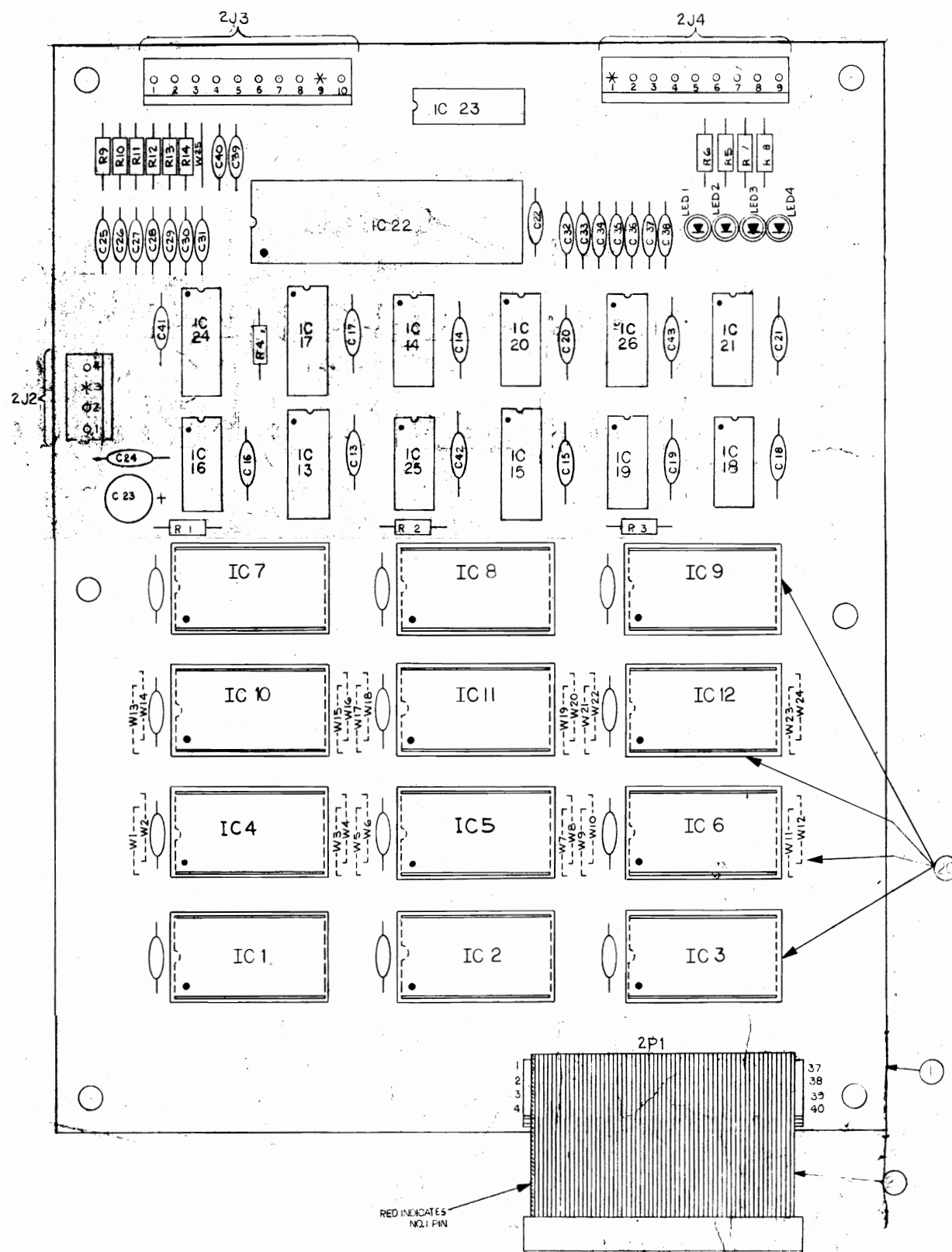
ITEM NO.	PART NO.	PART DESIGNATION	DESCRIPTION	NO. REQD.
1	5312	03644-00	BARE P.C. BOARD	1
2	5310	IC2, IC3, IC4	4049 CMOS HEX INVERTER	3
3	08775-00	IC5	4772 15 RES 16PIN DIP PACK	1
4	5381-00	IC6, IC7	74LS257 QUAD DATA MULTIPLEXER	2
5	03485-00	R1, R2, R3	RESISTOR, 1/2 WATT	3
6	5010	R4 THRU R19	RESISTOR, 1/2 WATT	16
7	09358-00	C5 THRU C20	CAPACITOR, CERAMIC DISC, 10 OHM 5%	16
8	5048-00	C21	CAPACITOR, CERAMIC DISC, 100 MFD, 25 VOLT, +50, -10%	1
9	09380-00	C2, C3, C4, C22, C23	CAPACITOR, CERAMIC DISC, .01 MFD, 50 V, +50, -20%	6
10	09444-00	3J1, 3J3	10 PIN HEADER 09-65-1101	2
11	5795	3P1	20 PIN RIBBON CABLE Assy	1
12	5690	IC1	6821 PIA	1
13	09234-00	W1, W2	0 OHM RESISTOR	2



NOTE:
FOR COCKTAIL TABLE GAMES, W2 MUST BE CONNECTED AND W1 MUST BE REMOVED.
FOR UPRIGHT GAMES, W1 MUST BE CONNECTED. WITH RED-LABELED ROMS, W2 MAY BE CONNECTED OR REMOVED. WITH LABELS OF OTHER COLORS, W2 MUST BE REMOVED.

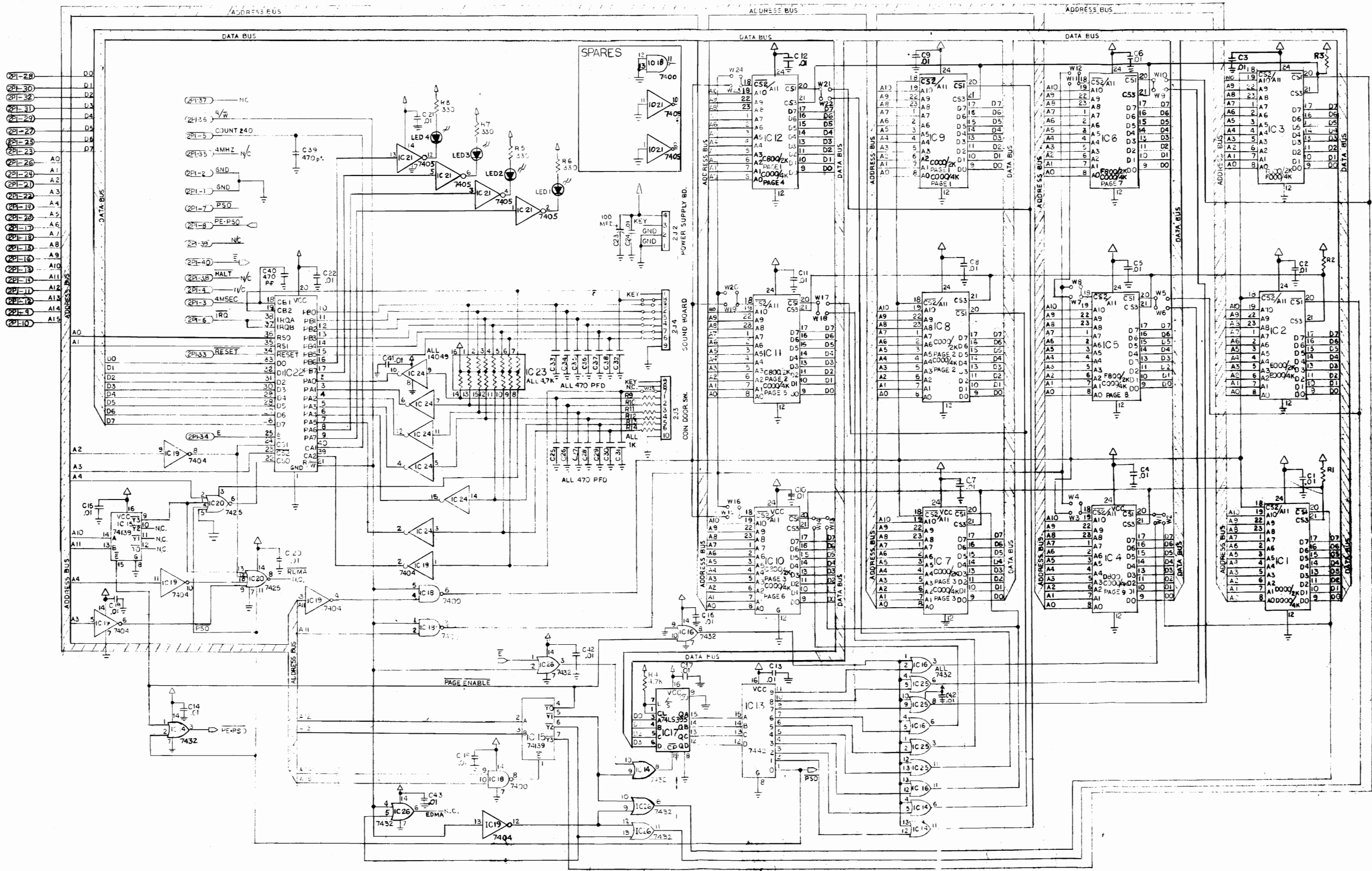


NOTE:
FOR COCKTAIL TABLE GAMES, W2 MUST BE CONNECTED AND W1 MUST BE REMOVED.
FOR UPRIGHT GAMES, W1 MUST BE CONNECTED. WITH RED-LABELED ROMS, W2 MAY BE CONNECTED OR REMOVED. WITH LABELS OF OTHER COLORS, W2 MUST BE REMOVED.

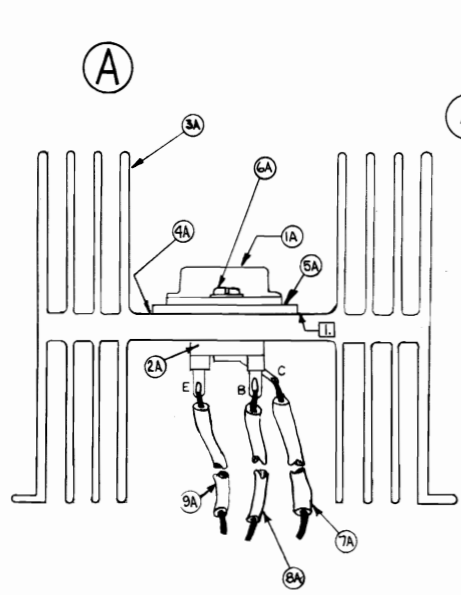


BILL OF MATERIALS		
PART NO.	DESIGNATION	DESCRIPTION
1	5171-0945-00	BARE PCB BOARD
2	5280-09013-00	IC13 7442 BCD DECODER
3	5280-09471-00	IC14, IC16, IC25, IC24 7432 QUADRUPLE 2-INPUT
4	5281-09246-00	IC15 74LS191 DUAL 2-TO-9 LINE DECODER
5	5281-09201-00	IC17 74LS293 3-BIT BINARY SHIFT REGISTER
6	5280-09073-00	IC18 7400 QUADRUPLE NAND
7	5280-09013-00	IC19 7404 HEX INVERTERS
8	5280-09551-00	IC20 7432 QUADRUPLE 2-INPUT
9	5280-09519-00	IC21 7405 OPEN-COLLECTOR OUTPUTS
10	5430-09872-00	IC22 MC6821 PIA
11	5019-09339-00	IC23 5.7K 15 RES 15 PIN DIP PACK
12	5671-09018-00	LED1 THRU LED4 LED, RED
13	5010-09001-00	R1 THRU R4 RESISTOR, C.F. 330 OHM 5/2 W
14	5010-09391-00	R4 RESISTOR, C.F. 33 OHM 5/2 W
15		
16	5043-09490-00	C1 THRU C16, C18, C19, C20, C21, C22, C23, C24 CARBONIC (MED) 50V 500 PFD
17	5040-09491-00	C23 CAP. ELECT. 100 MFD 25V RAD.
18	5043-09336-00	C24 CARBONIC (MED) 50V 330 PFD
19	5043-09045-00	C20, C22 THRU C24 CARBONIC 70 PFD 50V 500 PFD
20	5100-09004-00	24 PIN IC SOCKET
21	5780-09611-00	2P1 50 PIN RIBBON CABLE ASSEMBLY
22	5781-09078-00	2J2 4 PIN MALE CONNECTOR
23	5780-09144-00	2J3 10 PIN MALE CONNECTOR
24	5781-09078-00	2J4 4 PIN MALE CONNECTOR
25	5010-09378-00	IC24 4049 INVERTING HEX. BUZZER
26	5010-09358-00	R9 THRU R14 RESISTOR, C.F. 1K OHM 5/2 W
27	5010-09534-00	W1 THRU W25 RESISTOR, C.F. 0 OHM
28	SEE CHART	IC1 THRU IC12 SEE CHART
		AS REQD

GAME NAME	"DEFENDER" RED LABEL				
ASSEM. NO.	D-8572-3001				
IC1	A-5343-09636				
IC2	A-5343-09637				
IC3	A-5343-09638				
IC4	A-5343-09639				
IC5	NOT USED				
IC6	A-5343-09640				
IC7	A-5343-09641				
IC8	A-5343-09642				
IC9	A-5343-09643				
IC10	A-5343-09644				
IC11	A-5343-09645				
IC12	A-5343-09646				
JUMPERS	W2, W4, W6, W7, W9, W11, W13, W16, W17, W20, W21, W24				

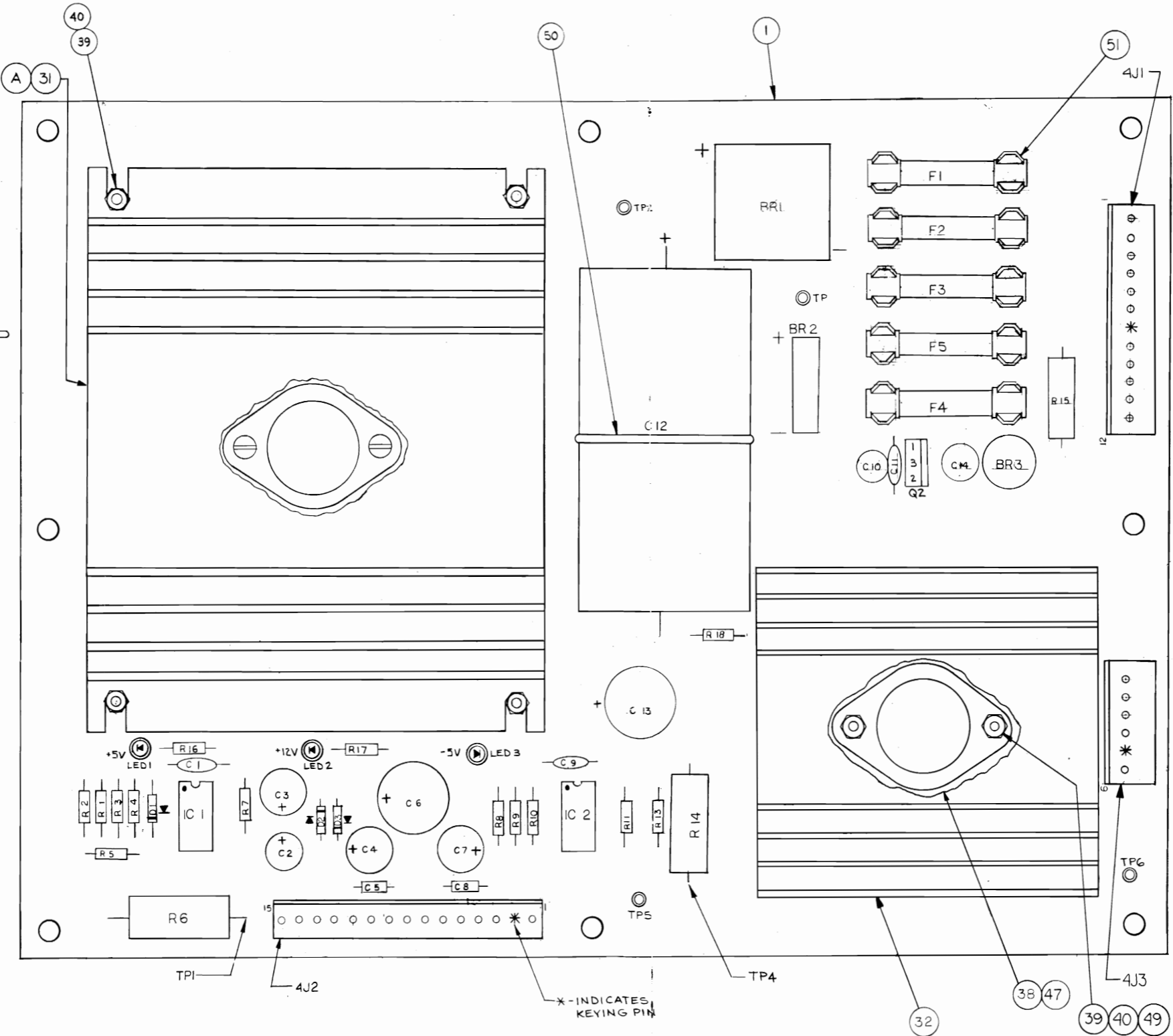


D8572 ROM Board Logic Diagram

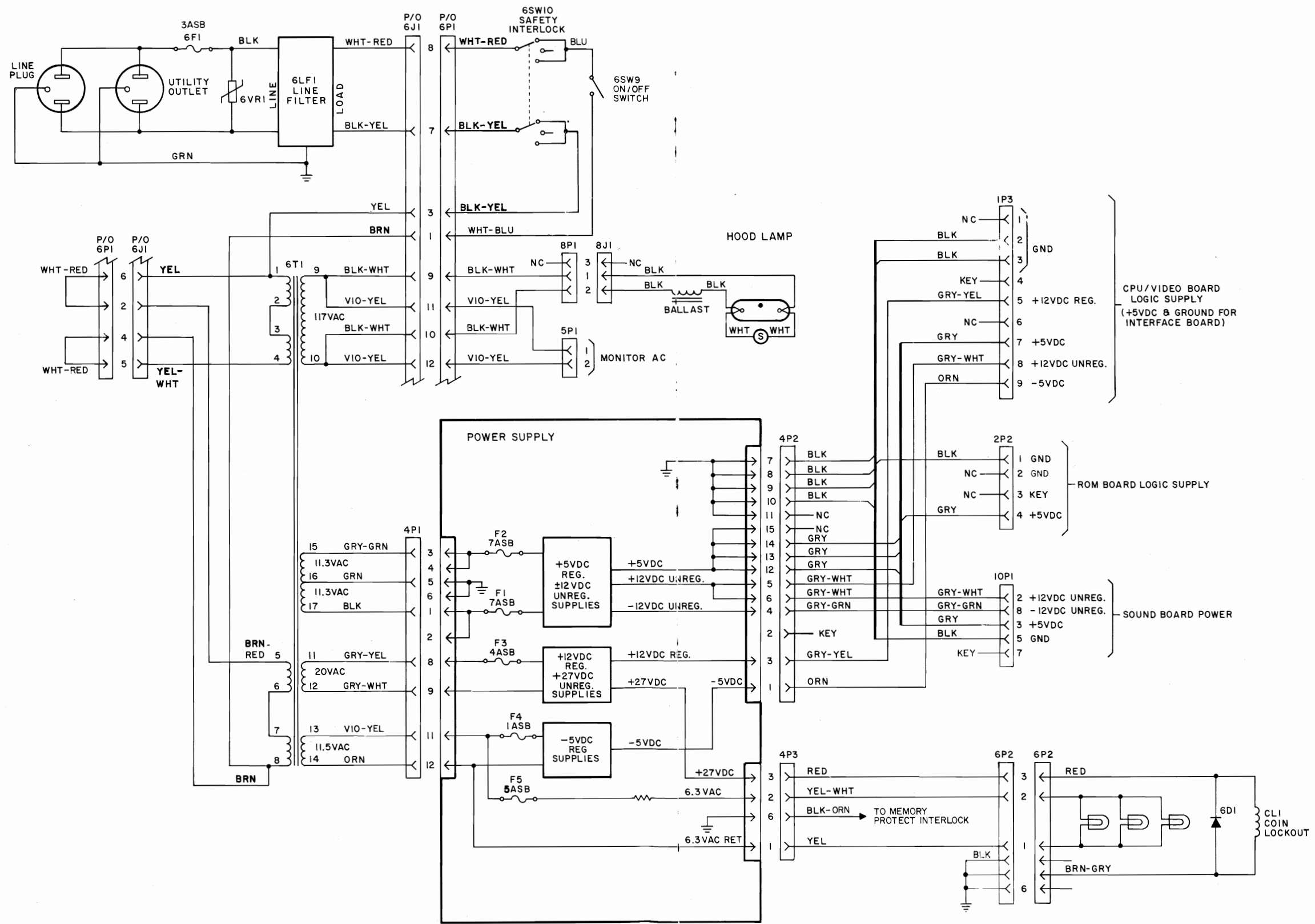


BILL OF MATERIAL			
ITEM NO	PART NO	DESCRIPTION	REQ'D NO.
1A	5162-09425-00	TRANSISTOR NPN 2N6057	1
2A	5700-09445-00	TRANSISTOR-SOCKET TO3	1
3A	5705-09431-00	HEAT SINK	1
4A	20-9729-00	THERMAL COMPOUND 1.5 OUNCE	1
5A	5701-09538-00	TO3 3 MIL. MICA INSULATOR	1
6A	4006-01003-8	MS-6-22x1/2-P-PH	2
7A	5853-09591-00	LEAD WIRE #18AWG 3/8 STRIPPED (GRN)	1
8A	5853-09592-00	LEAD WIRE #18AWG 3/8 STRIPPED (WHT)	1
9A	5853-09593-00	LEAD WIRE #18AWG 3/8 STRIPPED (YEL)	1

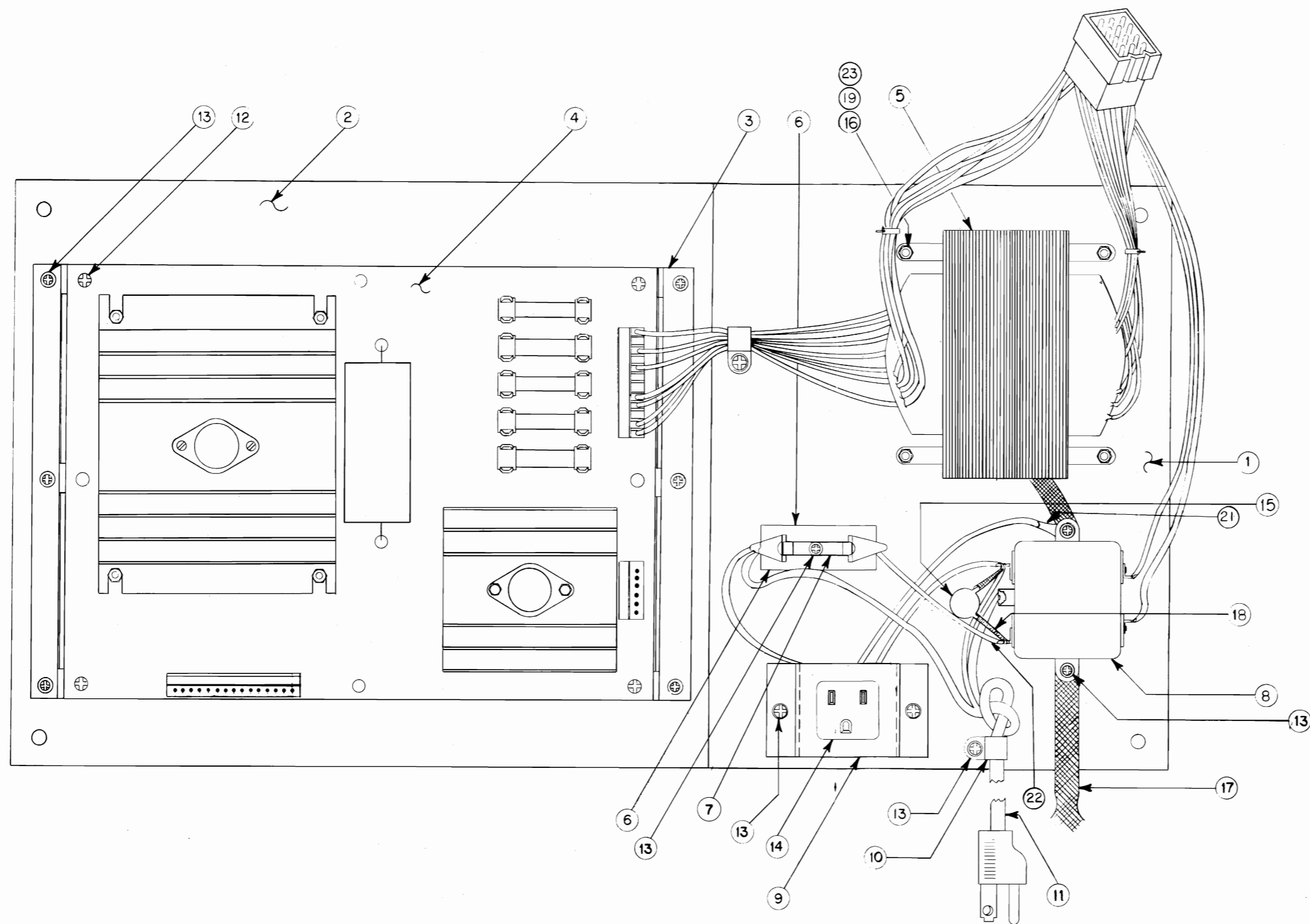
NOTES:
 HEAT SINK COMPOUND MUST BE APPLIED BETWEEN MICA INSULATOR AND HEAT SINK AND BETWEEN MICA INSULATOR AND TRANSISTOR.



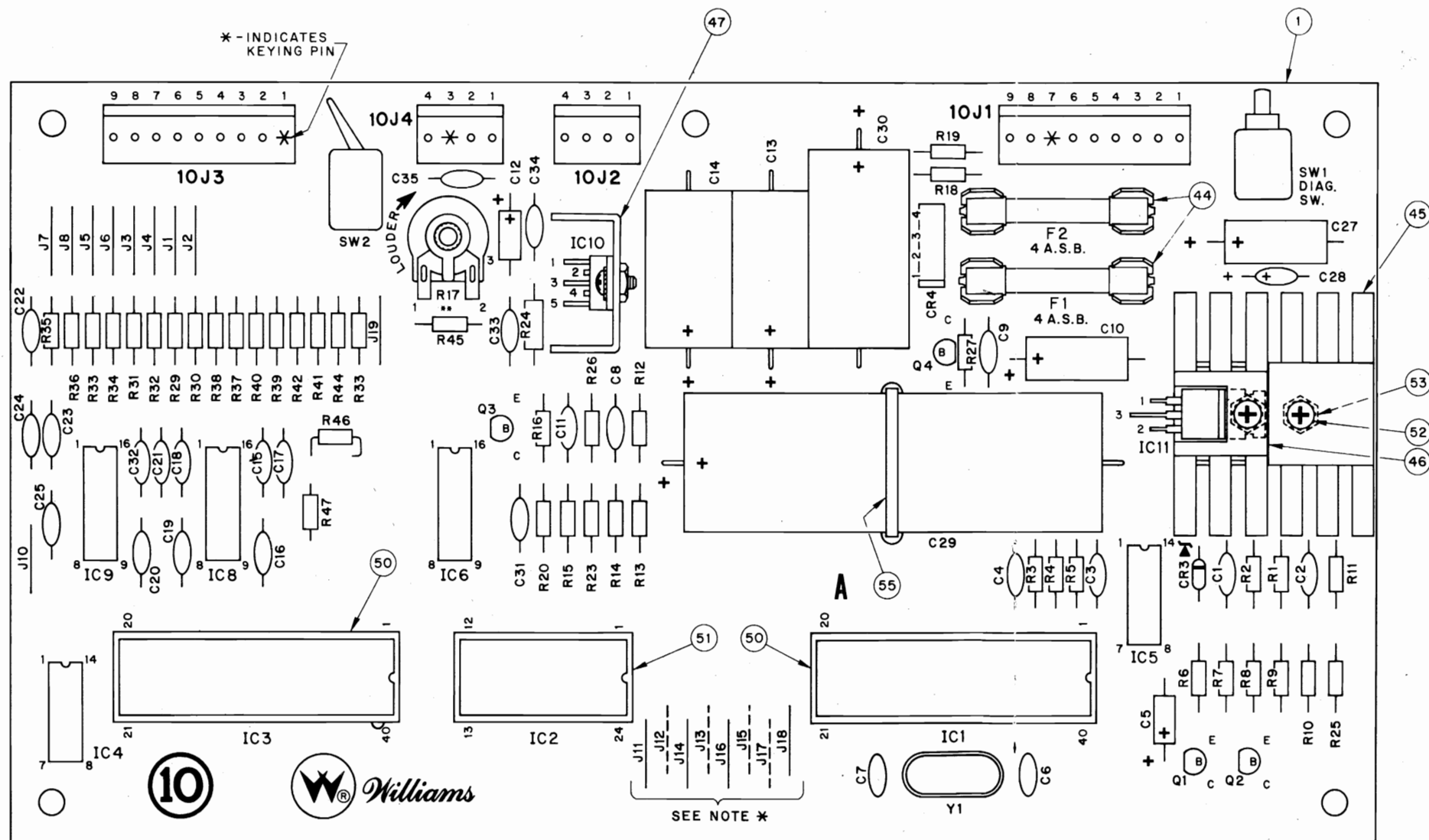
BILL OF MATERIAL				
ITEM NO	PART NO.	PART DESIGNATION	DESCRIPTION	REQ'D NO.
1	5173-09474-00	P.C. BOARD	BARE P.C. BOARD	1
2	5010-09085-00	R4	RESISTOR, 1.5K 5%, 1/4W	1
3	5010-09541-00	RB, R7	RESISTOR, 2.7K 2%, 1/4W	2
4	5010-09508-00	R5	RESISTOR, 270 2%, 1/4W	1
5	5010-09428-00	R3	RESISTOR, 1.5K, 2%, 1/4W	1
6	5010-09509-00	R11	RESISTOR, 1.1K 2%, 1/4W	1
7	5010-09510-00	R13	RESISTOR, 12K 2%, 1/4W	1
8	5013-09542-00	R10	RESISTOR, 732K 1%, 1/4W	1
9	5013-09427-00	R1 & R9	RESISTOR 499K 1%, 1/4W	2
10	5013-09426-00	R2	RESISTOR 2.15K 1%, 1/4W	1
11	5012-08429-00	R6	RESISTOR 12Ω, 5%, 5W	1
12	5012-09512-00	R14	RESISTOR 27 5%, 5W	1
13	5040-09421-00	C3 & C7	CAPACITOR, 100MFD, 25V. RADIAL +50% -10%	2
14	5040-09422-00	C2	CAPACITOR, 47MFD, 50V. RADIAL +50% -10%	1
15	5040-09420-00	C6	CAPACITOR, 1000MFD, 25V. RADIAL +50% -10%	1
16	5040-09419-00	C12	CAPACITOR, 18,000MFD, 20V. RADIAL +50% -10%	1
17	5040-09413-00	C4	CAPACITOR, 330MFD, 10V. RADIAL +50% -10%	1
18	5040-09504-00	C13	CAPACITOR, 4700MFD, 35V. RADIAL ±20%	1
19	5043-08996-00	C5, C8, C11	CAPACITOR, 1MFD, 50V. AXIAL ±5%	3
20	5043-09065-00	C1	CAPACITOR, 470 PFD, 50V. AXIAL ±5%	1
21	5043-09492-00	C9	CAPACITOR, 100 PFD 50V. AXIAL ±5%	1
22	5040-09506-00	C14	CAPACITOR, 220MFD, 16V. RADIAL +50% -10%	1
23	5040-09493-00	C10	CAPACITOR, 22MFD, 10V. RADIAL +50% -10%	1
24	5070-06258-00	D1, D2, D3	DIODE, IN4001	3
25	5100-09418-00	BR1	BRIDGE RECTIFIER 35AMP 100V	1
26	5100-09513-00	BR2	DIODE BRIDGE, 4.0A, 50V	1
27	5100-09514-00	BR3	DIODE BRIDGE 1.0A, 50V.	1
28	5731-09432-00	F1, F2	FUSE, 7A 5B	2
29	5731-06314-00	F3	FUSE, 4A, 5B., 250 V.	1
30	5731-06569-00	F4	FUSE, 1A, 5B	1
31	58416-00		HEAT SINK ASSEMBLY (SEE A)	1
32	5705-09543-00		HEAT SINK	1
33	5791-09074-00	4J2	HEADER, 15 PIN, 09-65-1151	1
34	5791-09043-00	4J1	HEADER, 12 PIN, 09-65-1121	1
35	5250-09515-00	Q2	VOLTAGE REGULATOR 7905	1
36	5460-09424-00	IC1, IC2	VOLTAGE REGULATOR 783	2
37	5824-09248-00	TP2, TP3, TP5, TP6	TERMINAL #1502-1 (TEST POST)	4
38	20-9729-00		THERMAL COMPOUND .02 OUNCE	AR
39	4005-01051-07		5-40x1/16 RH. MECH. SCREW	6
40	4405-01112-00		5-40 HEX NUT	6
41	5161-09552-00	Q1	2N3055 TRANSISTOR NPN	1
42	5731-09651-00	F5	FUSE, 5A, 5B	1
43	5791-09038-00	4J3	HEADER, 6 PIN, 09-65-1061	1
44	5012-09544-00	R15	RESISTOR, 2.0Ω, 5%, 5W	1
45	5010-09416-00	R16, R18	RESISTOR, 470Ω, 5%, 1/4W	2
46	5010-09314-00	R17	RESISTOR, 1.2K, 5%, 1/4W	1
47	5701-09538-00		INSULATOR, MICA, 3mil	1
48	5671-09019-00	LED1, LED2, LED3	LED, RED	3
49	03-7598		INSULATOR, NYLON	2
50	03-7520		TIE WRAP	1
51	5732-09178-00		FUSE HOLDER	10



BILL OF MATERIALS			
ITEM	PART N ^o	DESCRIPTION	QTY.
1	11-580	POWER SUPPLY MTG. BD.	1
2	01-7001	POWER SUPPLY GND PLATE	1
3	01-7002	POWER SUPPLY SUPPORT BRKT.	2
4	D-8359	POWER SUPPLY BOARD	1
5	C 8529	VIDEO TRANSFORMER ASSY	1
6	B-6448-1	FUSE MOUNT ASS'Y.	1
7	5731-08633-00	LINE FUSE 3AMP 115V	1
8	5102-08895-00	LINE FILTER 5A	1
9	01-6948-	OUTLET MTG BRACKET	1
10	03-6048-6	CABLE CLAMP- 3/8	2
11	SEE NOTE #2	LINE CORD	1
12	4006-01018-04	MS. #6-32 x 1/4 P-RH	4
13	4108-01022-08	SMS #8-32 x 1/2 P-RWH-A	13
14	5851-09184-00	3WIRE SNAP-IN OUTLET	1
15	SEE NOTE #1	VARISTOR	1
16	4408-01117-00	NUT 8-32 HEX	4
17	20-9223-3	6INCH BRAIDED GROUND WIRE	1
18	20-9256	1 INCH SLEEVING INSULATION	2
19	4703-00008-00	NO#8 EXTERNAL LOCK WASHER	4
20	5825-06523-00	TERMINAL LUG	1
21	5852-09575-00	BLACK 18 AWG JUMPER WIRE-25'	1
22	4008-01005-22	MS. 8-32 x 1 3/8 P-PH	4



NOTES:
 1. FOR 115V.A.C., 130V. VARISTOR # 5017-09044 IS USED.
 FOR 230V.A.C., A 275V VARISTOR # 5017-09063 IS USED.
 2. LINE CORD PART NUMBERS:
 5850-06206-00 12 FT. EUROPE
 5850-08728-00 U.S. DOM.
 5850-08737-00 AUS.
 5850-08743-00 U.S.L.A.
 5850-09128-00 12 FT. FRANCE
 5850-09131-00 AWG 18-12 JAPAN

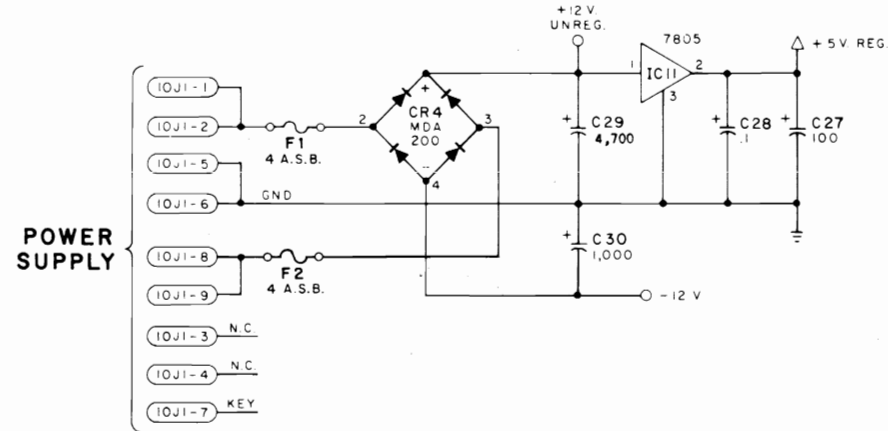


* NOTE:
 JUMPERS SHOWN WITH SOLID LINES CONNECTED FOR PROM OPERATION. THOSE SHOWN WITH DASHED LINES CONNECTED FOR ROM OPERATION.

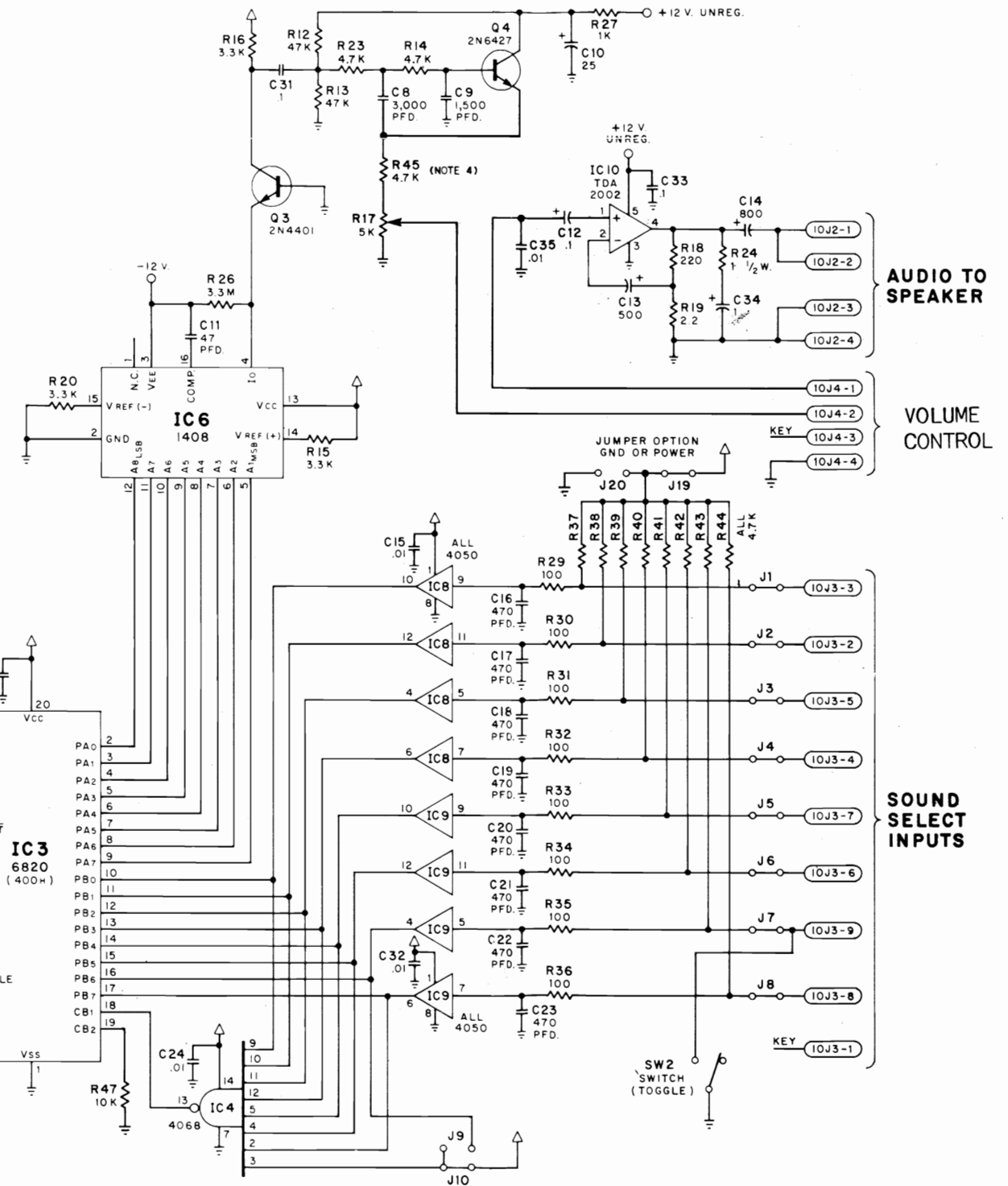
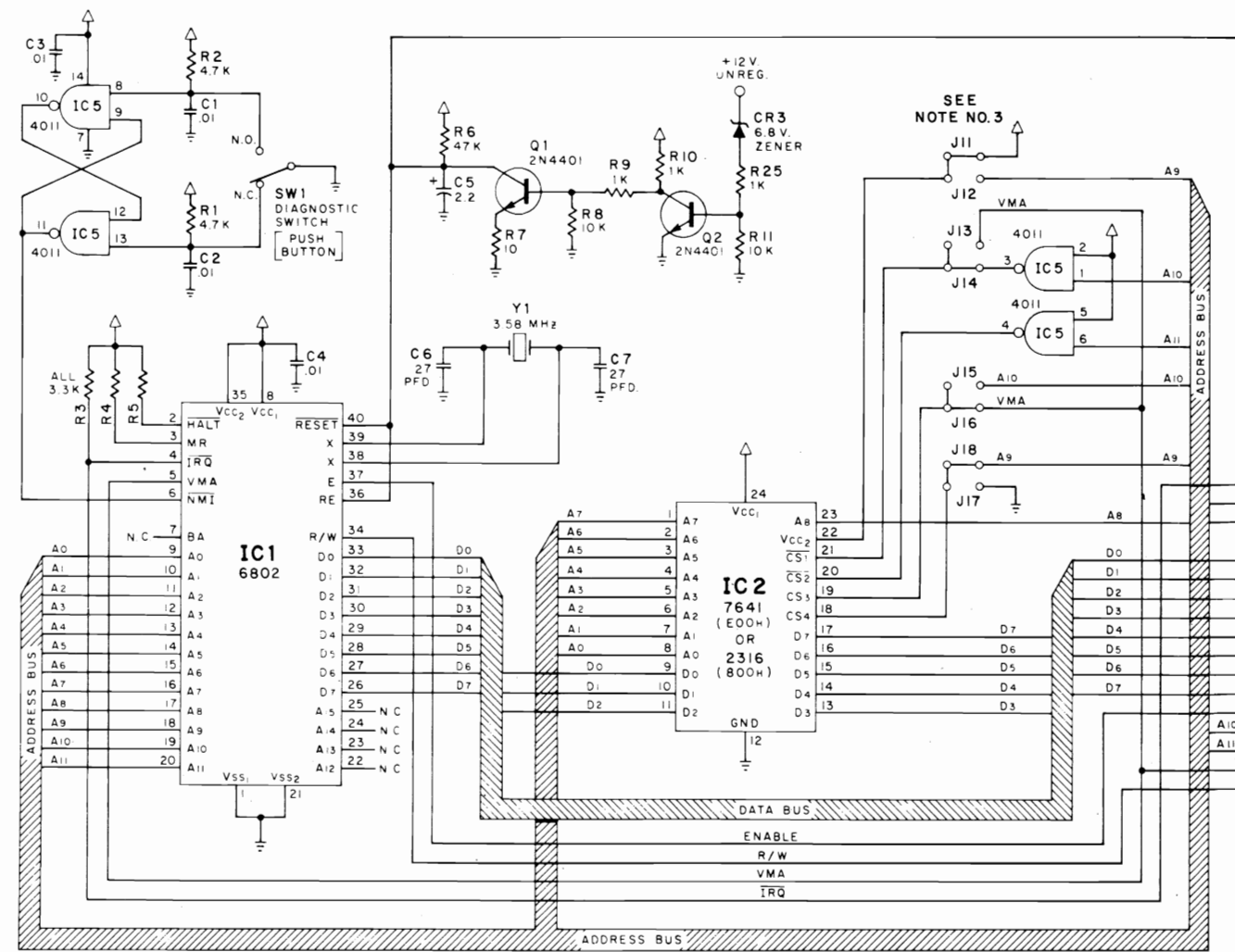
BILL OF MATERIAL

ITEM NO.	PART NO.	PART DESIGNATION	DESCRIPTION	REQ'D. NO.
1	1B-2001-137		BARE P.C. BOARD	1
2	5A-8972	IC3	MC6820 PIA	1
3	5A-9154	IC4	4068 8 INPUT NAND GATE	1
4	5A-9155	IC5	4011 QUAD 2 INPUT NAND GATE	1
5	5A-9152	IC6	MC1408 D/A CONVERTER	1
6	5A-9153	IC8, IC9	4050 BUFFER	2
7	5A-9156	IC10	TD2002V AUDIO AMPLIFIER	1
8	5A-9157	IC11	7805 5 VOLT REG. W/TO220 CASE	1
9	5C-8938	Q1, Q2, Q3	2N4401 NPN TRANSISTOR	3
10	5A-8976	Q4	2N6427 NPN TRANSISTOR	1
11	5A-9018	CR3	1N5996 6.8 V ZENER DIODE	1
12	5A-9158	CR4	MDA200/3N253 BRIDGE RECTIFIER	1
13	5B-8991	R1, R2, R14, R23, R37 THRU R45	RESISTOR, FC, 4.7 K OHM 10% 1/4 W	13
14	5B-8983	R3, R4, R5, R15, R16, R20	RESISTOR, FC, 3.3 K OHM 10% 1/4 W	6
15	5A-8984	R9, R10, R25, R27	RESISTOR, FC, 1 K OHM 10% 1/4 W	5
16	5B-9039	R7	RESISTOR, FC, 10 OHM 10% 1/4 W	1
17	5B-8817	R8, R11, R46, R47	RESISTOR, FC, 10 K OHM 10% 1/4 W	4
18	5B-9035	R6, R12, R13	RESISTOR, FC, 47 K OHM 10% 1/4 W	3
19	5A-9160	R18	RESISTOR, FC, 220 OHM 10% 1/4 W	1
20	5A-9161	R19	RESISTOR, FC, 2.2 OHM 10% 1/4 W	1
21	5A-9179	R26	RESISTOR, FC, 3.3 M OHM 10% 1/4 W	1
22	5B-9036	R29 THRU R36	RESISTOR, FC, 100 OHM 10% 1/4 W	8
23	5A-9181	R24	RESISTOR, FC, 1 OHM 10% 1/2 W	1
24	5A-9376	C29	CAPACITOR, ELECTROLYTIC, 1.4, 700 MFD. 16 V.	1
25	5A-8986	C27	CAPACITOR, ELECTROLYTIC, 100 MFD. 10 V.	1
26	5A-8893	C30	CAPACITOR, ELECTROLYTIC, 1,000 MFD. 25 V.	1
27	5A-9164 5A-9164-1	C13	CAPACITOR, ELECTROLYTIC, 500 MFD. 15 V. OR 470 MFD. 25 V.	1
28	5A-9165 5A-9165-1	C14	CAPACITOR, ELECTROLYTIC, 800 MFD. 16 V. OR 1,000 MFD. 15 V.	1
29	5A-9168 5A-9168-1	C10	CAPACITOR, ELECTROLYTIC, 25 MFD. 20 V. OR 33 MFD. 16 V.	1
30	5A-9031	C12	CAPACITOR, TANTALUM, 1 MFD. 25 V.	1
31	5A-9163	C5	CAPACITOR, TANTALUM, 2.2 MFD. 15 V.	1
32	5A-8980	C1 THRU C4, C15, C24, C25, C32, C35	CAPACITOR, CERAMIC, .01 MFD. 50 V.	9
33	5A-8996	C28, C31, C33, C34	CAPACITOR, CERAMIC, .1 MFD. 50 V.	4
34	5A-9169	C6, C7	CAPACITOR, CERAMIC DISC, 27 PFD. 1K V.	2
35	5A-9065	C16 THRU C23	CAPACITOR, CERAMIC DISC, 470 PFD. 50 V.	8
36	5A-9166	C9	CAPACITOR, CERAMIC DISC, .0015 MFD. 1K V.	1
37	5A-9167	C8	CAPACITOR, CERAMIC DISC, .003 MFD. 1K V.	1
38	5A-9180	C11	CAPACITOR, CERAMIC DISC, 47 PFD. 1K V.	1
**39	5A-9185	R17	POTENTIOMETER, 5K OHM	1
40	5A-9020	Y1	CRYSTAL, 3.58 MHZ.	1
41	5A-9024	SW1	MOMENTARY SWITCH SPDT	1
42	5A-9171	SW2	TOGGLE SWITCH SPDT	1
43	5A-6314	F1, F2	4 AMP. SLOW BLOW FUSE	2
44	5A-9178		FUSEHOLDER	4
45	5A-9172		HEAT SINK THERMALLOY #6072B	1
46	5A-9173		HEAT SINK THERMALLOY #6071B	1
47	5A-9199		HEAT SINK THERMALLOY #8030	1
48	5A-9027	10J1, 10J3	9 PIN MALE CONNECTOR	2
49	5A-9028	10J2, 10J4	4 PIN MALE CONNECTOR	2
50	5A-8985		40 PIN SOCKET	2
51	5A-9004		24 PIN SOCKET	1
52			6-32 X 3/8 BINDER HEAD SCREW	2
53			6-32 HEX. NUT	2
54		J1 THRU J8, J10, THRU J19	WIRE JUMPER 22 GAUGE WIRE WITH INSULATION	18
55	3A-7520-1		TIE WRAP	1
56	5A-9150	IC1	MC6802 MICROPROCESSOR	1
57	5A-9264	IC2	VIDEO SOUND ROM 1	1

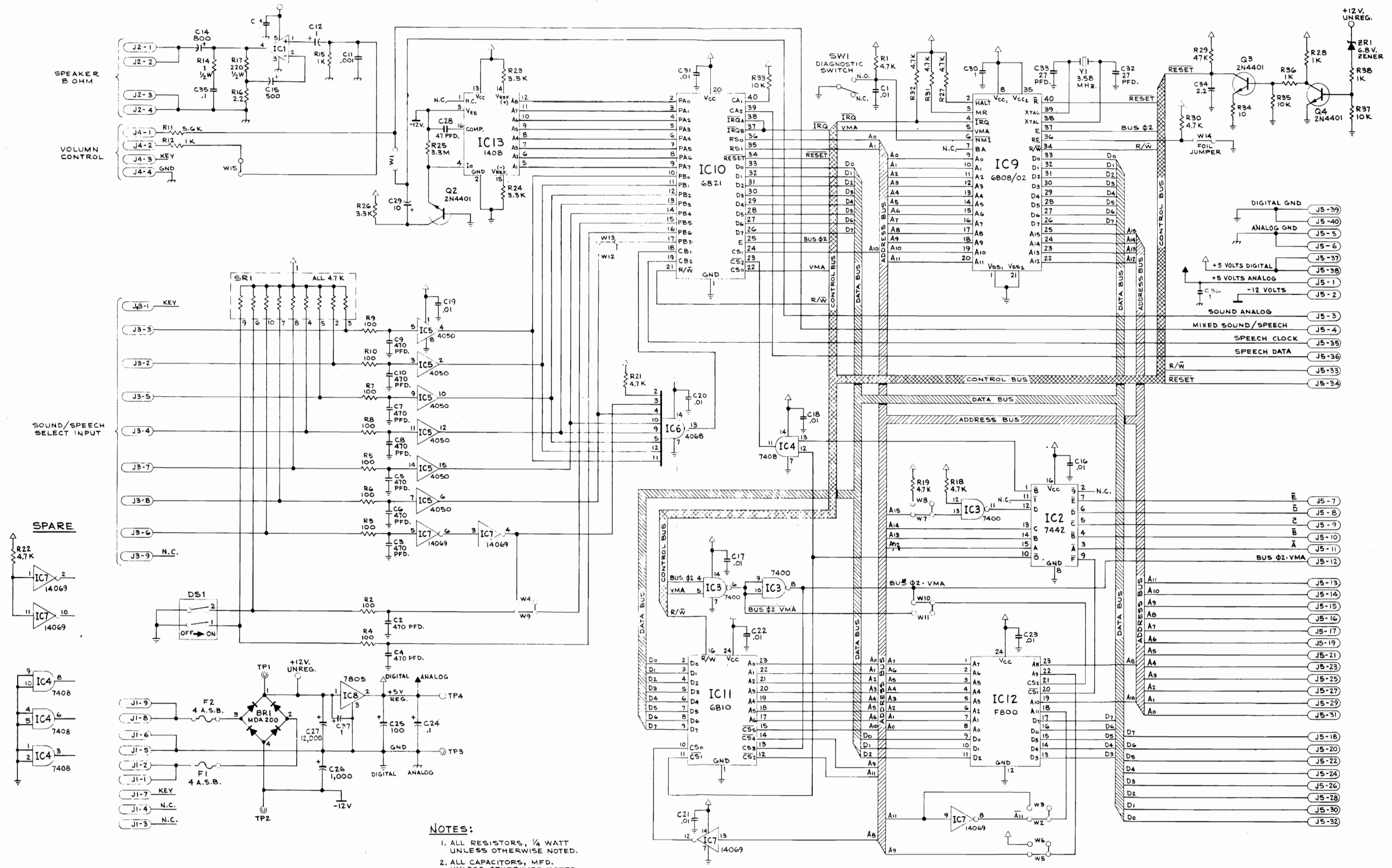
**ON MOST BOARDS, R17 IS REMOVED AND A JUMPER CONNECTED BETWEEN TERMINALS 1 AND 2.



- NOTES:**
1. UNLESS OTHERWISE INDICATED ALL RESISTORS IN OHMS, 1/4 WATT.
 2. UNLESS OTHERWISE INDICATED ALL CAPACITORS ARE IN MICROFARADS.
 3. J11, J14, J16, AND J18 ARE REMOVED AND J12, J13, J15, AND J17 ARE CONNECTED.
 4. ON MOST BOARDS R17 IS REMOVED AND R45 IS CONNECTED THROUGH A JUMPER TO 10J4-2.



D8121 Sound Board Logic Diagram



NOTES:
 1. ALL RESISTORS, 1/4 WATT UNLESS OTHERWISE NOTED.
 2. ALL CAPACITORS, MFD. UNLESS OTHERWISE NOTED.

