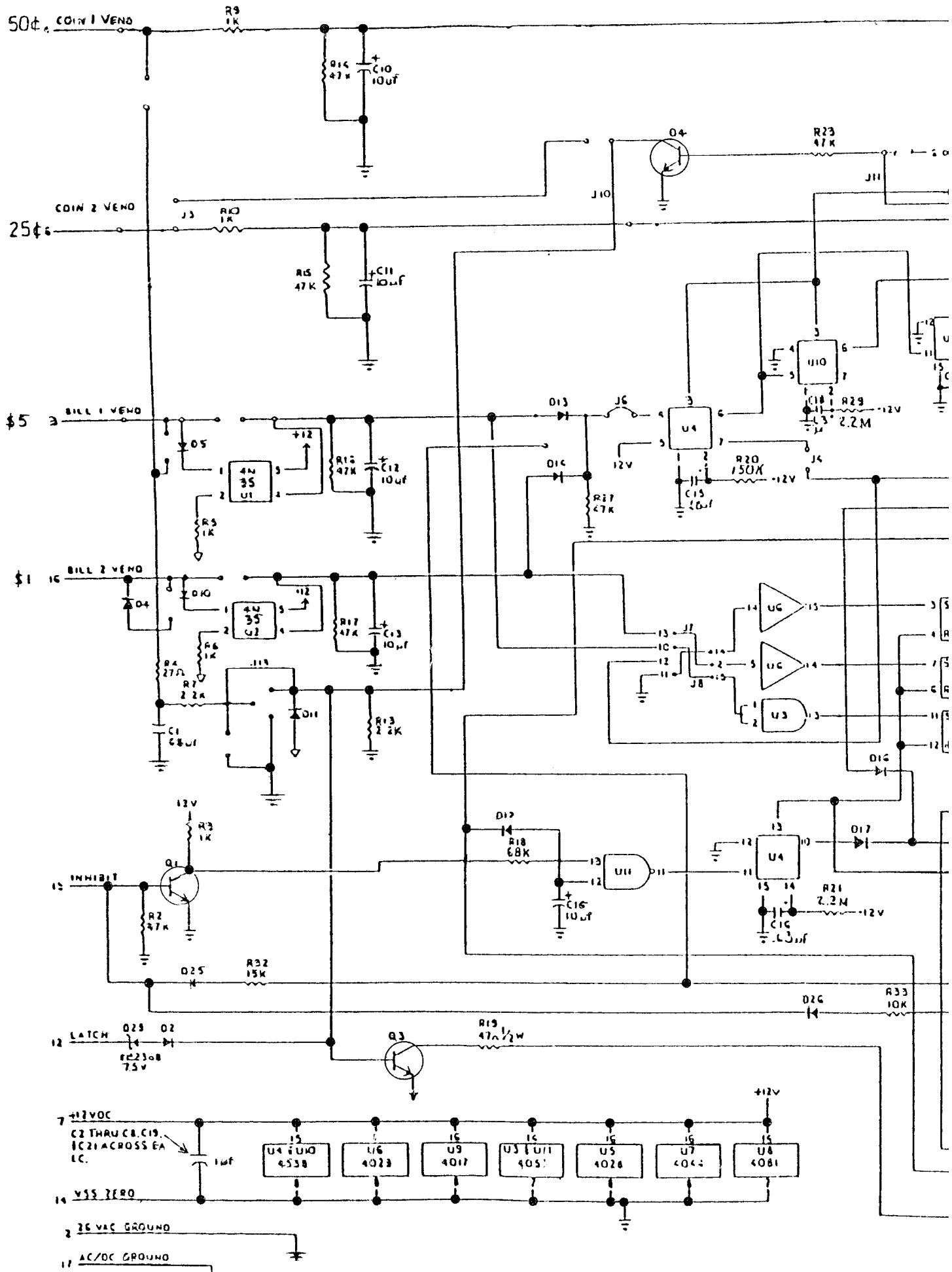


<u>ITEM NUMBER</u>	<u>PART NUMBER</u>	<u>DESCRIPTION</u>
C1	53x64	Capacitor, .68uf electrolytic
C2, C3, C4, C5, C6, C7, C8, C19	53x77	Capacitor, .1uf
C10, C11, C12, C13, C14, C17	53x32	Capacitor, .10uf tantalum
C15, C16, C18, C20	53x39	Capacitor, .68uf tantalum
R2, R14, R15, R16, R17, R23, R27, R28, R30	54x159-473	Resistor, $\frac{1}{4}$ W 5% 47k ohm
R3, R5, R6, R9, R10, R24	54x159-102	Resistor, $\frac{1}{2}$ W 5% 1k ohm
R4	54x159-270	Resistor, $\frac{1}{4}$ W 5% 27 ohm
R7, R13	54x159-222	Resistor, $\frac{1}{4}$ W 5% 2.2k ohm
R18	54x159-683	Resistor, $\frac{1}{4}$ W 5% 68k ohm
R19	54x161-470	Resistor, $\frac{1}{2}$ W 5% 47 ohm
R20	54x159-154	Resistor, $\frac{1}{4}$ W 5% 150k ohm
R21, R29	54x159-225	Resistor, $\frac{1}{2}$ W 5% 2.2M ohm
R25, R26	54x159-274	Resistor, $\frac{1}{4}$ W 5% 270k ohm
R32	54x131-1502	Resistor, $\frac{1}{8}$ W 1% 15.0k ohm
R33	54x159-103	Resistor, $\frac{1}{4}$ W 5% 10k ohm
D2, D4, D9, D10, D11, D12, D13, D14, D16, D17, D19, D20, D21, D22, D23, D25, D26	56x53	Diode, signal 1n4148
Q1, Q3, Q4, Q5	56x17	Transistor, 2N4401
U1, U2	56x140	Opto-isolator 4N35
U3, U11	56x109	IC, 4093
U4, U10	56x269	IC, 4538 dual timer
U6	56x73	IC, 4049 inverter-driver
U7	56x121	IC, 4044 3 state R/S latch
U8	56x122	IC, 4091 2 input AND gate
U9	56x110	IC, 4017 counter
D28	56x186	Zener, 7.5v 1N5236B

Schematic, Interface Card For \$1 & \$5 and Coin Acceptor



Schematic, Interface Card For \$1 & \$5 and Coin Acceptor

COIN 1
VEND 3

