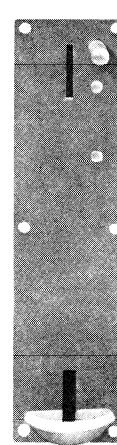




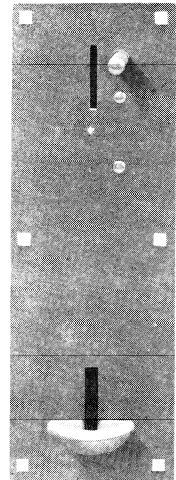
# coinco®

## 2600 and 2608 SERIES SINGLE COIN FRONTPLATE

OVERALL DIMENSIONS	2600	2608
Height .....	7-11/16"	8-11/16"
Width .....	2"	3"
Depth .....	3-11/16"	3-11/16"
Recommended Cabinet Opening		
Height .....	7-1/4"	7-1/4"
Width .....	1-1/4"	1-1/4"
Shipping Weight .....	1 lb.	1-1/2 lb.
Mounting Holes .....	1/8" diameter	3/16" square

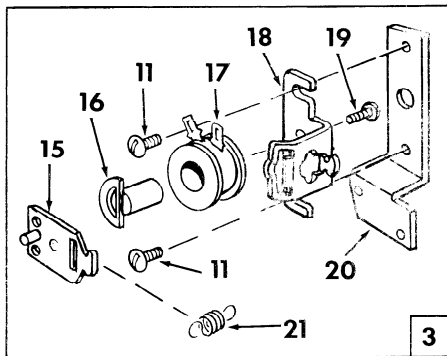


2600  
(Narrow)

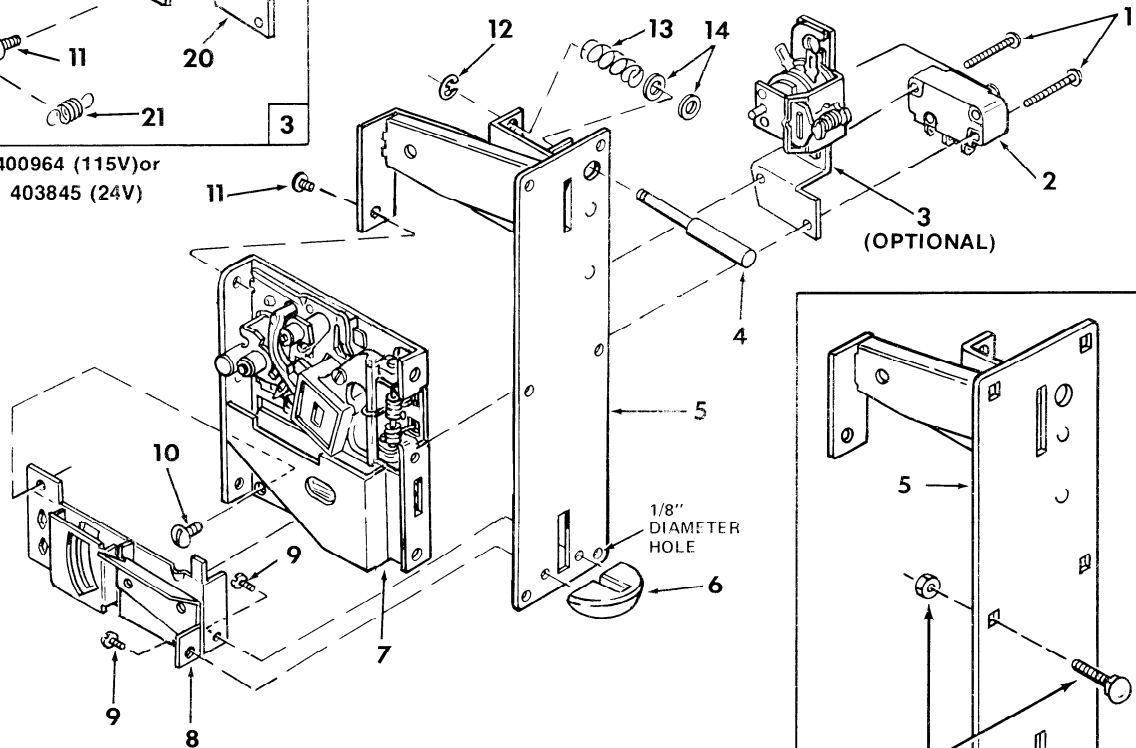


2608  
(Wide)

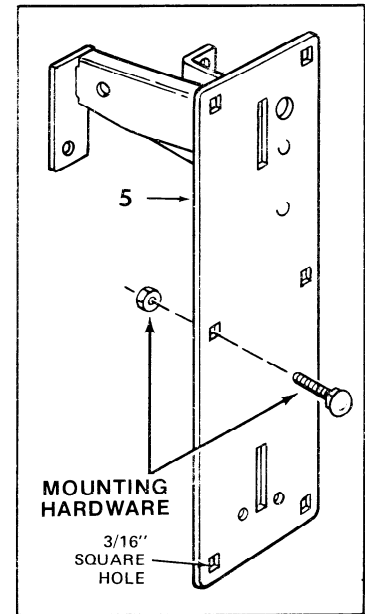
### C.R.E.M. AND BRACKET ASSEMBLY (OPTIONAL)



400964 (115V) or  
403845 (24V)



**EXPLODED VIEW**  
(See reverse side for Parts List)



2608 FRONTPLATE

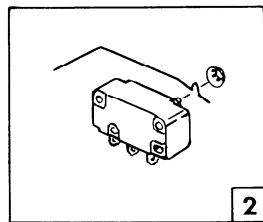
# PARTS LIST FOR 2600 and 2608 SERIES SINGLE COIN FRONTPLATE

ITEM NO.	PART NO.	DESCRIPTION
1.	901056	Switch Screw
	901056-1	Switch Screw (with Optional Style)
2.	*403901	25¢ Coin Switch & Wire Assembly
	†400960-2	10¢ Coin Switch & Wire Assembly
	■400960-1	5¢ Coin Switch & Wire Assembly
3.	400964	C.R.E.M. & Bracket Assembly (115VAC) (Optional)
	403845	C.R.E.M. & Bracket Assembly (24VAC) (Optional)
4.	901460	Coin Return Plunger
5.	400962-2	25¢ Frontplate & Chute Assembly (Narrow)
	400962-4	25¢ Frontplate & Chute Assembly (Wide)
6.	902977	Return Coin Catcher
7.	563-0	25¢ U.S. Coins Only (Metal Acceptor)
	5301-0	25¢ U.S. Canadian Coins (Noryl Acceptor)

ITEM NO.	PART NO.	DESCRIPTION
8.	403976	Switch Bracket & Reject Chute Assembly
9.	345-4-8	No. 4 x 1/2 Pan Hd. Screw Plastite
10.	110-8-3	No. 8-32 x 3/16 Truss Hd. Screw
11.	110-6-2	No. 6-32 x 1/8 Truss Hd. Screw
12.	751S18	Retaining Ring
13.	902015	Plunger Return Spring
14.	902556	Plunger Spacer
15.	405151	EM-Armature & Pin Assembly
16.	400635	Core & Ring Assembly
17.	900827	Coil (115VAC)
	950497	Coil (24VAC)
18.	900691	Frame
19.	108B5-4	Brass Binding Hd. Screw
20.	901459	Coil Bracket
21.	900693	EM-Armature Spring

### MOUNTING HARDWARE INCLUDED WITH WIDE PLATE ONLY

902809	Carriage Bolt (2608)	..... 6
406-10	Hex Nut (2608 only)	..... 6



COIN SWITCH ASSEMBLY

#### \*403901

900670-6	Switch
900651	Switch Wire Retainer
901489	25¢ Switch Wire

#### †400960-2

900670-1	Switch
901489-2	10¢ Switch Wire
900651	Switch Wire Retainer

#### ■400960-1

900670-1	Switch
901489-1	5¢ Switch Wire
900651	Switch Wire Retainer

#### NOTE:

**EXACT** model number of frontplate or coin door (EXAMPLE: 2605-6321; 2602-6300, etc.)  
**MUST** accompany phone or written **ORDERS** for replacement parts. This is due to some variation in parts from those commonly used in the 2600/2608 Series.



**COIN ACCEPTORS, INC.**  
300 HUNTER AVENUE  
ST. LOUIS, MISSOURI 63105  
800-325-2646

**COIN ACCEPTORS, CANADA**  
868 PROGRESS AVE.  
SCARBOROUGH (TORONTO), ONTARIO M1H 2X7  
416-438-6314

When ordering this publication,  
use only the six-digit number.